



US00D705104S

(12) **United States Design Patent**
McKinney et al.

(10) **Patent No.:** **US D705,104 S**

(45) **Date of Patent:** **** May 20, 2014**

(54) **ALARM UNIT**

5,281,878 A * 1/1994 Schaeffer 310/91
D369,566 S * 5/1996 Poon D10/106.2
5,915,580 A * 6/1999 Melk 215/386

(71) Applicant: **InVue Security Products Inc.**,
Charlotte, NC (US)

OTHER PUBLICATIONS

(72) Inventors: **Larry T. McKinney**, Huntersville, NC
(US); **Jeffrey A. Grant**, Charlotte, NC
(US); **Robert Schultz**, Charlotte, NC
(US)

Multiplex J-Plug Brochure, 2012 (available at http://security.multiplex.com/pdf/Multiplex_J-Plugs_Brochure_2012_EF.pdf).

* cited by examiner

(73) Assignee: **InVue Security Products Inc.**,
Charlotte, NC (US)

Primary Examiner — George D Kirschbaum

(74) *Attorney, Agent, or Firm* — InVue Security Products
Inc.

(**) Term: **14 Years**

(57) **CLAIM**

We claim the ornamental design for an alarm unit, as shown
and described.

(21) Appl. No.: **29/457,657**

(22) Filed: **Jun. 12, 2013**

DESCRIPTION

(51) **LOC (10) Cl.** **10-05**

(52) **U.S. Cl.**
USPC **D10/106.1**

(58) **Field of Classification Search**
USPC D10/106.1–106.5, 104.1, 106.9;
340/521, 540–545, 555, 558, 571–573
See application file for complete search history.

FIG. 1 is a perspective view of an alarm unit showing our
design;
FIG. 2 is a left side view thereof;
FIG. 3 is a front view thereof;
FIG. 4 is right side view thereof;
FIG. 5 is top view thereof;
FIG. 6 is a rear view thereof; and,
FIG. 7 is a bottom view thereof.

The broken lines depict unclaimed environmental subject
matter.

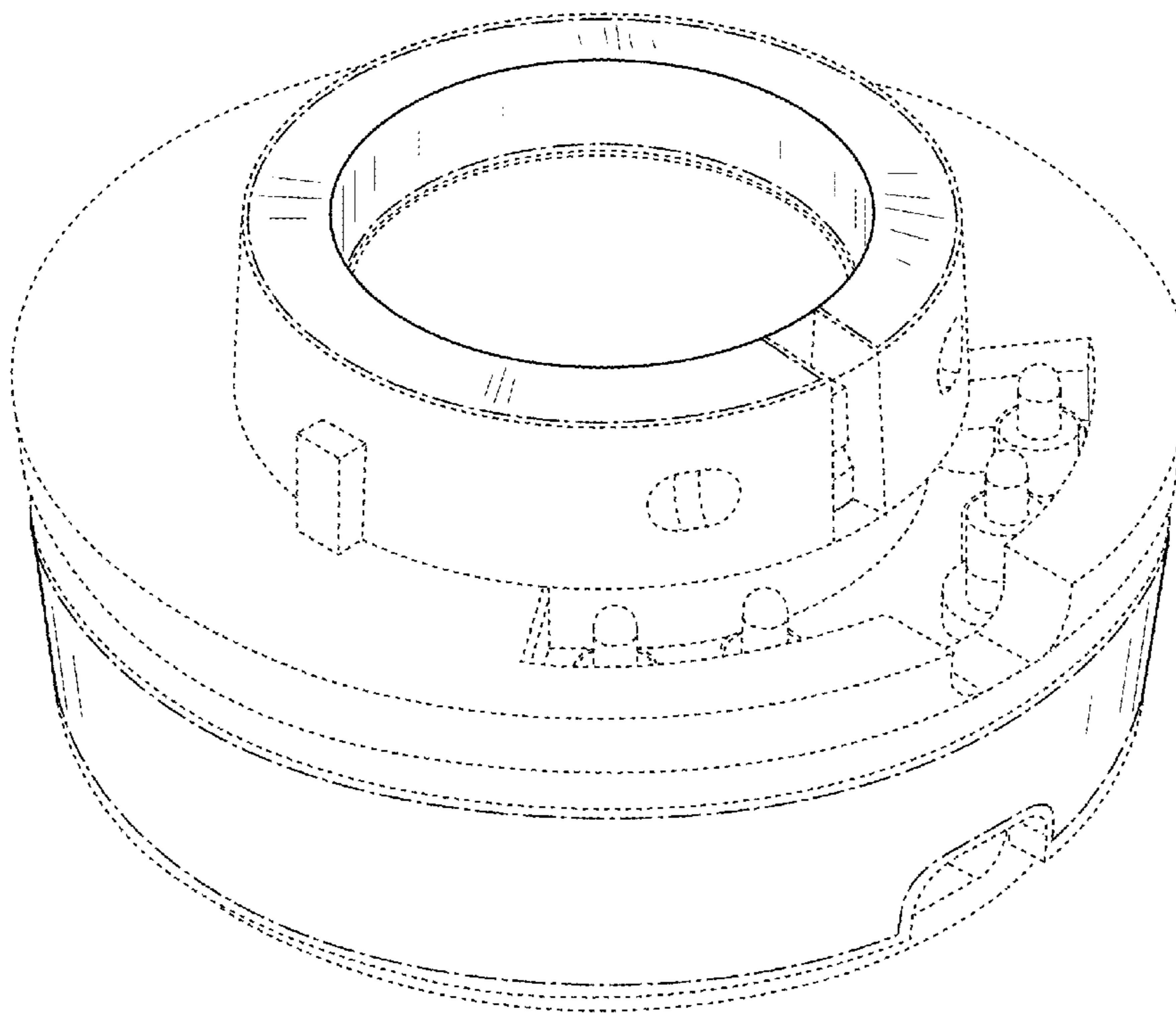
The dot-dash lines illustrate the boundary of the claimed
design.

(56) **References Cited**

U.S. PATENT DOCUMENTS

D226,508 S * 3/1973 Gilson D10/106.4
D253,753 S * 12/1979 Poesl D10/106.2
D308,646 S * 6/1990 Grilk D10/81

1 Claim, 7 Drawing Sheets



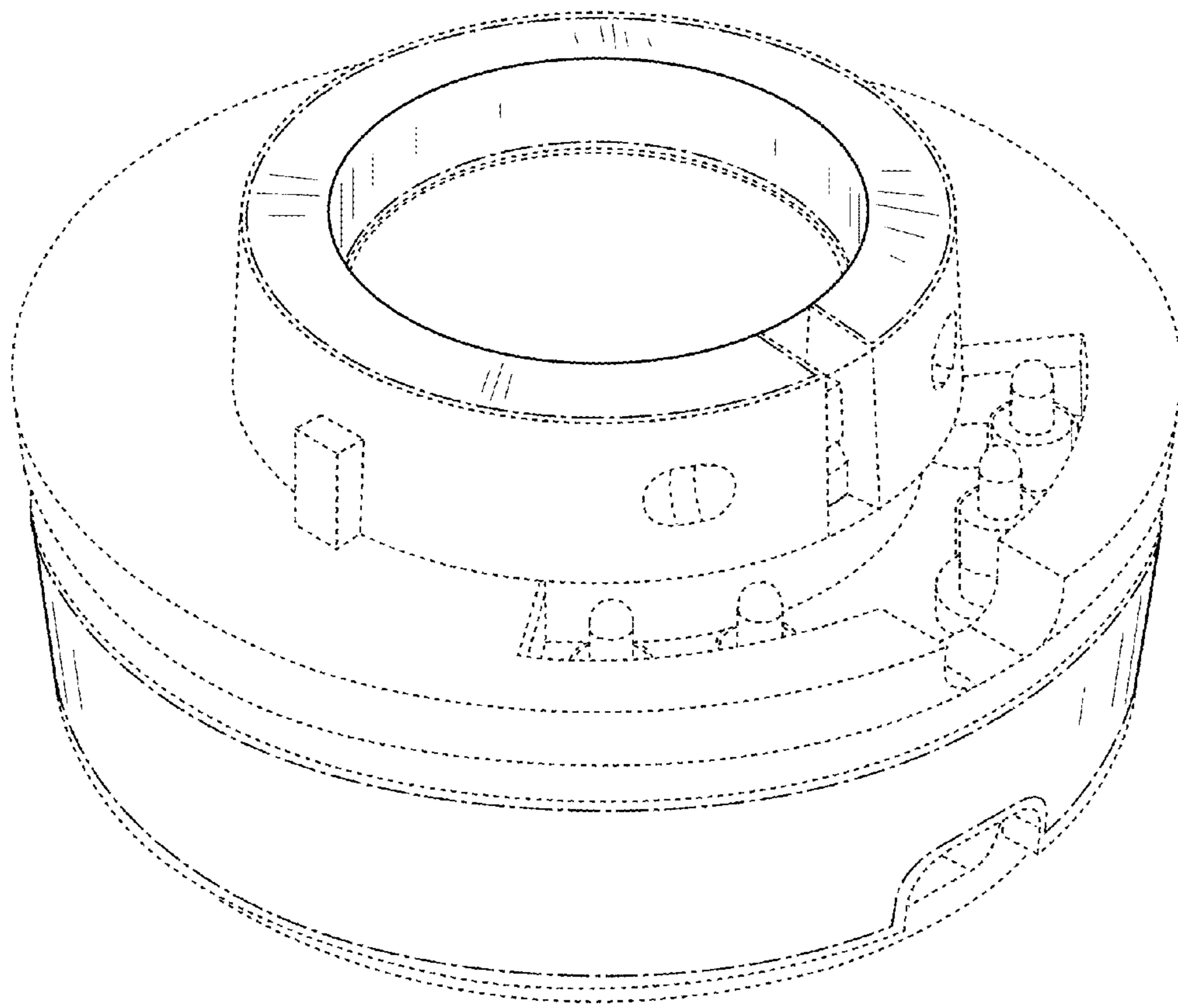


FIG. 1

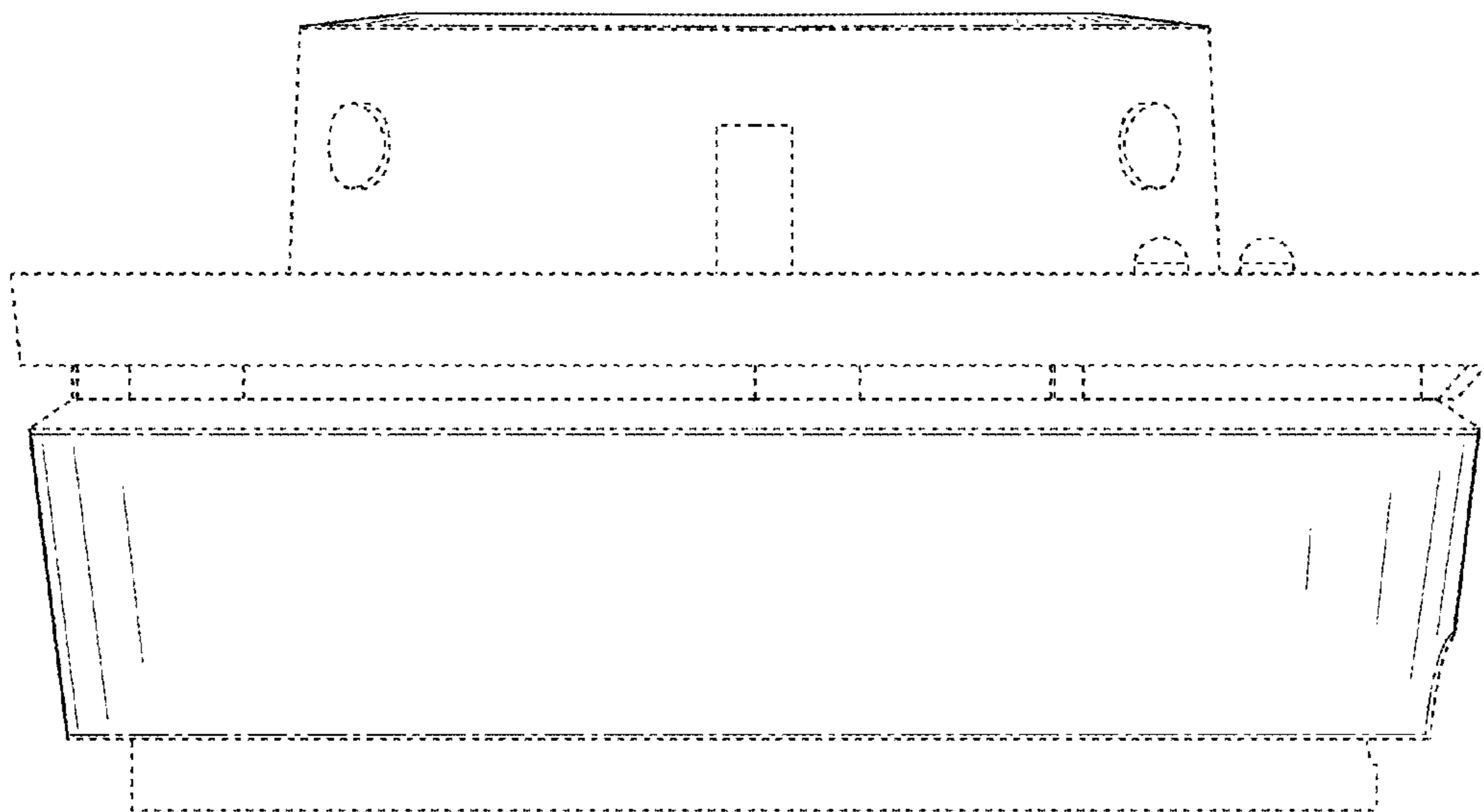


FIG. 2

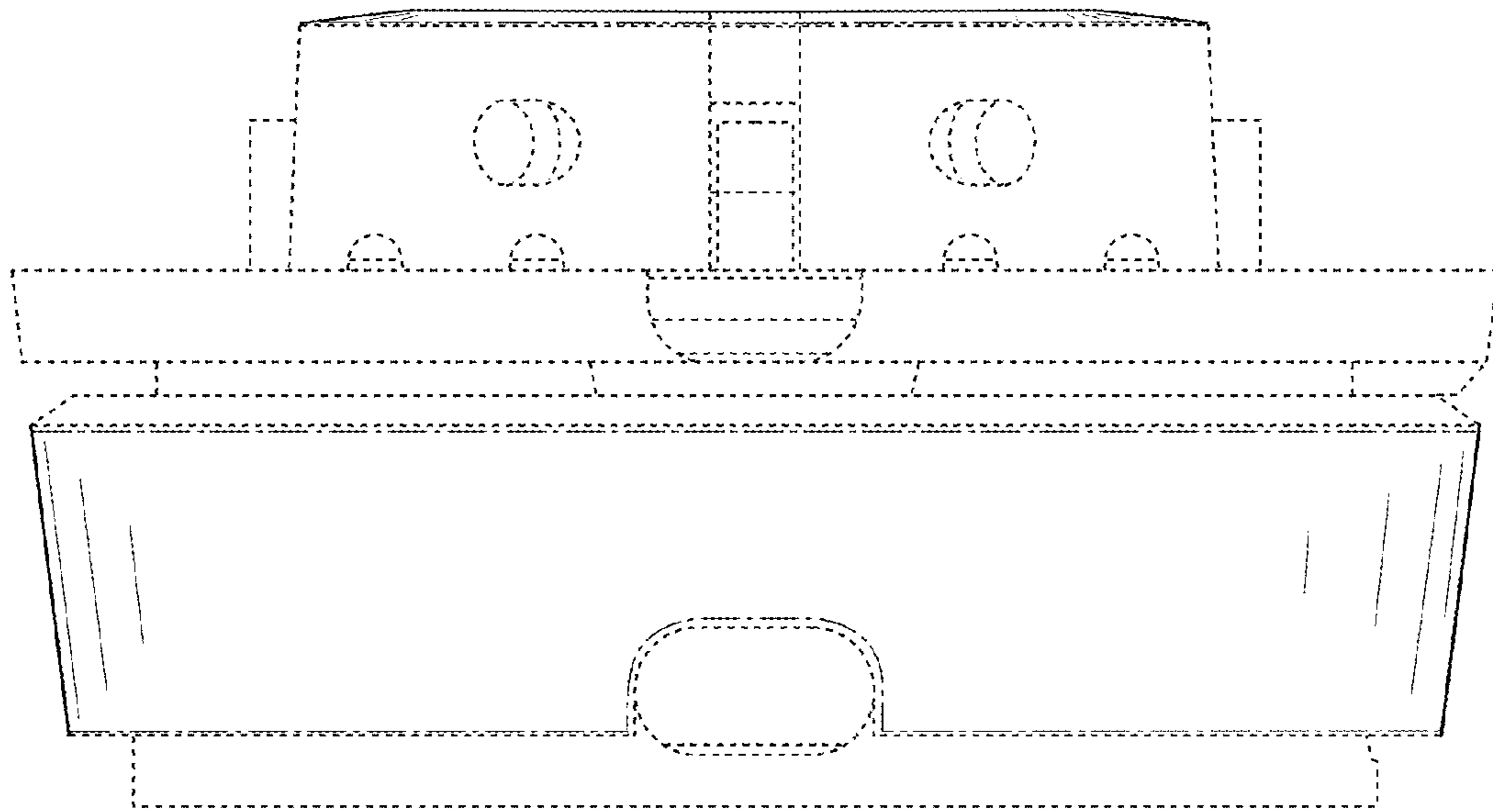


FIG. 3

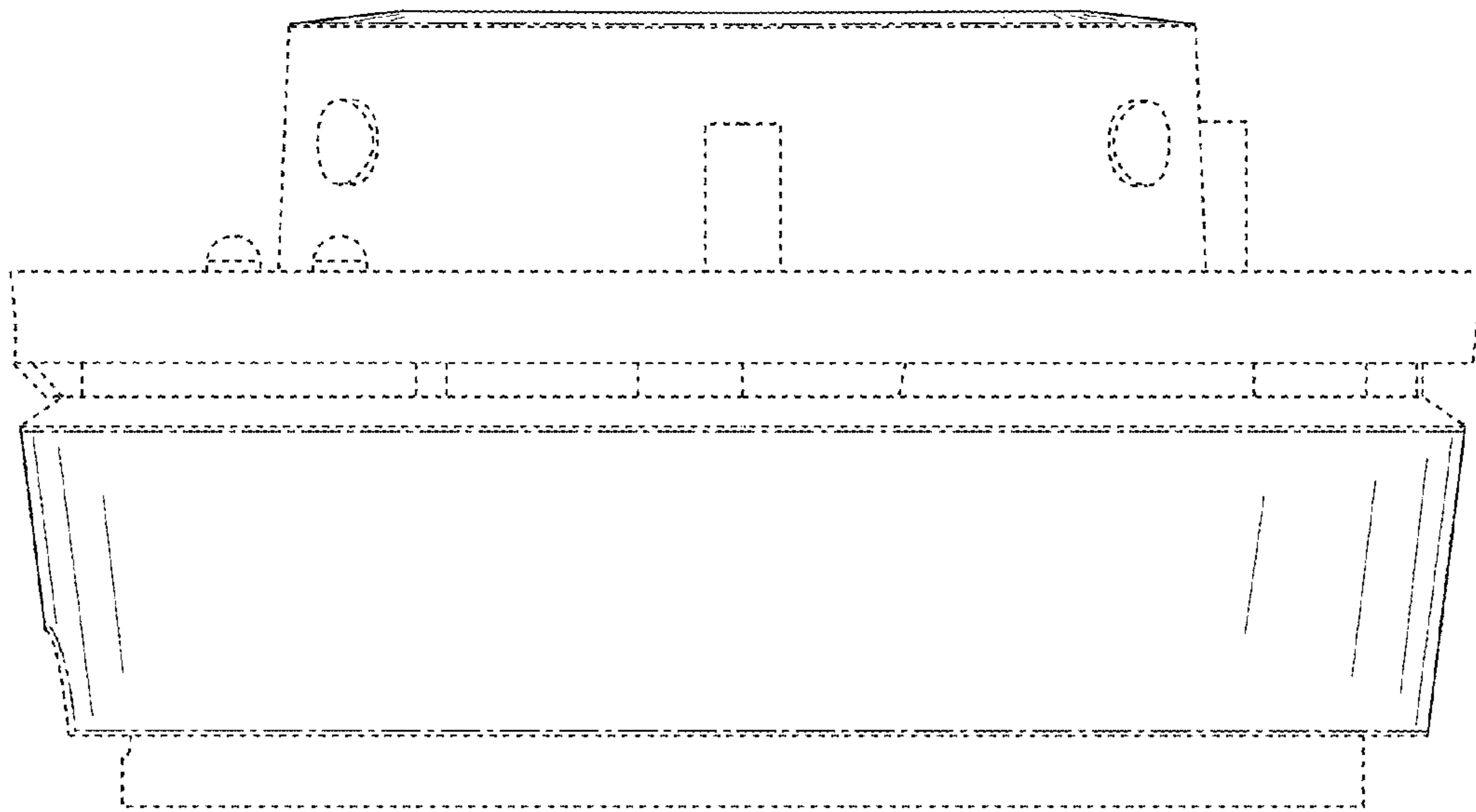


FIG. 4

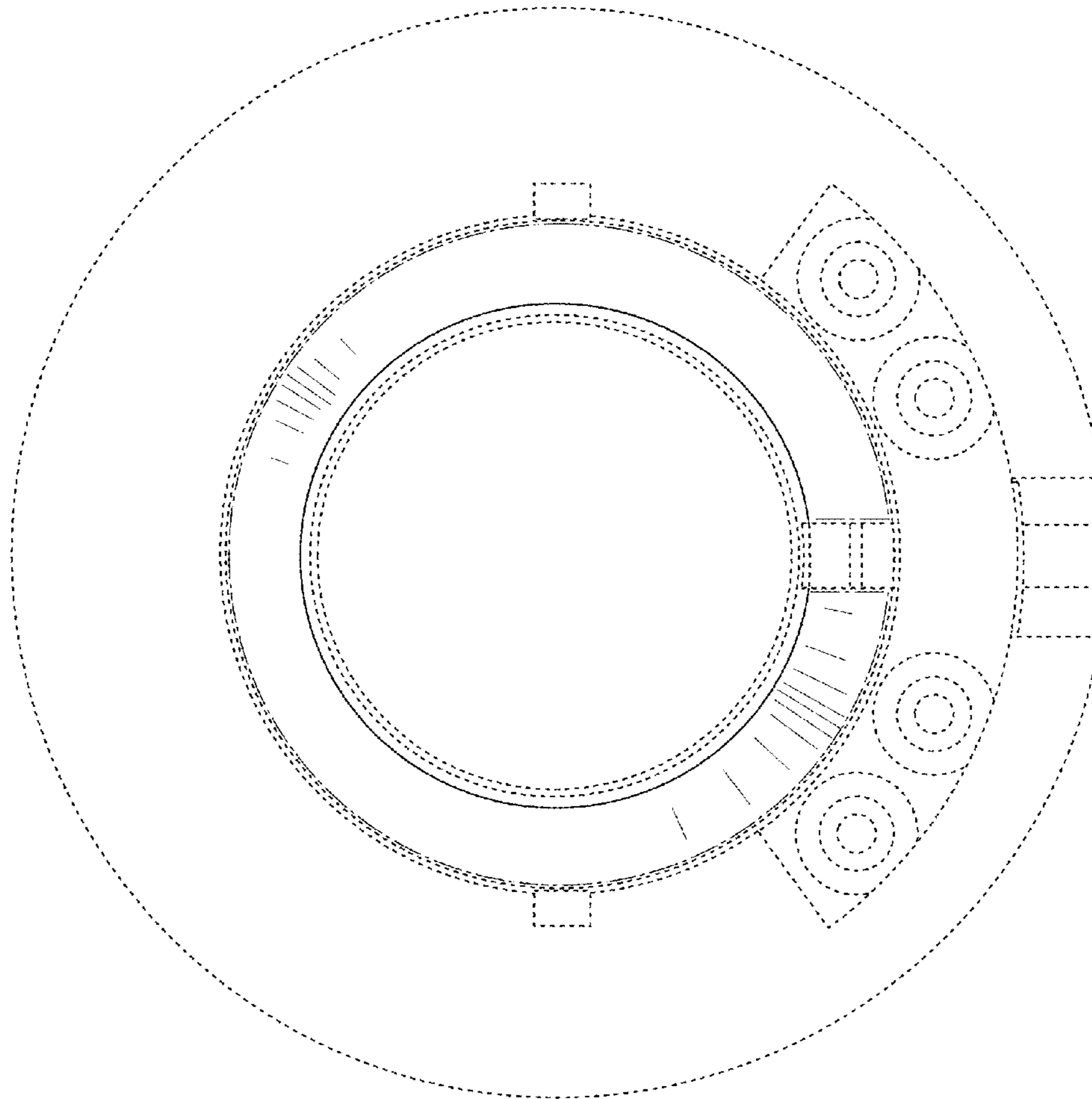


FIG. 5

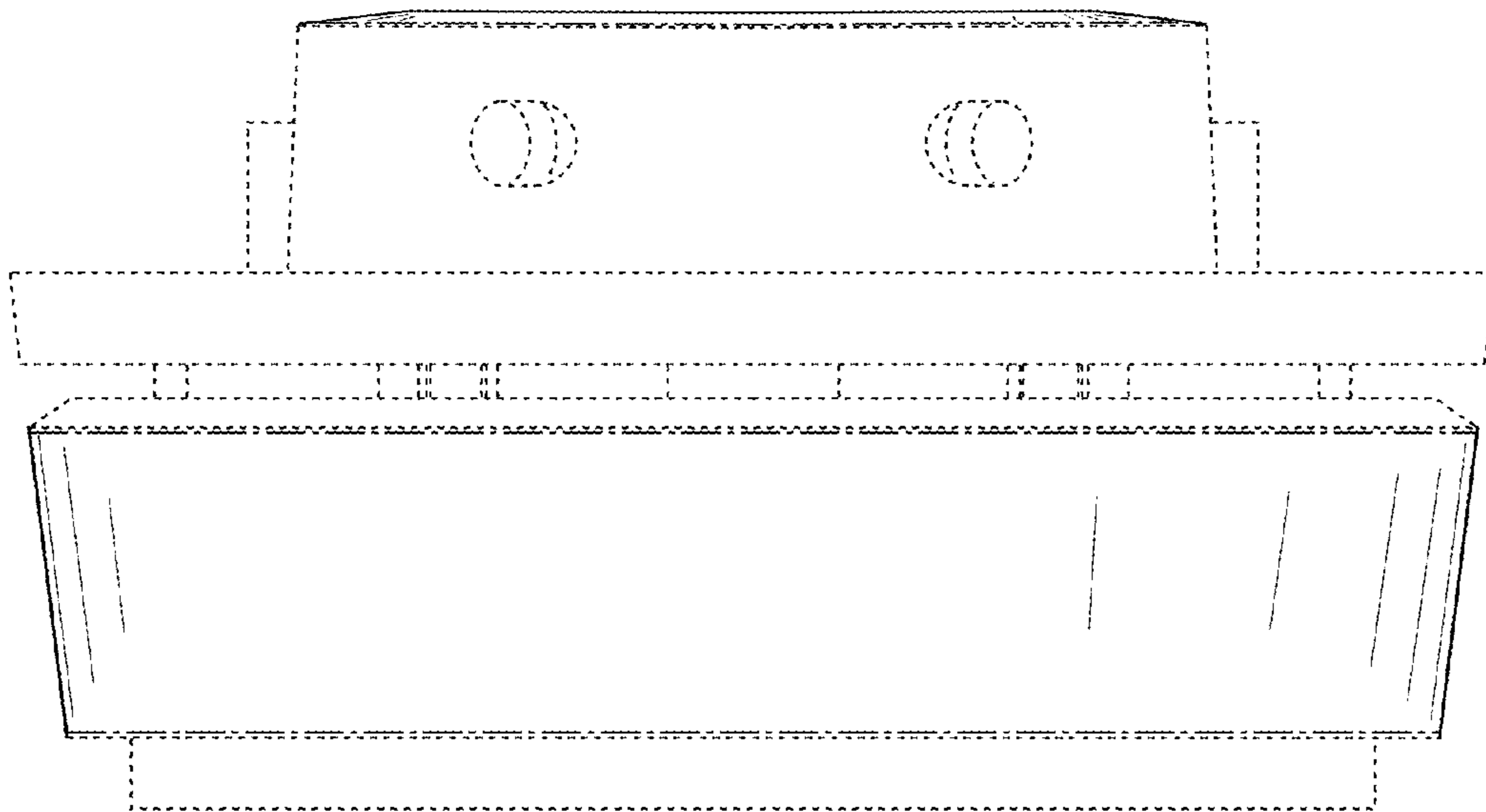


FIG. 6

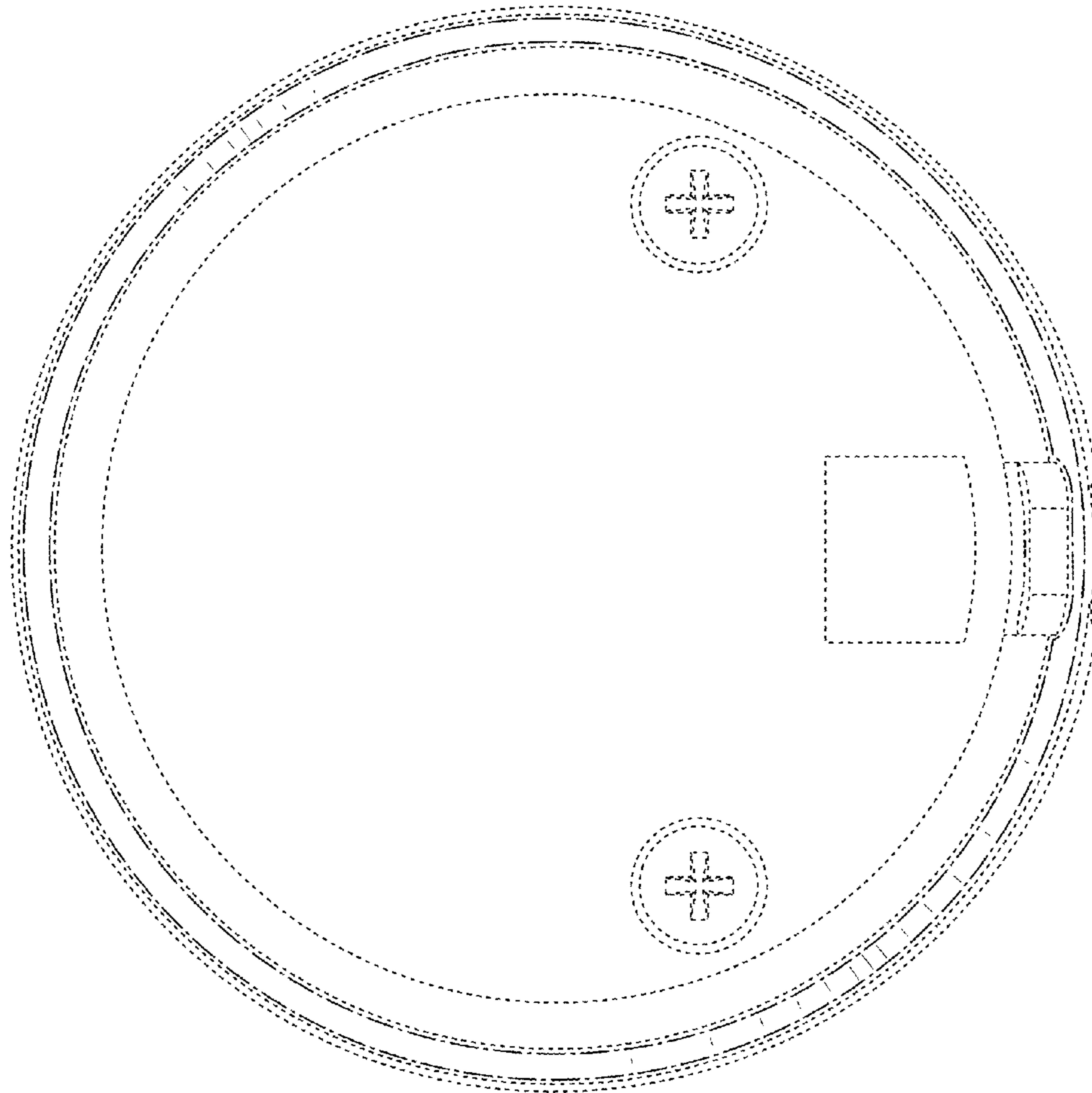


FIG. 7