



US00D705101S

(12) **United States Design Patent**
Haener et al.

(10) **Patent No.:** **US D705,101 S**

(45) **Date of Patent:** **** May 20, 2014**

(54) **PRESSURE GAUGE**

(71) Applicants: **Brandt A. Haener**, Los Osos, CA (US);
Brendan P. Kelso, Atascadero, CA (US)

(72) Inventors: **Brandt A. Haener**, Los Osos, CA (US);
Brendan P. Kelso, Atascadero, CA (US)

(73) Assignee: **Illinois Tool Works Inc.**, Glenview, IL
(US)

(**) Term: **14 Years**

(21) Appl. No.: **29/449,601**

(22) Filed: **Mar. 15, 2013**

(51) **LOC (10) Cl.** **10-04**

(52) **U.S. Cl.**
USPC **D10/85**

(58) **Field of Classification Search**
USPC D10/83-85; 73/1.57-1.73, 19.05,
73/23.27-23.29, 28.03, 29.03,
73/30.01-30.04, 31.04, 35.12, 35.13,
73/37-49.8, 54.06, 54.09, 54.16, 61.47,
73/61.67, 61.78, 64.45-64.47, 64.51,
73/152.22, 152.27, 152.51, 152.52, 199,
73/861.42-861.51, 514.11, 700-753;
200/82 A, 82 C, 82 D, 83 P, 83 N, 83 R,
200/83 Q, 83 W, 832, 835, 83 E, 83 J, 306

See application file for complete search history.

(56) **References Cited**

U.S. PATENT DOCUMENTS

D681,491 S * 5/2013 Stansbury et al. D10/85

* cited by examiner

Primary Examiner — Antoine D Davis

(74) *Attorney, Agent, or Firm* — Pauley Petersen & Erickson

(57) **CLAIM**

The ornamental design for a pressure gauge, as shown and described.

DESCRIPTION

FIG. 1 is a front view of the pressure gauge according to a preferred embodiment of this invention.

FIG. 2 is a back view of the pressure gauge shown in FIG. 1.

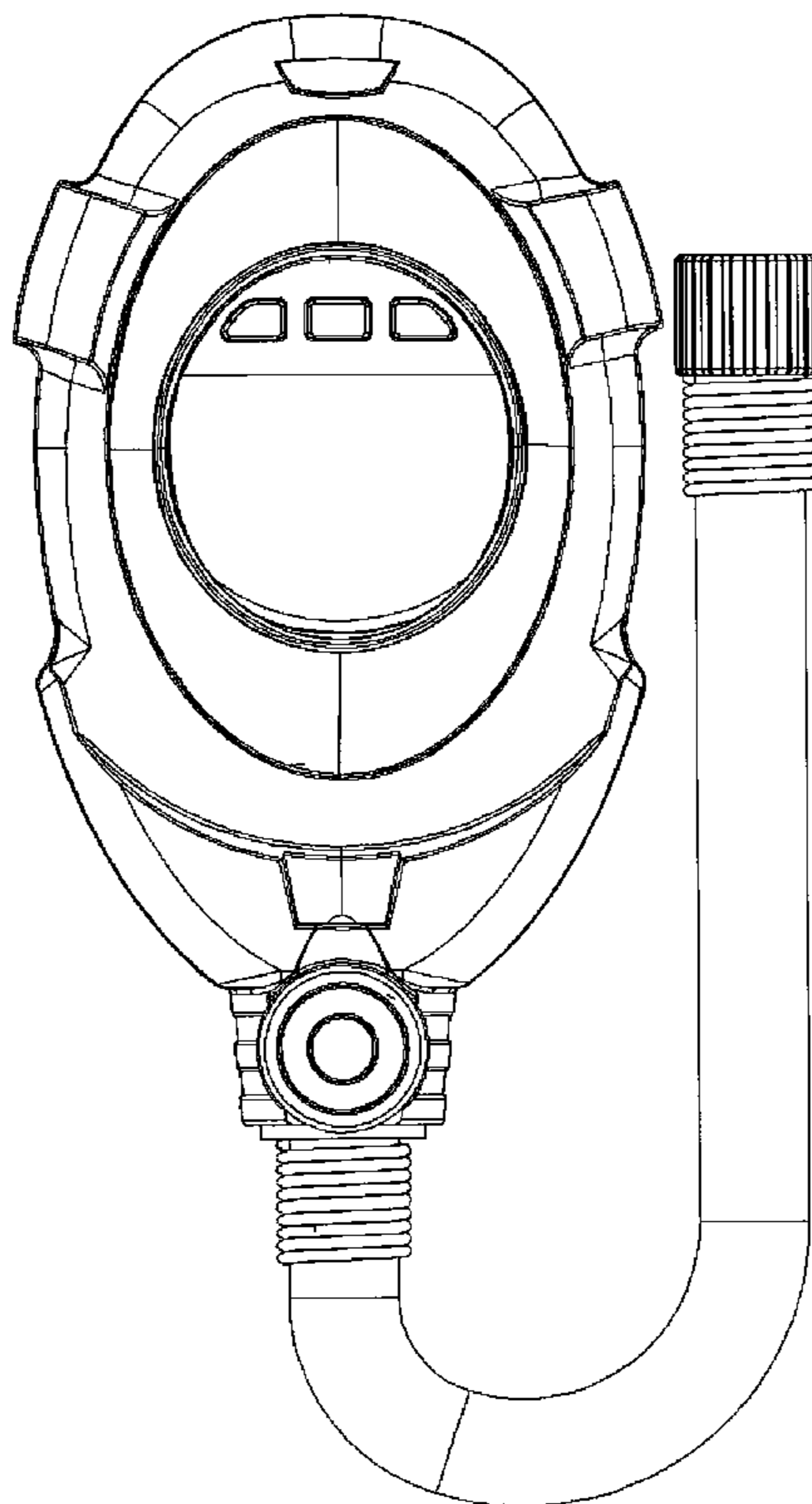
FIG. 3 is a left side view of the pressure gauge shown in FIG. 1.

FIG. 4 is a right side view of the pressure gauge shown in FIG. 1.

FIG. 5 is a top view of the pressure gauge shown in FIG. 1; and,

FIG. 6 is a bottom view of the pressure gauge shown in FIG. 1.

1 Claim, 4 Drawing Sheets



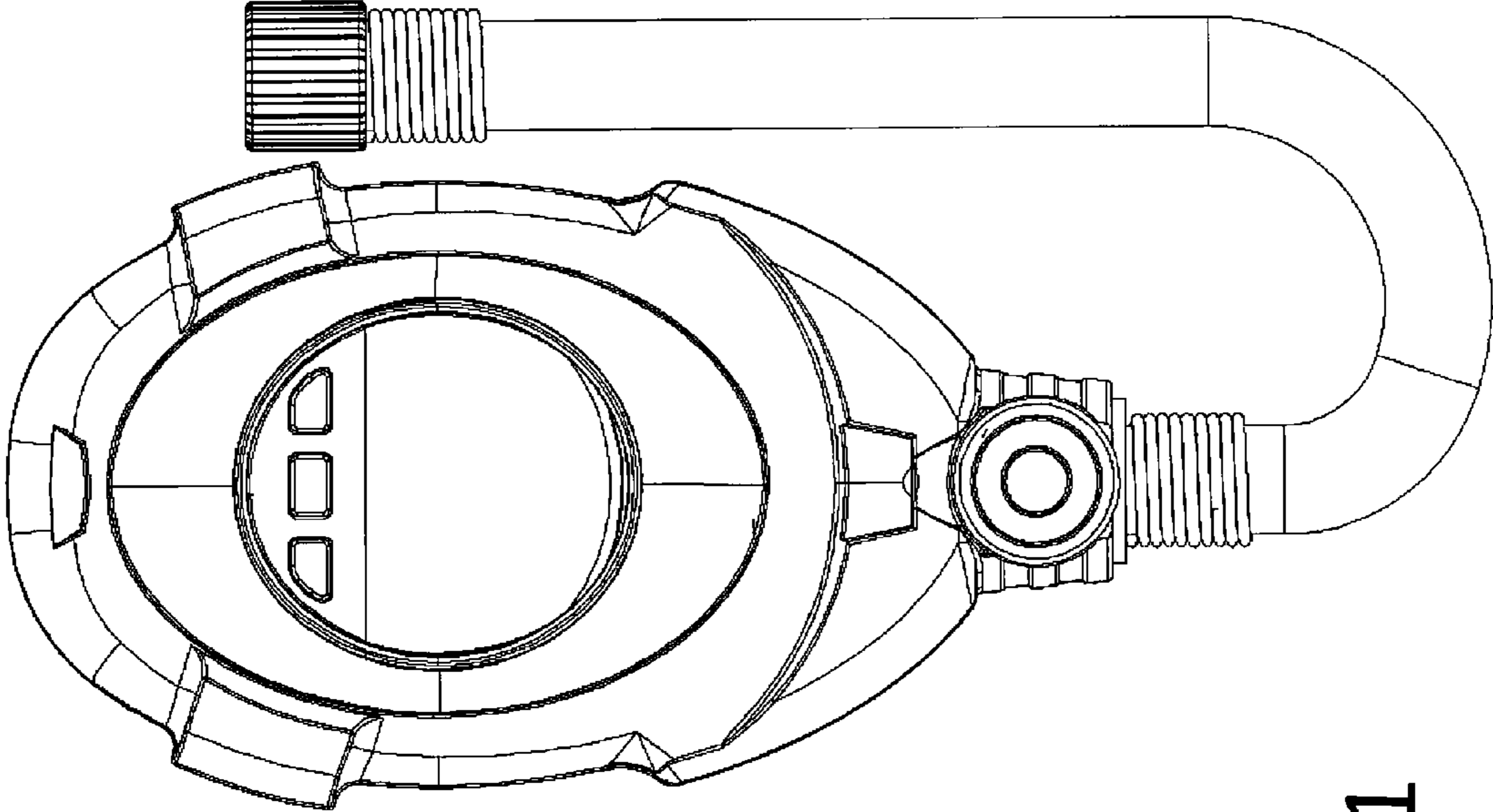


FIG. 1

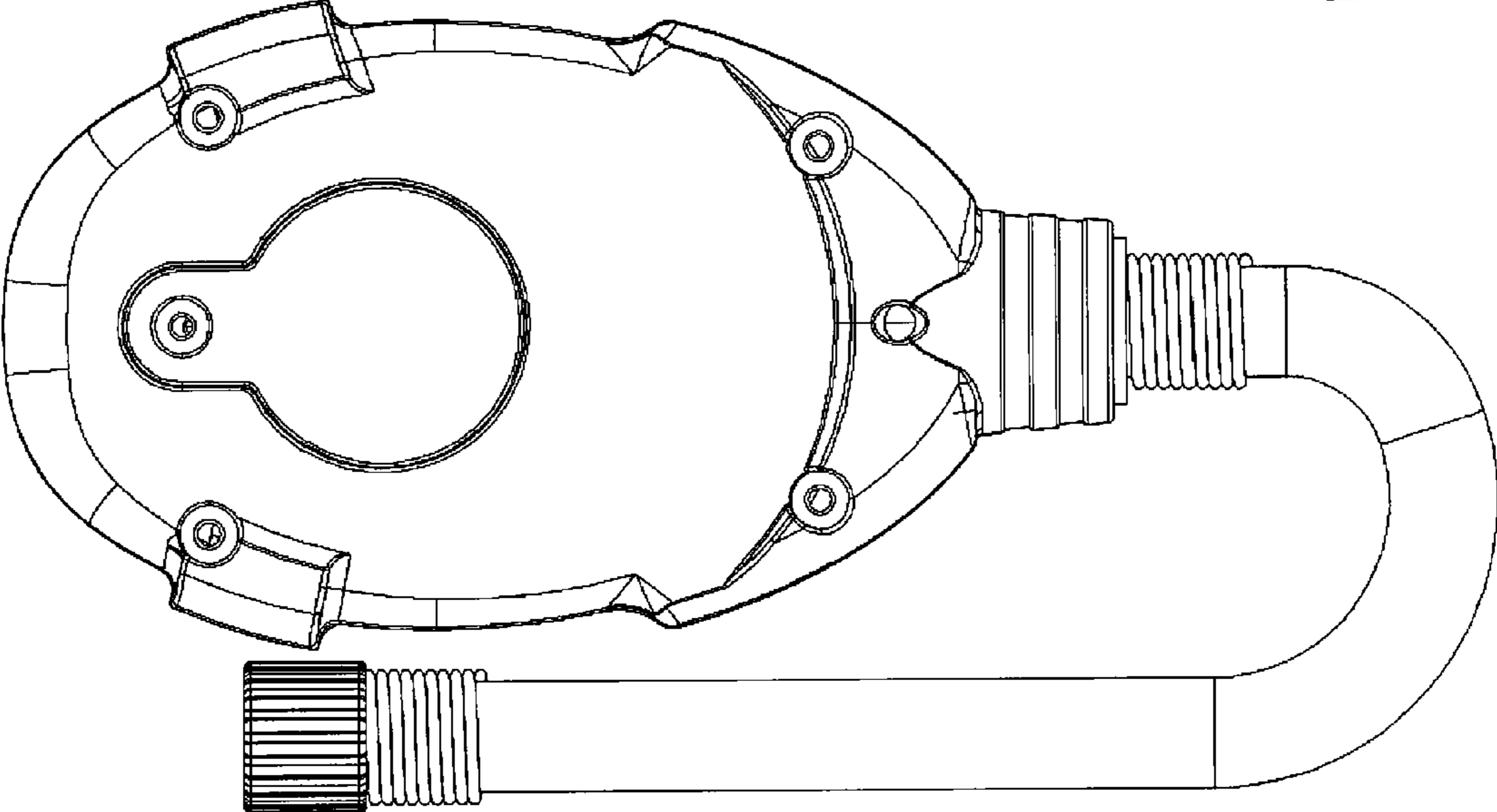


FIG. 2

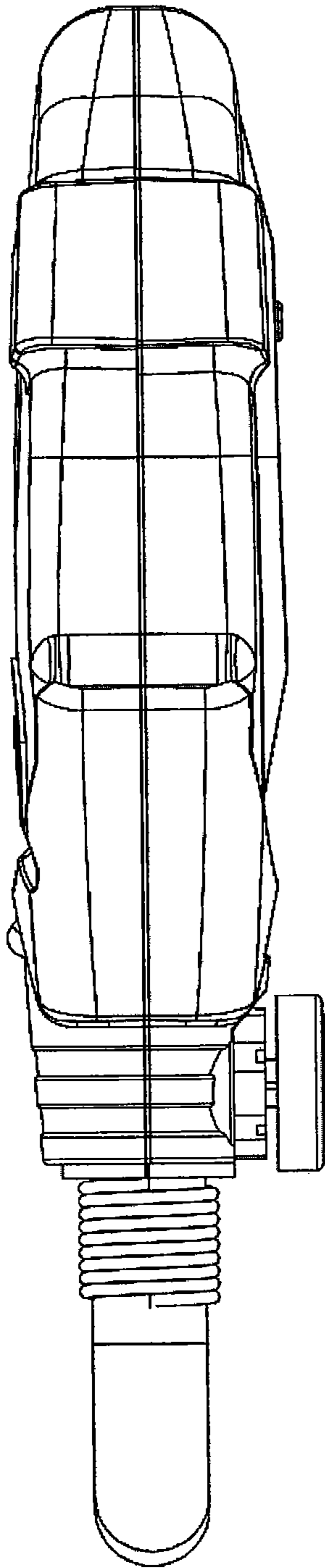


FIG. 3

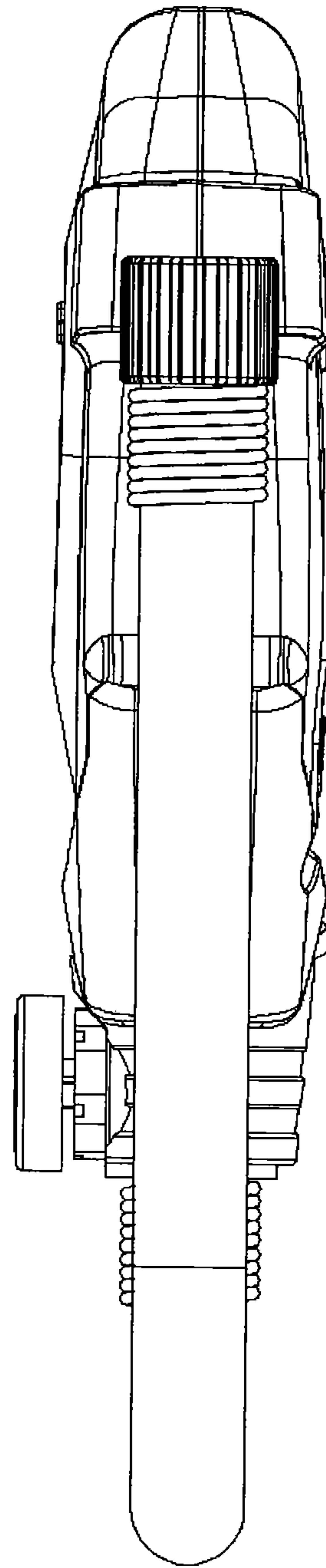


FIG. 4

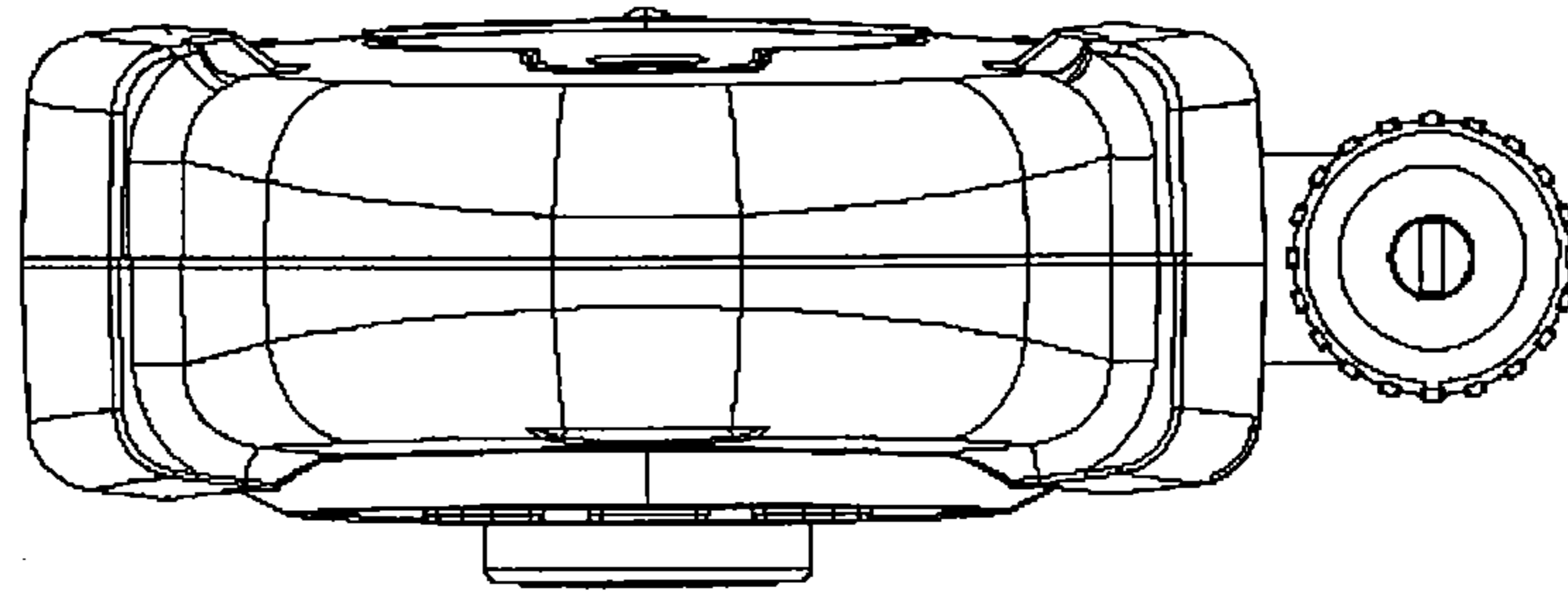


FIG. 5

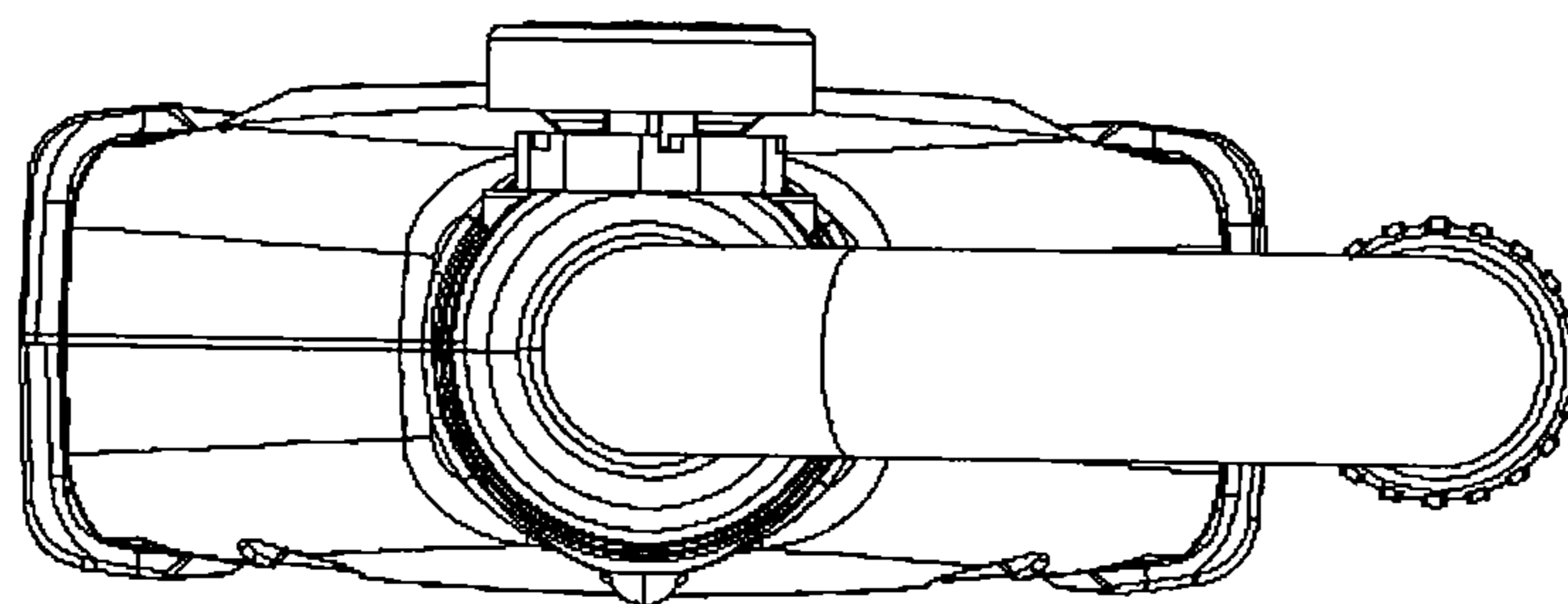


FIG. 6