



US00D705100S

(12) **United States Design Patent**  
**Nothacker et al.**

(10) **Patent No.:** **US D705,100 S**

(45) **Date of Patent:** **\*\* May 20, 2014**

(54) **BREATHALYZER**

(71) Applicant: **KHN Solutions**, San Francisco, CA  
(US)

(72) Inventors: **Keith Nothacker**, San Francisco, CA  
(US); **Imraan Aziz**, Oakland, CA (US);  
**Michael Strasser**, San Francisco, CA  
(US)

(73) Assignee: **KHN Solutions, Inc.**, San Francisco, CA  
(US)

(\*\*) Term: **14 Years**

(21) Appl. No.: **29/444,614**

(22) Filed: **Jan. 31, 2013**

(51) **LOC (10) Cl.** ..... **10-04**

(52) **U.S. Cl.**  
USPC ..... **D10/81**

(58) **Field of Classification Search**

USPC ..... D10/75, 78, 81; D24/216, 232-234;  
73/1.01, 1.02-1.08, 1.16, 19.01-19.02,  
73/23.2-23.27, 23.3, 23.35-24.01, 52,  
73/53.01, 61.52-61.61, 864.21, 431,  
73/864.73, 31.03, 31.05, 866.5, 864.84,  
73/864.23, 61.55, 863.01, 866; 204/253,  
204/400, 403.01, 403.02, 403.04, 403.05,  
204/403.1, 403.11, 403.14; 205/775, 777.5,  
205/778, 792; 210/656-660, 198.2, 635,  
210/101, 103; 250/252.1, 251, 281-300,  
250/305, 336.1, 338.1, 338.5, 339.07,  
250/339.13, 343, 349, 239, 910; 356/446,  
356/246, 301-337, 451, 72, 73; 422/50-53,  
422/62-82, 83-98, 239.2, 400, 401, 404;  
435/4, 283.1-284.1, 286.5, 287.1,  
435/287.2, 806, 13, 14, 287.4, 287.7,  
435/287.94, 6.18; 436/43-54, 68, 900, 514,  
436/530, 95; 600/300, 301, 309, 322, 345,  
600/347, 365, 393, 578, 583, 584; 604/207,  
604/503, 65, 66, 67, 182; 702/19, 40;  
221/65, 135; 235/451, 422.01; 95/87;  
96/101, 106; 366/286, 207

See application file for complete search history.

(56) **References Cited**

U.S. PATENT DOCUMENTS

D521,885 S \* 5/2006 Eddy et al. .... D10/81  
D539,683 S \* 4/2007 Shaw et al. .... D10/81  
D539,684 S \* 4/2007 Kitamura et al. .... D10/81

(Continued)

*Primary Examiner* — Antoine D Davis

(74) *Attorney, Agent, or Firm* — Jeffrey Schox

(57) **CLAIM**

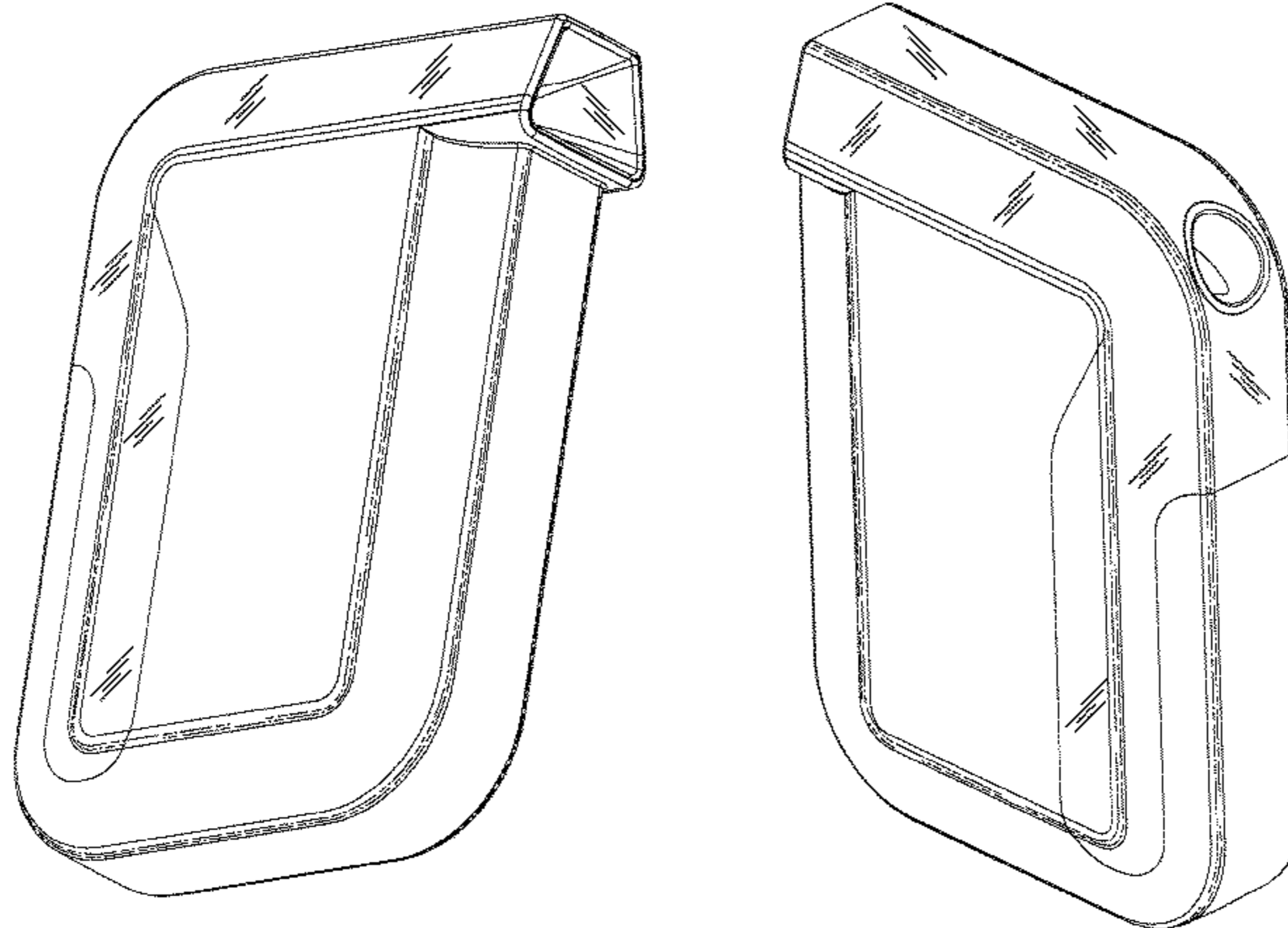
The ornamental design for a breathalyzer, as shown and described.

**DESCRIPTION**

FIG. 1 is a first perspective view of a breathalyzer;  
FIG. 2 is a second perspective view of the breathalyzer, illustrated in FIG. 1;  
FIG. 3 is a front plan view of the breathalyzer, illustrated in FIG. 1;  
FIG. 4 is a rear plan view of the breathalyzer, illustrated in FIG. 1;  
FIG. 5 is a top view of the breathalyzer, illustrated in FIG. 1;  
FIG. 6 is a bottom view of the breathalyzer, illustrated in FIG. 1;  
FIG. 7 is a right side view of the breathalyzer, illustrated in FIG. 1; and,  
FIG. 8 is a left side view of the breathalyzer, illustrated in FIG. 1.

The designations of the views below as top, bottom, right side, front, and rear are for ease of discussion only and are not intended to limit the breathalyzer to one particular orientation. The breathalyzer can be oriented in other directions which would alter these designations. The drawings illustrated in FIGS. 1-8 are not necessarily drawn to the same scale, and any change in scale between different views is not intended to limit the breathalyzer to a particular size.

**1 Claim, 6 Drawing Sheets**



(56)

**References Cited**

U.S. PATENT DOCUMENTS

7,341,693 B2 \* 3/2008 Der Ghazarian et al. .... 422/84  
D603,281 S \* 11/2009 Gonzalez ..... D10/81

D606,434 S \* 12/2009 Castrodale et al. .... D10/81  
D627,669 S \* 11/2010 Zheng ..... D10/81  
D628,104 S \* 11/2010 Zheng ..... D10/81  
D661,999 S \* 6/2012 Pulford ..... D10/81

\* cited by examiner

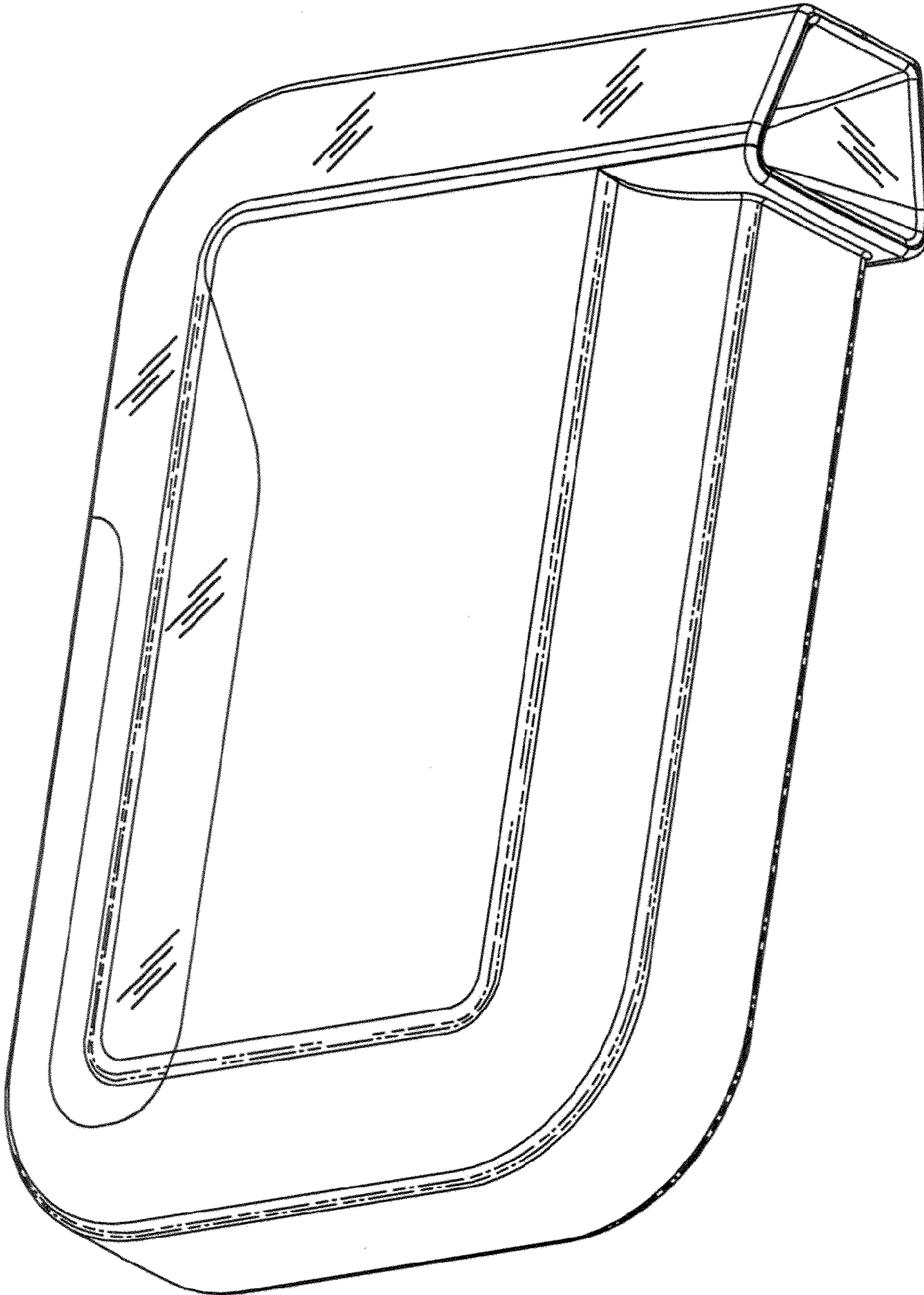


FIG. 1



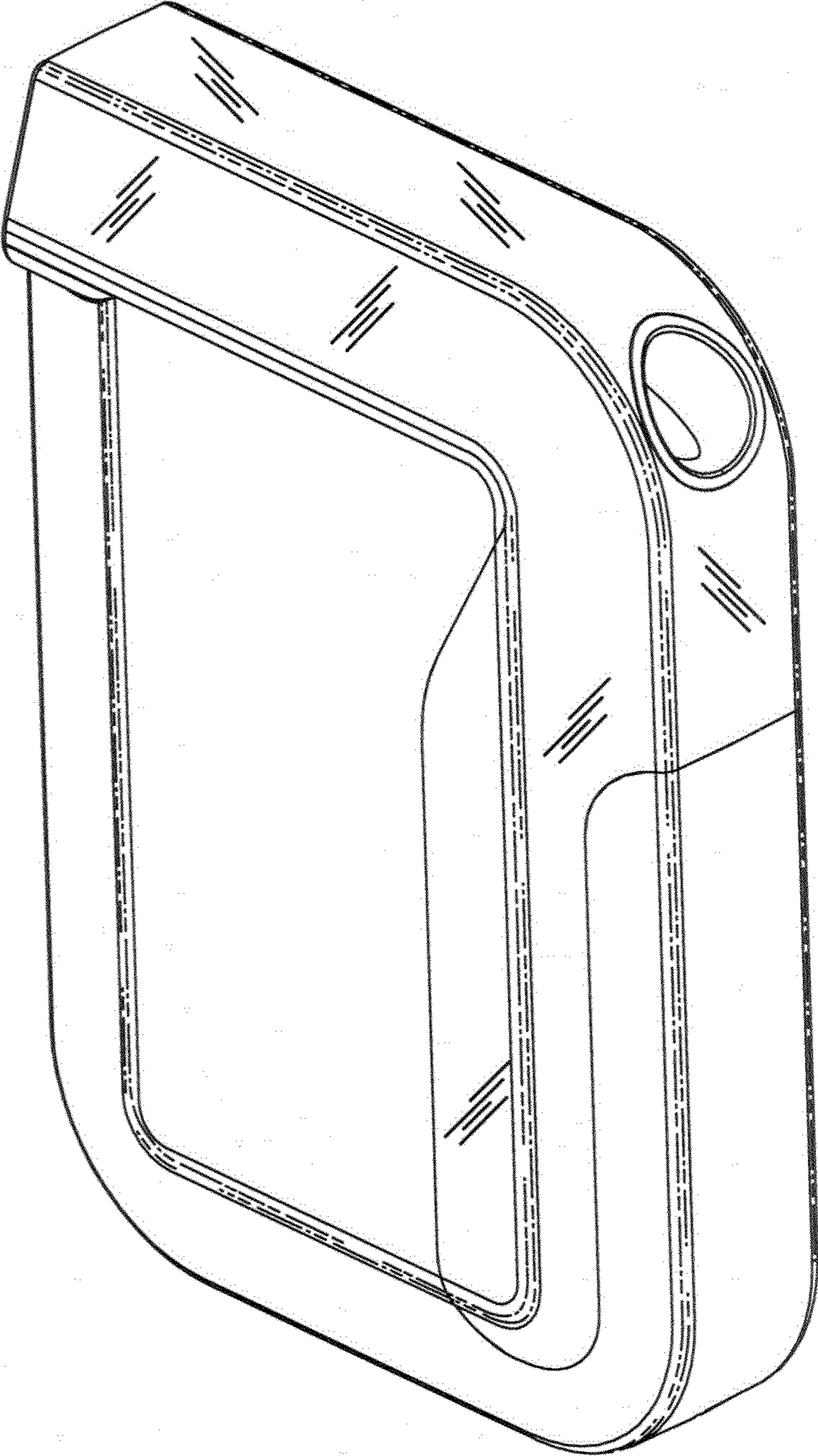


FIG. 2

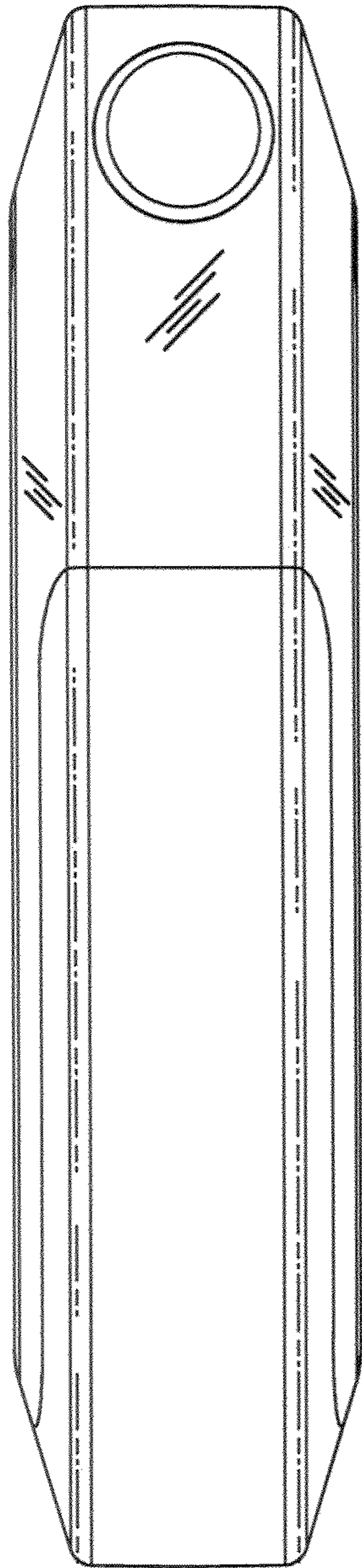


FIG. 3

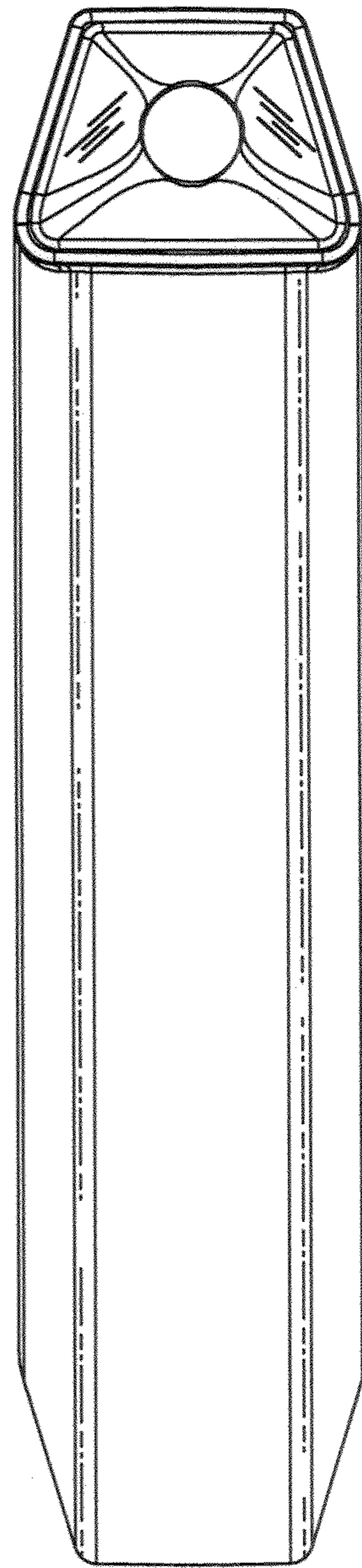


FIG. 4



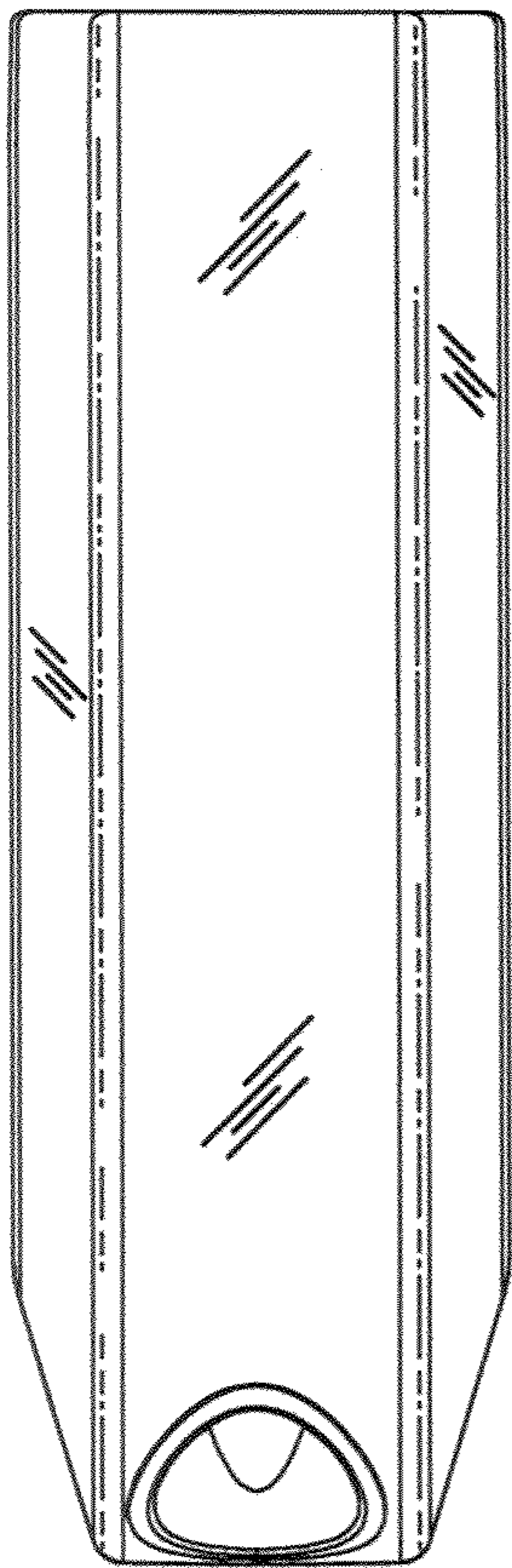


FIG. 5

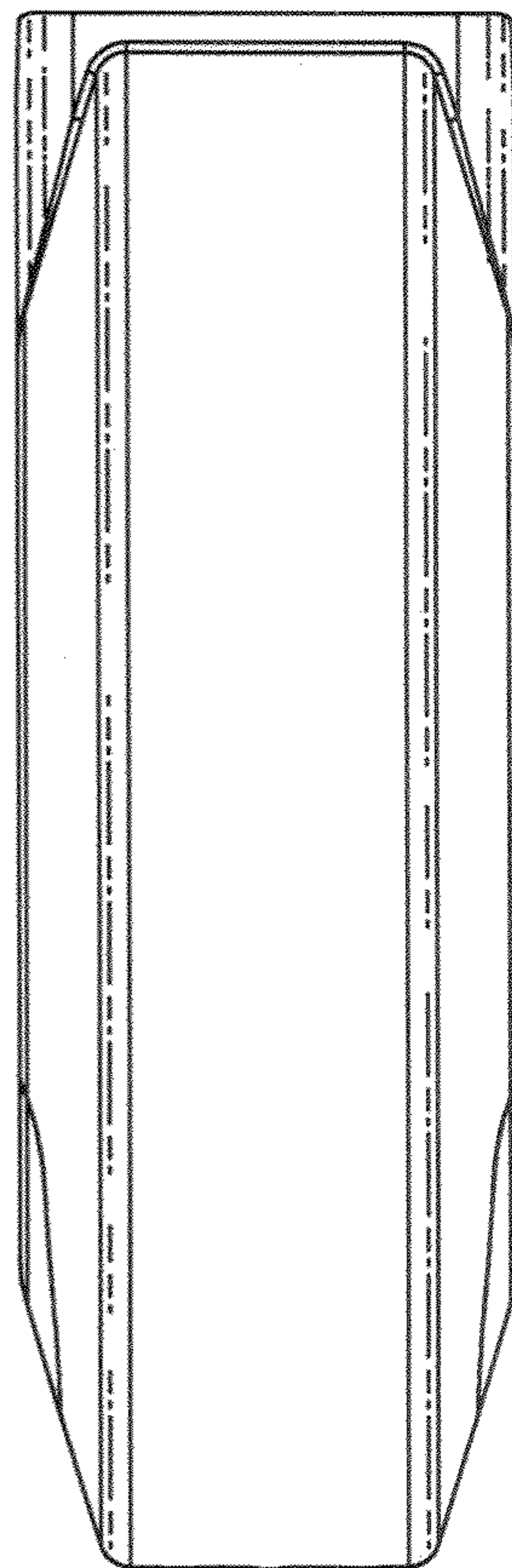


FIG. 6

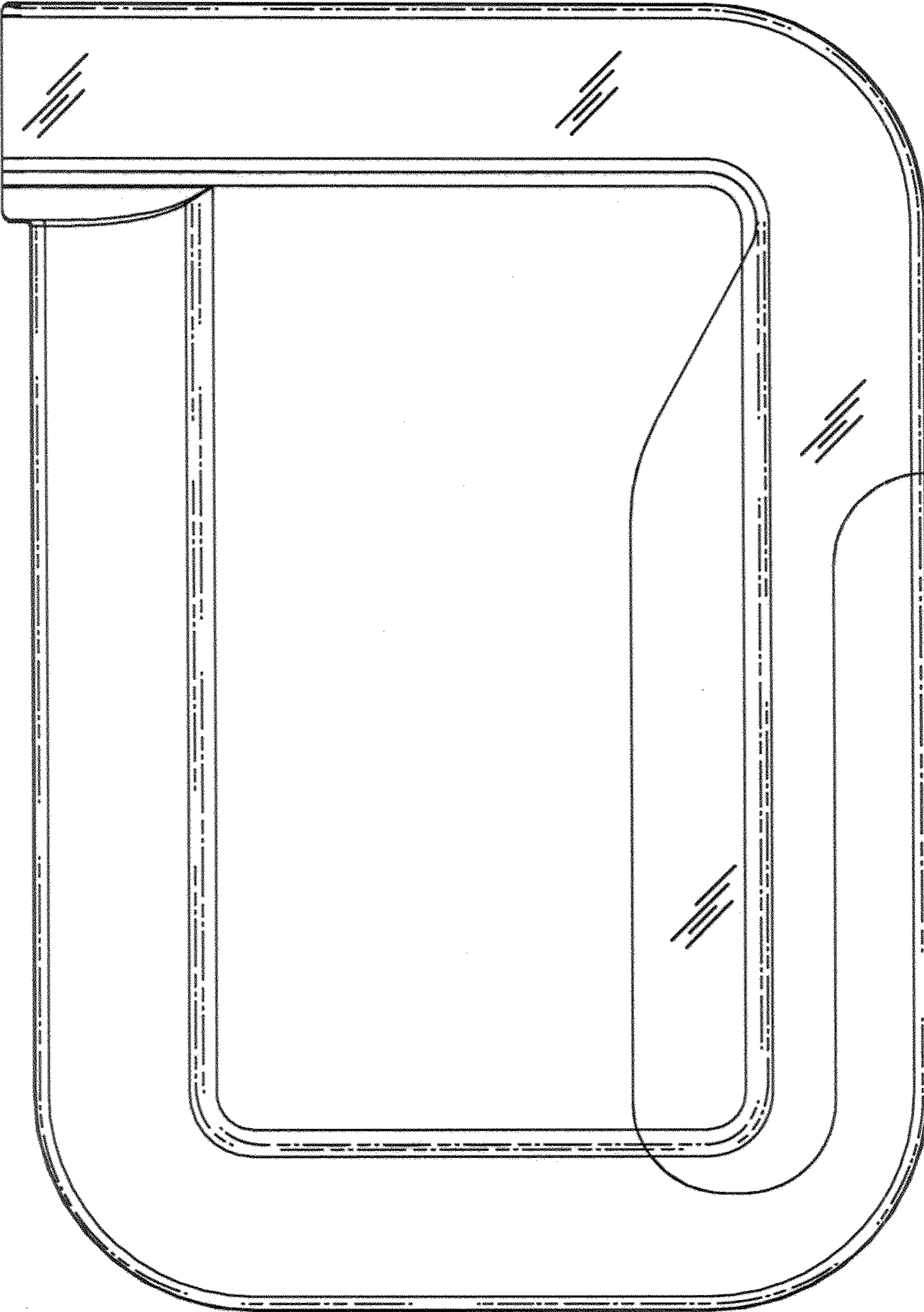


FIG. 7

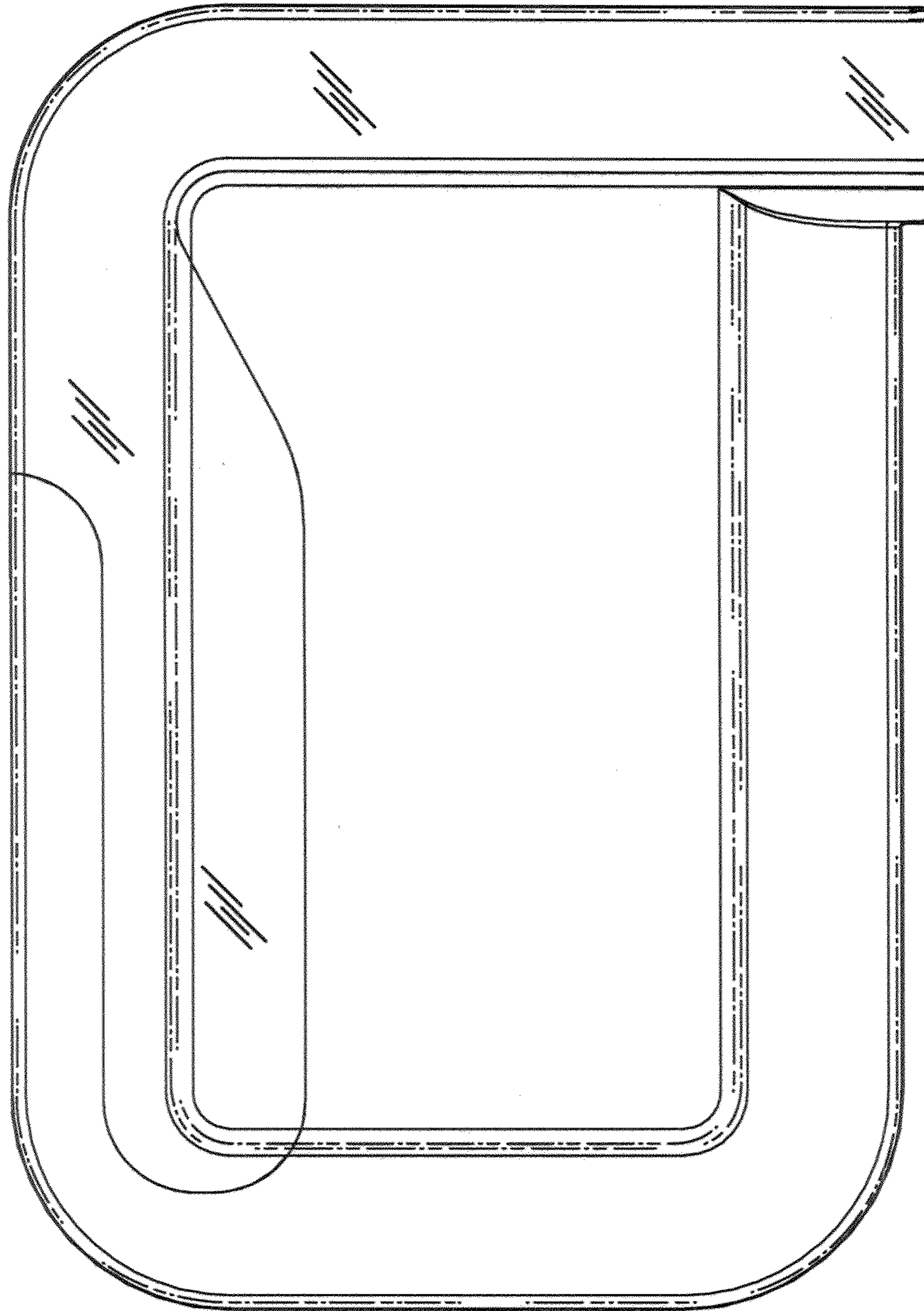


FIG. 8