



US00D705099S

(12) **United States Design Patent**  
**Heishi et al.**

(10) **Patent No.:** **US D705,099 S**

(45) **Date of Patent:** **\*\* May 20, 2014**

(54) **DIGITAL MULTI METER**

(71) Applicant: **Hioki E.E. Corporation**, Nagano (JP)

(72) Inventors: **Toshio Heishi**, Nagano (JP); **Seiji Onuma**, Nagano (JP)

(73) Assignee: **Hioki E.E. Corporation** (JP)

(\*\*) Term: **14 Years**

(21) Appl. No.: **29/462,582**

(22) Filed: **Aug. 6, 2013**

(30) **Foreign Application Priority Data**

Feb. 8, 2013 (JP) ..... 2013-002496

(51) **LOC (10) Cl.** ..... **10-04**

(52) **U.S. Cl.**  
USPC ..... **D10/78**

(58) **Field of Classification Search**  
USPC ..... D10/78; 324/66, 67, 158 P, 539-542,  
324/72.5, 556, 133, 149, 503, 543, 555, 72,  
324/754, 115, 141, 114, 145, 156, 508;  
379/21, 60, 66, 96, 106.01-106.11;  
340/635, 687, 654; 73/866.5

See application file for complete search history.

(56) **References Cited**

**U.S. PATENT DOCUMENTS**

D390,139 S \* 2/1998 Tomiyama et al. .... D10/78  
D446,137 S \* 8/2001 Chang ..... D10/78  
D446,735 S \* 8/2001 McCain ..... D10/78  
D472,828 S \* 4/2003 Chang ..... D10/78  
D601,047 S \* 9/2009 Chang ..... D10/78

D625,633 S \* 10/2010 Laurino et al. .... D10/78  
D684,073 S \* 6/2013 Elrod et al. .... D10/78  
2011/0026193 A1\* 2/2011 Rasmussen et al. .... 361/627  
2012/0103765 A1\* 5/2012 Worones et al. .... 200/11 DA  
2013/0156438 A1\* 6/2013 Hudson et al. .... 398/116  
2013/0214764 A1\* 8/2013 Marzynski et al. .... 324/114

**OTHER PUBLICATIONS**

Notice of Reasons for Rejection for Japanese Design Application No. 2013-002496; Date of Mailing: Jul. 5, 2013, Translated into English.

\* cited by examiner

*Primary Examiner* — Antoine D Davis

(74) *Attorney, Agent, or Firm* — Cantor Colburn LLP

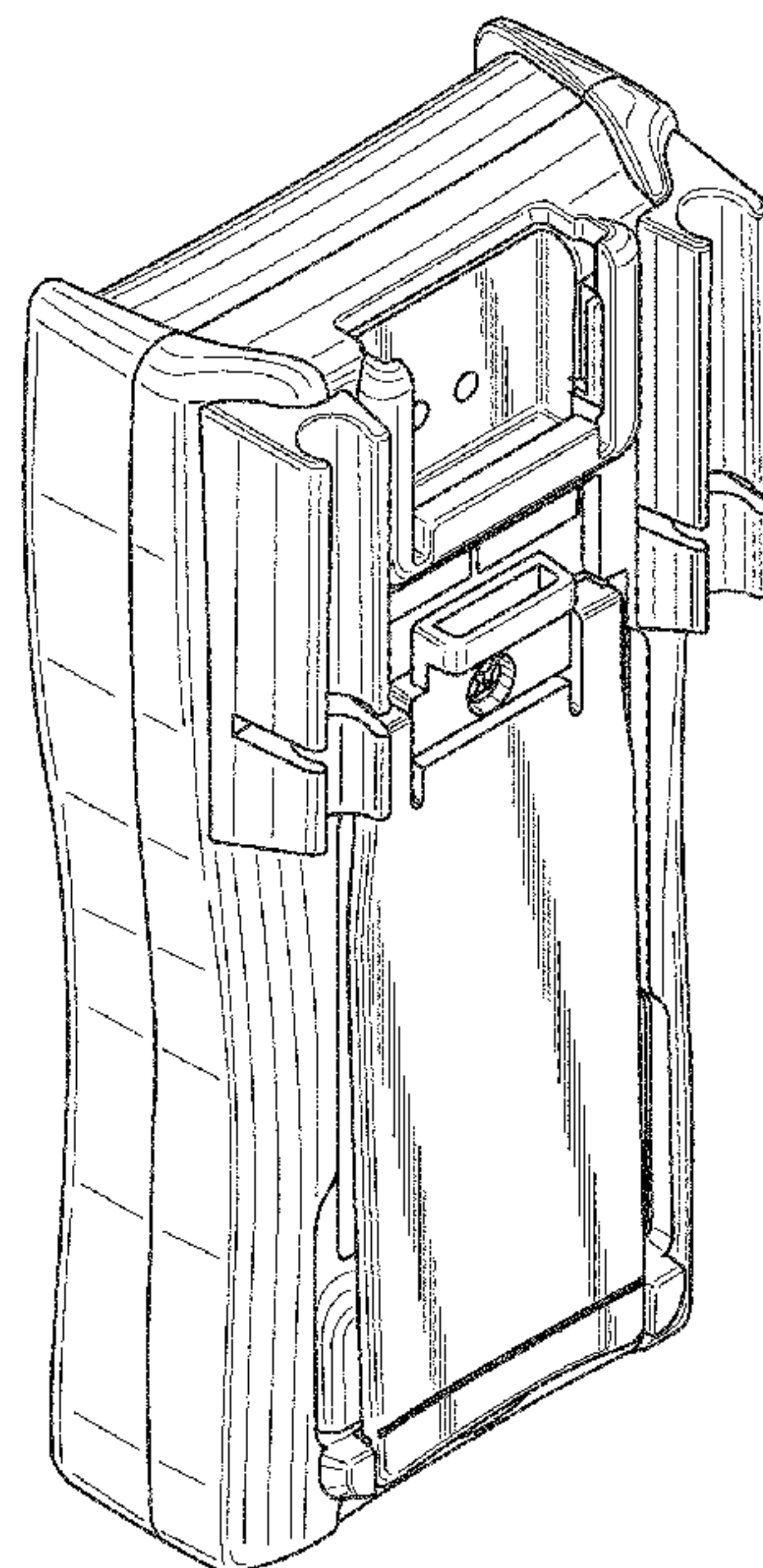
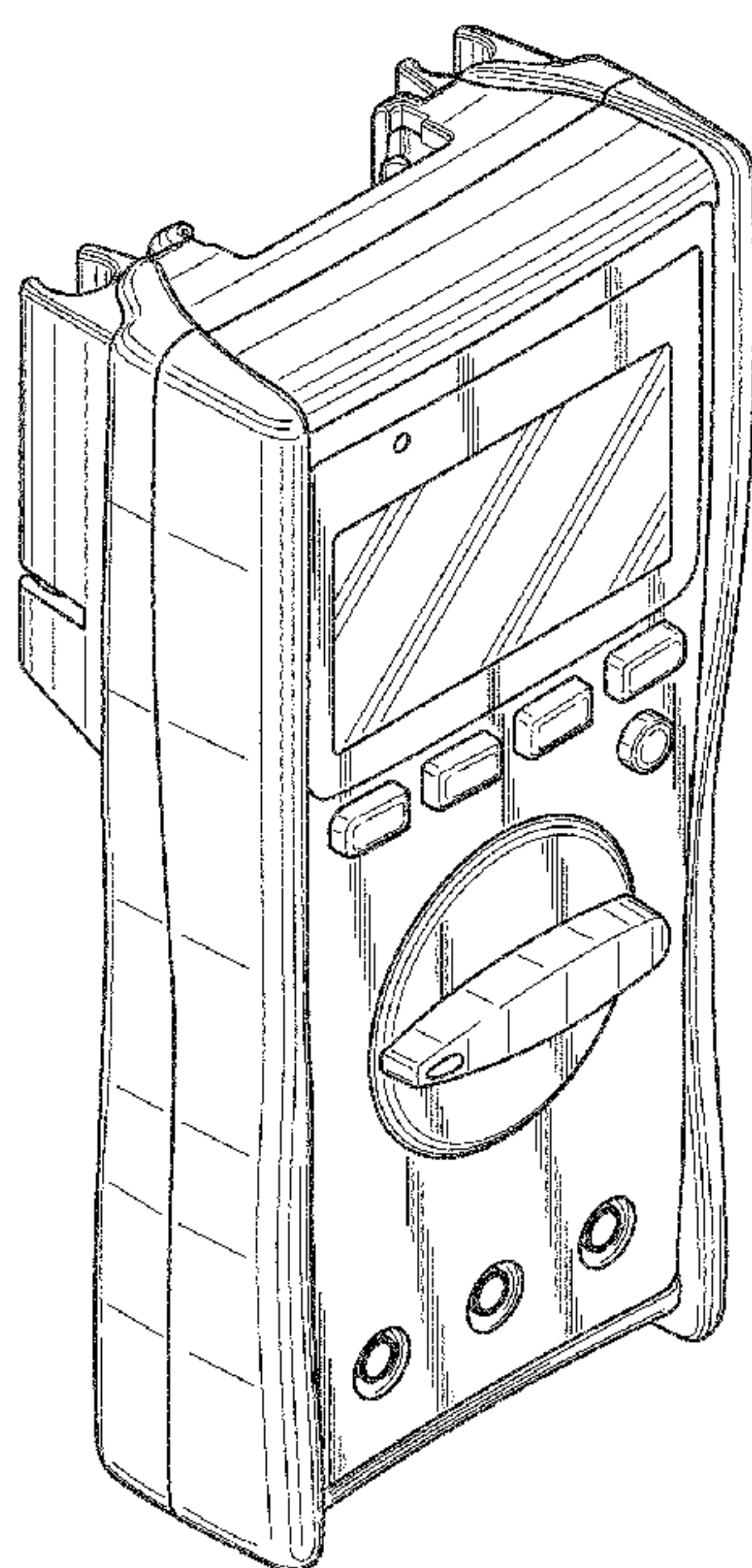
(57) **CLAIM**

The ornamental design for a digital multi meter, as shown and described.

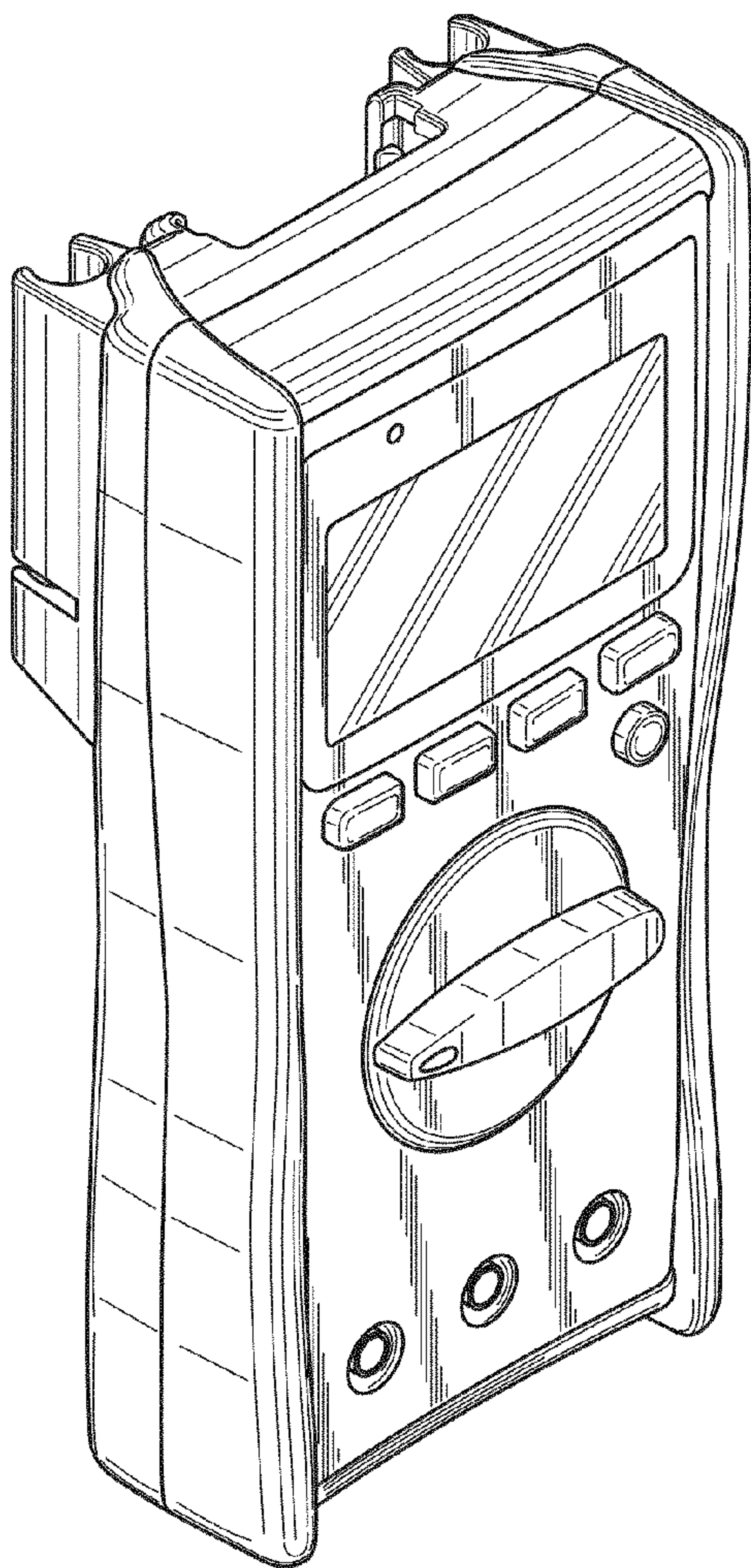
**DESCRIPTION**

FIG. 1 is a front perspective view of a digital multi meter. FIG. 2 is a rear perspective view of the digital multi meter; FIG. 3 is a front planar view of the digital multi meter; FIG. 4 is a rear planar view of the digital multi meter; FIG. 5 is a left side planar view of the digital multi meter; FIG. 6 is a right side planar view of the digital multi meter; FIG. 7 is a top planar view of the digital multi meter; FIG. 8 is a bottom planar view of the digital multi meter; and, FIG. 9 is a front planar view of the digital multi meter. The broken line showing of structural features is included for the purpose of illustrating non-claimed subject matter and forms no part of the claimed design.

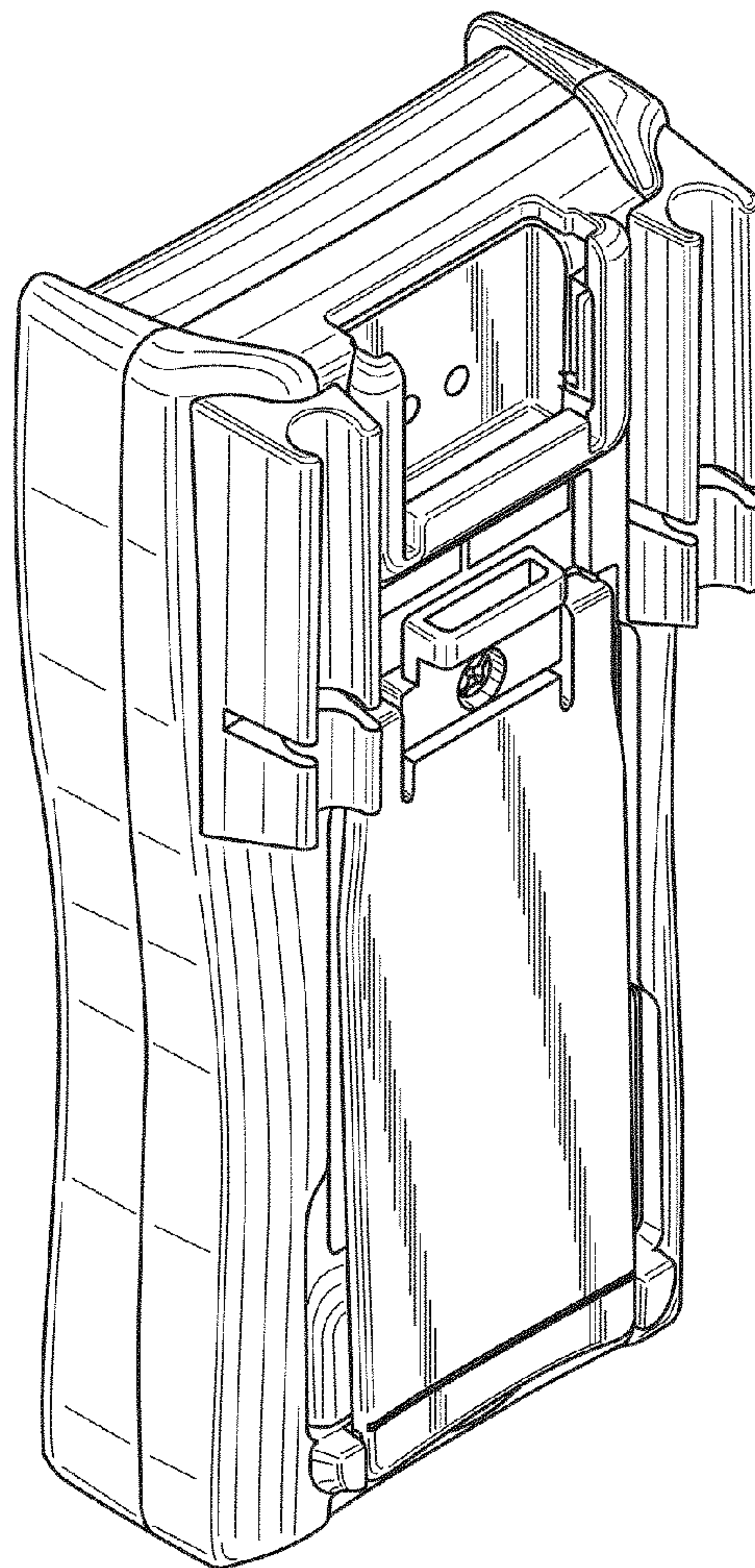
**1 Claim, 4 Drawing Sheets**



**FIG. 1**

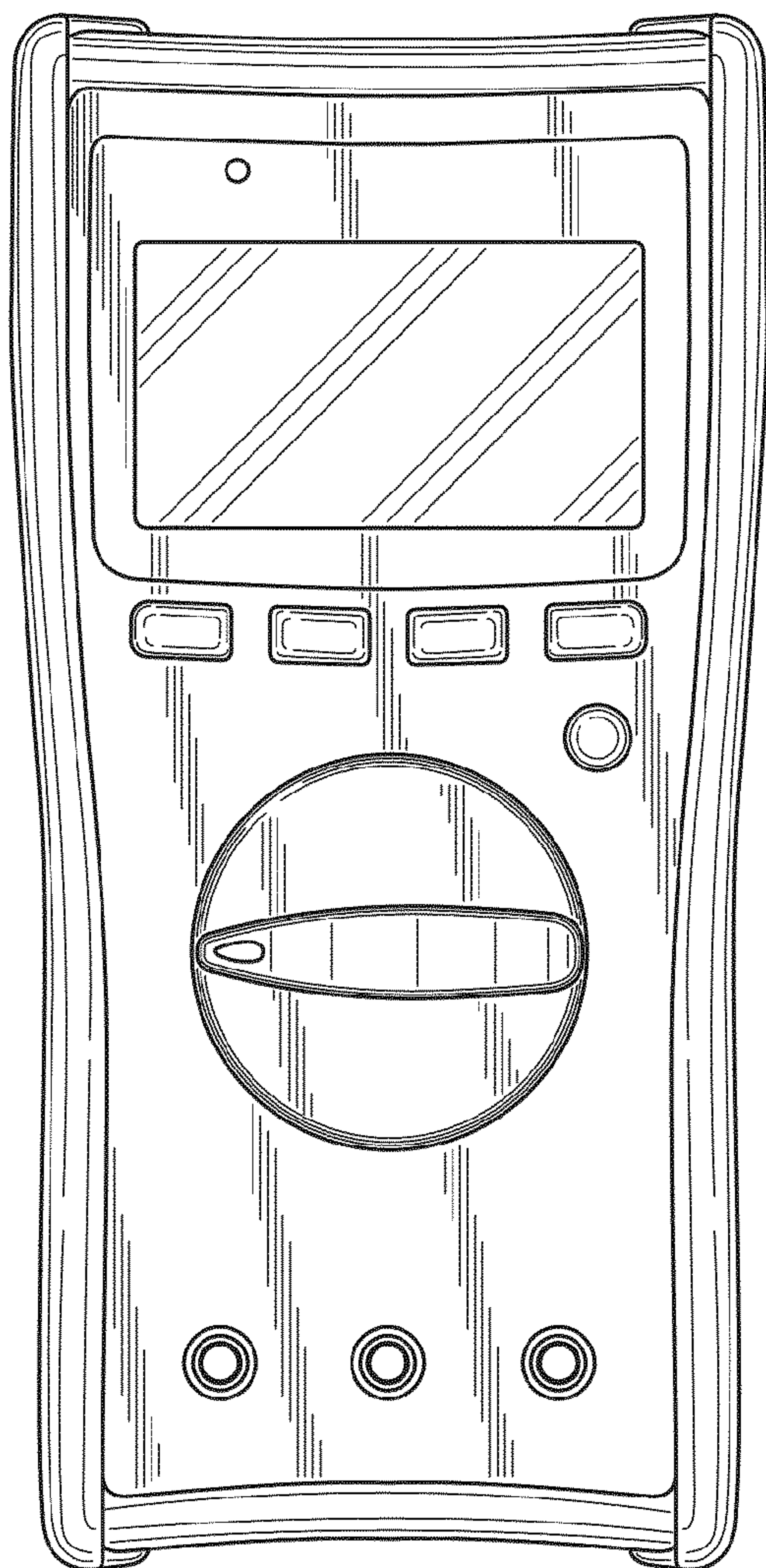


**FIG. 2**

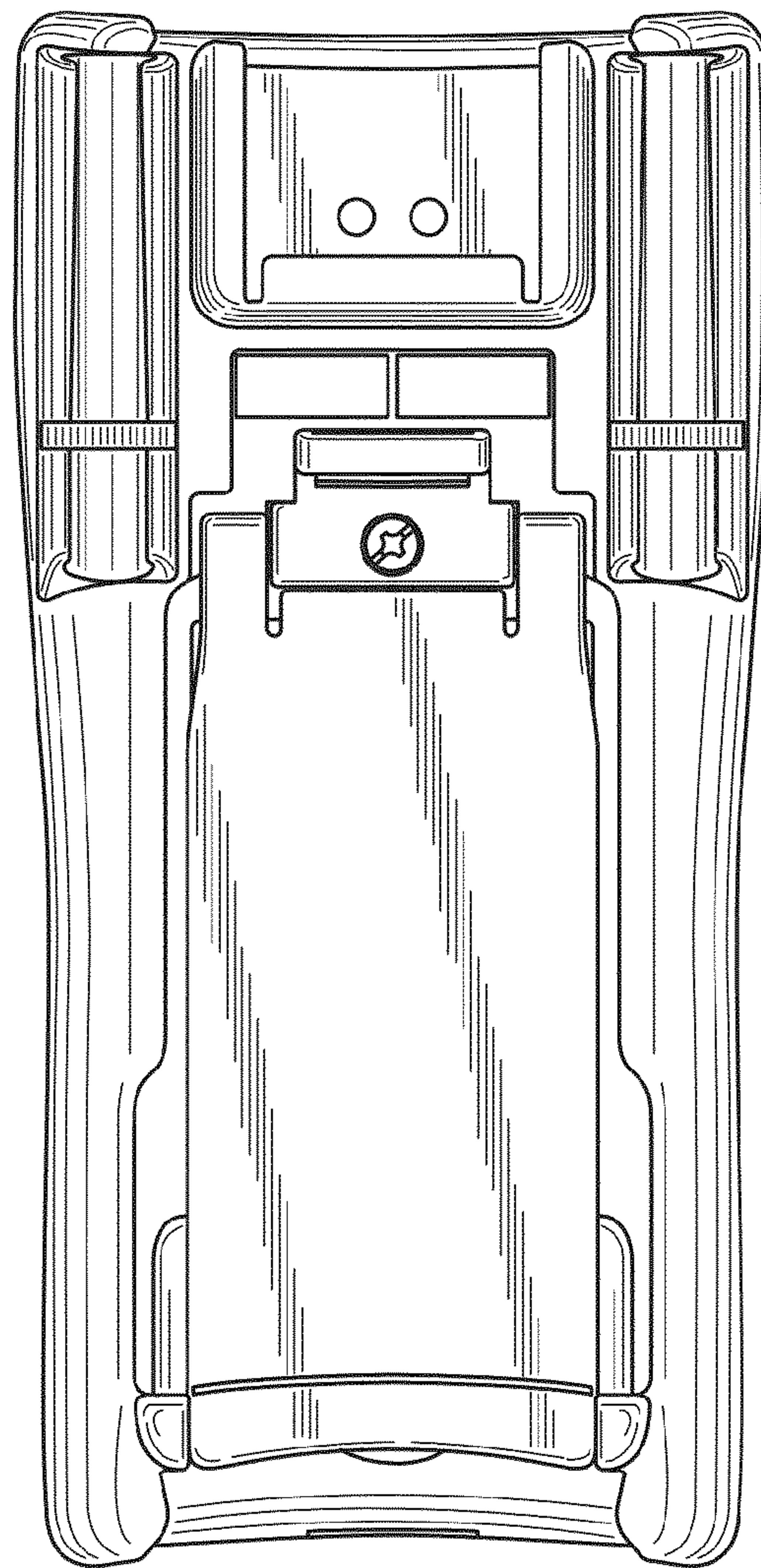




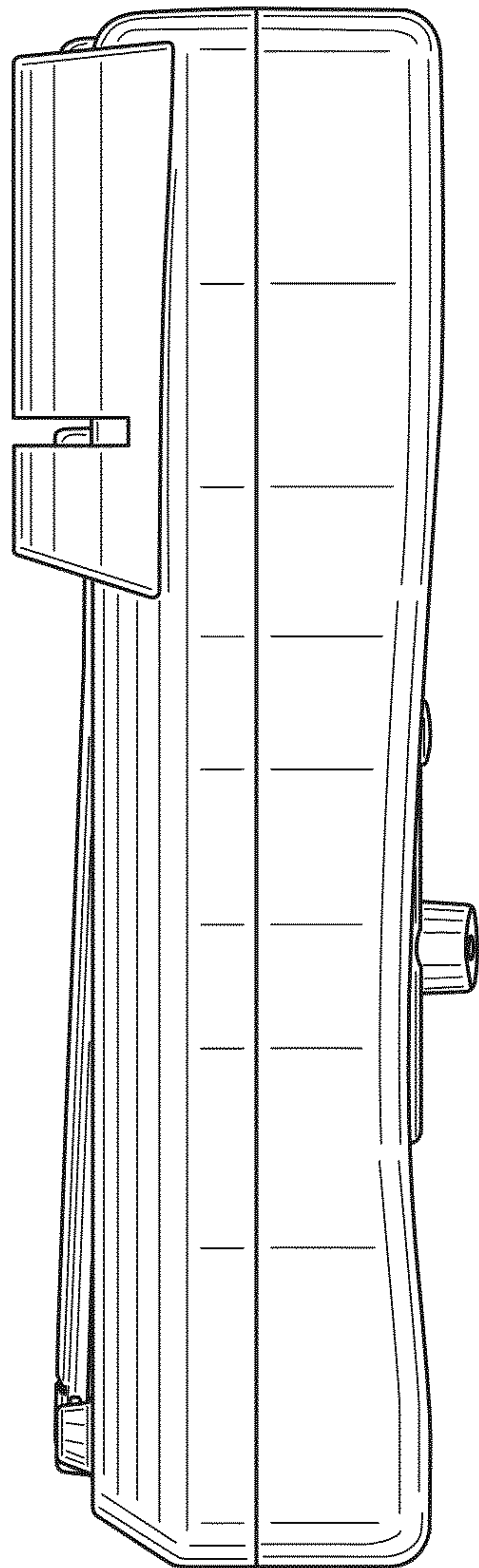
**FIG. 3**



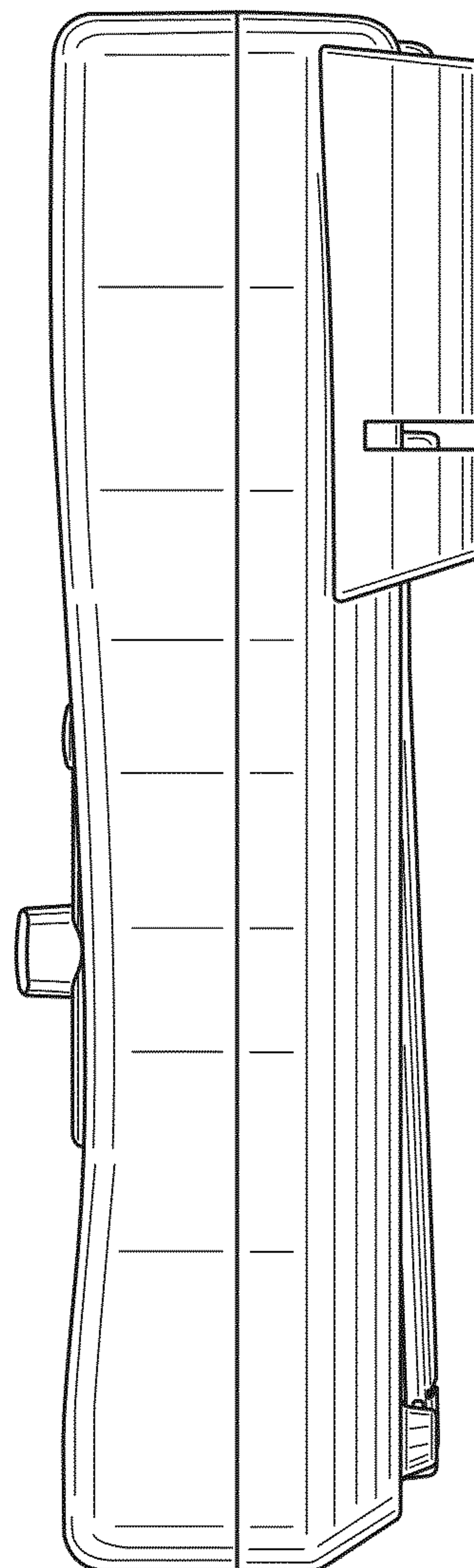
**FIG. 4**



***FIG. 5***

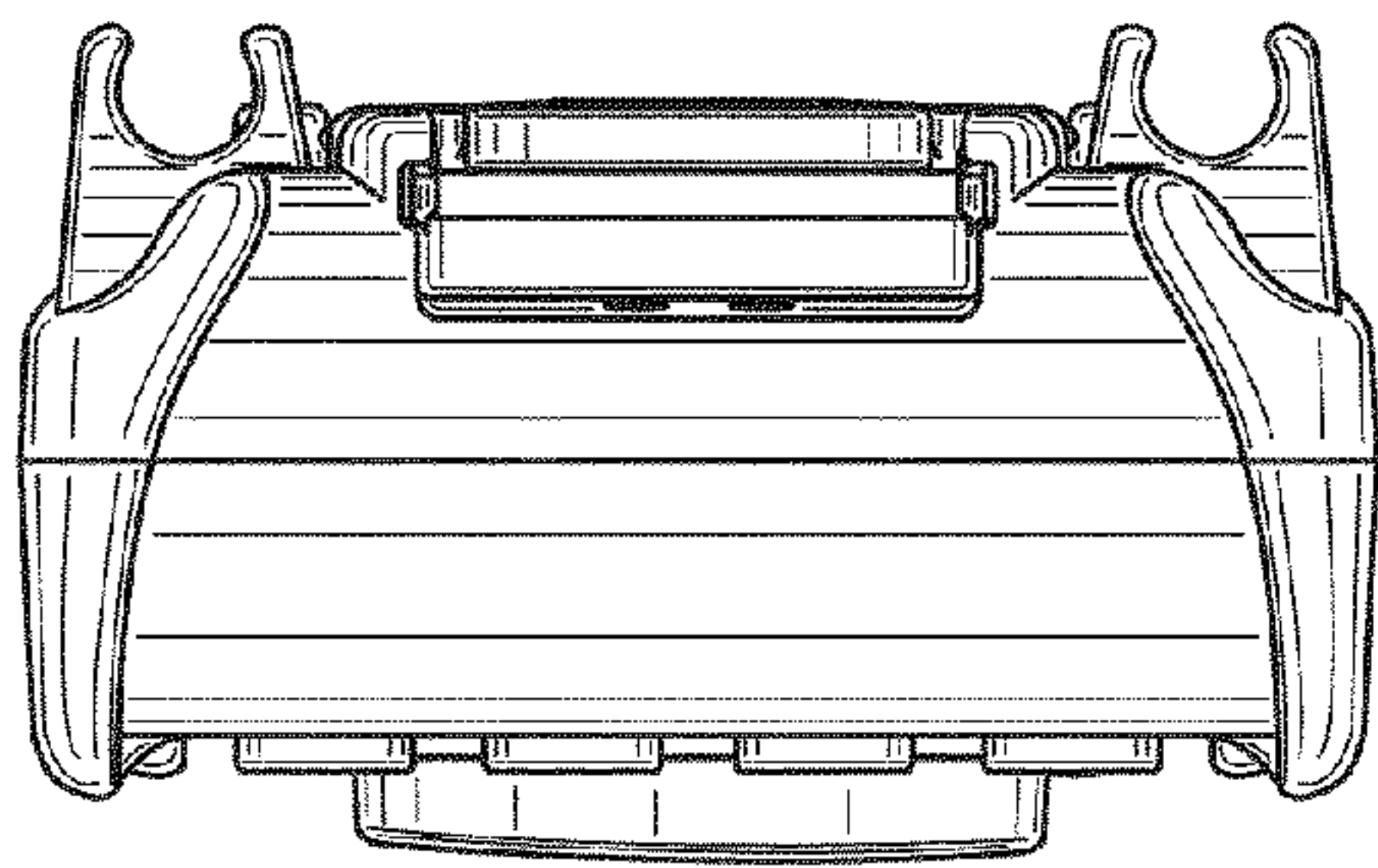


***FIG. 6***

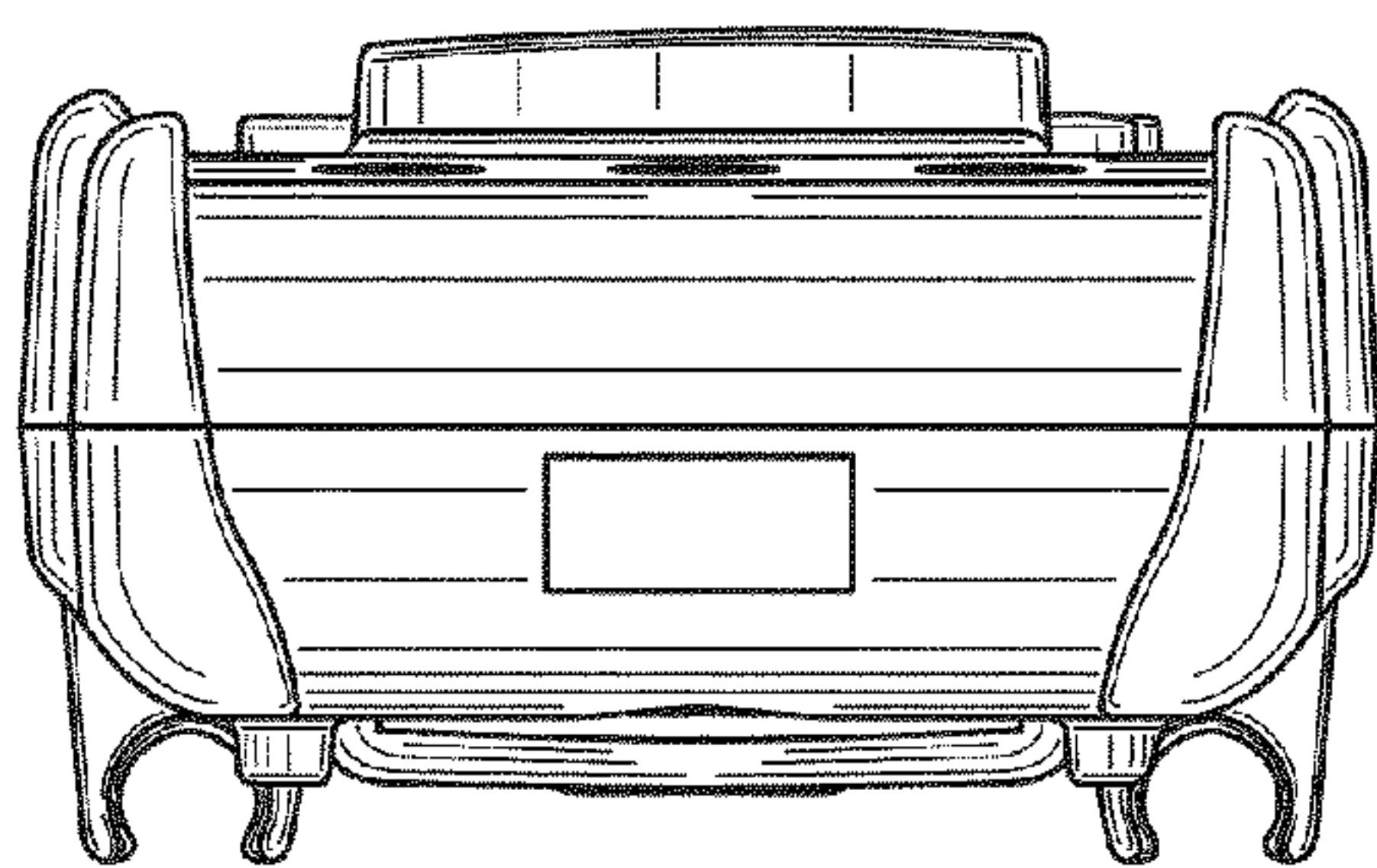




**FIG. 7**



**FIG. 8**



**FIG. 9**

