



US00D705098S

(12) **United States Design Patent**
Brooking et al.

(10) **Patent No.:** **US D705,098 S**
(45) **Date of Patent:** **** May 20, 2014**

- (54) **BASE PATTERN FOR MOISTURE DETECTION DEVICE**
- (71) Applicant: **Gizmode, LLC**, Sandy, UT (US)
- (72) Inventors: **Michael J. Brooking**, Dong Guan (CN);
Christopher W. Barney, Sandy, UT (US)
- (73) Assignee: **Gizmode, LLC**, St. George, UT (US)

- D336,861 S 6/1993 Nicholas
- D476,586 S 7/2003 Nash
- 6,611,769 B2 8/2003 Olson
- 6,690,281 B2 2/2004 Palmer
- 6,873,263 B1 3/2005 Hohman
- 6,972,395 B2 12/2005 Jones
- D527,291 S 8/2006 Bixler
- D618,567 S 6/2010 Brooking
- 7,733,234 B2 6/2010 Montgomery

(Continued)

- (**) Term: **14 Years**
- (21) Appl. No.: **29/444,821**
- (22) Filed: **Feb. 4, 2013**

OTHER PUBLICATIONS

The Water Alarm, <http://www.thewateralarm.com>, pp. 1-2, accessed Mar. 2, 2010.

(Continued)

Related U.S. Application Data

- (63) Continuation of application No. 29/398,133, filed on Jul. 26, 2011, now Pat. No. Des. 675,543.
- (51) **LOC (10) Cl.** **10-04**
- (52) **U.S. Cl.**
USPC **D10/56**
- (58) **Field of Classification Search**
USPC D10/56; 73/40, 116; 340/602, 603, 604,
340/605, 618, 620; 361/93.6; 169/60;
250/208.2; 356/244
See application file for complete search history.

Primary Examiner — Antoine D Davis

(74) *Attorney, Agent, or Firm* — Warren M. Pate; Pate Peterson, PLLC

(57) **CLAIM**

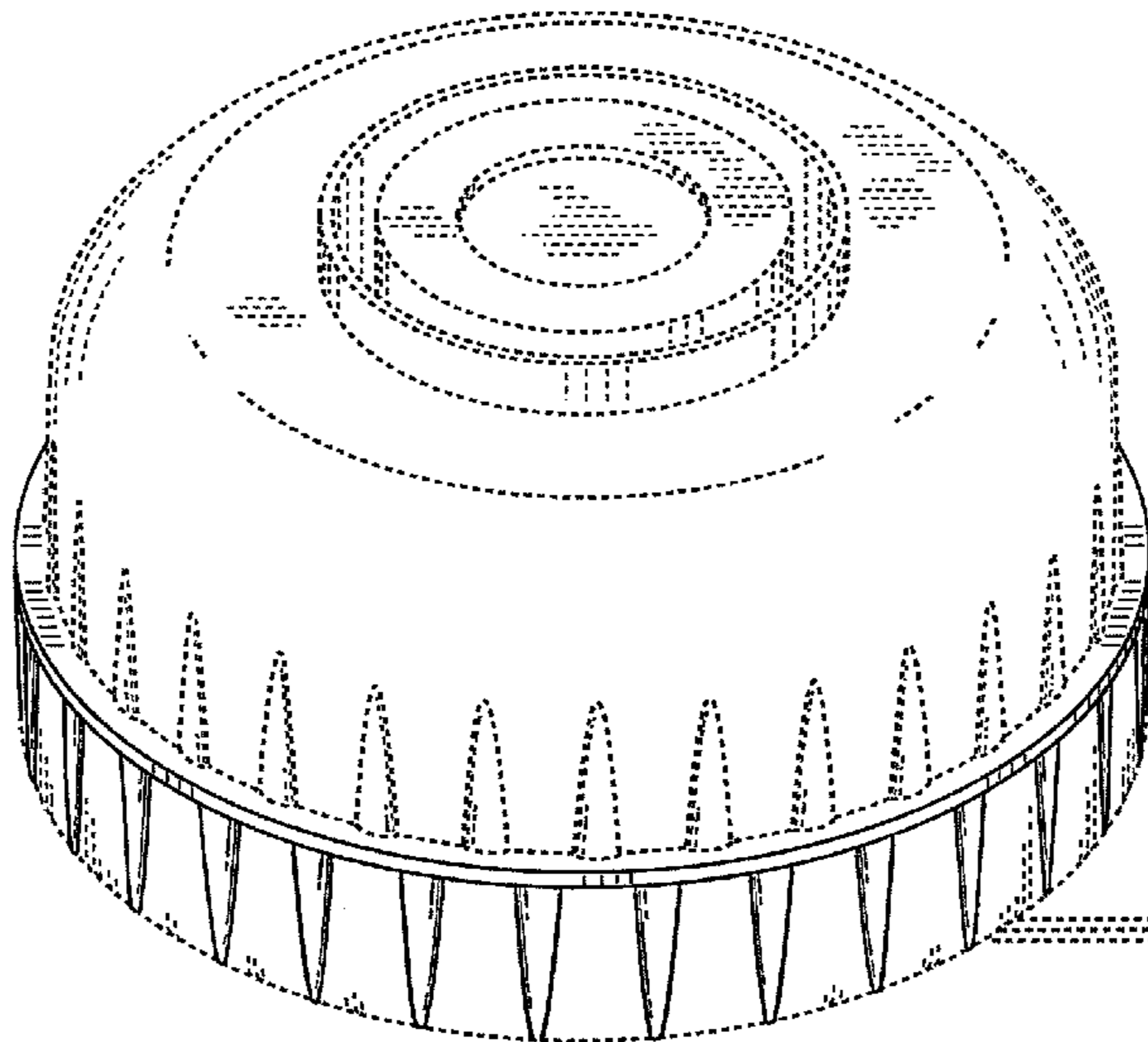
The ornamental design for a base pattern for moisture detection device, as shown and described.

DESCRIPTION

FIG. 1 is a perspective view of a base pattern for moisture detection device in accordance with our new design; FIG. 2 is a front elevation view of the design of FIG. 1; FIG. 3 is a rear elevation view of the design of FIG. 1; FIG. 4 is a first side elevation view of the design of FIG. 1; FIG. 5 is a second, opposite side elevation view of the design of FIG. 1; FIG. 6 is a top plan view of the design of FIG. 1; and, FIG. 7 is a bottom plan view of the design of FIG. 1. The broken lines represent portions of the design that form no part of the claim.

- (56) **References Cited**
U.S. PATENT DOCUMENTS
- 3,696,007 A 10/1972 Bennett et al.
- 3,808,385 A 4/1974 Klinefelter
- D261,243 S 10/1981 Mintz
- D261,998 S 11/1981 Munz
- D265,465 S 7/1982 Baldwin
- 4,484,573 A 11/1984 Yoo
- 5,180,554 A 1/1993 Yamaguchi et al.

1 Claim, 4 Drawing Sheets



(56)

References Cited

U.S. PATENT DOCUMENTS

D619,023	S	7/2010	Brooking	
8,184,009	B1	5/2012	Kim	
D675,543	S	2/2013	Brooking et al.	
D675,544	S	2/2013	Brooking et al.	
D675,945	S	2/2013	Brooking et al.	
2007/0193342	A1	8/2007	Bailey et al.	
2008/0289834	A1*	11/2008	Edwards et al.	169/60
2009/0250595	A1*	10/2009	Kalitsis et al.	250/208.2
2010/0154507	A1	6/2010	Matonick	

OTHER PUBLICATIONS

Water Alarm, <http://www.amazon.com/Water-Alarm-Detects-Leaks-Saves/dp/B000JOK11K>, pp. 1-5, accessed Mar. 2, 2010.

General Tools WA500 Water Leak Alarm, http://www.amazon.com/General-Tools-WA500-Water-Alarm/dp/B001CEIFNW/ref=pd_sbs_k_4, pp. 1-5, accessed Mar. 2, 2010.

The Original Water Alarm, <http://www.thewateralarm.com/wateralarm/products/The-Original-Water-Alarm.html>, 1 page, accessed Feb. 28, 2013.

* cited by examiner

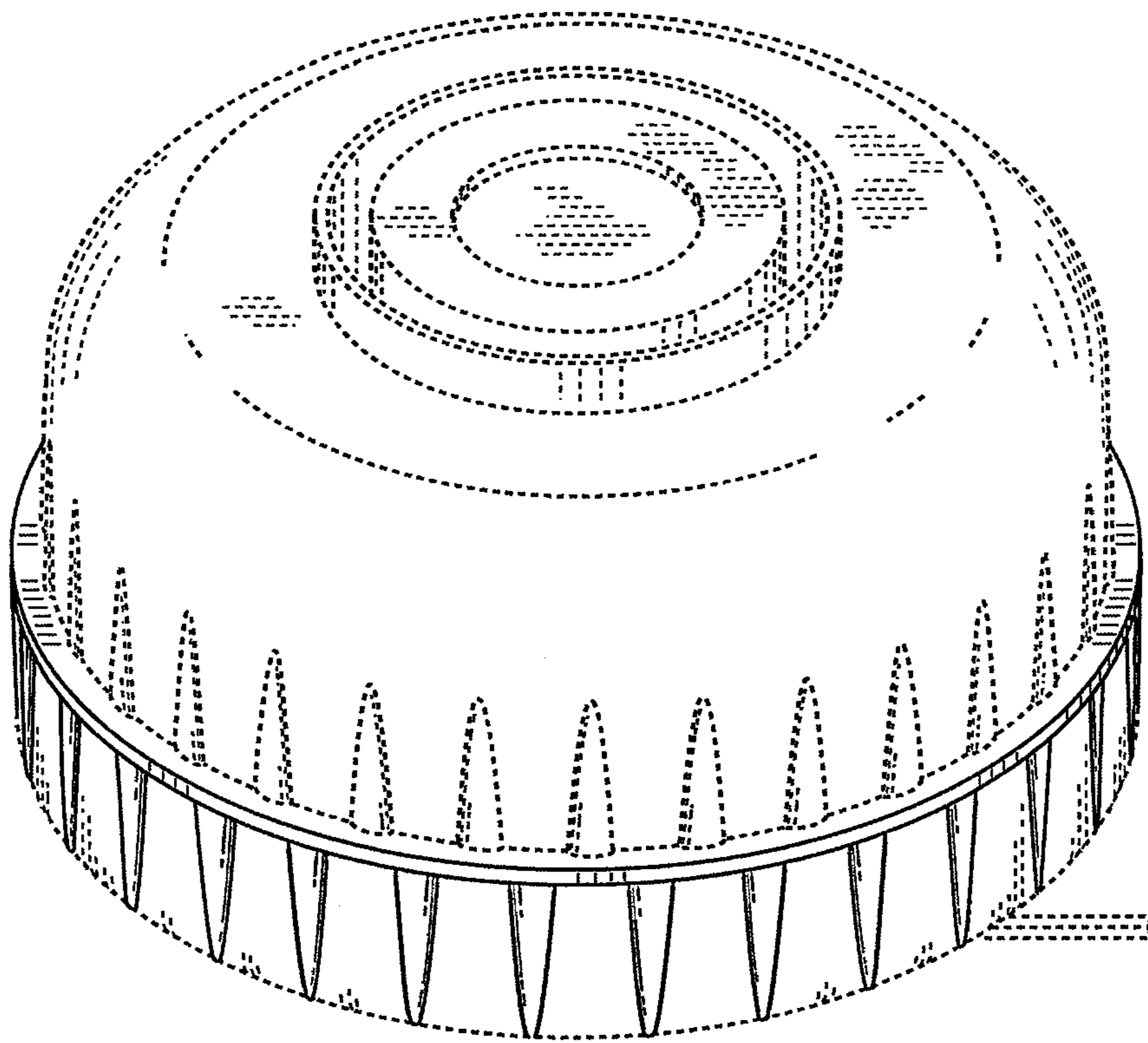


FIG. 1

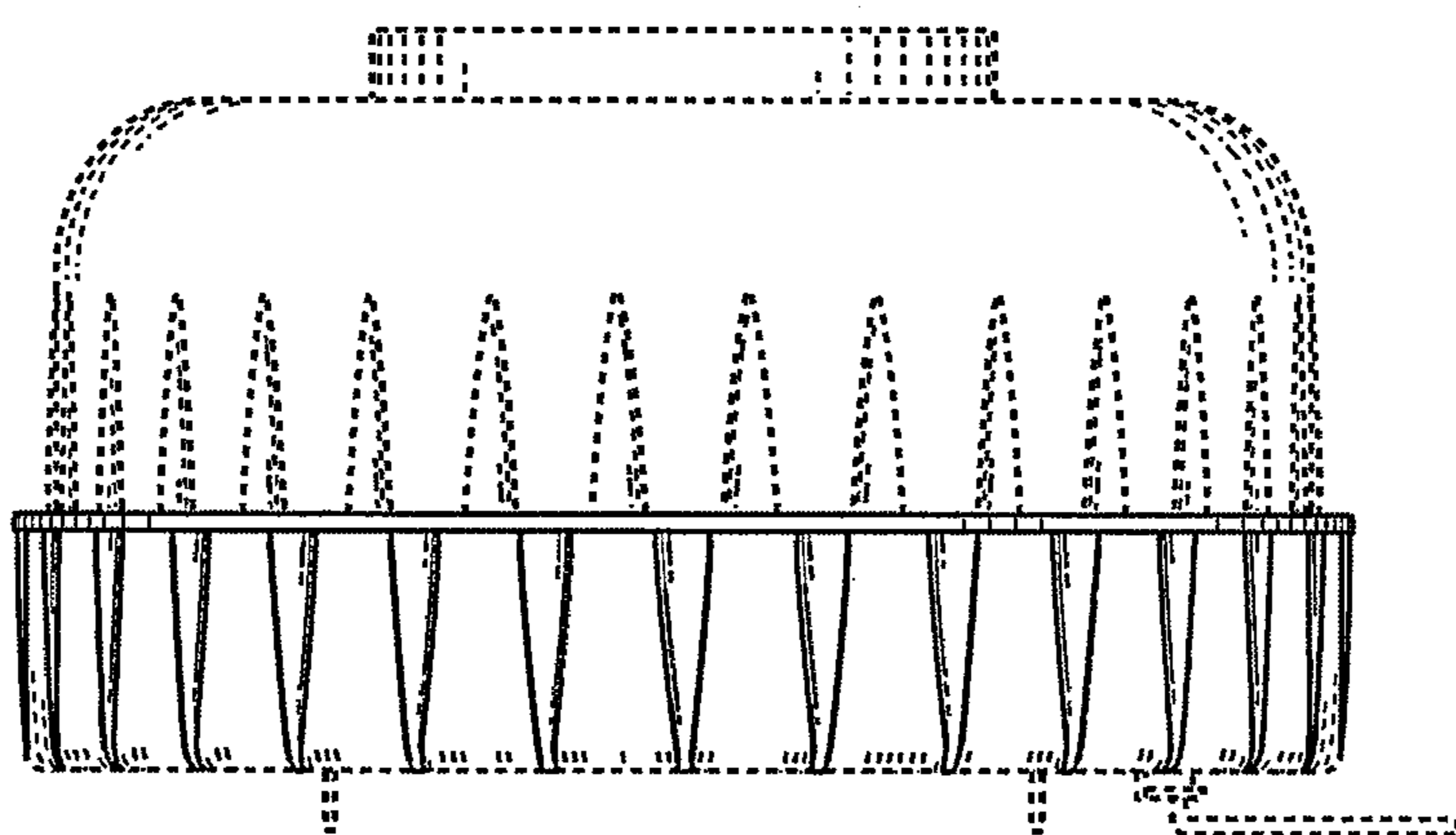


FIG. 2

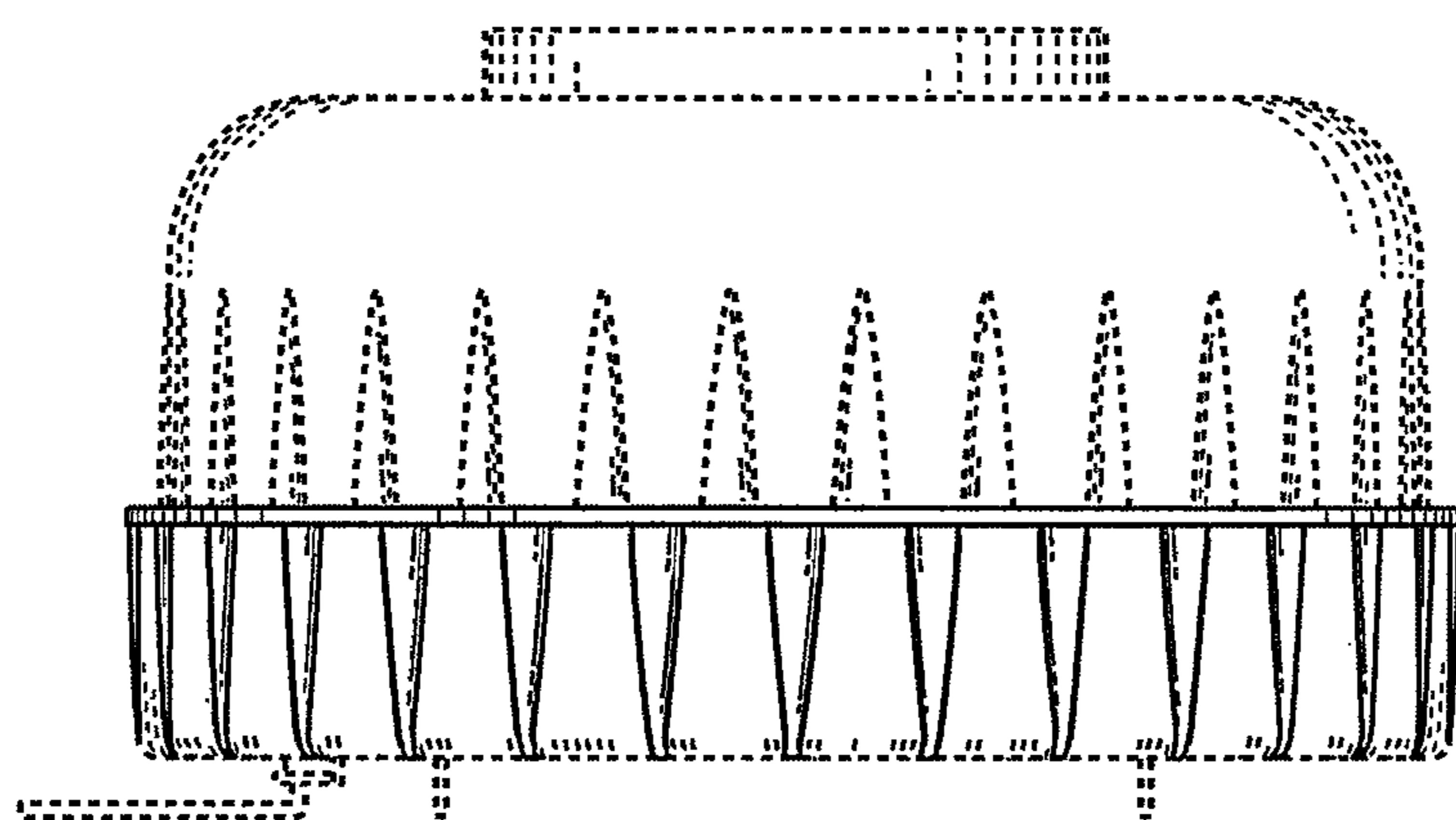


FIG. 3

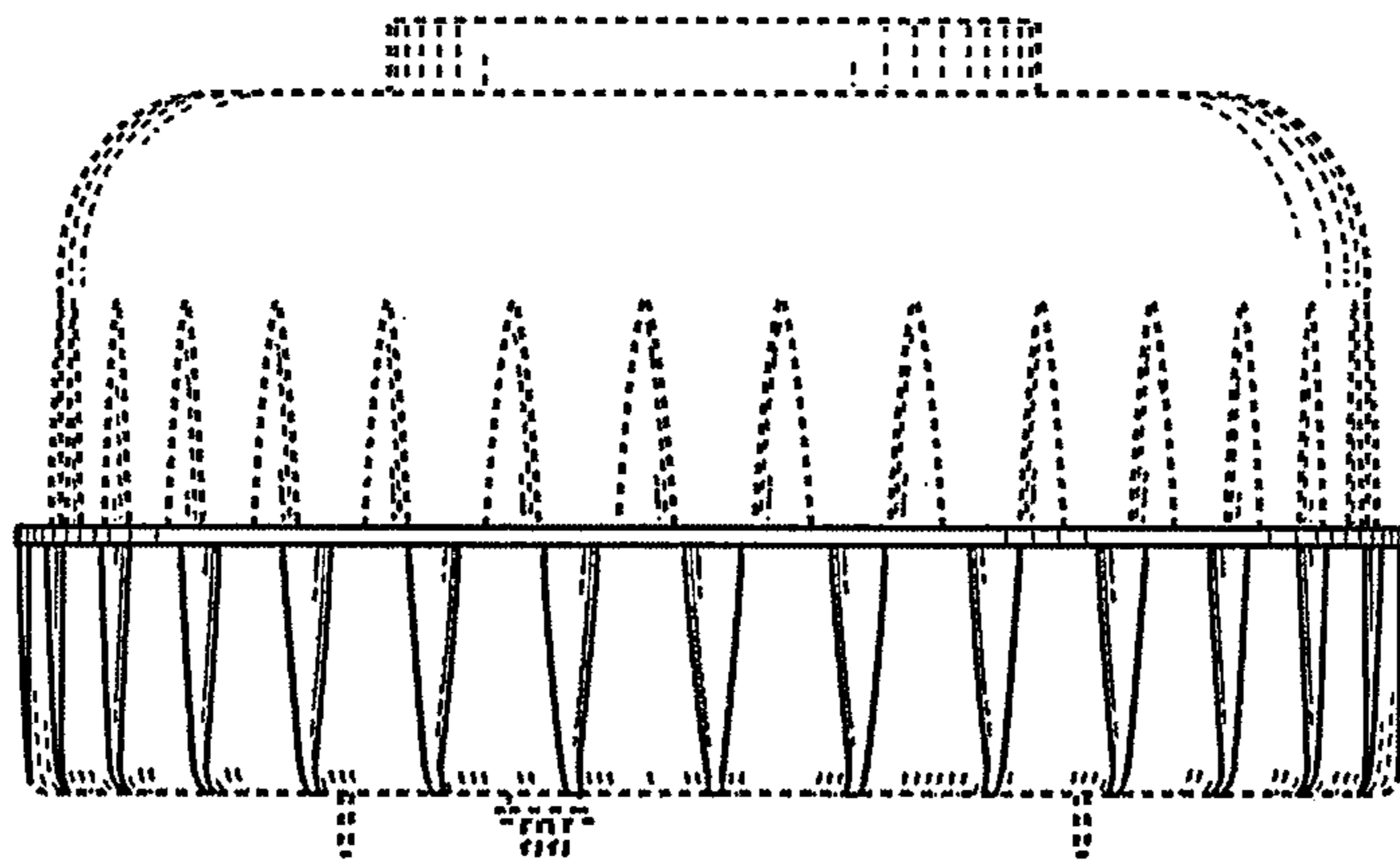


FIG. 4

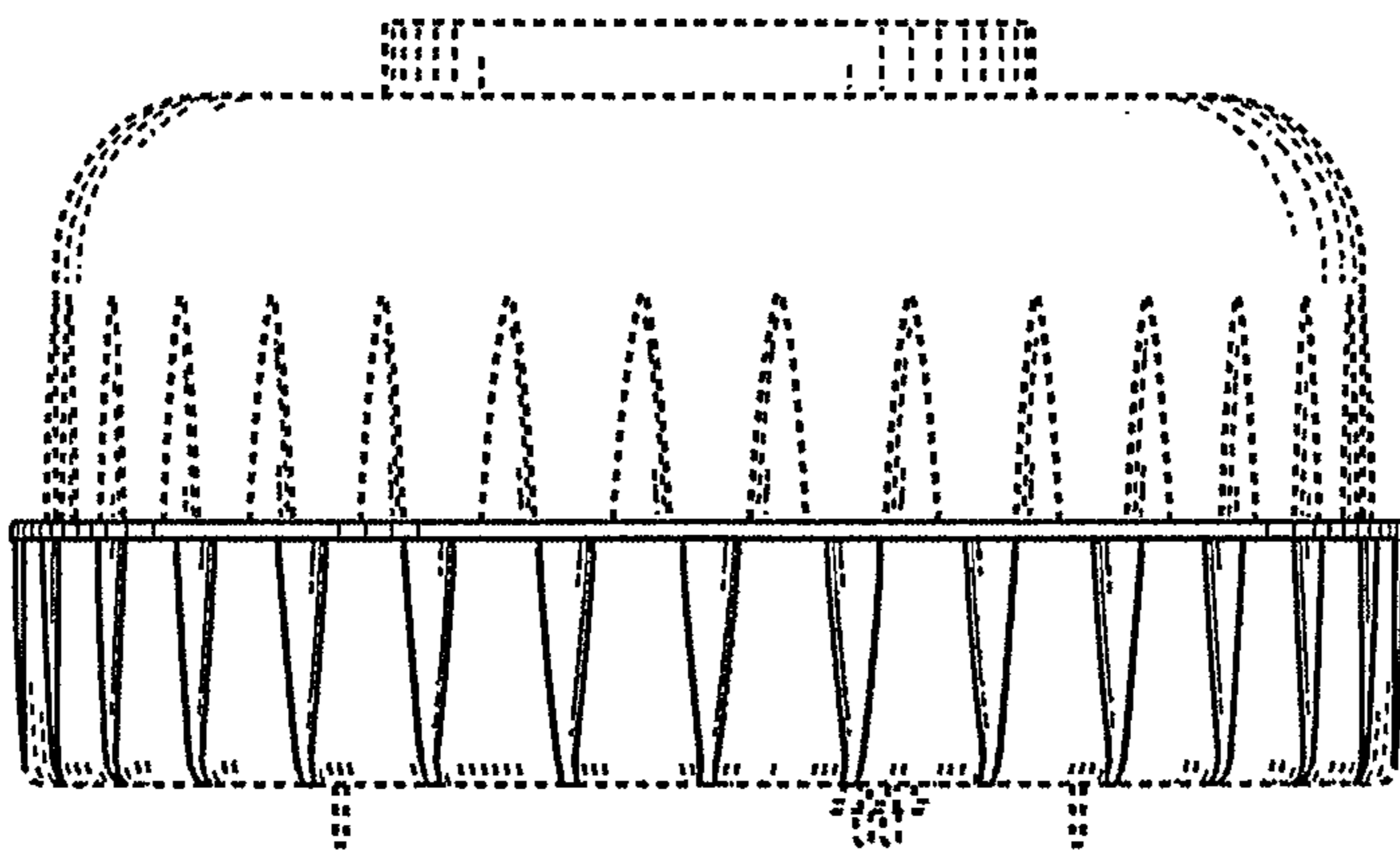


FIG. 5

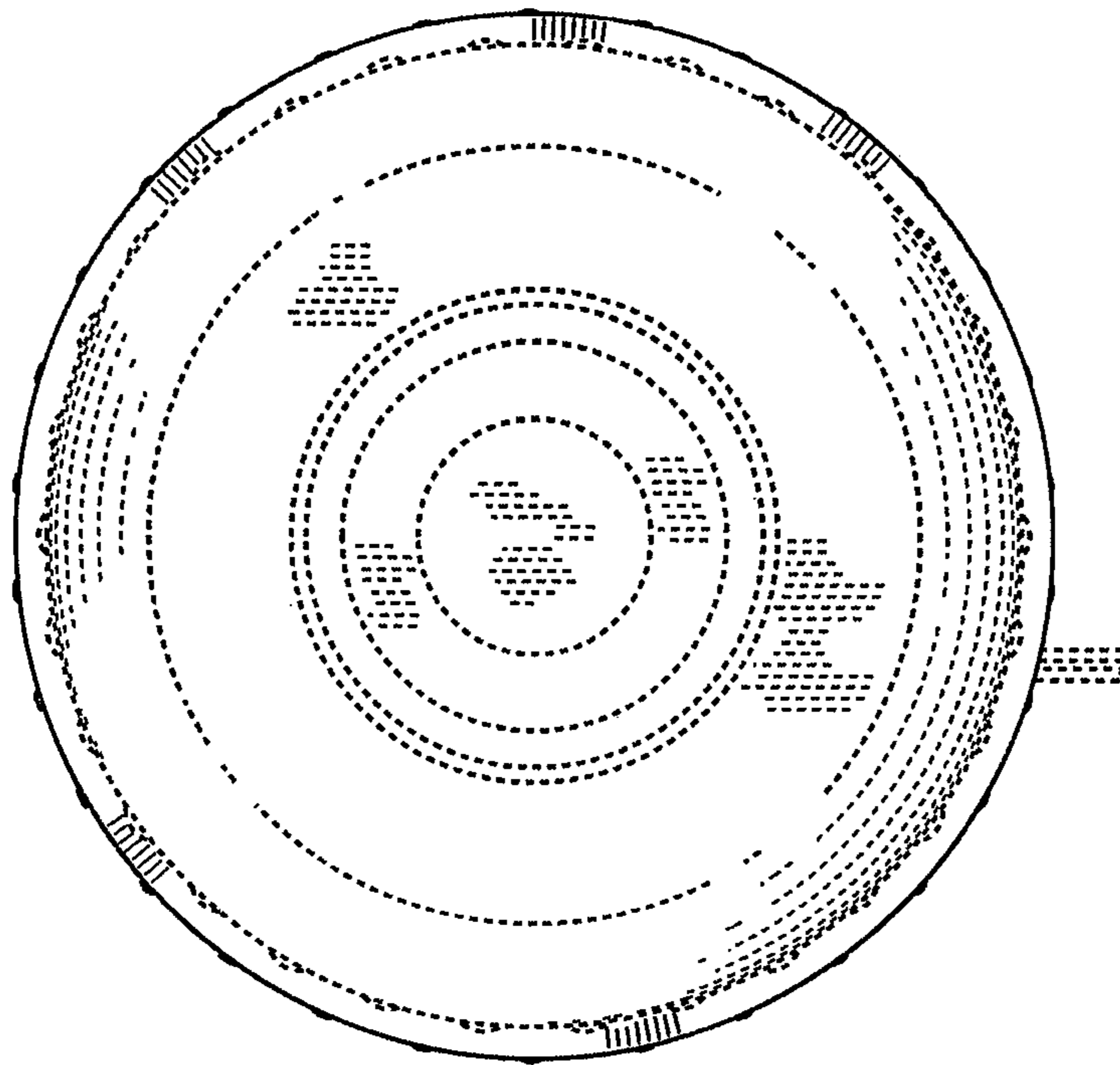


FIG. 6

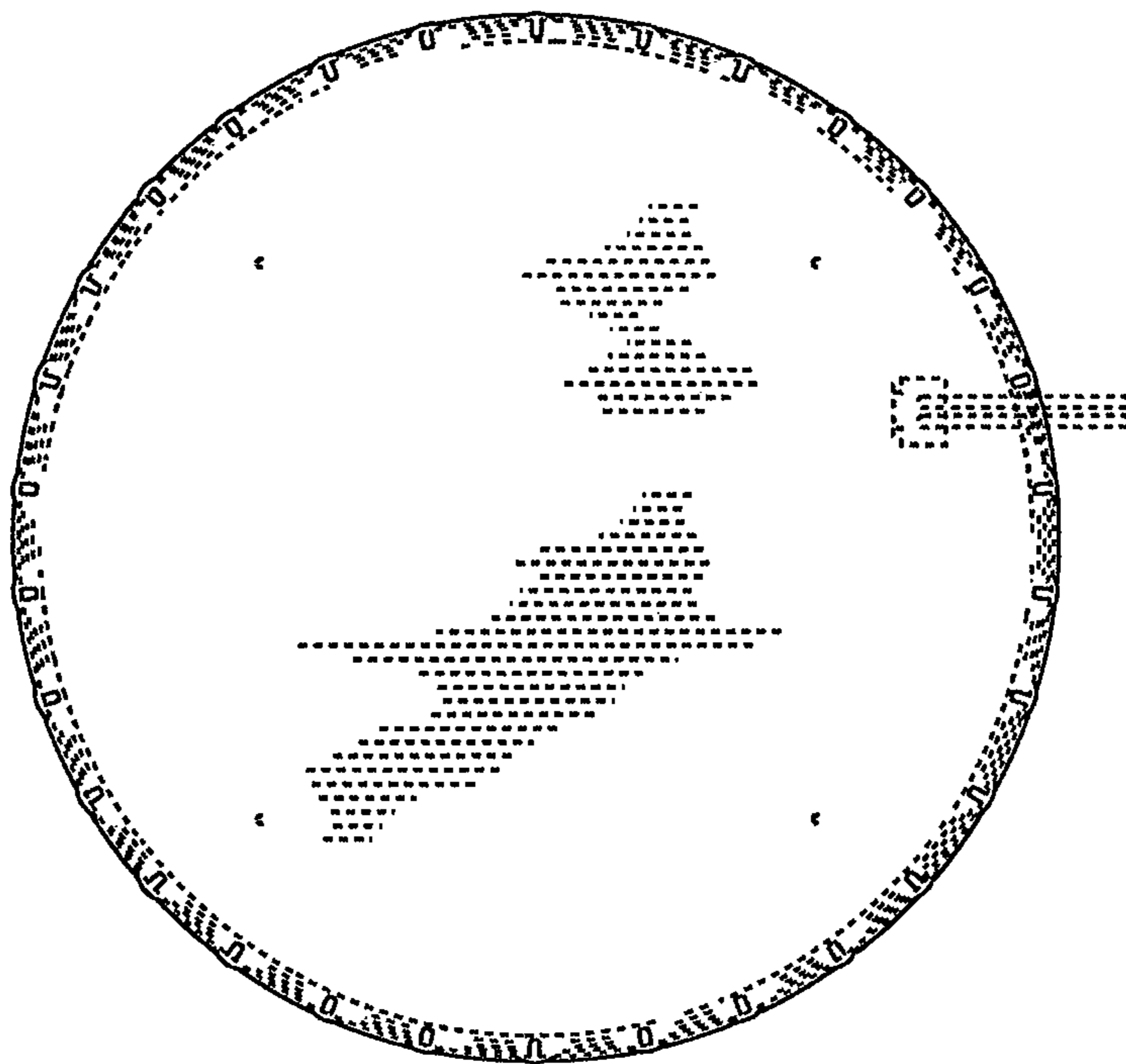


FIG. 7