



US00D705095S

(12) **United States Design Patent**  
**Steinberg et al.**

(10) **Patent No.:** **US D705,095 S**  
(45) **Date of Patent:** **\*\* May 20, 2014**

(54) **THERMOSTAT**

**DESCRIPTION**

(71) Applicant: **EcoFactor, Inc.**, Millbrae, CA (US)  
(72) Inventors: **John Douglas Steinberg**, Millbrae, CA (US); **Bradley S. Richter**, San Mateo, CA (US)  
(73) Assignee: **EcoFactor, Inc.**, Millbrae, CA (US)  
(\*\*) Term: **14 Years**  
(21) Appl. No.: **29/466,697**  
(22) Filed: **Sep. 10, 2013**  
(51) **LOC (10) Cl.** ..... **10-04**  
(52) **U.S. Cl.**  
USPC ..... **D10/50**  
(58) **Field of Classification Search**  
USPC ..... D10/49-50; D13/162; 55/270, 274, 55/279, DIG. 7, 34; 62/176.6, 125-130, 62/78, 180, 186; 73/23.2, 23.34, 31.01, 73/31.02, 431, 170.16-170.19, 73/170.21-170.25, 863.12, 29, 29.02, 73/335.01-335.14; 236/46 R, 47, 94, 44 C, 236/44 R, 49.3, 44 A, 96; 337/112, 327, 360; 340/602, 627, 632, 634; 361/346; 364/141, 146, 147, 188, 420, 557; 454/229, 239, 256, 257, 258; 700/18, 700/159, 181, 278  
See application file for complete search history.

(56) **References Cited**

**U.S. PATENT DOCUMENTS**

D646,990 S \* 10/2011 Rhodes ..... D10/50  
D659,560 S \* 5/2012 Rhodes ..... D10/50  
D673,467 S \* 1/2013 Lee et al. .... D10/50

*Primary Examiner* — Antoine D Davis

(74) *Attorney, Agent, or Firm* — Knobbe, Martens, Olson & Bear, LLP

(57) **CLAIM**

The ornamental design for a thermostat, as shown and described.

FIG. 1 is a perspective view of a first variation of a first embodiment of a thermostat, showing my new design with an edge panel disposed along a right edge.  
FIG. 2 is the perspective view of FIG. 1, showing a photograph or other flat sheet (not claimed) being inserted in the thermostat.  
FIG. 3 is a top plan view thereof.  
FIG. 4 is a left side elevational view thereof.  
FIG. 5 is a front elevational view thereof.  
FIG. 6 is a right side elevational view thereof.  
FIG. 7 is a bottom plan view thereof.  
FIG. 8 is a perspective view of a second variation of the first embodiment of the thermostat, showing my new design with an edge panel disposed along a left edge.  
FIG. 9 is the perspective view of FIG. 8, showing a photograph or other flat sheet (not claimed) being inserted in the thermostat.  
FIG. 10 is a top plan view thereof.  
FIG. 11 is a left side elevational view thereof.  
FIG. 12 is a front elevational view thereof.  
FIG. 13 is a right side elevational view thereof.  
FIG. 14 is a bottom plan view thereof.  
FIG. 15 is a perspective view of a third variation of the first embodiment of the thermostat, showing my new design with an edge panel disposed along a bottom edge.  
FIG. 16 is the perspective view of FIG. 15, showing a photograph or other flat sheet (not claimed) being inserted in the thermostat.  
FIG. 17 is a top plan view thereof.  
FIG. 18 is a left side elevational view thereof.  
FIG. 19 is a front elevational view thereof.  
FIG. 20 is a right side elevational view thereof.  
FIG. 21 is a bottom plan view thereof.  
FIG. 22 is a perspective view of a fourth variation of the first embodiment of the thermostat, showing my new design with an edge panel disposed along a top edge.  
FIG. 23 is the perspective view of FIG. 22, showing a photograph or other flat sheet (not claimed) being inserted in the thermostat.  
FIG. 24 is a top plan view thereof.  
FIG. 25 is a left side elevational view thereof.  
FIG. 26 is a front elevational view thereof.

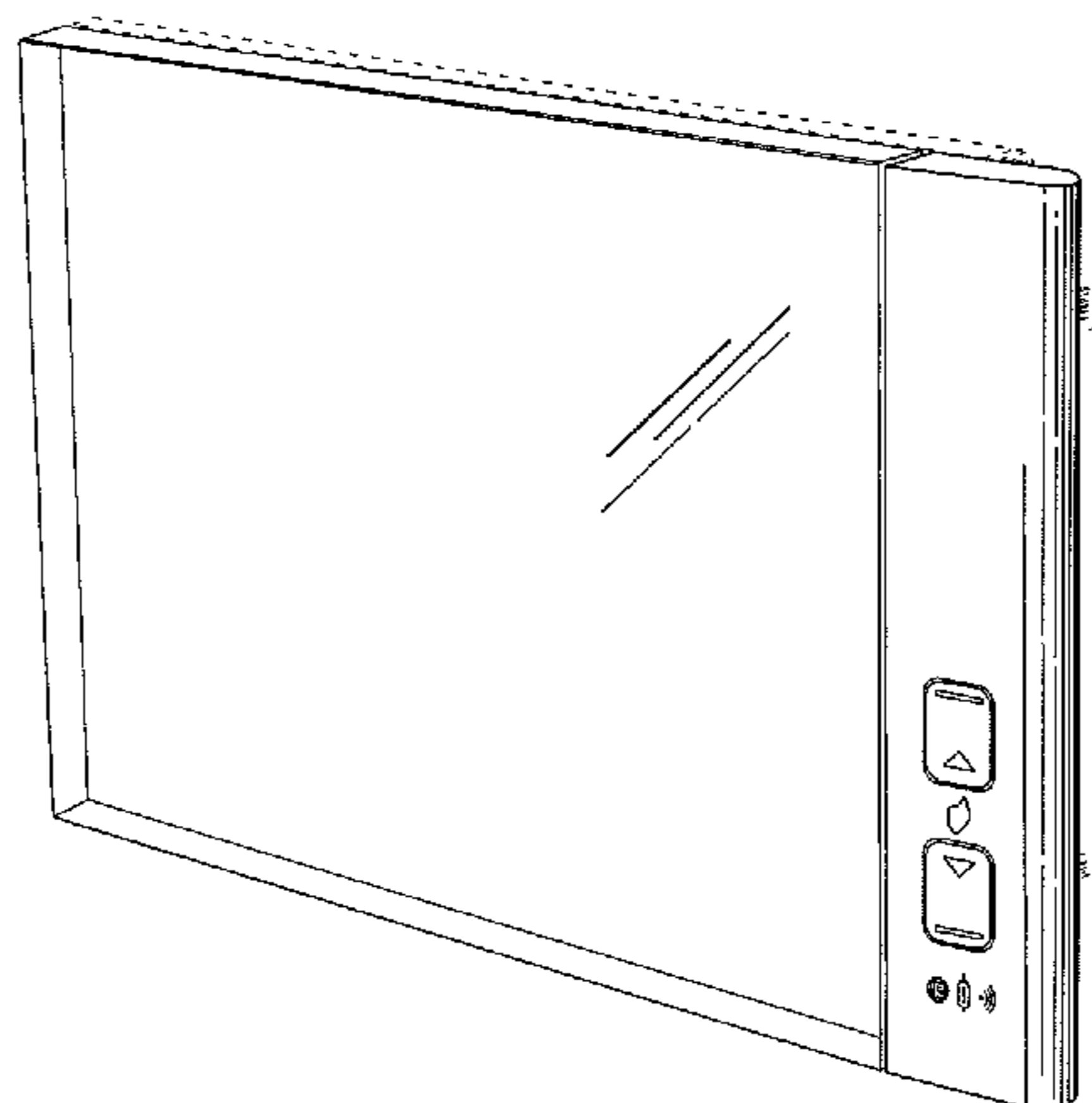


FIG. 27 is a right side elevational view thereof.

FIG. 28 is a bottom plan view thereof.

FIG. 29 is a perspective view of a first variation of a second embodiment of a thermostat, showing my new design with an unclaimed edge panel disposed along a right edge.

FIG. 30 is the perspective view of FIG. 29, showing a photograph or other flat sheet (not claimed) being inserted in the thermostat.

FIG. 31 is a top plan view thereof.

FIG. 32 is a left side elevational view thereof.

FIG. 33 is a front elevational view thereof.

FIG. 34 is a right side elevational view thereof.

FIG. 35 is a bottom plan view thereof.

FIG. 36 is a perspective view of a second variation of the second embodiment of the thermostat, showing my new design with an unclaimed edge panel disposed along a left edge.

FIG. 37 is the perspective view of FIG. 36, showing a photograph or other flat sheet (not claimed) being inserted in the thermostat.

FIG. 38 is a top plan view thereof.

FIG. 39 is a left side elevational view thereof.

FIG. 40 is a front elevational view thereof.

FIG. 41 is a right side elevational view thereof.

FIG. 42 is a bottom plan view thereof.

FIG. 43 is a perspective view of a third variation of the second embodiment of the thermostat, showing my new design with an unclaimed edge panel disposed along a bottom edge.

FIG. 44 is the perspective view of FIG. 43, showing a photograph or other flat sheet (not claimed) being inserted in the thermostat.

FIG. 45 is a top plan view thereof.

FIG. 46 is a left side elevational view thereof.

FIG. 47 is a front elevational view thereof.

FIG. 48 is a right side elevational view thereof.

FIG. 49 is a bottom plan view thereof.

FIG. 50 is a perspective view of a fourth variation of the second embodiment of the thermostat, showing my new design with an unclaimed edge panel disposed along a top edge.

FIG. 51 is the perspective view of FIG. 50, showing a photograph or other flat sheet (not claimed) being inserted in the thermostat.

FIG. 52 is a top plan view thereof.

FIG. 53 is a left side elevational view thereof.

FIG. 54 is a front elevational view thereof.

FIG. 55 is a right side elevational view thereof.

FIG. 56 is a bottom plan view thereof.

FIG. 57 is a perspective view of a first variation of a third embodiment of a thermostat, showing my new design with an edge panel disposed along a right edge.

FIG. 58 is the perspective view of FIG. 57, showing a photograph or other flat sheet (not claimed) being inserted in the thermostat.

FIG. 59 is a top plan view thereof.

FIG. 60 is a left side elevational view thereof.

FIG. 61 is a front elevational view thereof.

FIG. 62 is a right side elevational view thereof.

FIG. 63 is a bottom plan view thereof.

FIG. 64 is a perspective view of a second variation of the third embodiment of the thermostat, showing my new design with an edge panel disposed along a left edge.

FIG. 65 is the perspective view of FIG. 64, showing a photograph or other flat sheet (not claimed) being inserted in the thermostat.

FIG. 66 is a top plan view thereof.

FIG. 67 is a left side elevational view thereof.

FIG. 68 is a front elevational view thereof.

FIG. 69 is a right side elevational view thereof.

FIG. 70 is a bottom plan view thereof.

FIG. 71 is a perspective view of a third variation of the third embodiment of the thermostat, showing my new design with an edge panel disposed along a bottom edge.

FIG. 72 is the perspective view of FIG. 71, showing a photograph or other flat sheet (not claimed) being inserted in the thermostat.

FIG. 73 is a top plan view thereof.

FIG. 74 is a left side elevational view thereof.

FIG. 75 is a front elevational view thereof.

FIG. 76 is a right side elevational view thereof.

FIG. 77 is a bottom plan view thereof.

FIG. 78 is a perspective view of a fourth variation of the third embodiment of the thermostat, showing my new design with an edge panel disposed along a top edge.

FIG. 79 is the perspective view of FIG. 78, showing a photograph or other flat sheet (not claimed) being inserted in the thermostat.

FIG. 80 is a top plan view thereof.

FIG. 81 is a left side elevational view thereof.

FIG. 82 is a front elevational view thereof.

FIG. 83 is a right side elevational view thereof.

FIG. 84 is a bottom plan view thereof.

FIG. 85 is a perspective view of a first variation of a fourth embodiment of a thermostat, showing my new design with an edge panel disposed along a right edge.

FIG. 86 is the perspective view of FIG. 85, showing a photograph or other flat sheet (not claimed) being inserted in the thermostat.

FIG. 87 is a top plan view thereof.

FIG. 88 is a left side elevational view thereof.

FIG. 89 is a front elevational view thereof.

FIG. 90 is a right side elevational view thereof.

FIG. 91 is a bottom plan view thereof.

FIG. 92 is a perspective view of a second variation of the fourth embodiment of the thermostat, showing my new design with an edge panel disposed along a left edge.

FIG. 93 is the perspective view of FIG. 92, showing a photograph or other flat sheet (not claimed) being inserted in the thermostat.

FIG. 94 is a top plan view thereof.

FIG. 95 is a left side elevational view thereof.

FIG. 96 is a front elevational view thereof.

FIG. 97 is a right side elevational view thereof.

FIG. 98 is a bottom plan view thereof.

FIG. 99 is a perspective view of a third variation of the fourth embodiment of the thermostat, showing my new design with an edge panel disposed along a bottom edge.

FIG. 100 is the perspective view of FIG. 99, showing a photograph or other flat sheet (not claimed) being inserted in the thermostat.

FIG. 101 is a top plan view thereof.

FIG. 102 is a left side elevational view thereof.

FIG. 103 is a front elevational view thereof.

FIG. 104 is a right side elevational view thereof.

FIG. 105 is a bottom plan view thereof.

FIG. 106 is a perspective view of a fourth variation of the fourth embodiment of the thermostat, showing my new design with an edge panel disposed along a top edge.

FIG. 107 is the perspective view of FIG. 106, showing a photograph or other flat sheet (not claimed) being inserted in the thermostat.

FIG. 108 is a top plan view thereof.

FIG. 109 is a left side elevational view thereof.

FIG. 110 is a front elevational view thereof.

FIG. 111 is a right side elevational view thereof.

FIG. 112 is a bottom plan view thereof.

FIG. 113 is a perspective view of a first variation of a fifth embodiment of a thermostat, showing my new design with an edge panel disposed along a right edge.

FIG. 114 is the perspective view of FIG. 113, showing a photograph or other flat sheet (not claimed) being inserted in the thermostat.

FIG. 115 is a top plan view thereof.

FIG. 116 is a left side elevational view thereof.

FIG. 117 is a front elevational view thereof.

FIG. 118 is a right side elevational view thereof.

FIG. 119 is a bottom plan view thereof.

FIG. 120 is a perspective view of a second variation of the fifth embodiment of the thermostat, showing my new design with an edge panel disposed along a left edge.

FIG. 121 is the perspective view of FIG. 120, showing a photograph or other flat sheet (not claimed) being inserted in the thermostat.

FIG. 122 is a top plan view thereof.

FIG. 123 is a left side elevational view thereof.

FIG. 124 is a front elevational view thereof.

FIG. 125 is a right side elevational view thereof.

FIG. 126 is a bottom plan view thereof.

FIG. 127 is a perspective view of a third variation of the fifth embodiment of the thermostat, showing my new design with an edge panel disposed along a bottom edge.

FIG. 128 is the perspective view of FIG. 127, showing a photograph or other flat sheet (not claimed) being inserted in the thermostat.

FIG. 129 is a top plan view thereof.

FIG. 130 is a left side elevational view thereof.

FIG. 131 is a front elevational view thereof.

FIG. 132 is a right side elevational view thereof.

FIG. 133 is a bottom plan view thereof.

FIG. 134 is a perspective view of a fourth variation of the fifth embodiment of the thermostat, showing my new design with an edge panel disposed along a top edge.

FIG. 135 is the perspective view of FIG. 134, showing a photograph or other flat sheet (not claimed) being inserted in the thermostat.

FIG. 136 is a top plan view thereof.

FIG. 137 is a left side elevational view thereof.

FIG. 138 is a front elevational view thereof.

FIG. 139 is a right side elevational view thereof; and,

FIG. 140 is a bottom plan view thereof.

The broken lines that appear throughout the figure set depict environmental elements that form no part of the claimed design. A rear elevational view of the design is not visible during normal use, and, accordingly, is not disclosed herein.

**1 Claim, 40 Drawing Sheets**

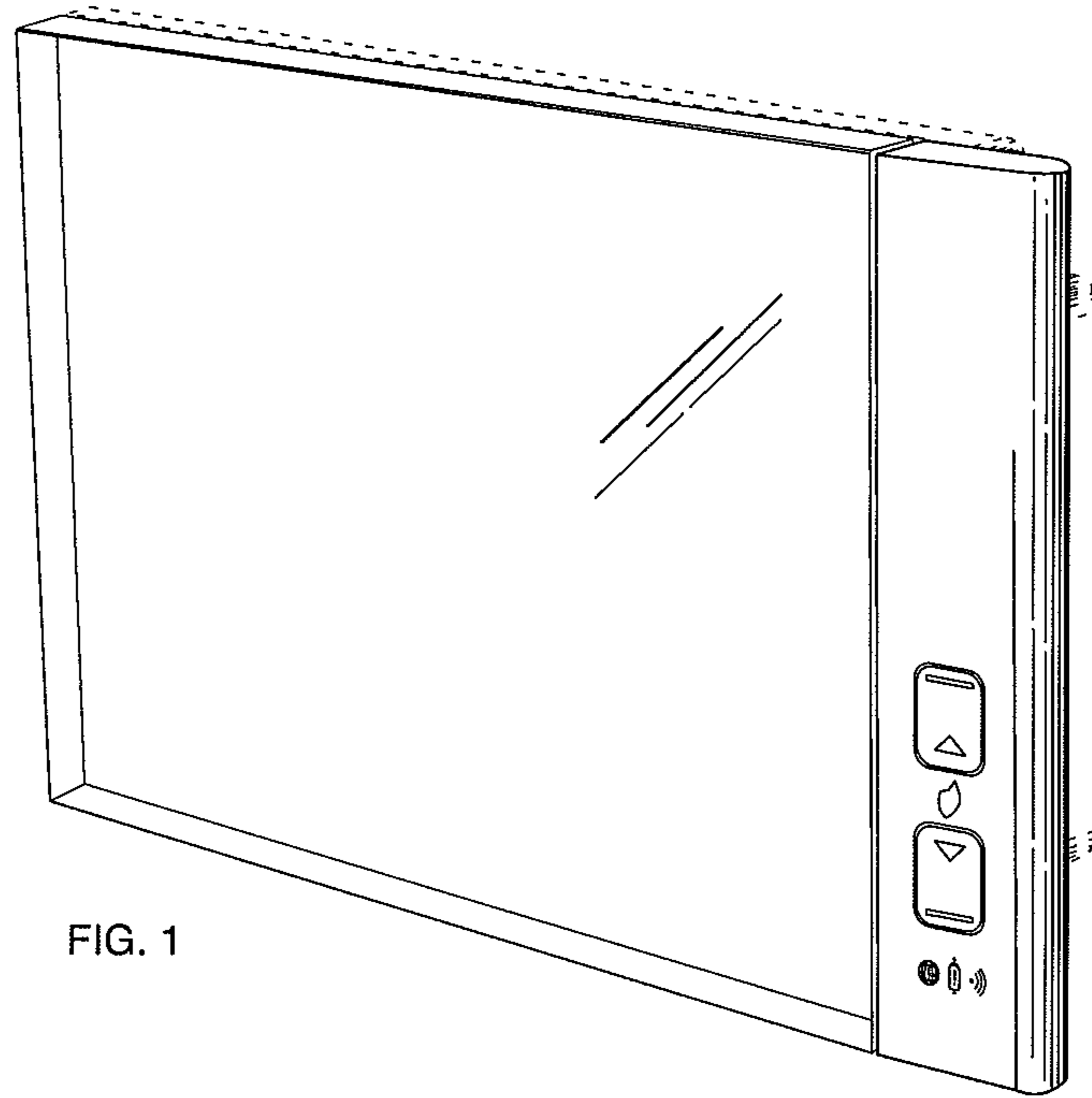


FIG. 1

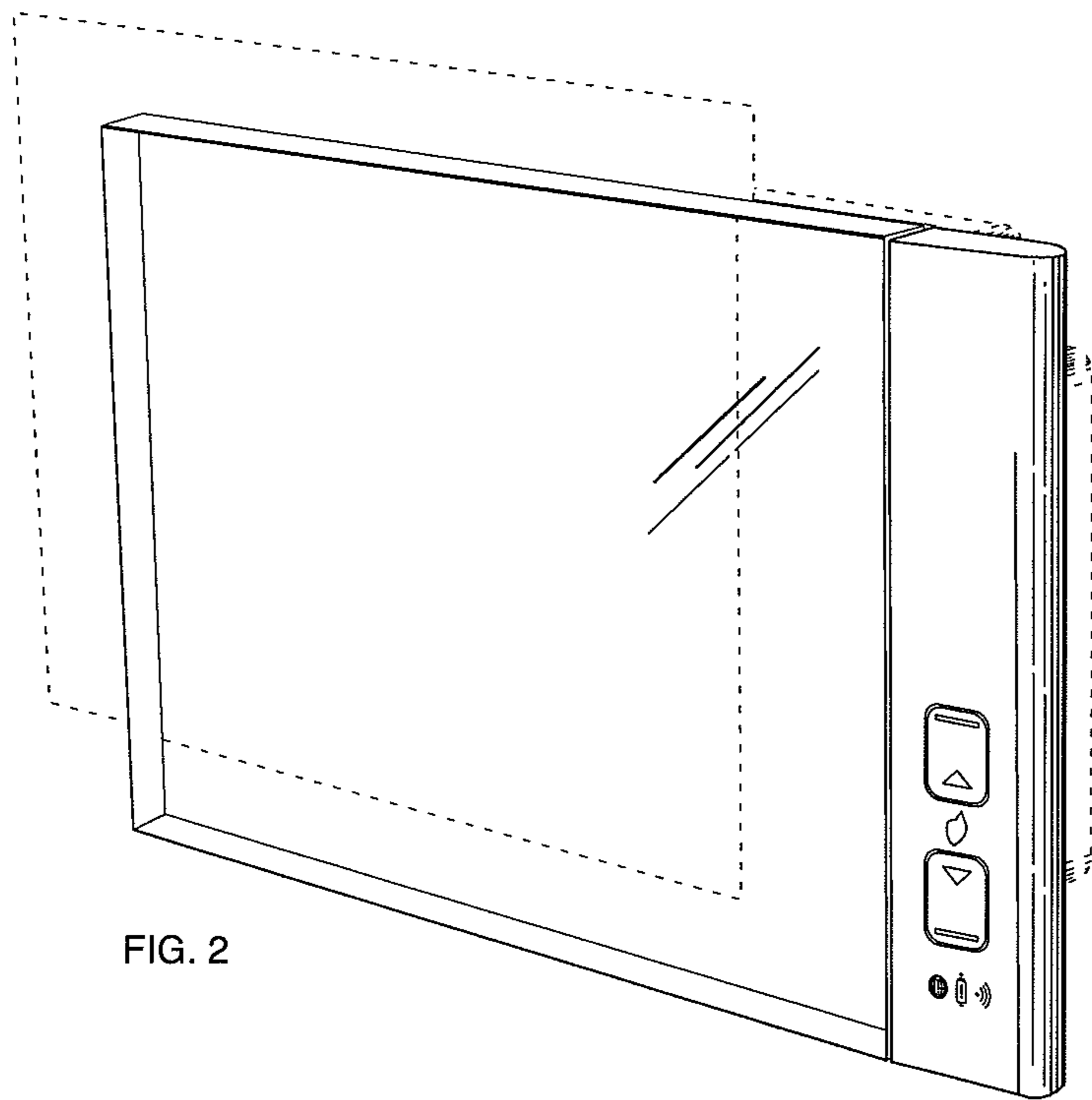


FIG. 2

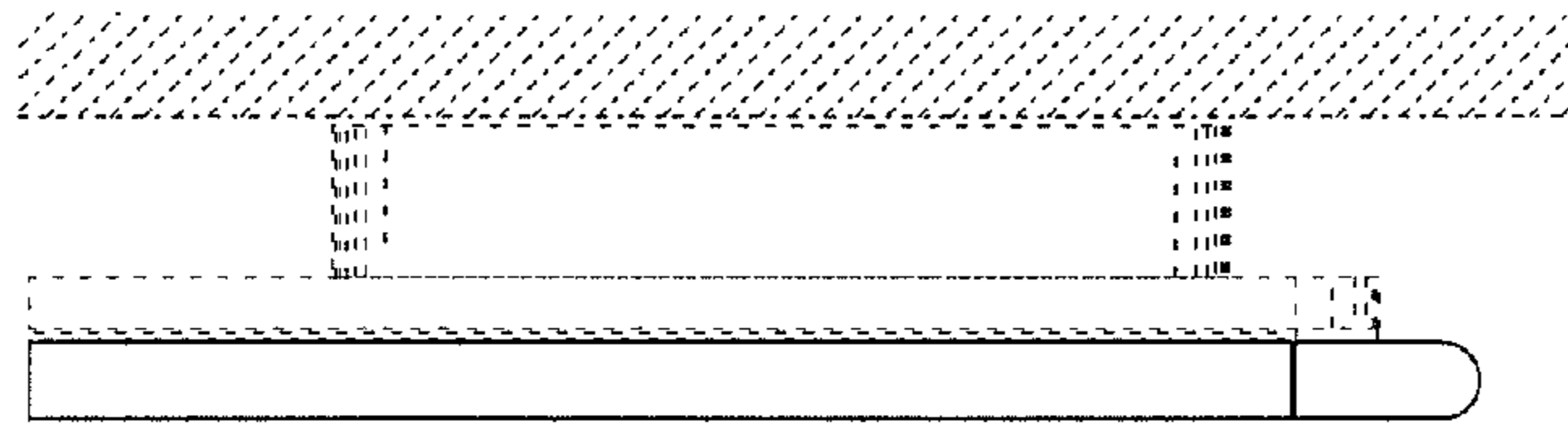


FIG. 3

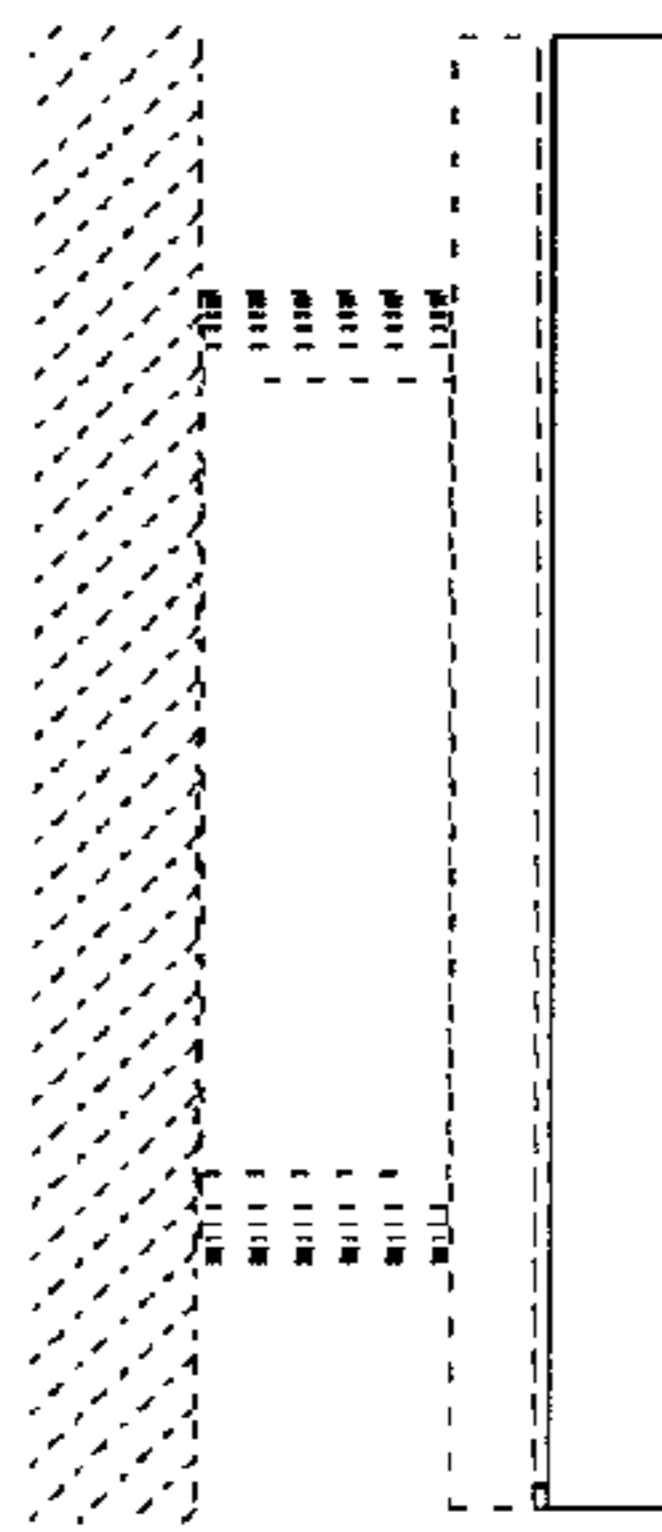


FIG. 4

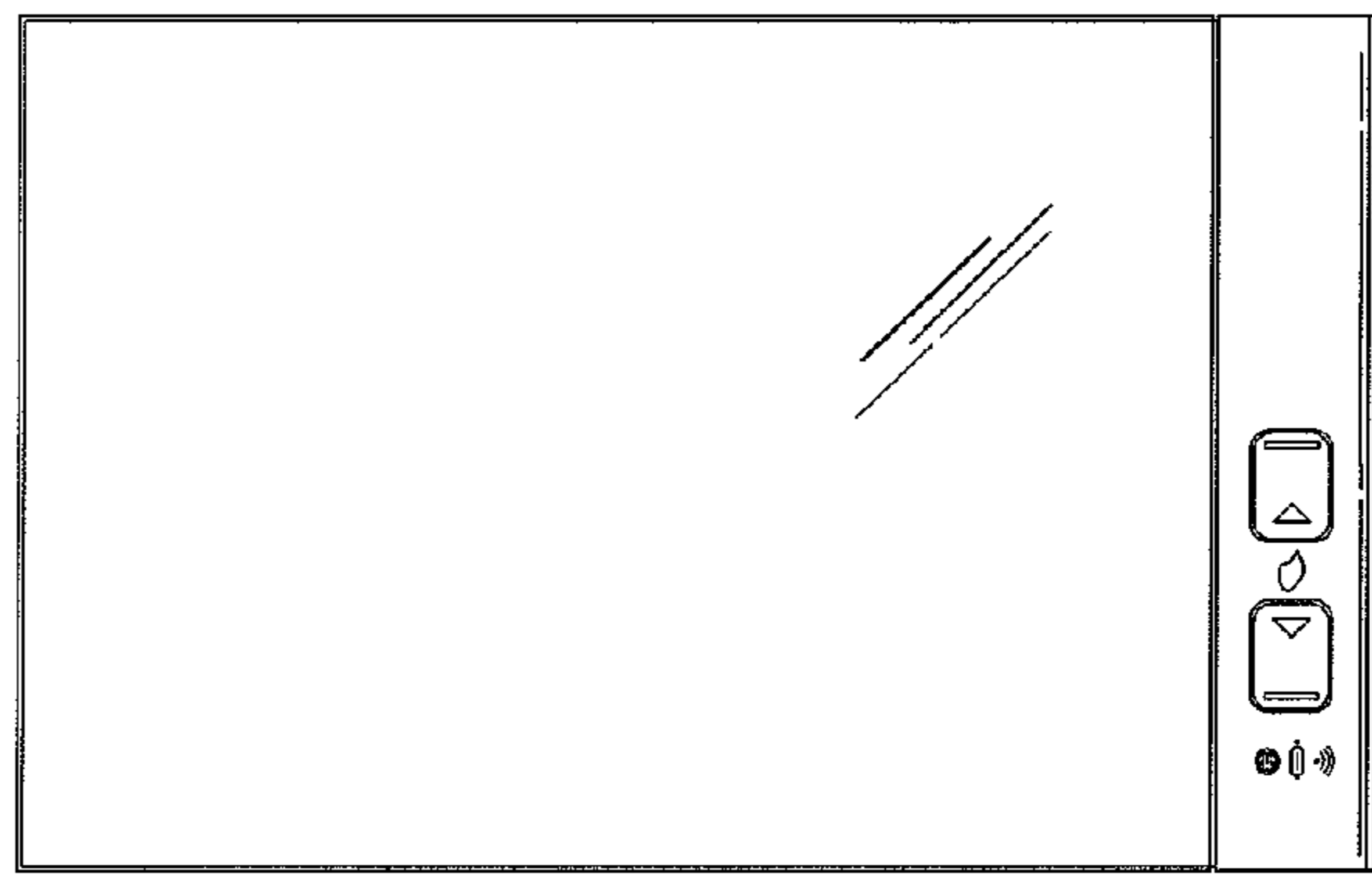


FIG. 5

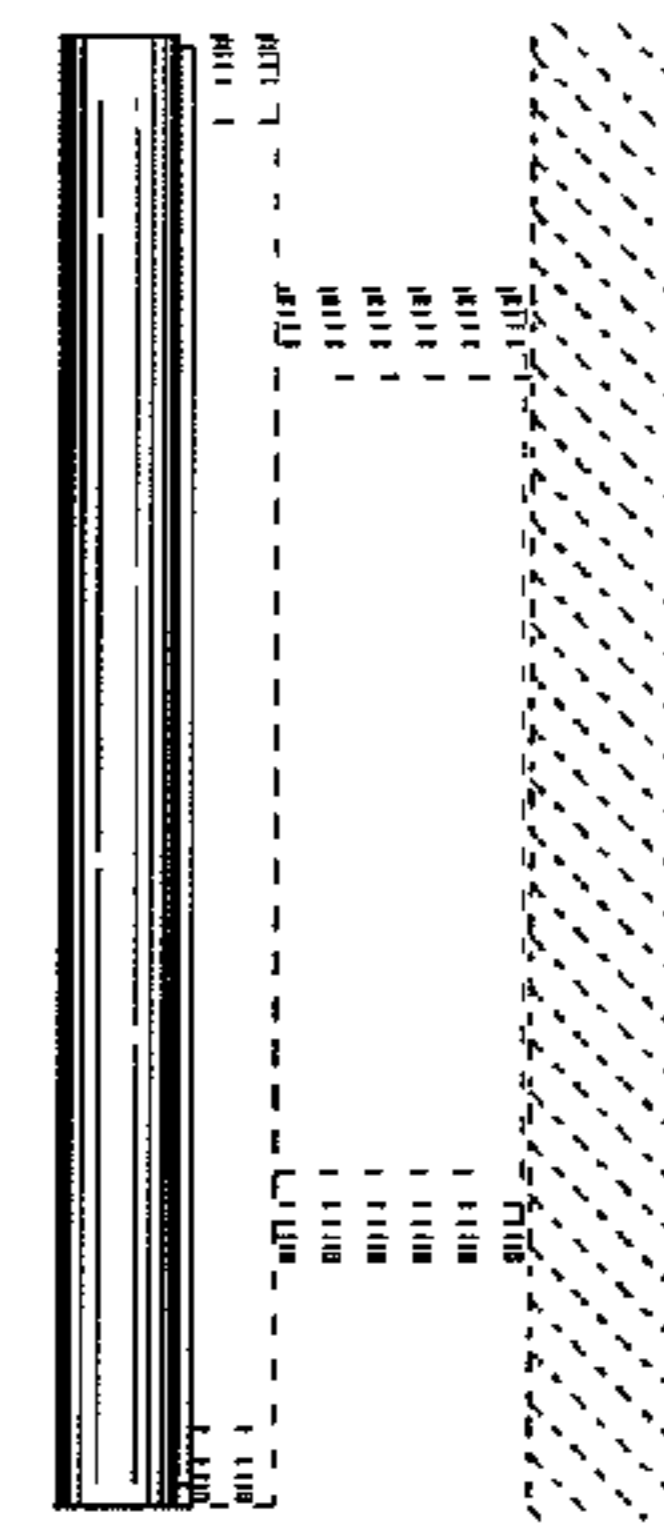


FIG. 6

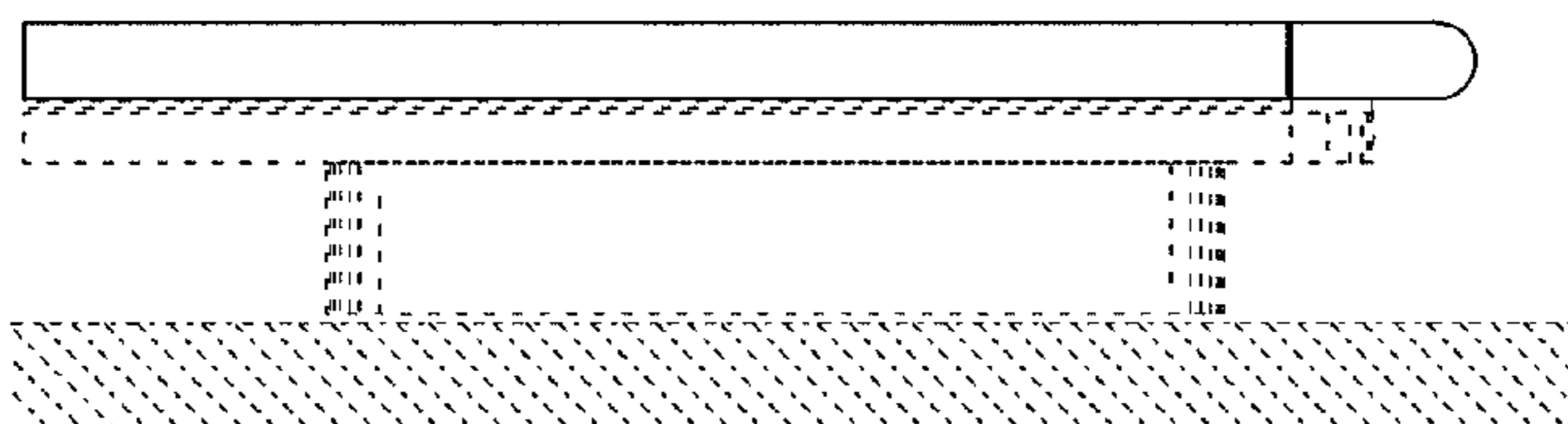


FIG. 7

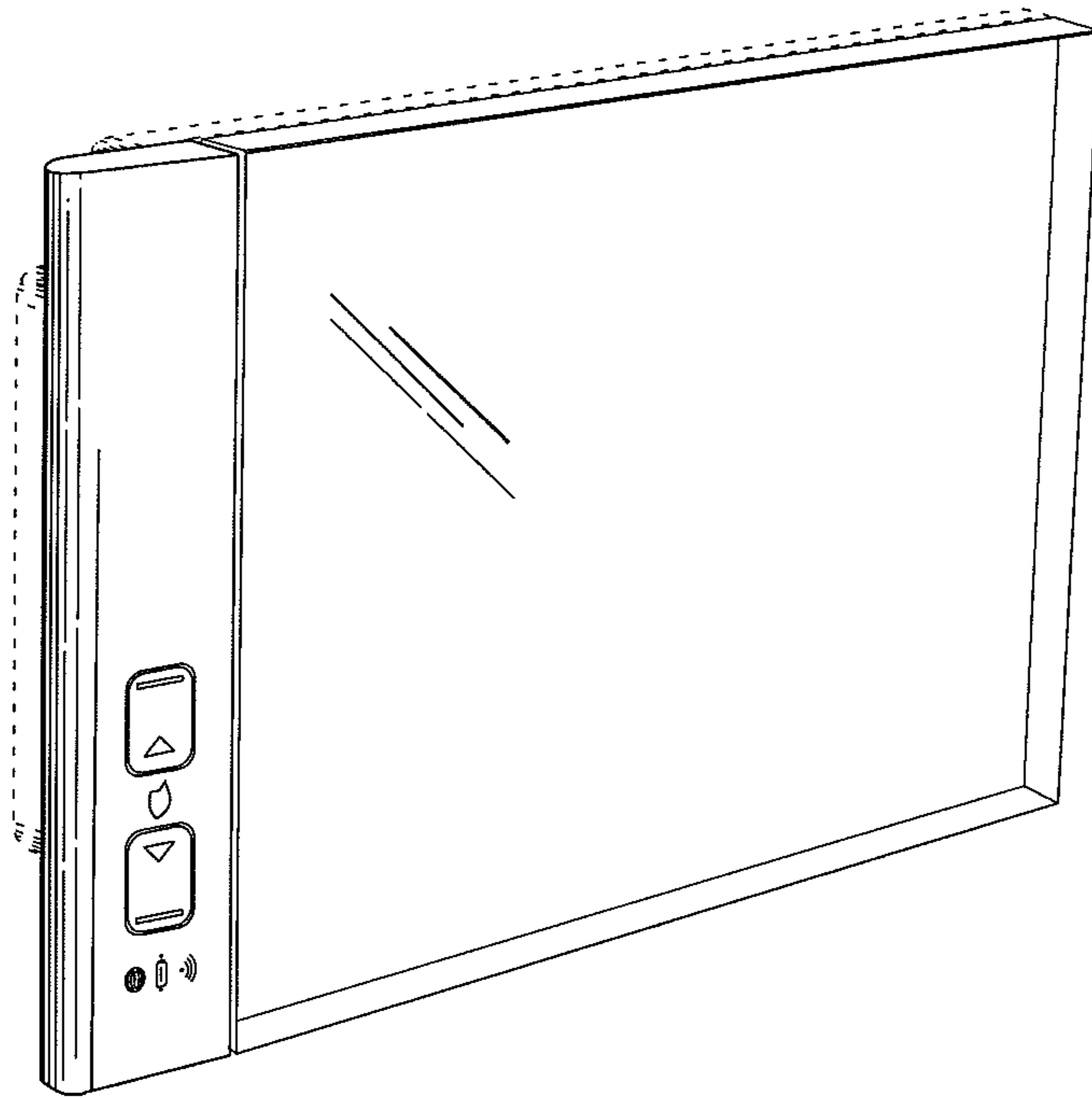


FIG. 8

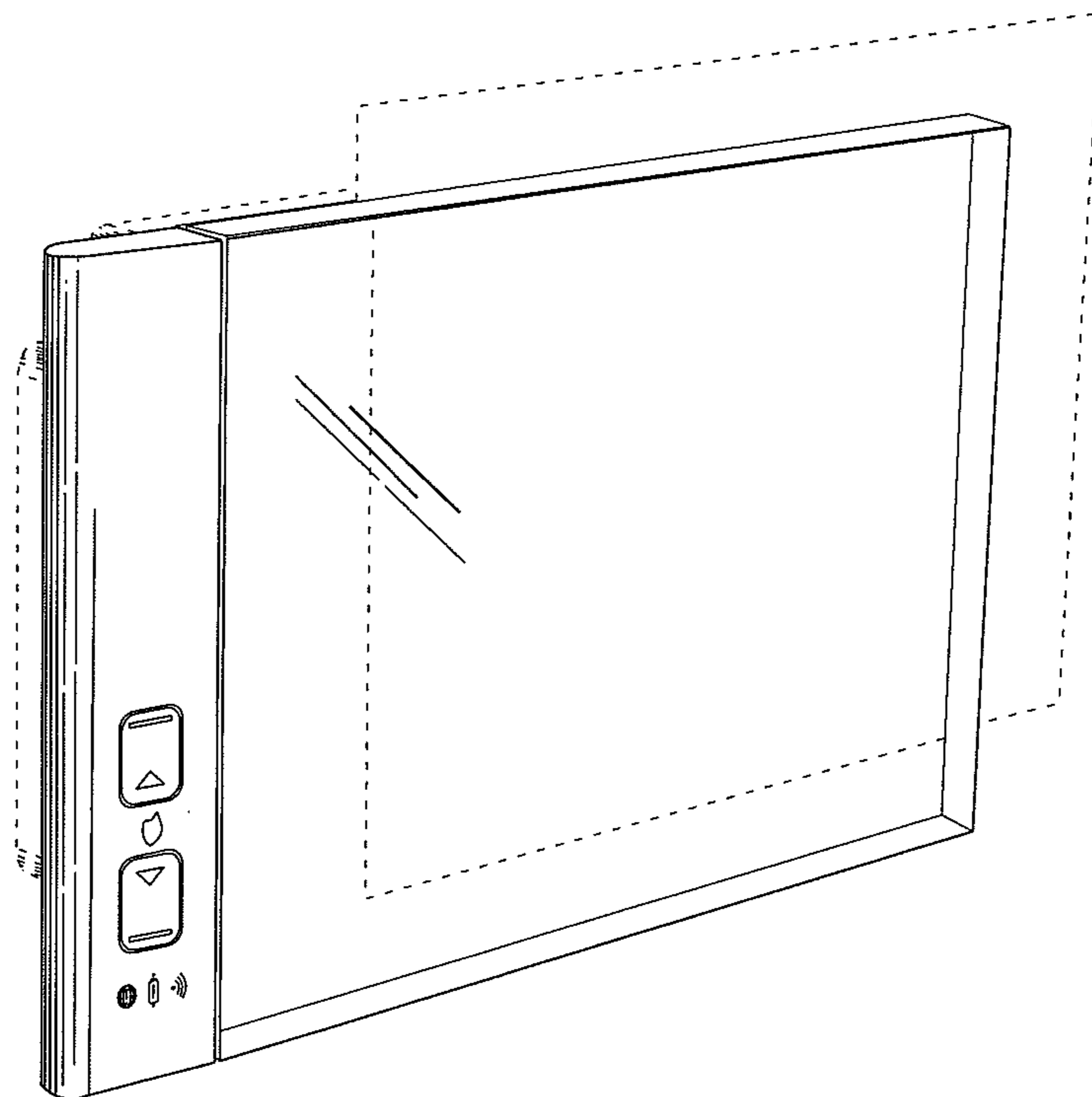


FIG. 9

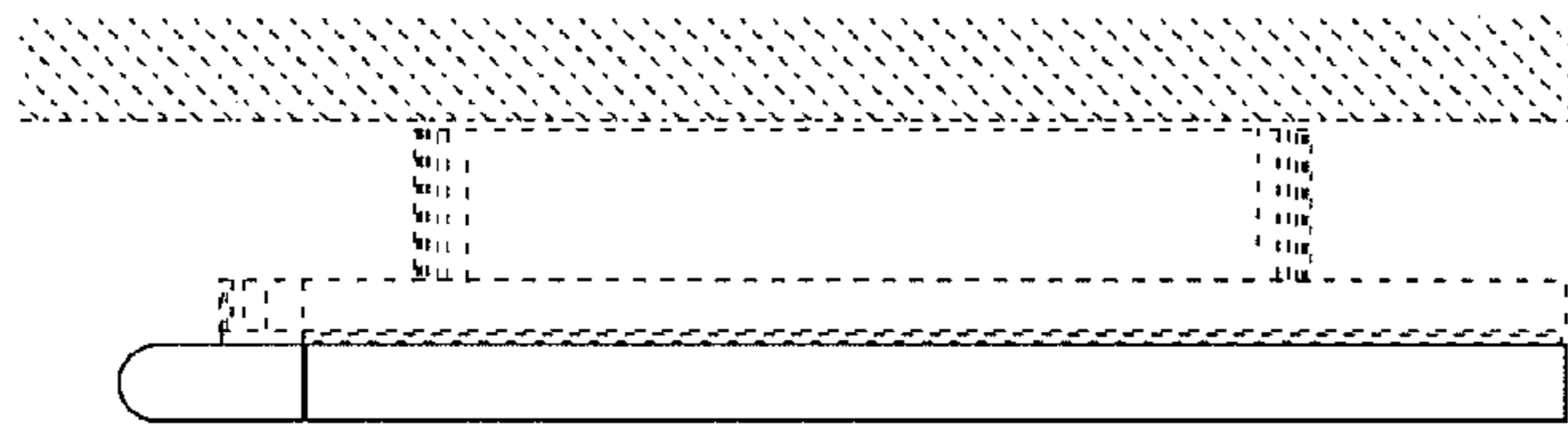


FIG. 10

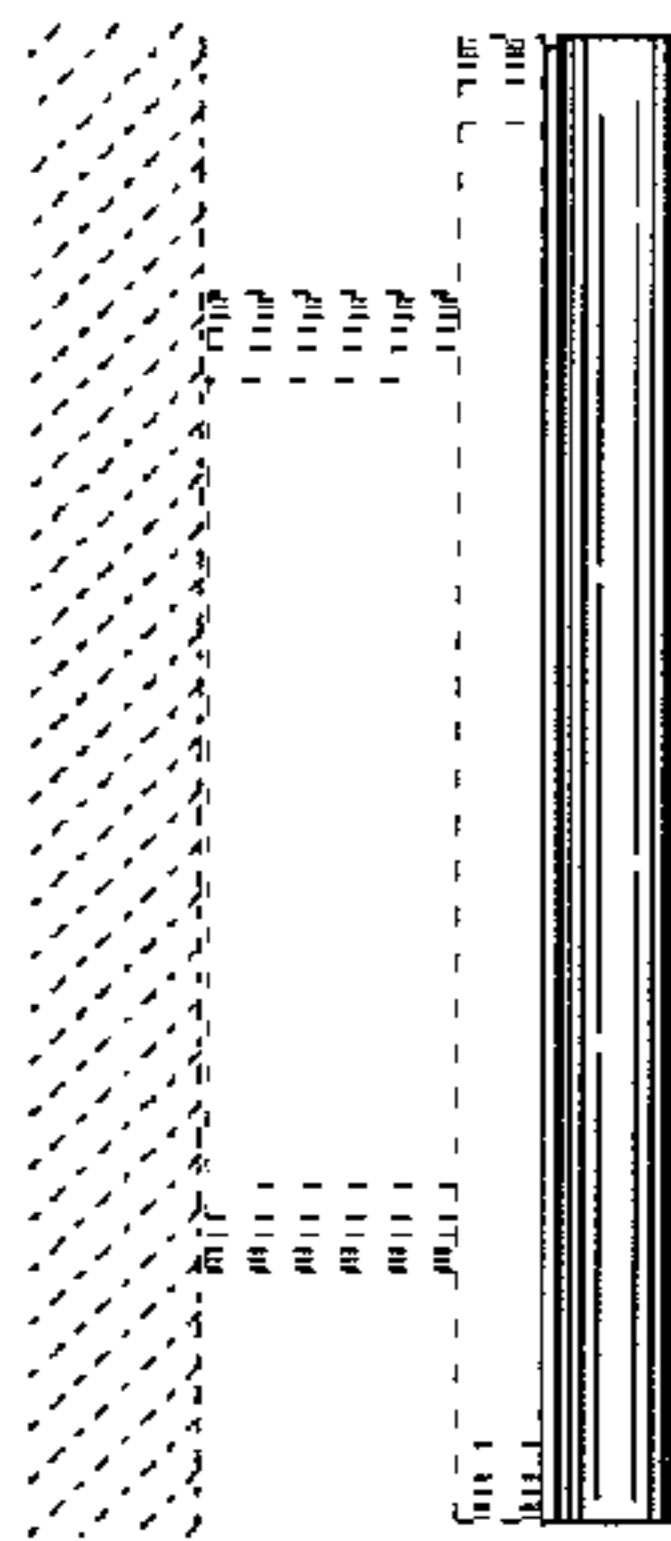


FIG. 11

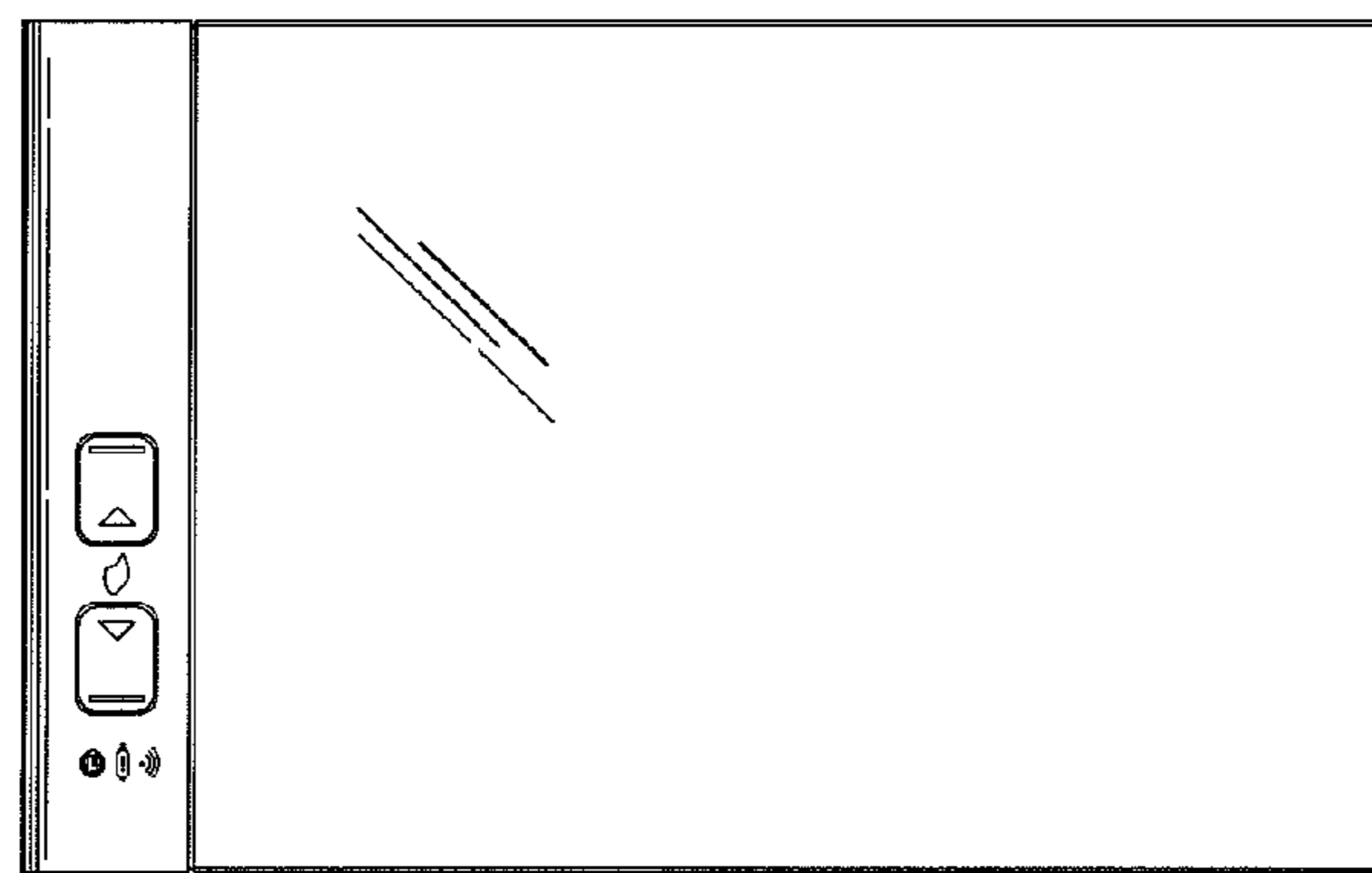


FIG. 12

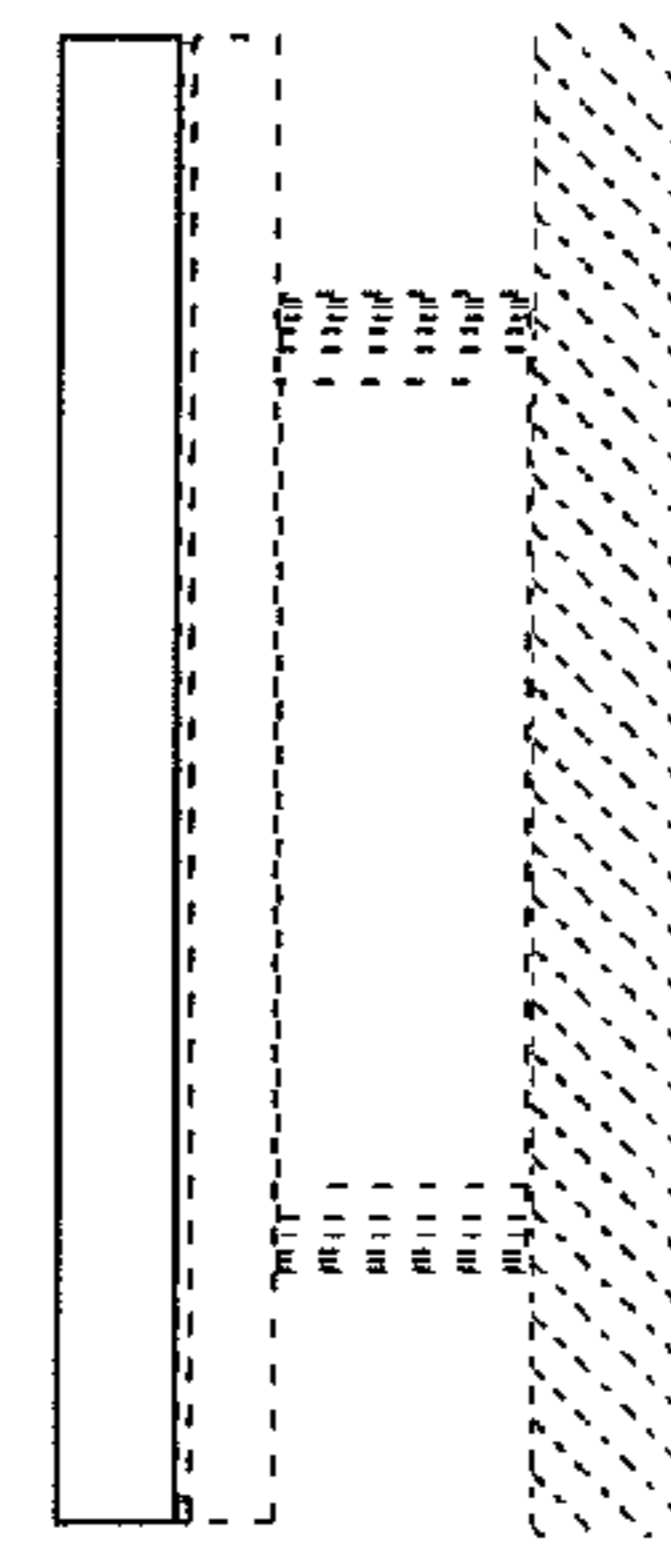


FIG. 13

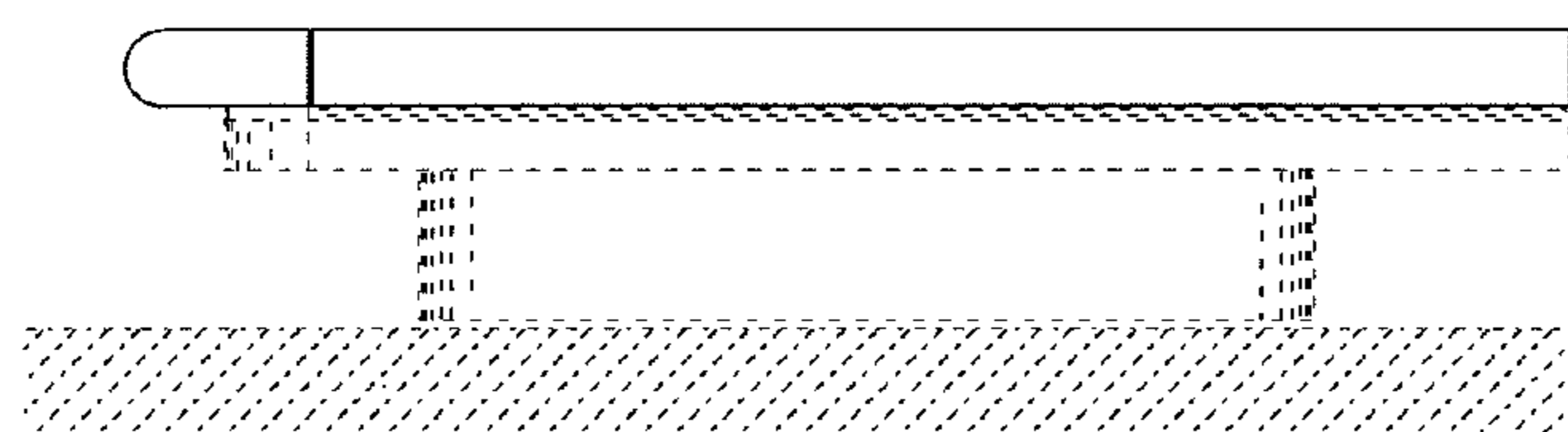


FIG. 14

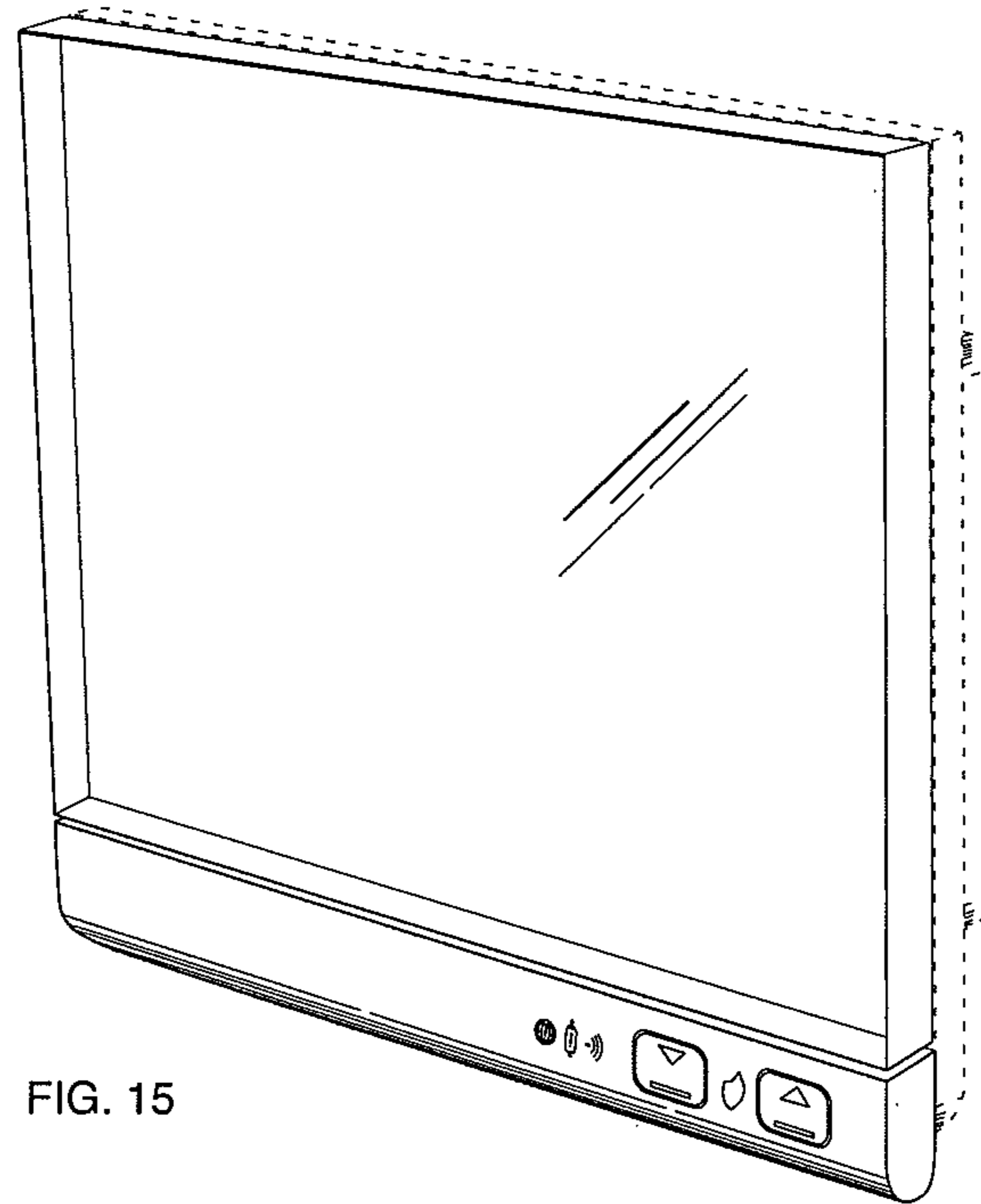


FIG. 15

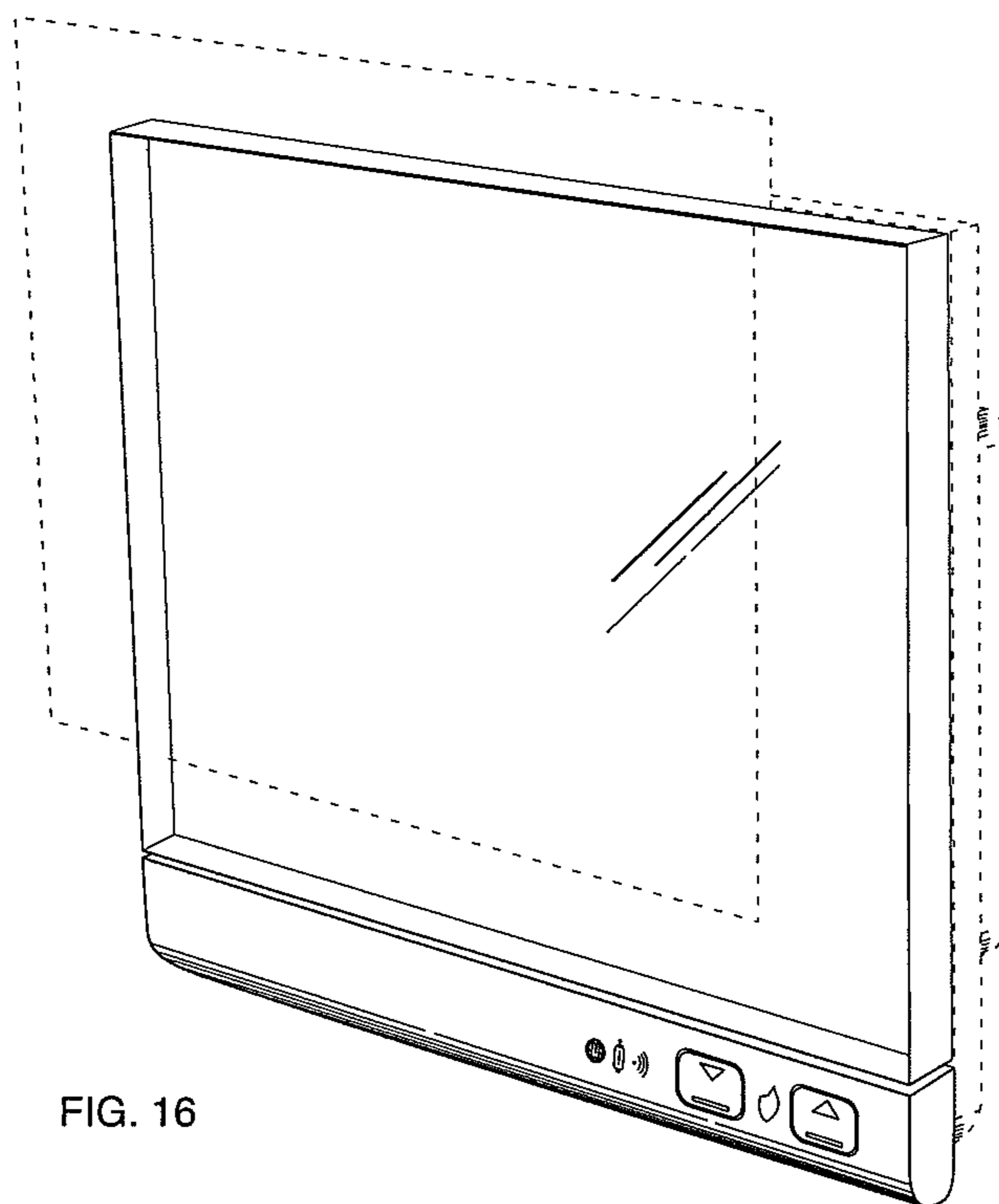


FIG. 16



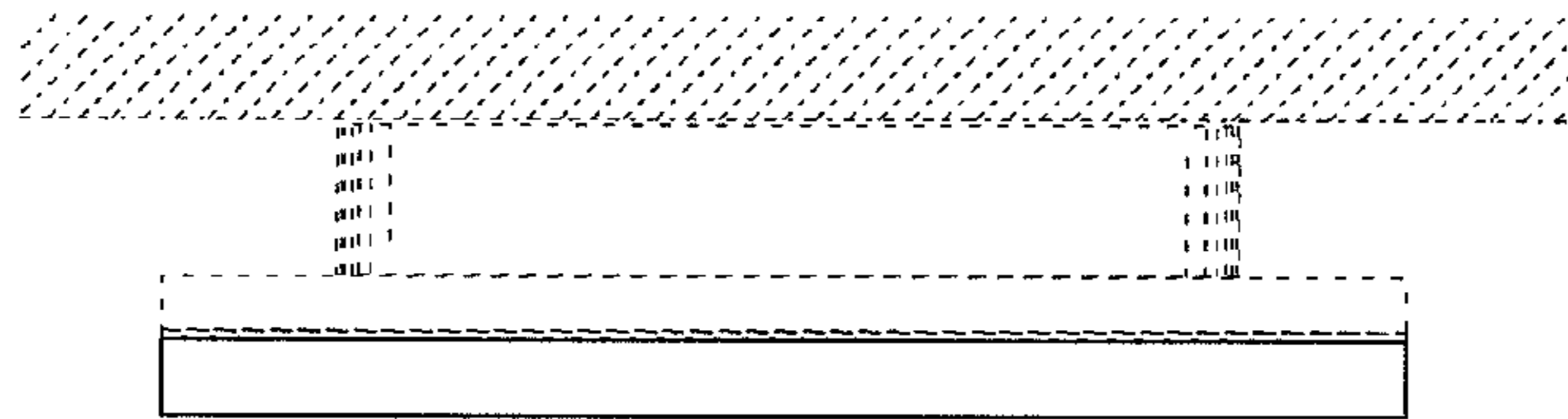


FIG. 17

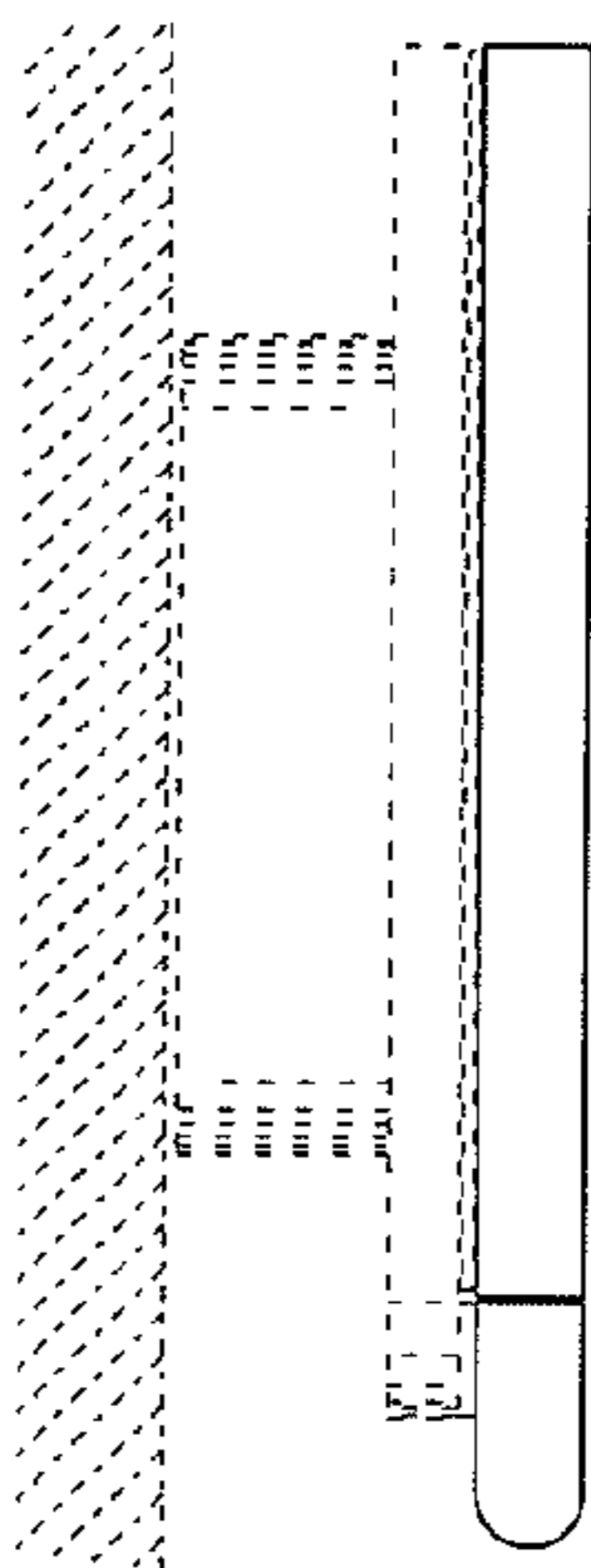


FIG. 18

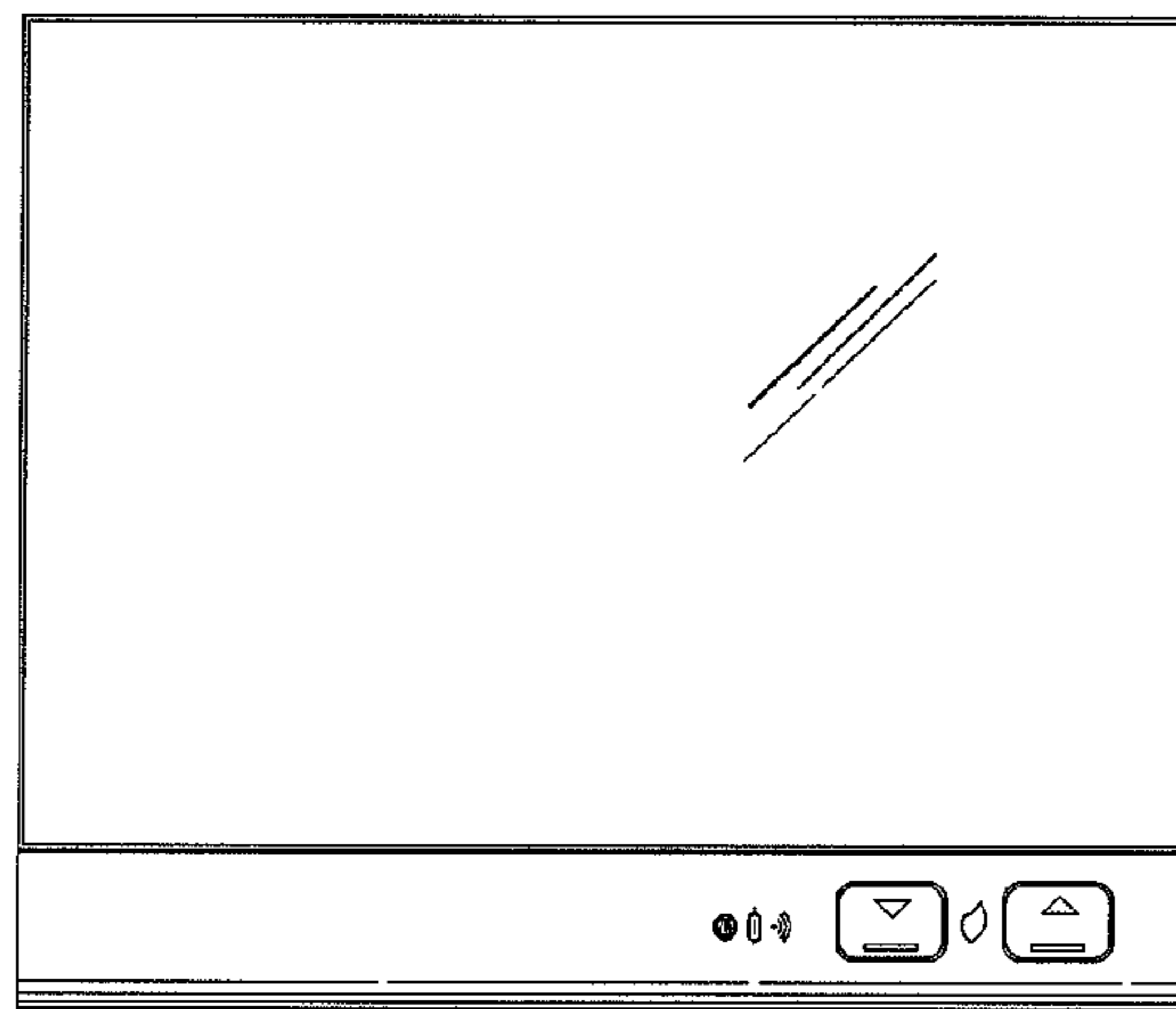


FIG. 19

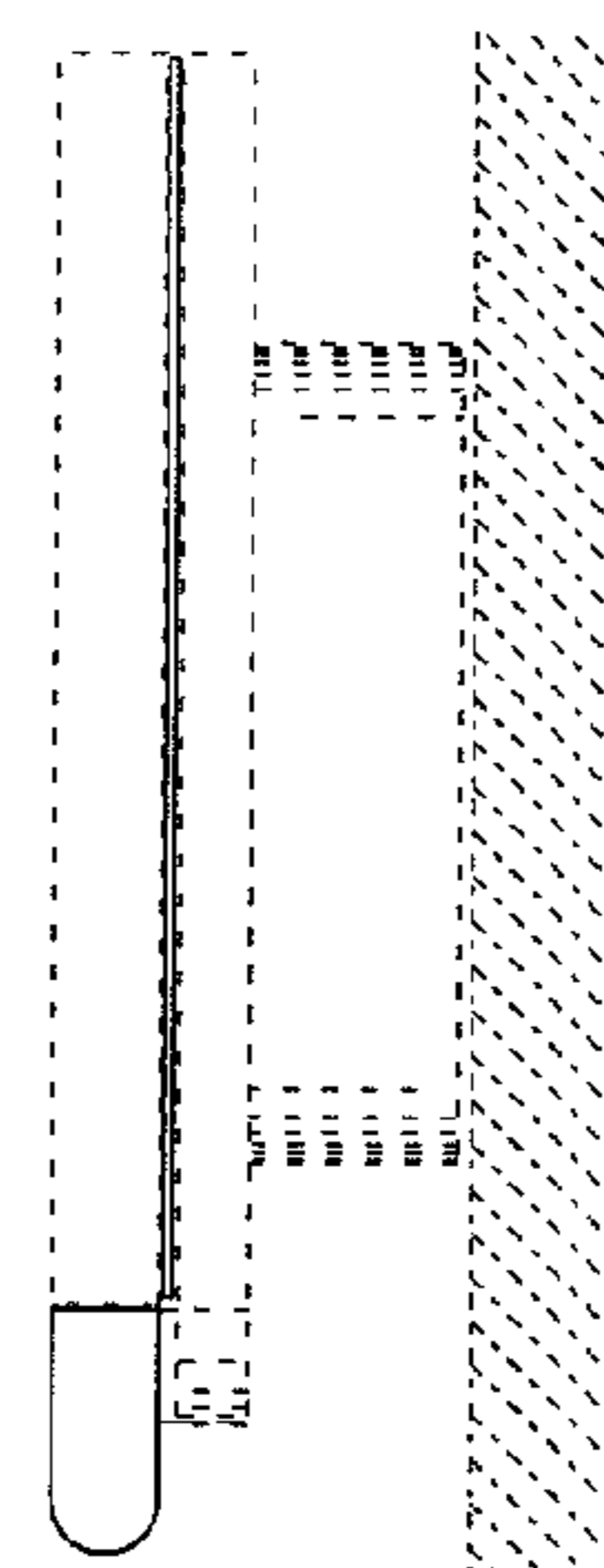


FIG. 20

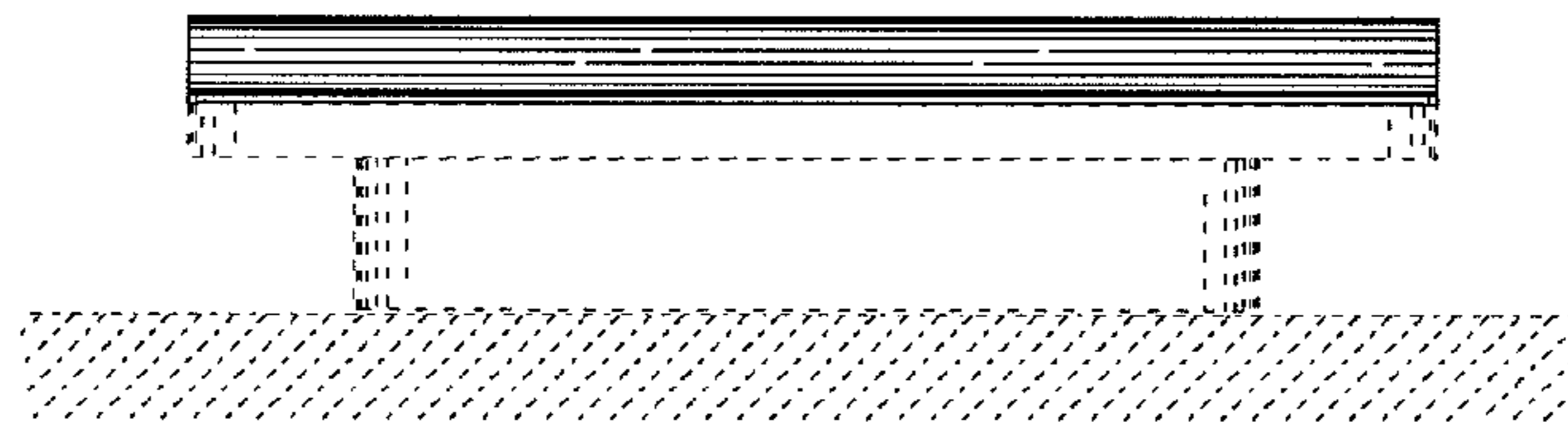


FIG. 21

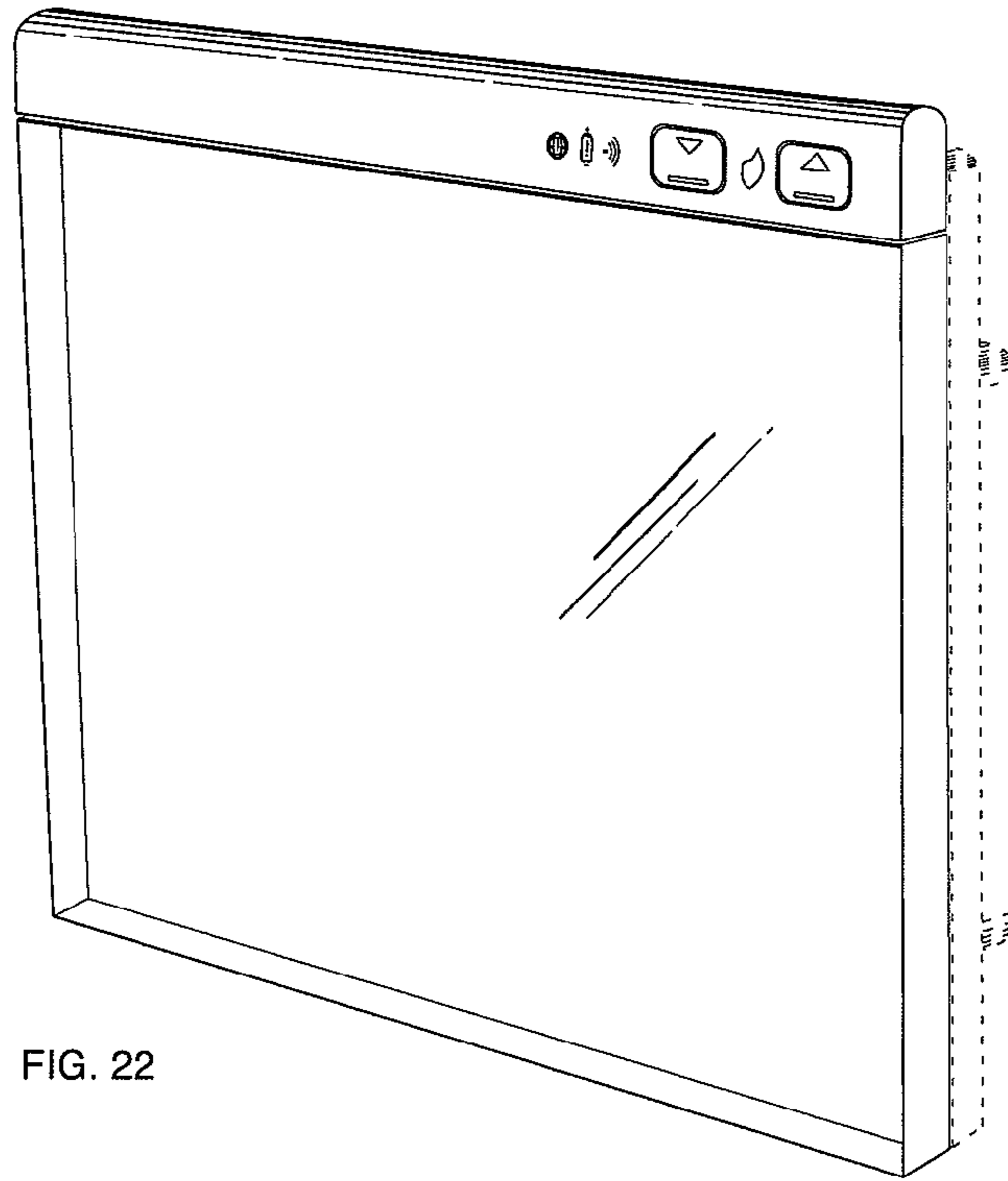


FIG. 22

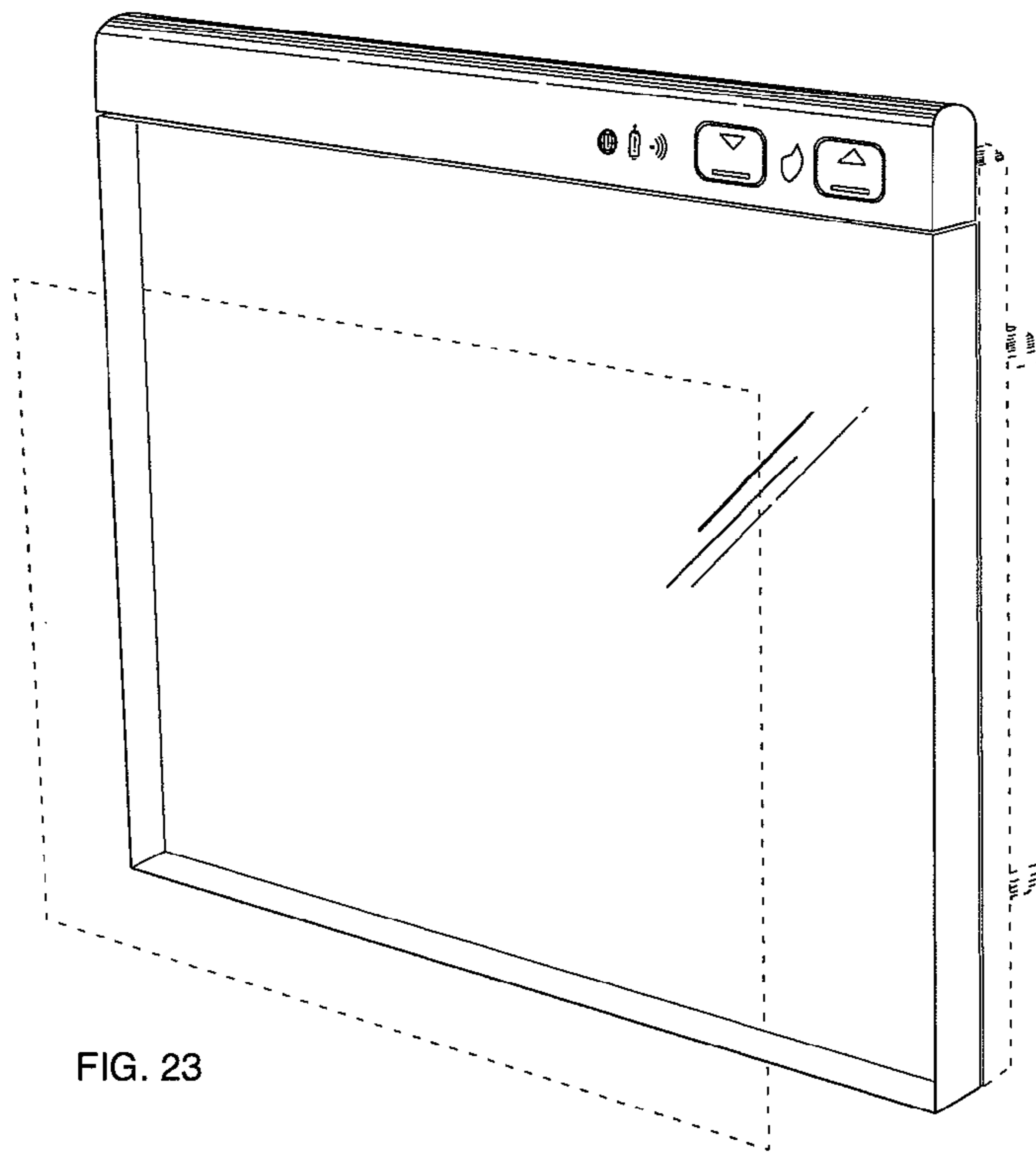


FIG. 23

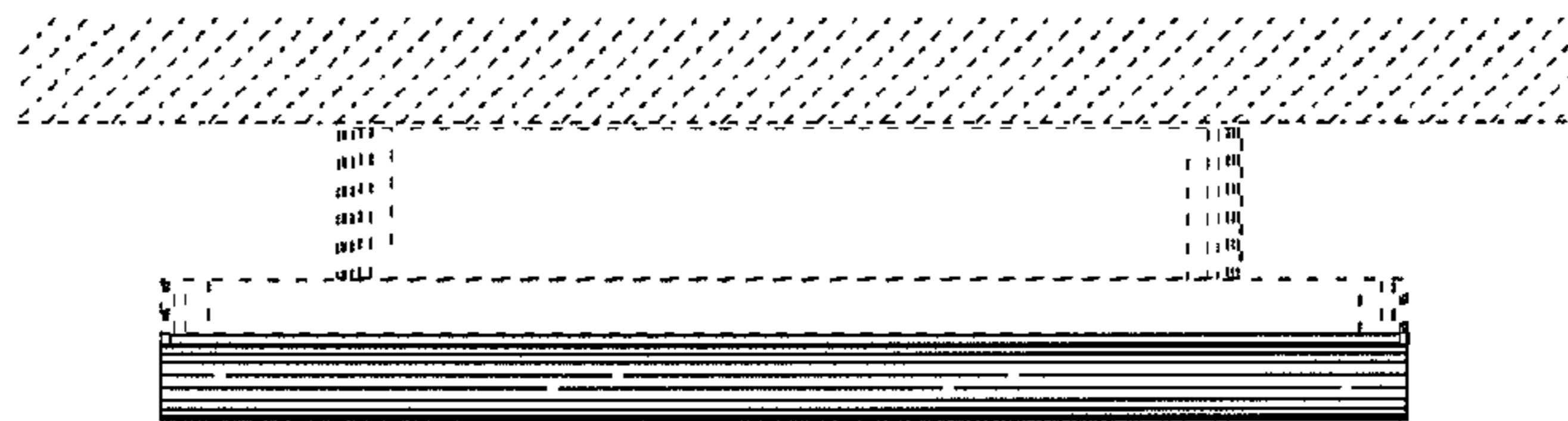


FIG. 24

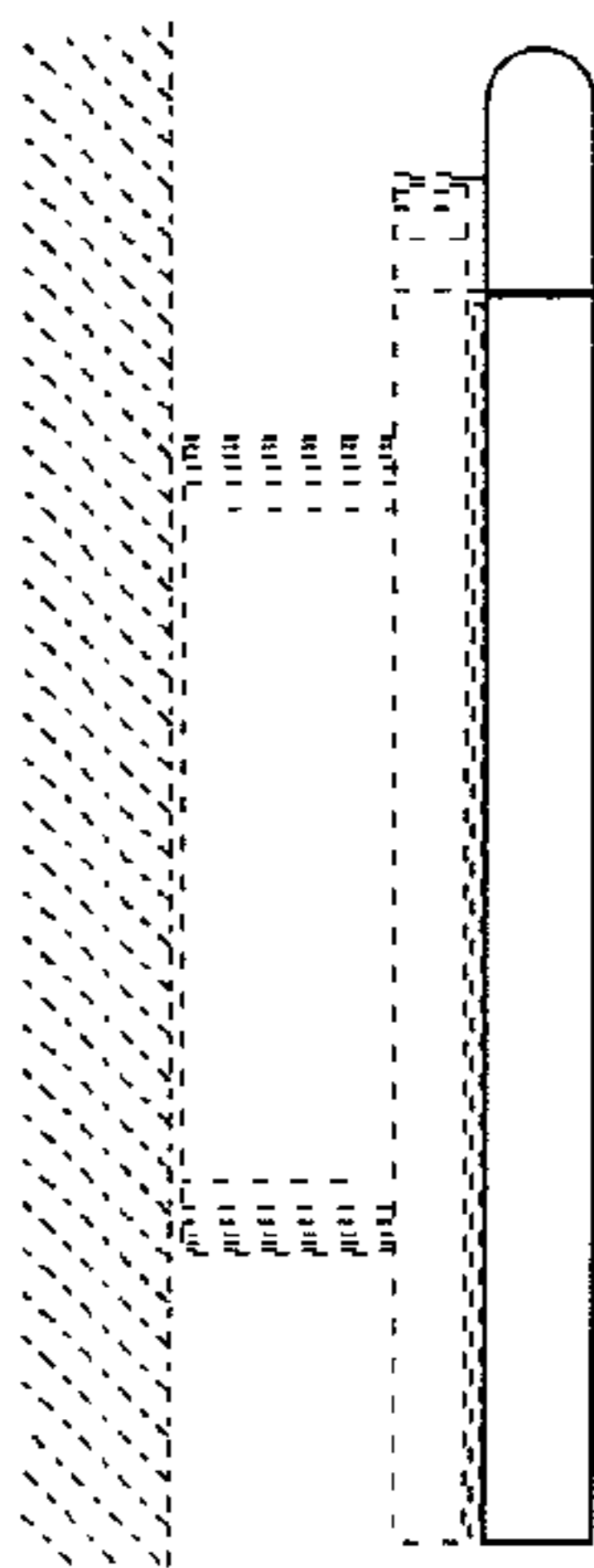


FIG. 25

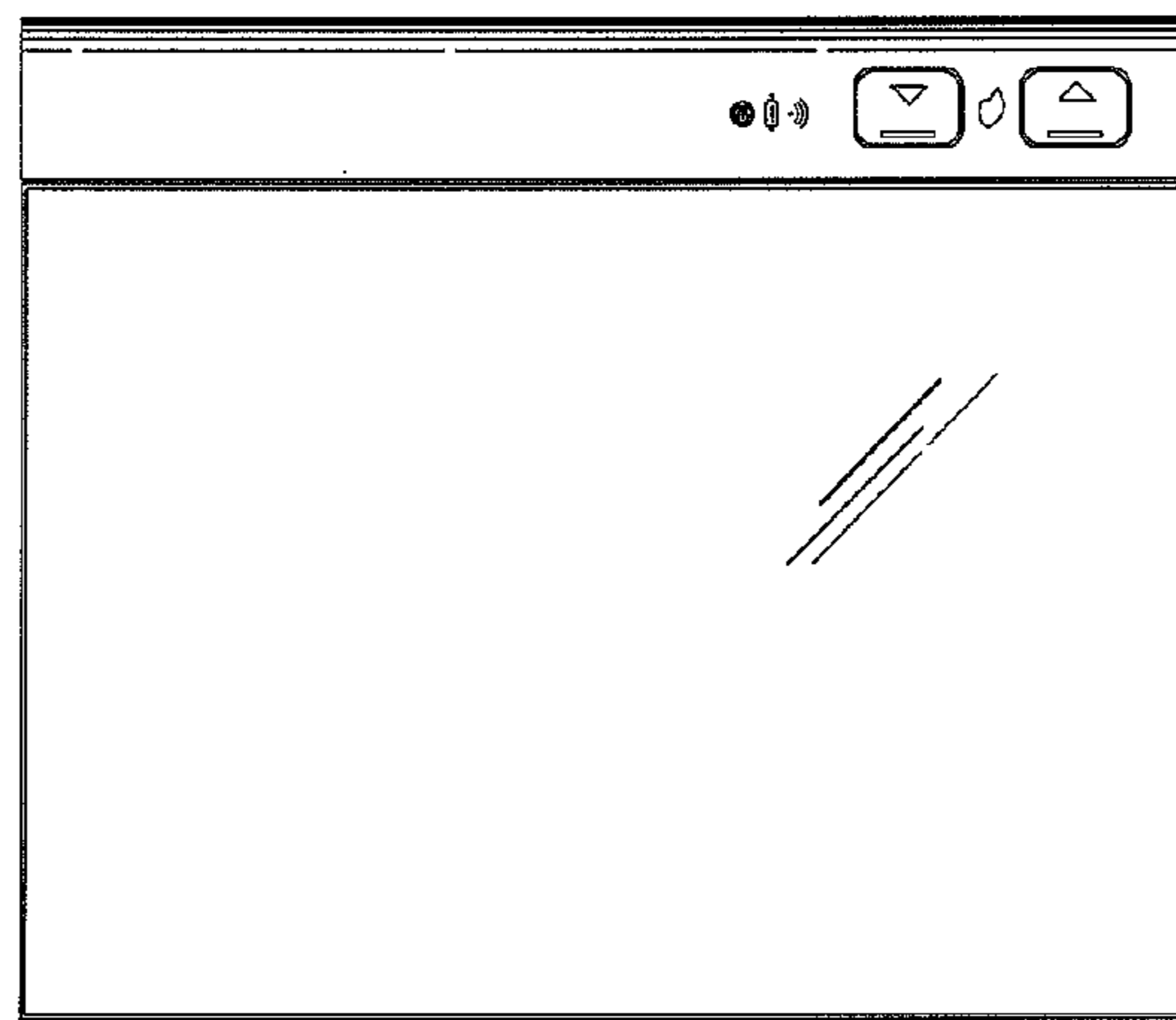


FIG. 26

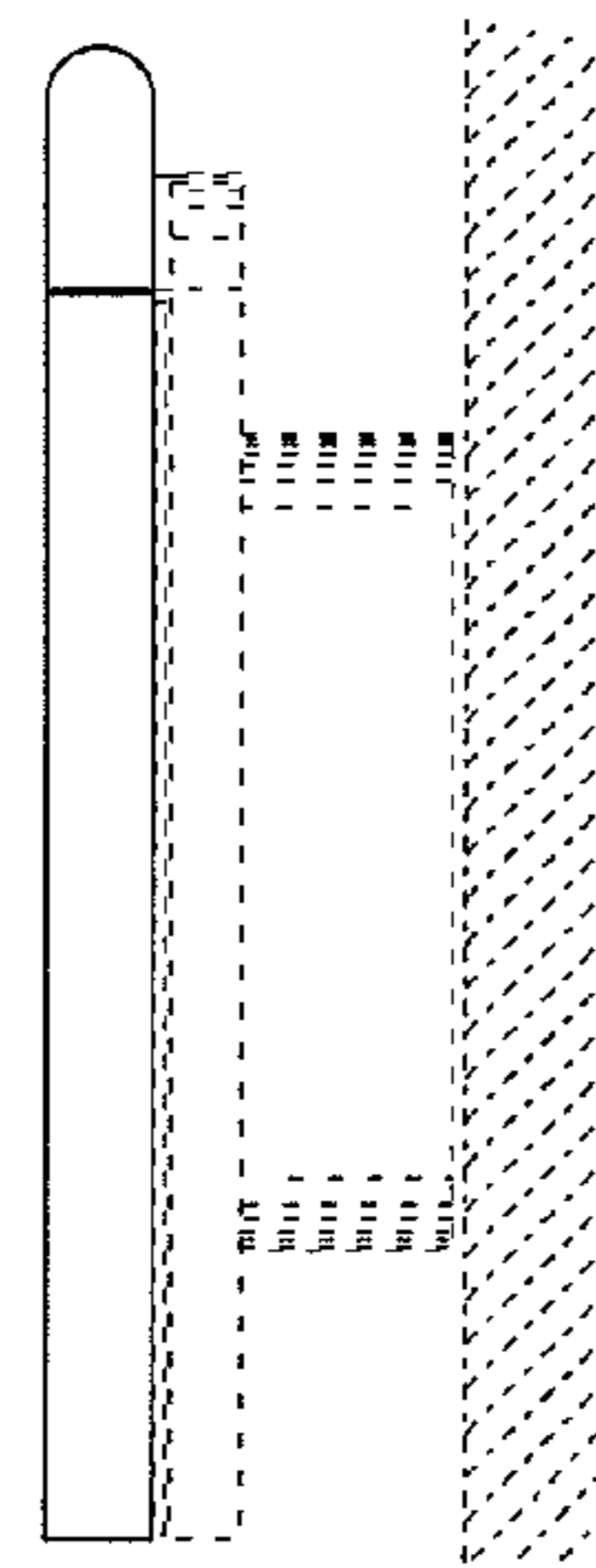


FIG. 27

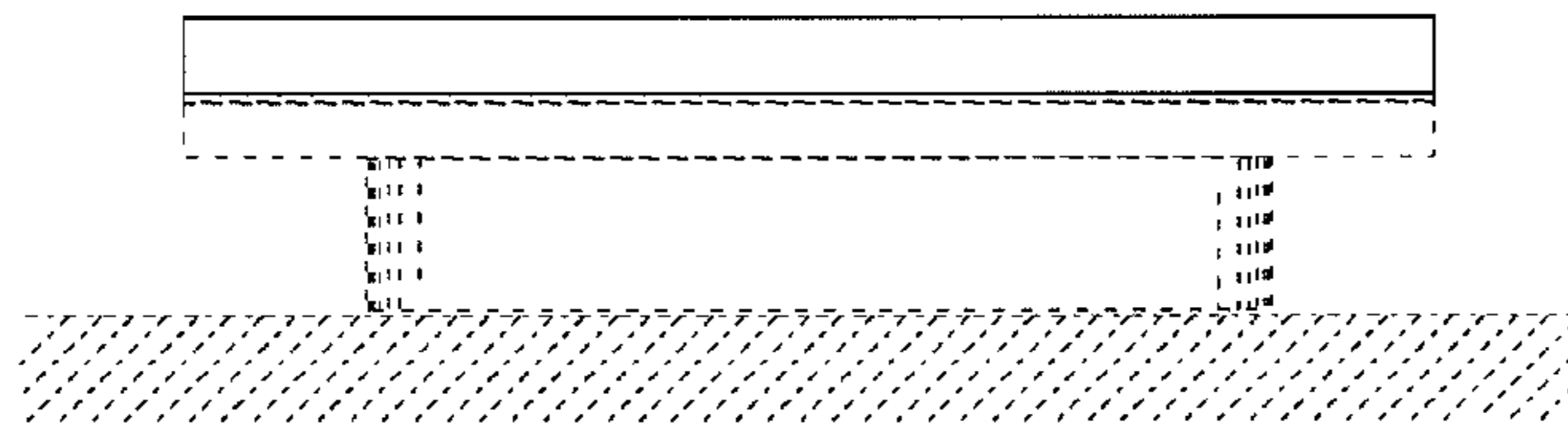


FIG. 28

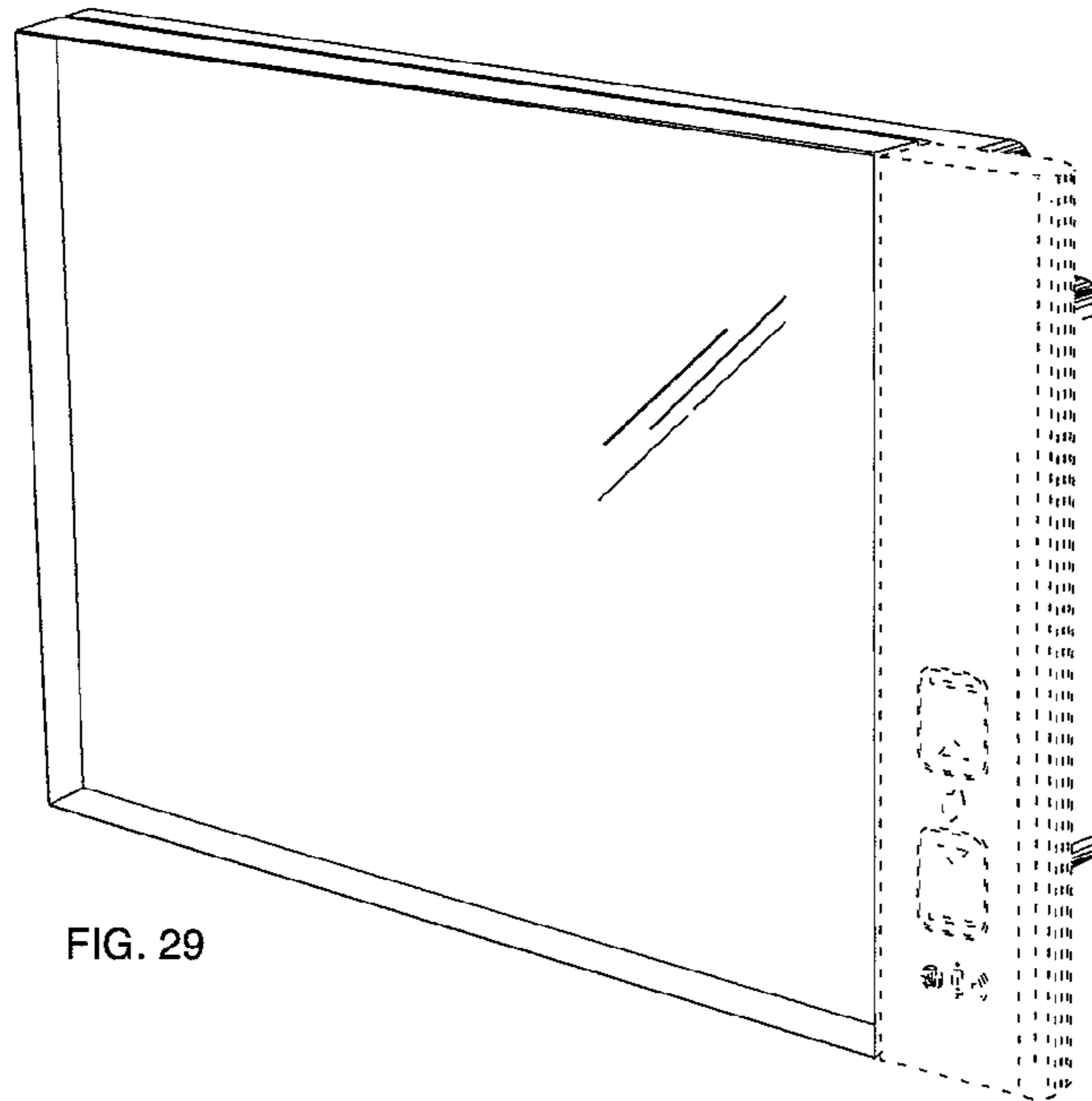


FIG. 29

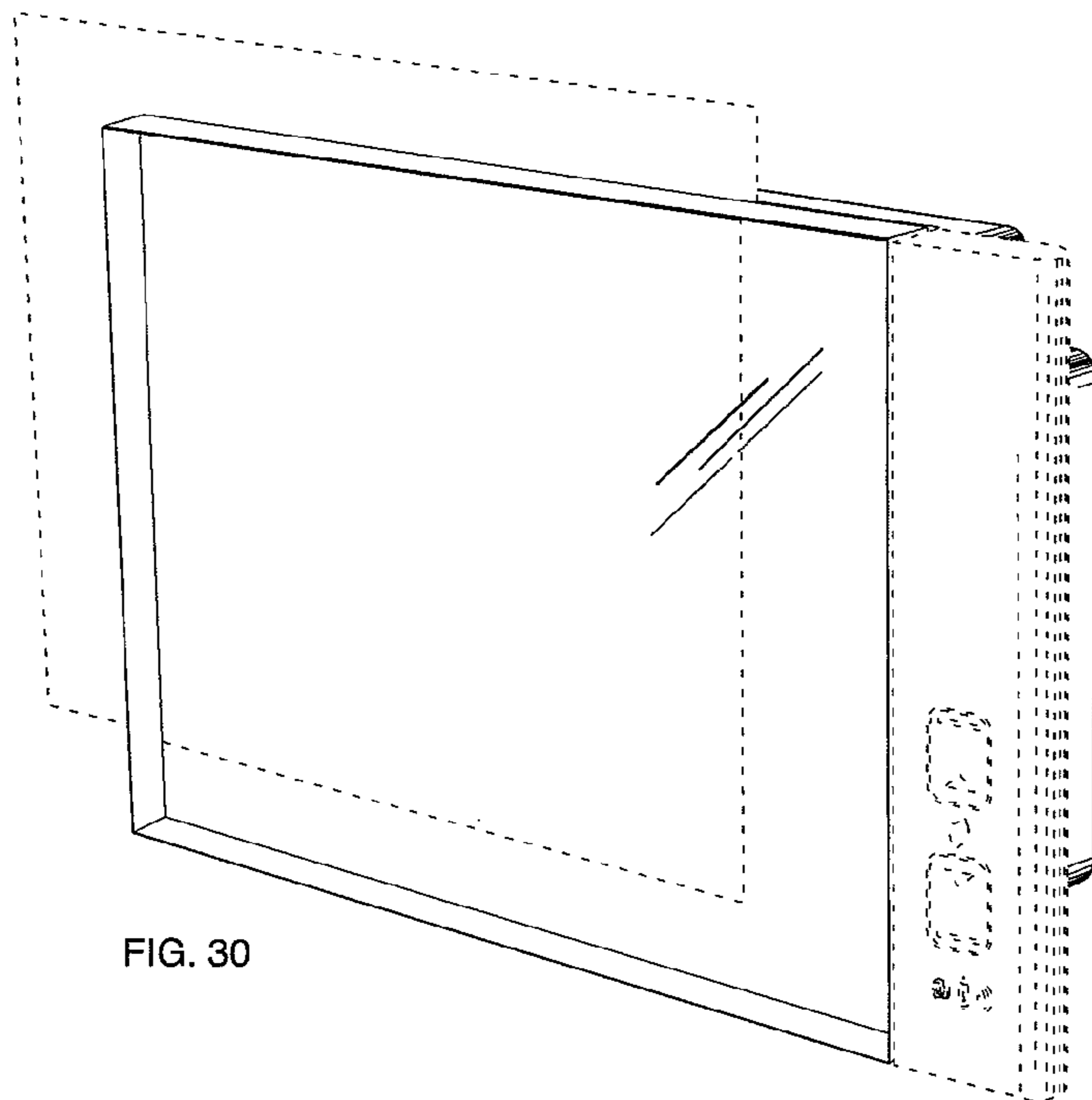


FIG. 30

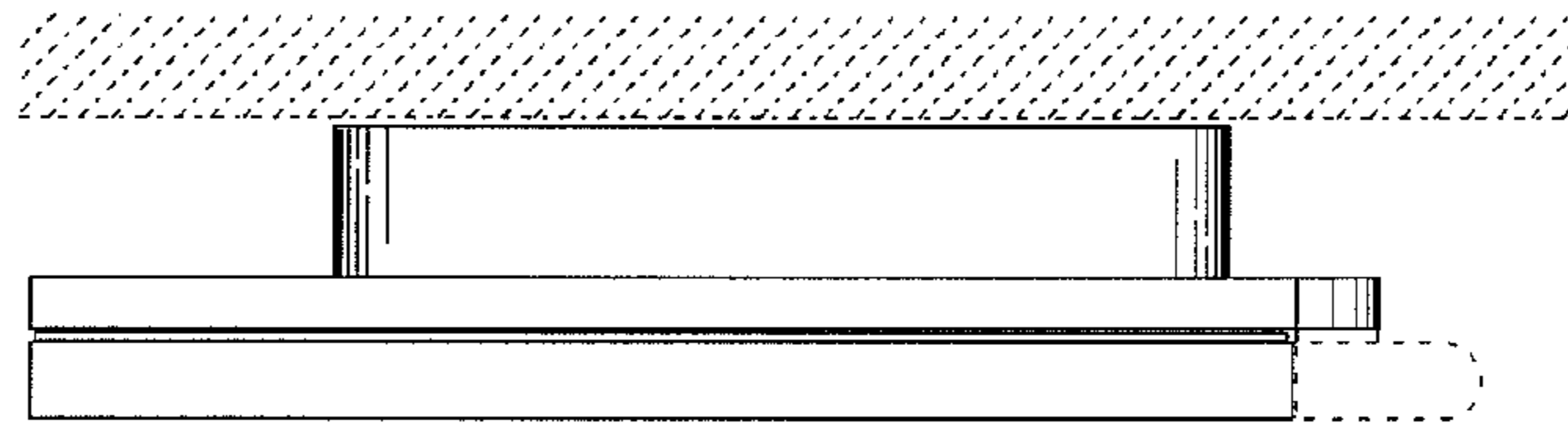


FIG. 31

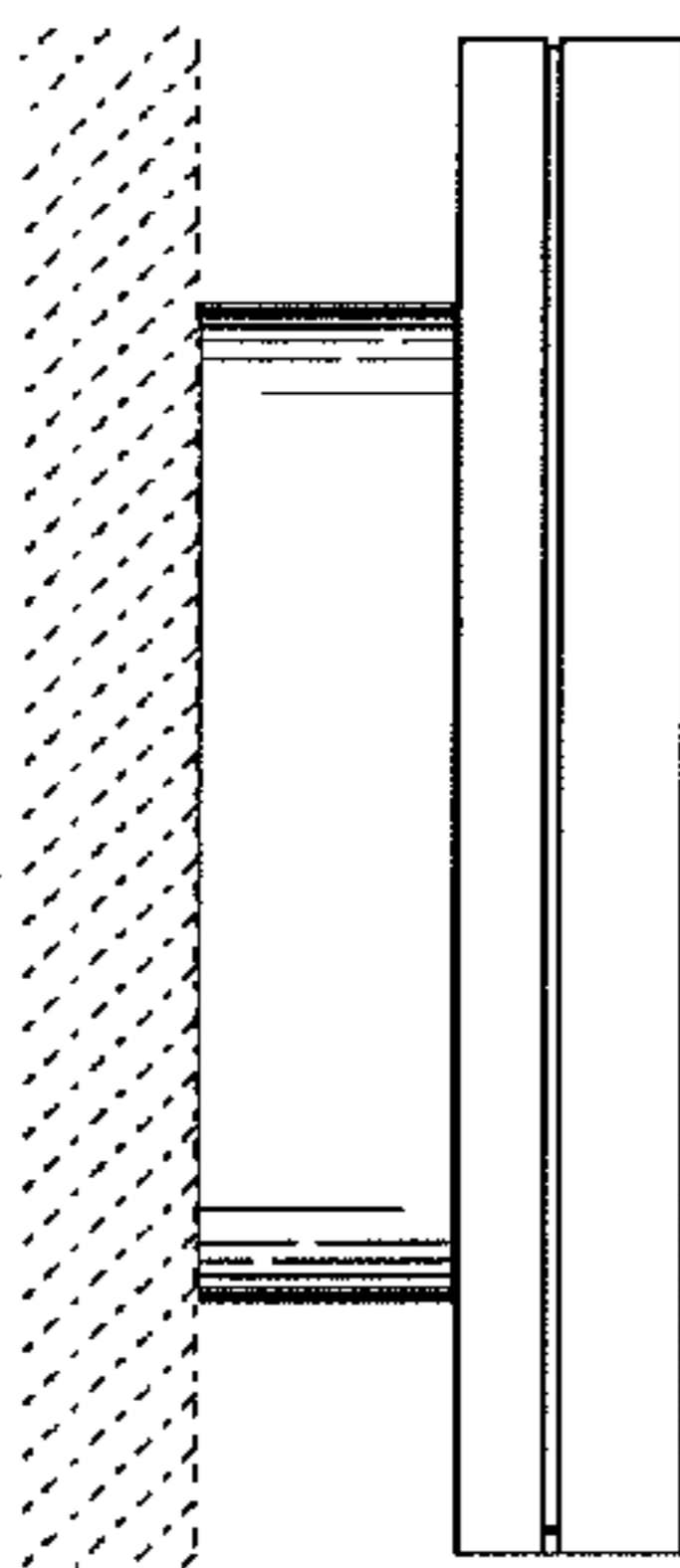


FIG. 32

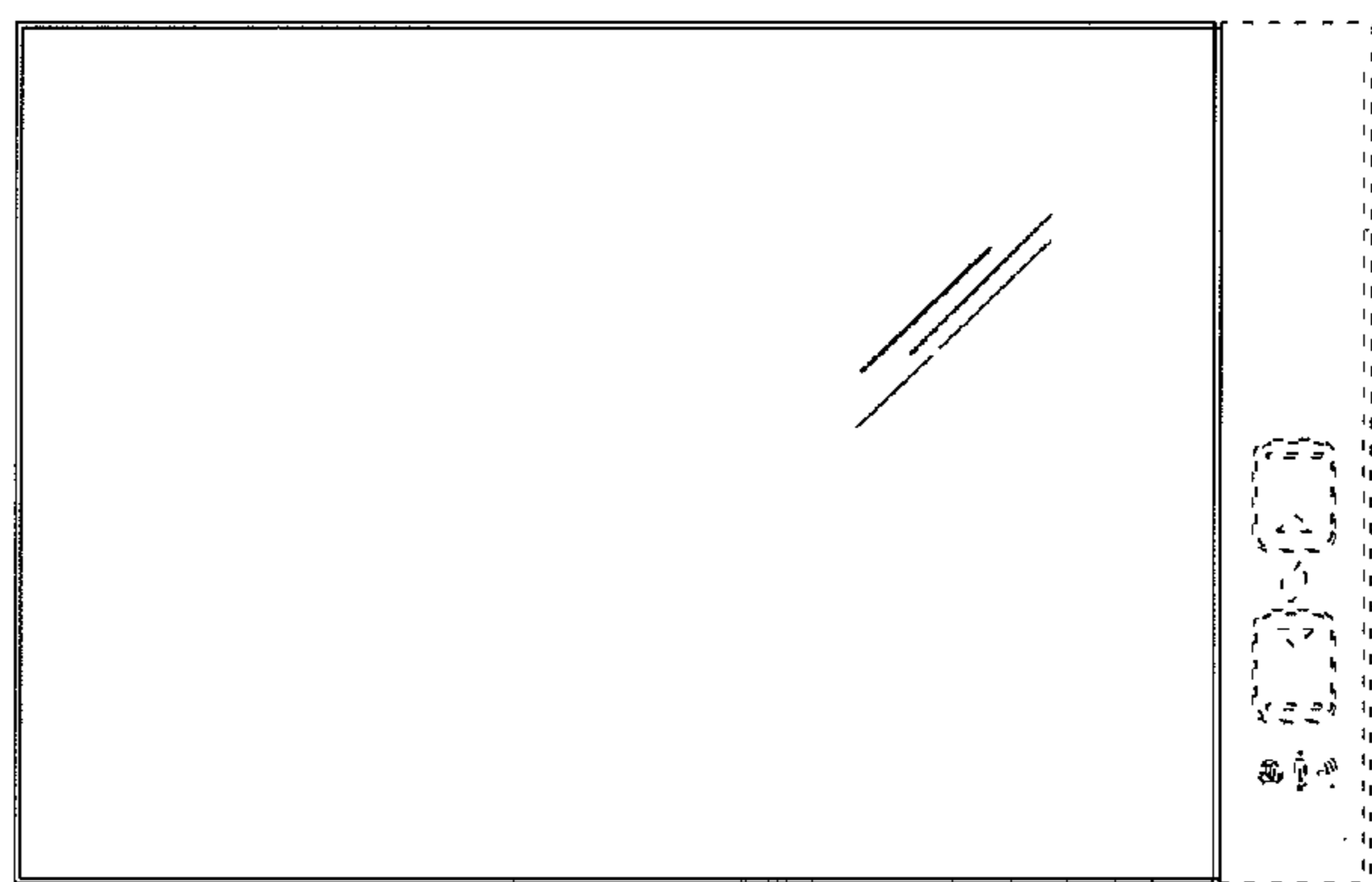


FIG. 33

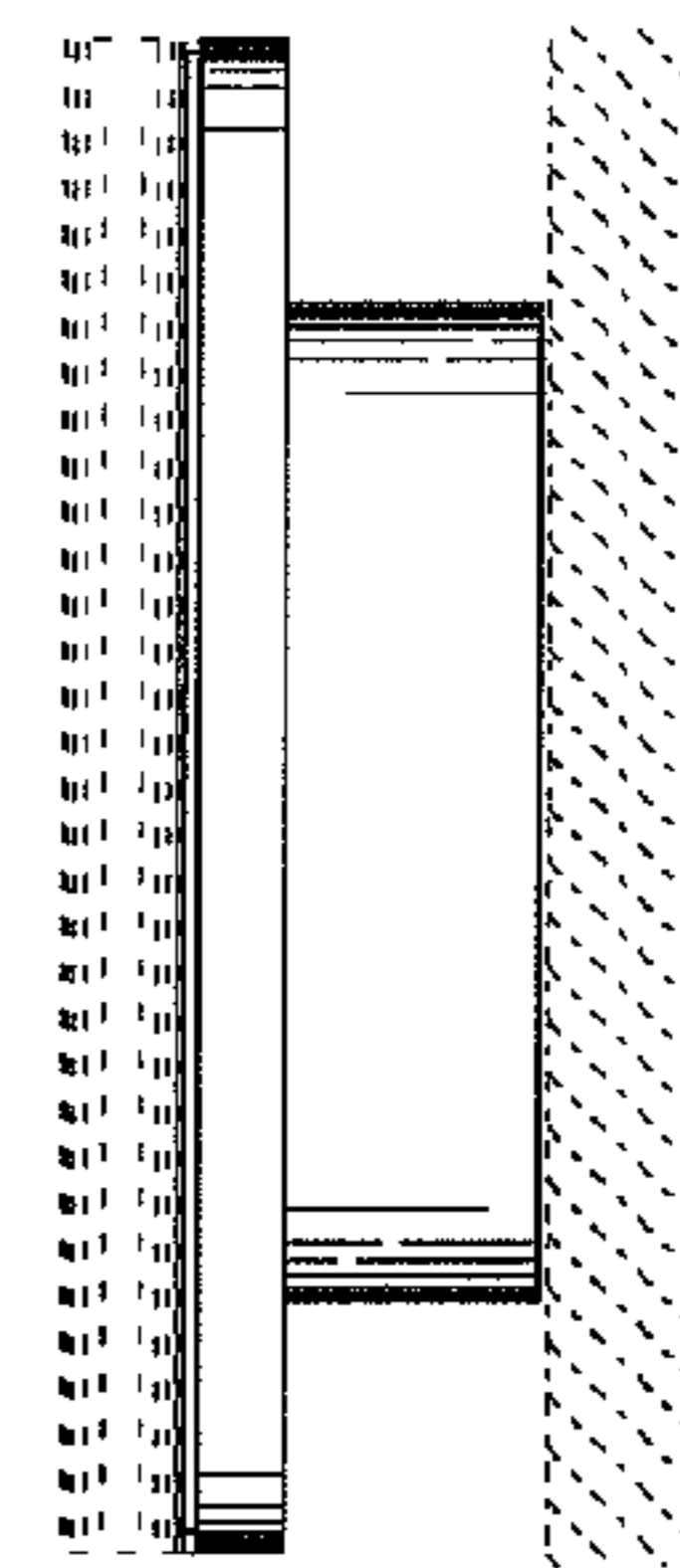


FIG. 34

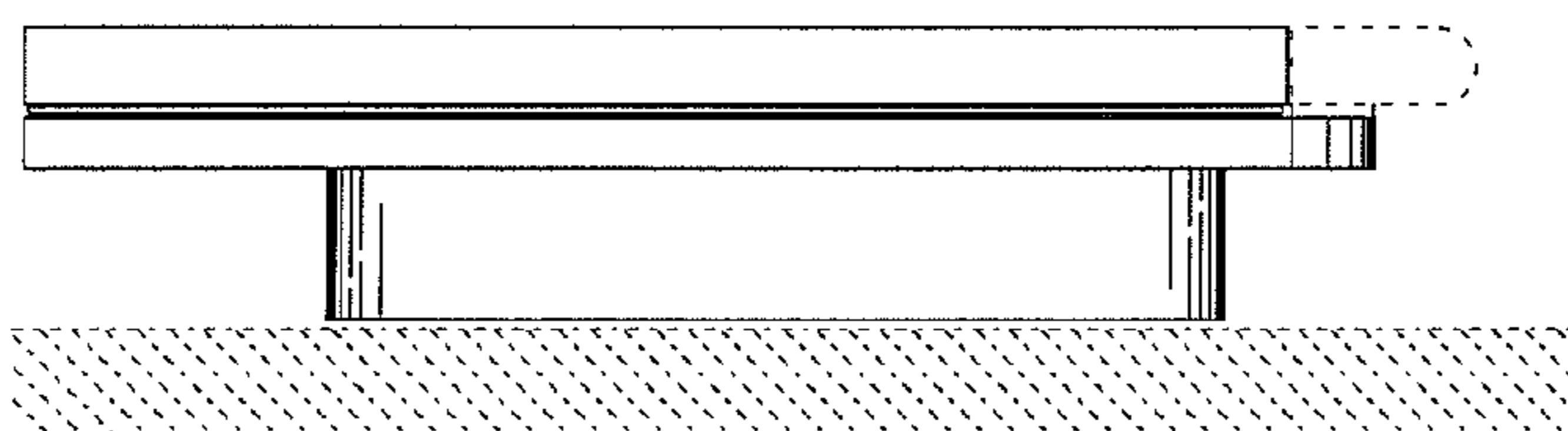


FIG. 35

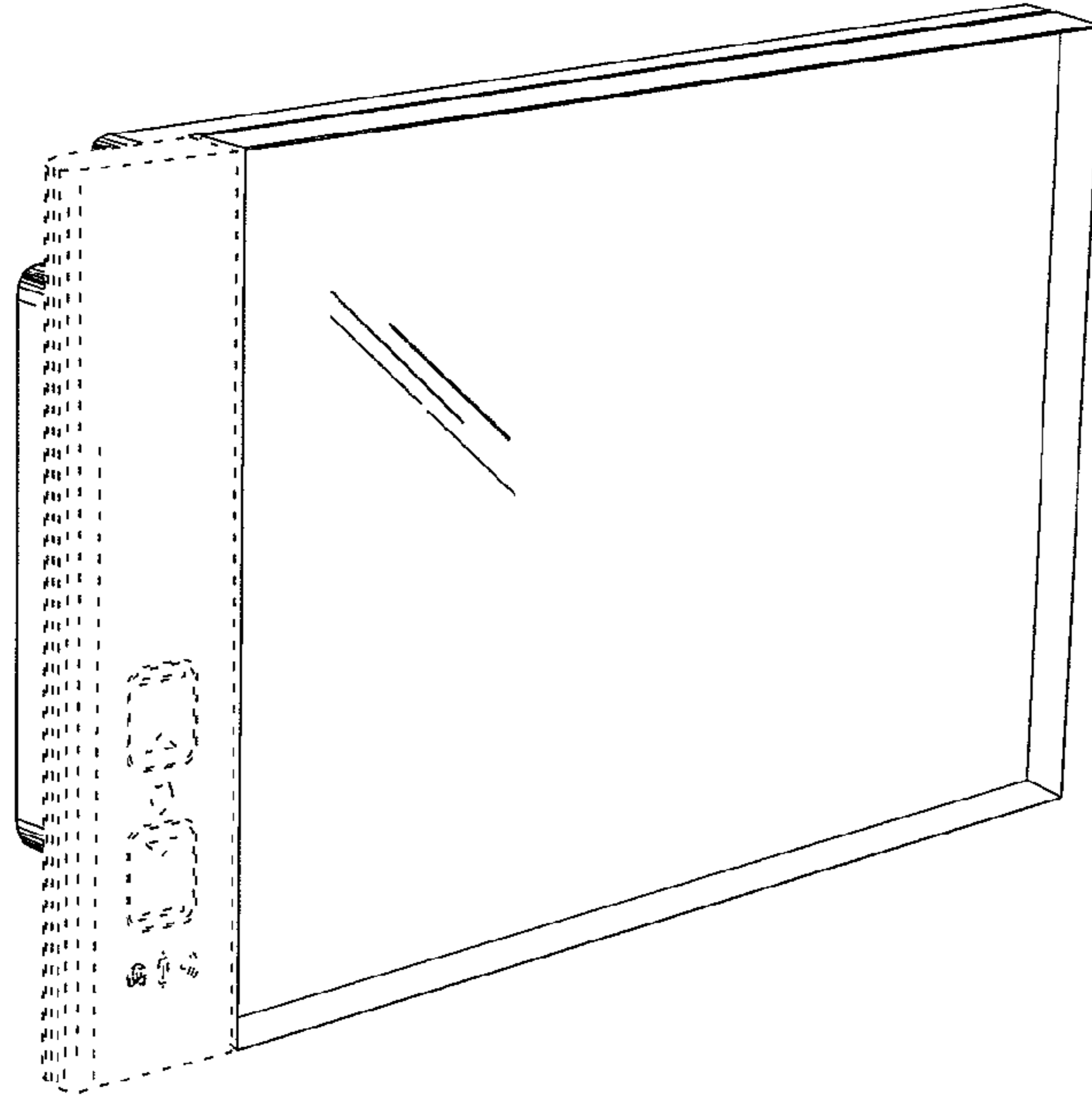


FIG. 36

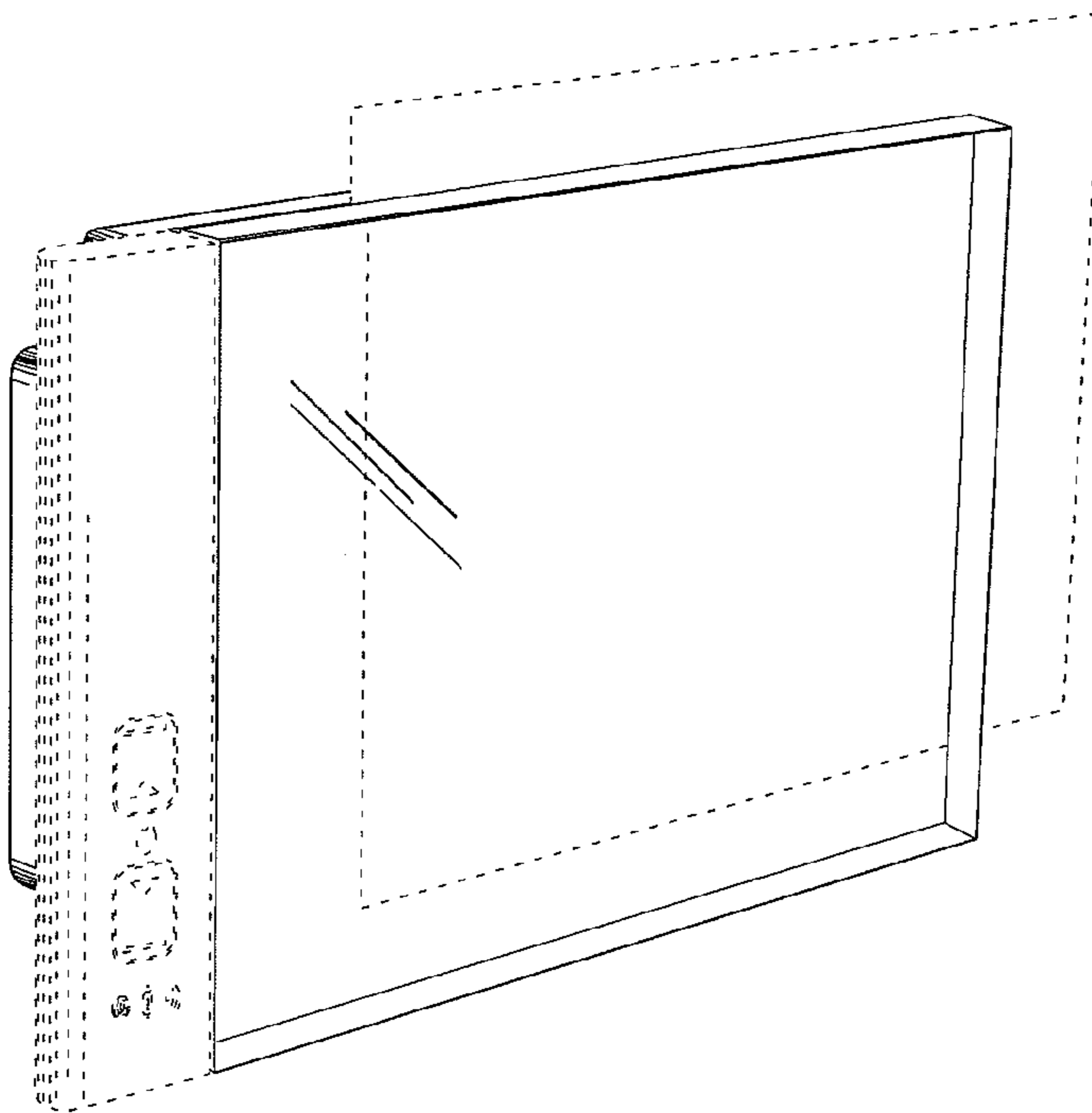


FIG. 37

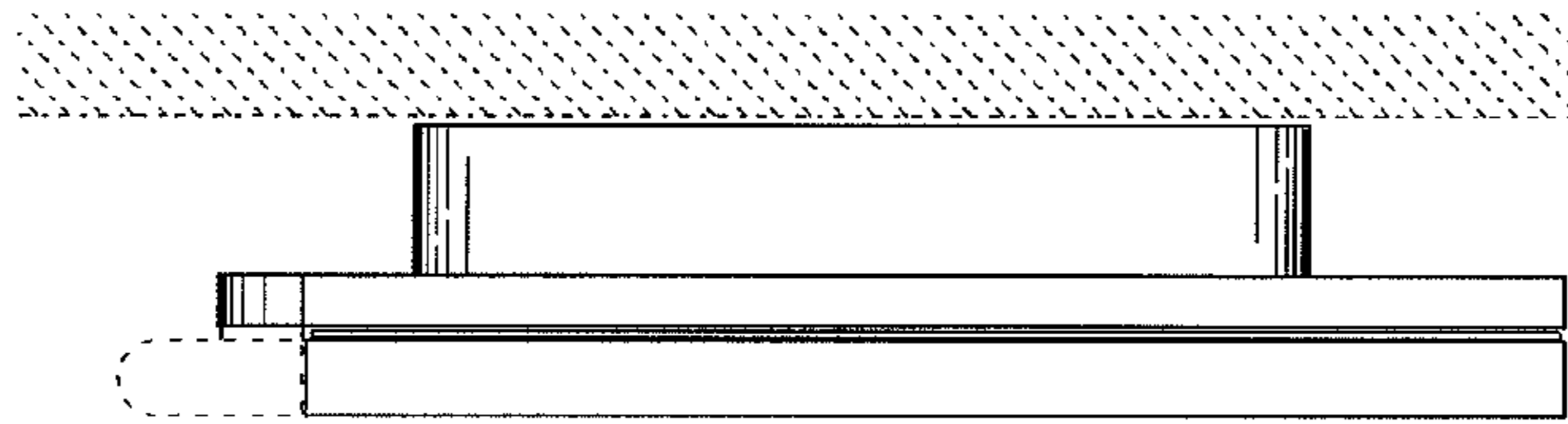


FIG. 38

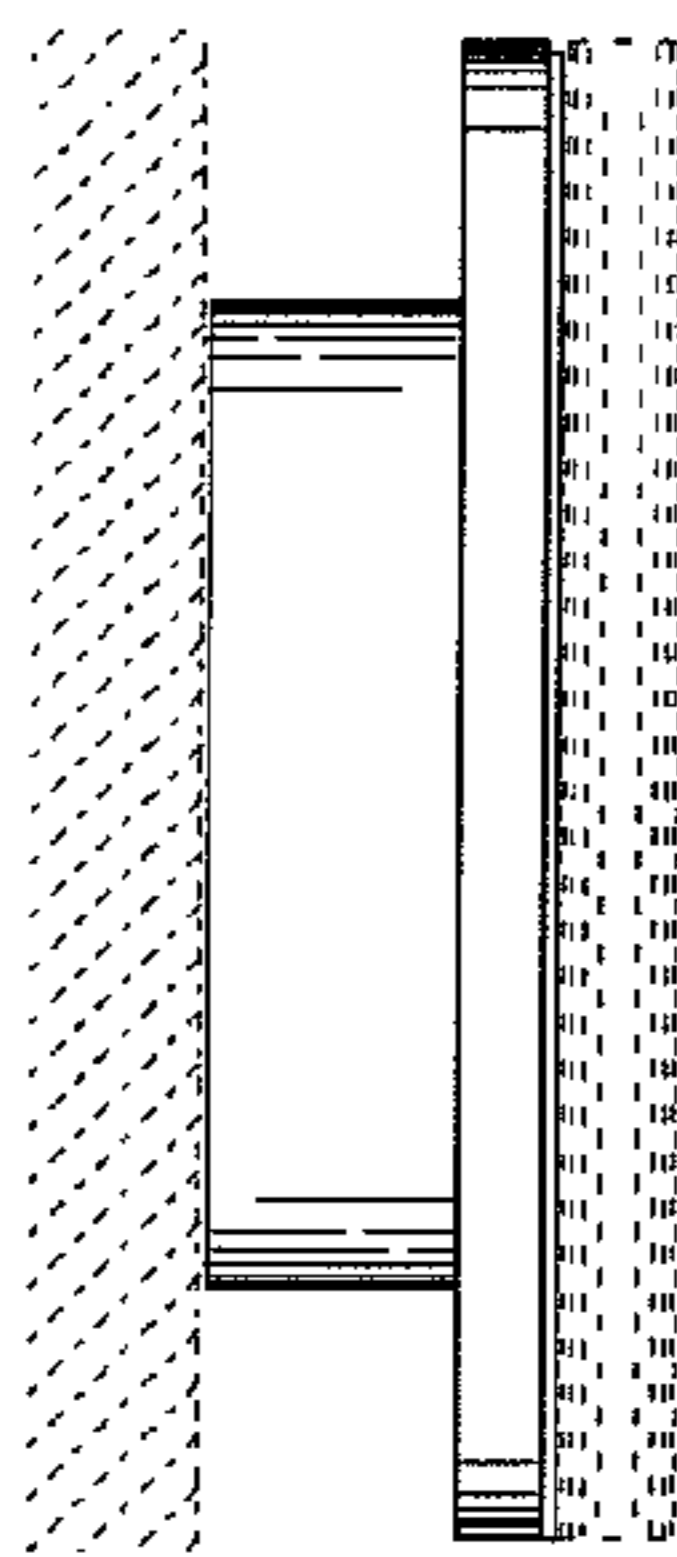


FIG. 39

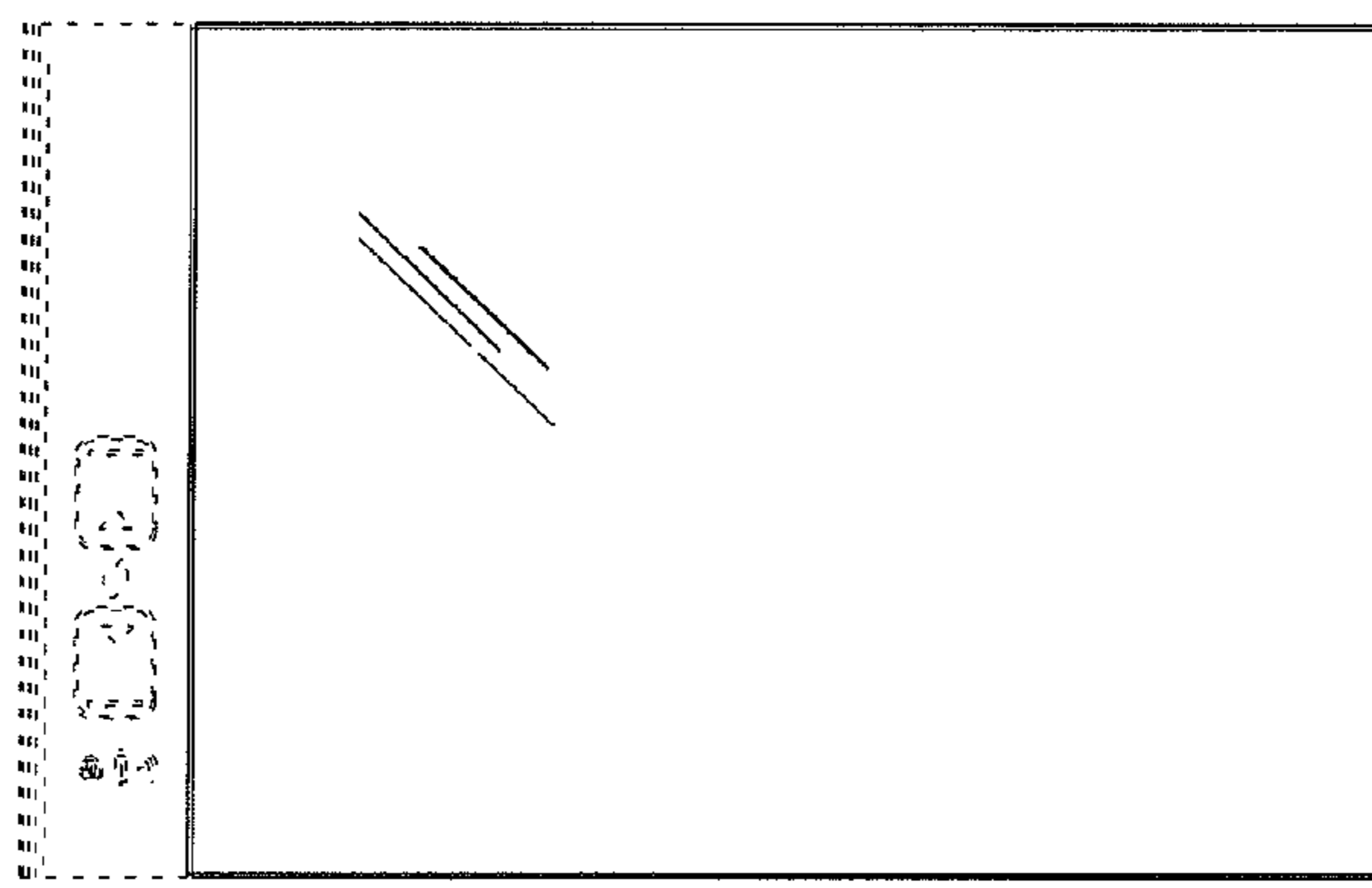


FIG. 40

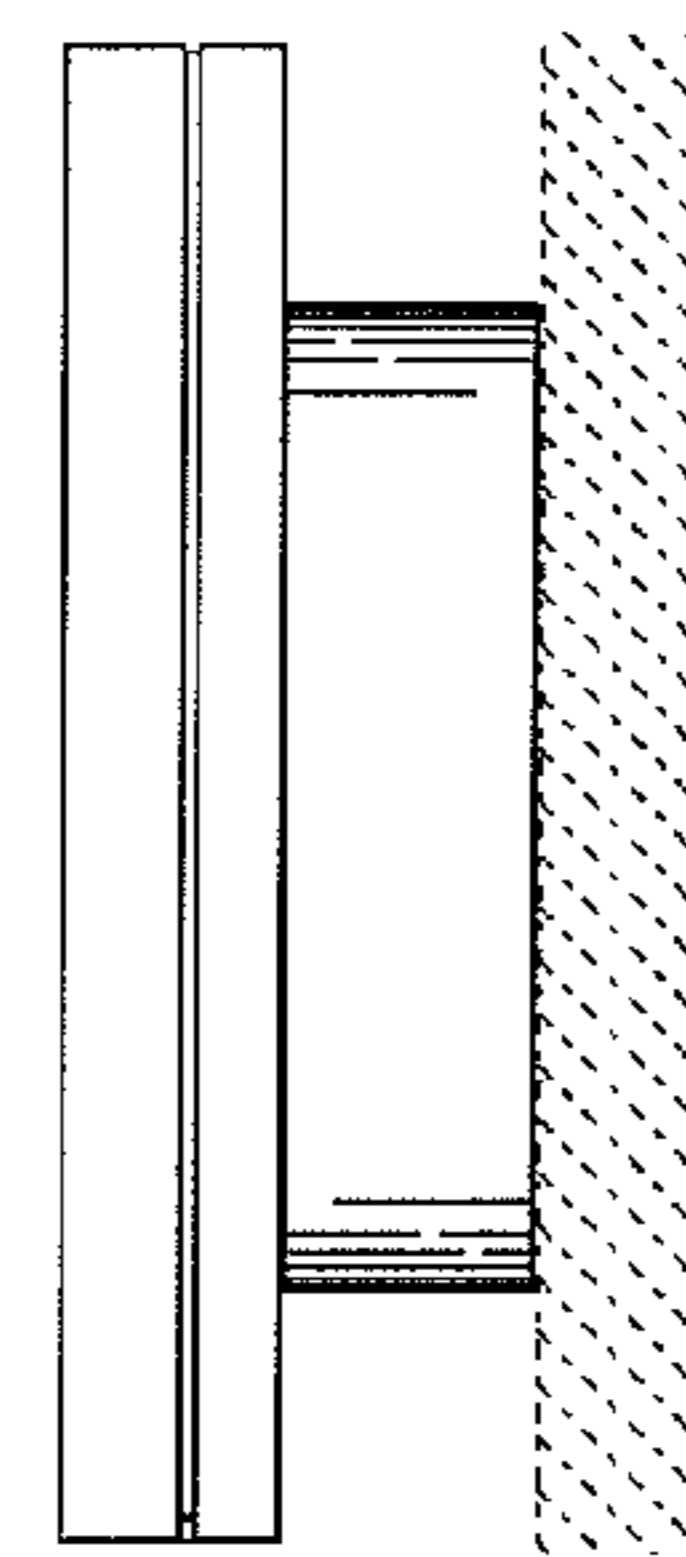


FIG. 41

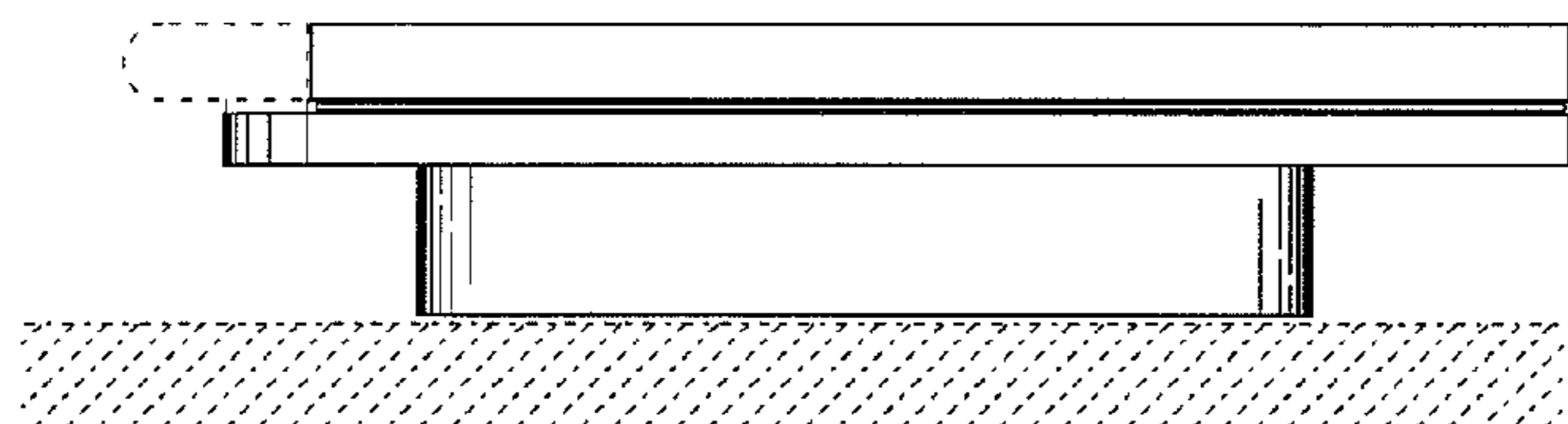


FIG. 42

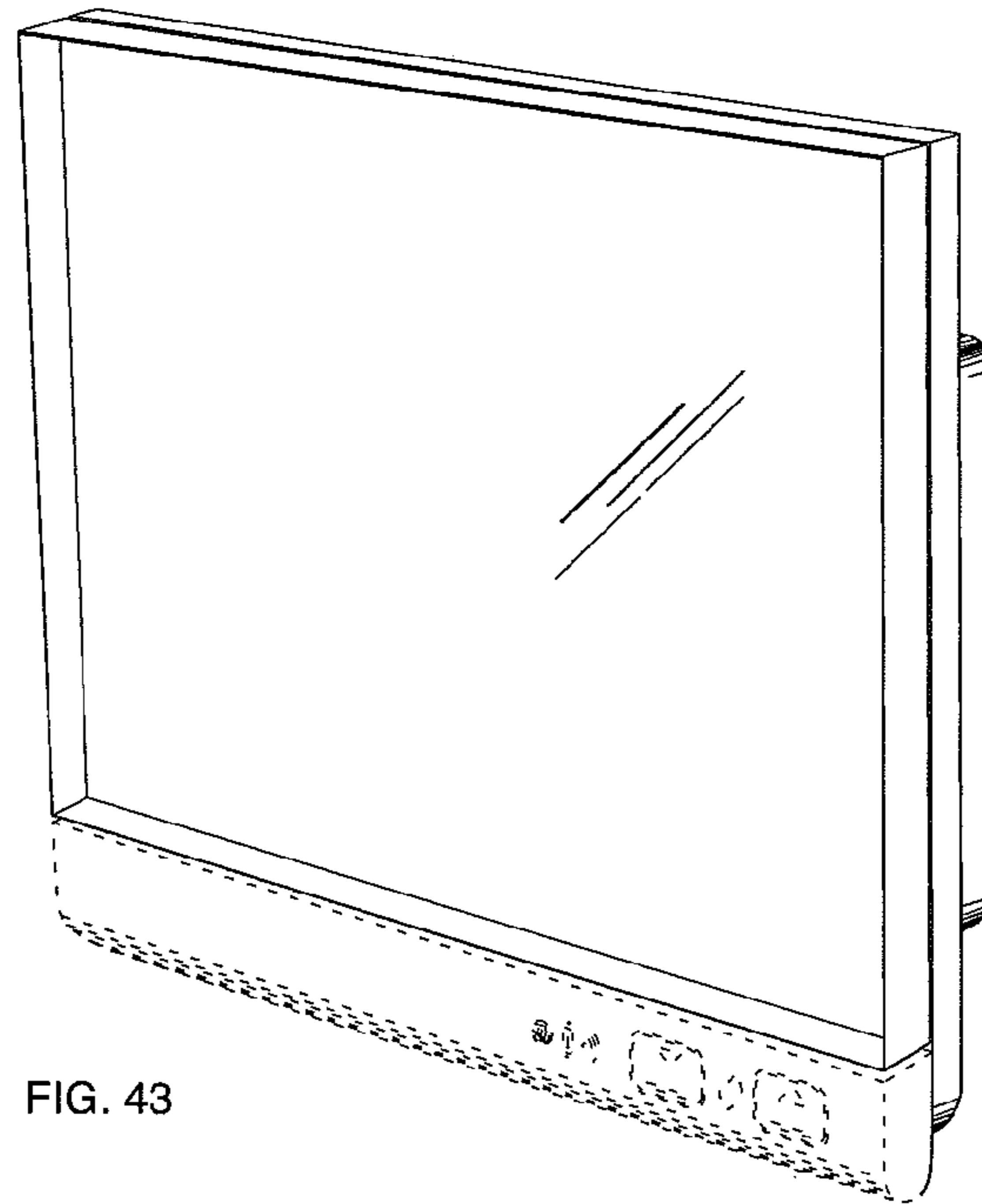


FIG. 43

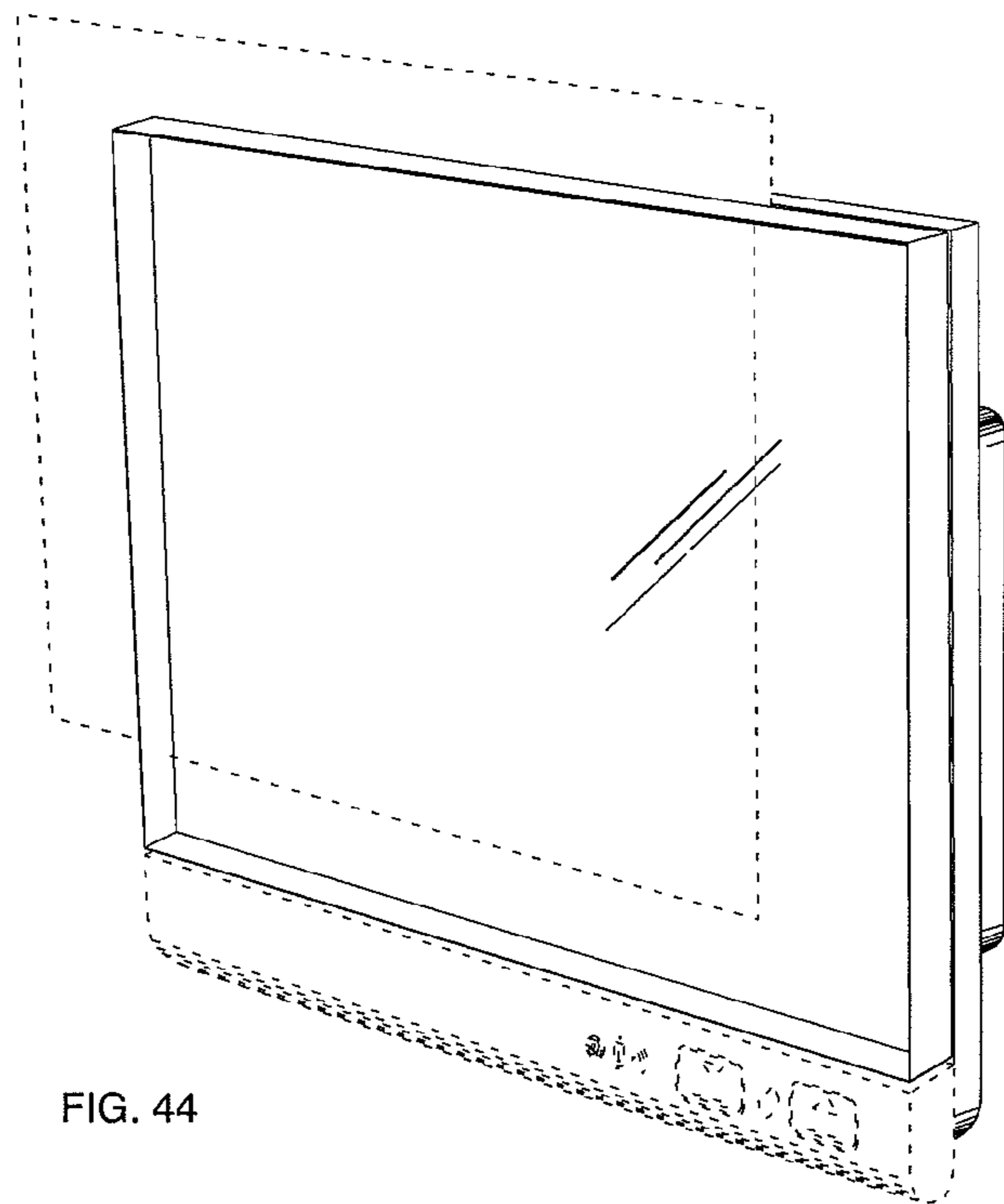


FIG. 44



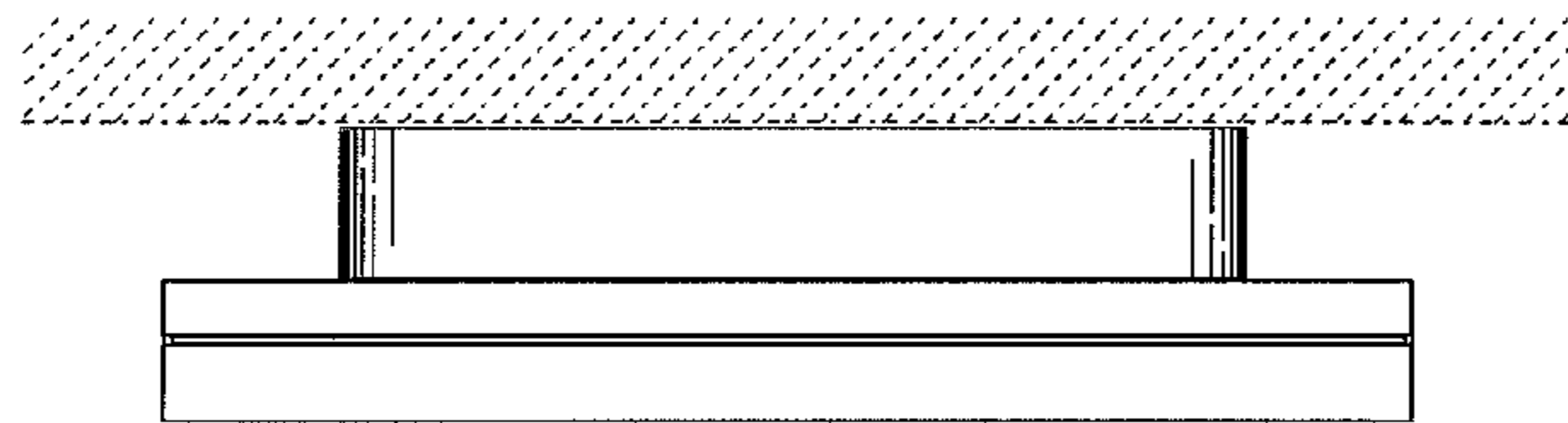


FIG. 45

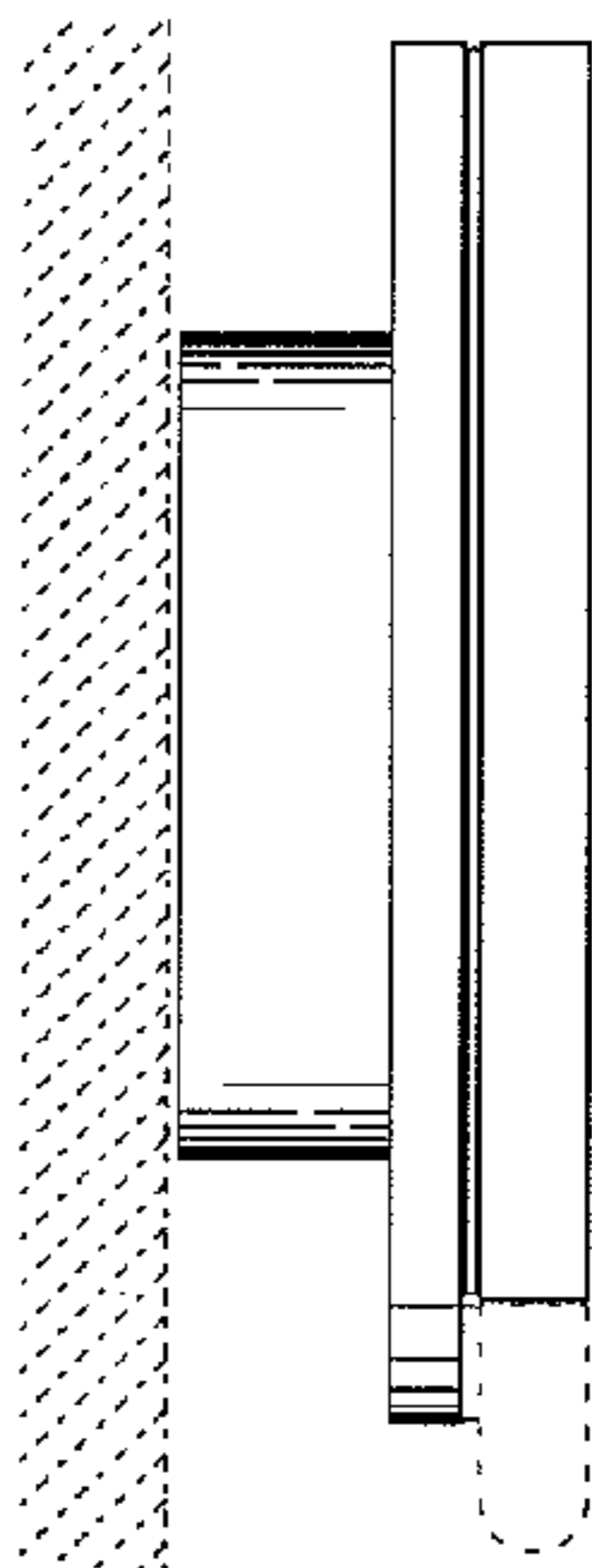


FIG. 46

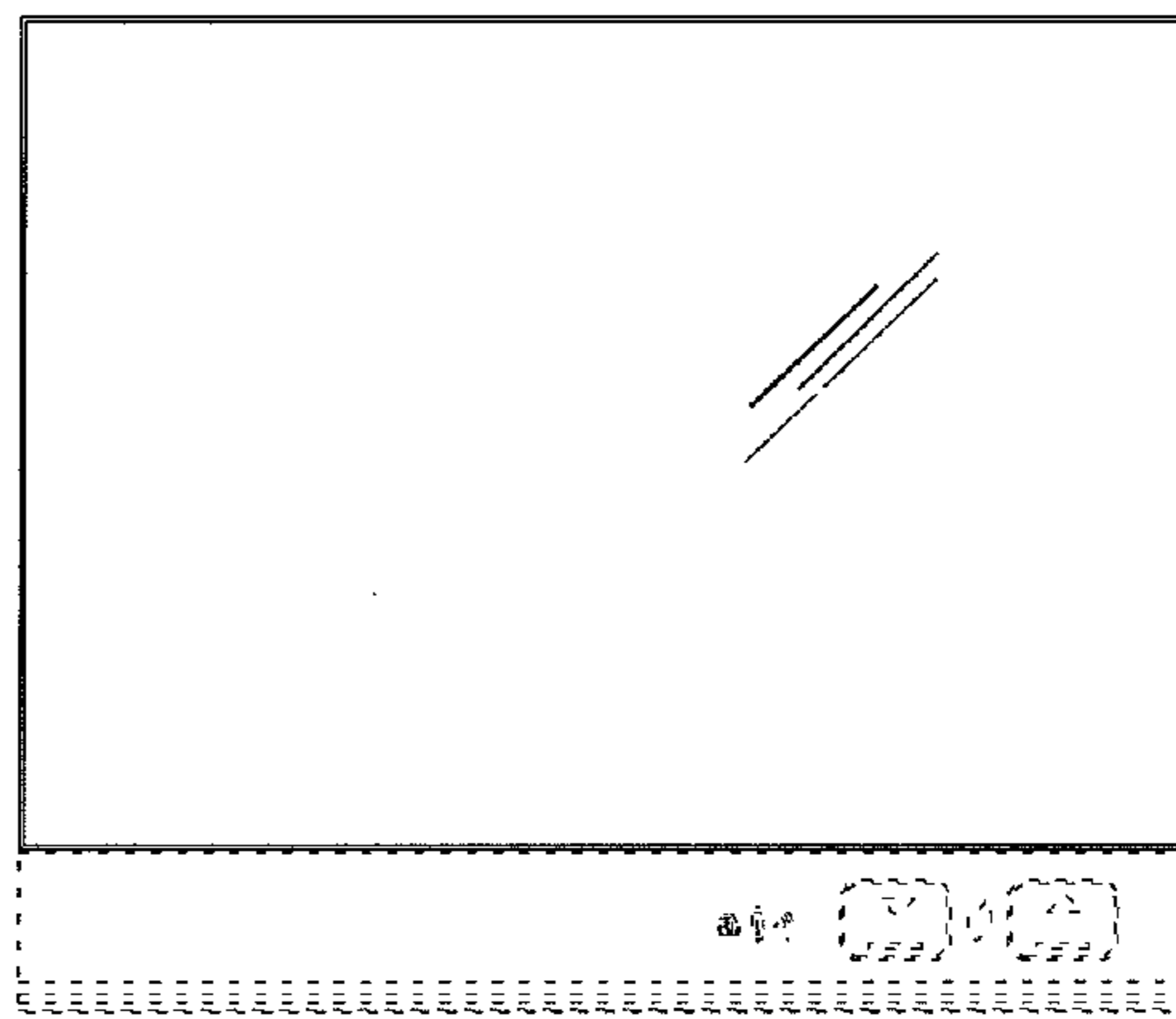


FIG. 47

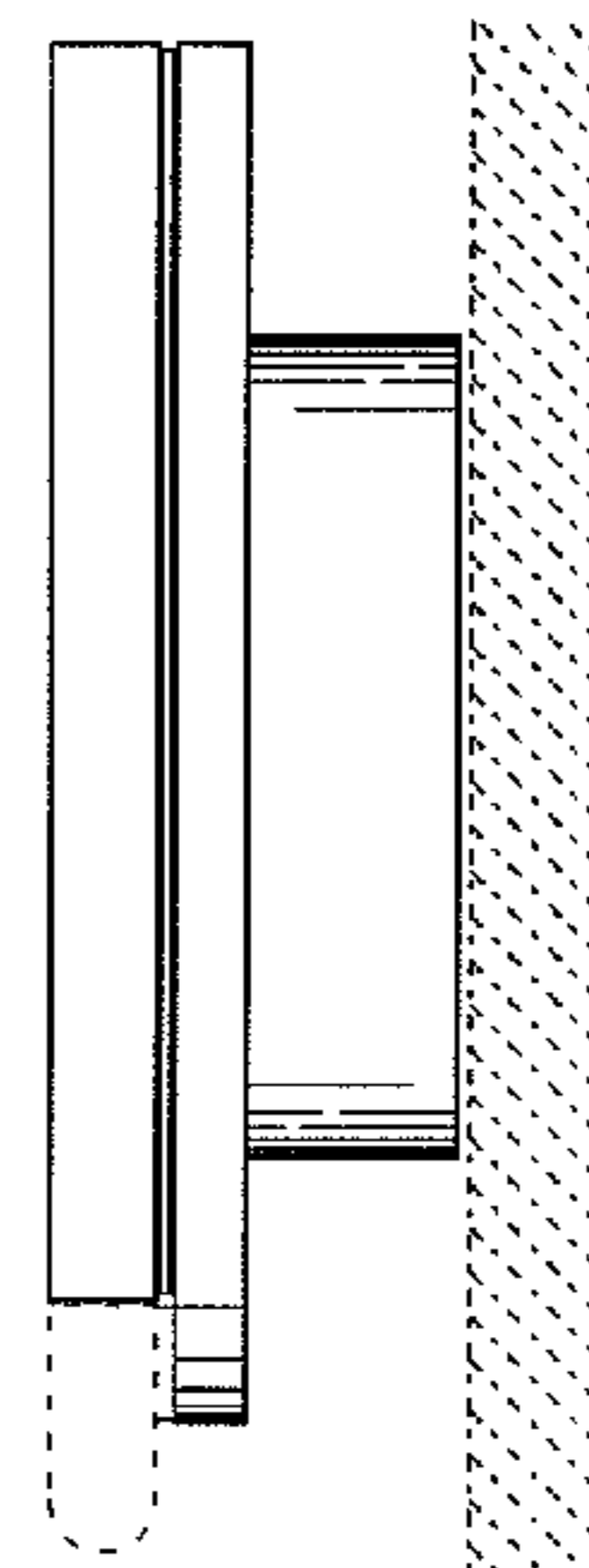


FIG. 48

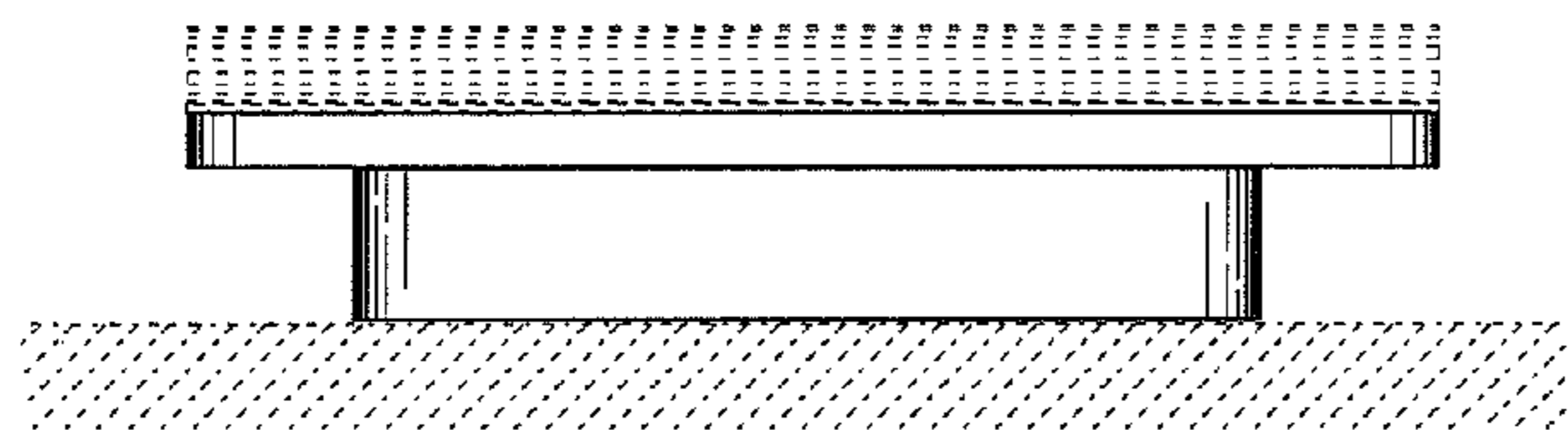


FIG. 49

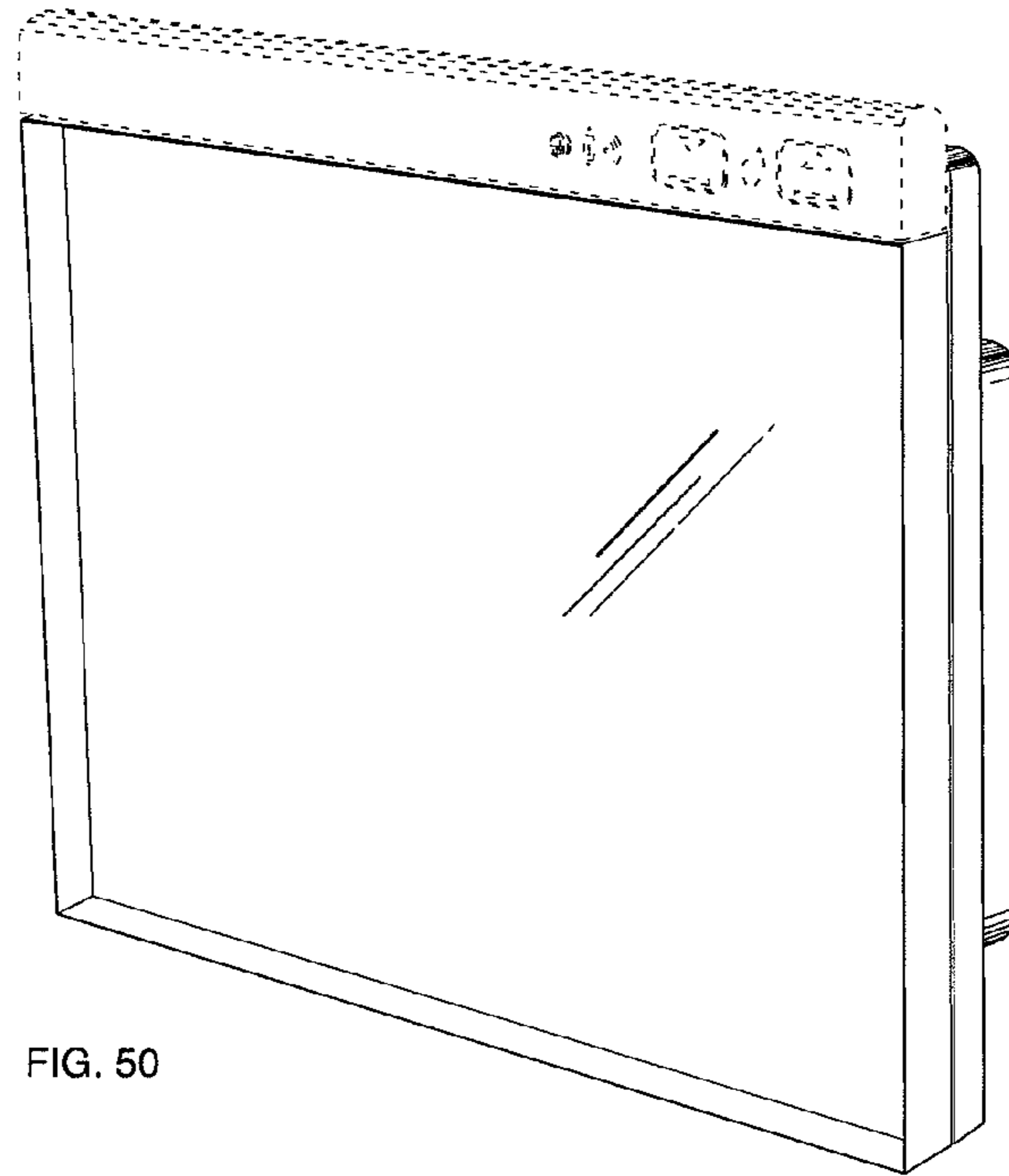


FIG. 50

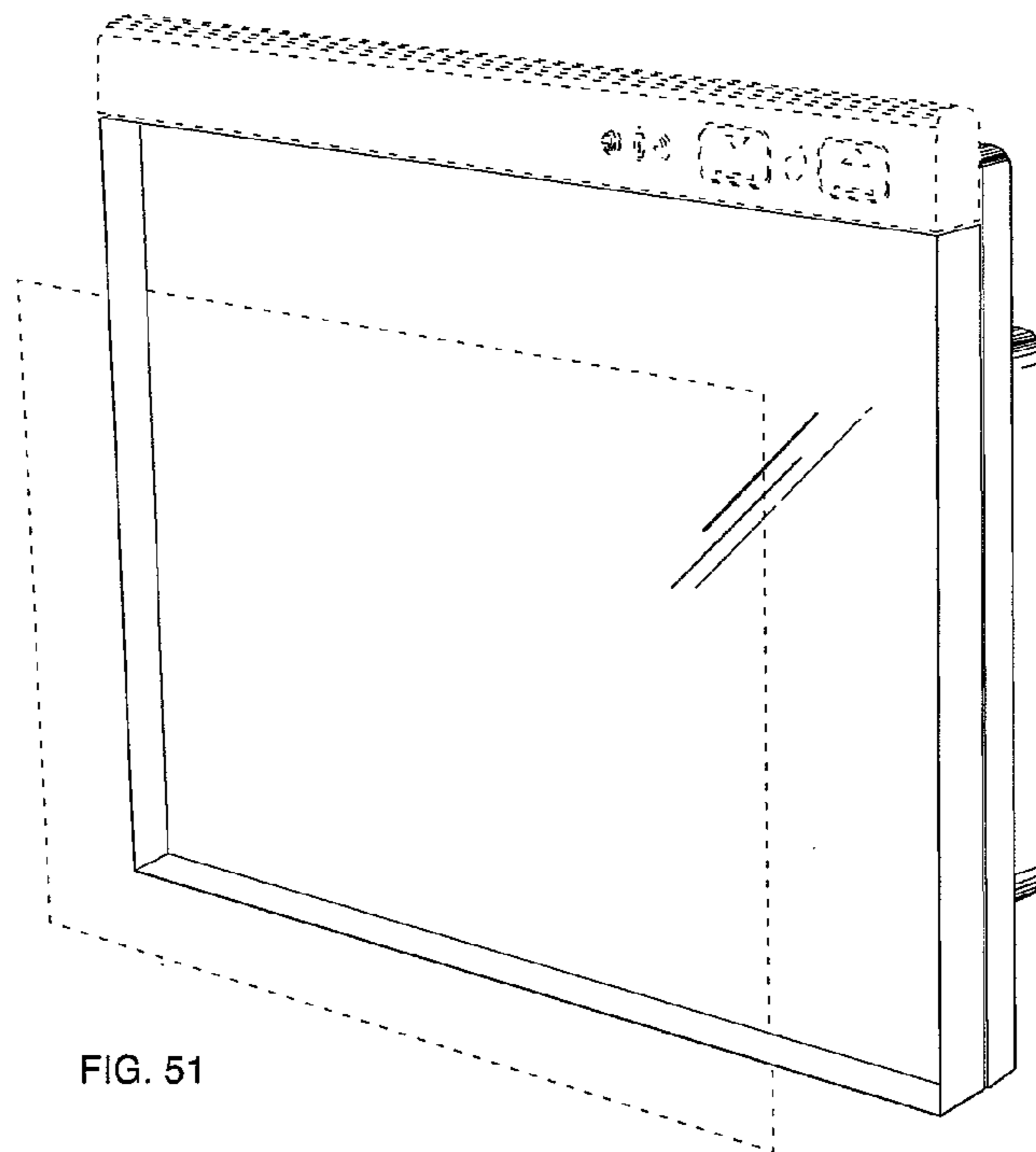


FIG. 51

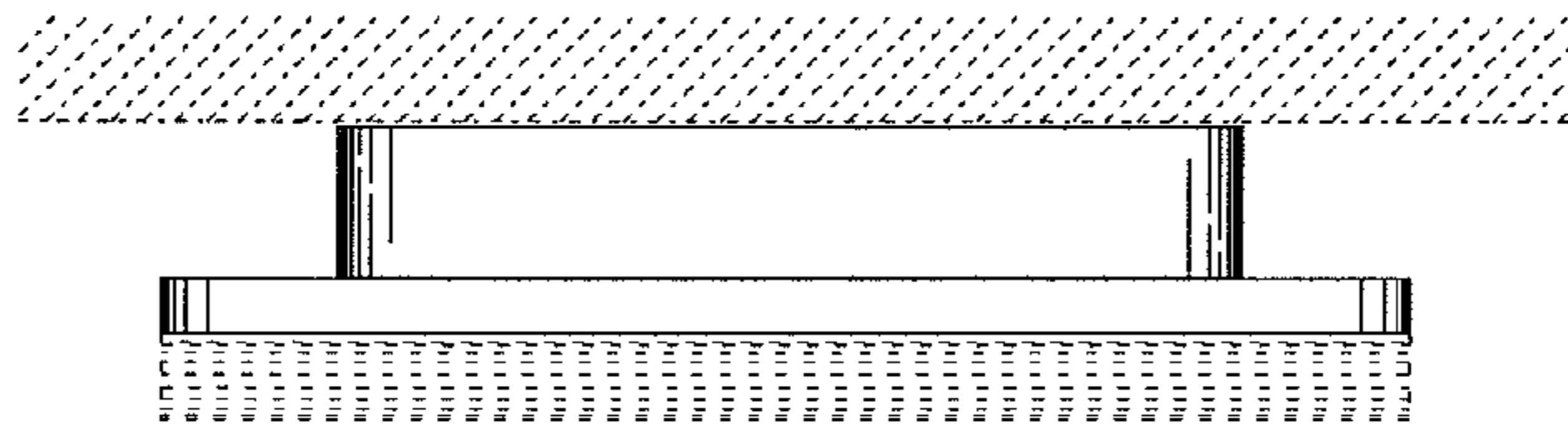


FIG. 52

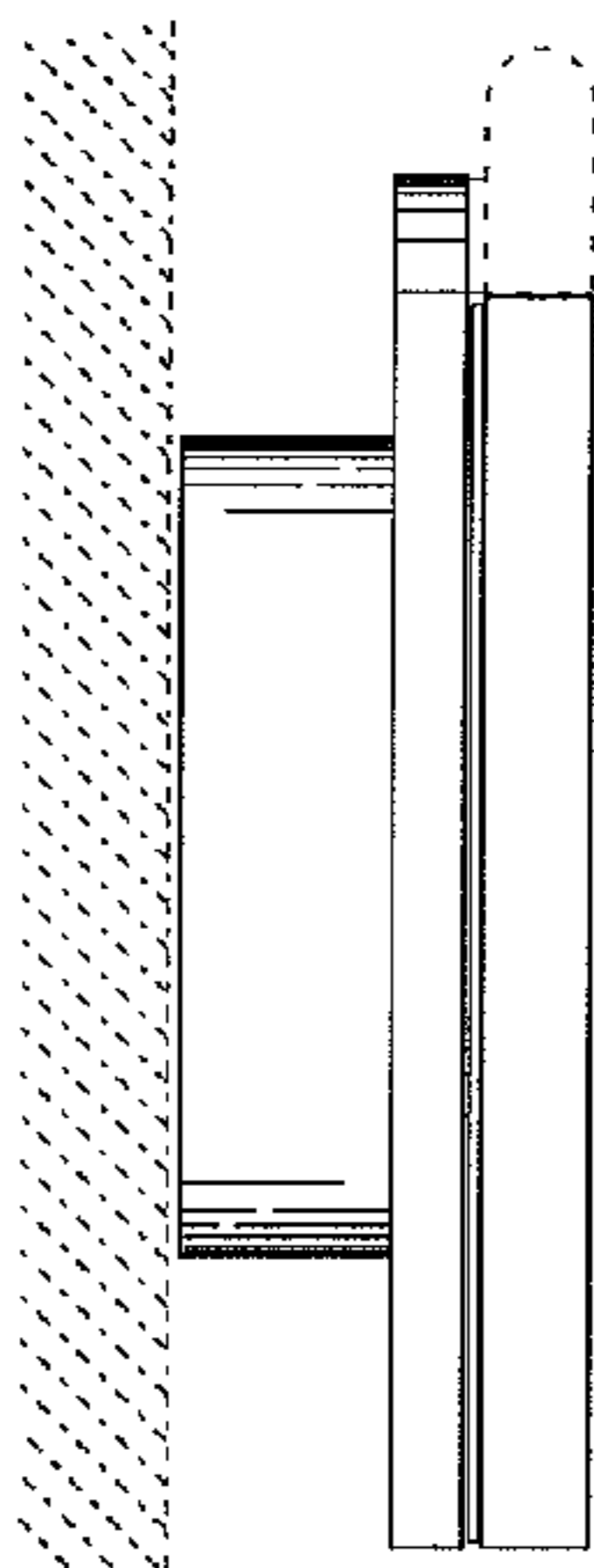


FIG. 53

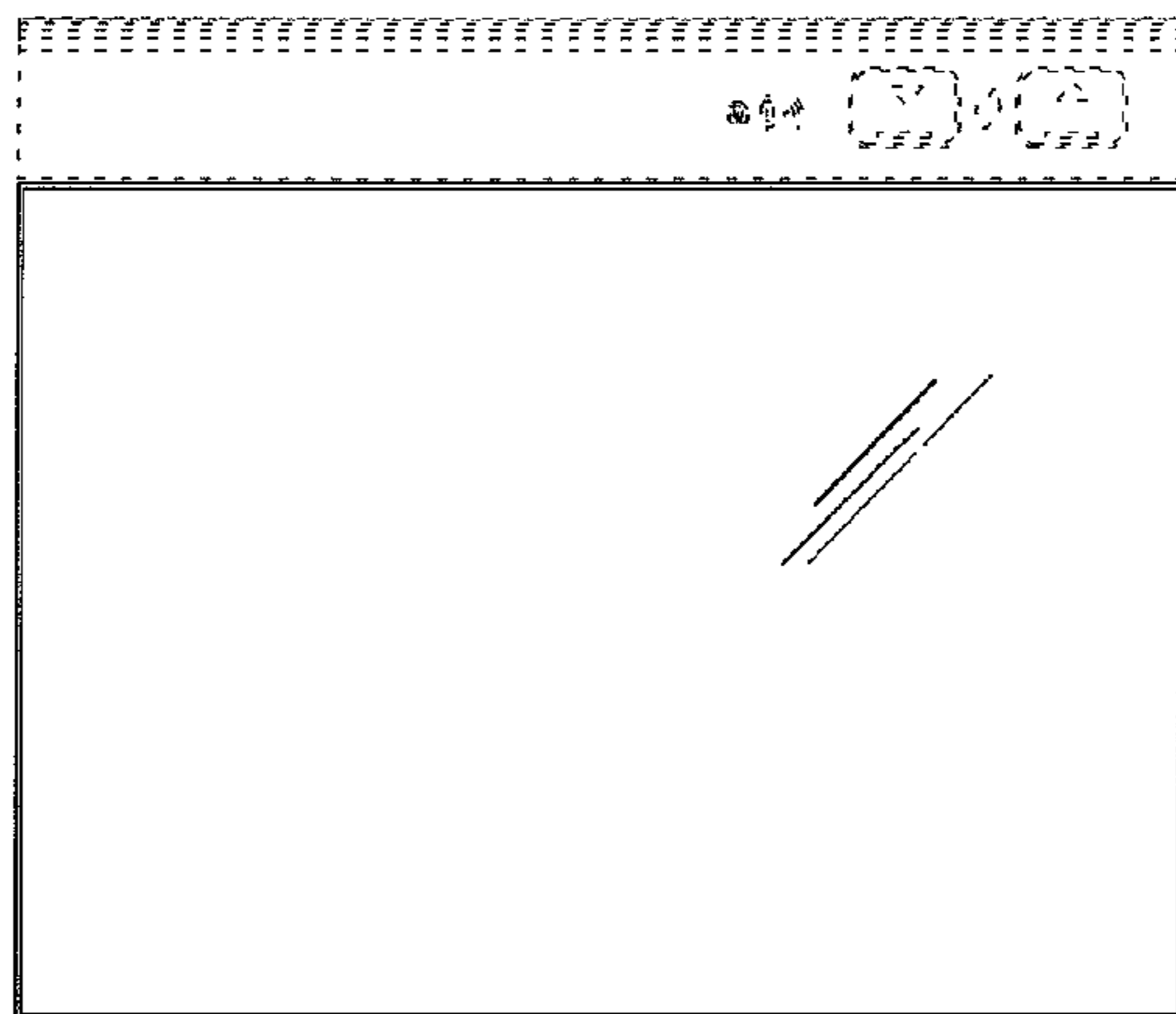


FIG. 54

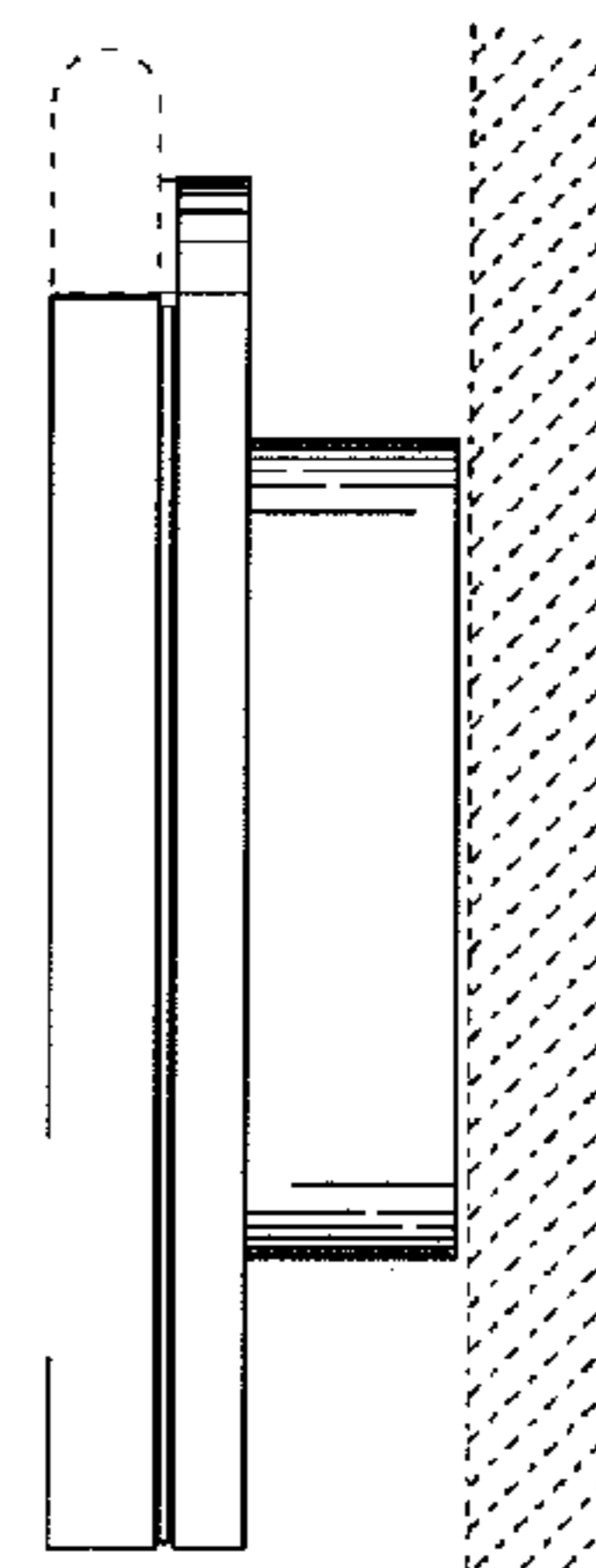


FIG. 55

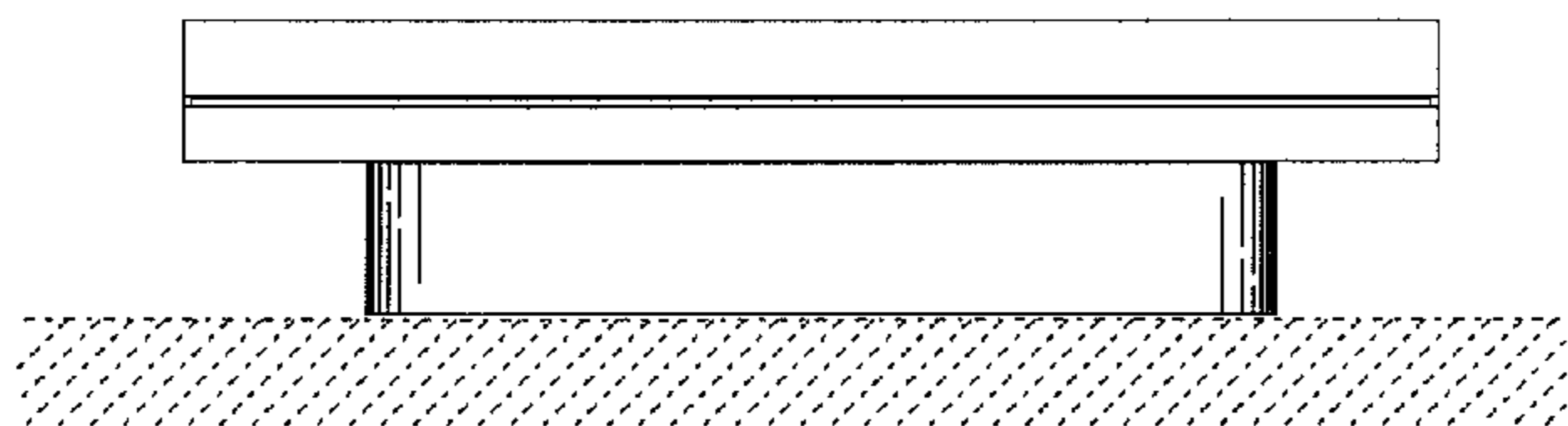


FIG. 56

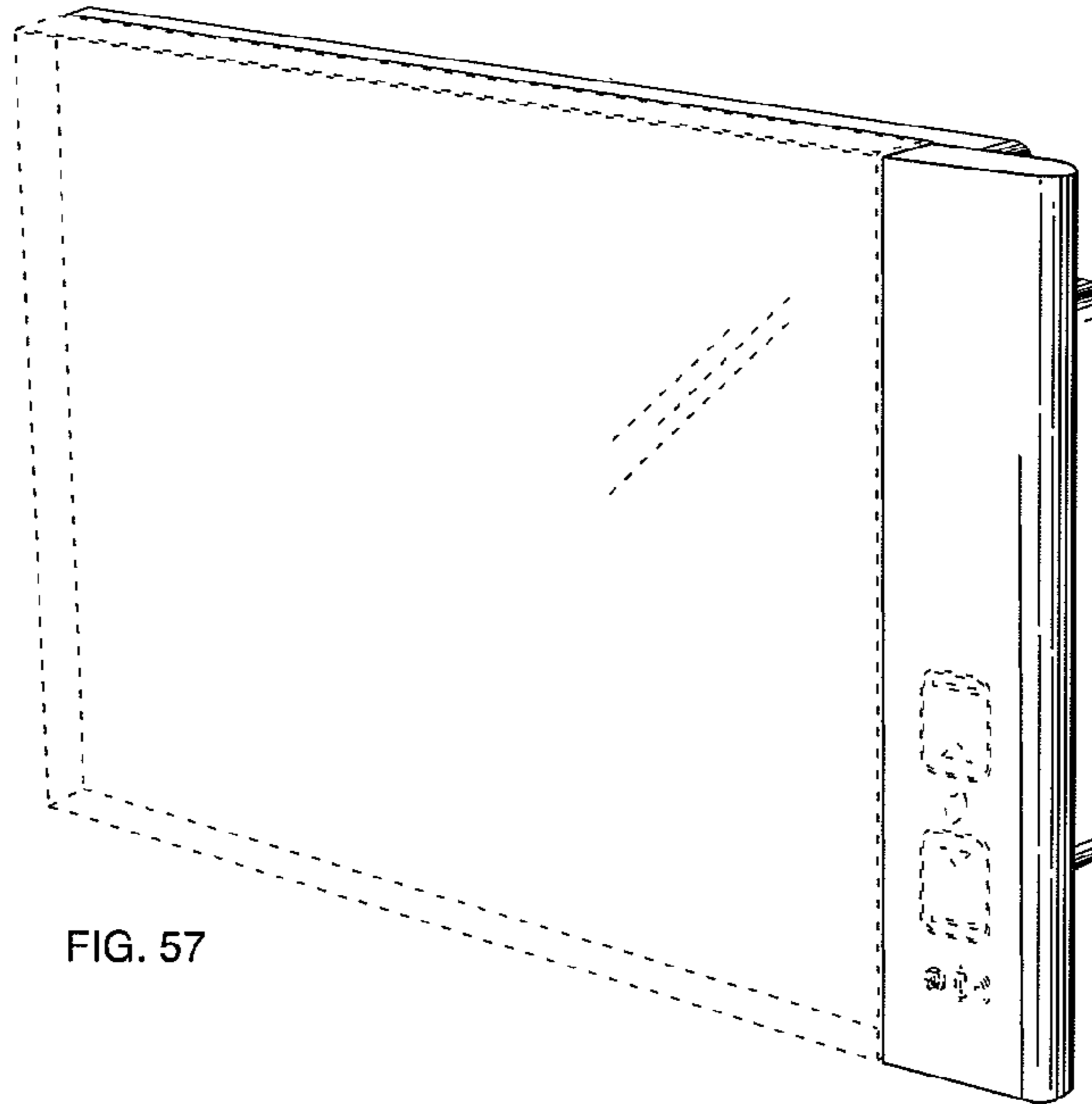


FIG. 57

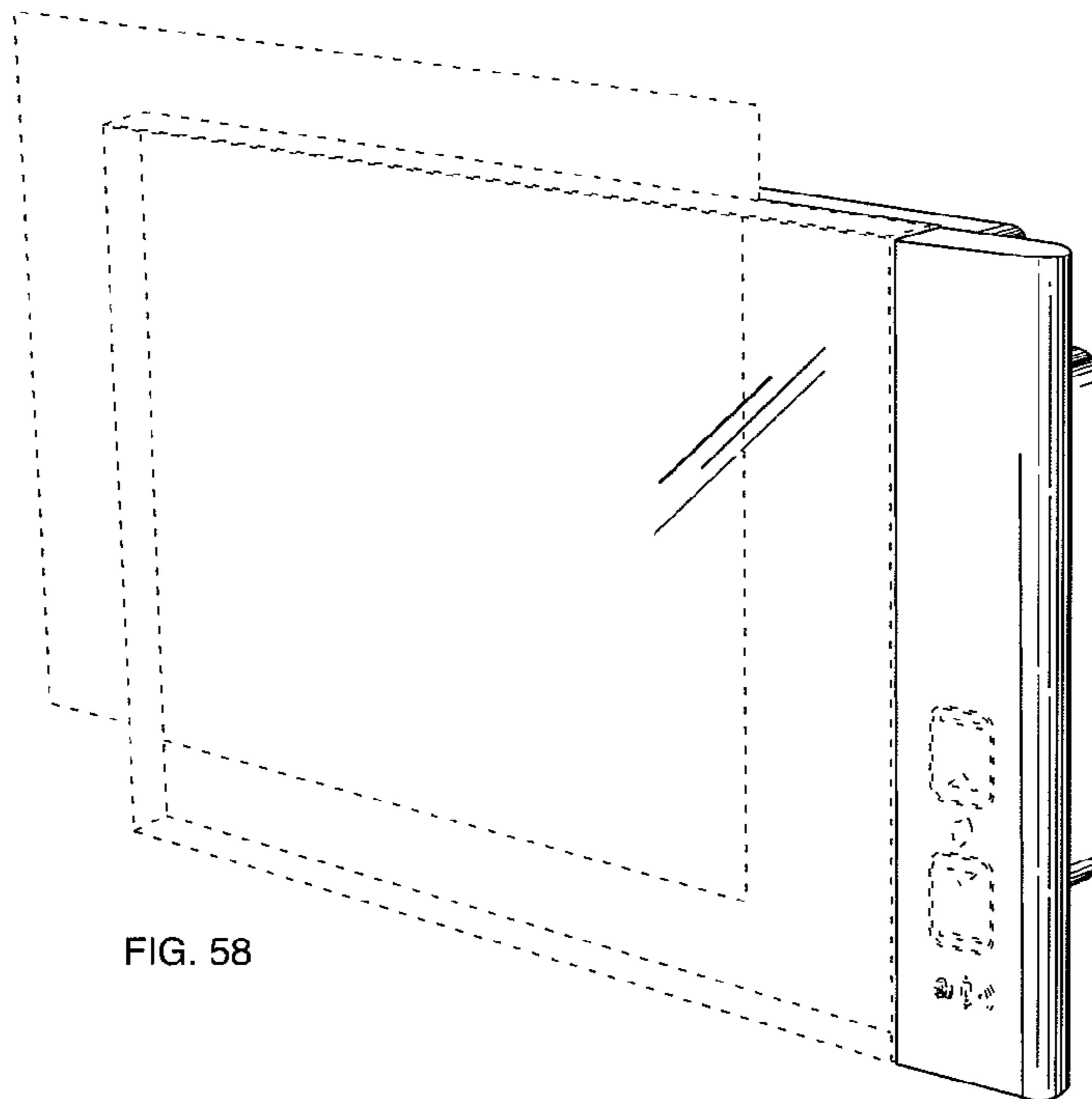


FIG. 58

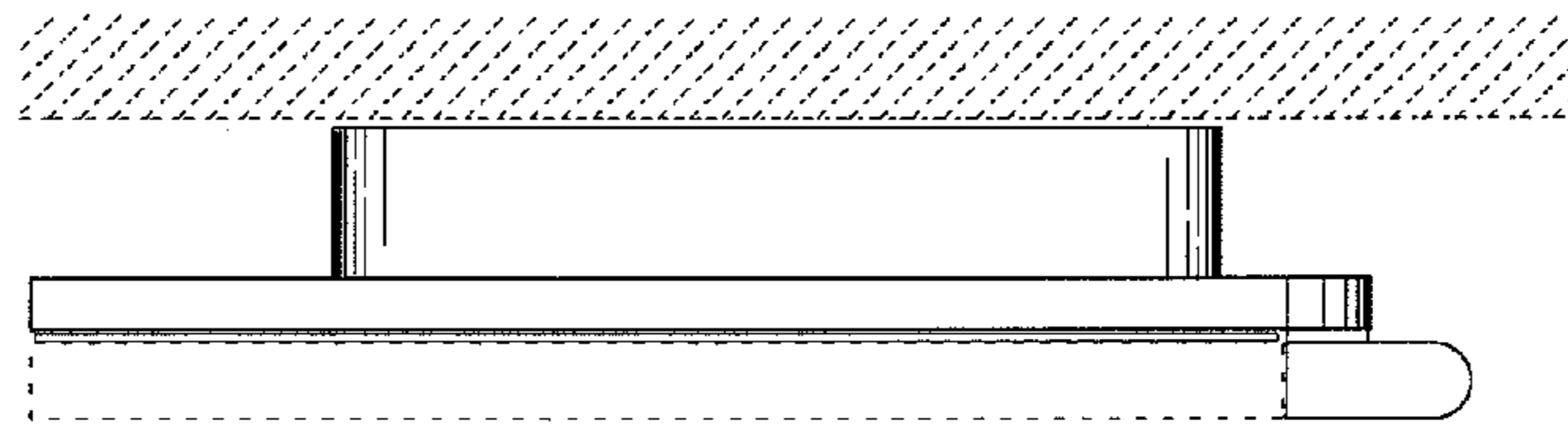


FIG. 59

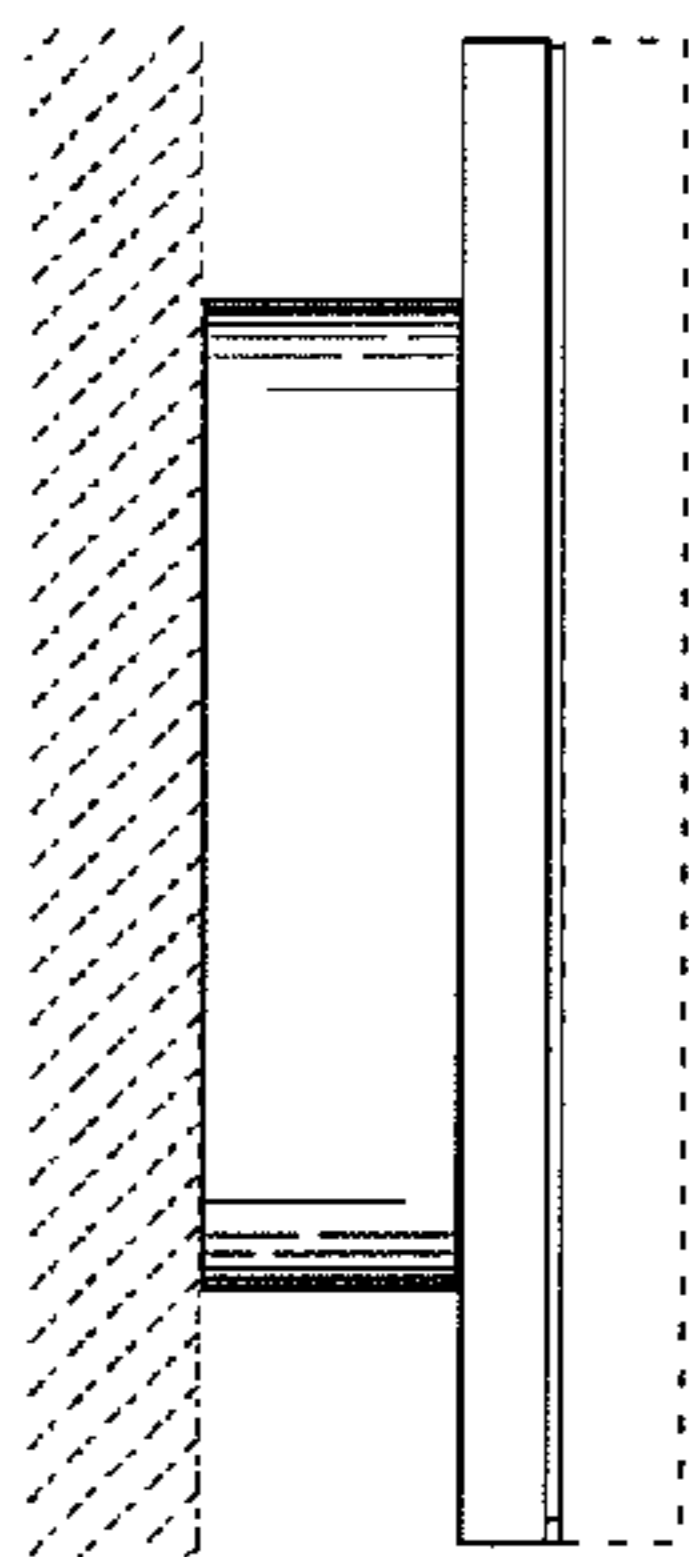


FIG. 60

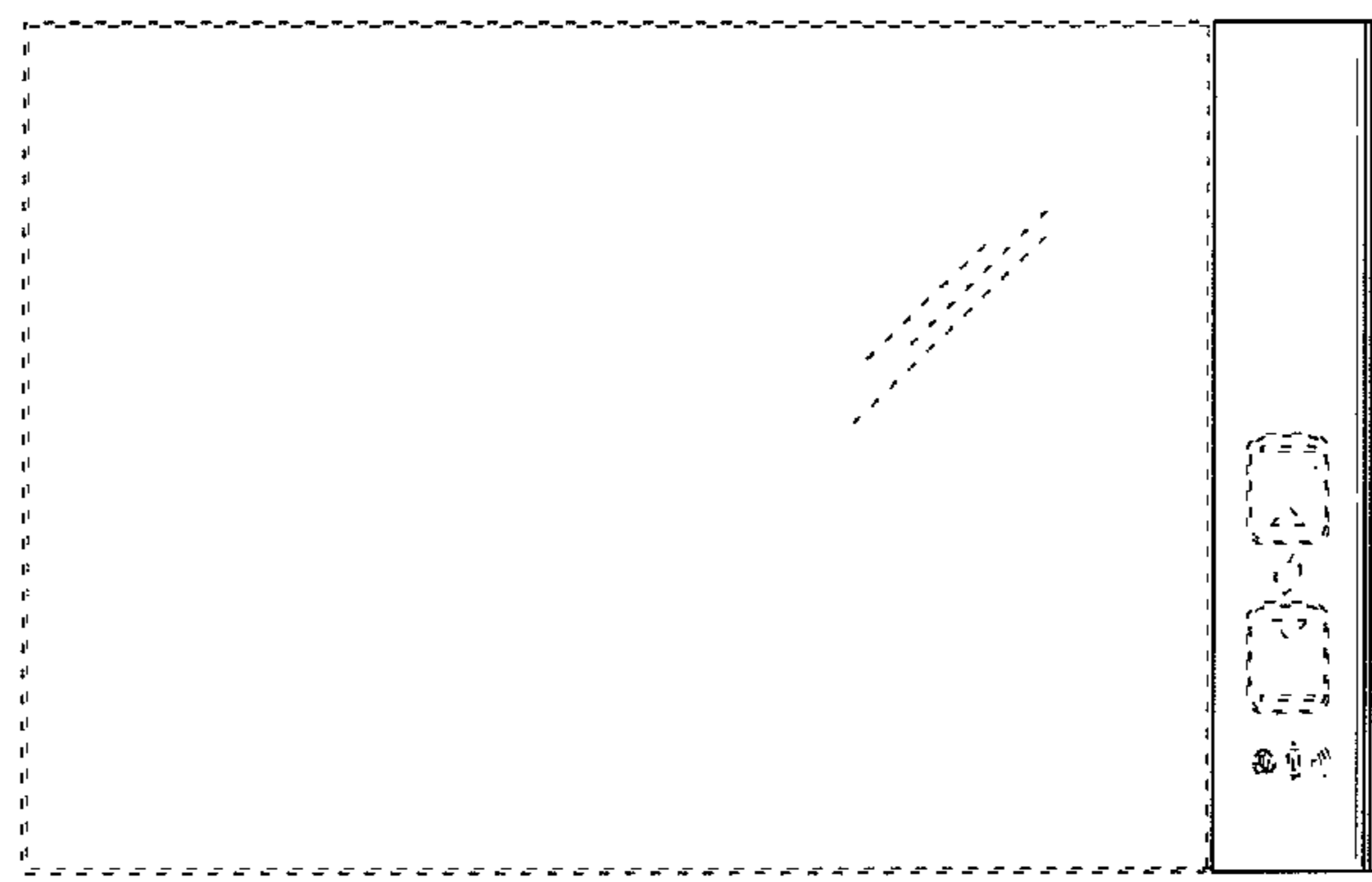


FIG. 61

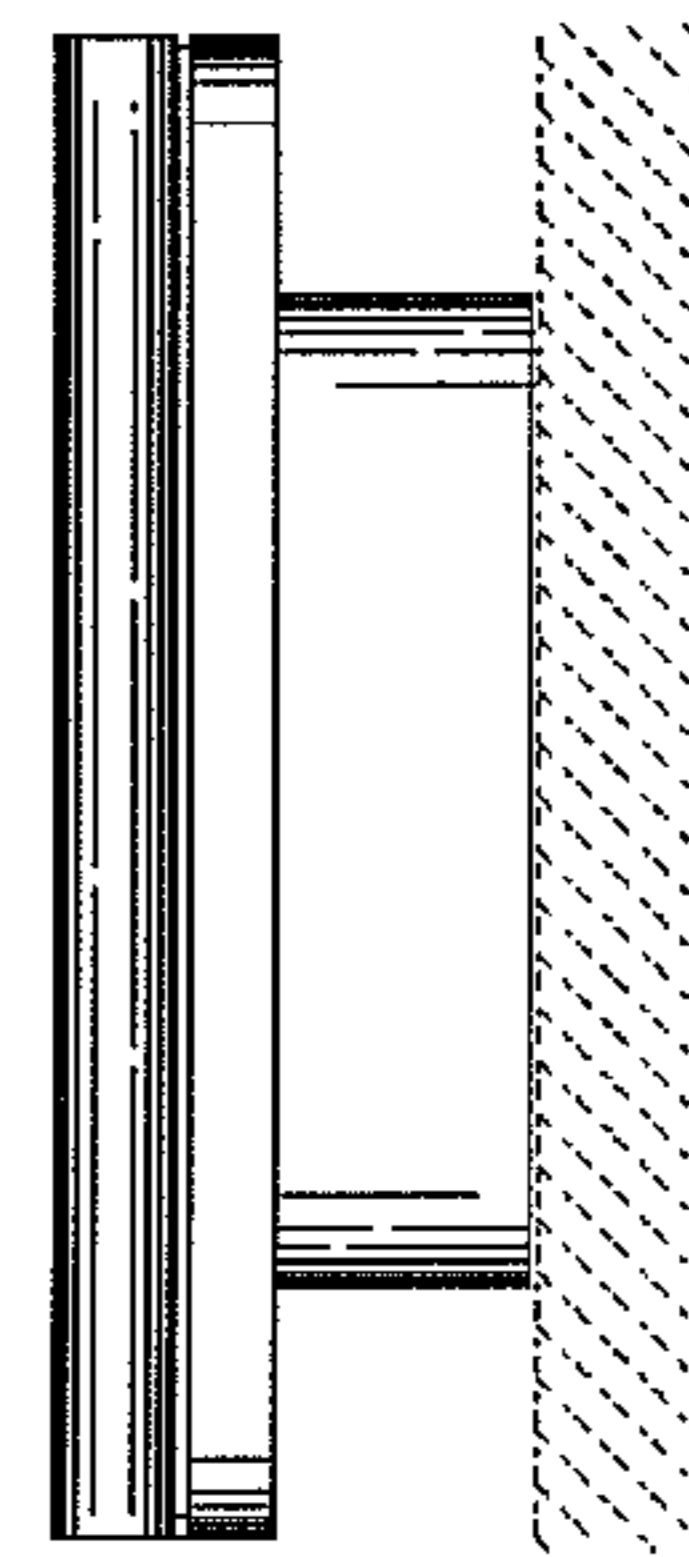


FIG. 62

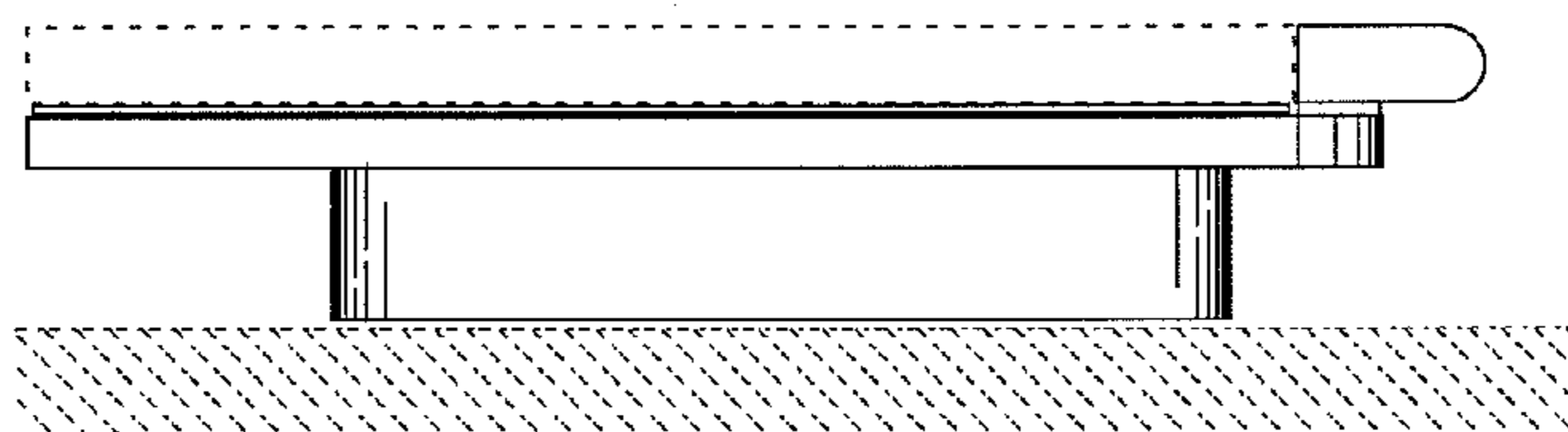


FIG. 63

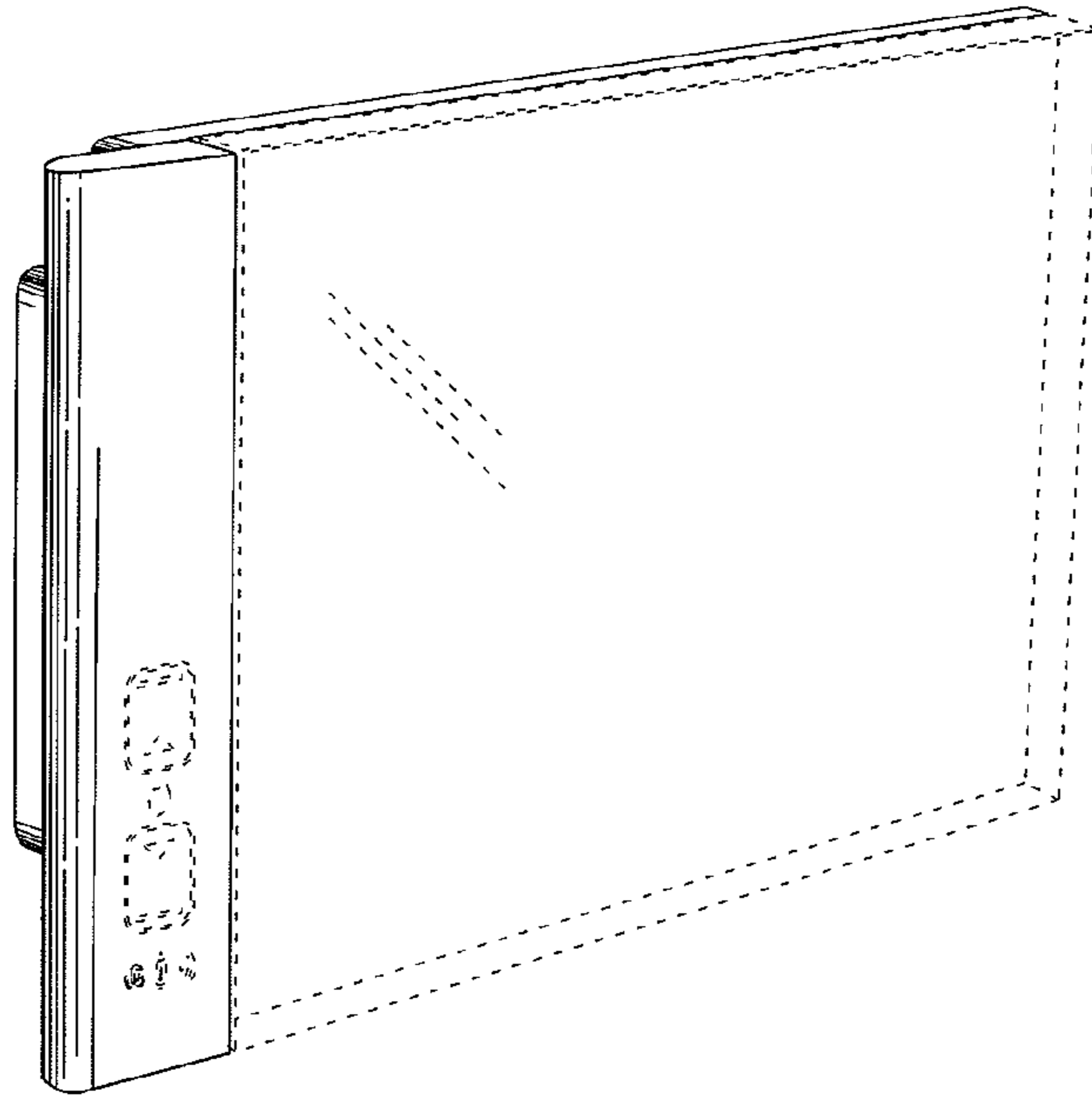


FIG. 64

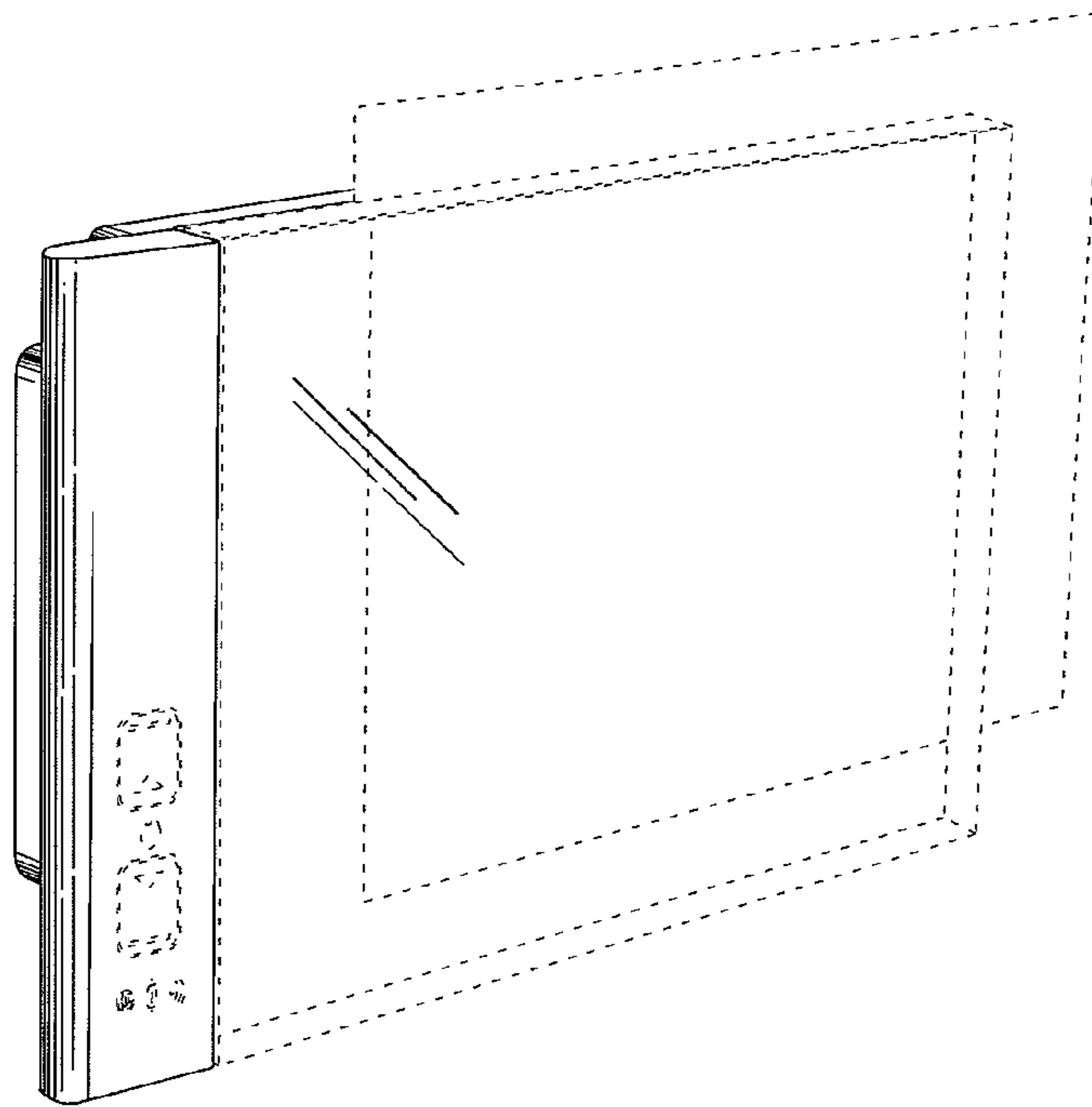


FIG. 65

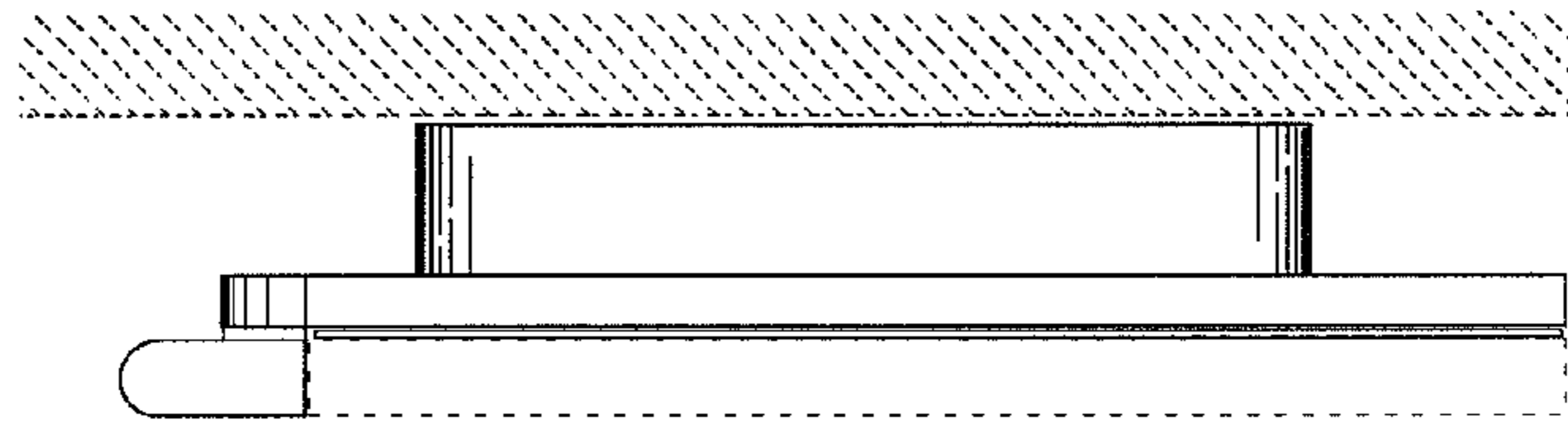


FIG. 66

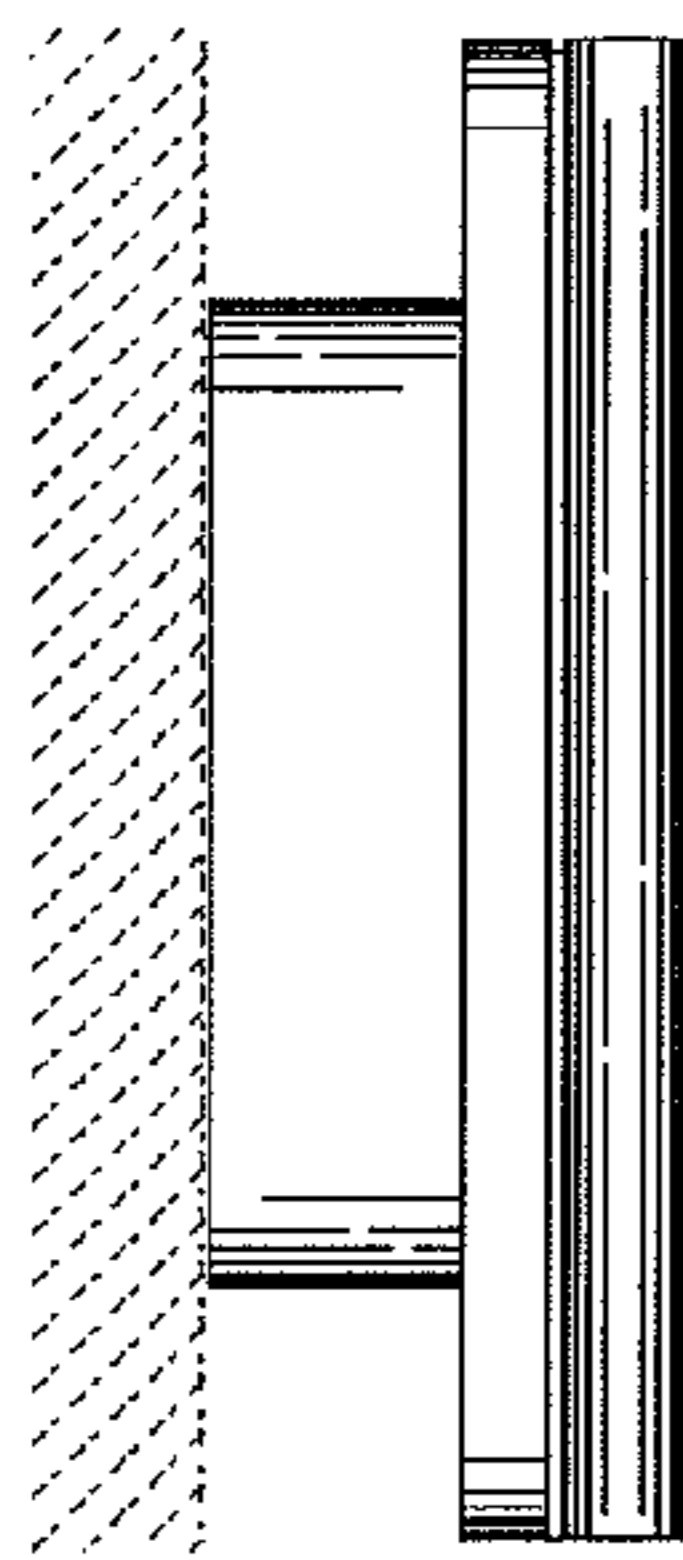


FIG. 67

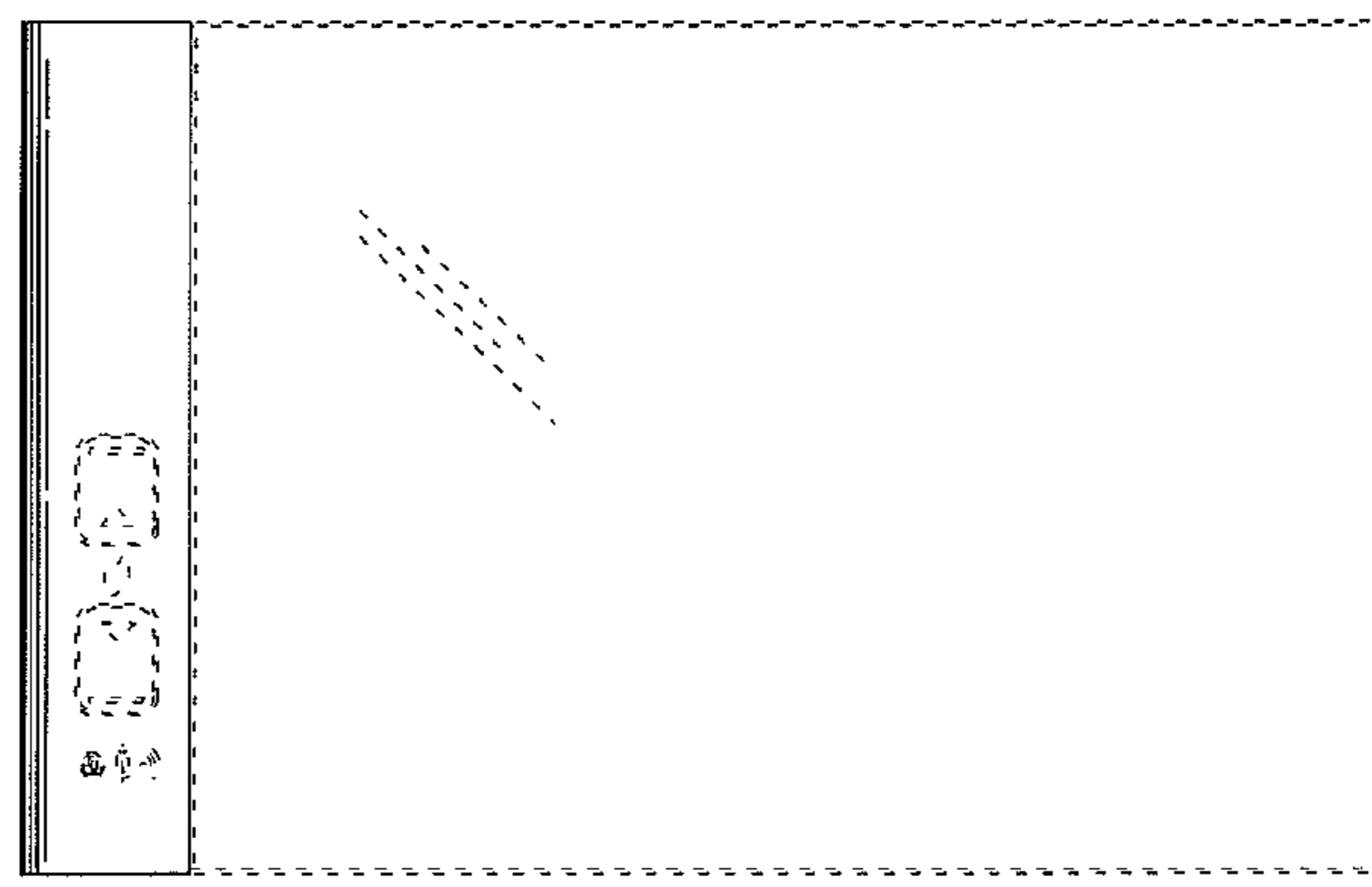


FIG. 68

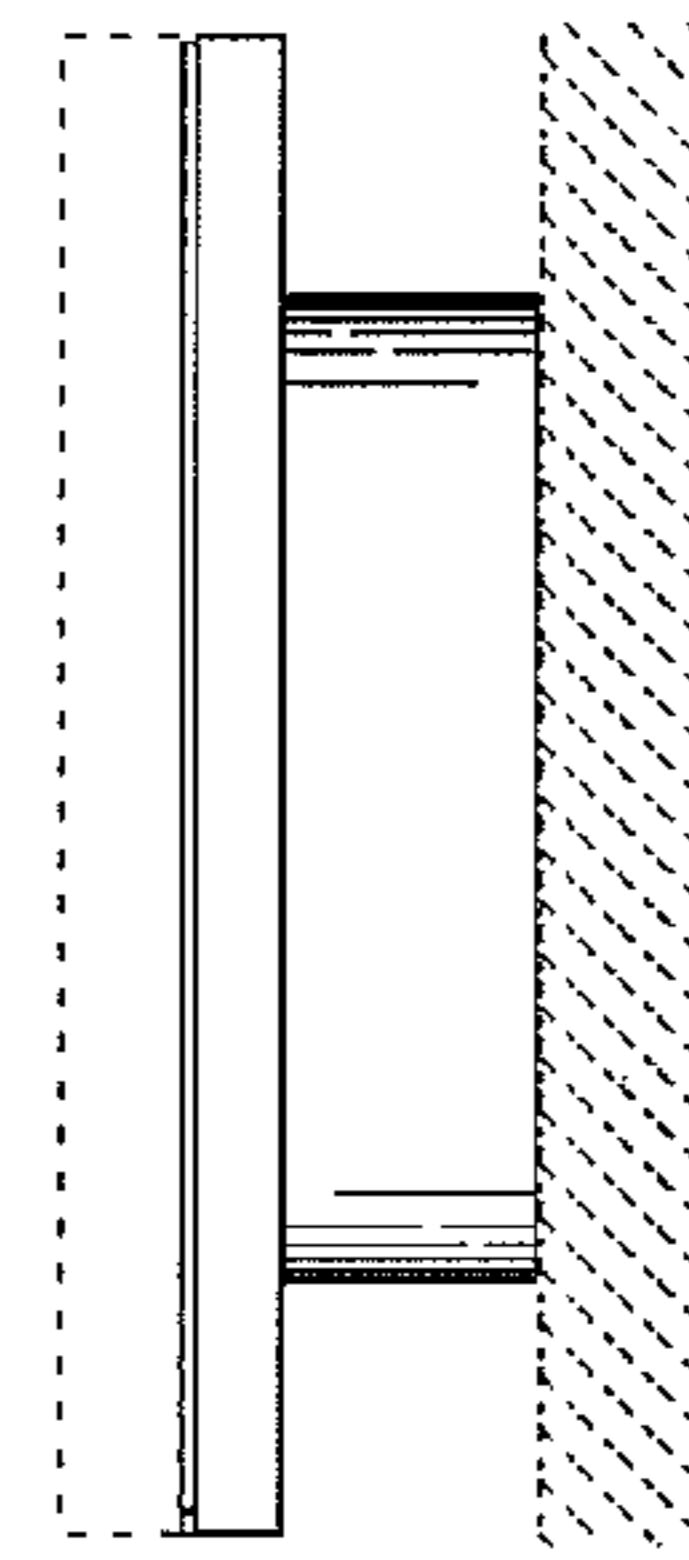


FIG. 69

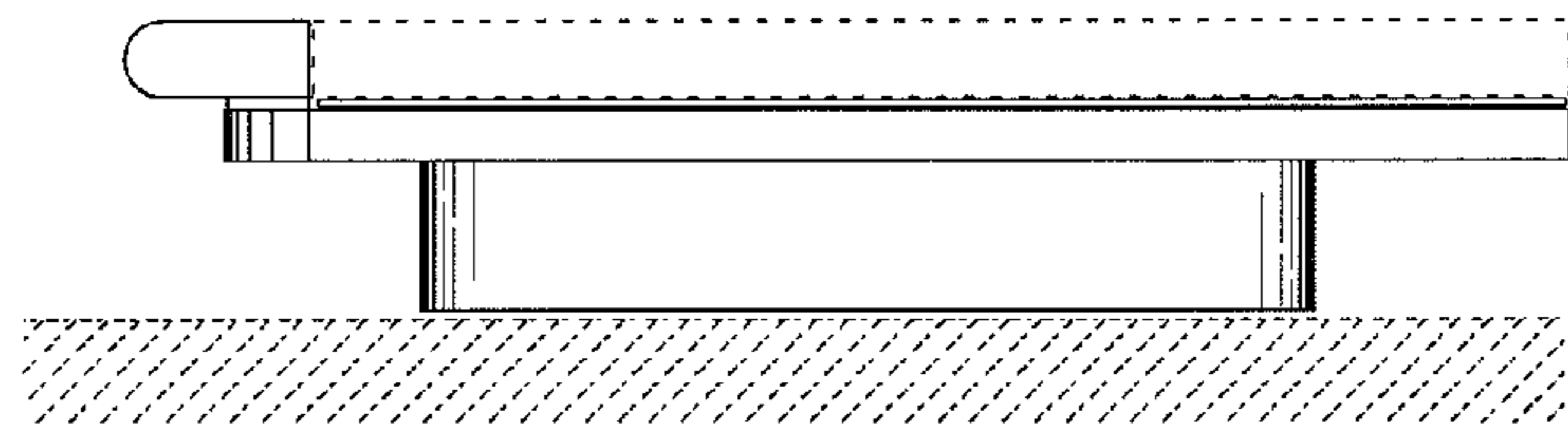


FIG. 70

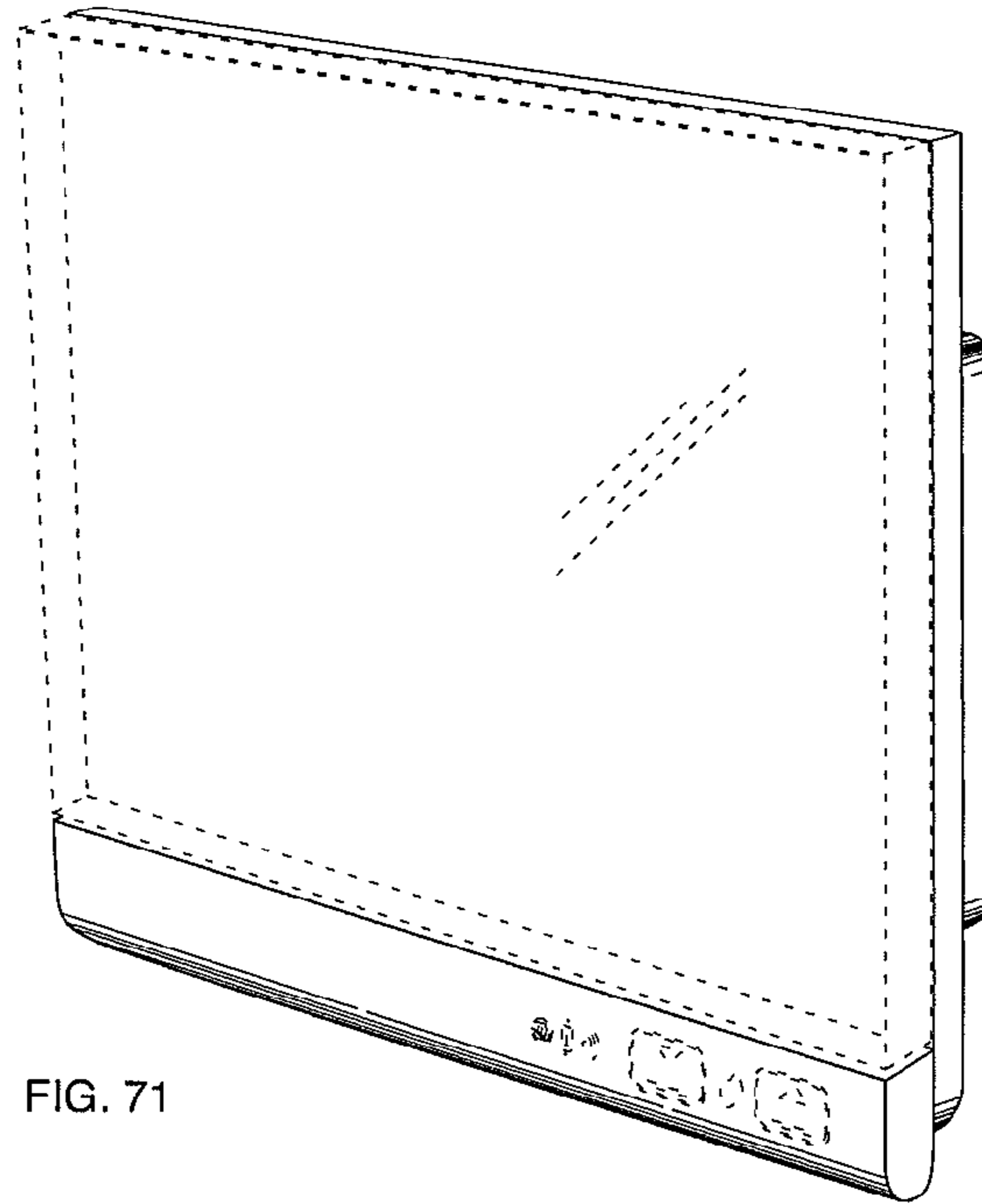


FIG. 71

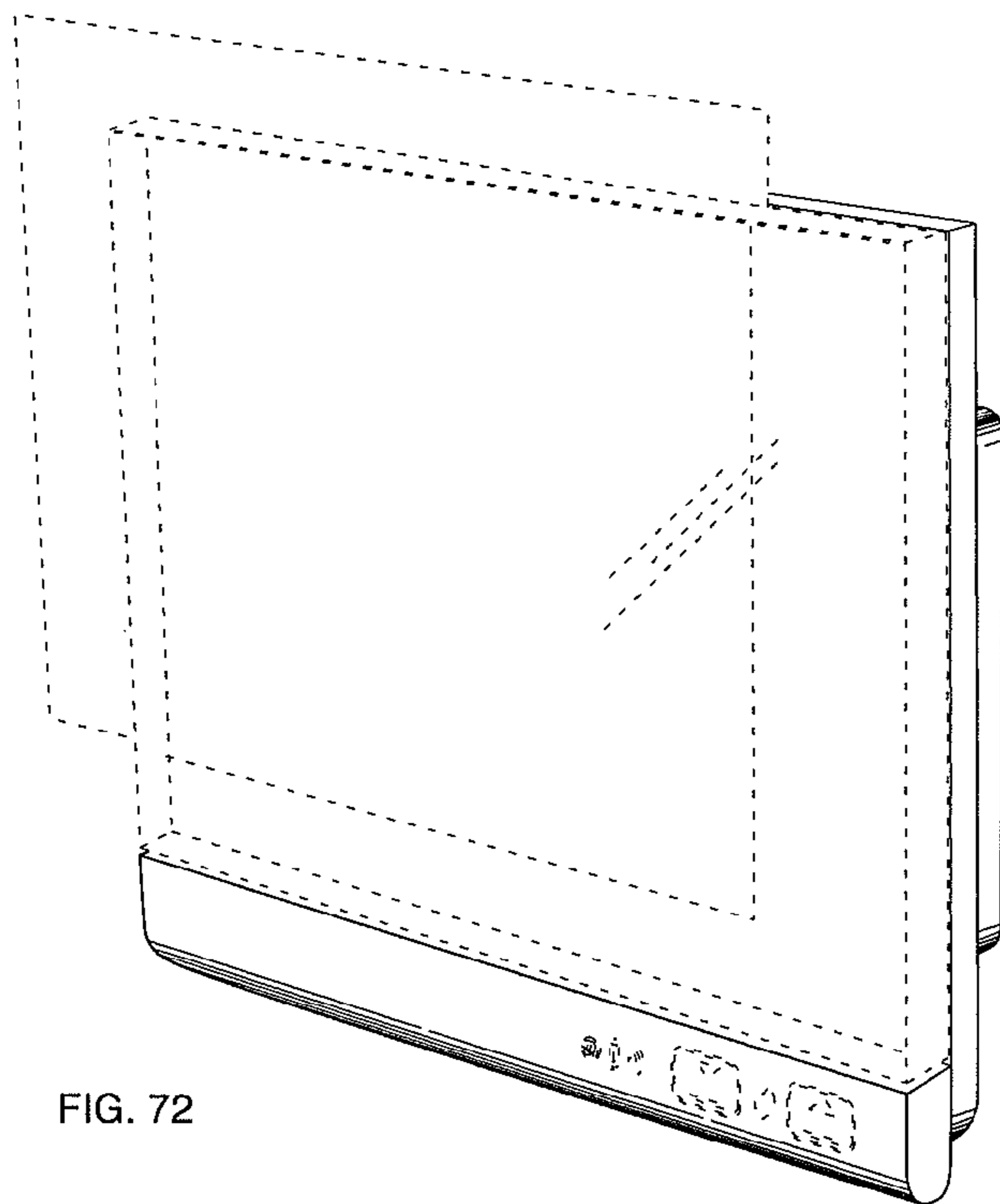


FIG. 72



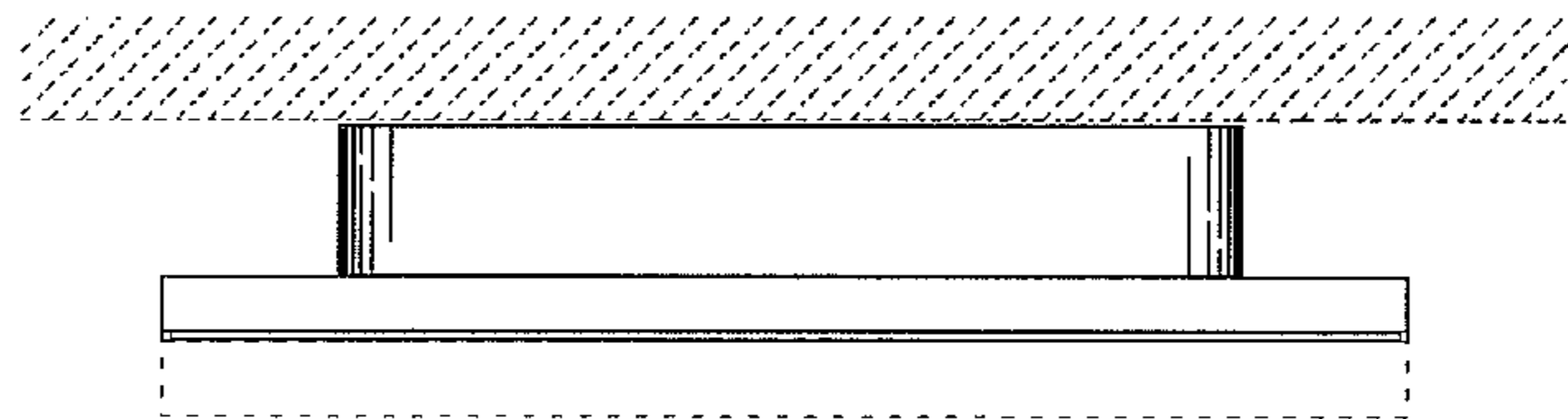


FIG. 73

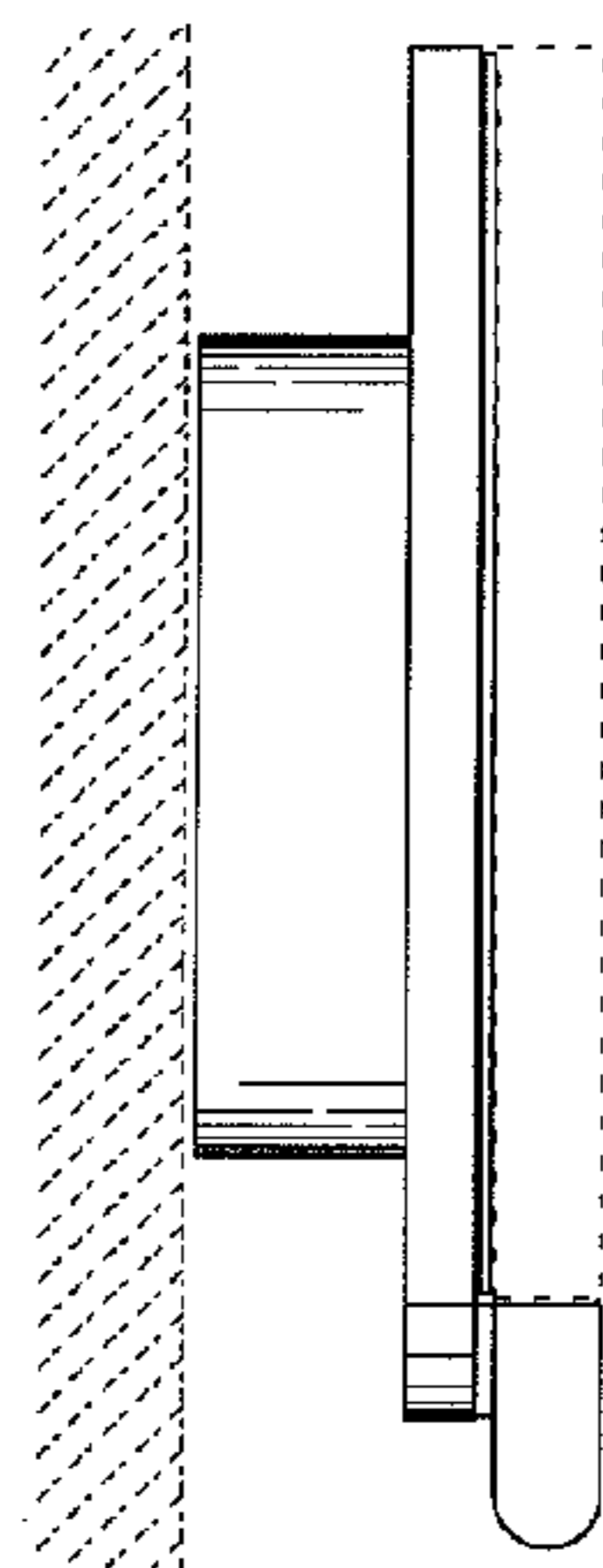


FIG. 74

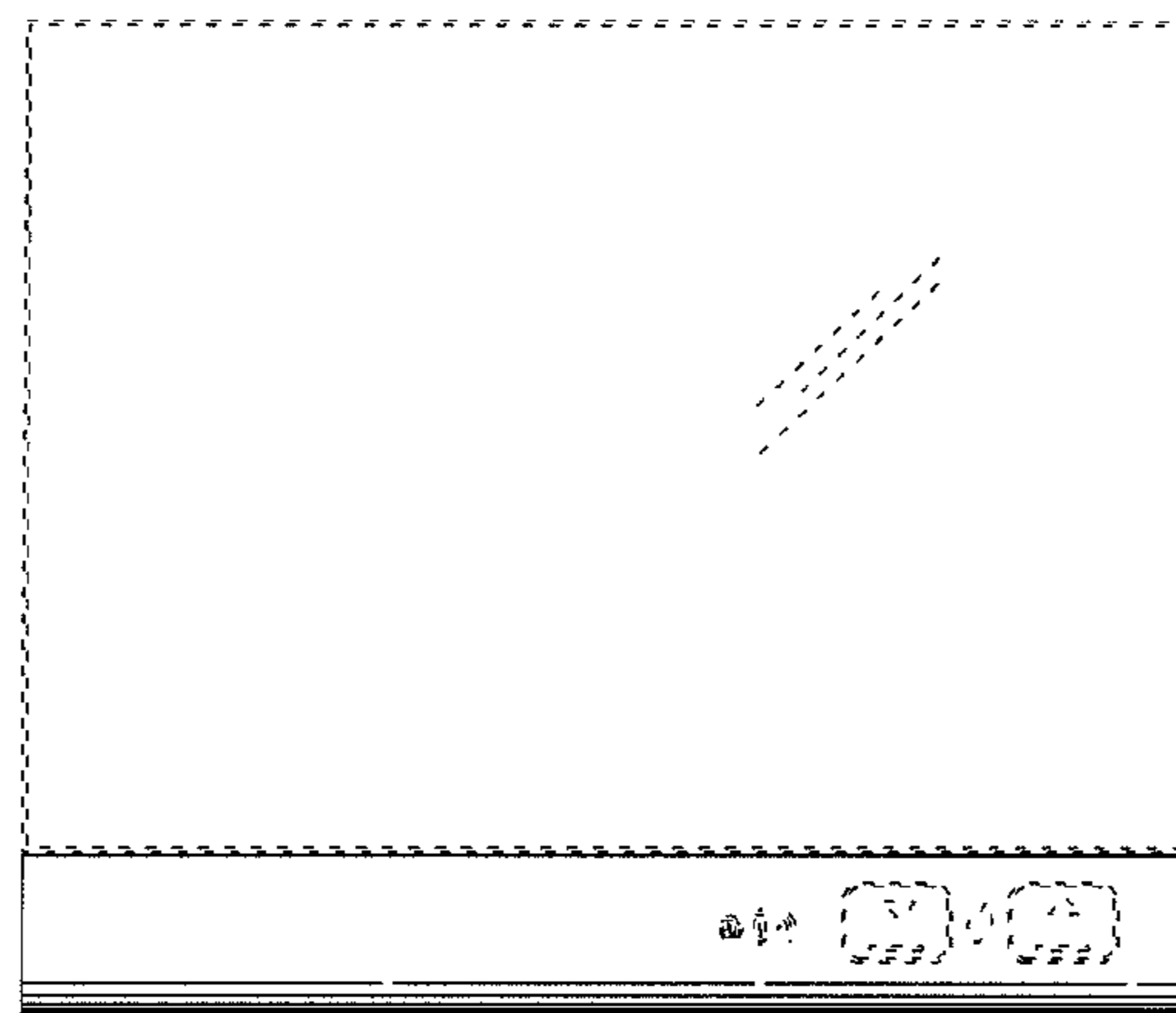


FIG. 75

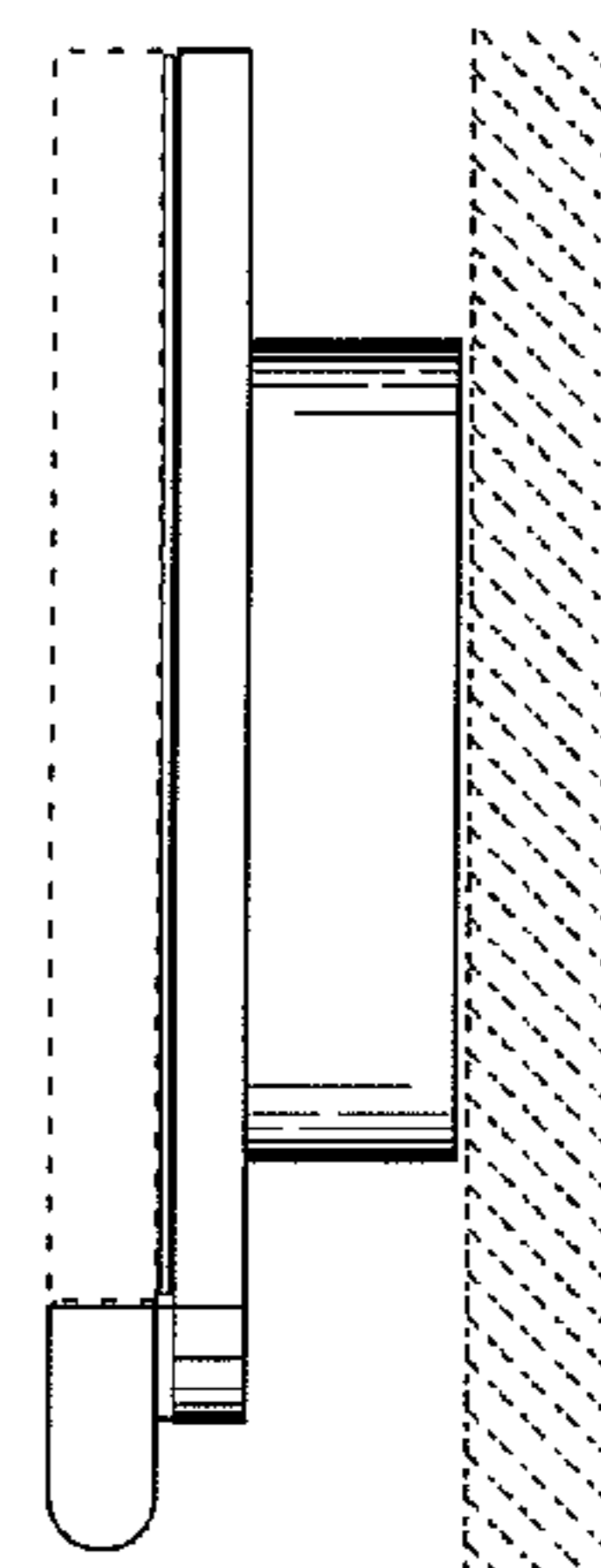


FIG. 76

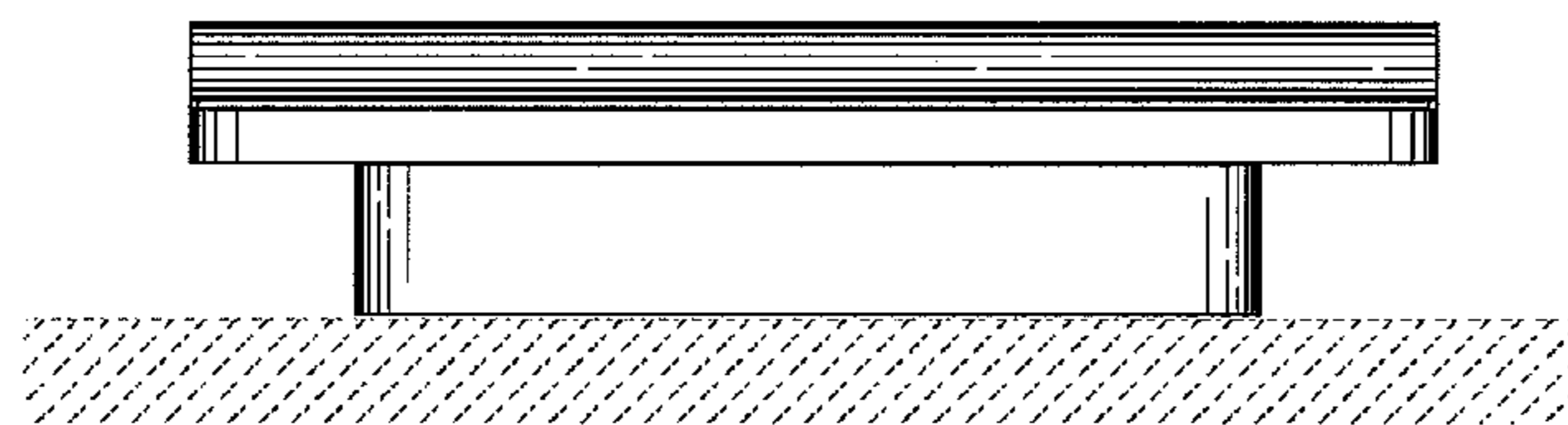


FIG. 77

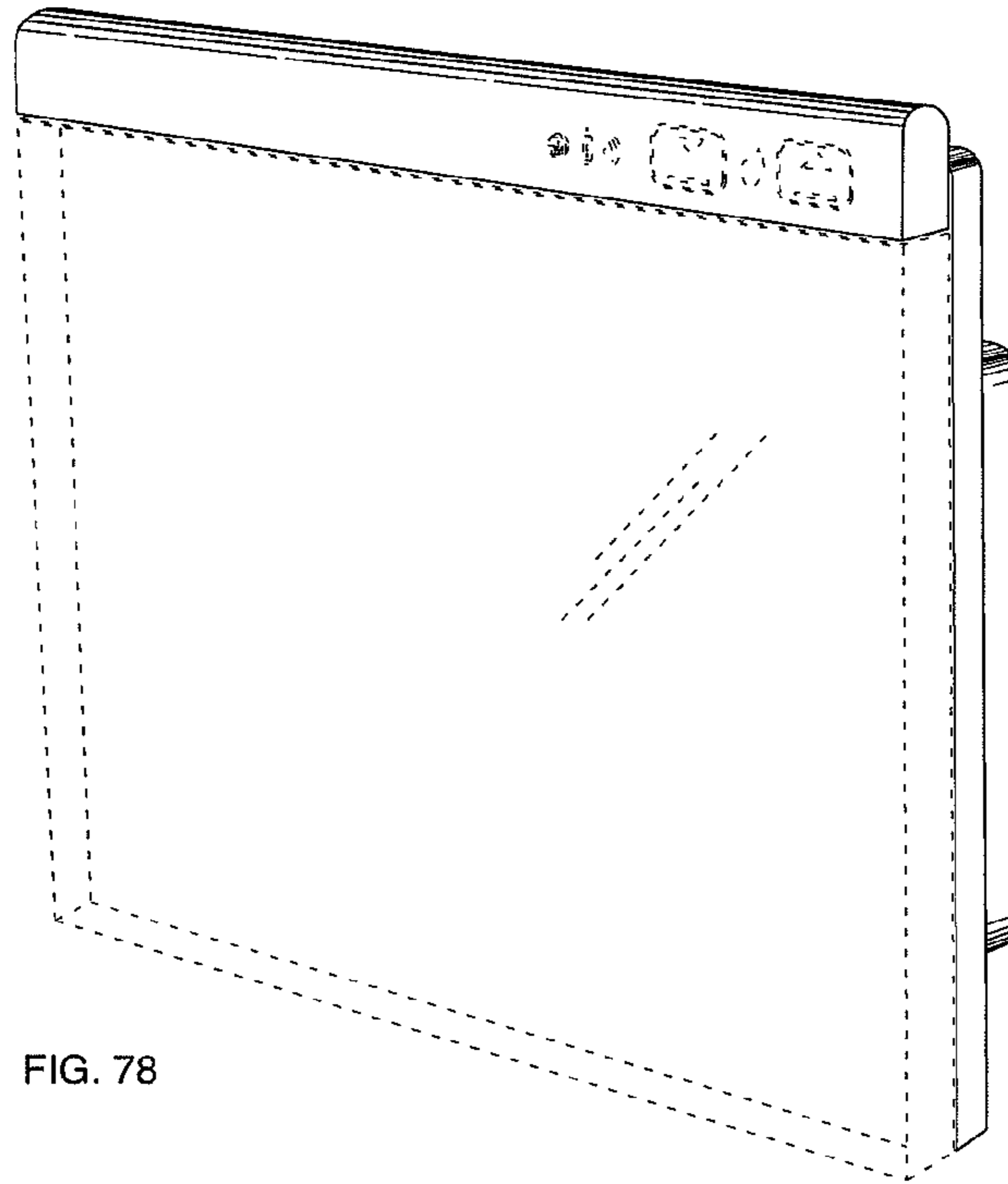


FIG. 78

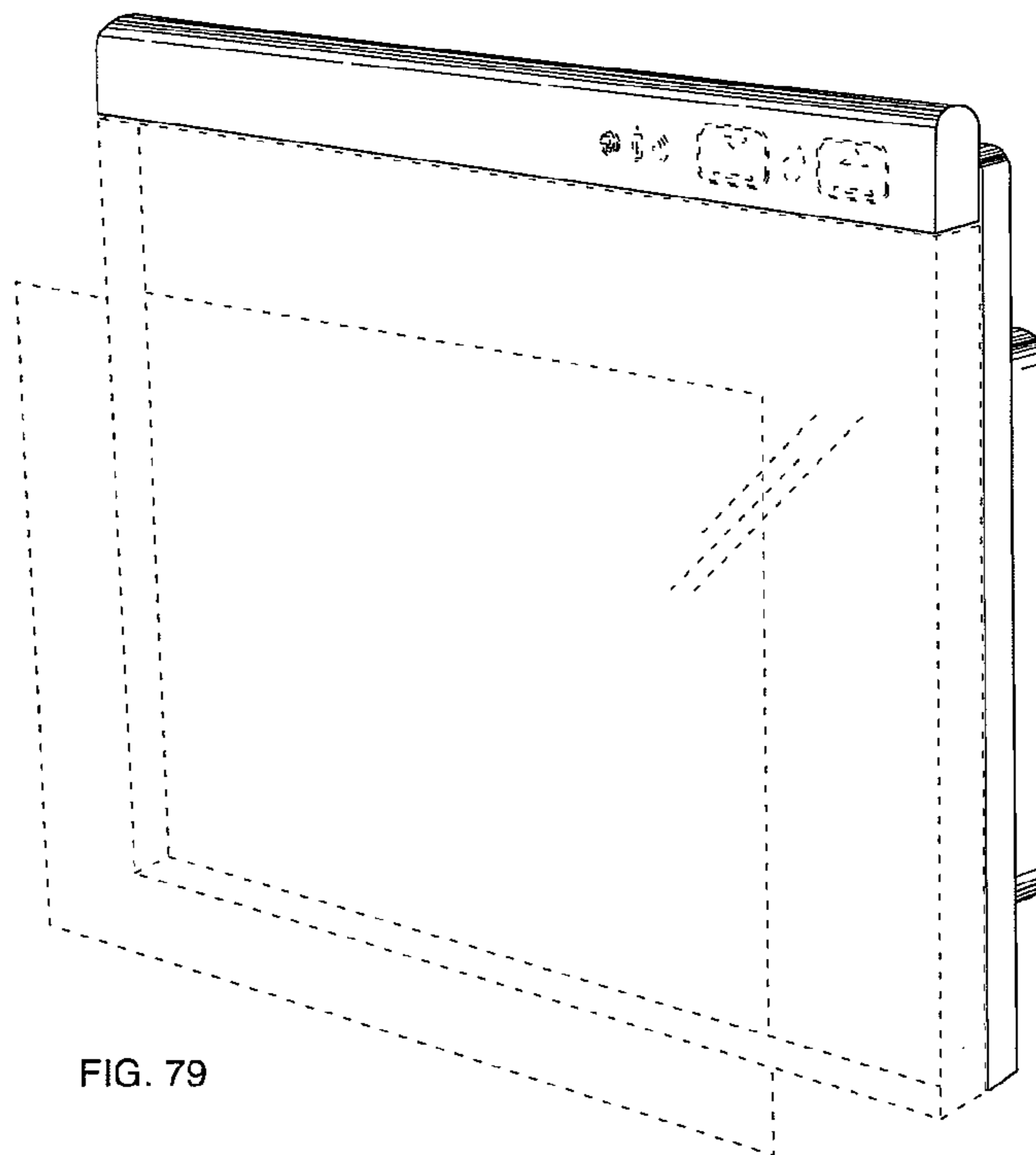


FIG. 79

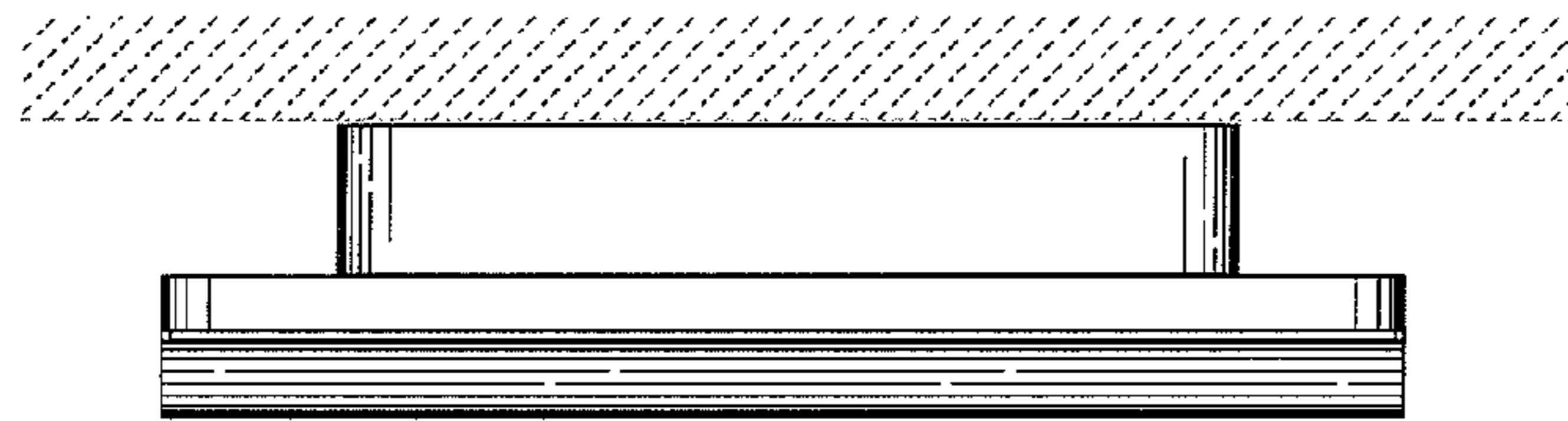


FIG. 80

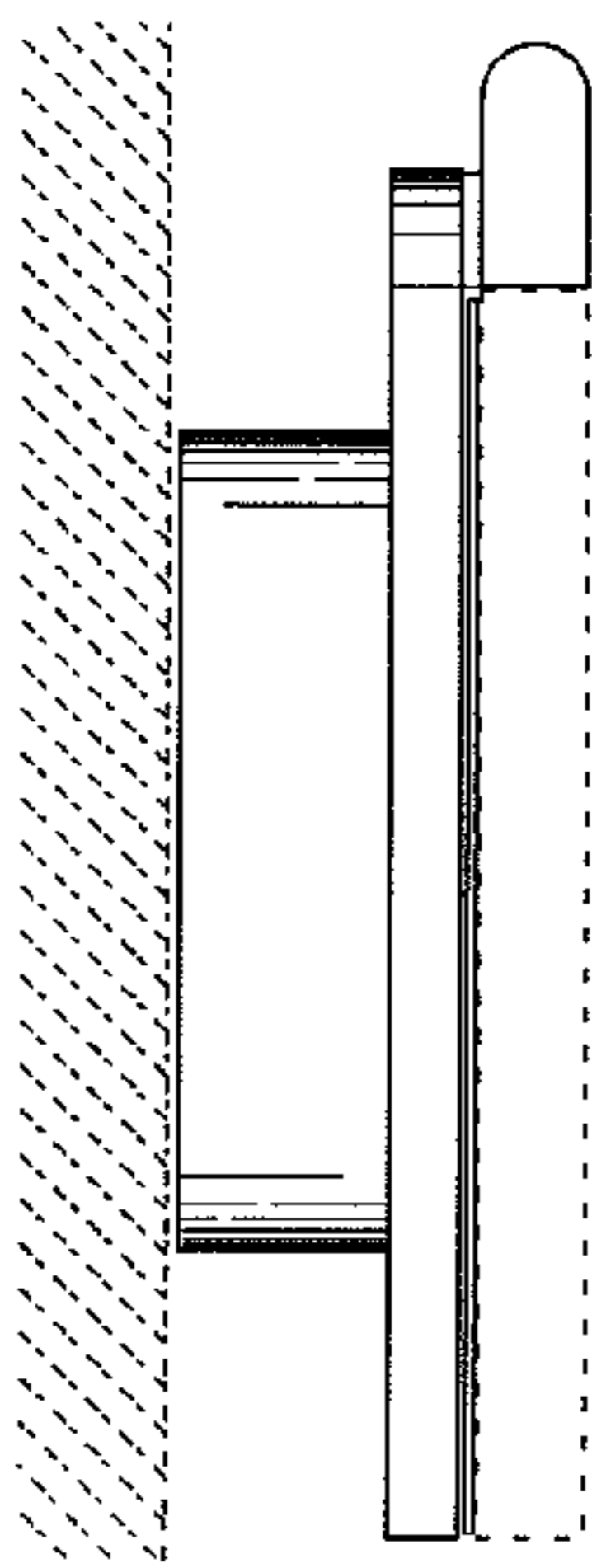


FIG. 81

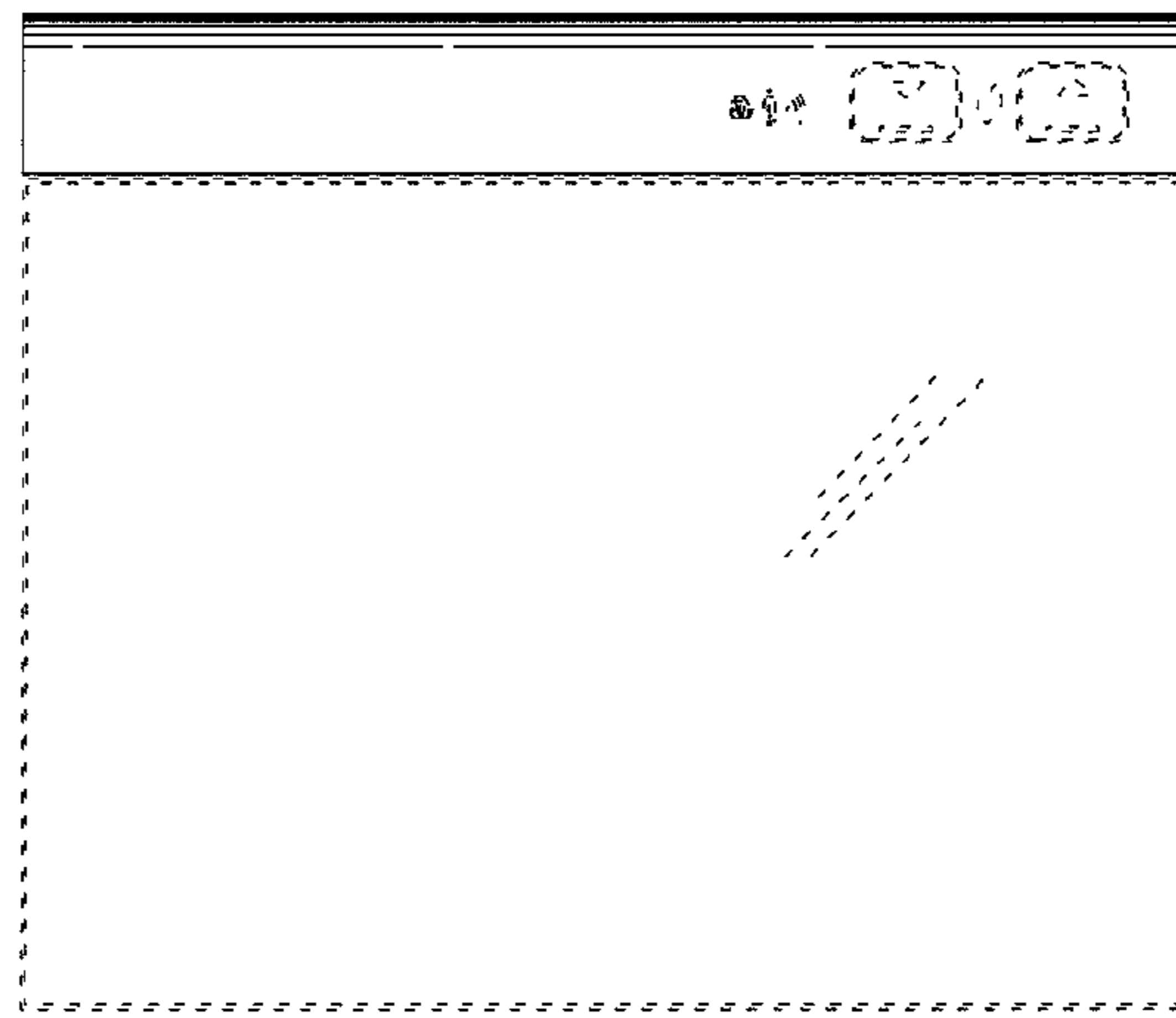


FIG. 82

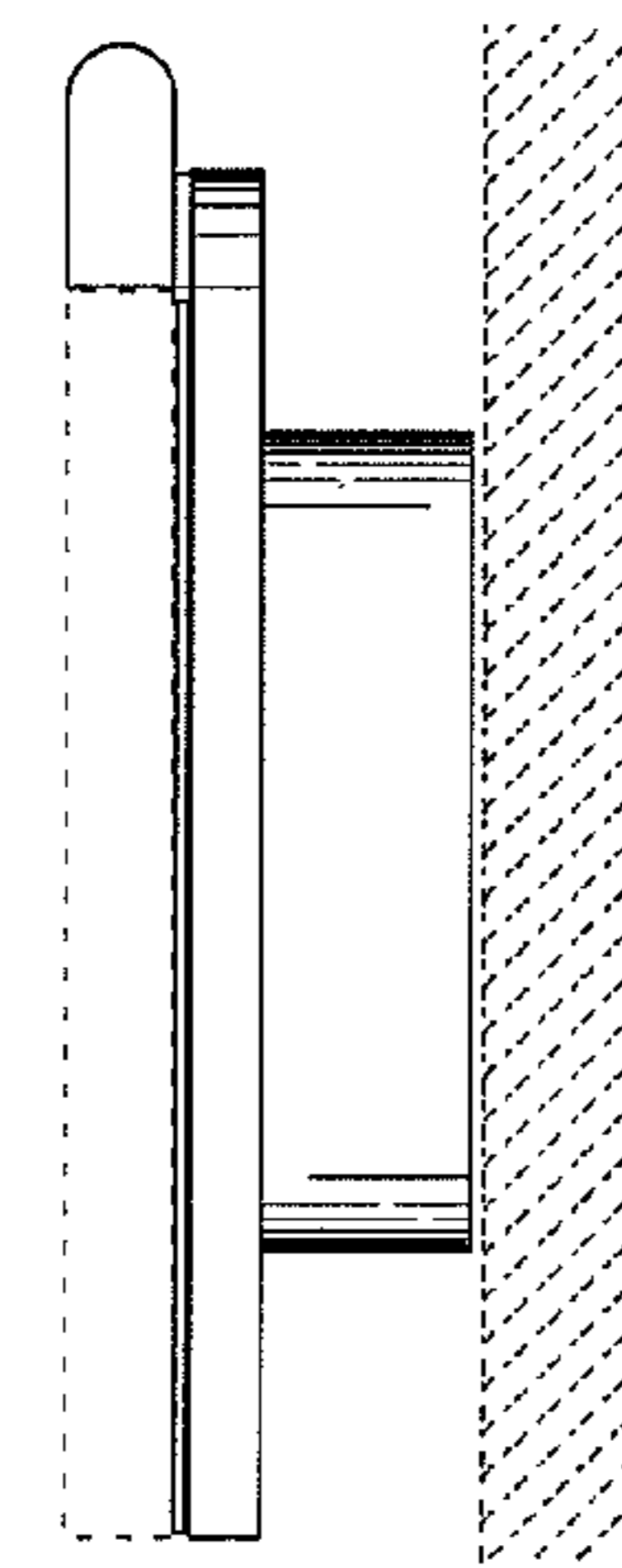


FIG. 83

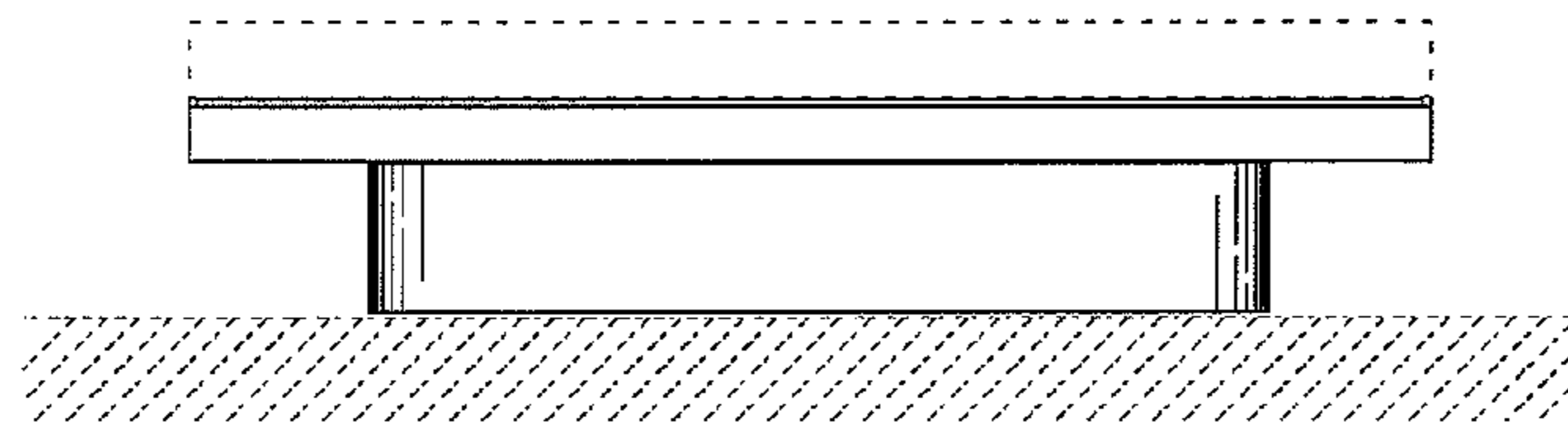


FIG. 84

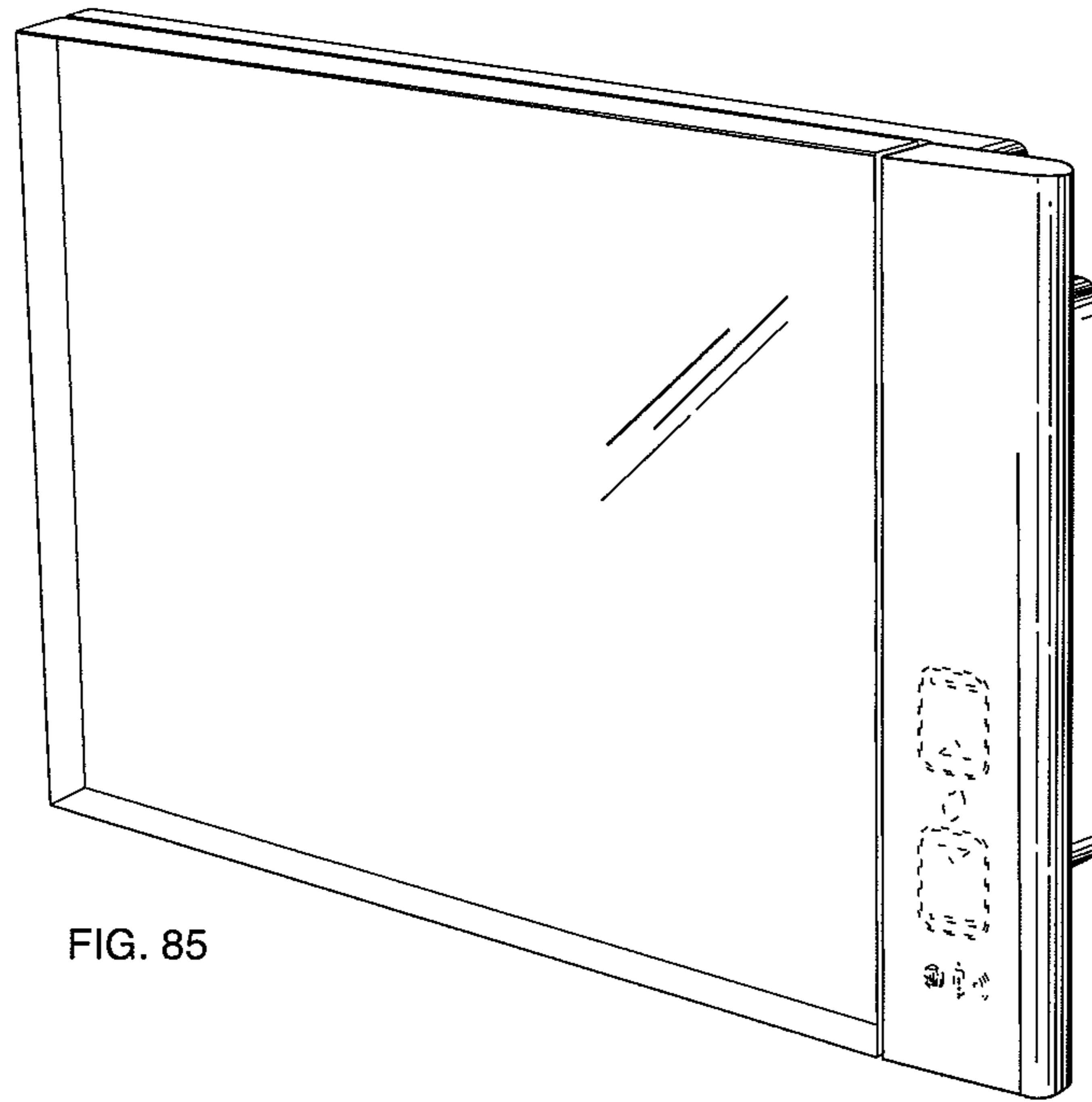


FIG. 85

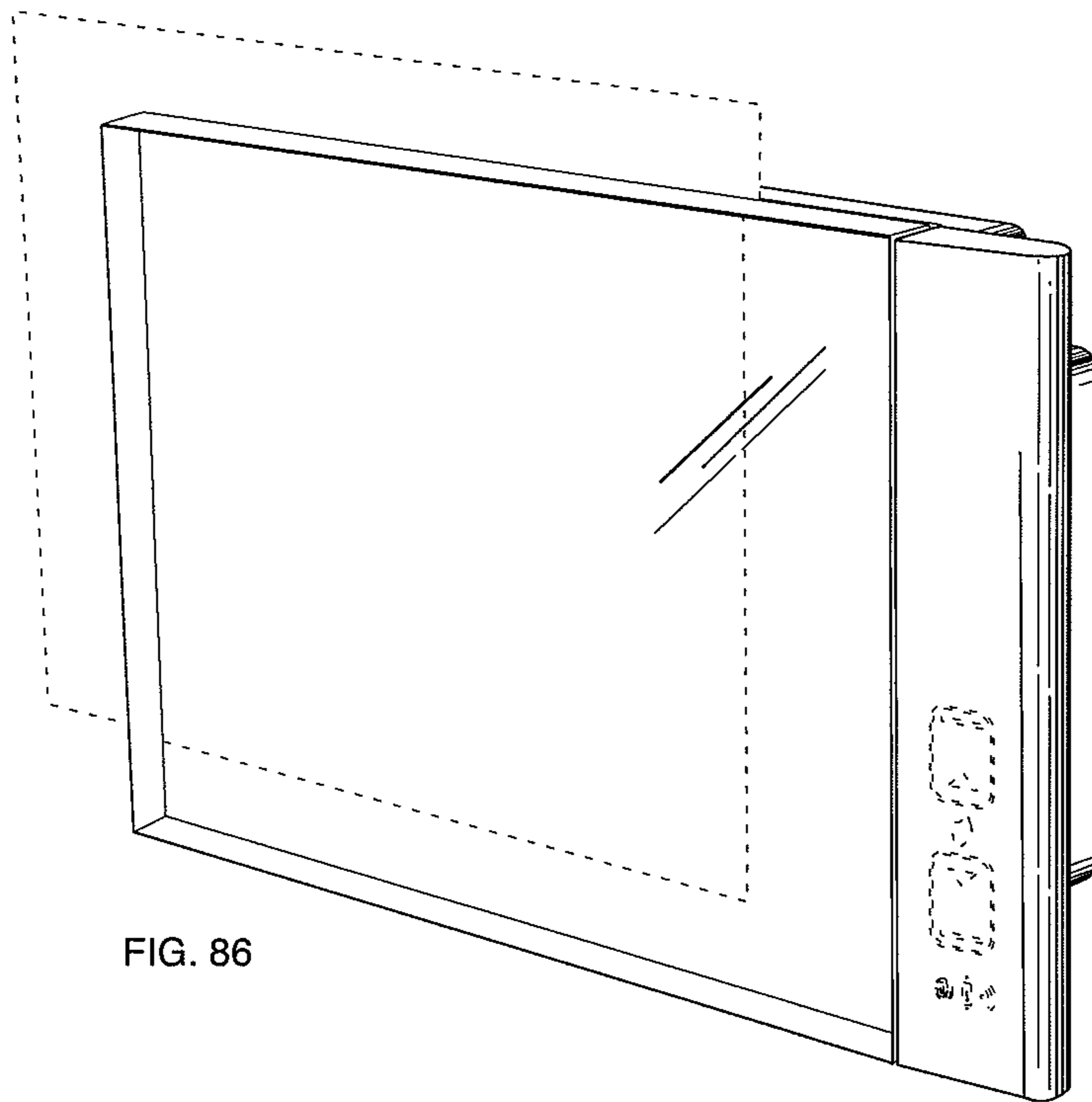


FIG. 86

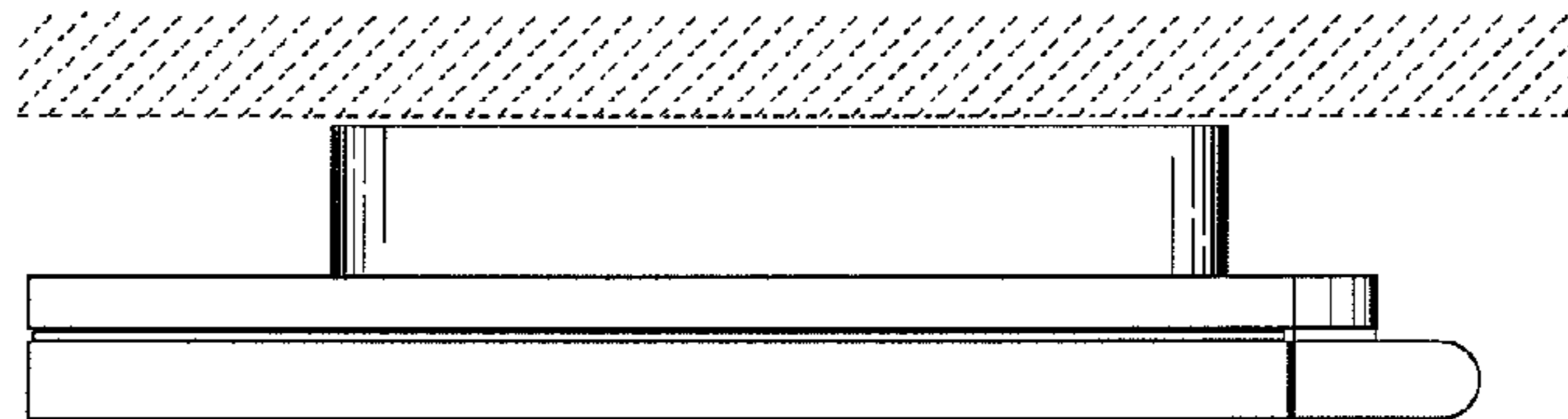


FIG. 87

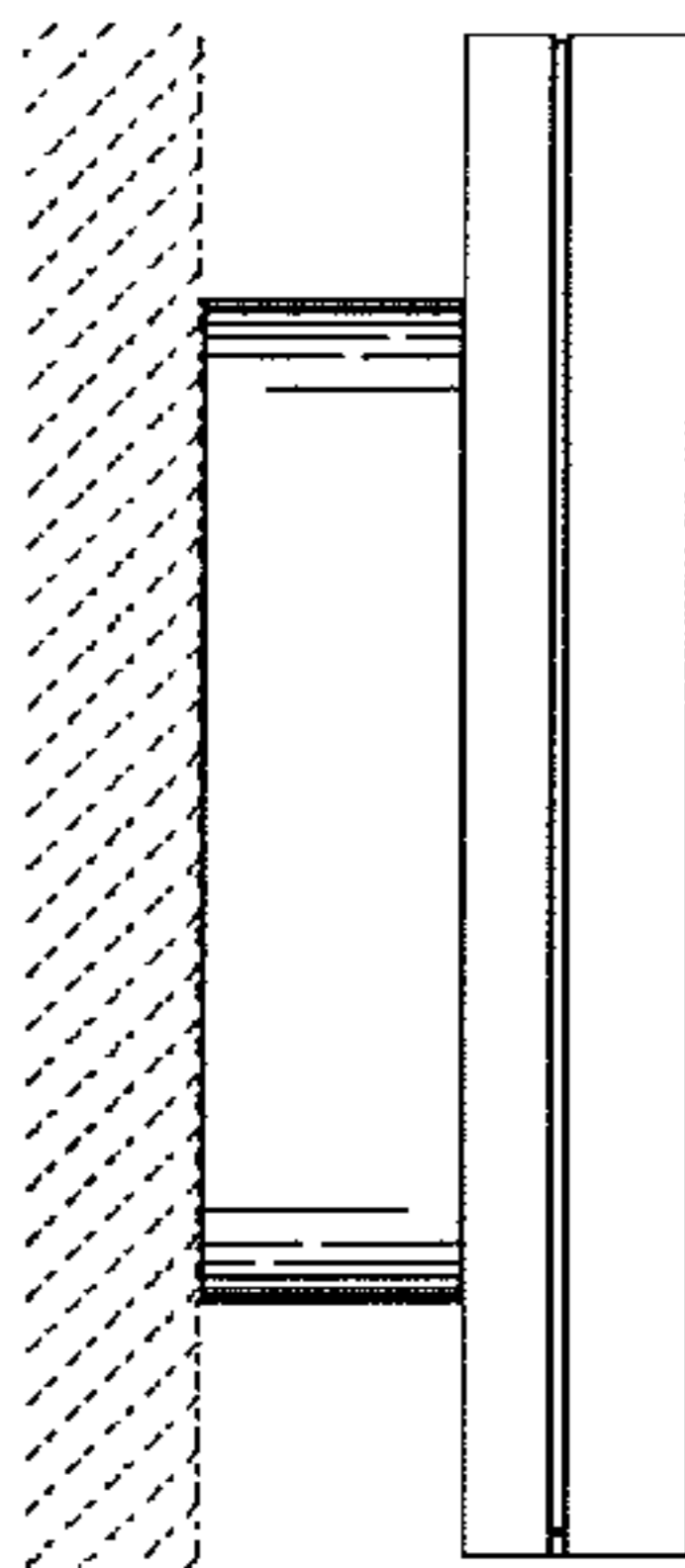


FIG. 88

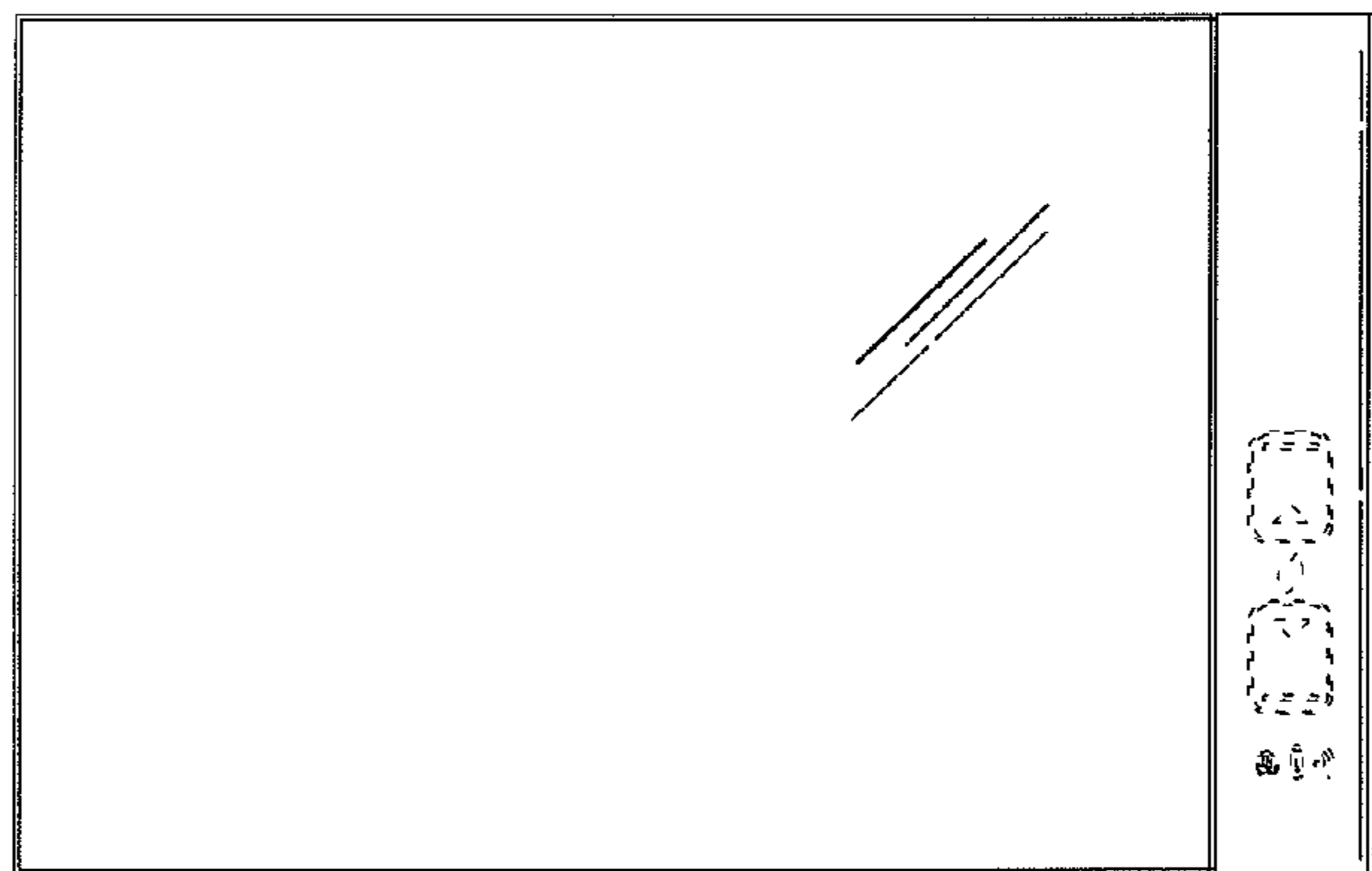


FIG. 89

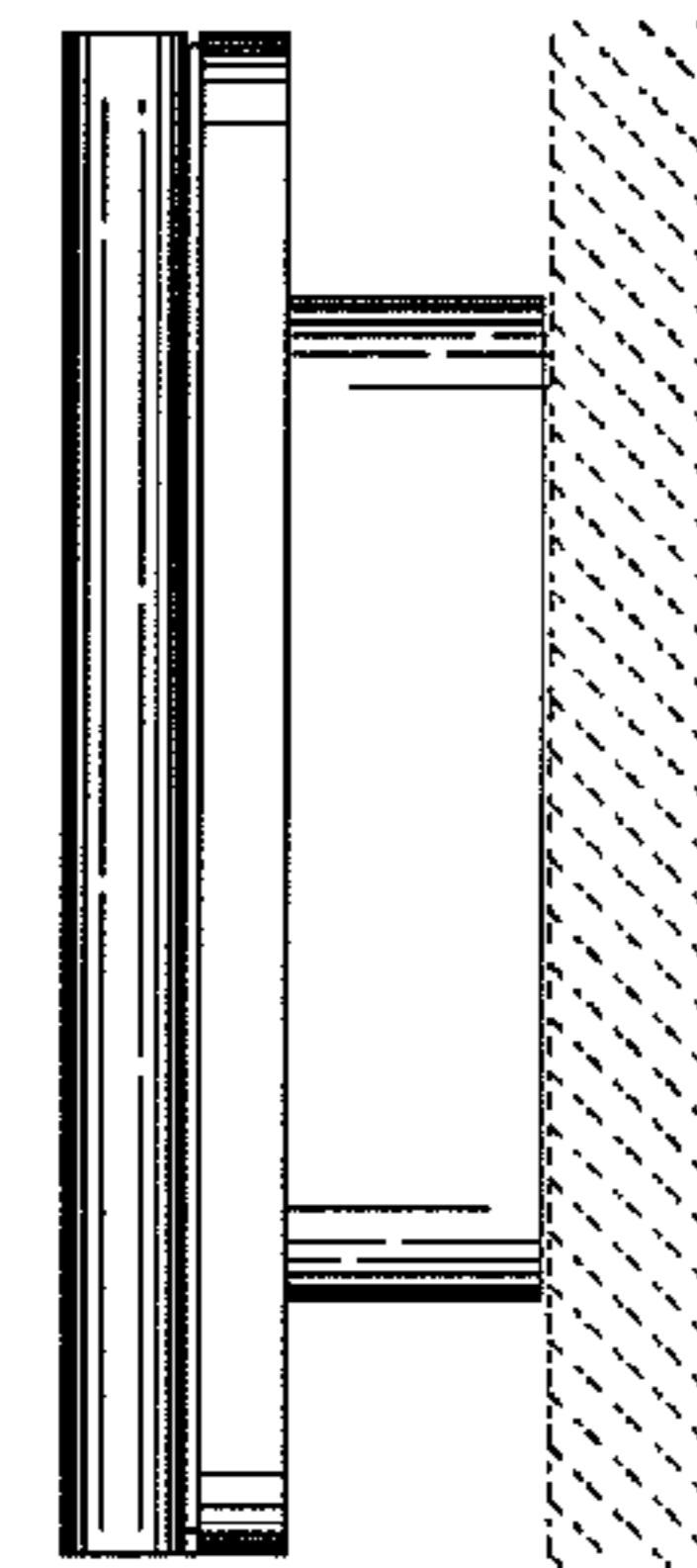


FIG. 90

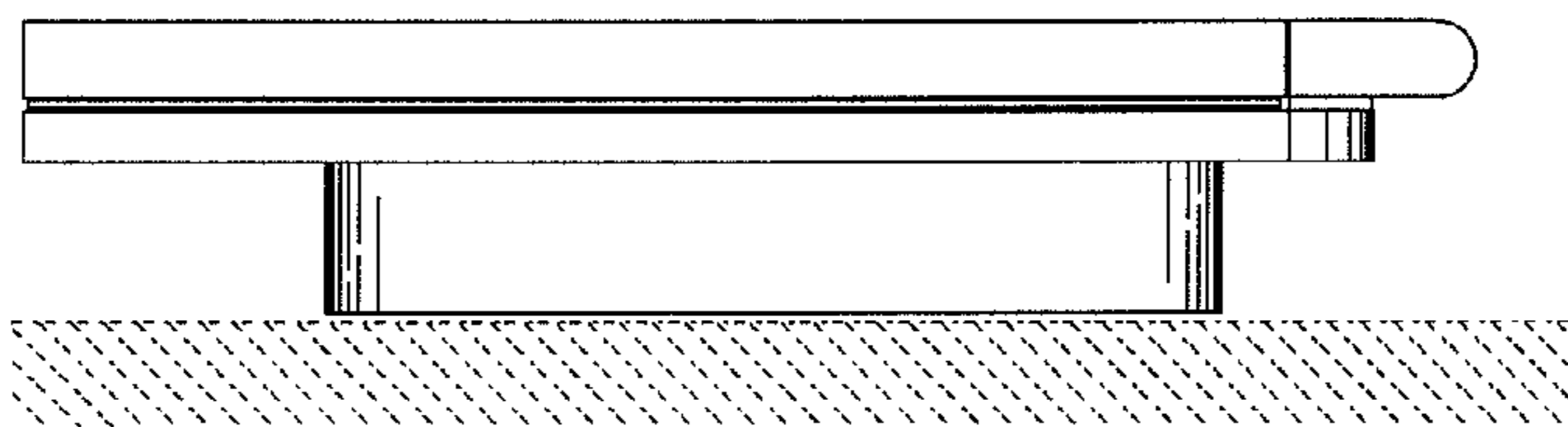


FIG. 91

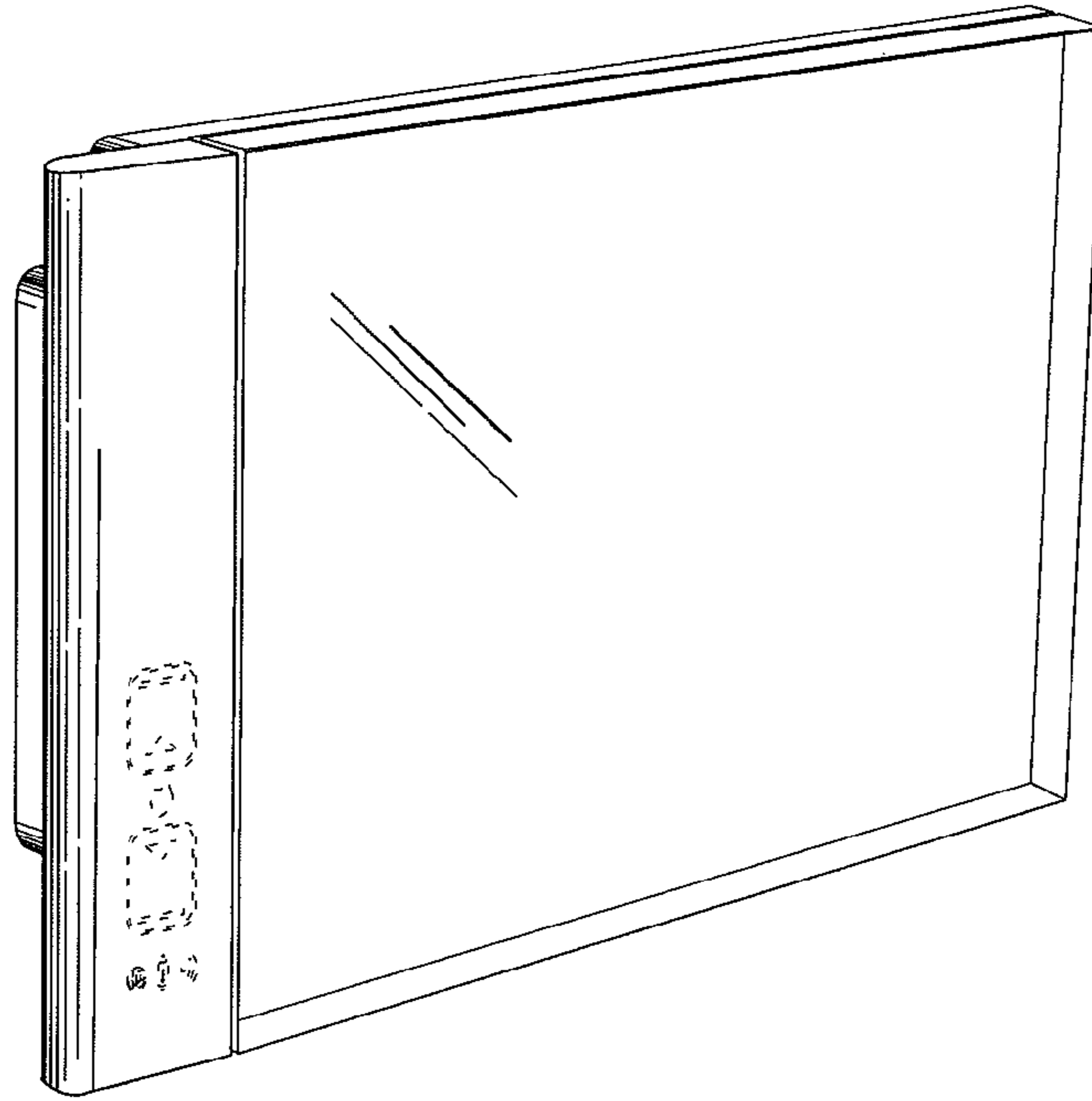


FIG. 92

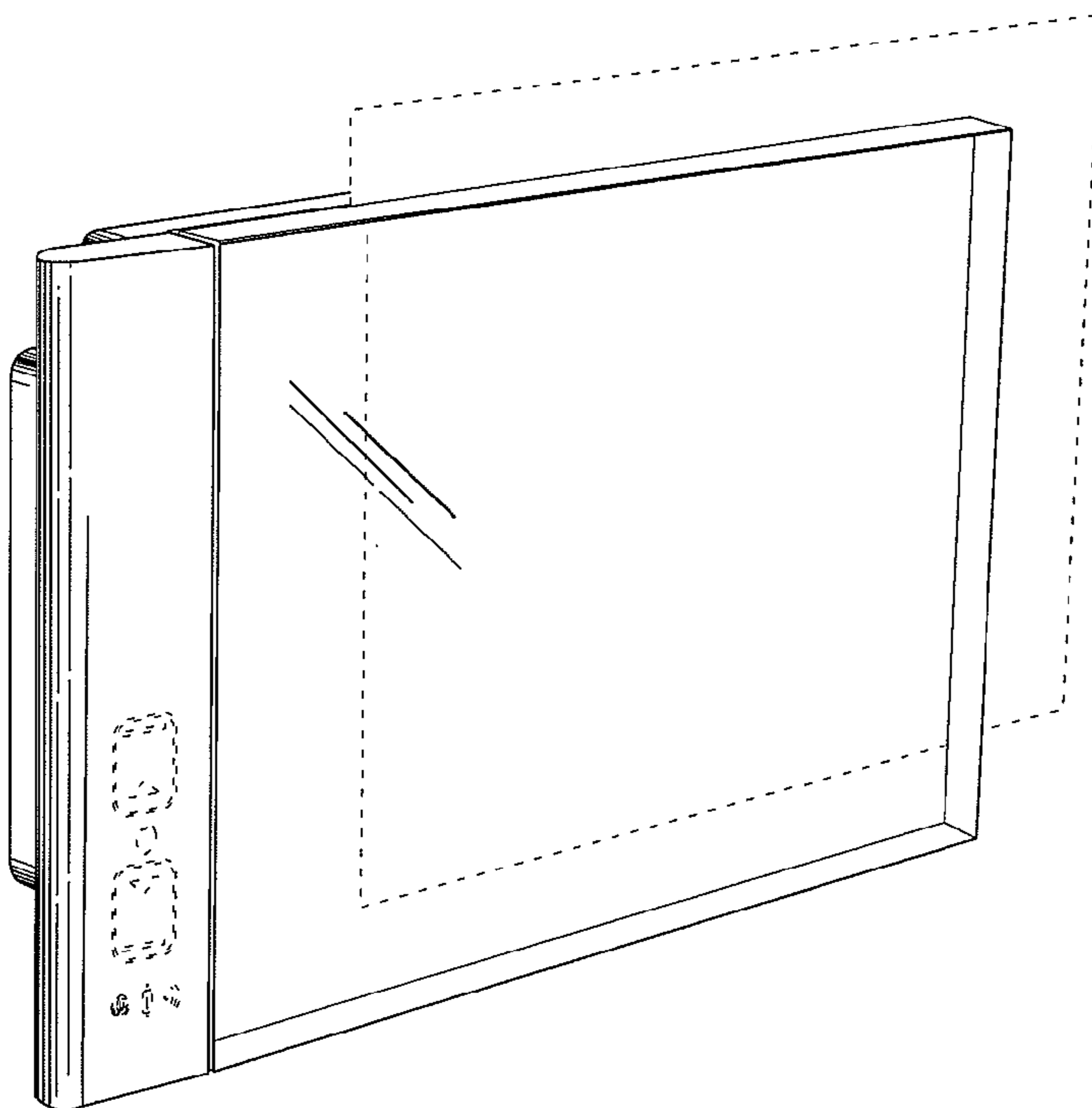


FIG. 93

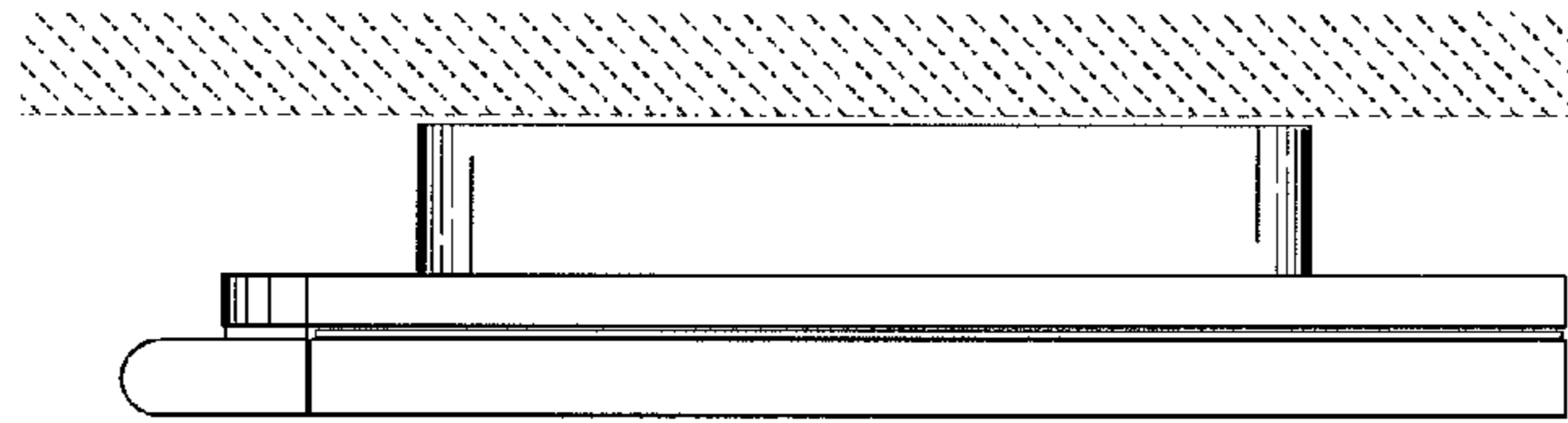


FIG. 94

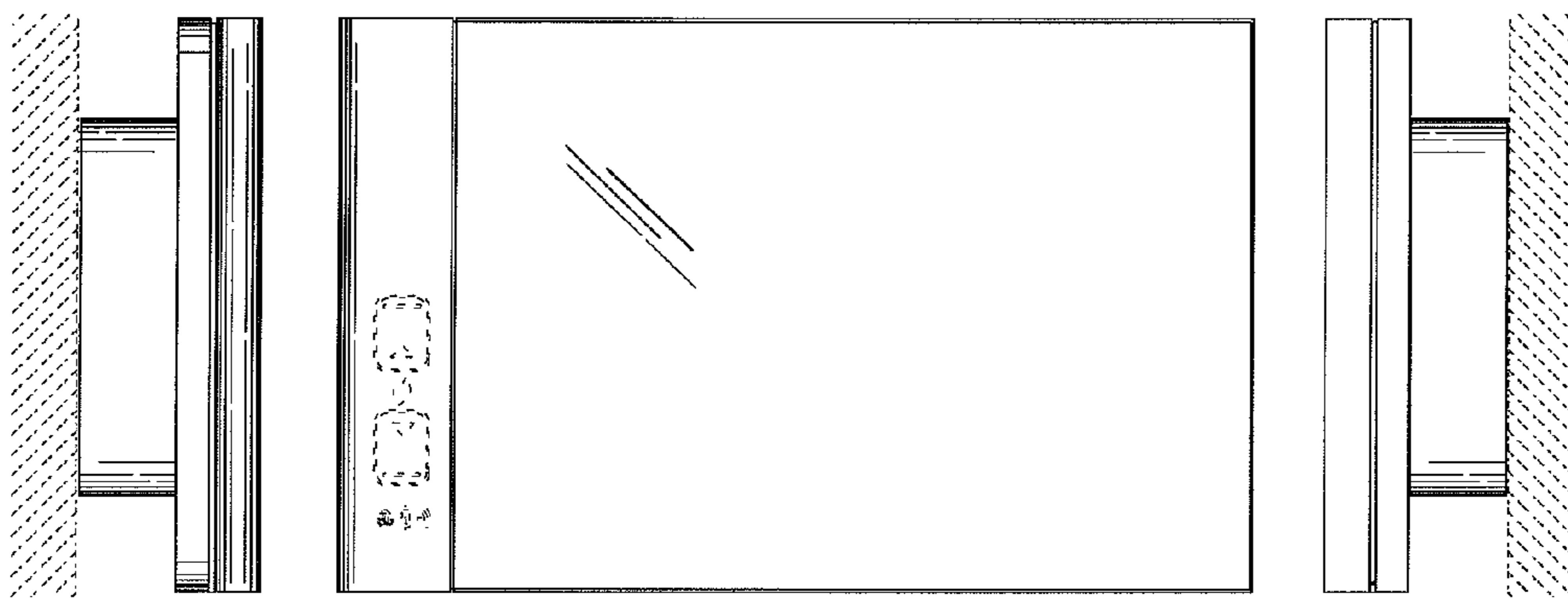


FIG. 95

FIG. 96

FIG. 97

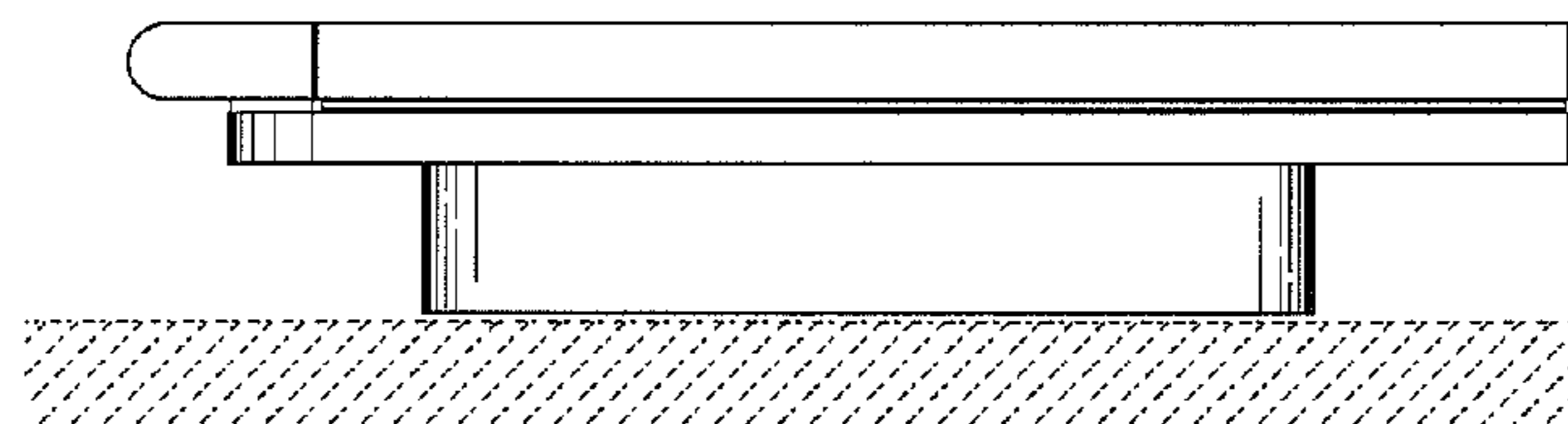


FIG. 98

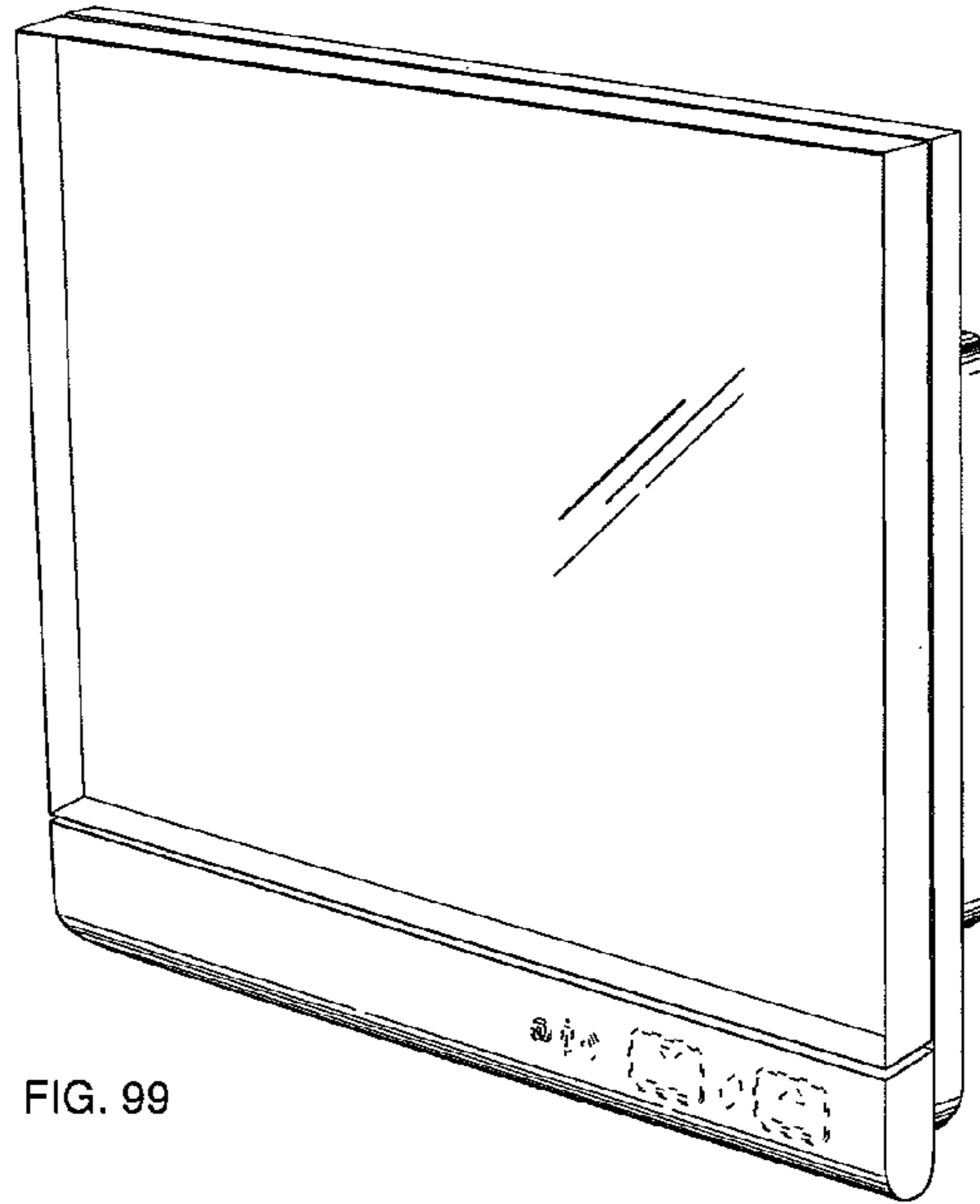


FIG. 99

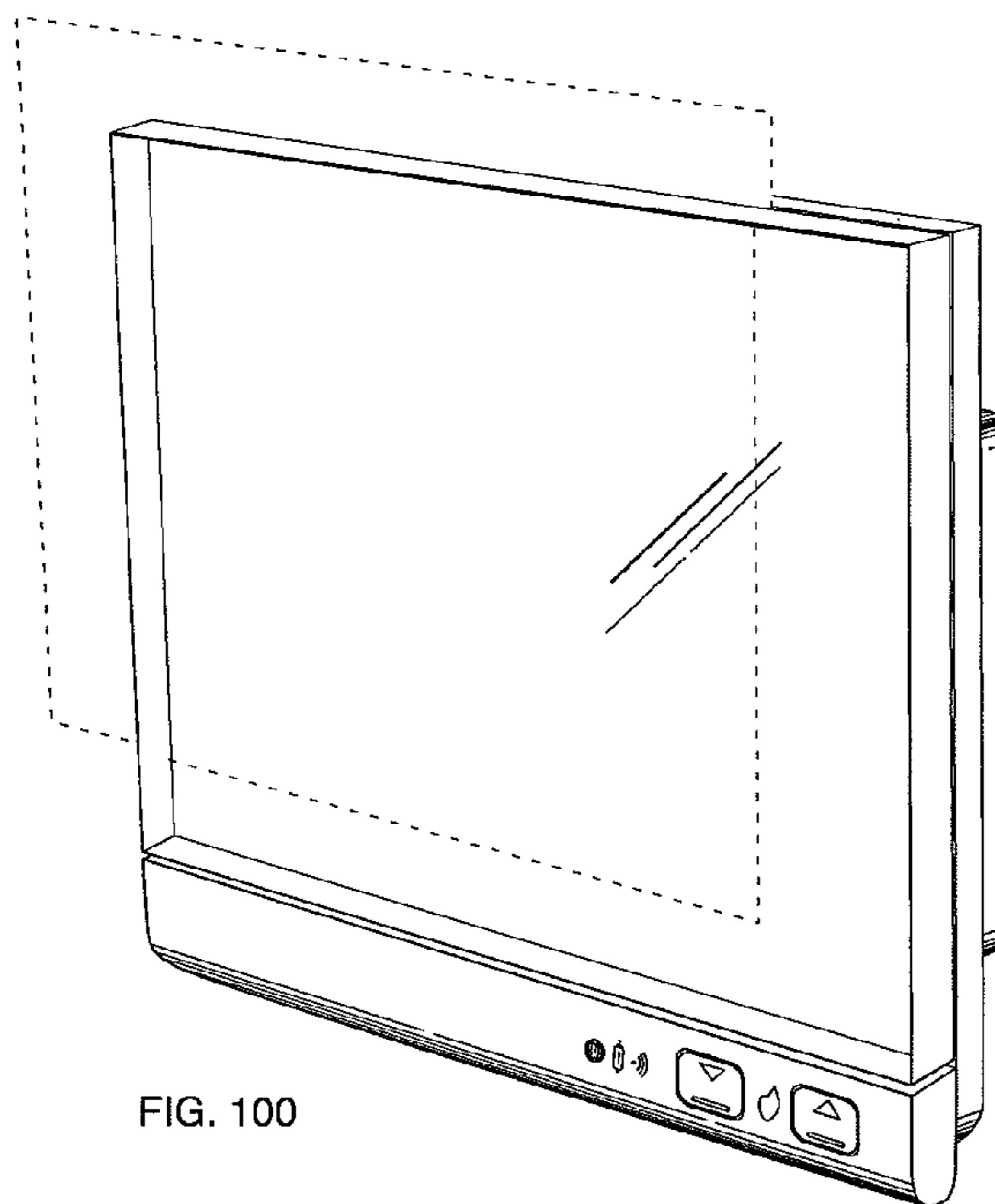


FIG. 100



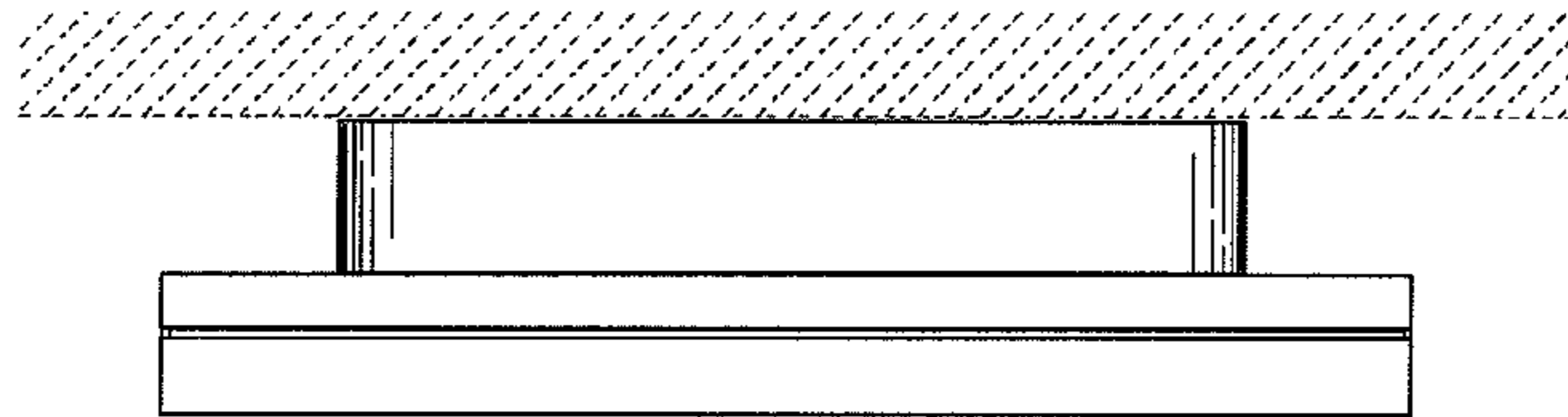


FIG. 101

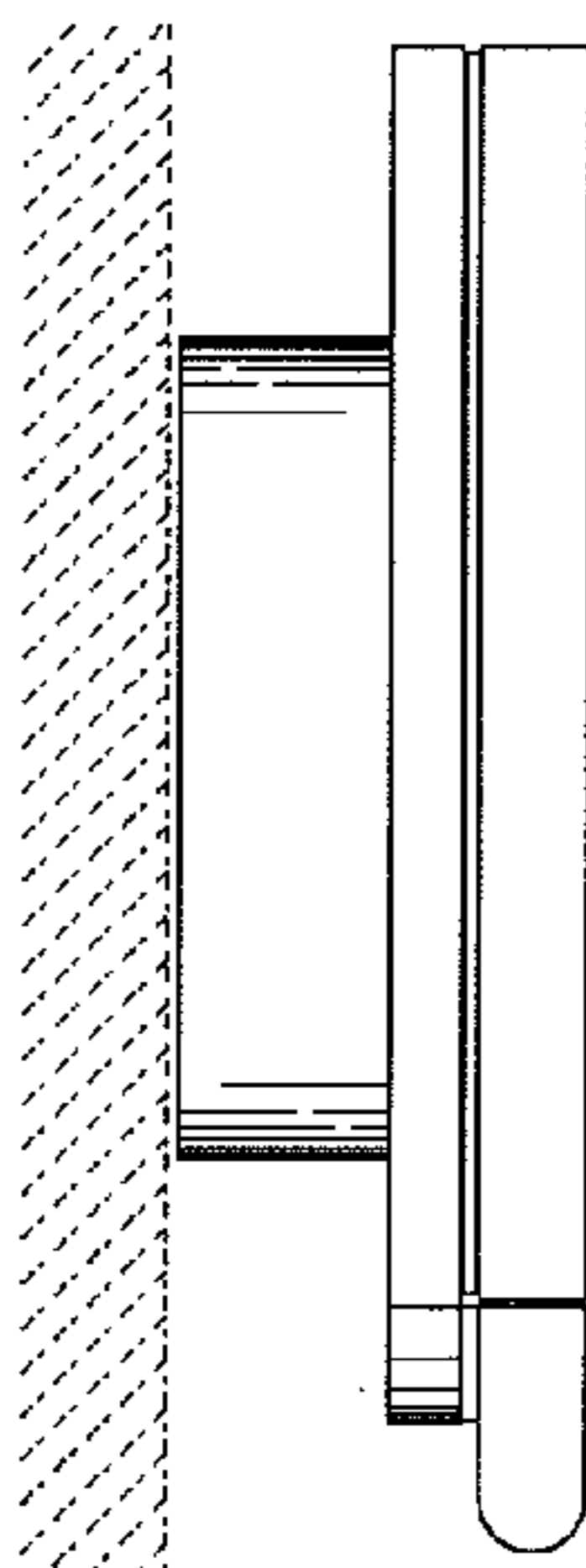


FIG. 102

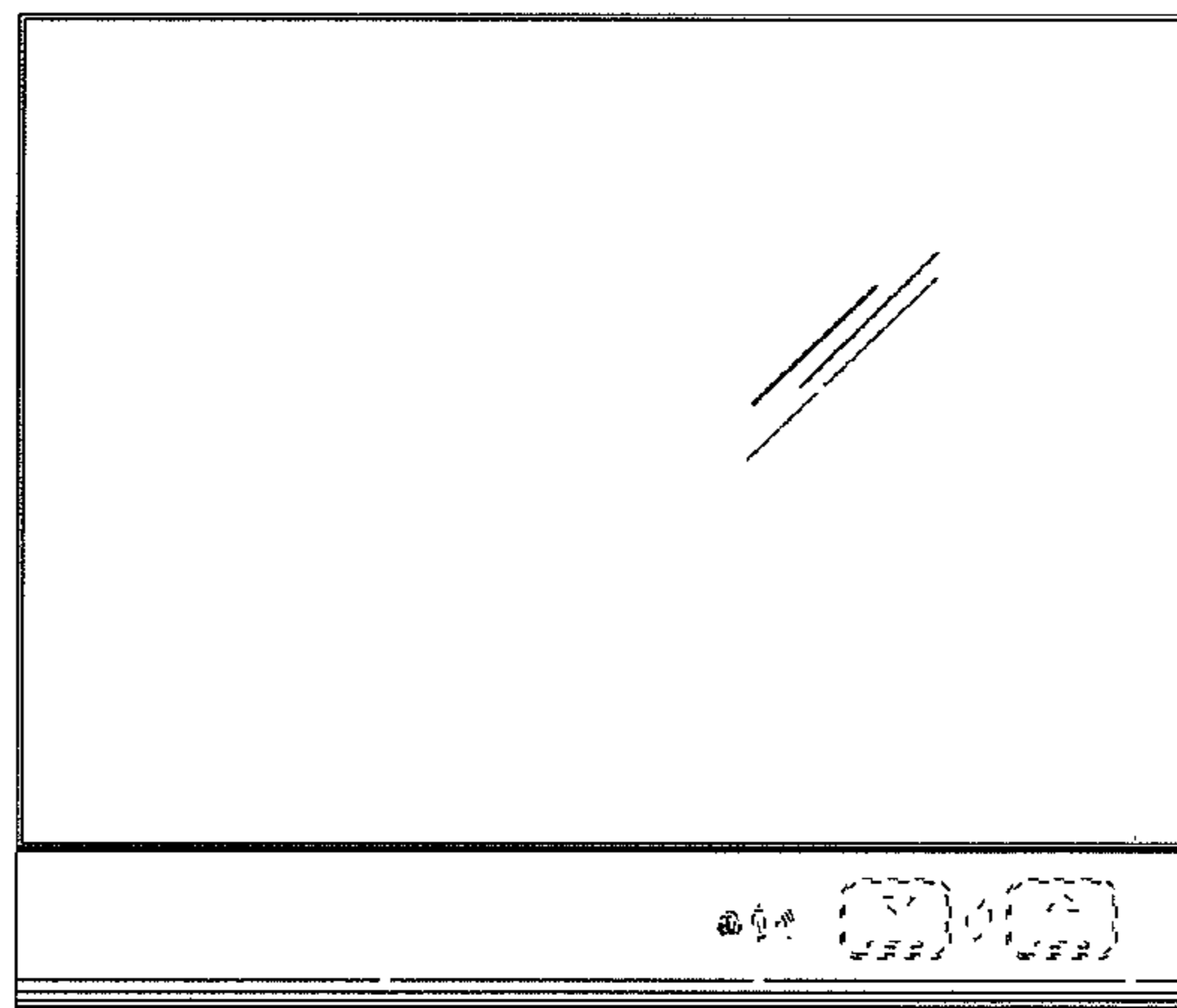


FIG. 103

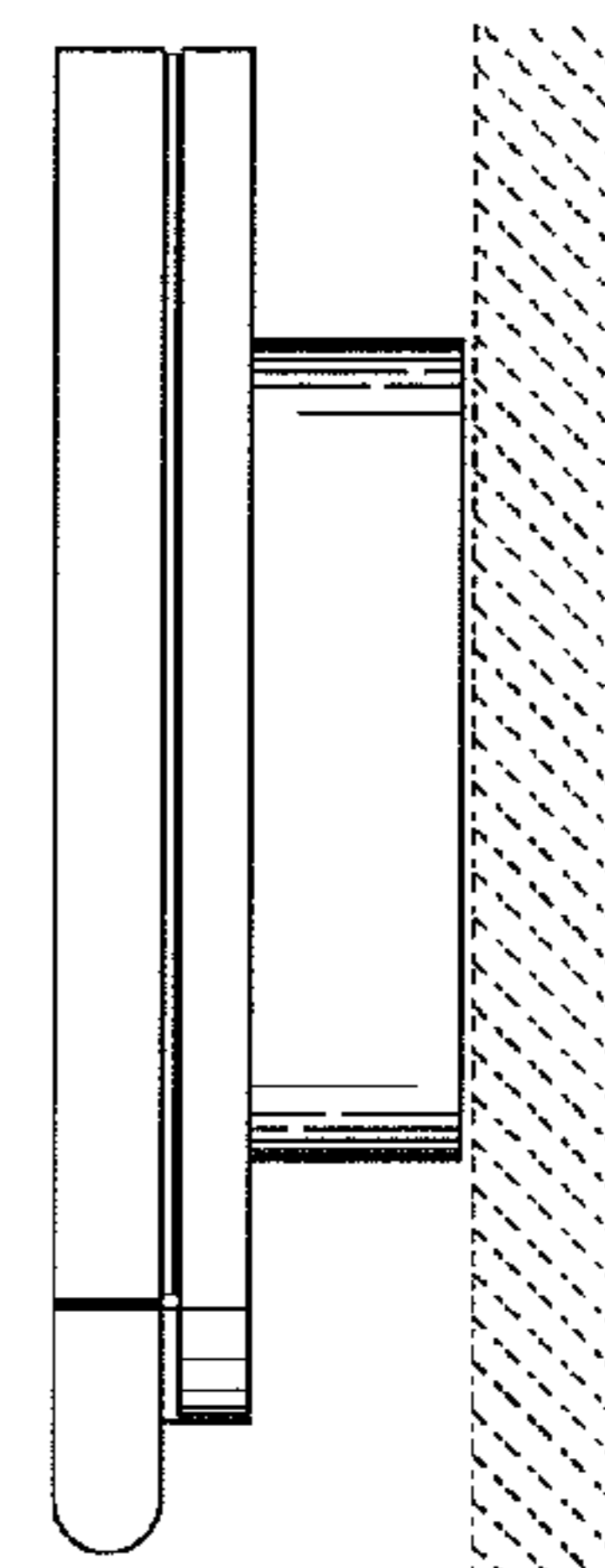


FIG. 104

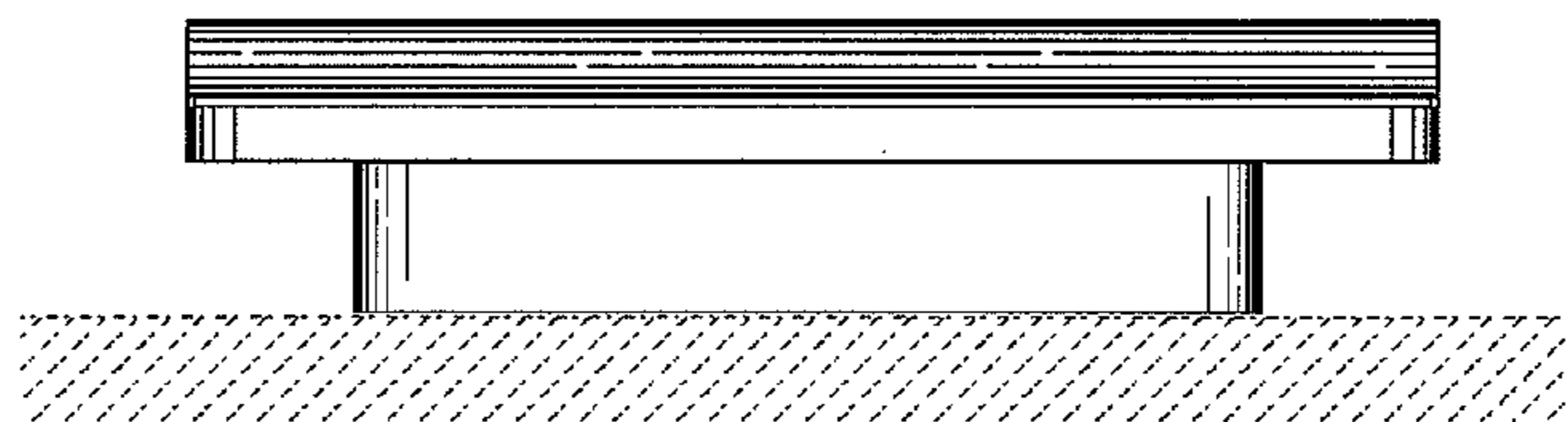


FIG. 105

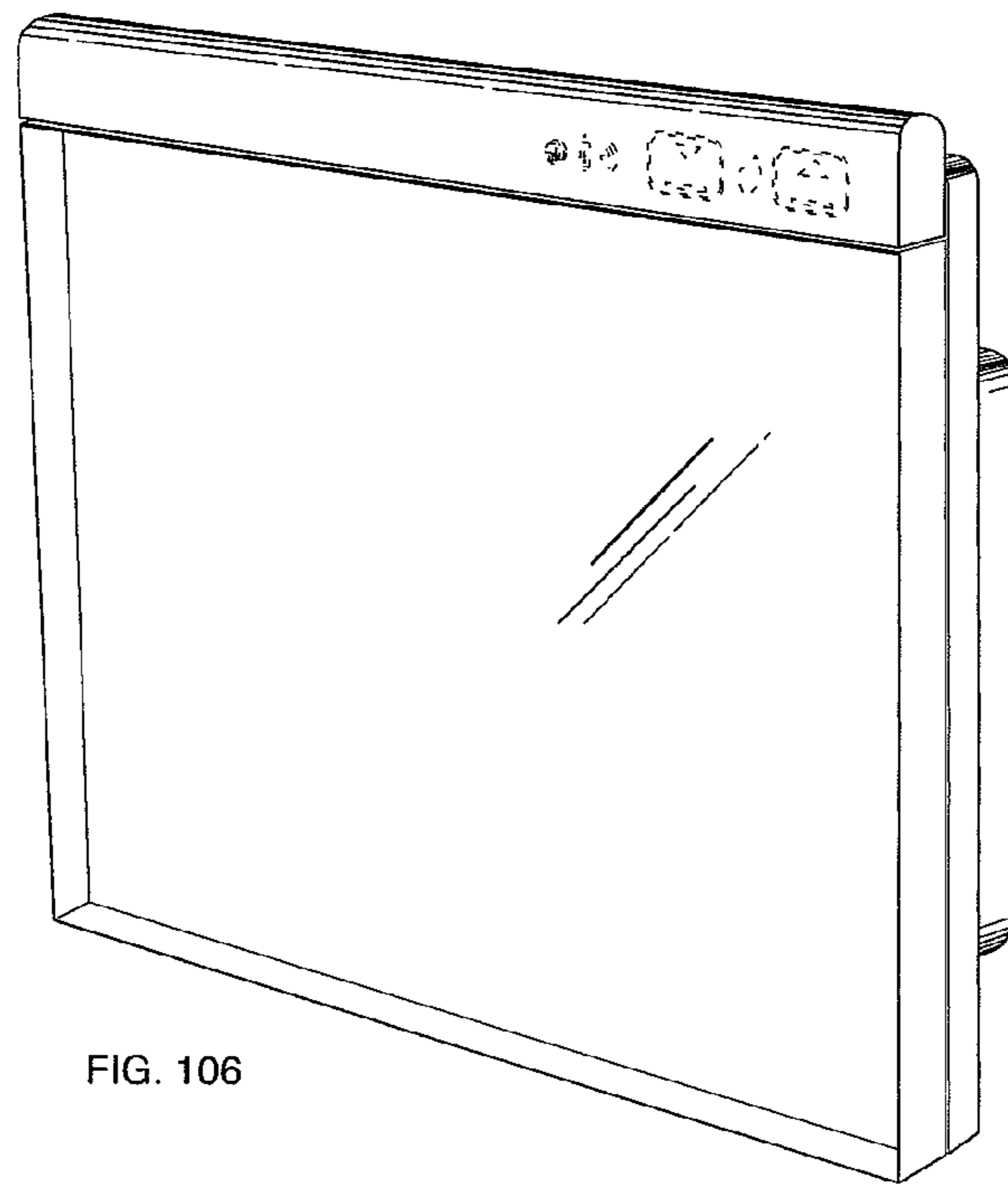


FIG. 106

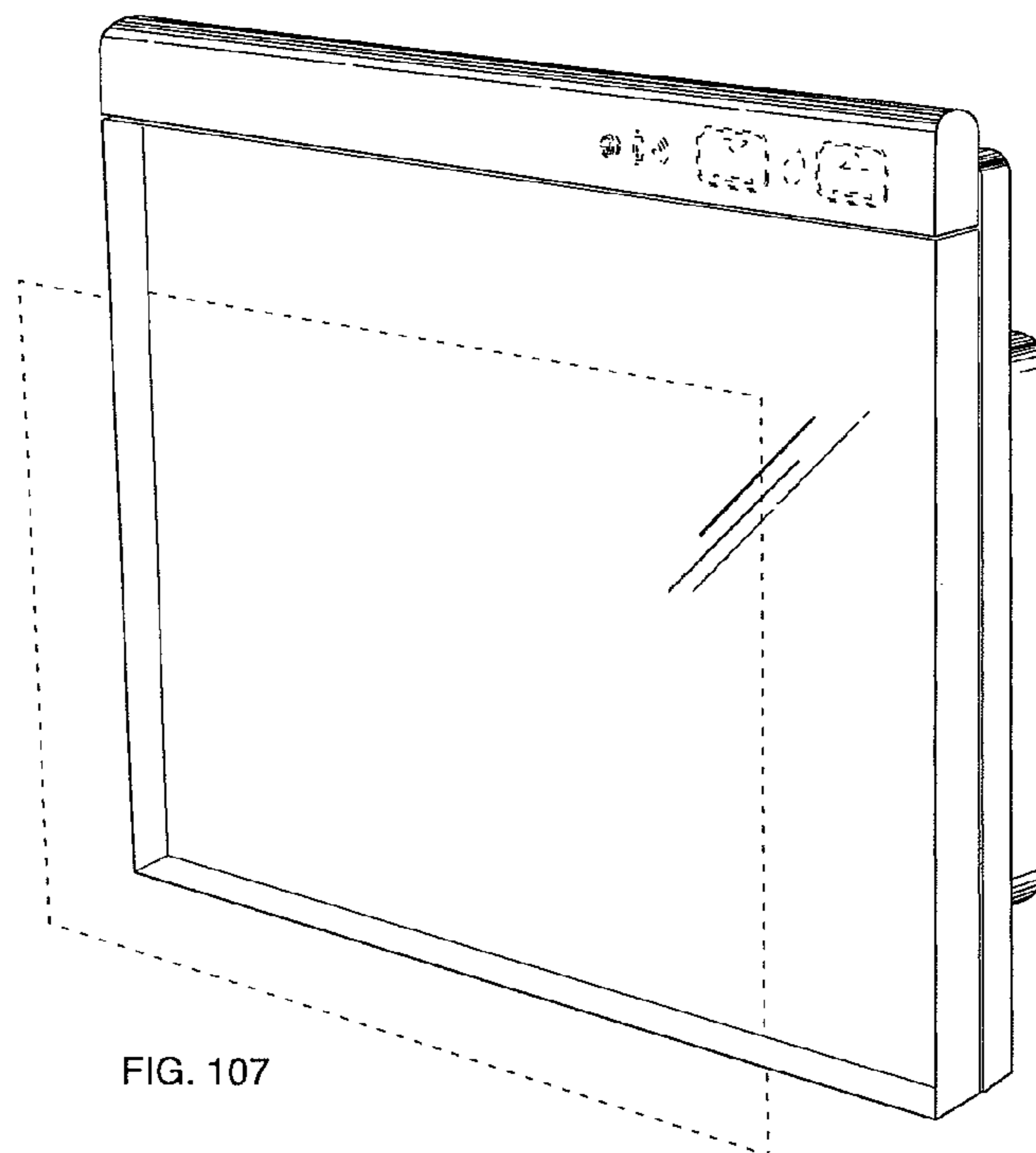


FIG. 107

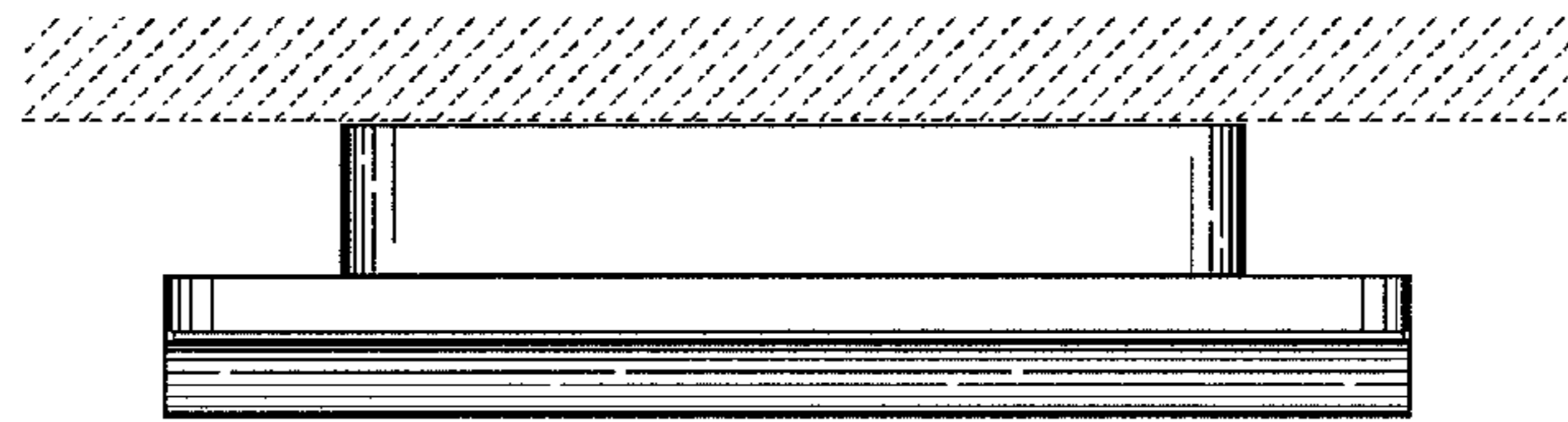


FIG. 108

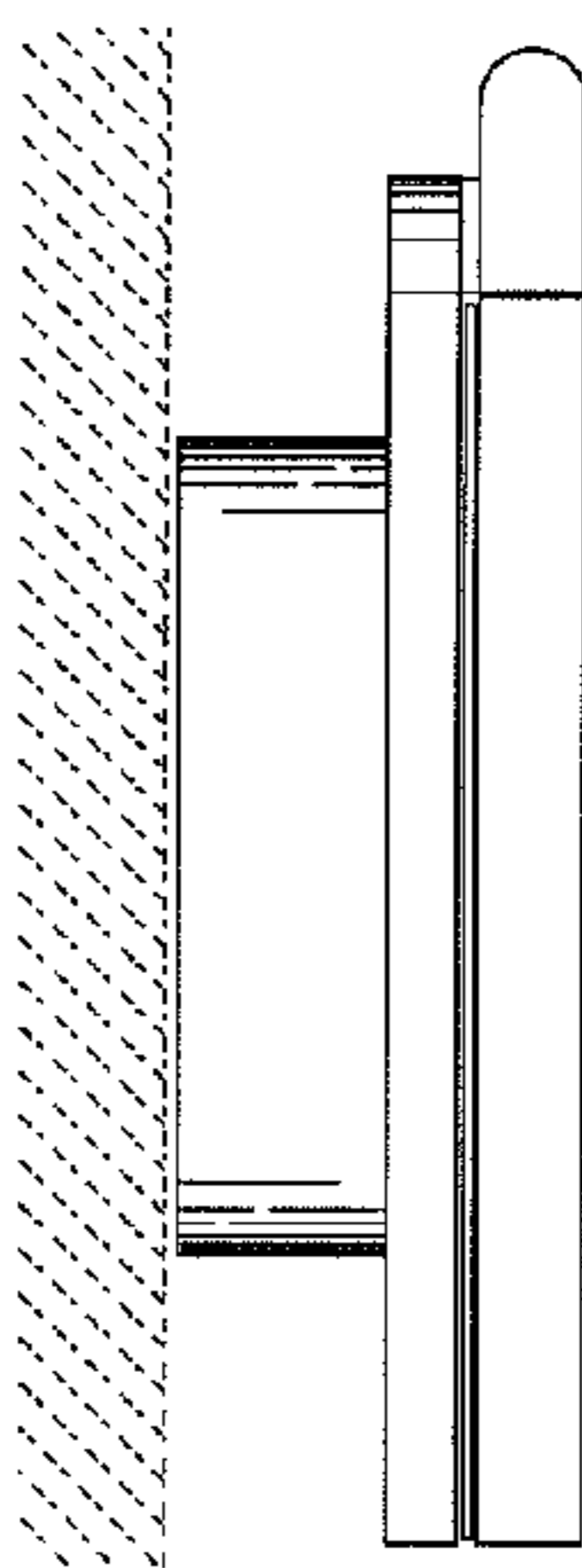


FIG. 109

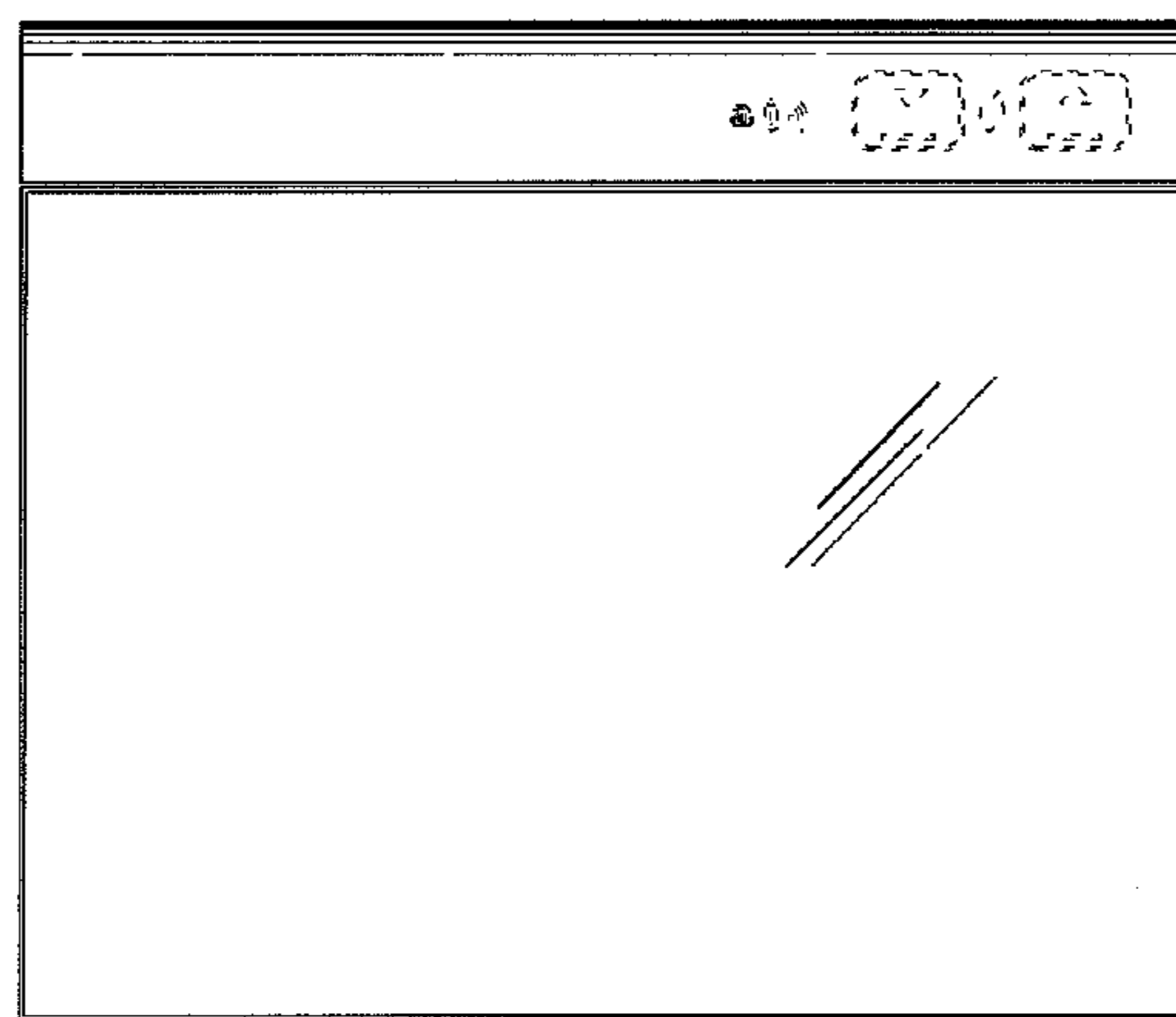


FIG. 110

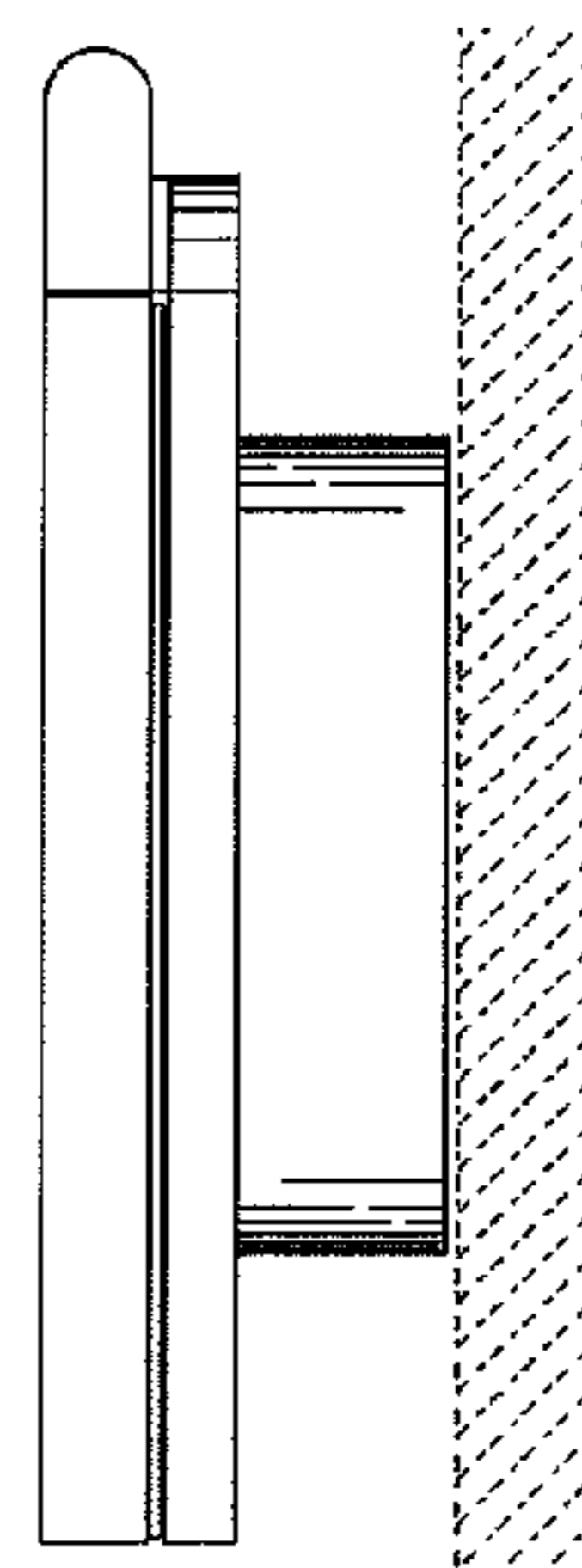


FIG. 111

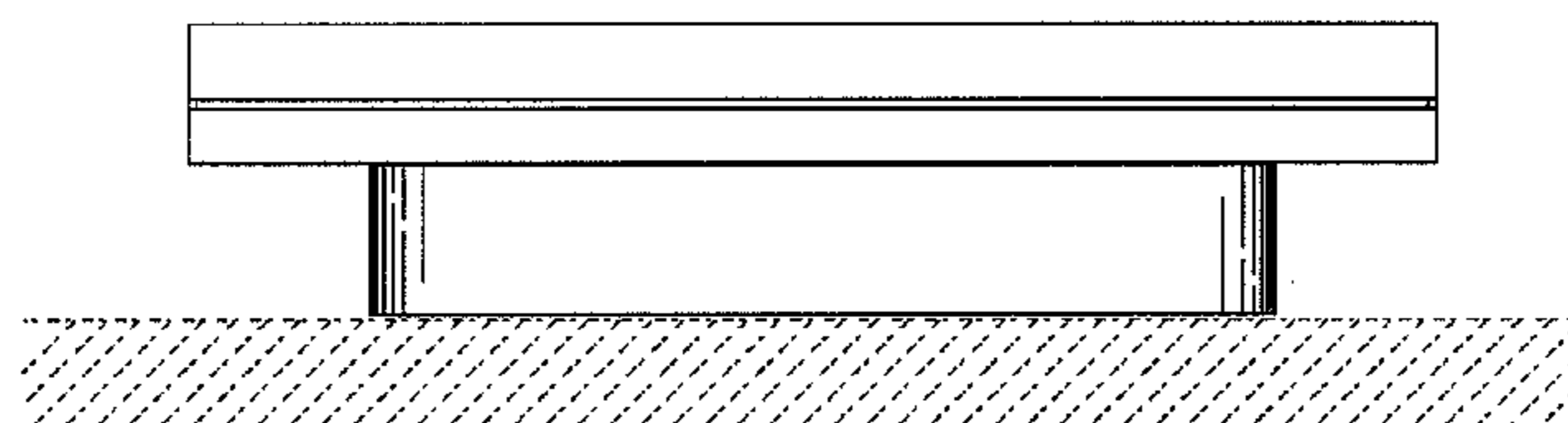


FIG. 112

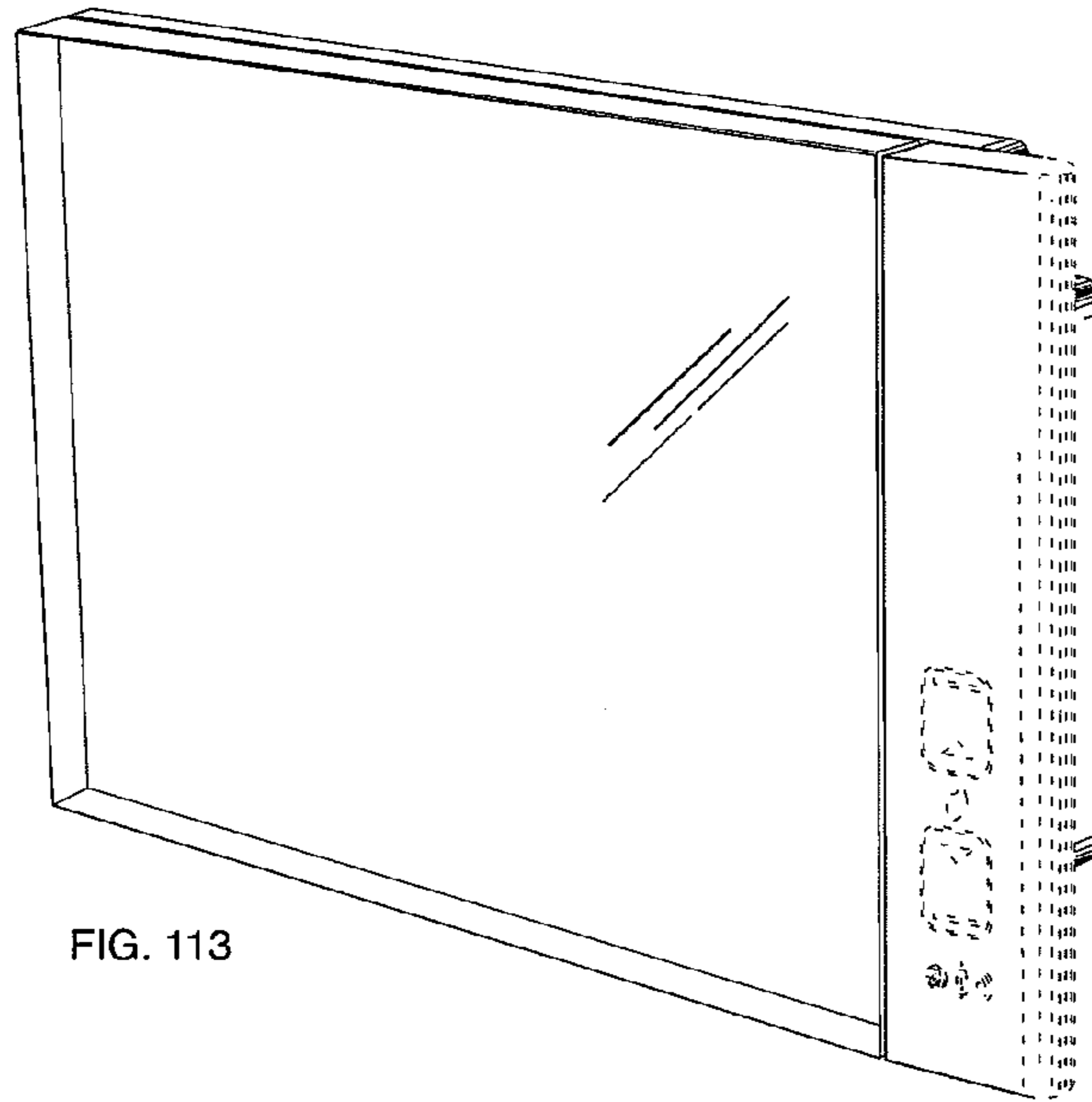


FIG. 113

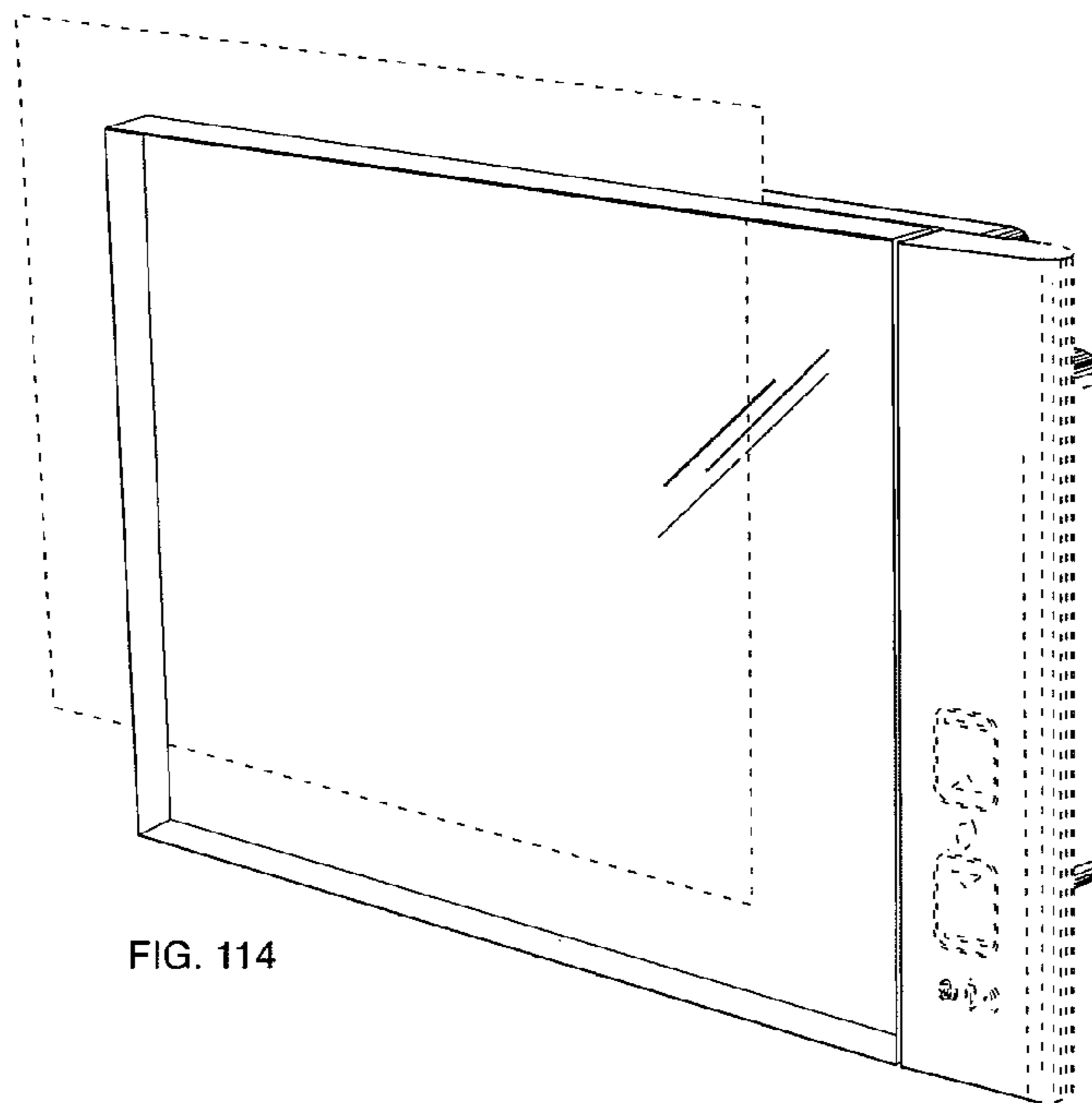


FIG. 114

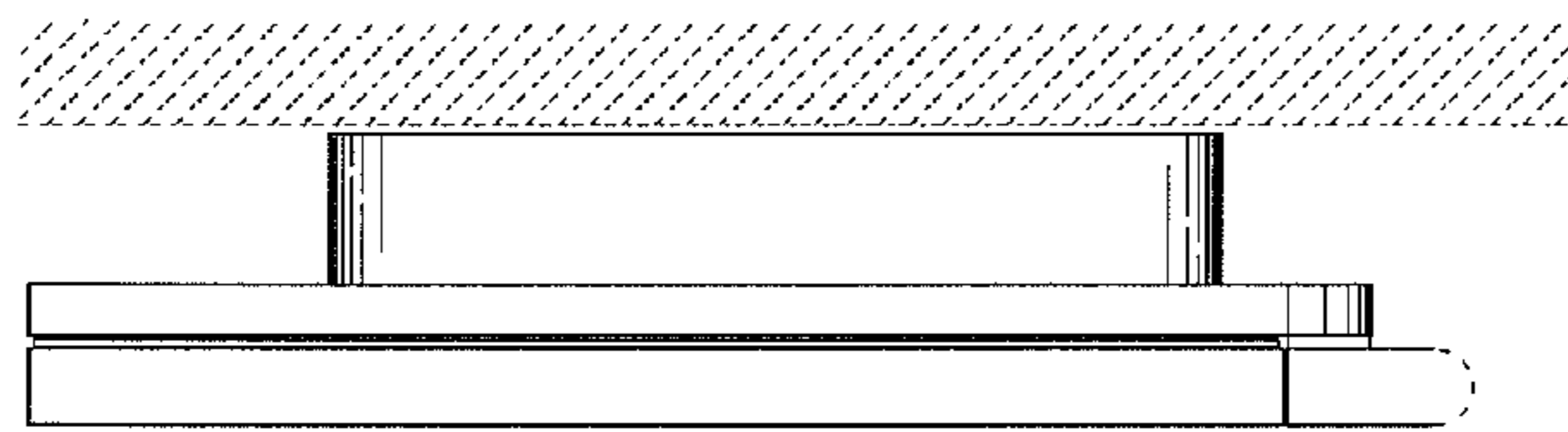


FIG. 115

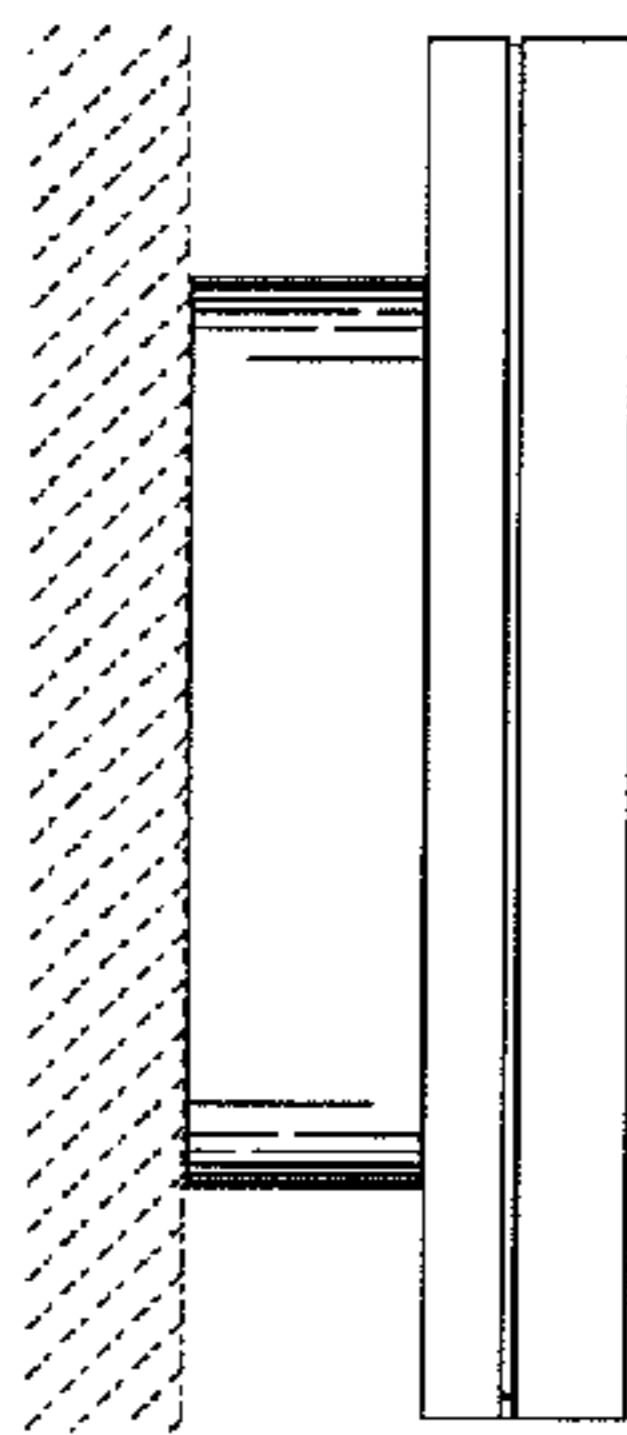


FIG. 116

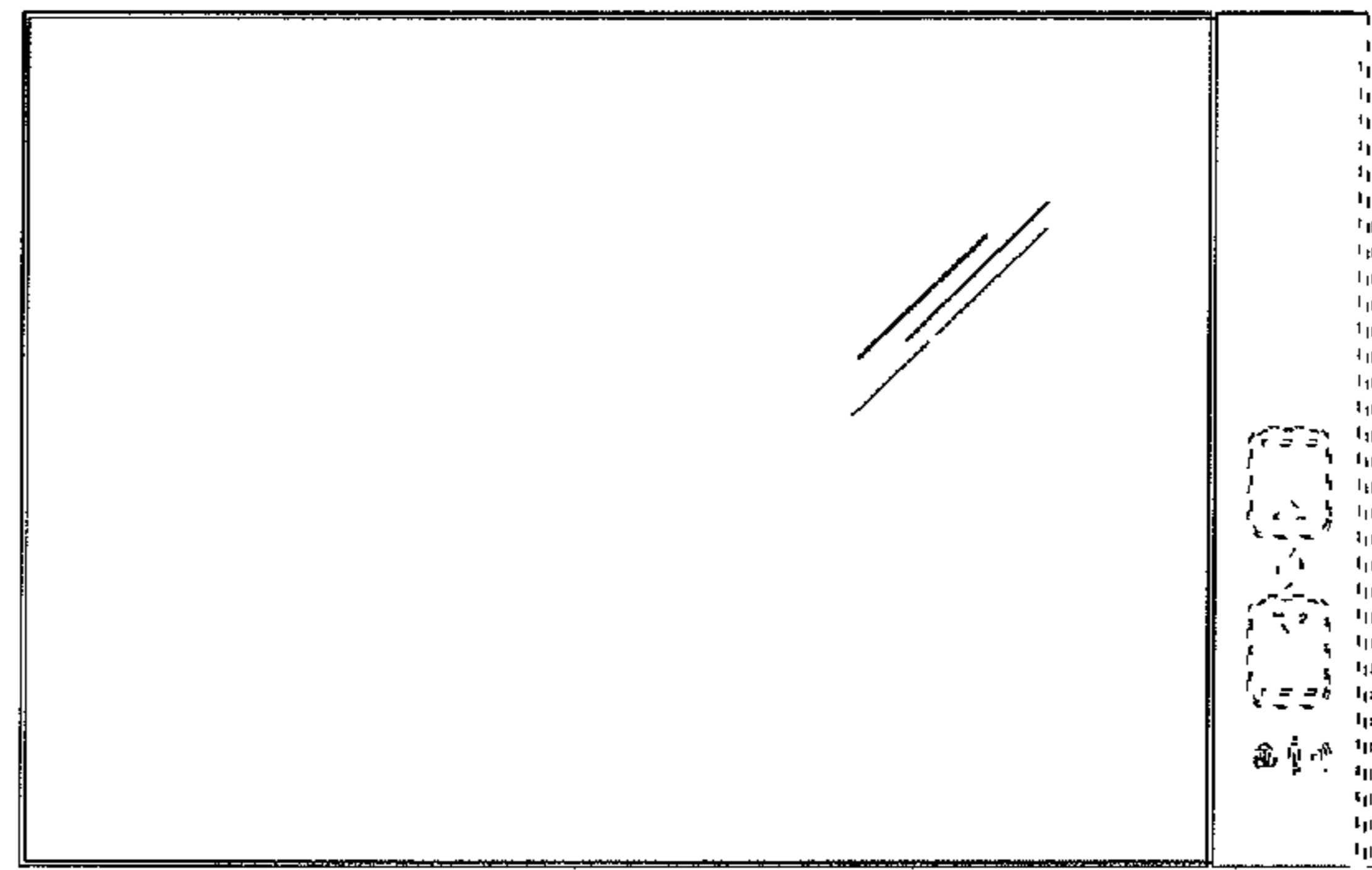


FIG. 117

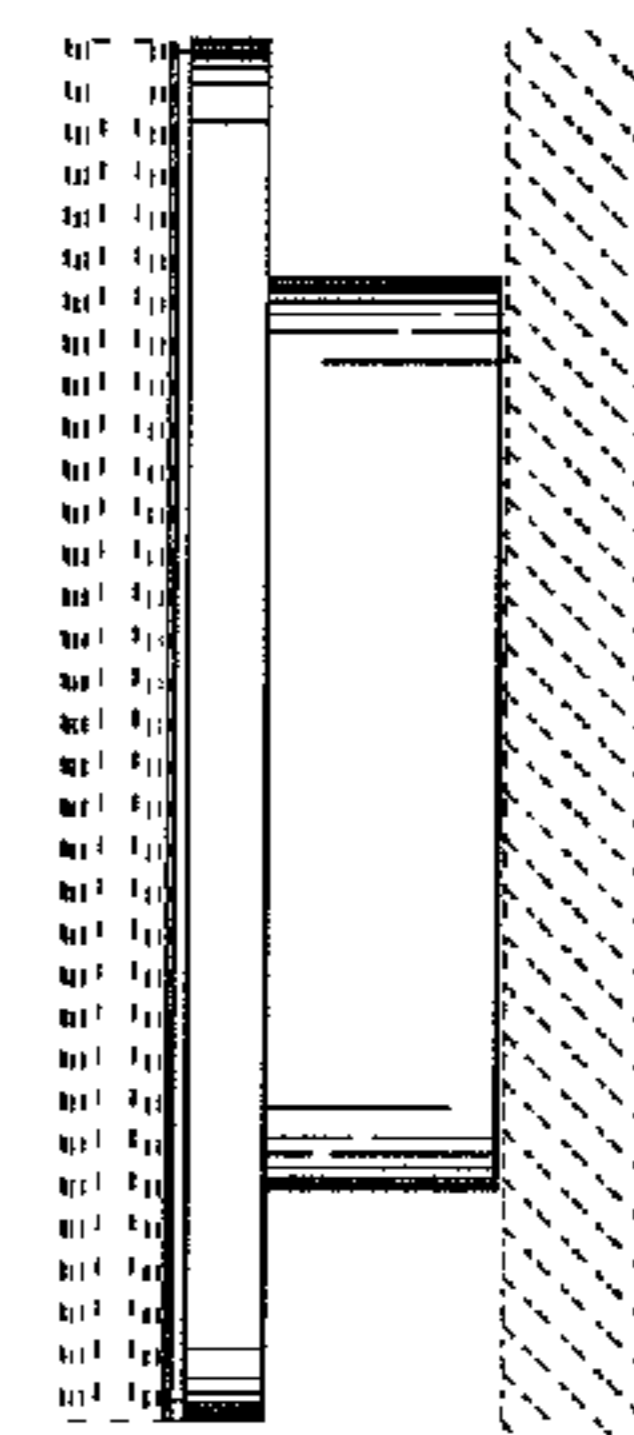


FIG. 118

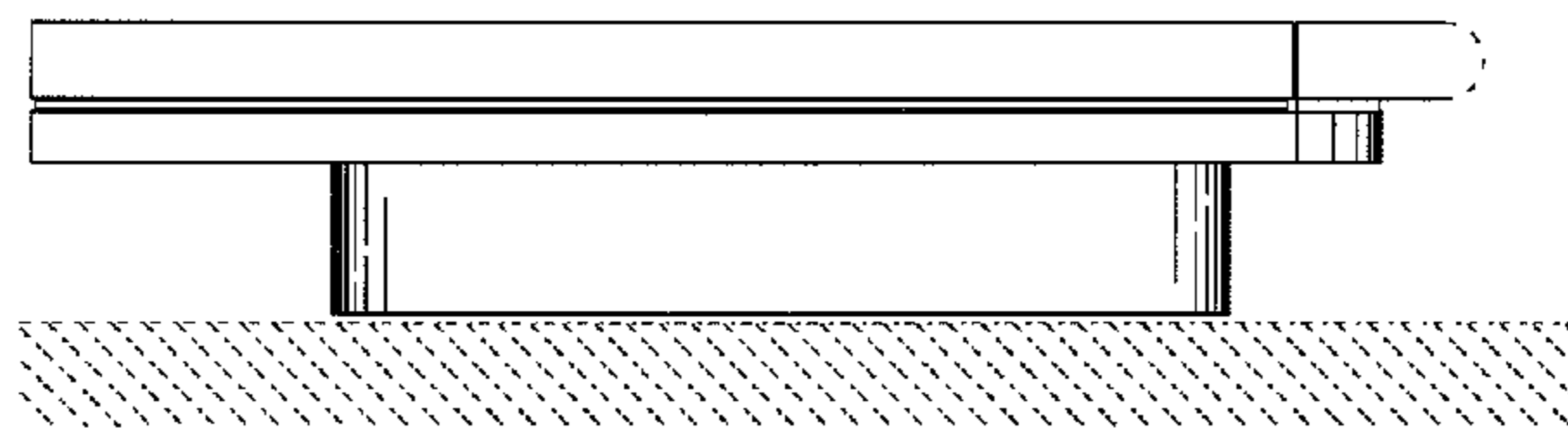


FIG. 119

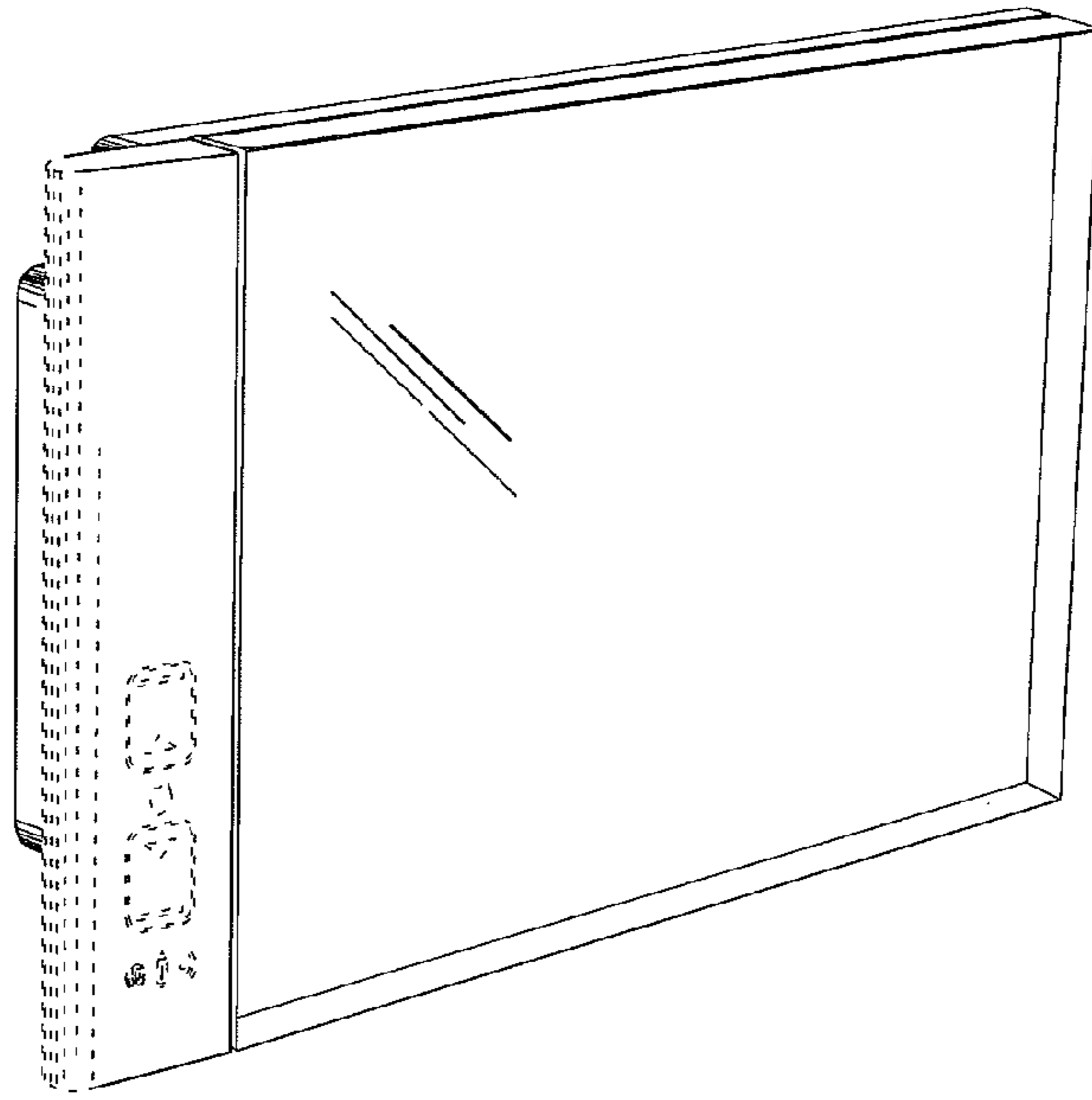


FIG. 120

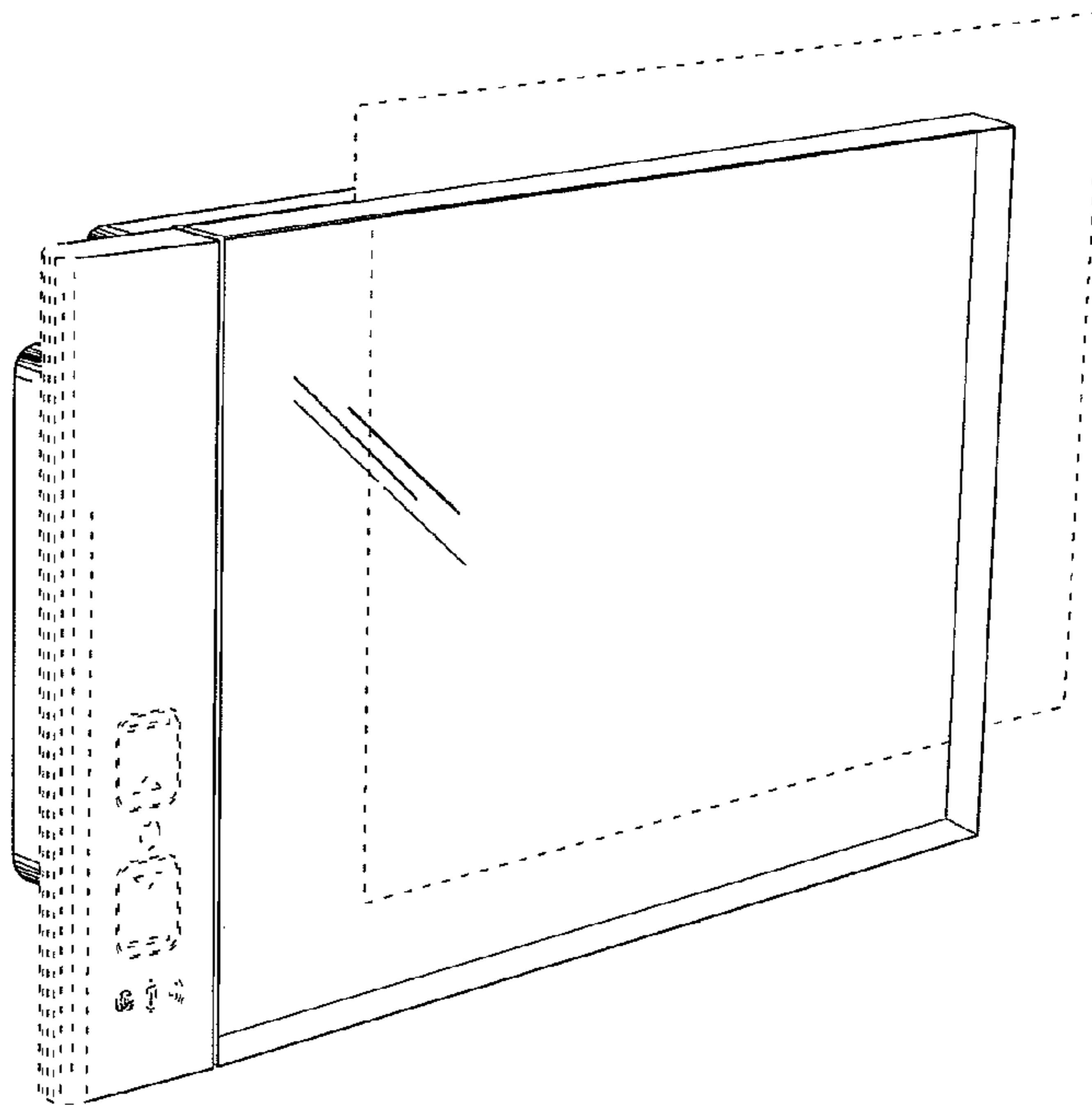


FIG. 121

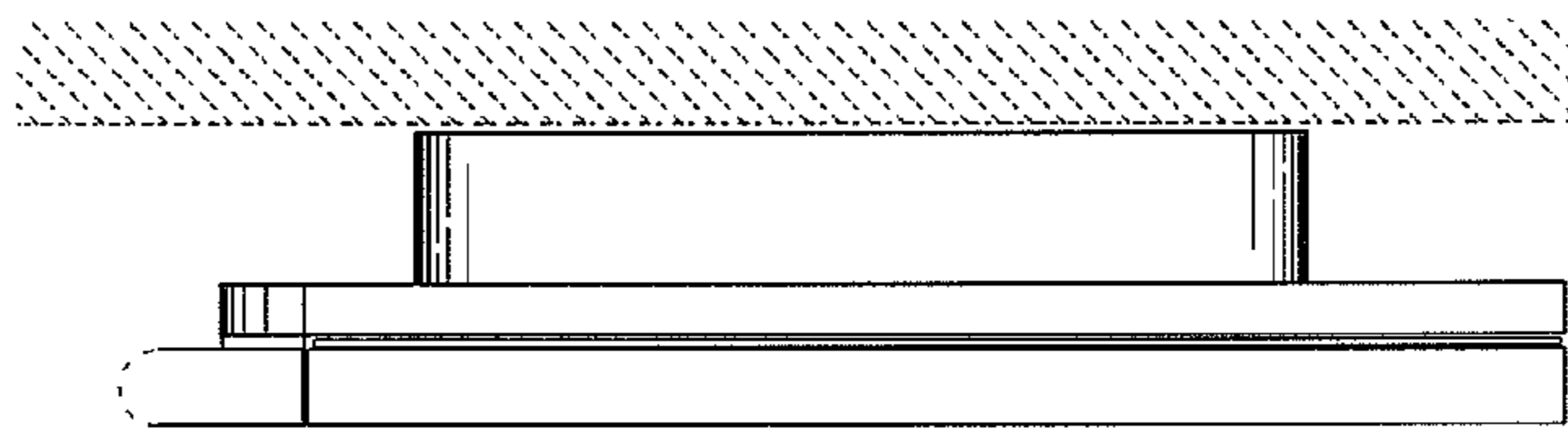


FIG. 122

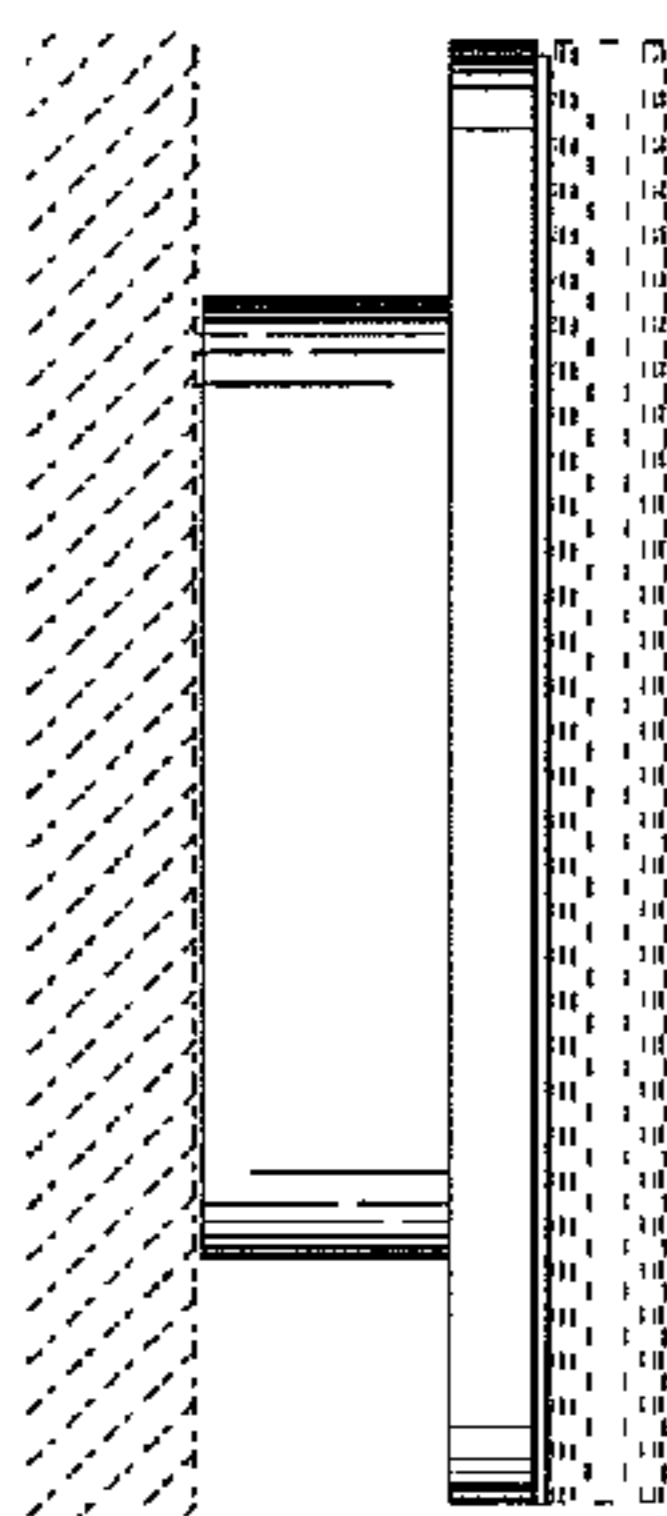


FIG. 123

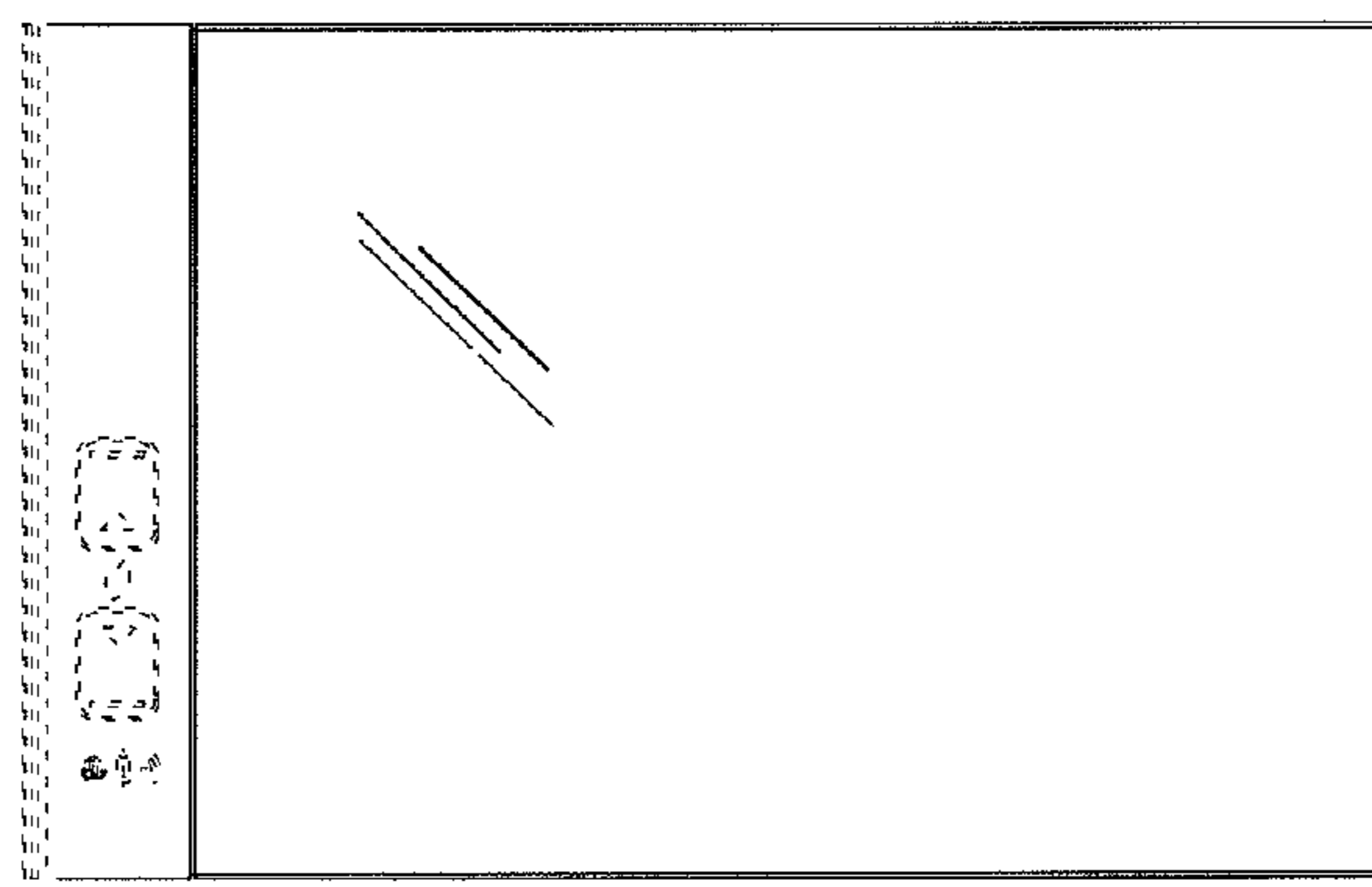


FIG. 124

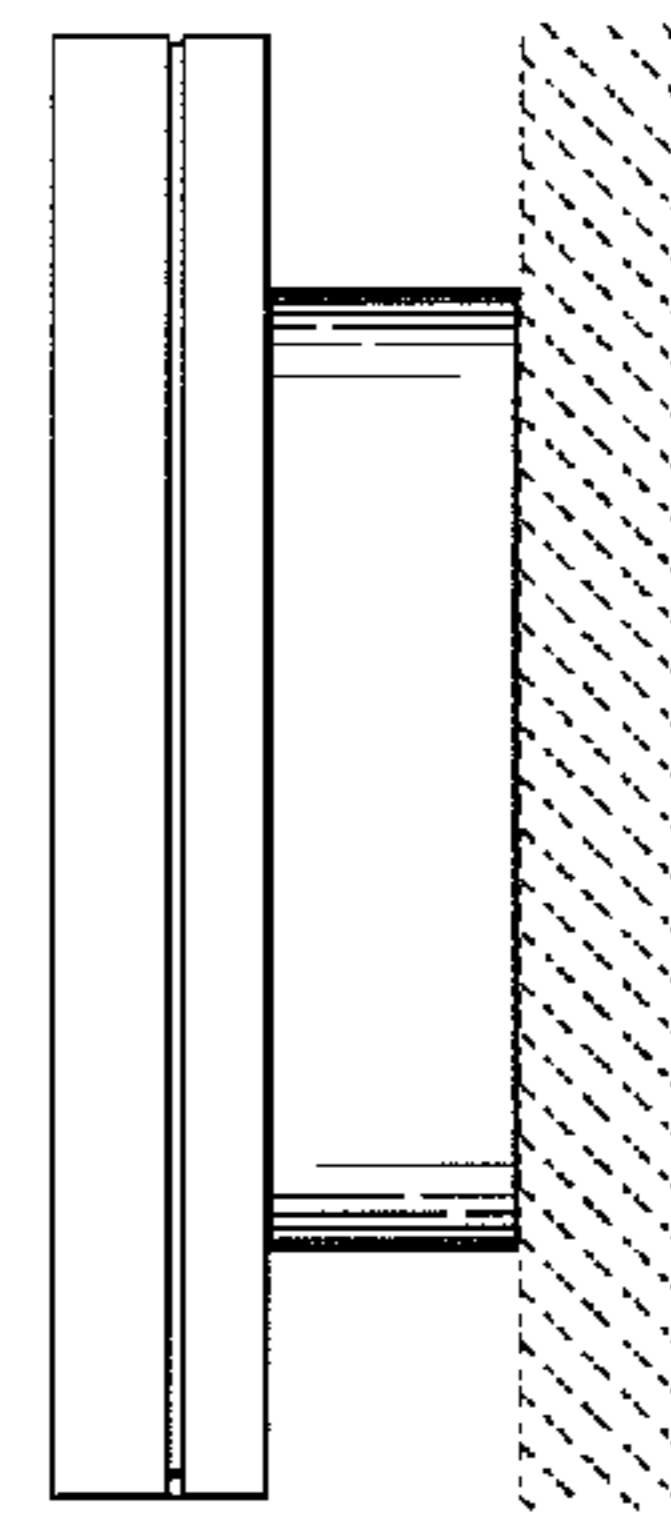


FIG. 125

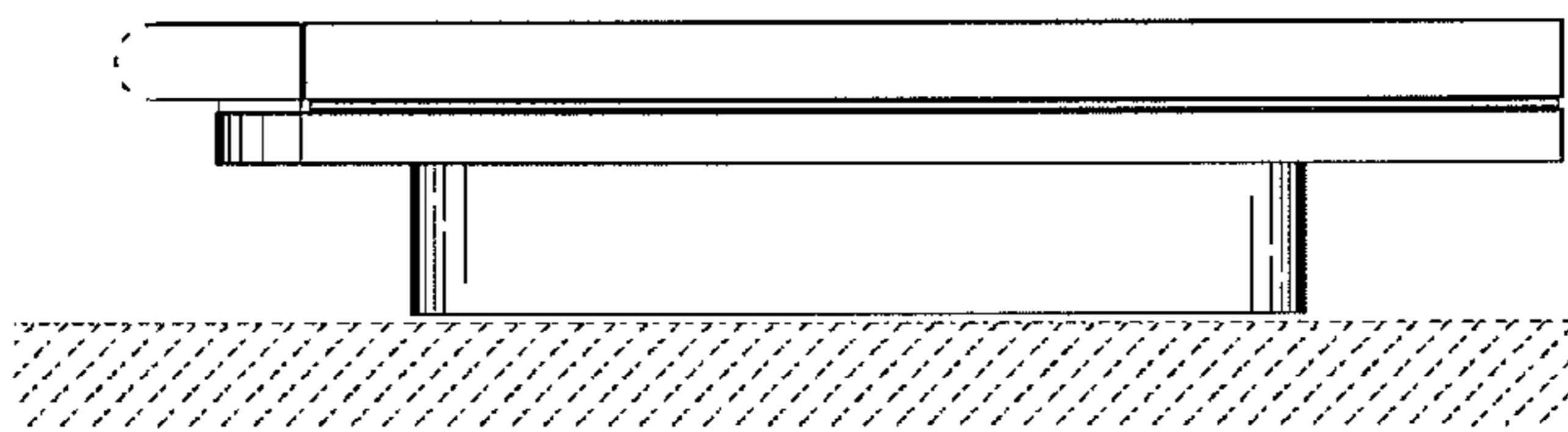


FIG. 126

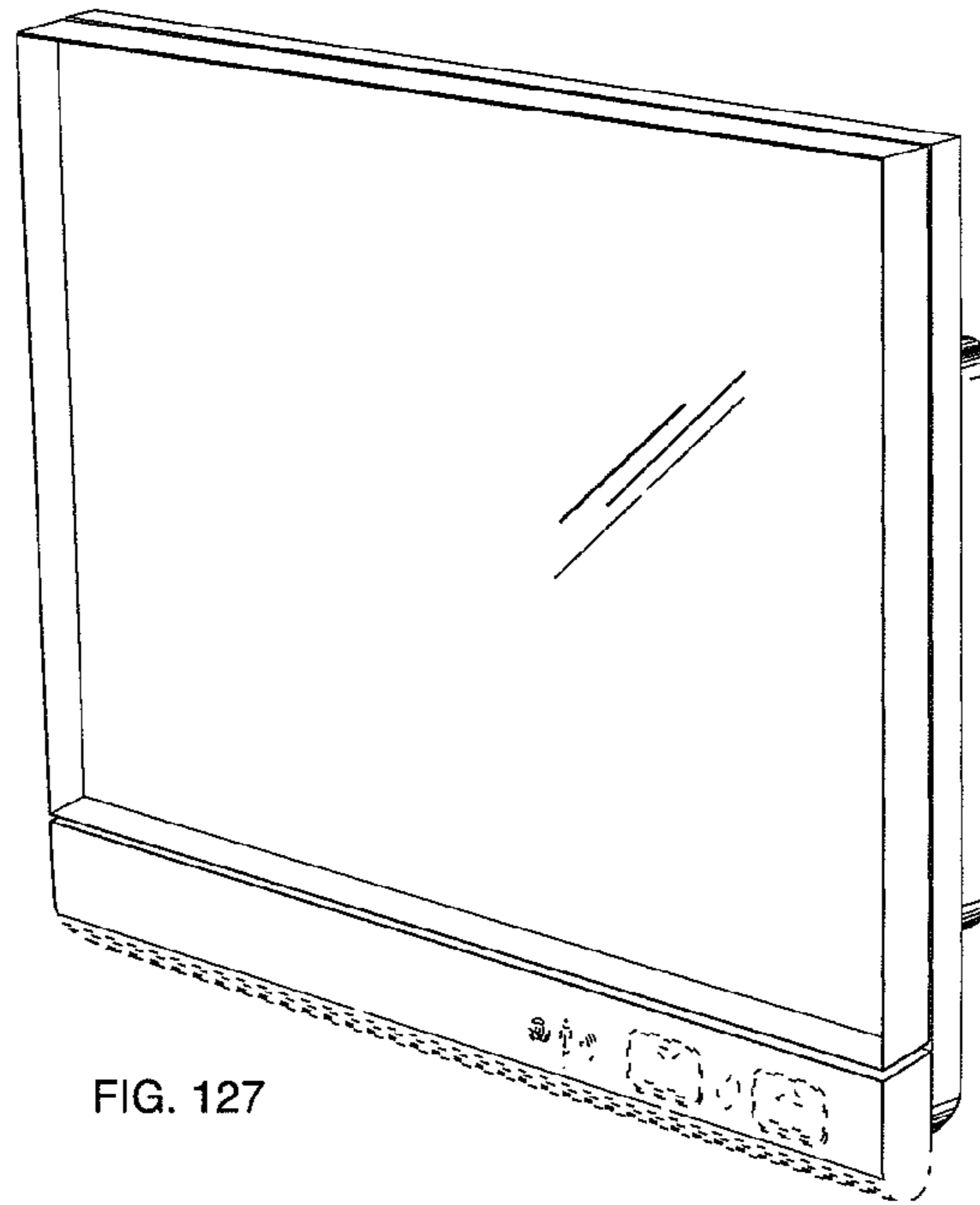


FIG. 127

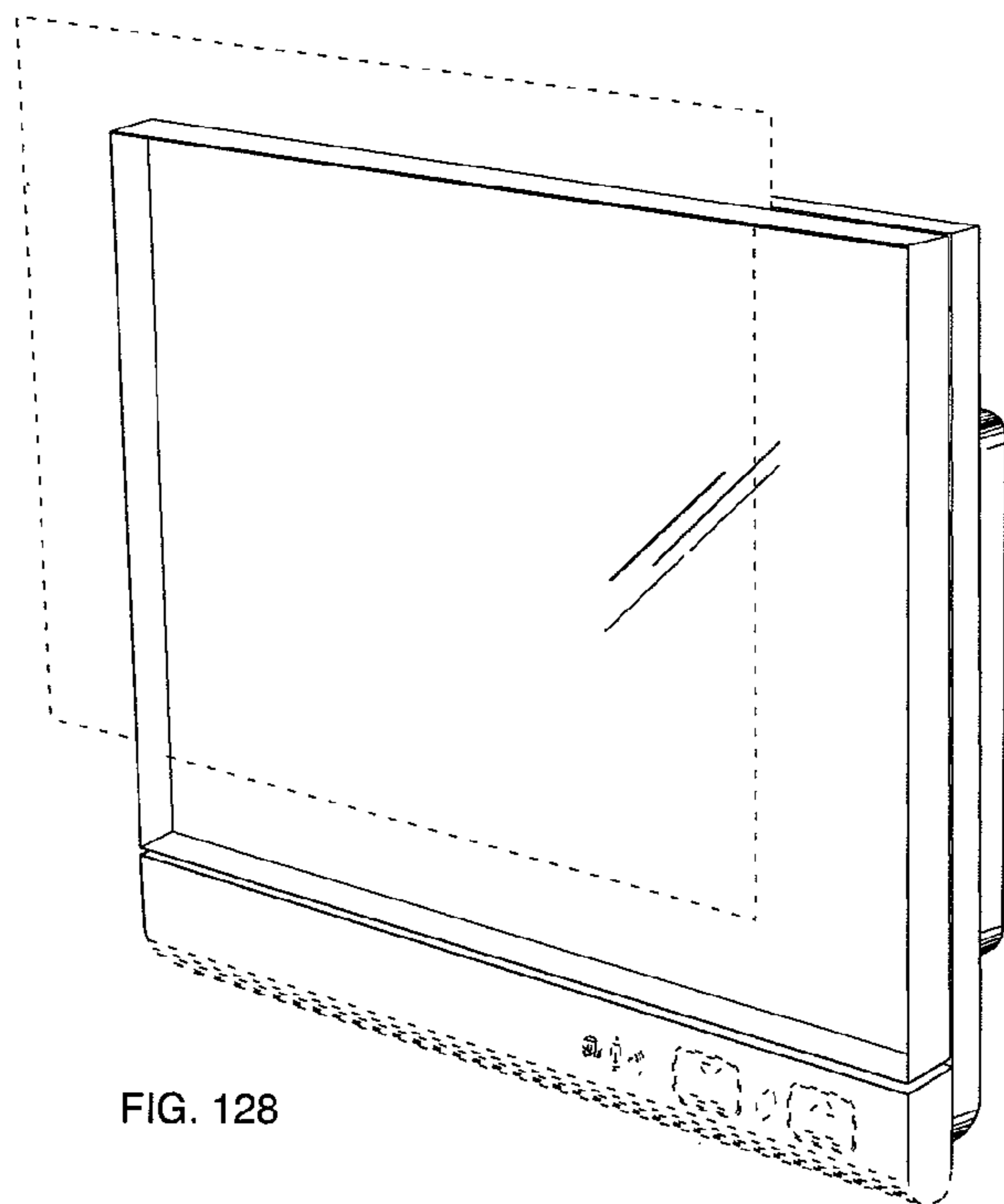


FIG. 128



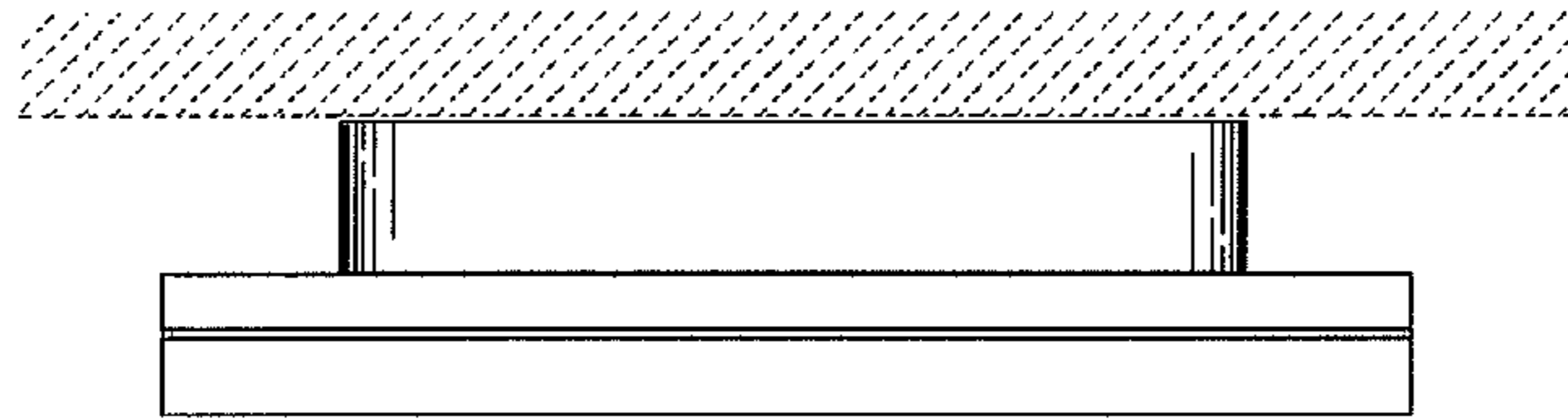


FIG. 129

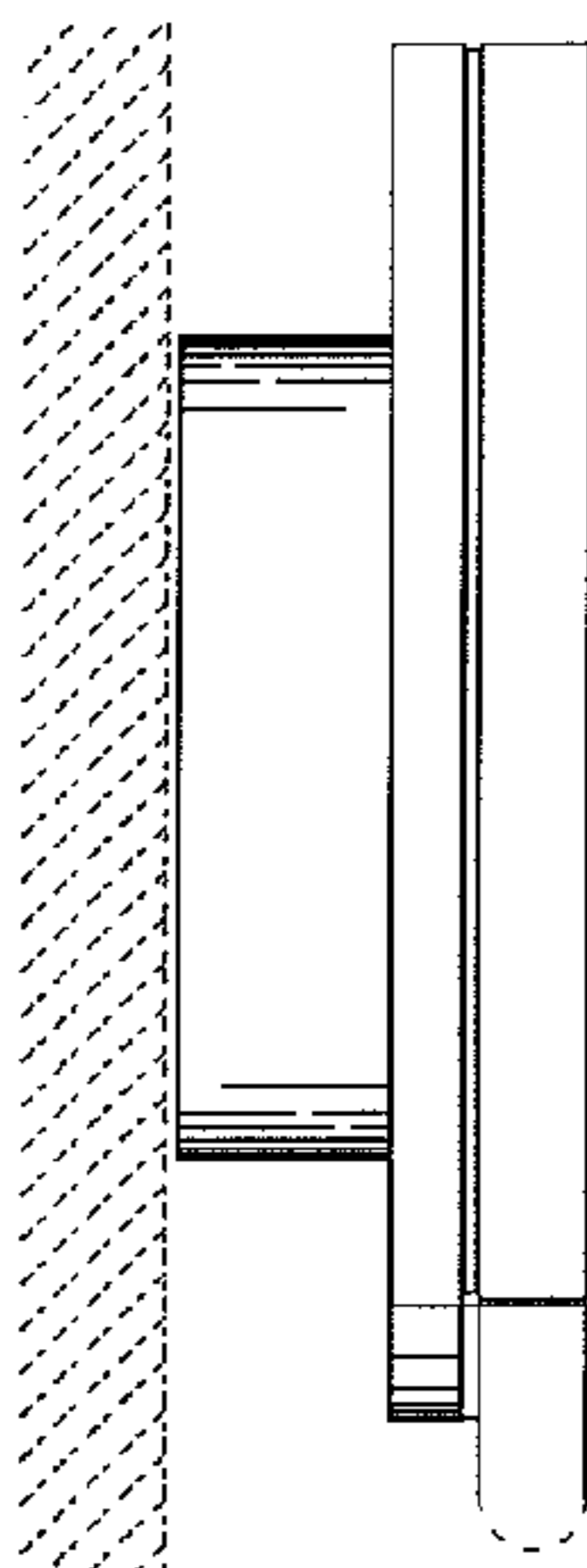


FIG. 130

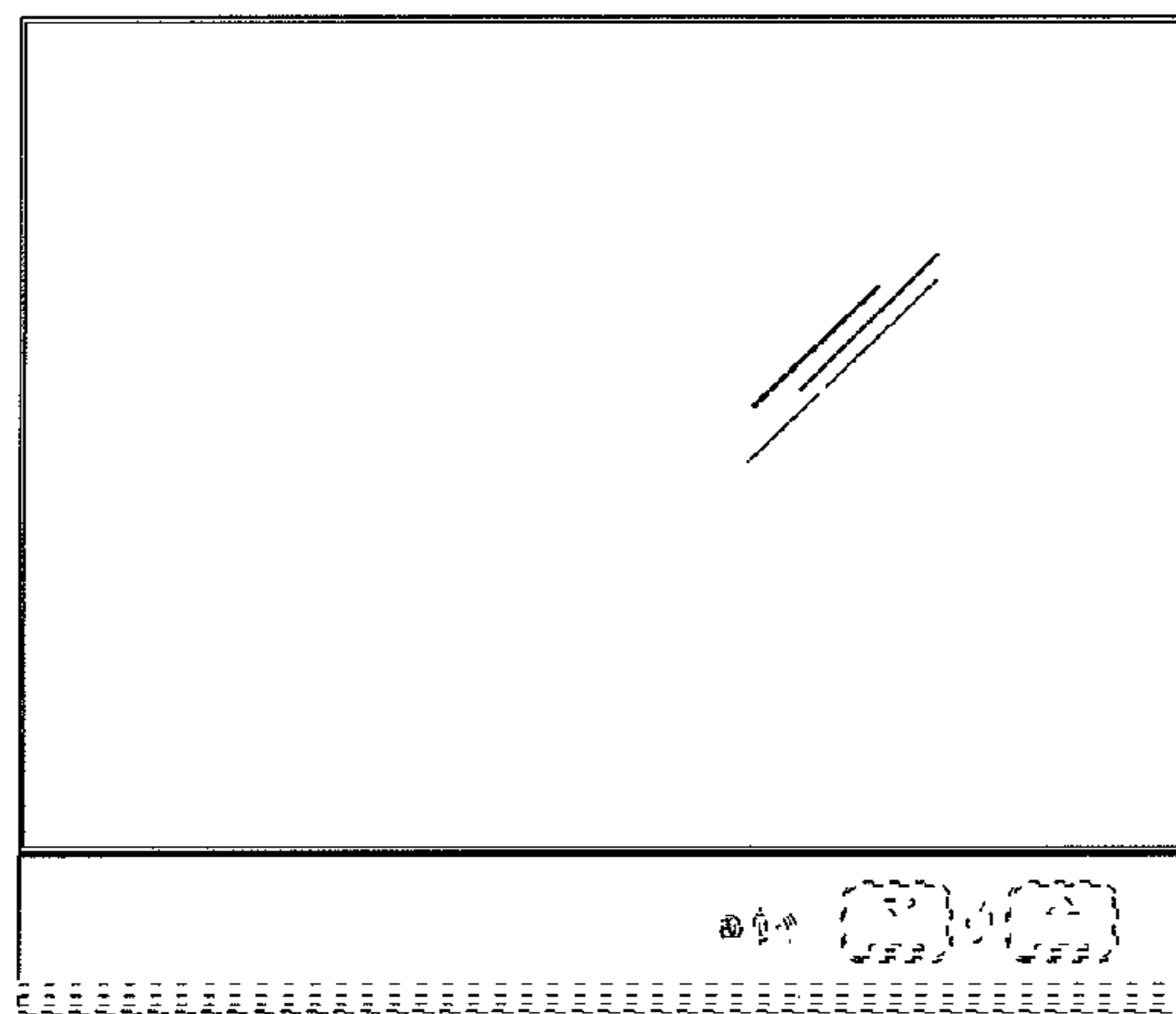


FIG. 131

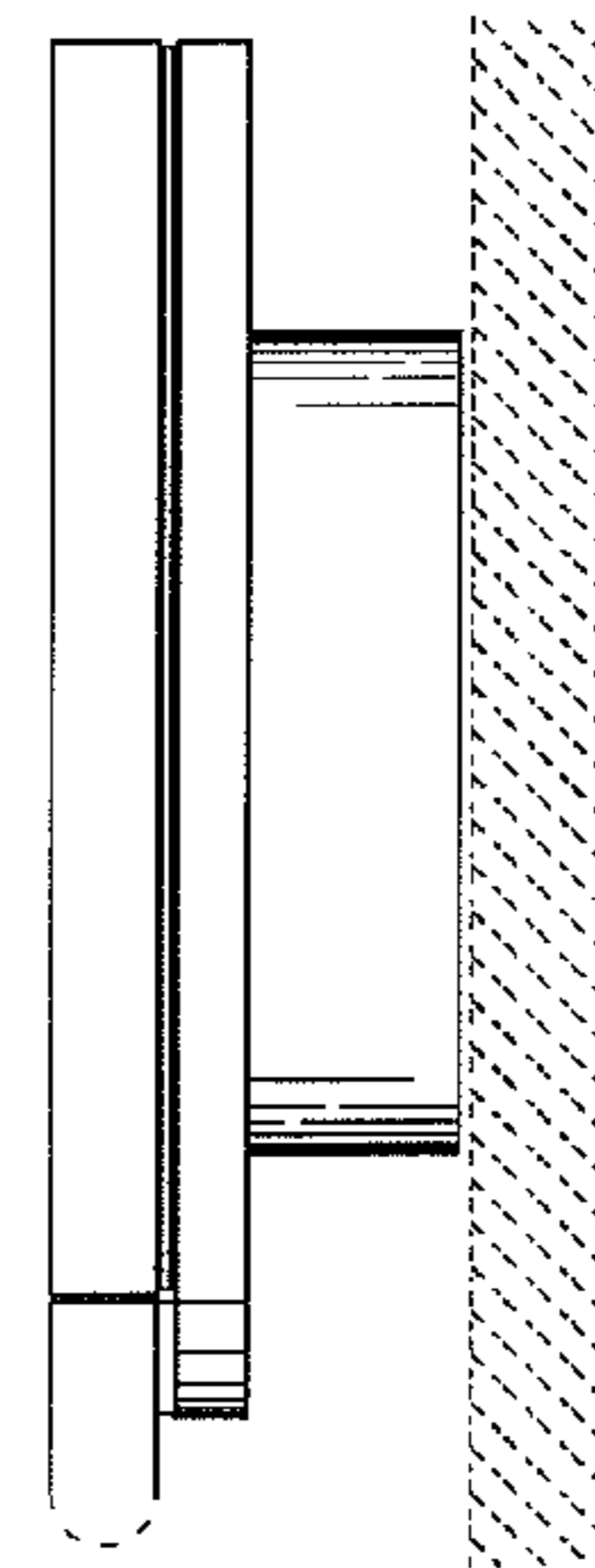


FIG. 132

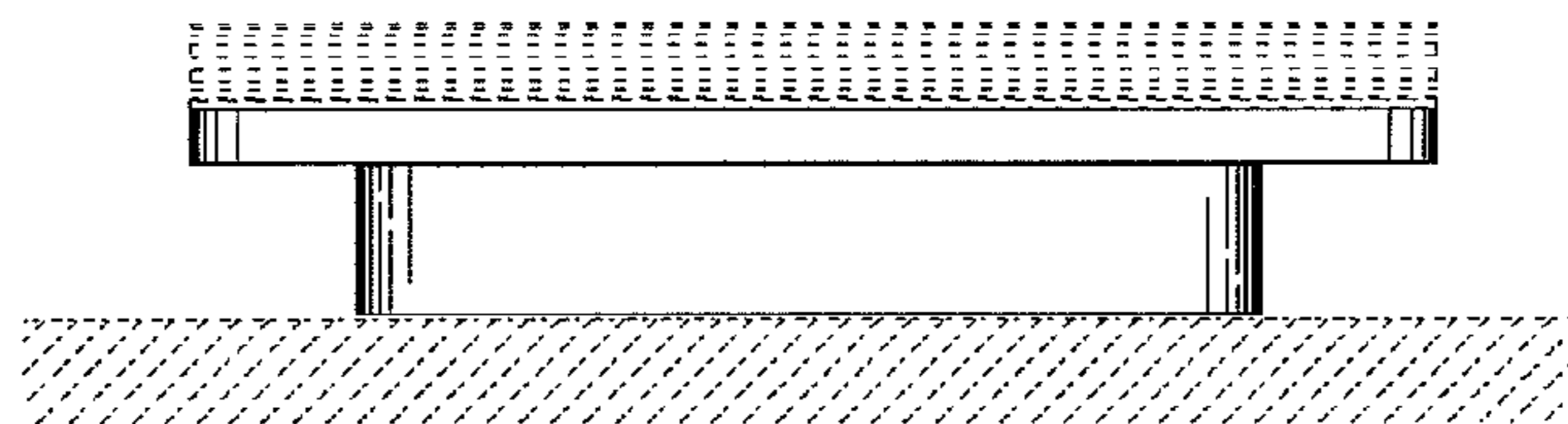


FIG. 133

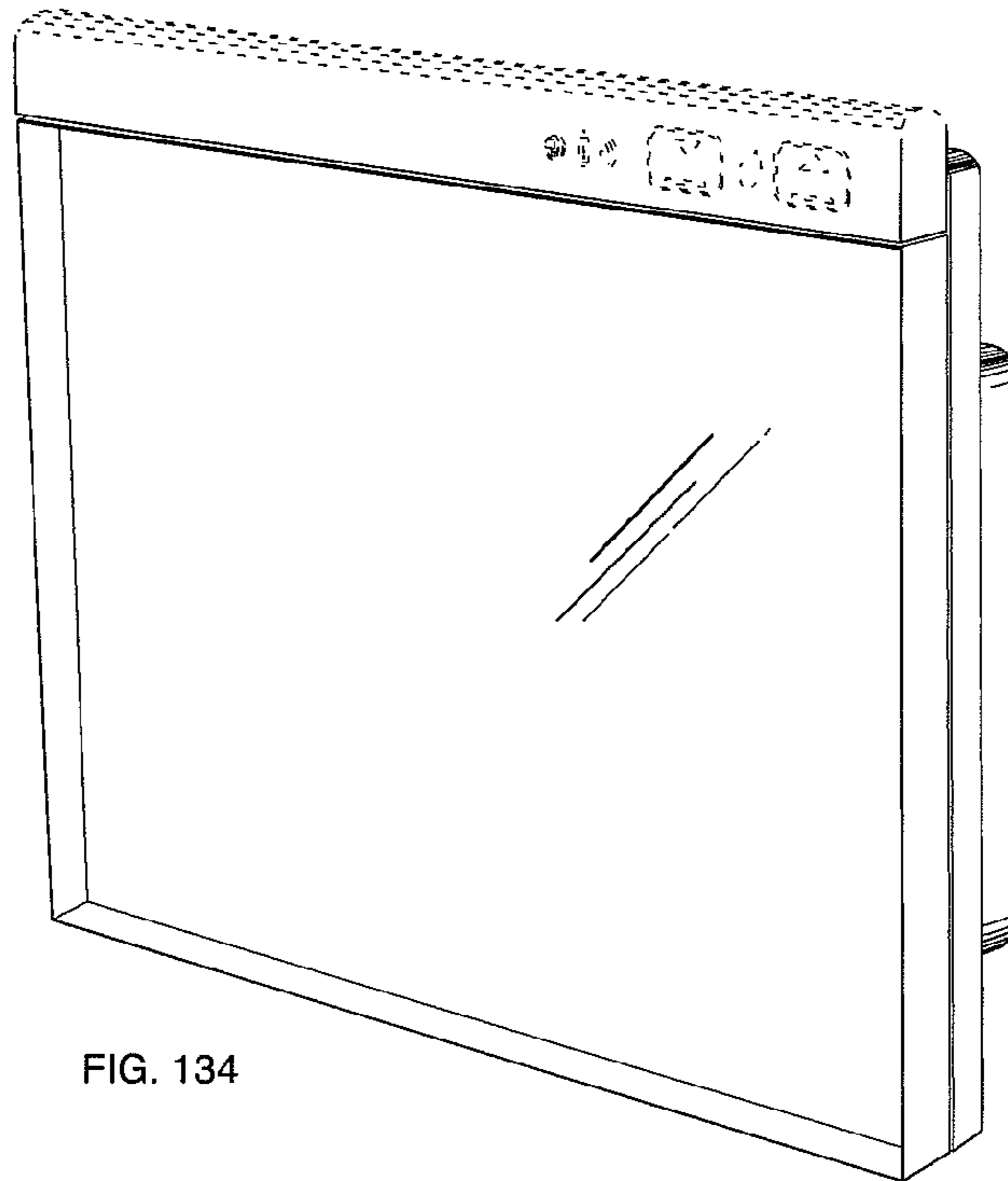


FIG. 134

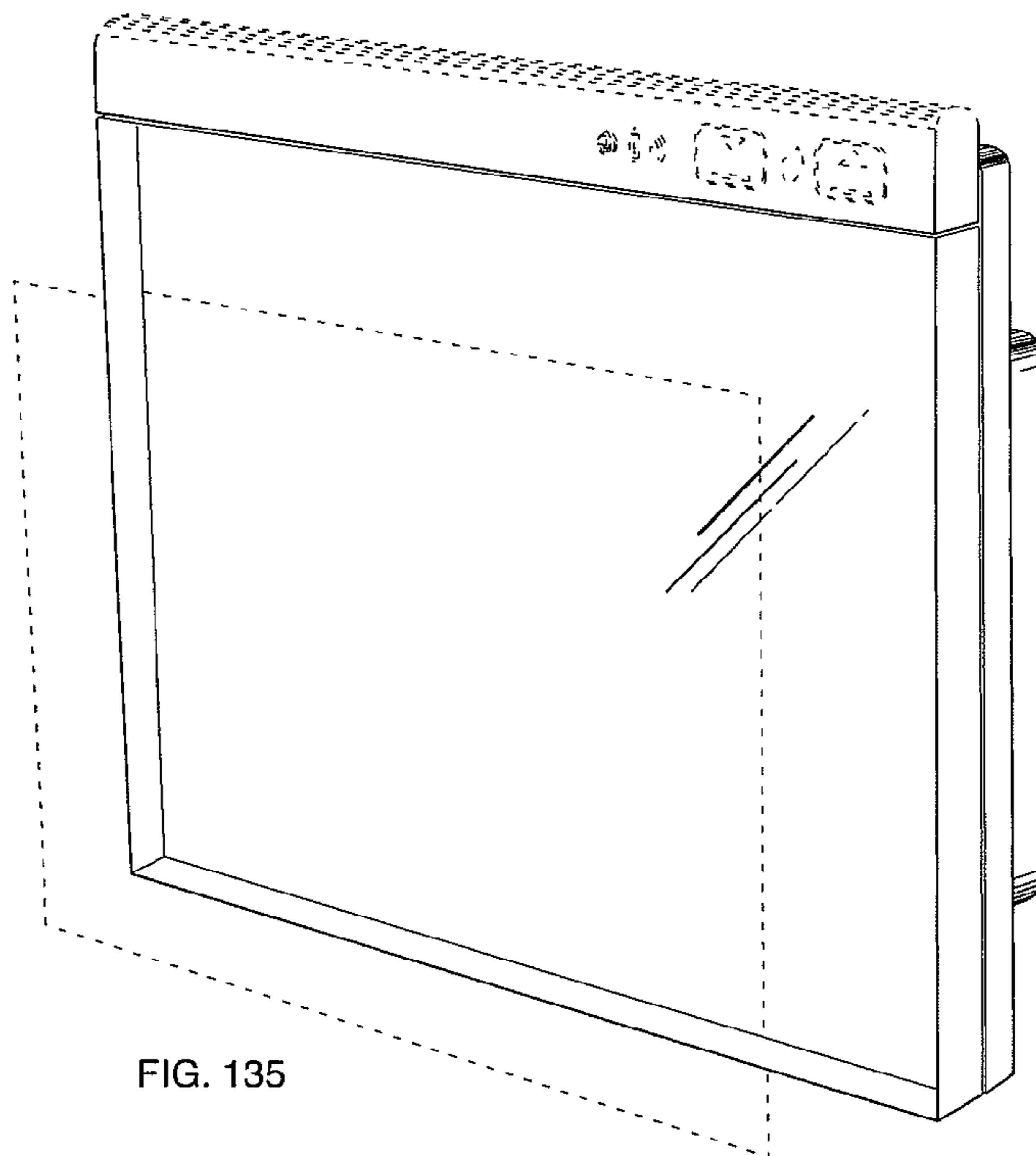


FIG. 135

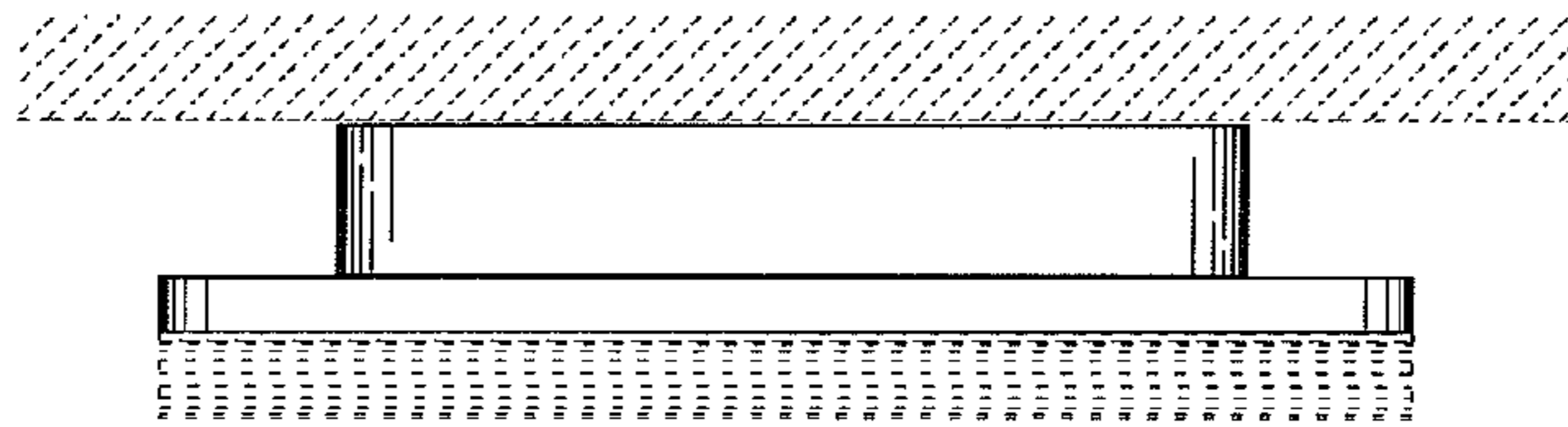


FIG. 136

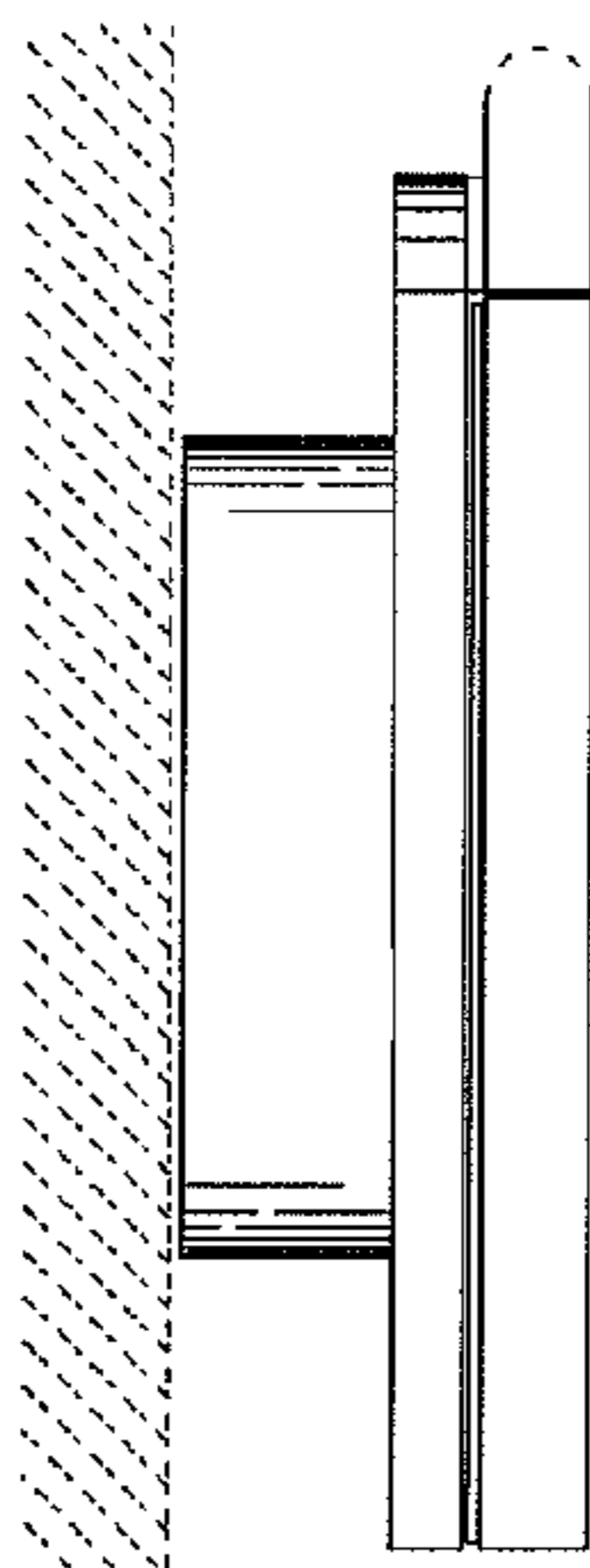


FIG. 137

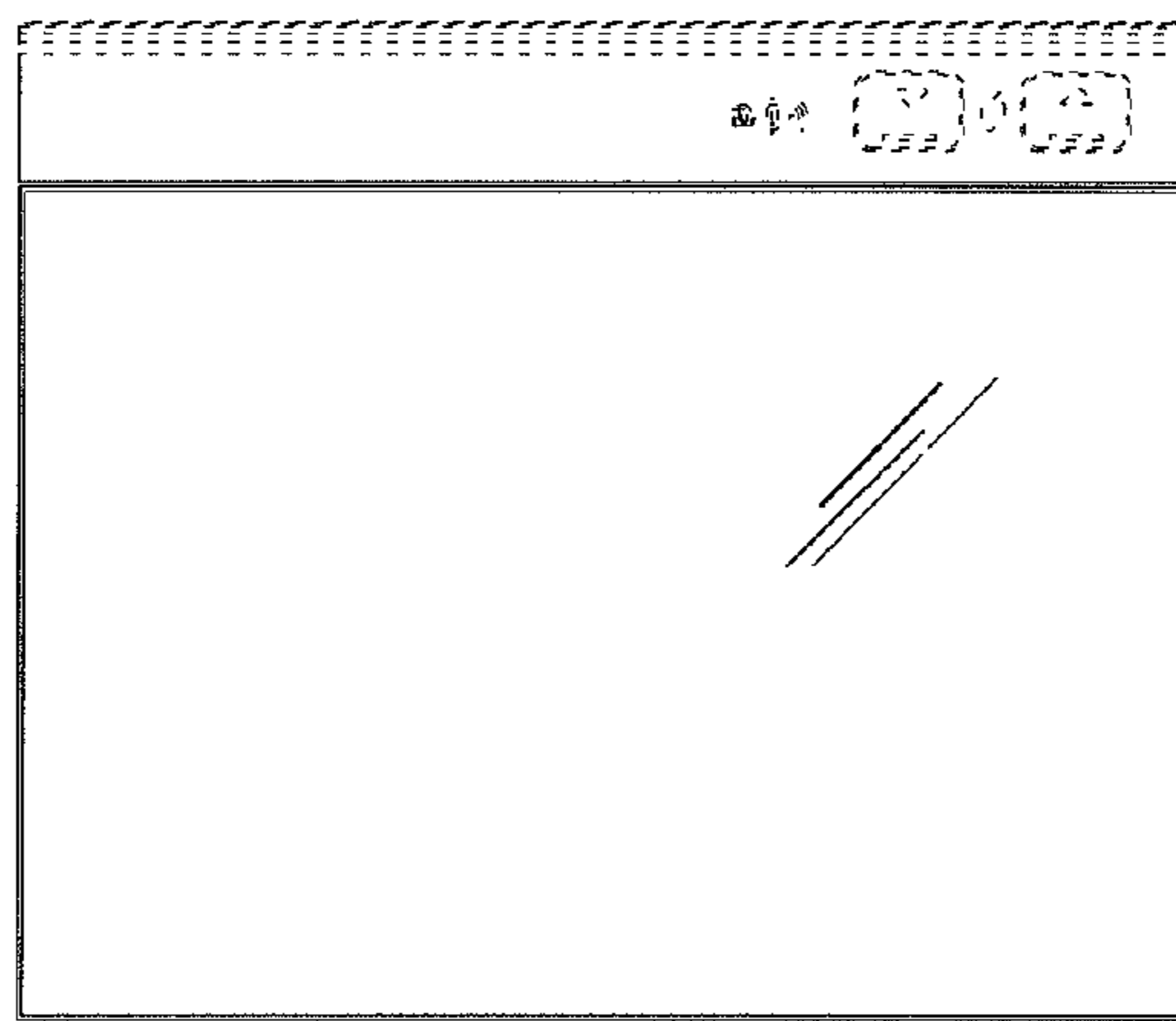


FIG. 138

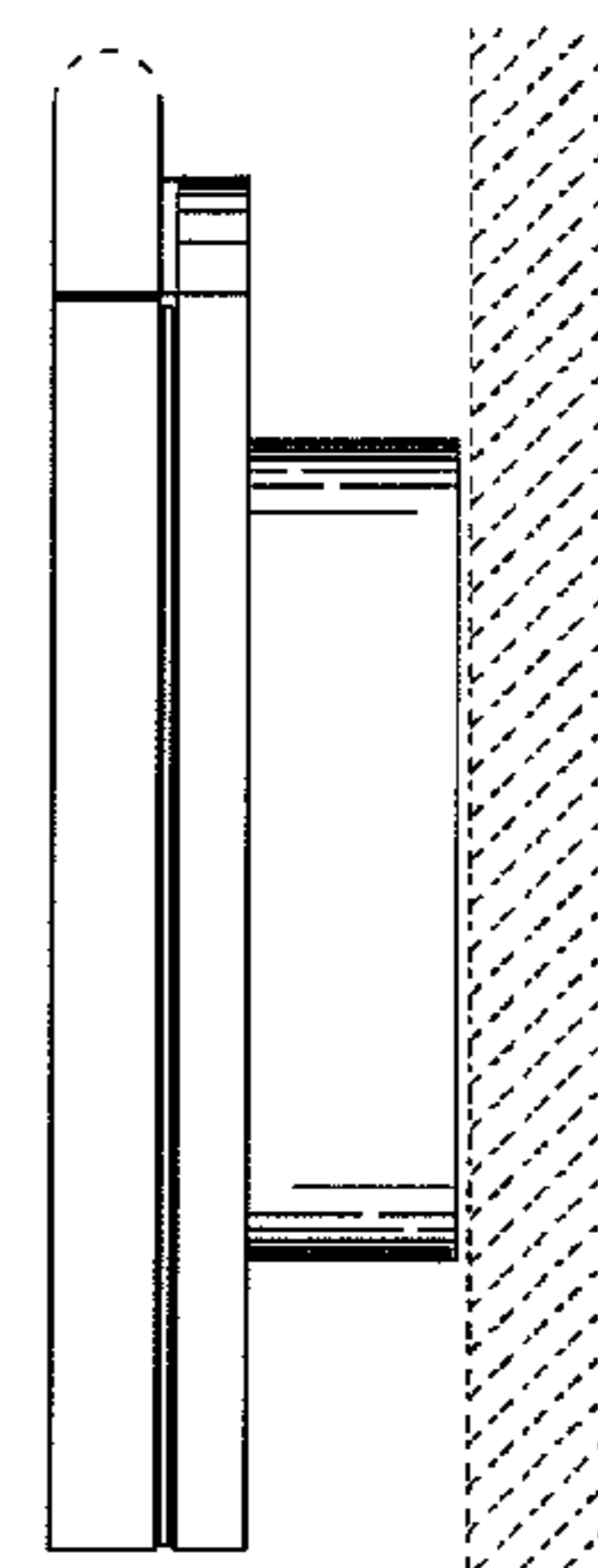


FIG. 139

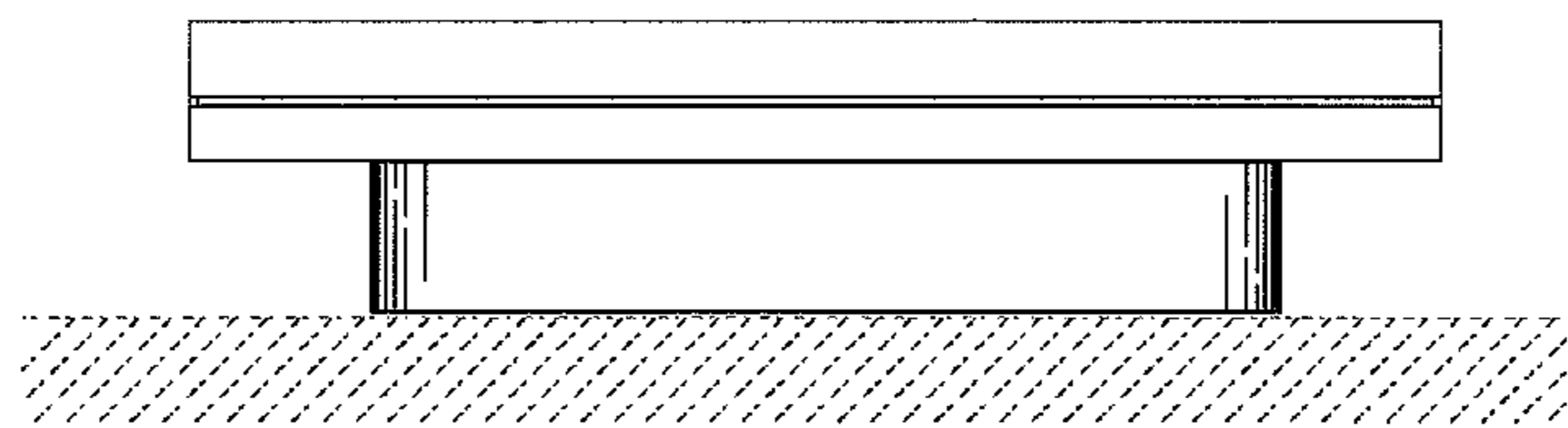


FIG. 140