



US00D705094S

(12) **United States Design Patent**
Eyring et al.

(10) **Patent No.:** **US D705,094 S**
(45) **Date of Patent:** **** May 20, 2014**

(54) **THERMOSTAT**

- (71) Applicant: **Orbit Irrigation Products, Inc.**, North Salt Lake, UT (US)
- (72) Inventors: **Stuart Eyring**, Bountiful, UT (US); **Karl L. Connolly**, Brigham City, UT (US); **Landon T. Gwilliam**, Salt Lake City, UT (US)
- (73) Assignee: **Orbit Irrigation Products, Inc.**, North Salt Lake, UT (US)
- (**) Term: **14 Years**
- (21) Appl. No.: **29/446,426**
- (22) Filed: **Feb. 22, 2013**

Related U.S. Application Data

- (63) Continuation-in-part of application No. 29/426,884, filed on Jul. 11, 2012, now Pat. No. Des. 676,768.
- (51) **LOC (10) Cl.** **10-04**
- (52) **U.S. Cl.**
USPC **D10/50**
- (58) **Field of Classification Search**
USPC D10/49-50; D13/162; 55/270, 274, 55/279, 34; 62/176.6, 125-130, 78, 180, 62/186; 73/23.2, 23.34, 31.01, 31.02, 431, 73/170.16-170.19, 170.21-170.25, 73/863.12, 29, 29.02, 335.01-335.14; 236/46 R, 47, 94, 44 C, 44 R, 49.3, 44 A, 236/96; 337/112, 327, 360; 340/602, 627, 340/632, 634; 361/346; 364/141, 146, 147, 364/188, 420, 557; 454/229, 239, 256, 257, 454/258; 700/18, 159, 181, 278
See application file for complete search history.

(56) **References Cited**

U.S. PATENT DOCUMENTS

- D648,642 S * 11/2011 Wallaert et al. D10/49
- D676,768 S 2/2013 Eyring et al.
- D676,769 S 2/2013 Eyring et al.
- D679,205 S 4/2013 Eyring et al.

OTHER PUBLICATIONS

- U.S. Appl. No. 29/426,884 and the associated file history.
- U.S. Appl. No. 29/426,890 and the associated file history.
- U.S. Appl. No. 29/426,892 and the associated file history.

* cited by examiner

Primary Examiner — Antoine D Davis

(74) *Attorney, Agent, or Firm* — Austin Rapp & Hardman

(57) **CLAIM**

The ornamental design for a thermostat, as shown and described.

DESCRIPTION

FIG. 1 is an elevated perspective view of a first embodiment of a thermostat, according to our new design; FIG. 2 is a front view of the thermostat shown in FIG. 1; FIG. 3 is a top view of the thermostat shown in FIG. 1 (a bottom view of the thermostat of FIG. 1 is omitted as the bottom view is a mirror image of the top view); FIG. 4 is first side view of the thermostat shown in FIG. 1; FIG. 5 is a second side view of the thermostat shown in FIG. 1; FIG. 6 is an elevated perspective view of a second embodiment of a thermostat, according to our new design; FIG. 7 is a front view of the thermostat shown in FIG. 6; FIG. 8 is a top view of the thermostat shown in FIG. 6 (a bottom view of the thermostat of FIG. 6 is omitted as the bottom view is a mirror image of the top view); FIG. 9 is first side view of the thermostat shown in FIG. 6; FIG. 10 is a second side view of the thermostat shown in FIG. 6; FIG. 11 is an elevated perspective view of a third embodiment of a thermostat, according to our new design; FIG. 12 is a front view of the thermostat shown in FIG. 11; FIG. 13 is a top view of the thermostat shown in FIG. 11 (a bottom view of the thermostat of FIG. 11 is omitted as the bottom view is a mirror image of the top view); FIG. 14 is first side view of the thermostat shown in FIG. 11; FIG. 15 is a second side view of the thermostat shown in FIG. 11;

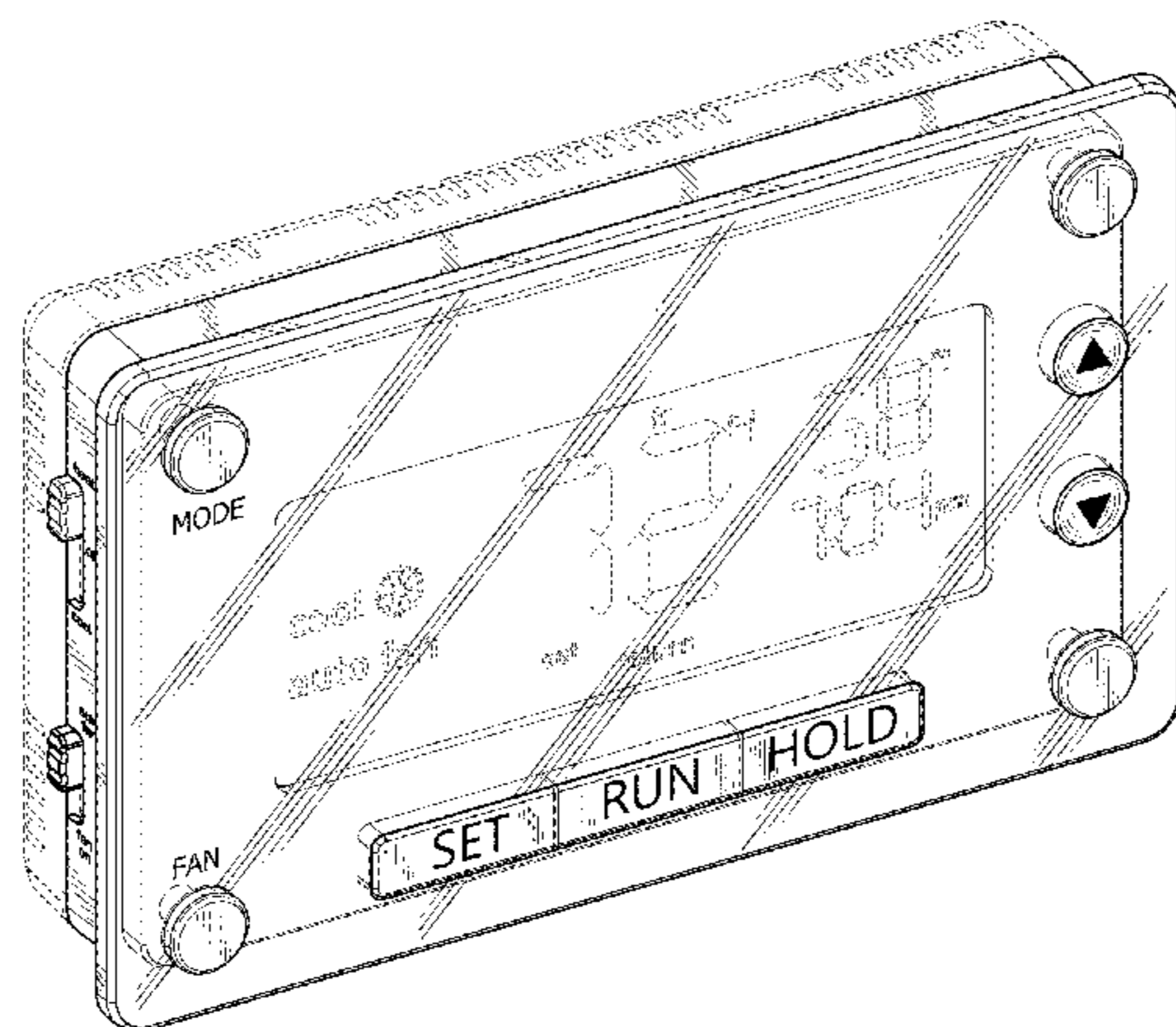


FIG. 16 is an elevated perspective view of a fourth embodiment of a thermostat, according to our new design;
 FIG. 17 is a front view of the thermostat shown in FIG. 16;
 FIG. 18 is a top view of the thermostat shown in FIG. 16 (a bottom view of the thermostat of FIG. 16 is omitted as the bottom view is a mirror image of the top view);
 FIG. 19 is first side view of the thermostat shown in FIG. 16;
 FIG. 20 is a second side view of the thermostat shown in FIG. 16;
 FIG. 21 is an elevated perspective view of a fifth embodiment of a thermostat, according to our new design;
 FIG. 22 is a front view of the thermostat shown in FIG. 21;
 FIG. 23 is a top view of the thermostat shown in FIG. 21 (a bottom view of the thermostat of FIG. 21 is omitted as the bottom view is a mirror image of the top view);
 FIG. 24 is first side view of the thermostat shown in FIG. 21;
 FIG. 25 is a second side view of the thermostat shown in FIG. 21;
 FIG. 26 is an elevated perspective view of a sixth embodiment of a thermostat, according to our new design;
 FIG. 27 is a front view of the thermostat shown in FIG. 26;
 FIG. 28 is a top view of the thermostat shown in FIG. 26 (a bottom view of the thermostat of FIG. 26 is omitted as the bottom view is a mirror image of the top view);
 FIG. 29 is first side view of the thermostat shown in FIG. 26;
 FIG. 30 is a second side view of the thermostat shown in FIG. 26;
 FIG. 31 is an elevated perspective view of a seventh embodiment of a thermostat, according to our new design;
 FIG. 32 is a front view of the thermostat shown in FIG. 31;
 FIG. 33 is a top view of the thermostat shown in FIG. 31 (a bottom view of the thermostat of FIG. 31 is omitted as the bottom view is a mirror image of the top view);
 FIG. 34 is first side view of the thermostat shown in FIG. 31;
 FIG. 35 is a second side view of the thermostat shown in FIG. 31;
 FIG. 36 is an elevated perspective view of a eighth embodiment of a thermostat, according to our new design;
 FIG. 37 is a front view of the thermostat shown in FIG. 36;
 FIG. 38 is a top view of the thermostat shown in FIG. 36 (a bottom view of the thermostat of FIG. 36 is omitted as the bottom view is a mirror image of the top view);
 FIG. 39 is first side view of the thermostat shown in FIG. 36;
 FIG. 40 is a second side view of the thermostat shown in FIG. 36;
 FIG. 41 is an elevated perspective view of a ninth embodiment of a thermostat, according to our new design;
 FIG. 42 is a front view of the thermostat shown in FIG. 41;
 FIG. 43 is a top view of the thermostat shown in FIG. 41 (a bottom view of the thermostat of FIG. 41 is omitted as the bottom view is a mirror image of the top view);
 FIG. 44 is first side view of the thermostat shown in FIG. 41;

FIG. 45 is a second side view of the thermostat shown in FIG. 41;
 FIG. 46 is an elevated perspective view of a tenth embodiment of a thermostat, according to our new design;
 FIG. 47 is a front view of the thermostat shown in FIG. 46;
 FIG. 48 is a top view of the thermostat shown in FIG. 46 (a bottom view of the thermostat of FIG. 46 is omitted as the bottom view is a mirror image of the top view);
 FIG. 49 is first side view of the thermostat shown in FIG. 46;
 FIG. 50 is a second side view of the thermostat shown in FIG. 46;
 FIG. 51 is an elevated perspective view of a eleventh embodiment of a thermostat, according to our new design;
 FIG. 52 is a front view of the thermostat shown in FIG. 51;
 FIG. 53 is a top view of the thermostat shown in FIG. 51 (a bottom view of the thermostat of FIG. 51 is omitted as the bottom view is a mirror image of the top view);
 FIG. 54 is first side view of the thermostat shown in FIG. 51;
 FIG. 55 is a second side view of the thermostat shown in FIG. 51;
 FIG. 56 is an elevated perspective view of a twelfth embodiment of a thermostat, according to our new design;
 FIG. 57 is a front view of the thermostat shown in FIG. 56;
 FIG. 58 is a top view of the thermostat shown in FIG. 56 (a bottom view of the thermostat of FIG. 56 is omitted as the bottom view is a mirror image of the top view);
 FIG. 59 is first side view of the thermostat shown in FIG. 56;
 FIG. 60 is a second side view of the thermostat shown in FIG. 56;
 FIG. 61 is an elevated perspective view of a thirteenth embodiment of a thermostat, according to our new design;
 FIG. 62 is a front view of the thermostat shown in FIG. 61;
 FIG. 63 is a top view of the thermostat shown in FIG. 61 (a bottom view of the thermostat of FIG. 61 is omitted as the bottom view is a mirror image of the top view);
 FIG. 64 is first side view of the thermostat shown in FIG. 61;
 FIG. 65 is a second side view of the thermostat shown in FIG. 61;
 FIG. 66 is an elevated perspective view of a fourteenth embodiment of a thermostat, according to our new design;
 FIG. 67 is a front view of the thermostat shown in FIG. 66;
 FIG. 68 is a top view of the thermostat shown in FIG. 66 (a bottom view of the thermostat of FIG. 66 is omitted as the bottom view is a mirror image of the top view);
 FIG. 69 is first side view of the thermostat shown in FIGS. 66; and,
 FIG. 70 is a second side view of the thermostat shown in FIG. 66.
 The portions shown in broken lines comprise environmental structure only and form no part of the claimed design.

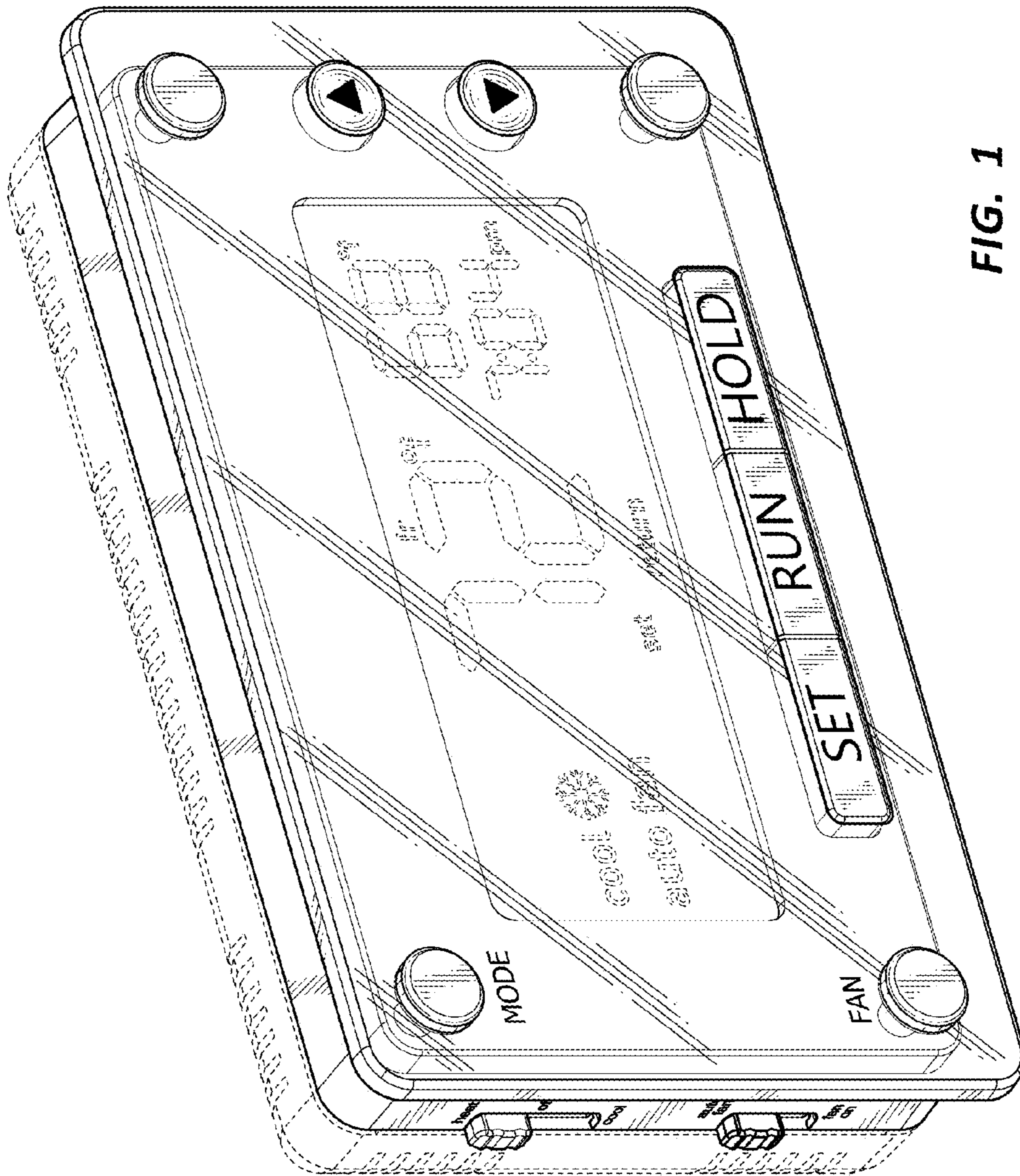


FIG. 1

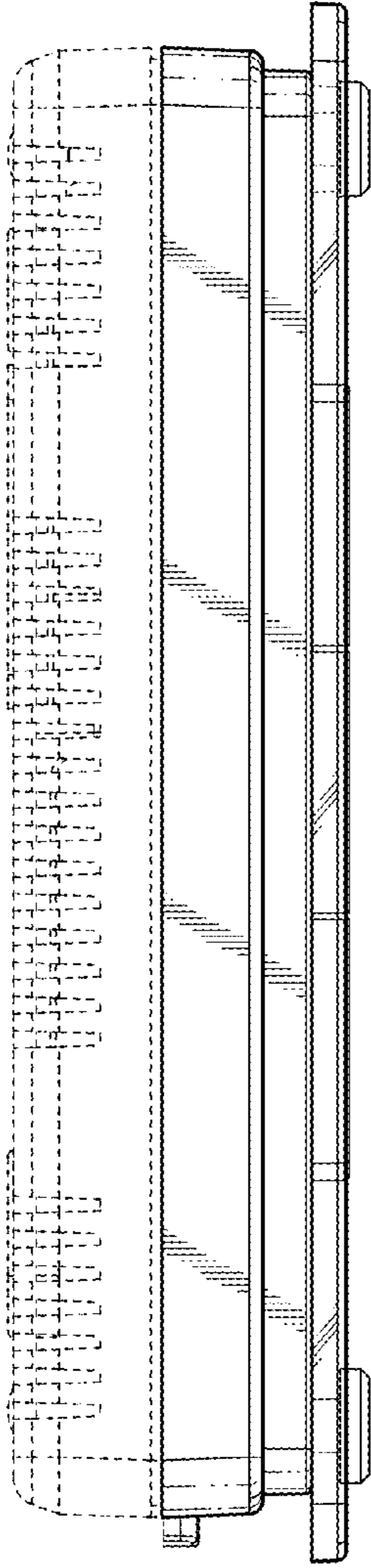


FIG. 3

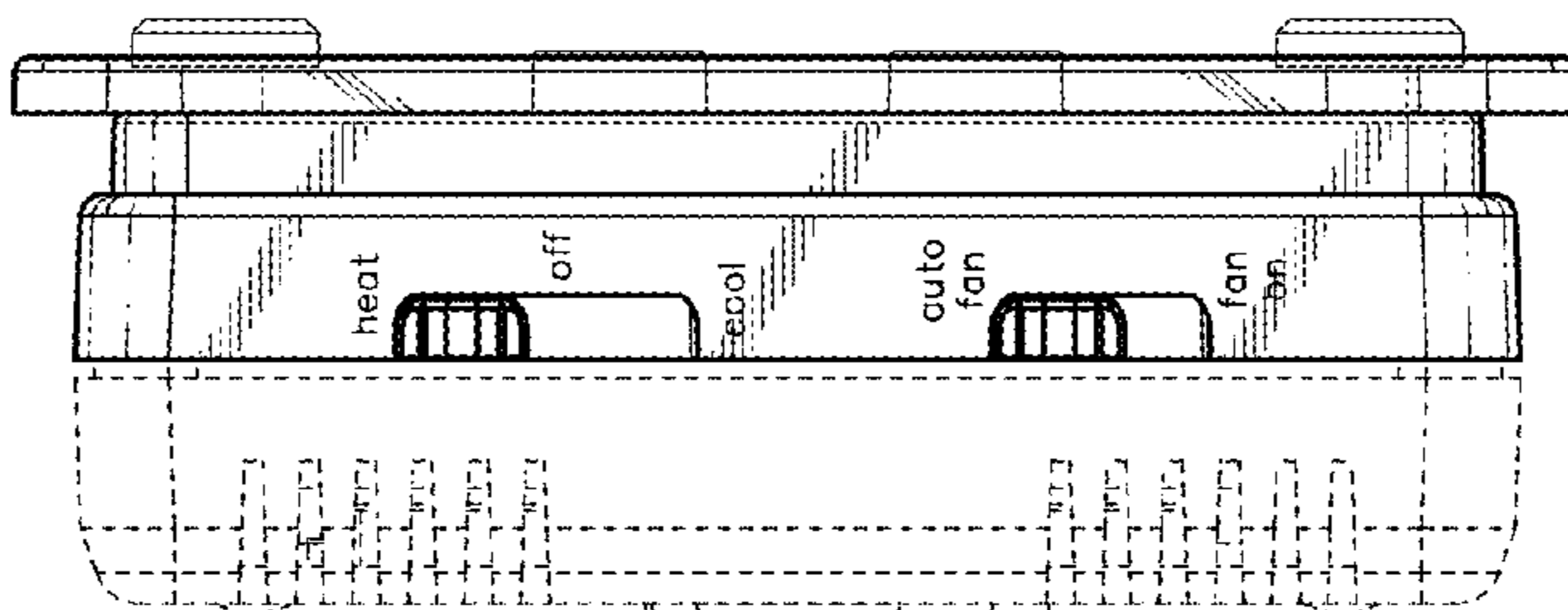


FIG. 4

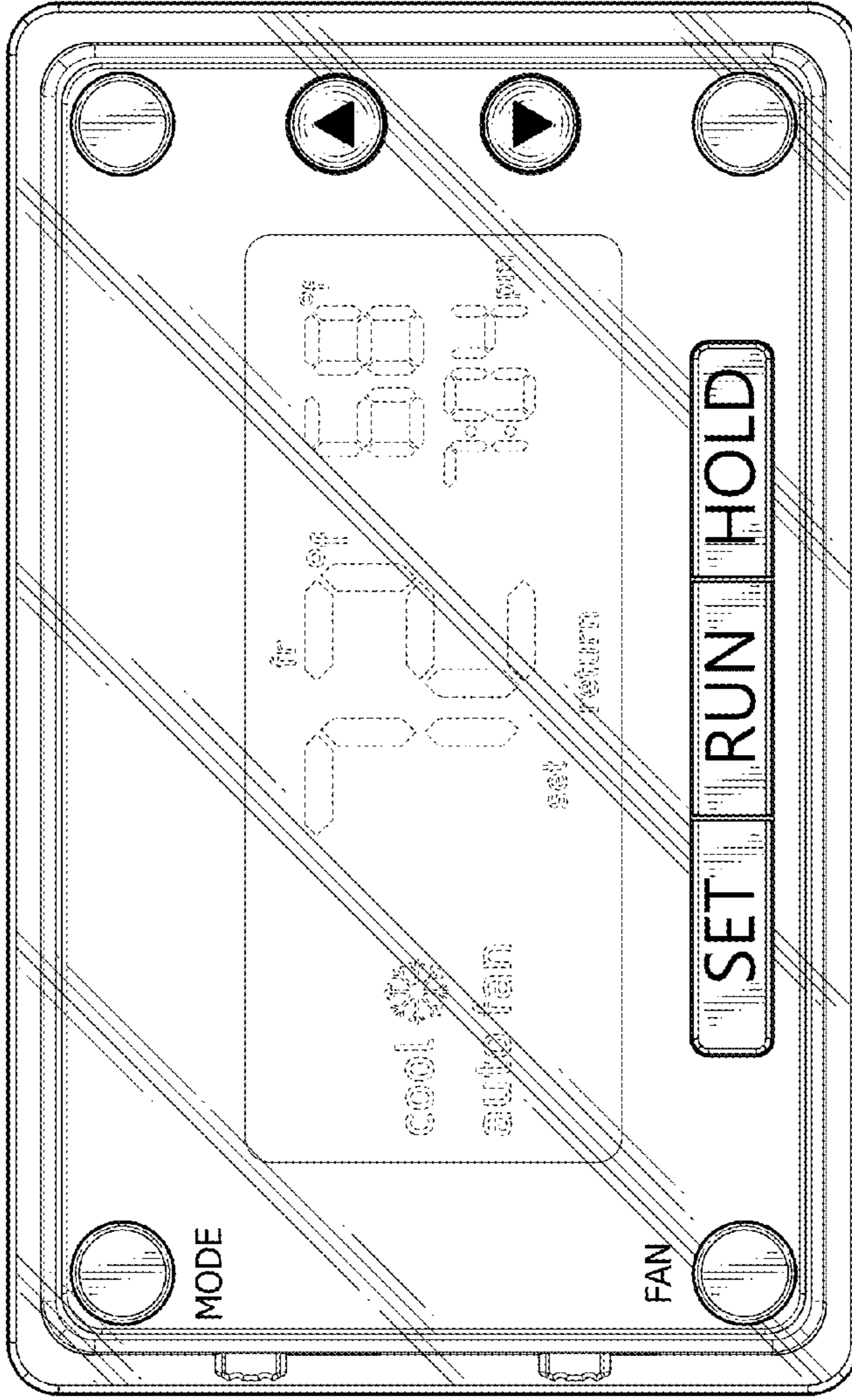


FIG. 2

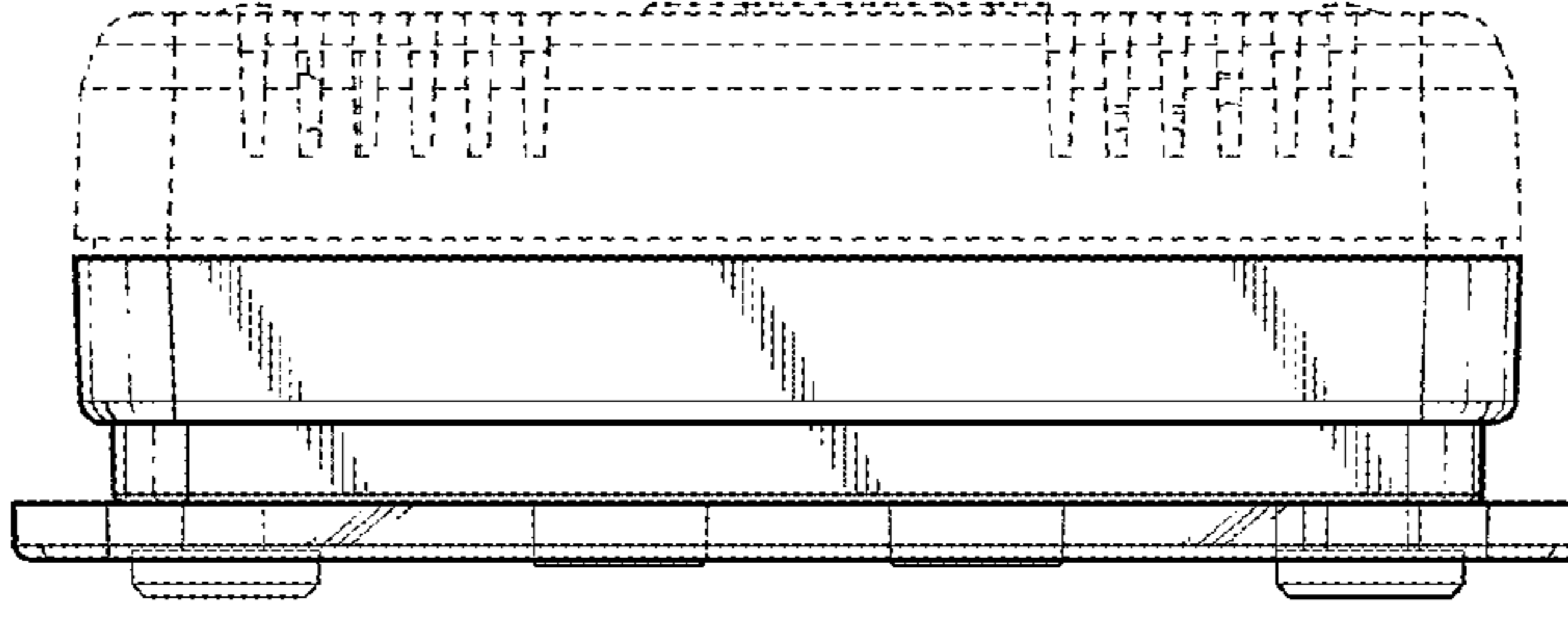


FIG. 5

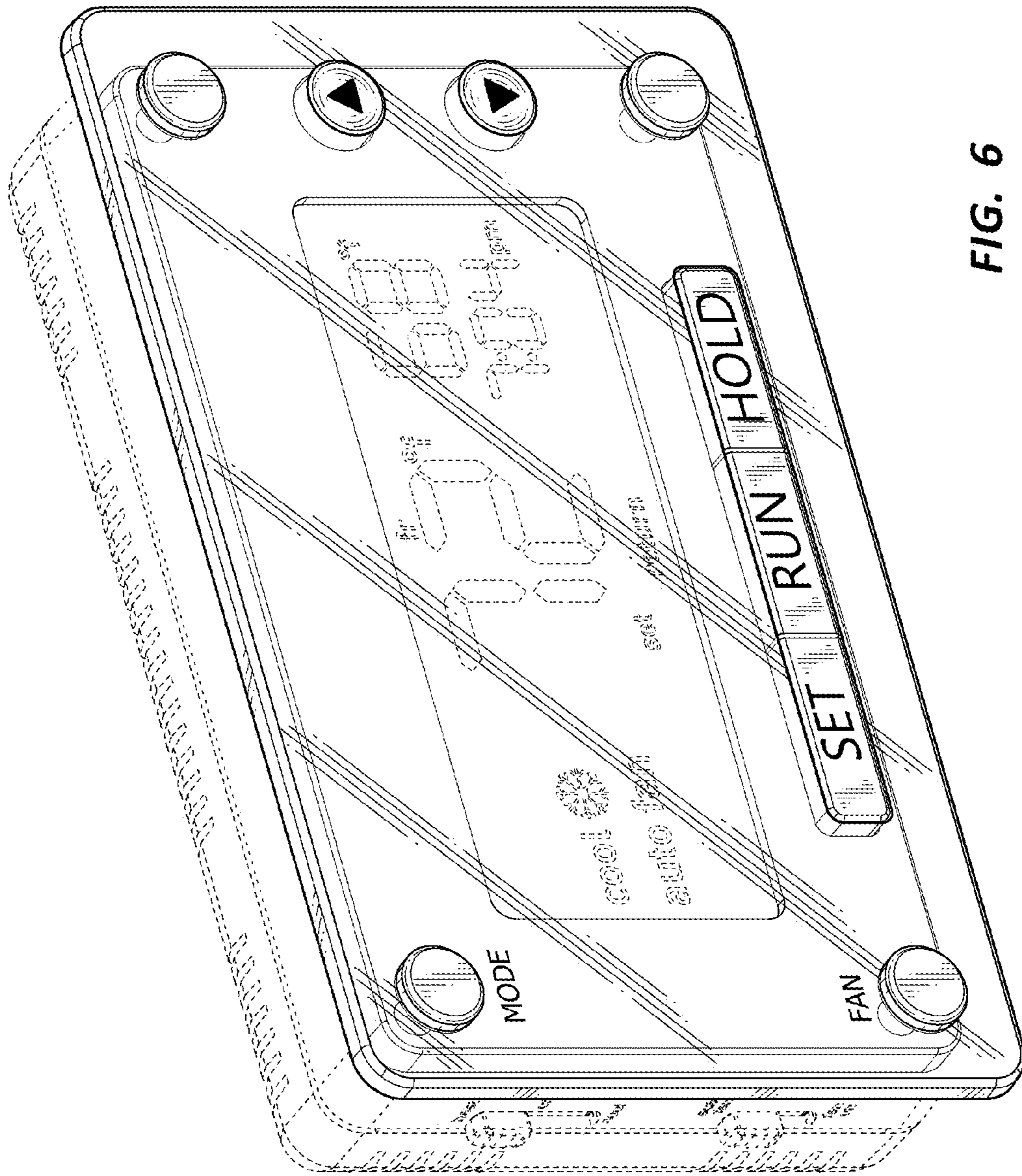


FIG. 6

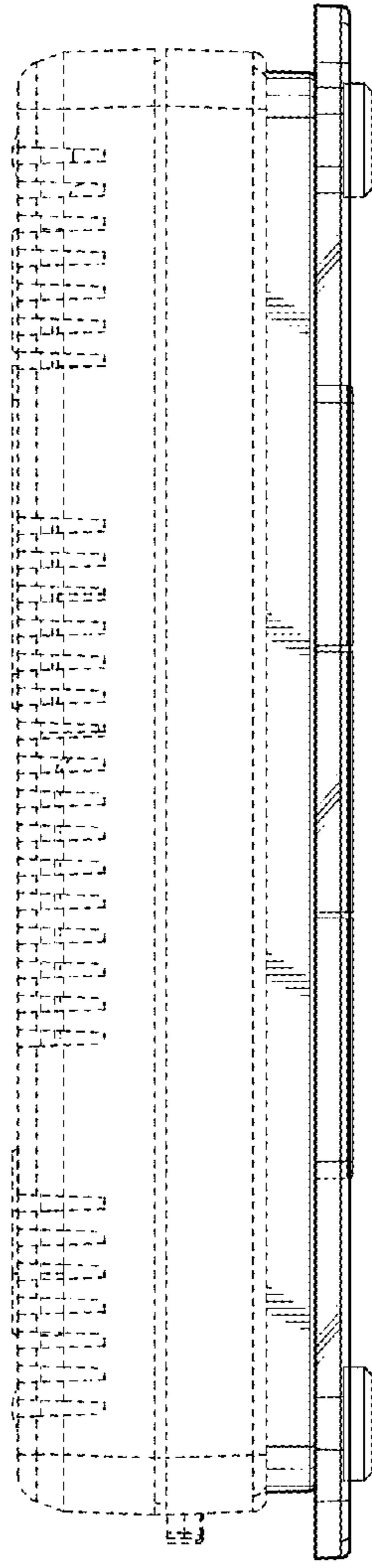


FIG. 8

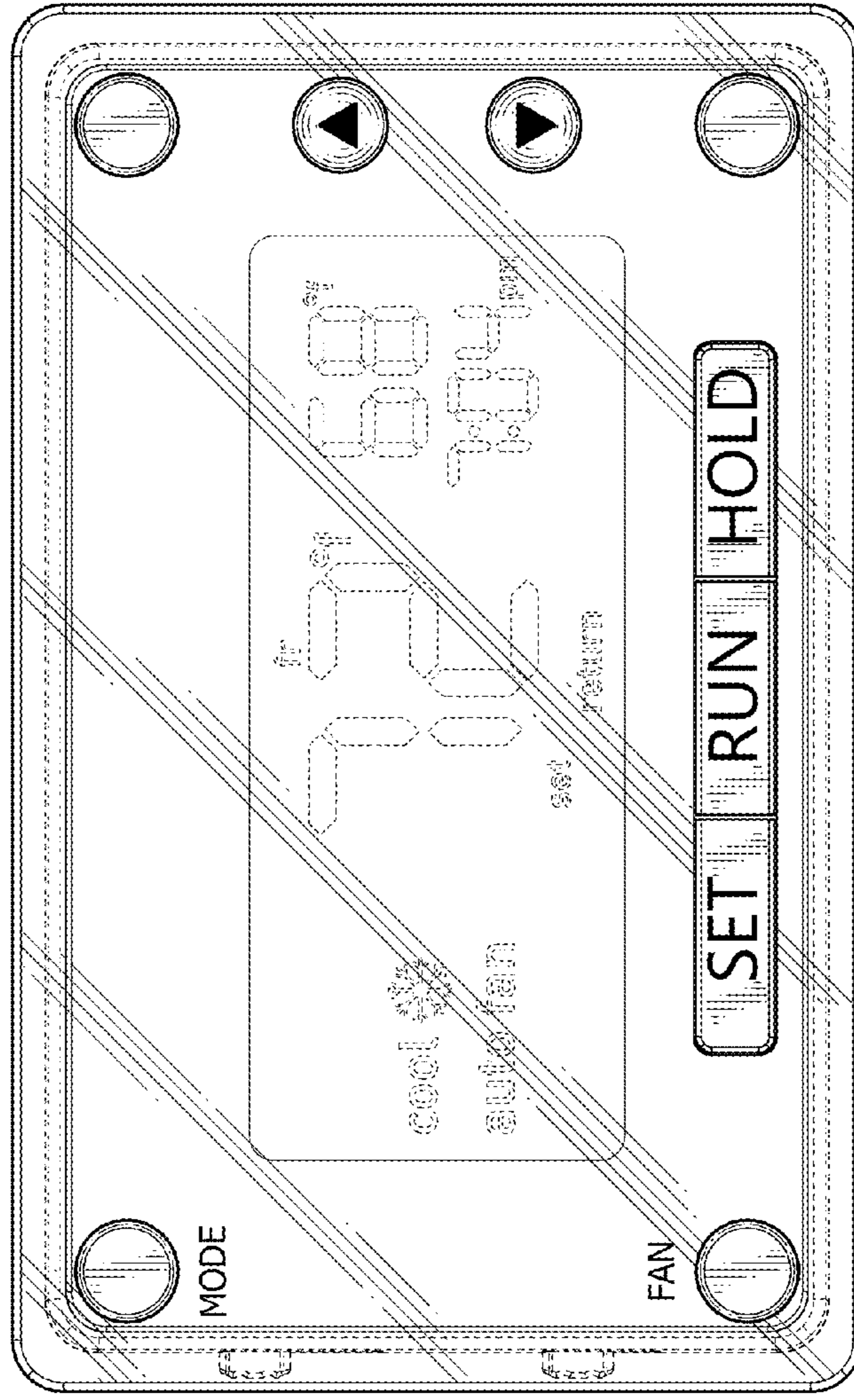


FIG. 9

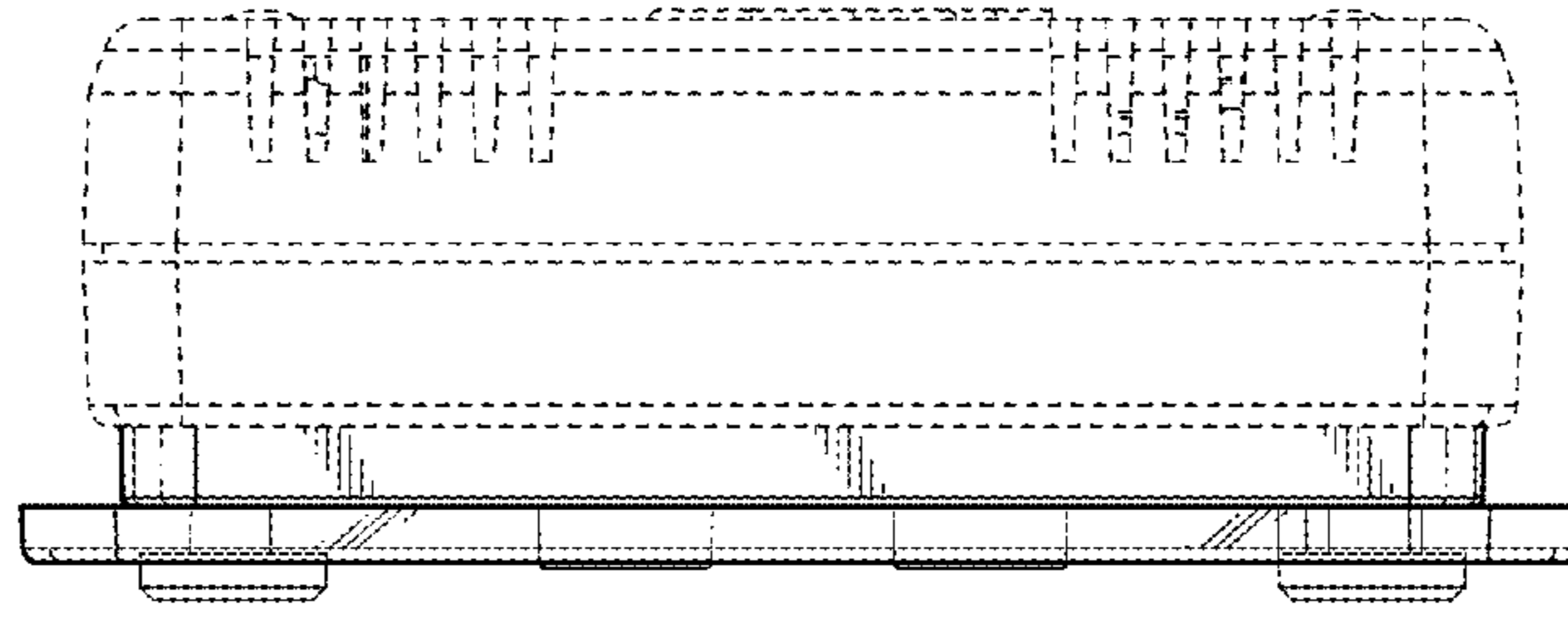


FIG. 10

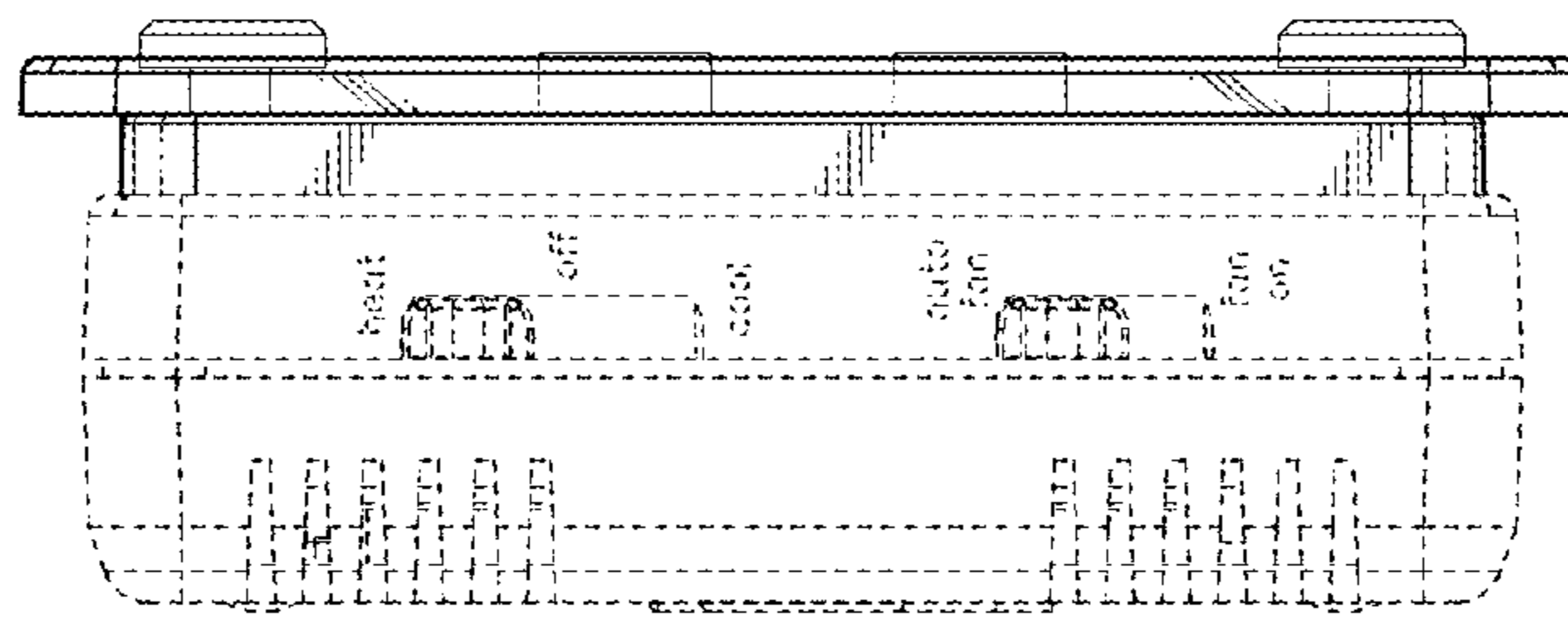


FIG. 7

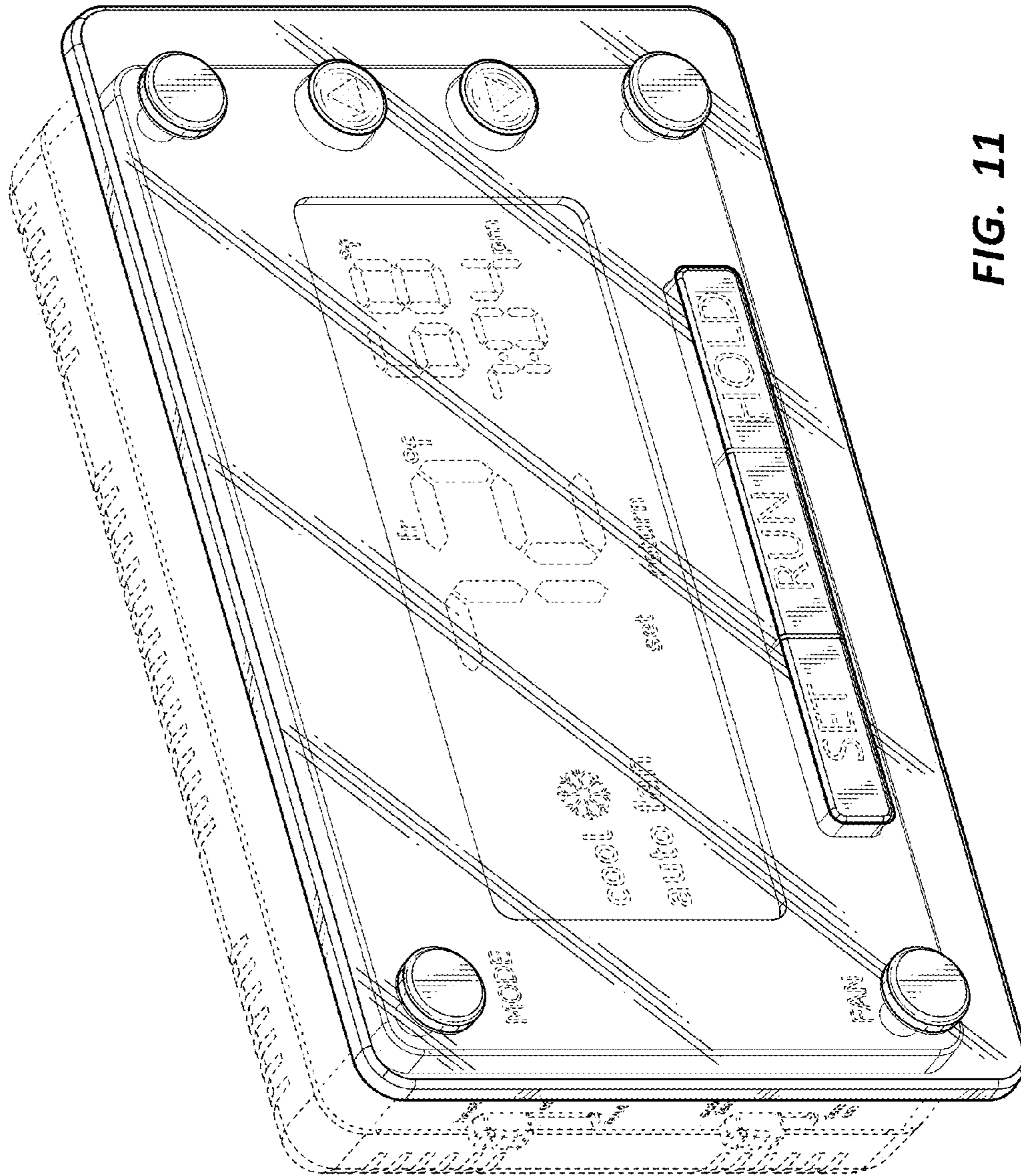


FIG. 11

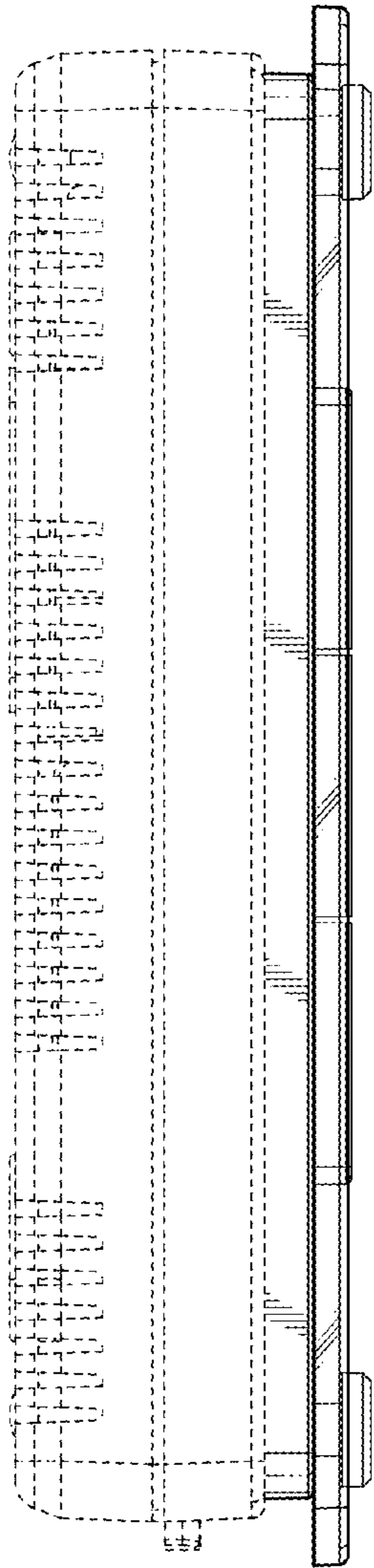


FIG. 13

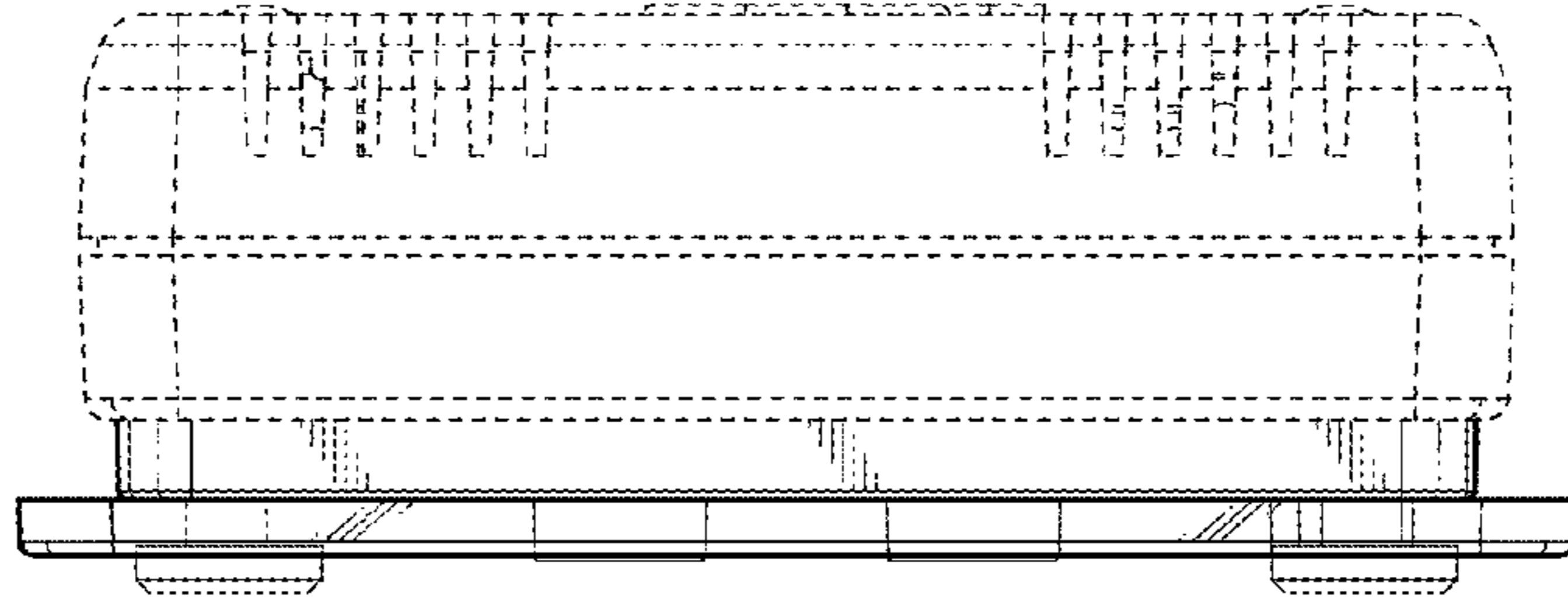


FIG. 15

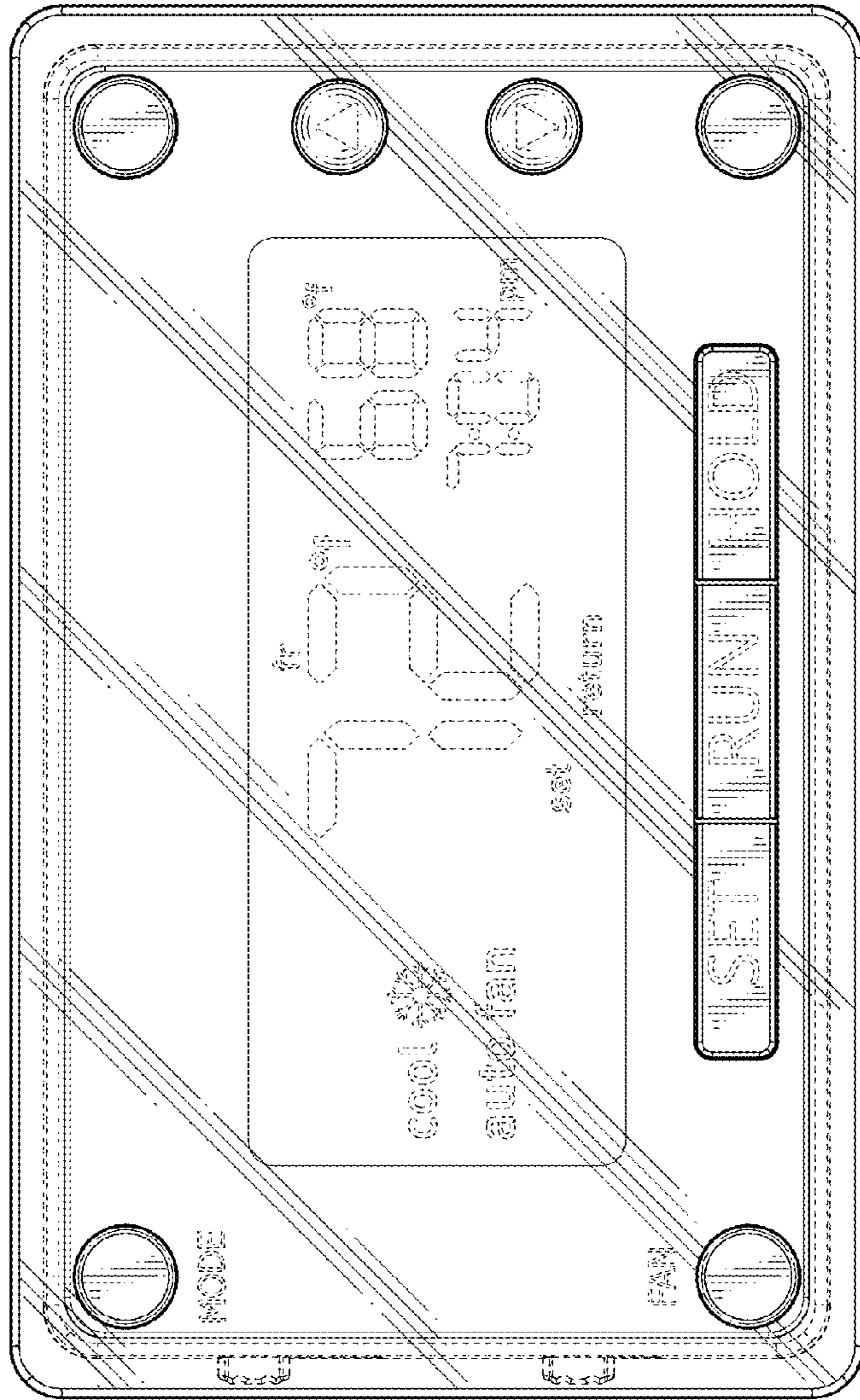


FIG. 12

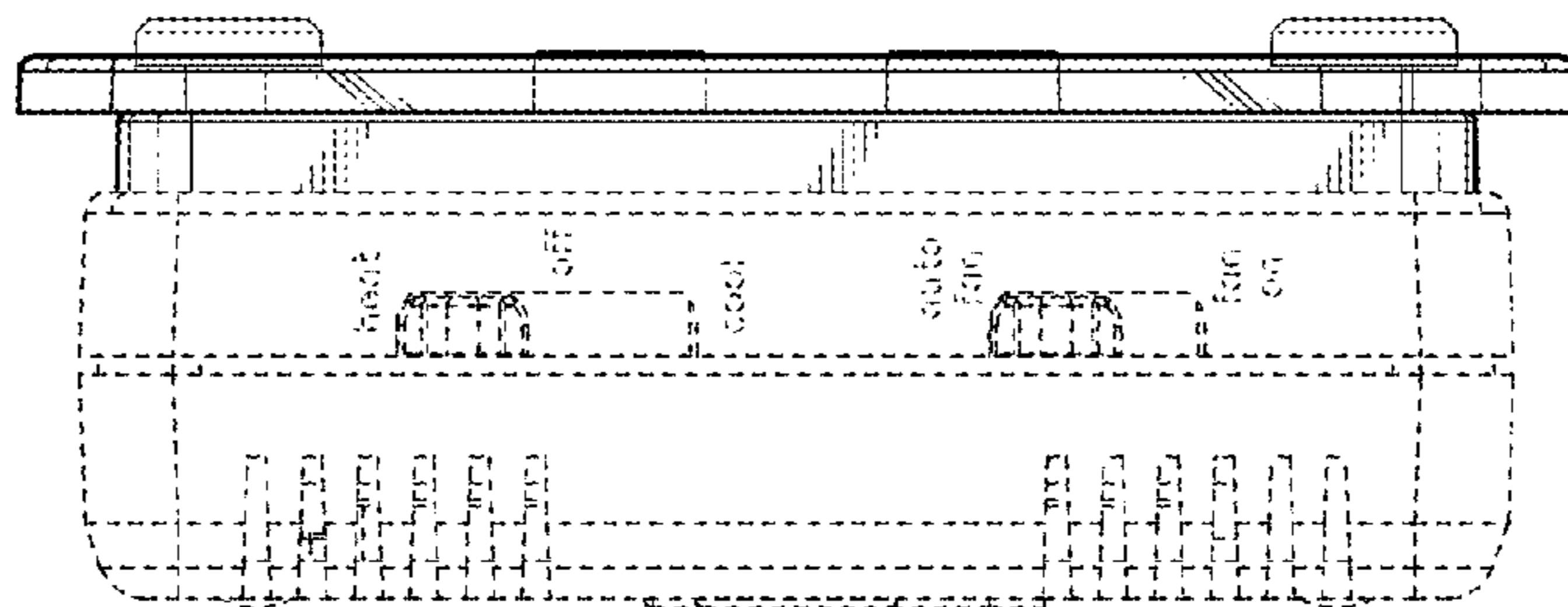


FIG. 14

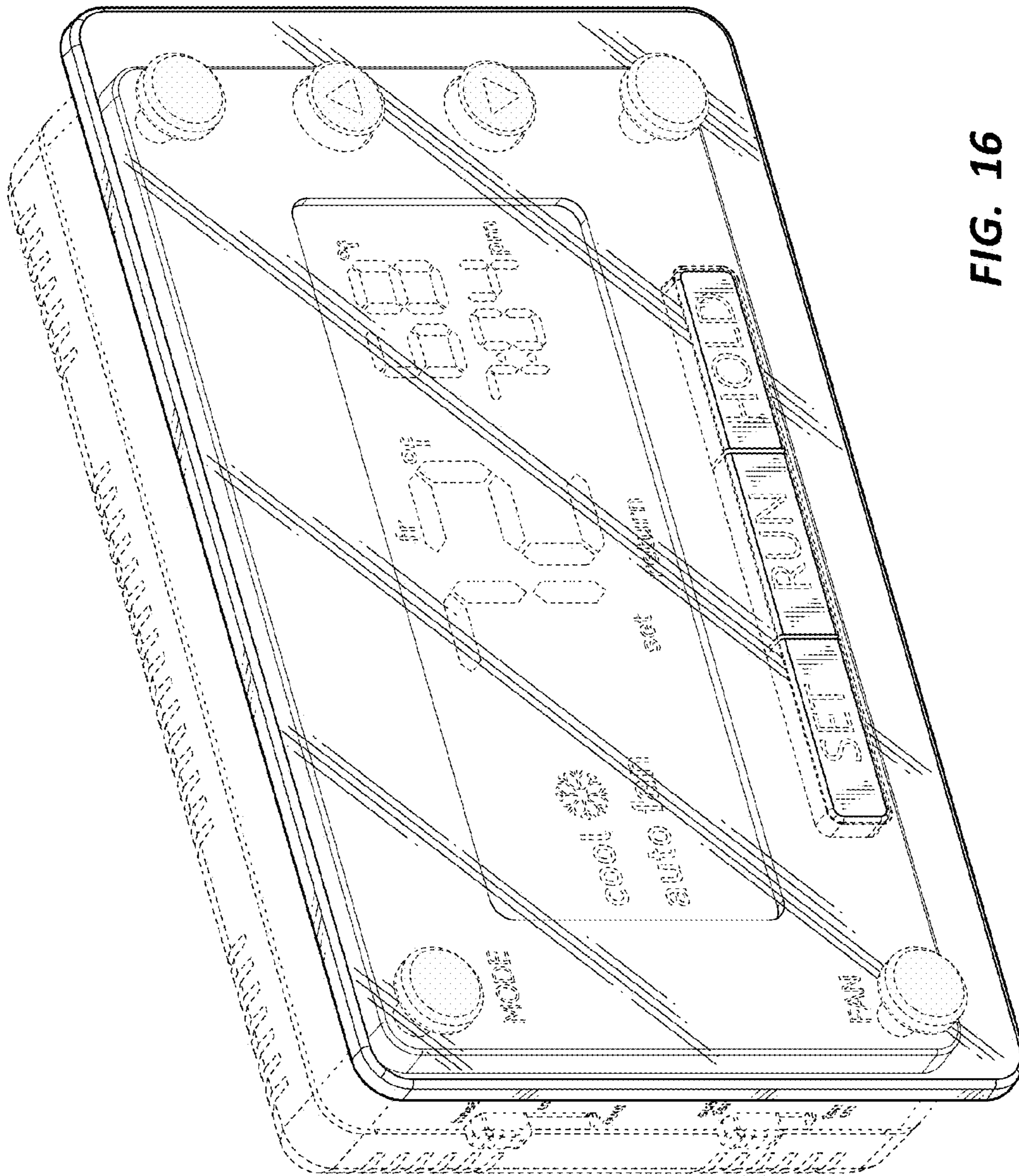


FIG. 16

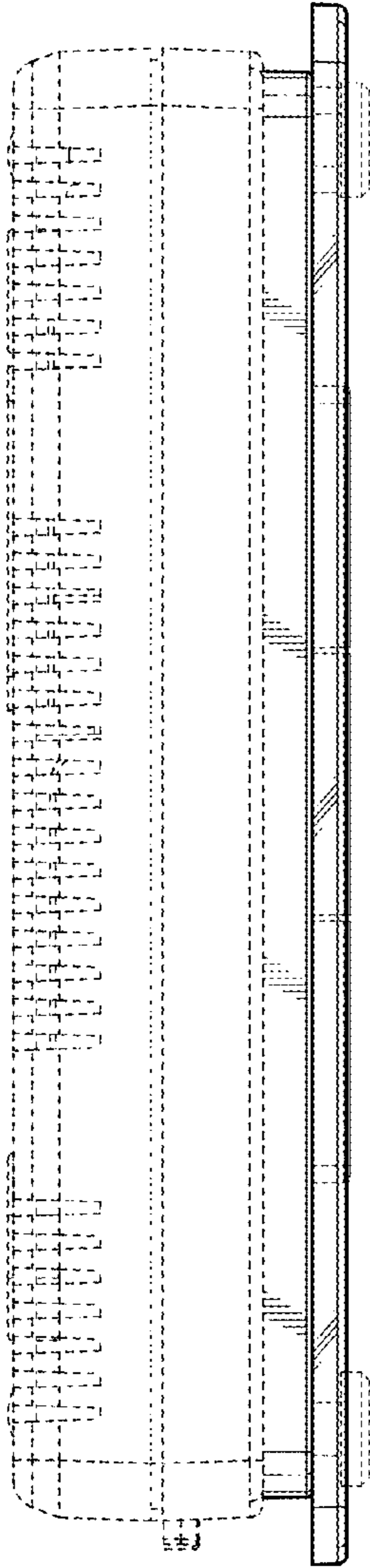


FIG. 18

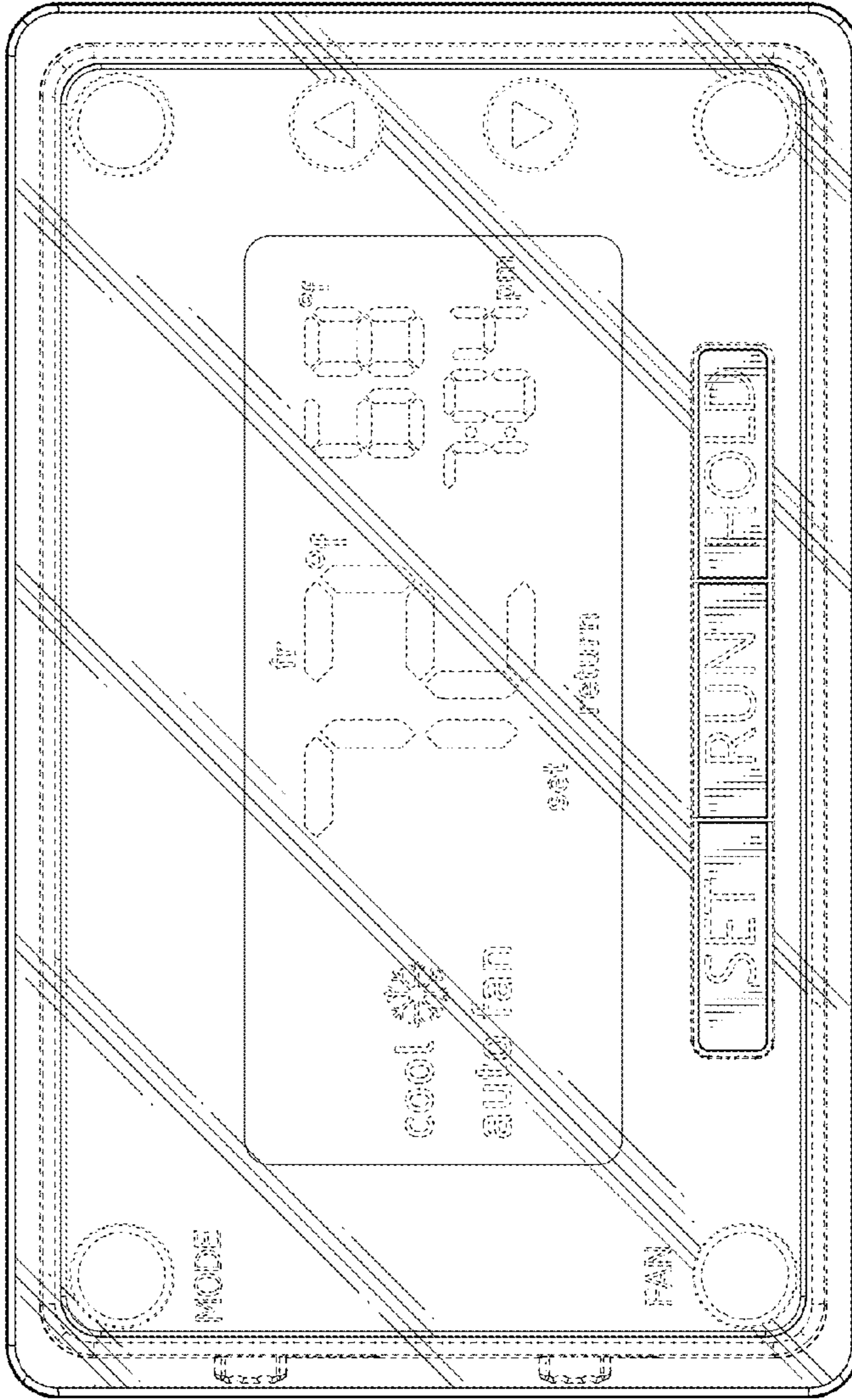


FIG. 17

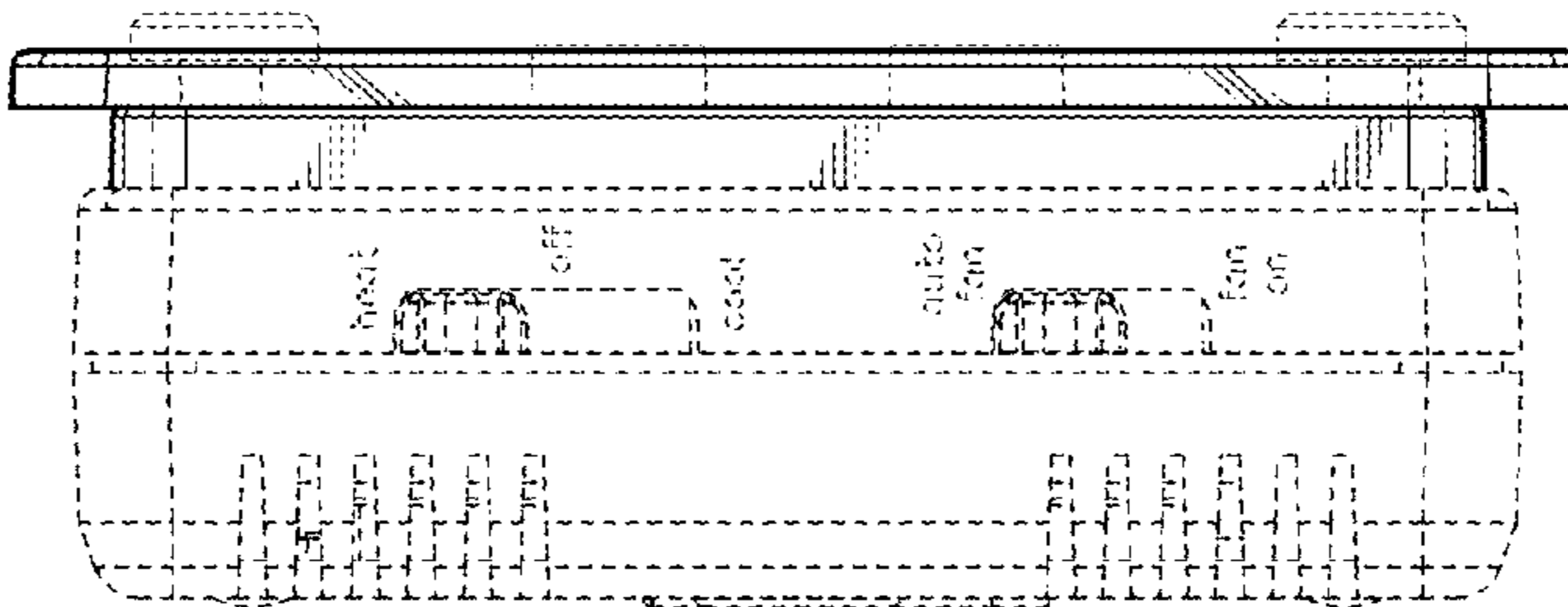


FIG. 19

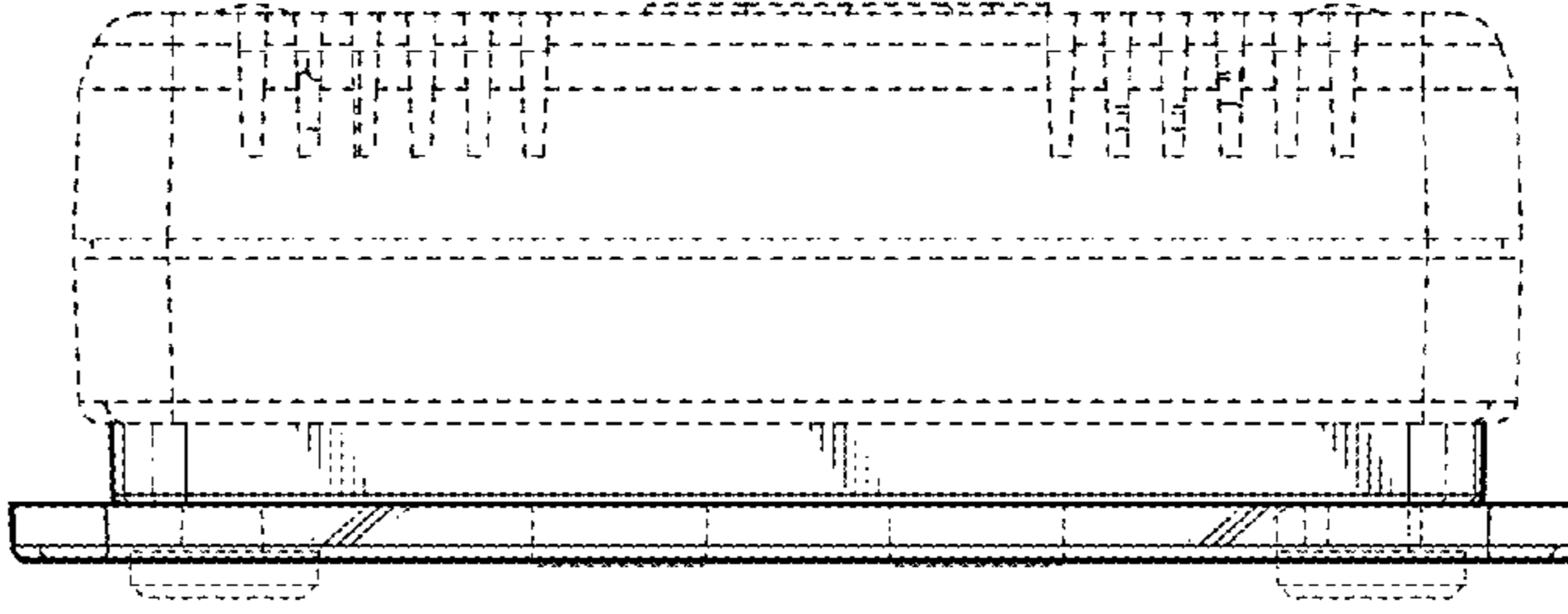


FIG. 20

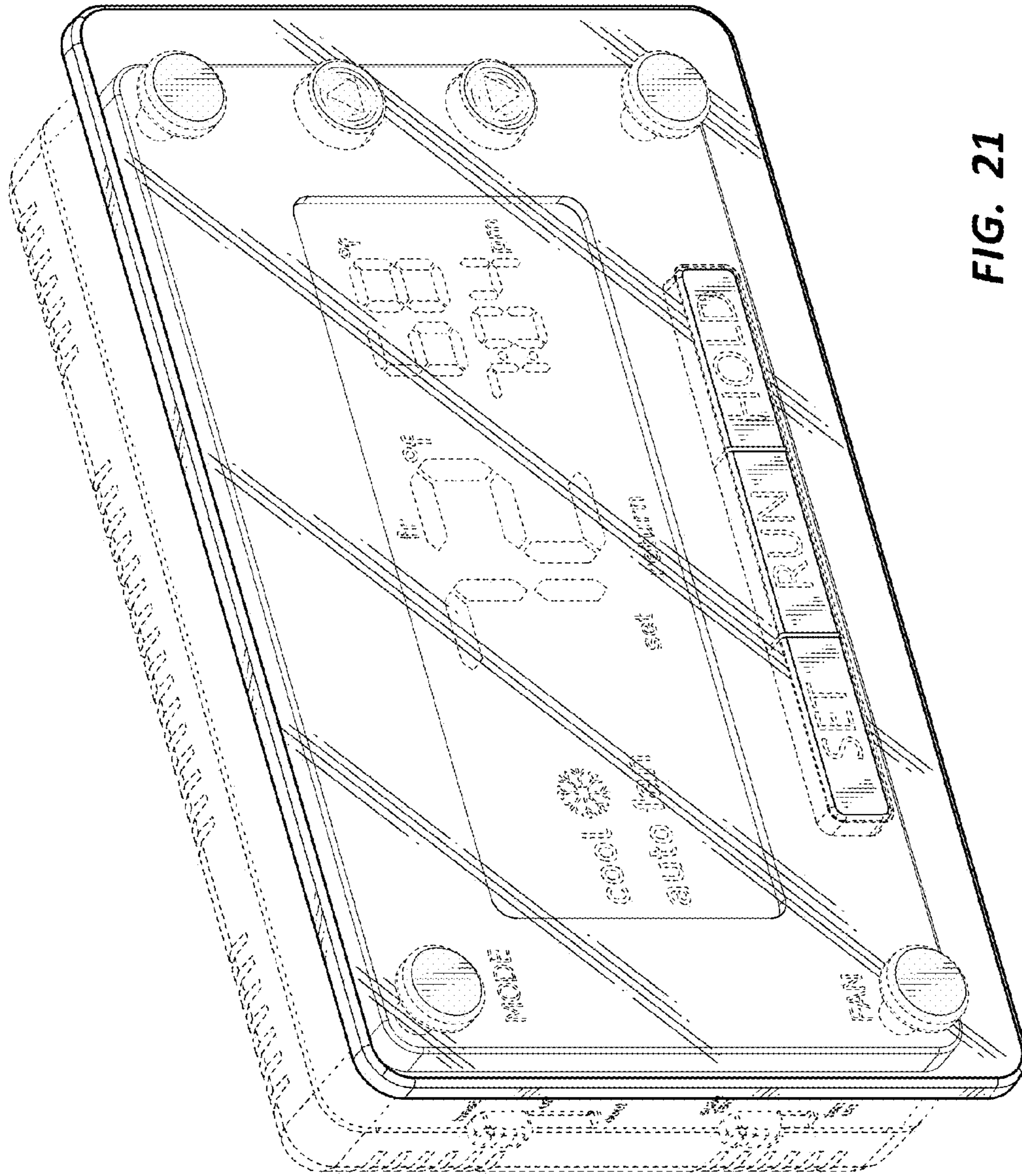


FIG. 21

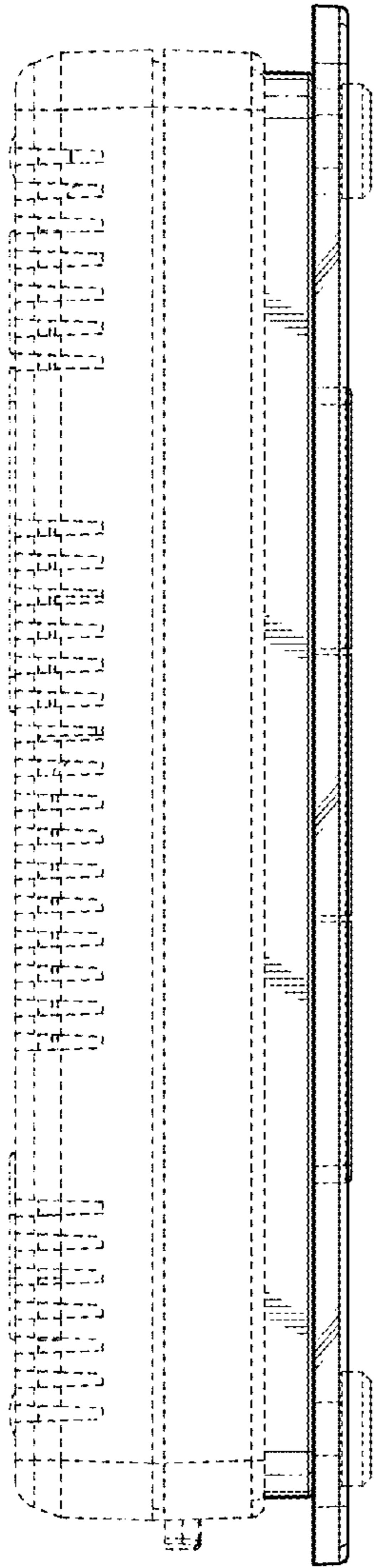


FIG. 23

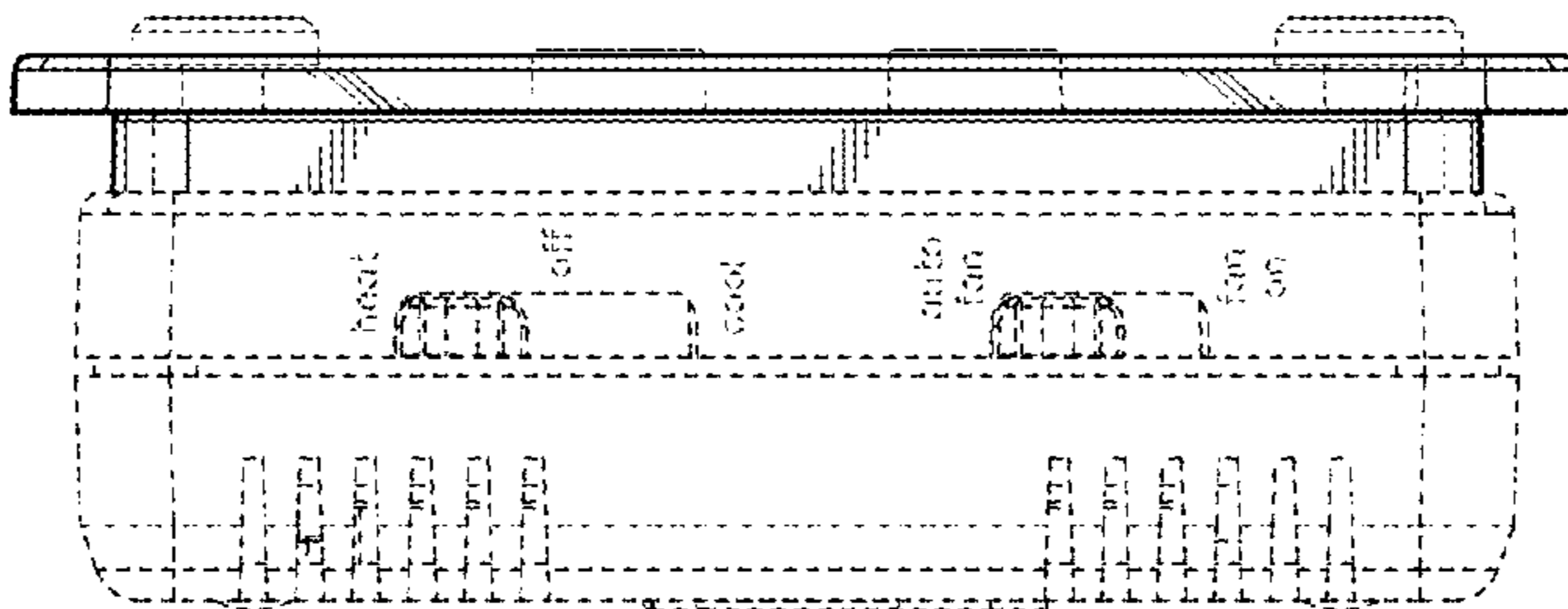


FIG. 24

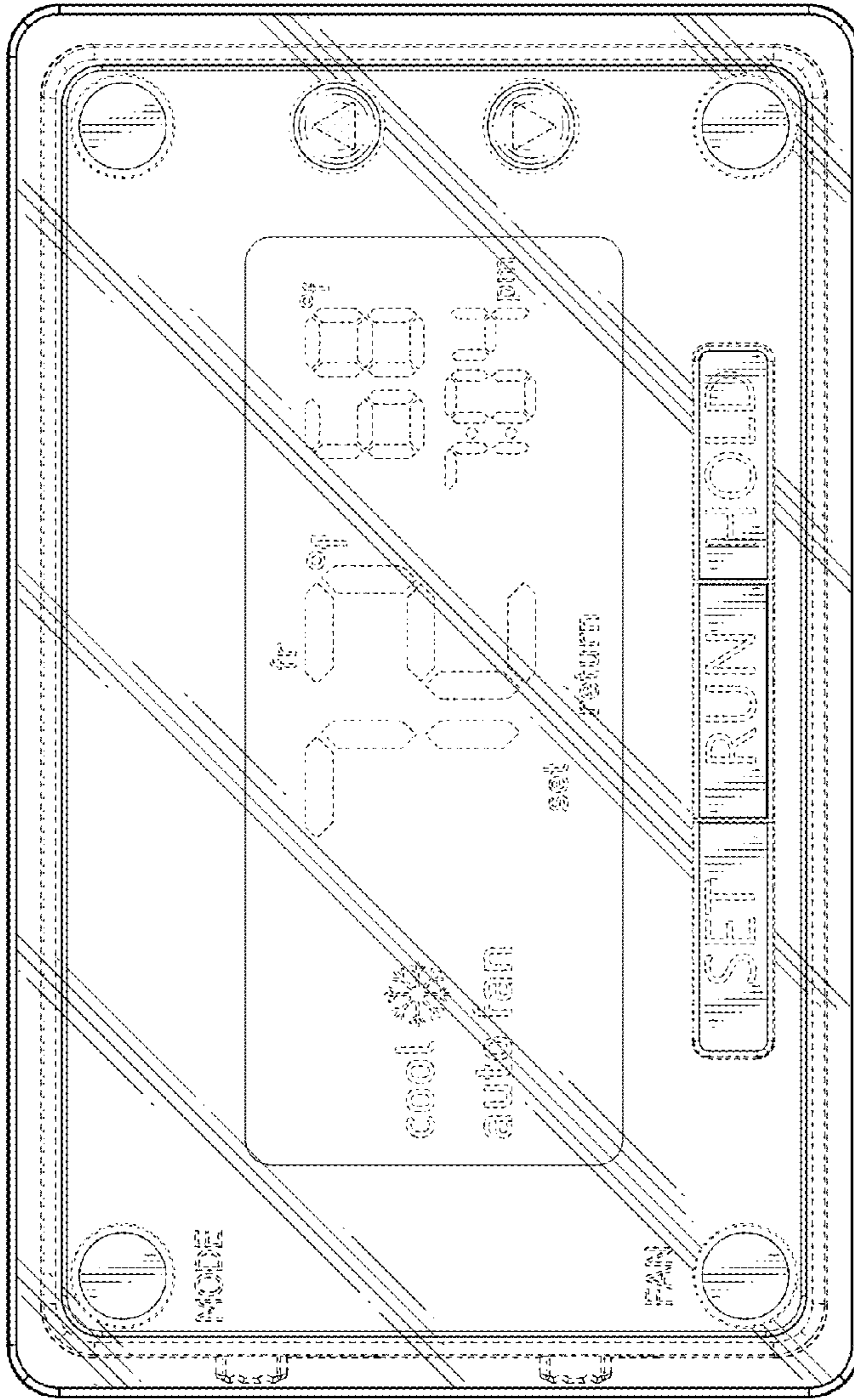


FIG. 22

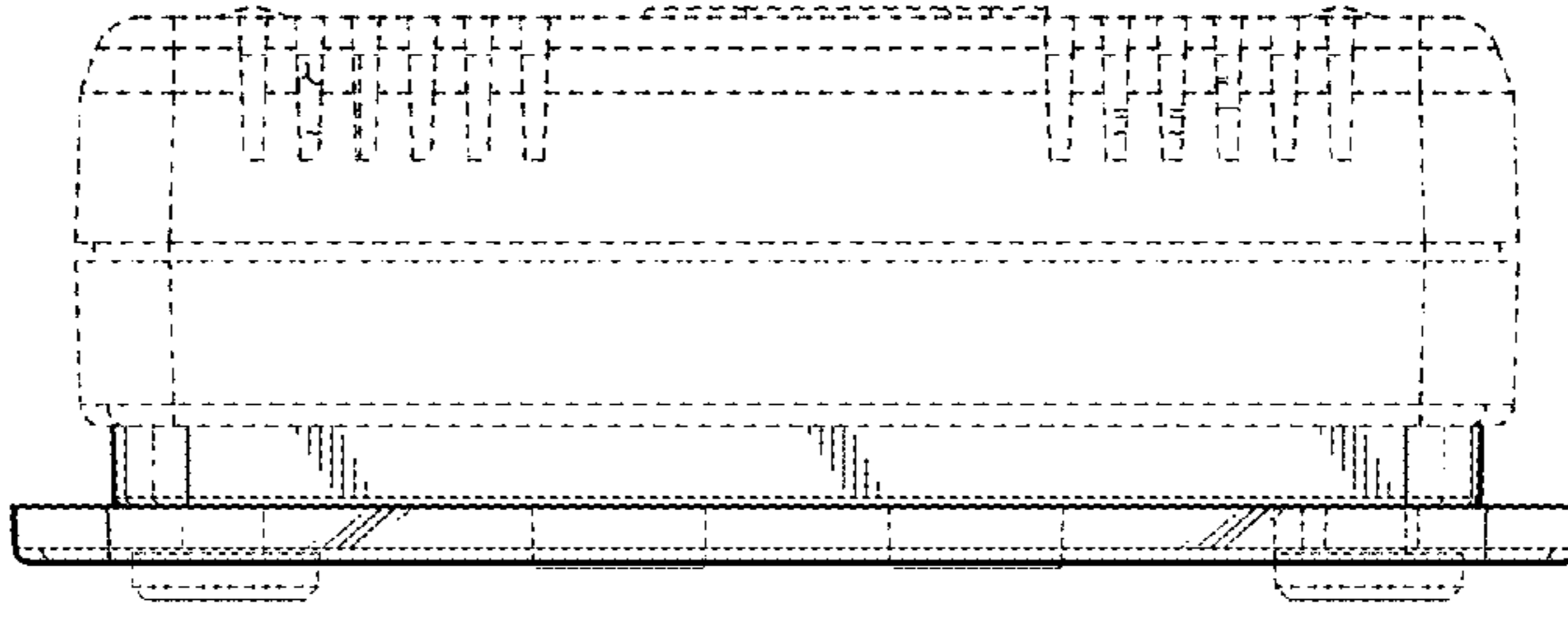


FIG. 25

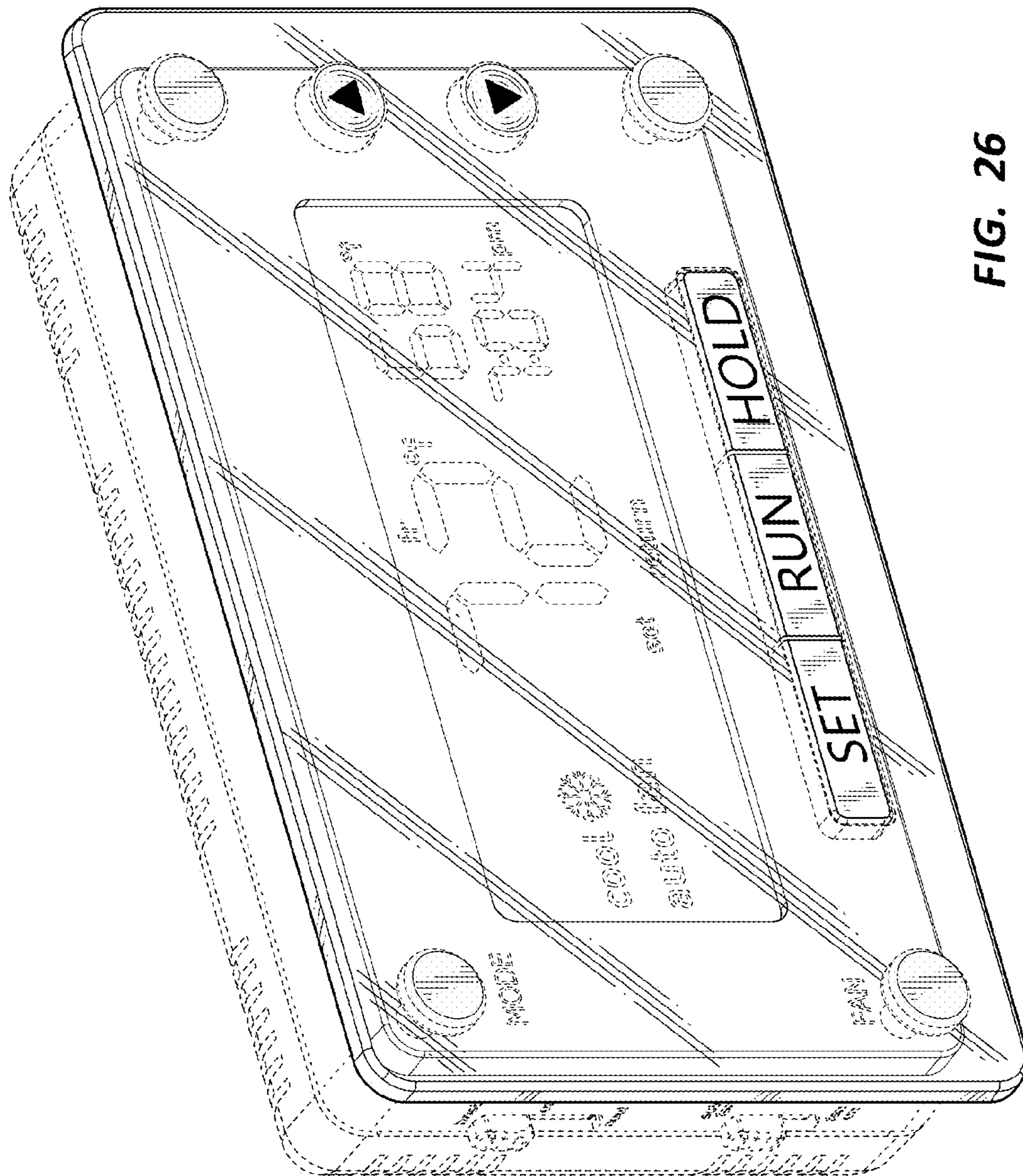


FIG. 26

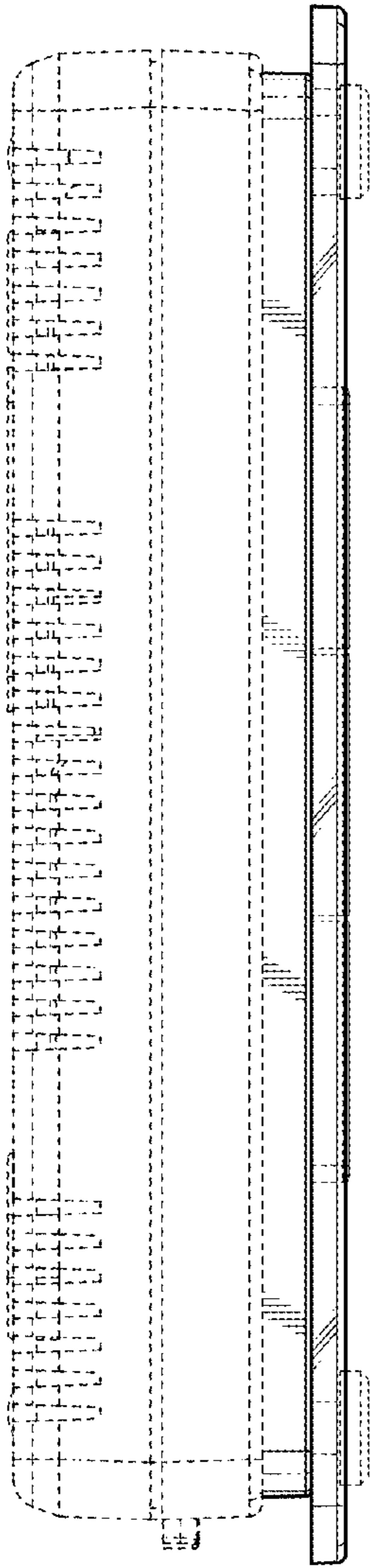


FIG. 28

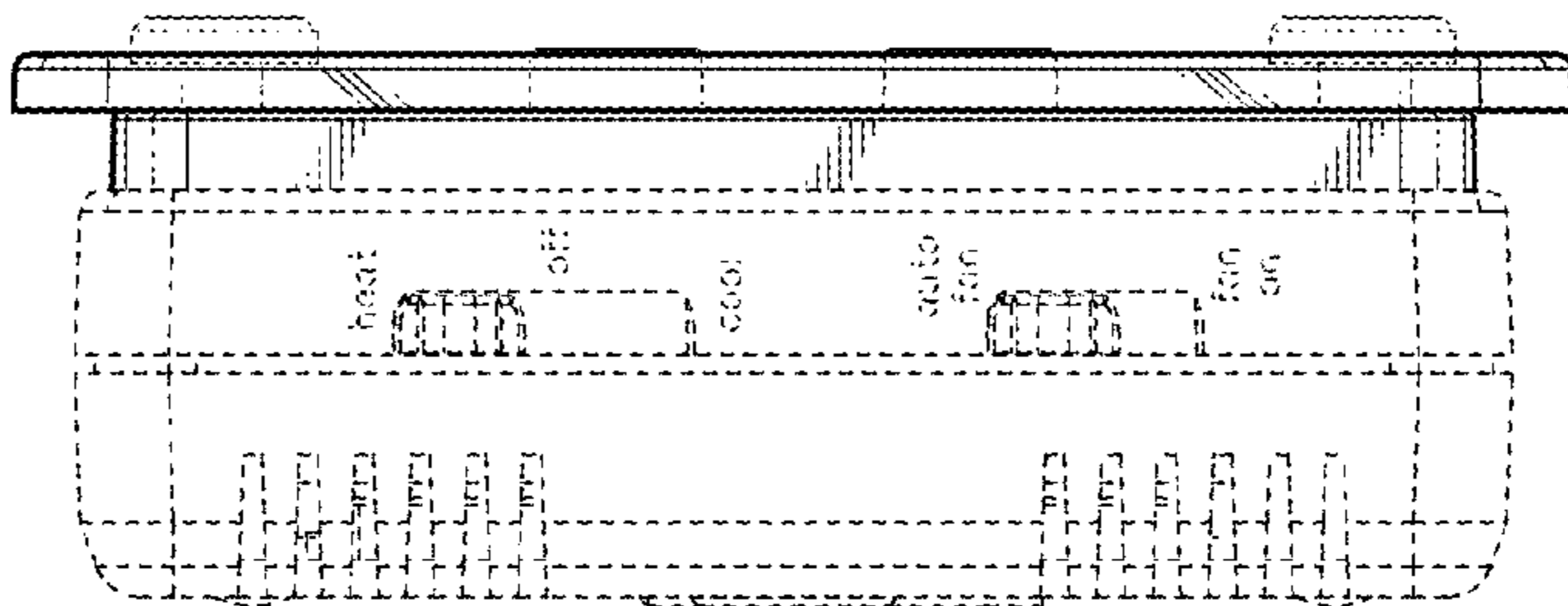


FIG. 29

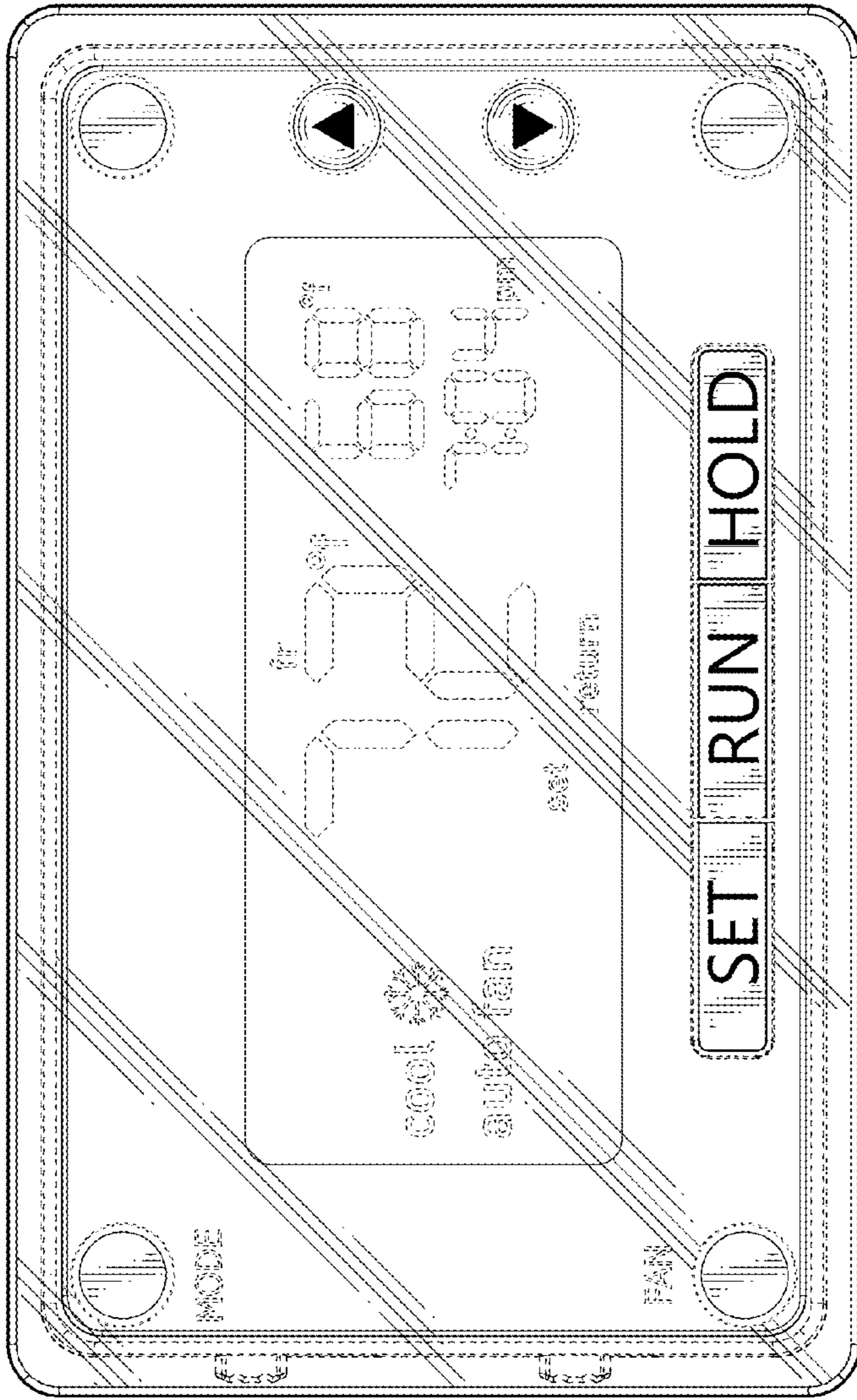


FIG. 30

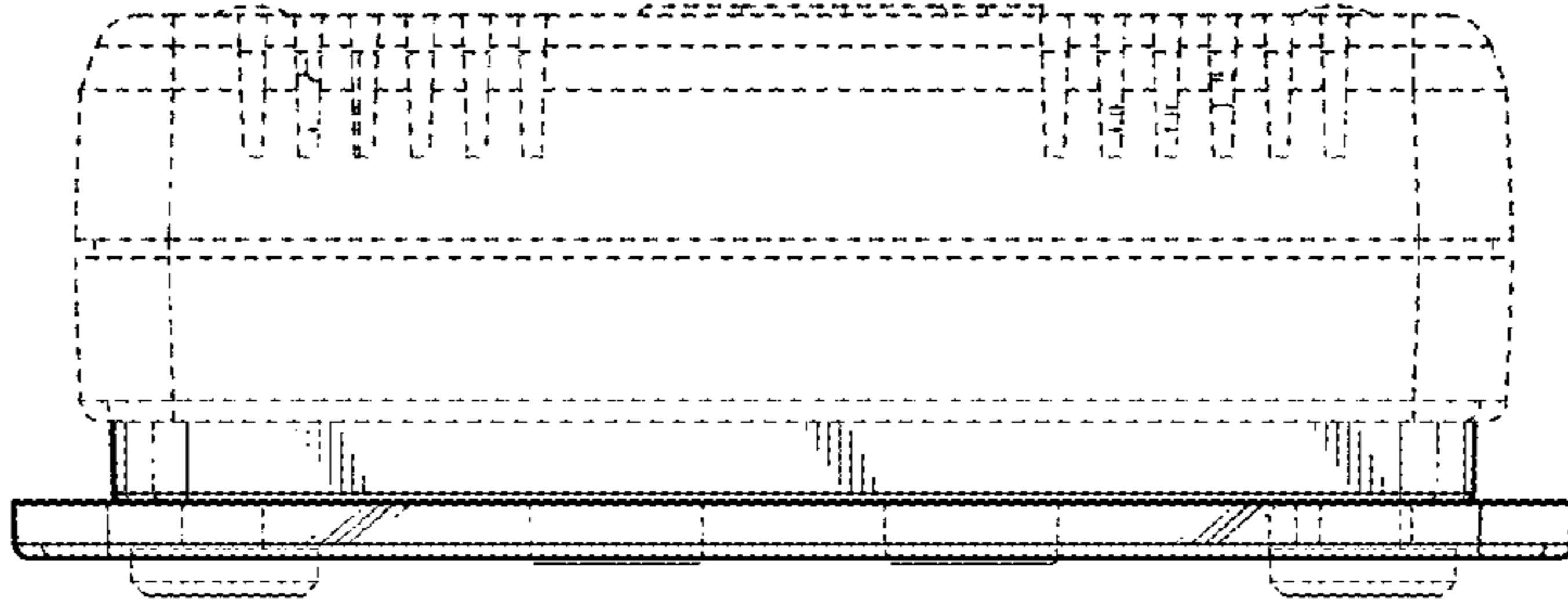


FIG. 31

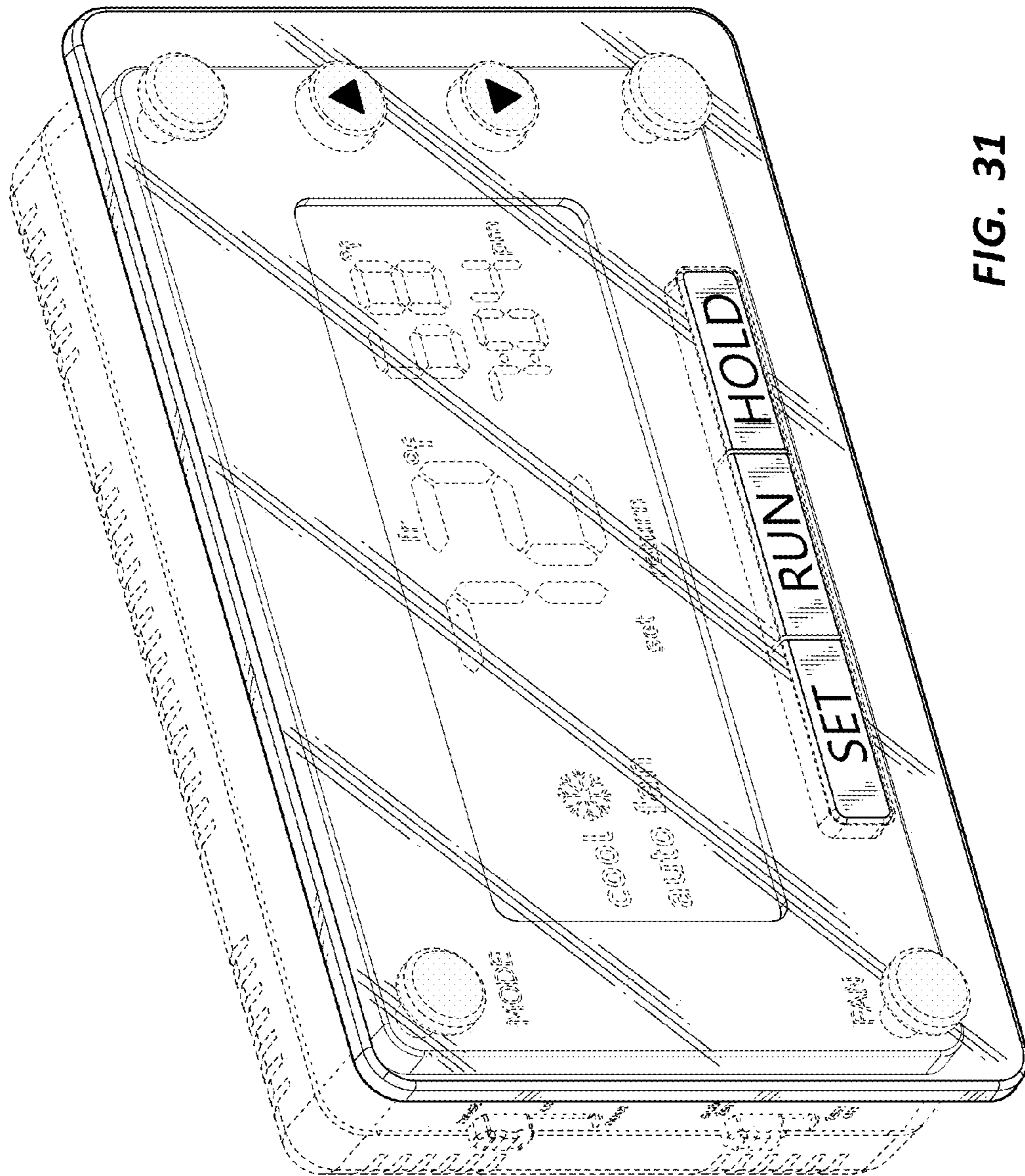


FIG. 31

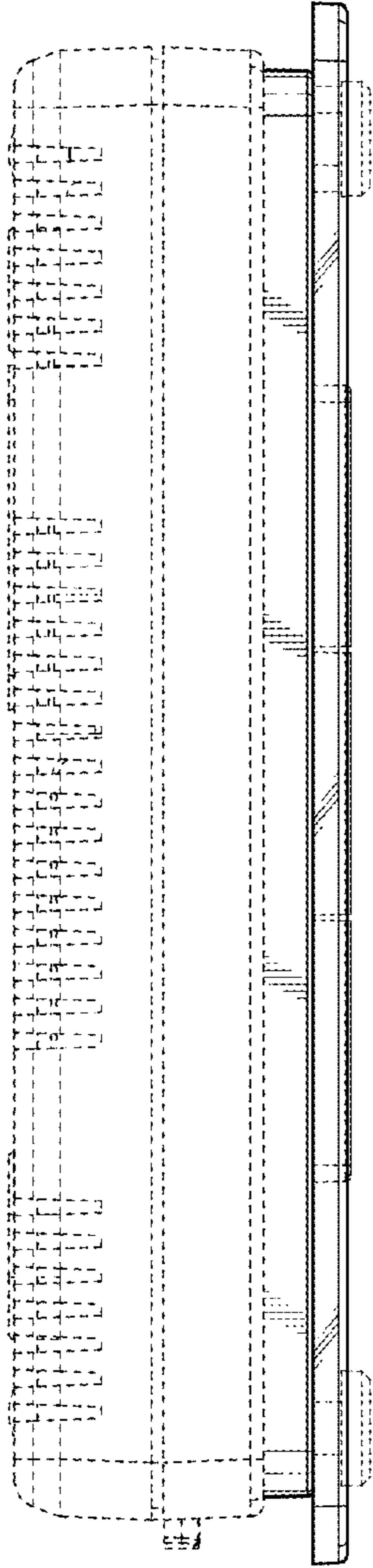


FIG. 33

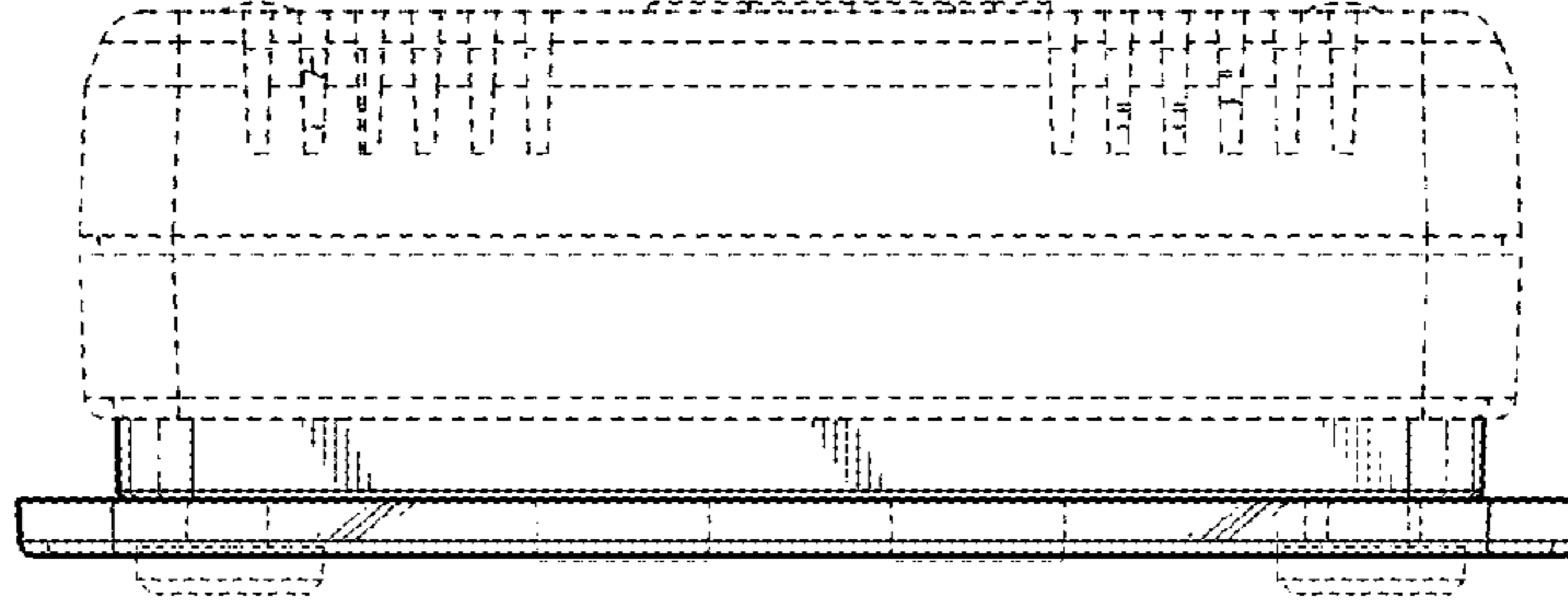


FIG. 35

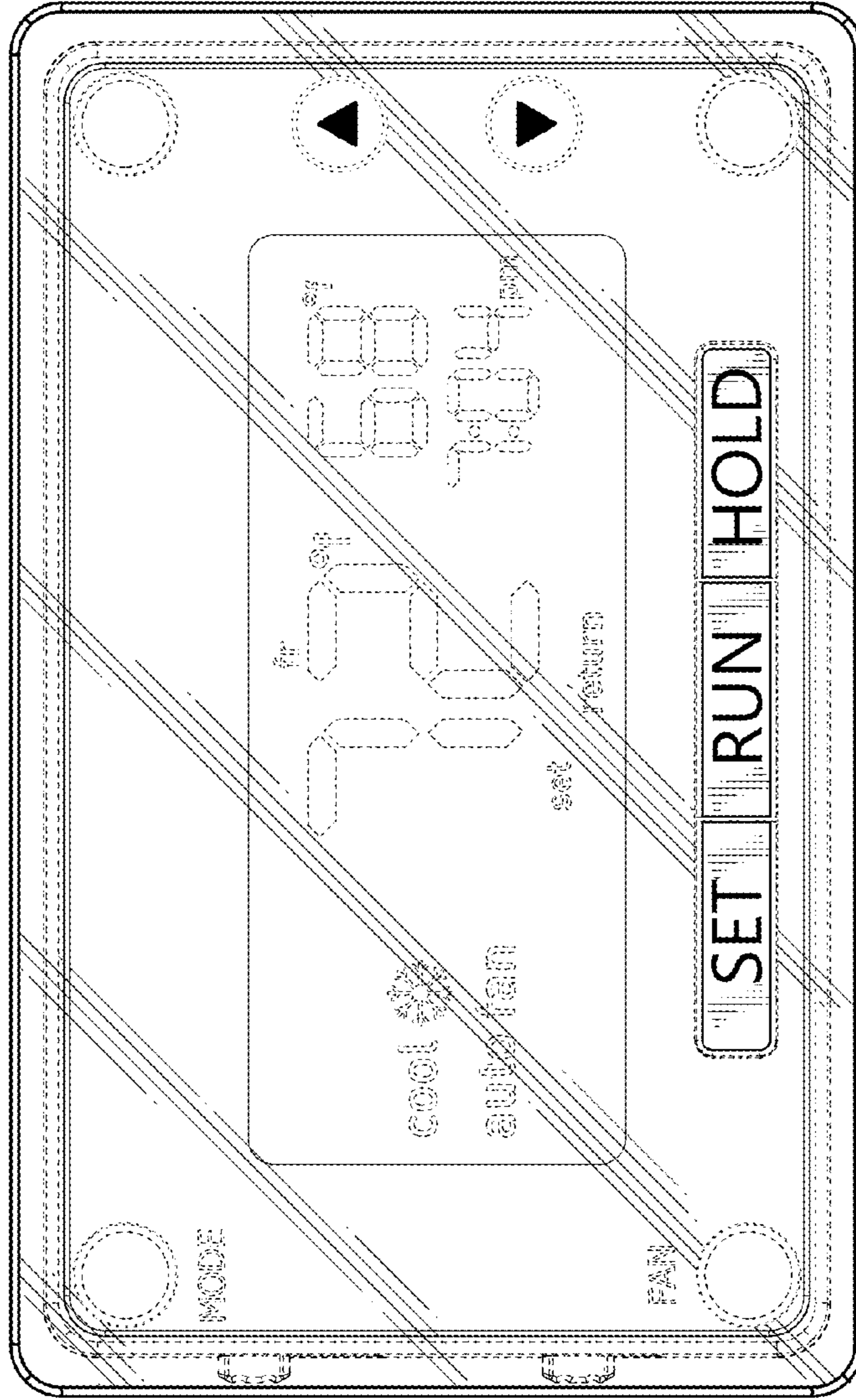


FIG. 32

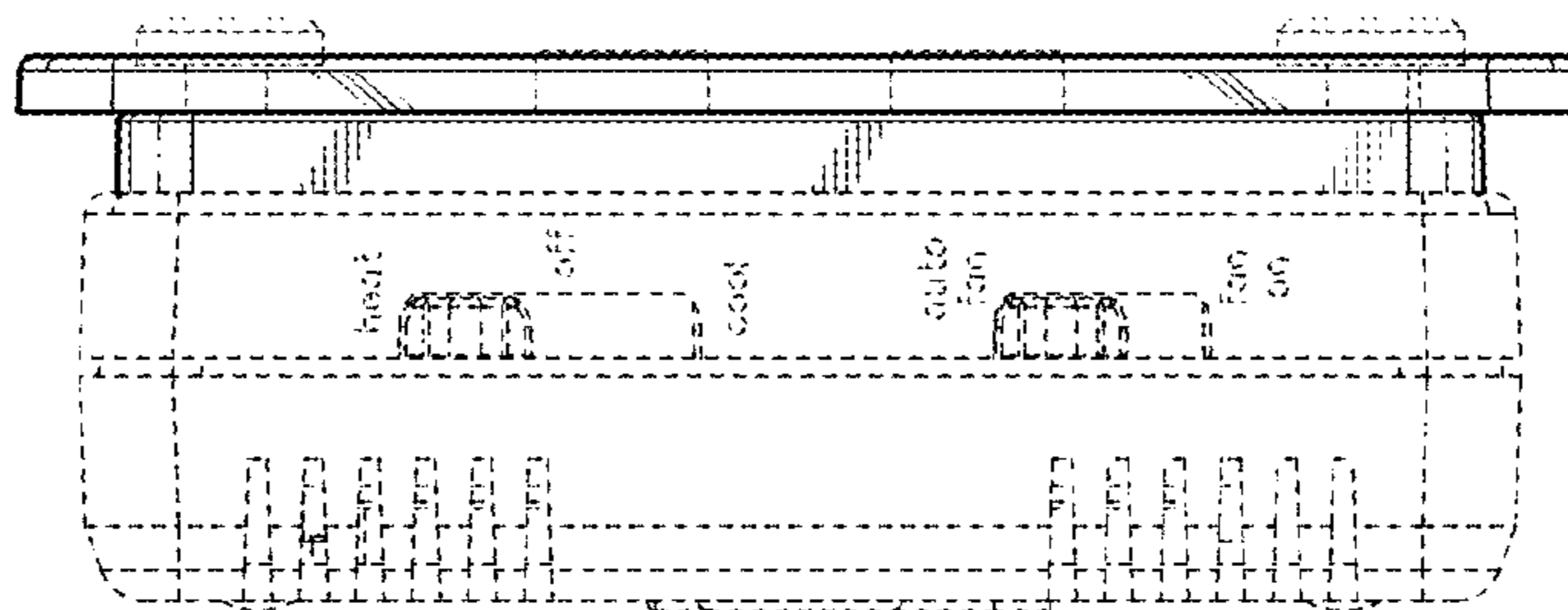


FIG. 34

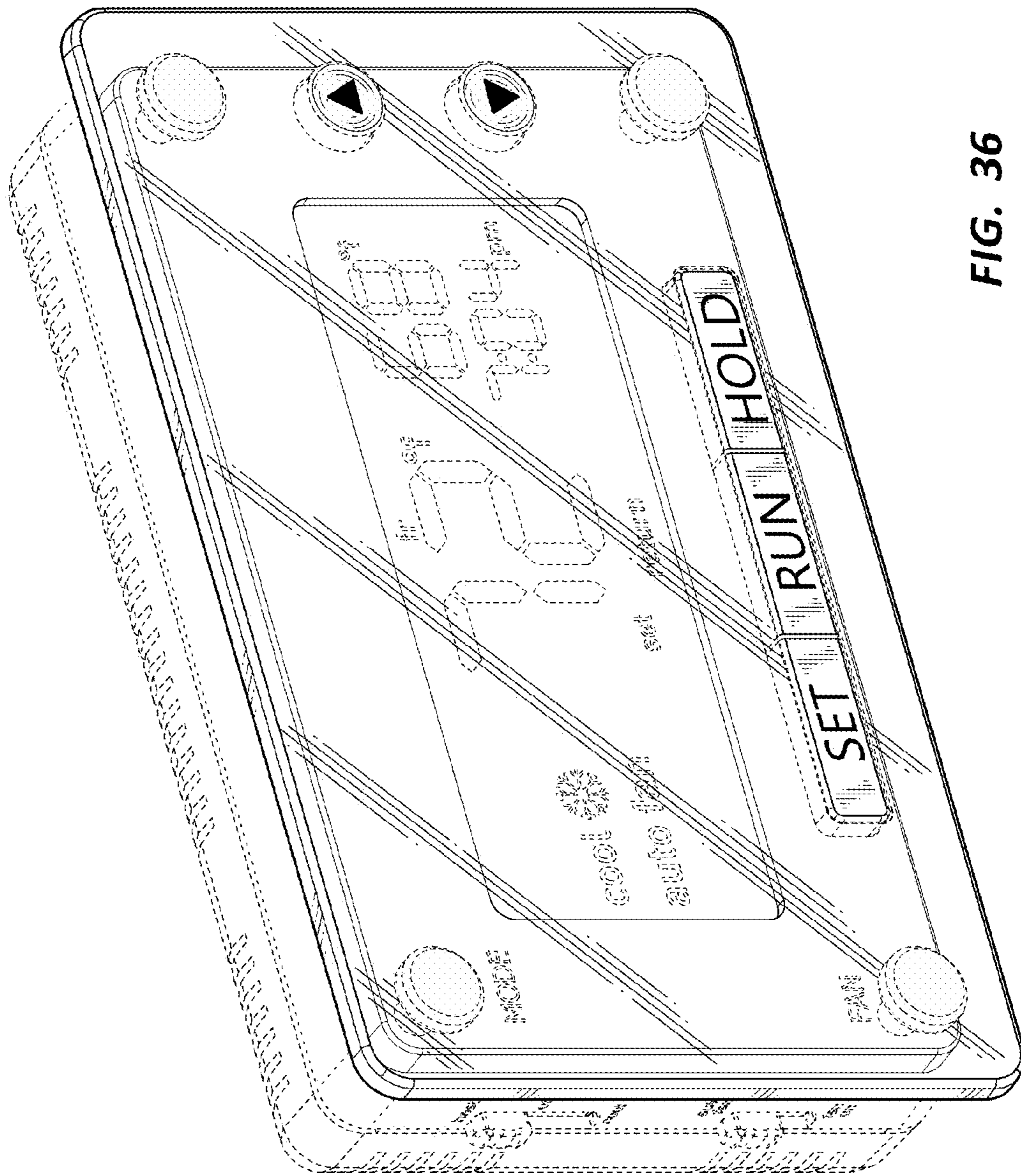


FIG. 36

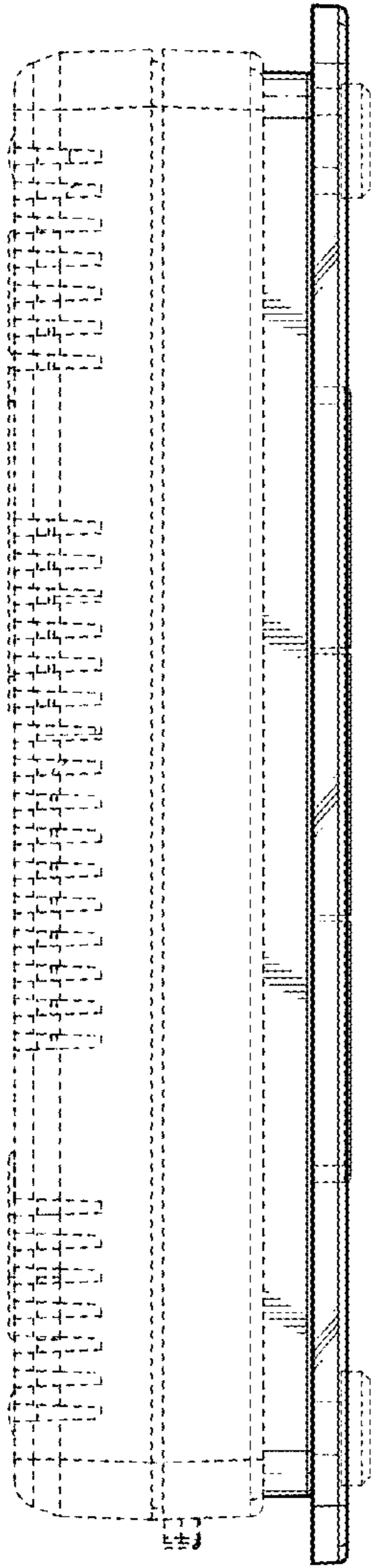


FIG. 38

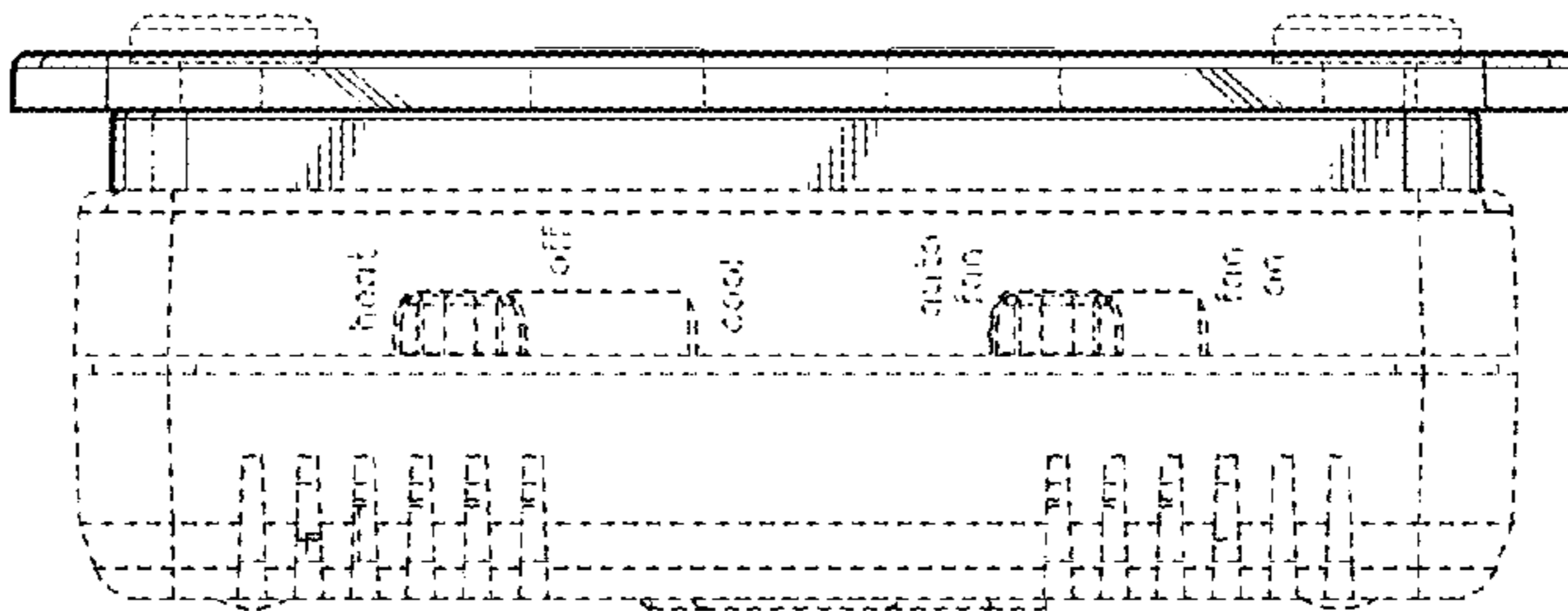


FIG. 39

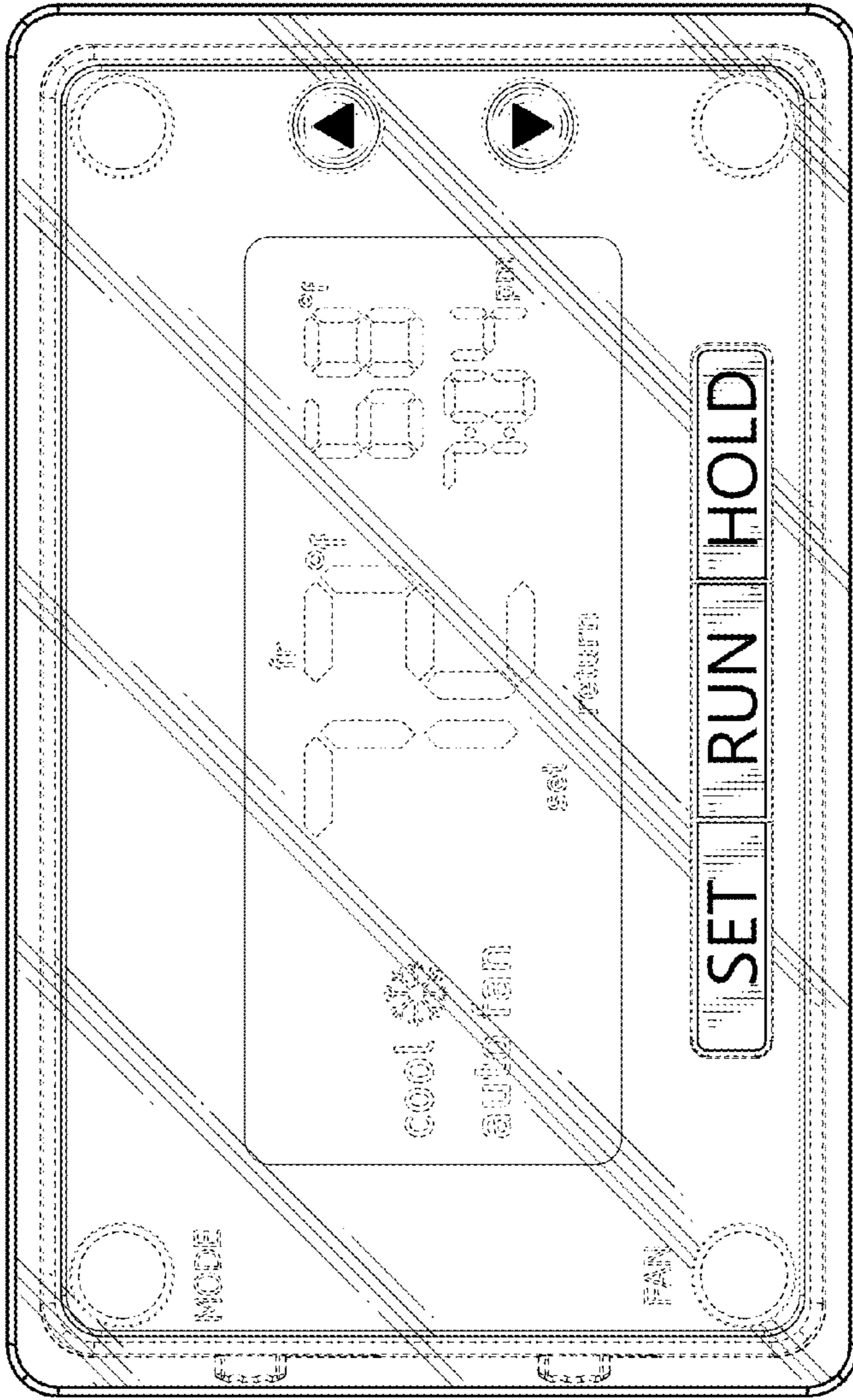


FIG. 37

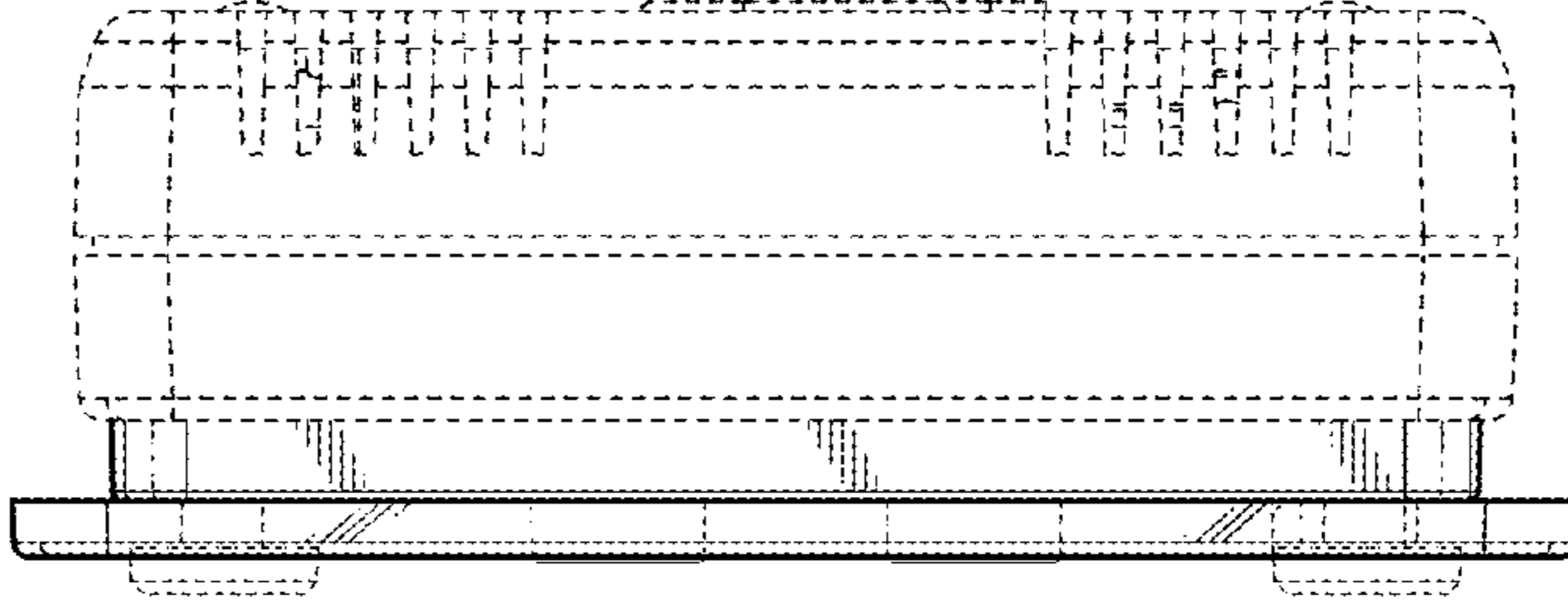


FIG. 40

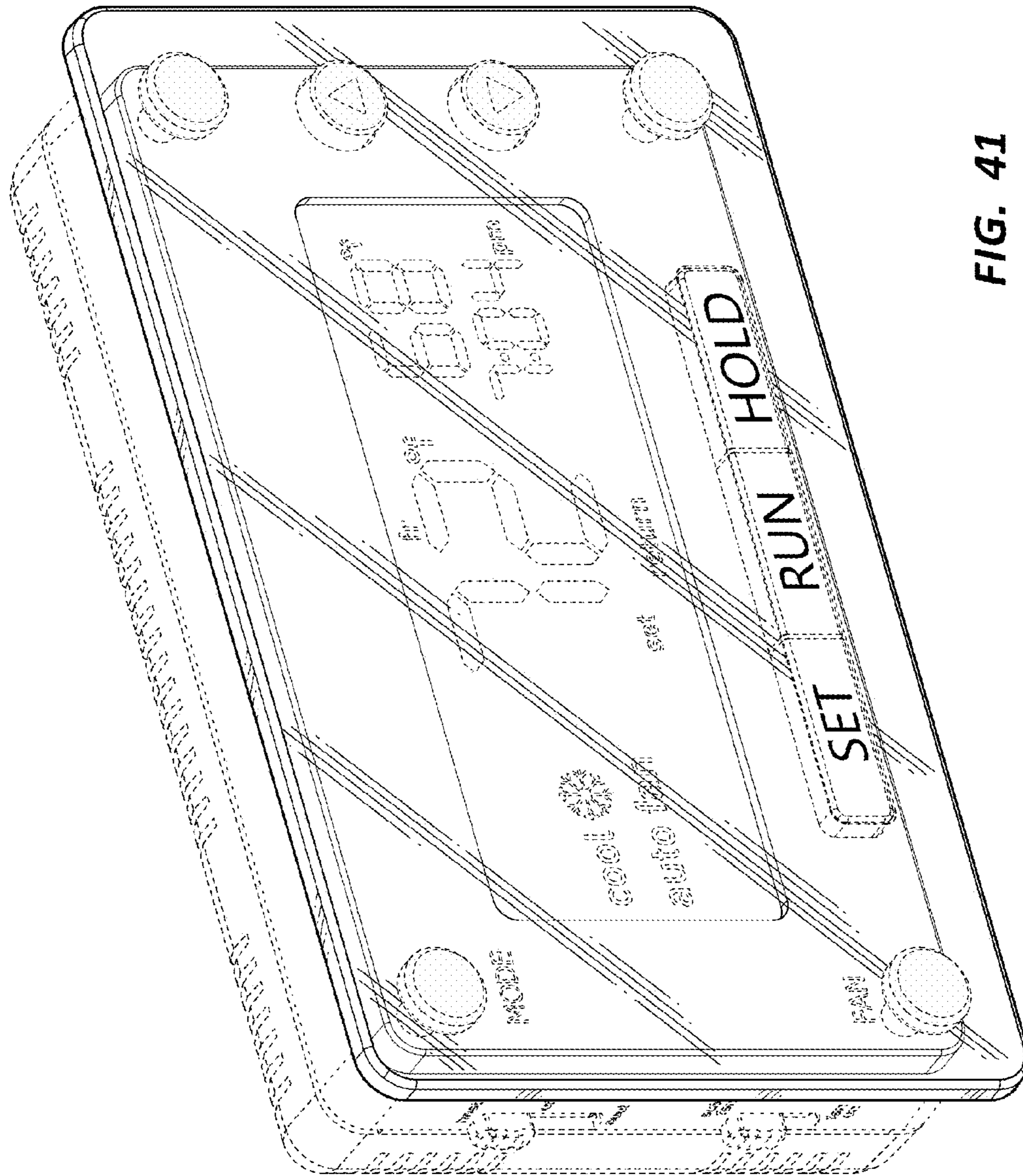


FIG. 41

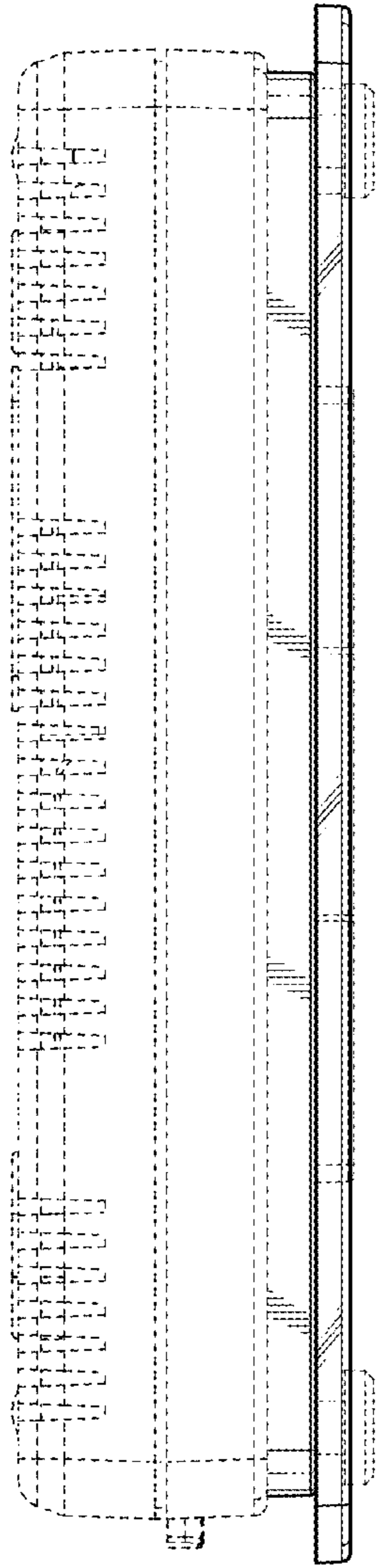


FIG. 43

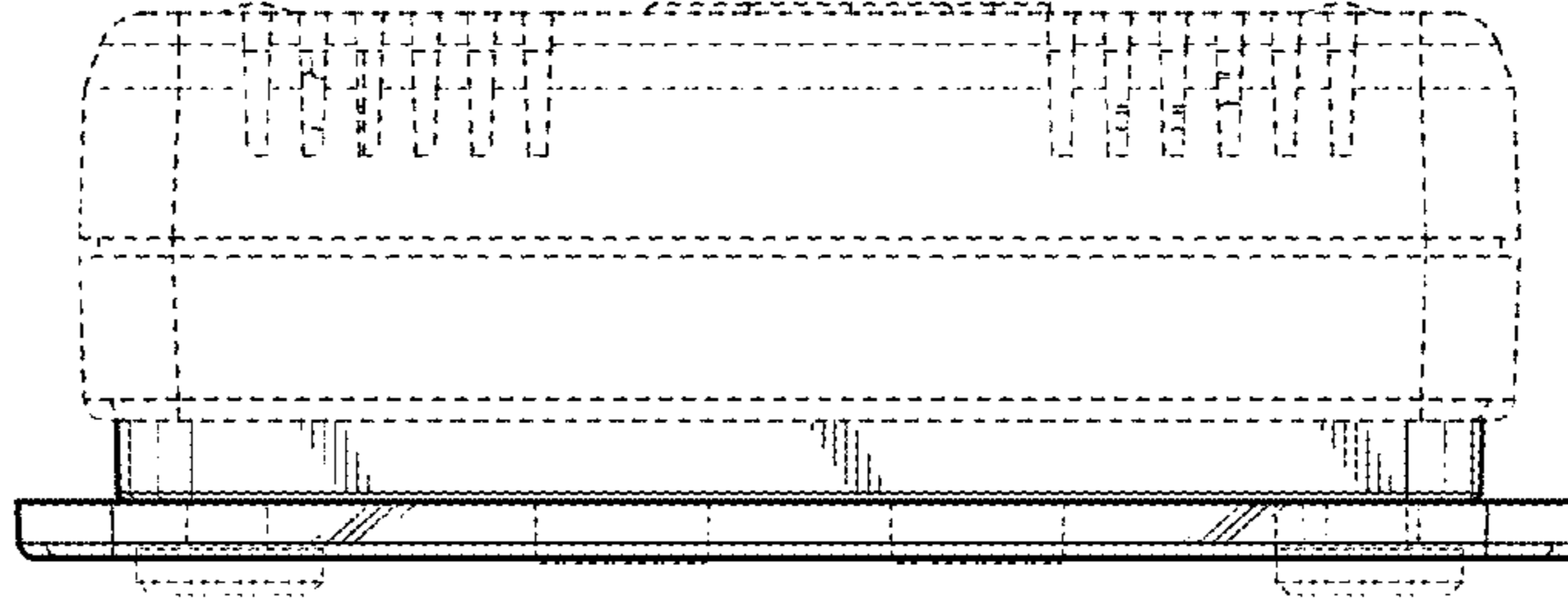


FIG. 44

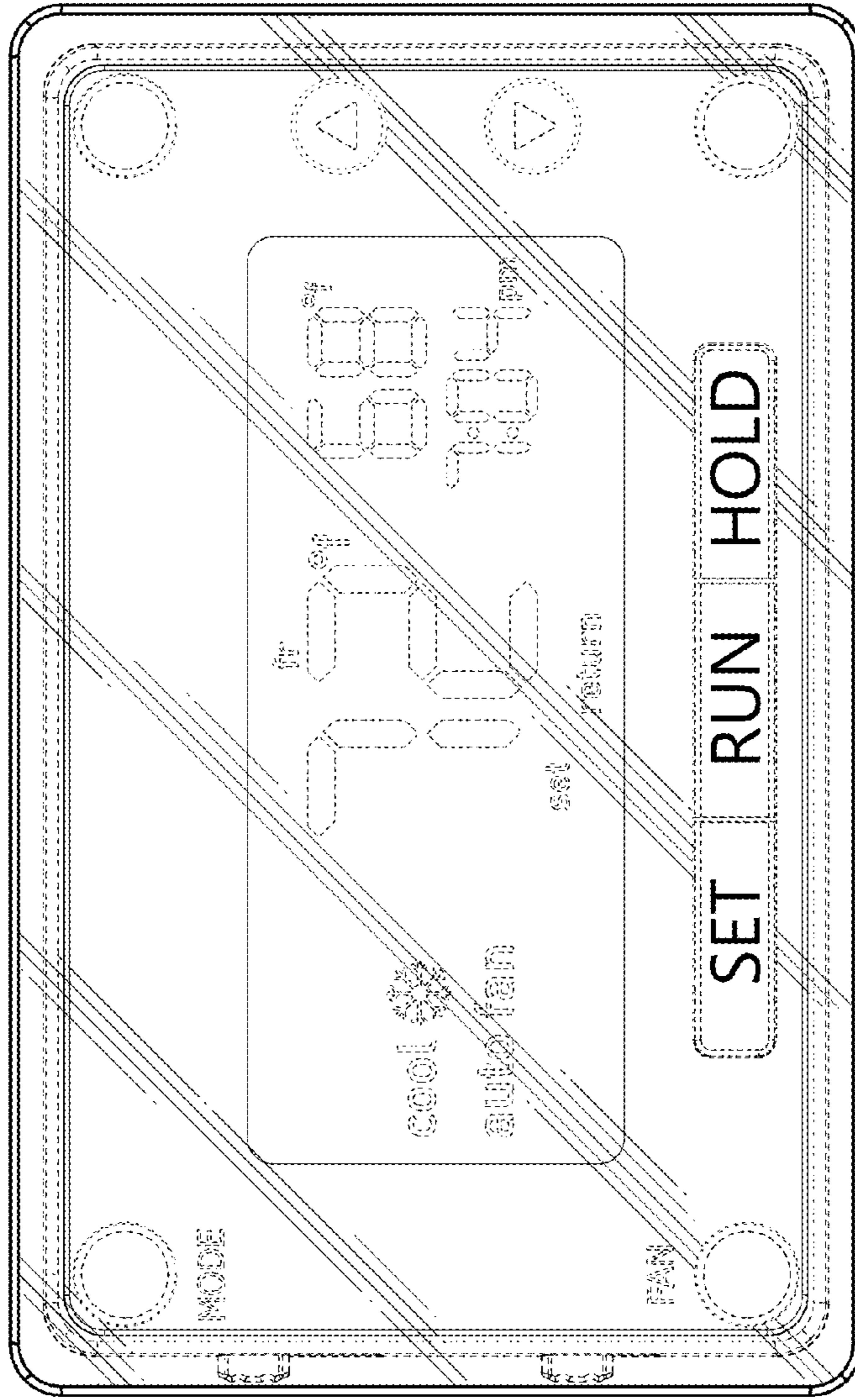


FIG. 42

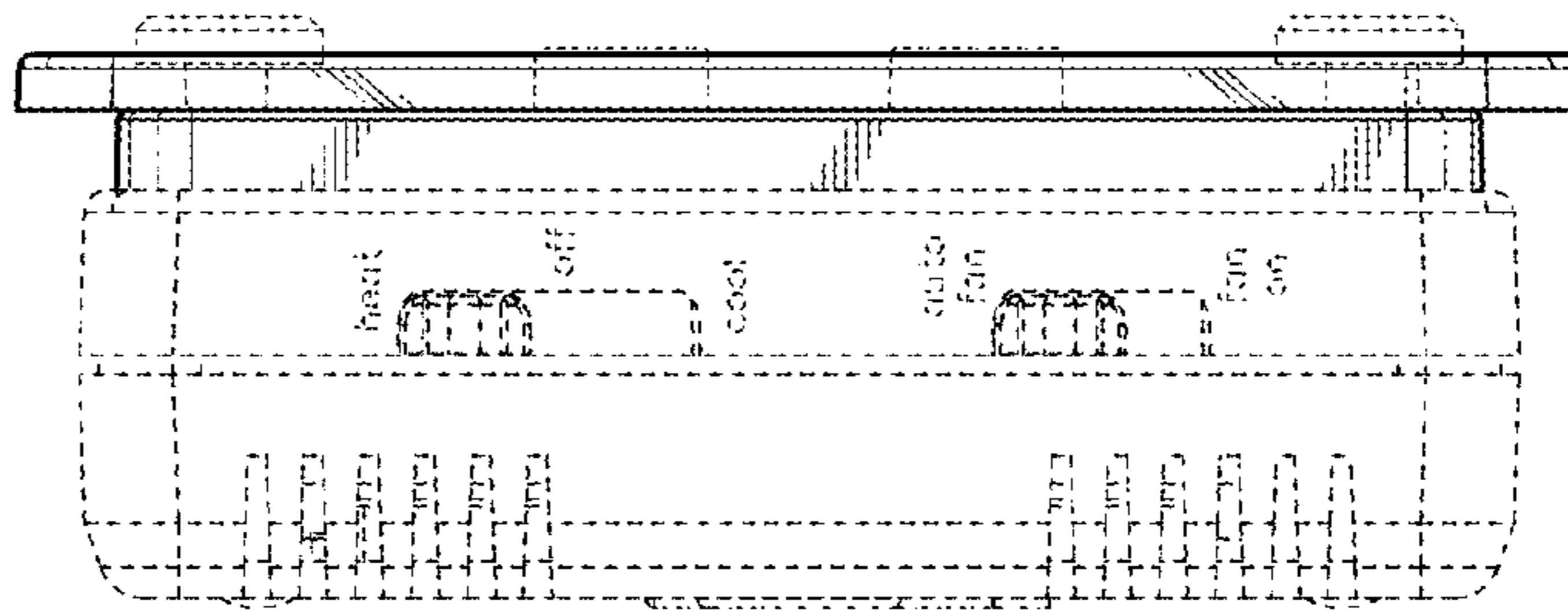


FIG. 45

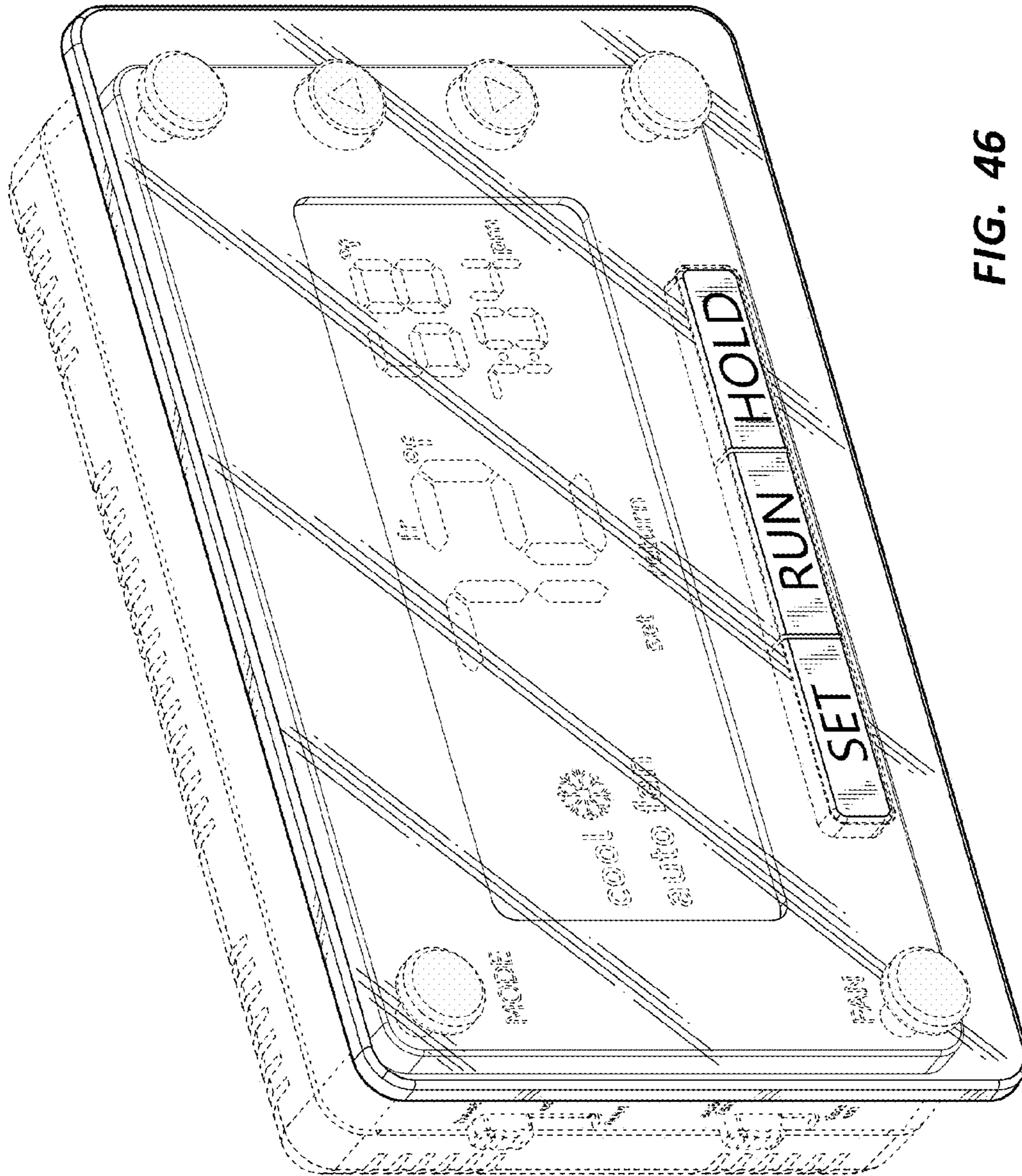


FIG. 46

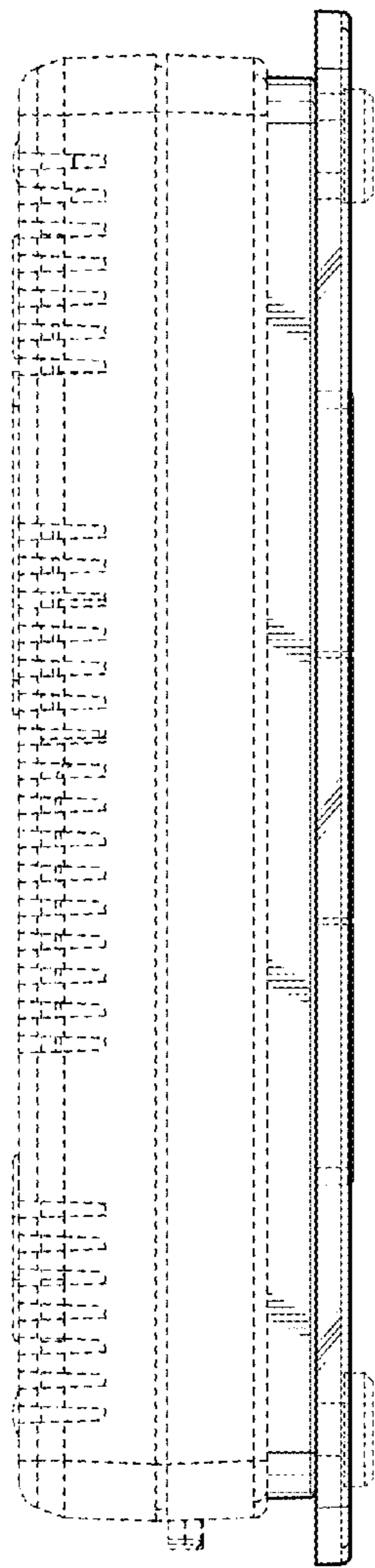


FIG. 48

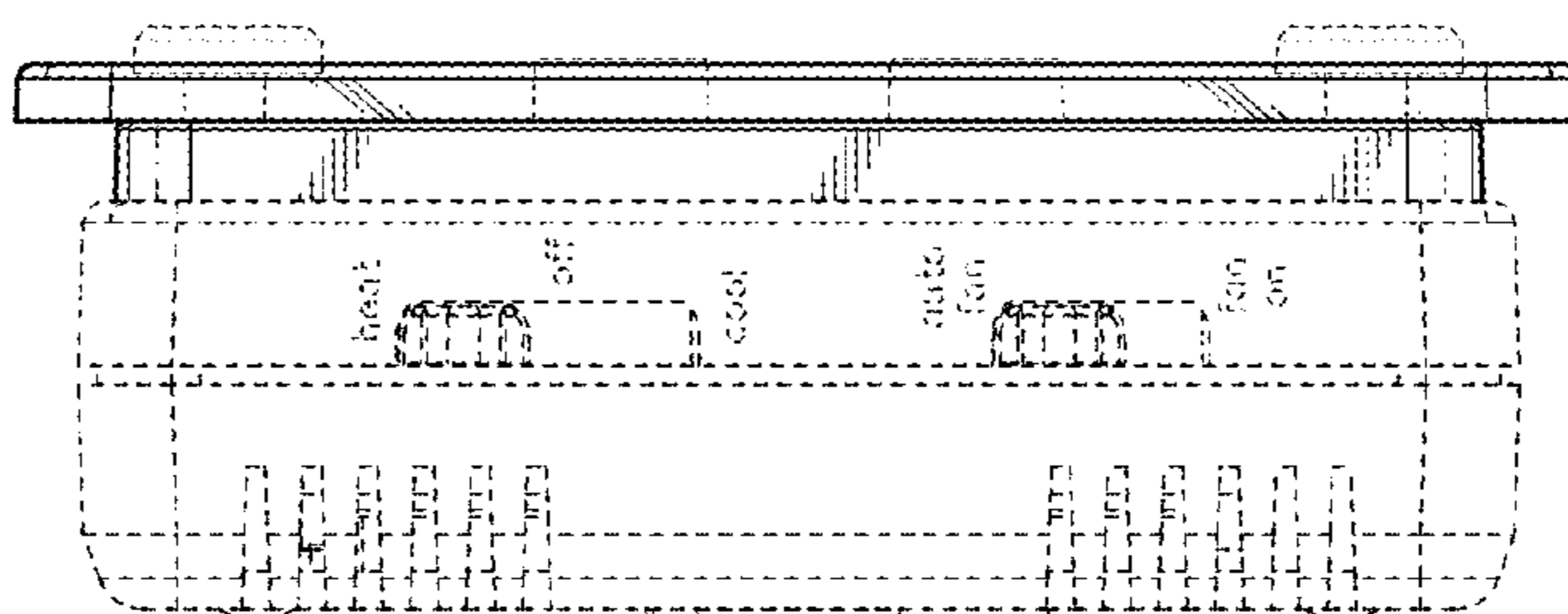


FIG. 49

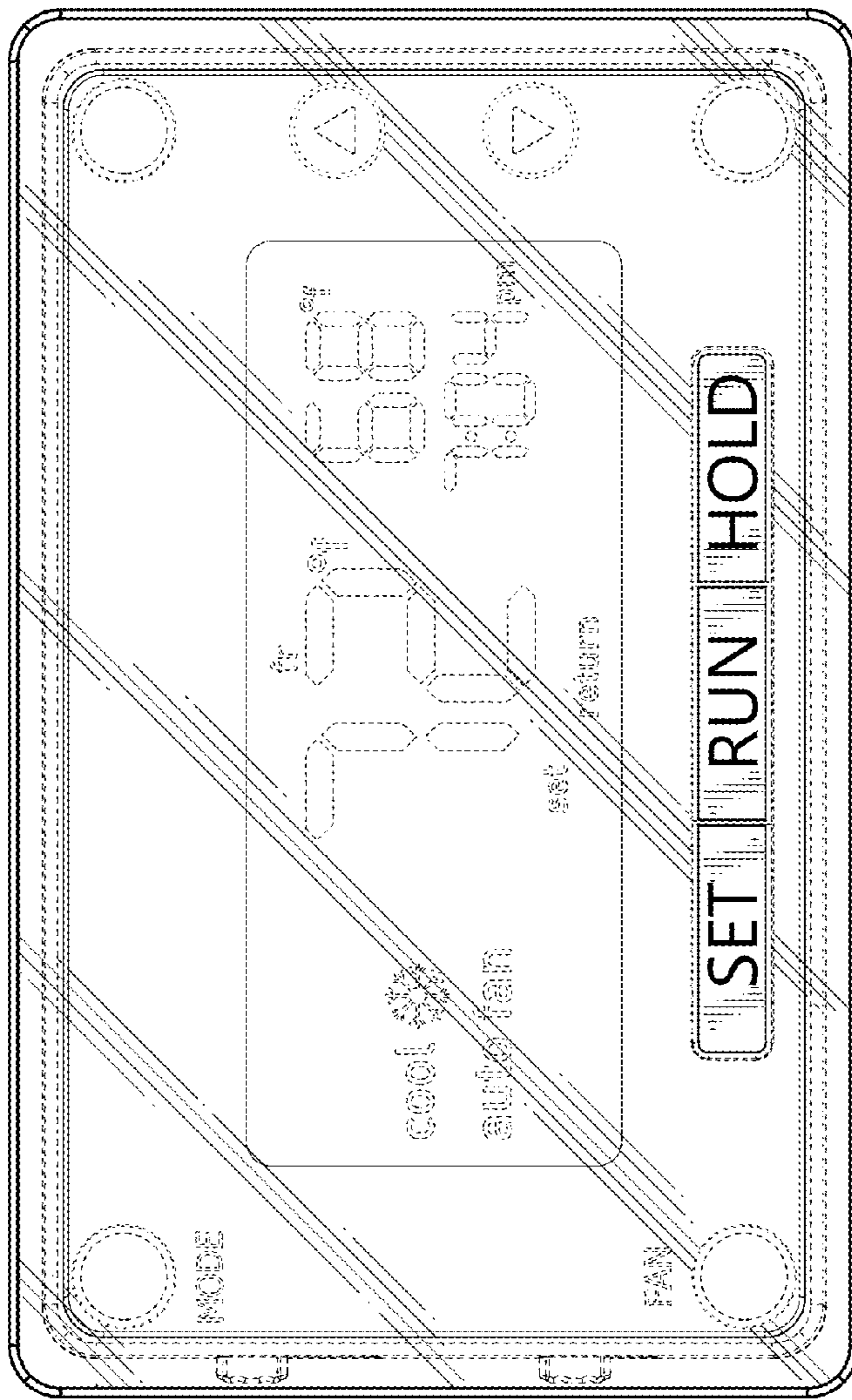


FIG. 50

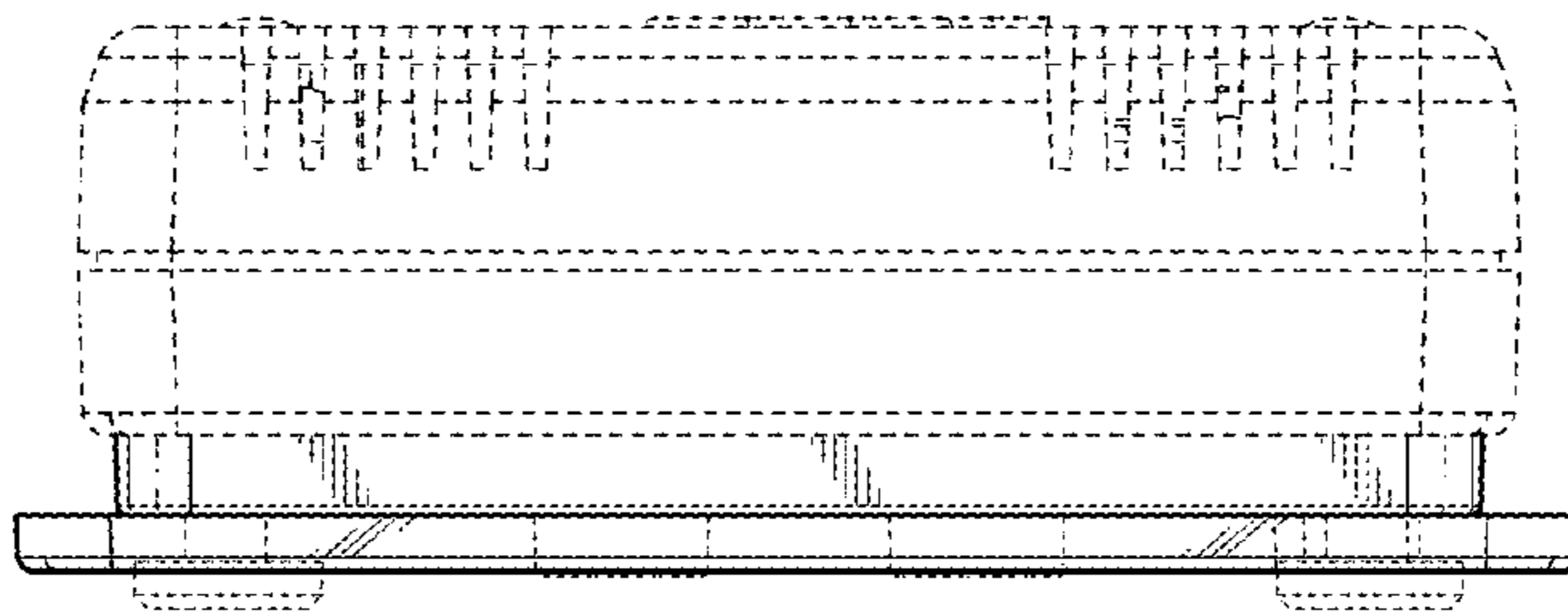


FIG. 51

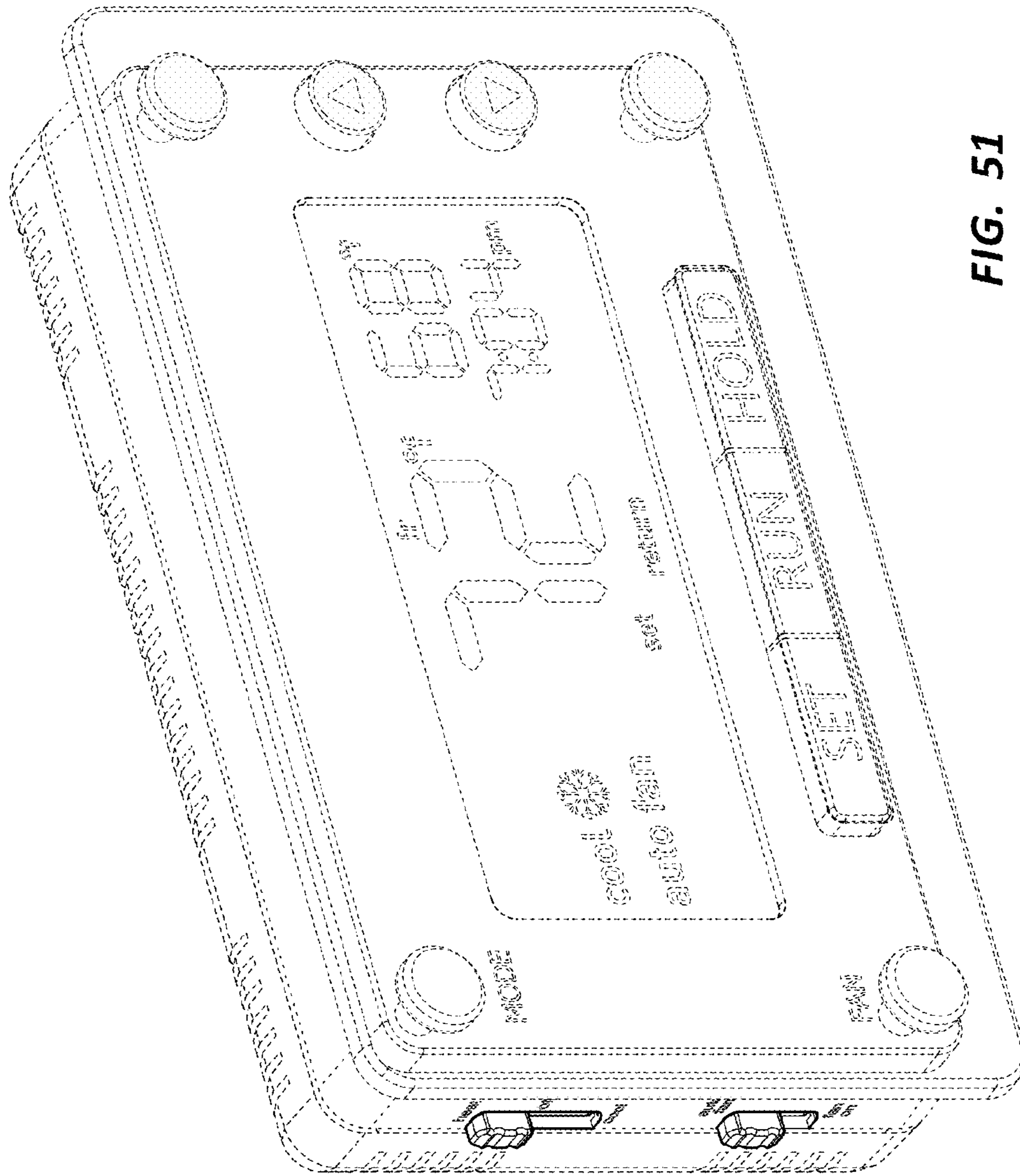


FIG. 51

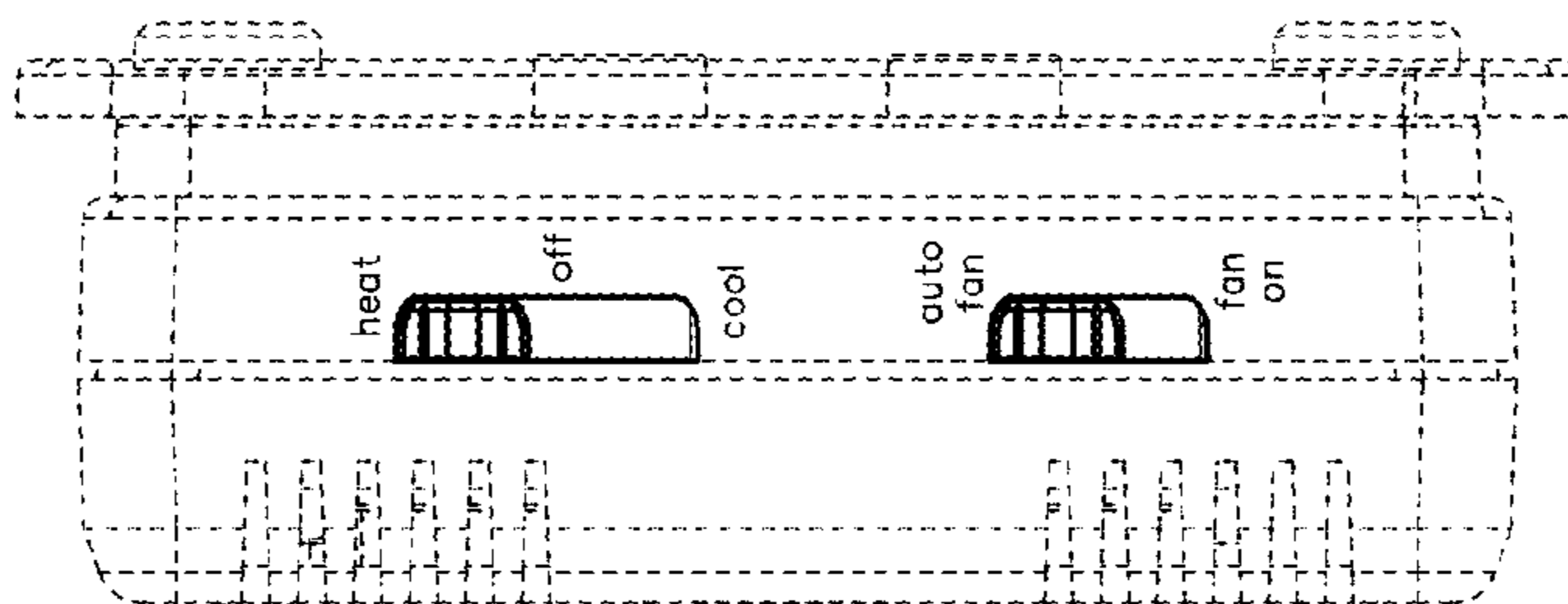
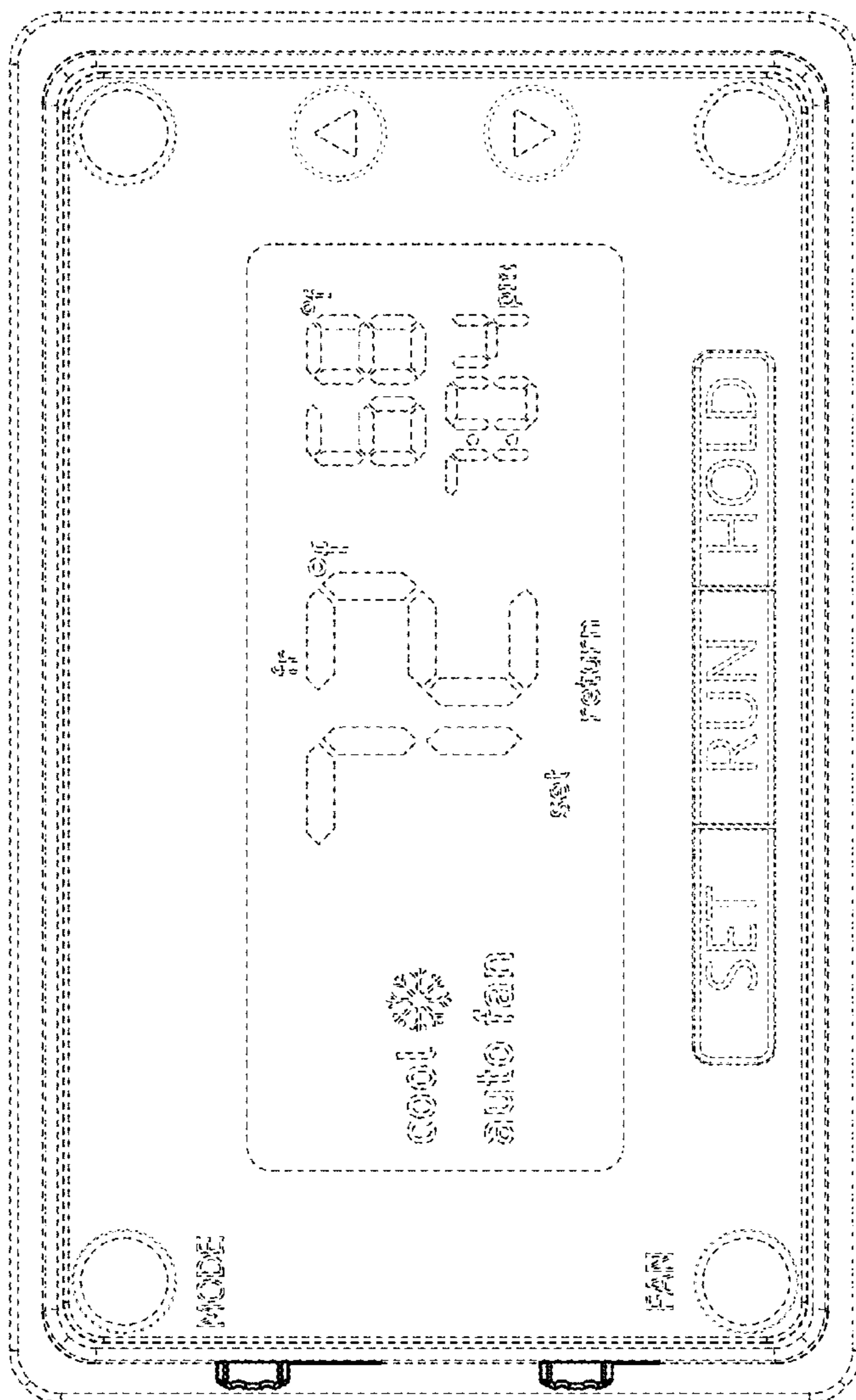
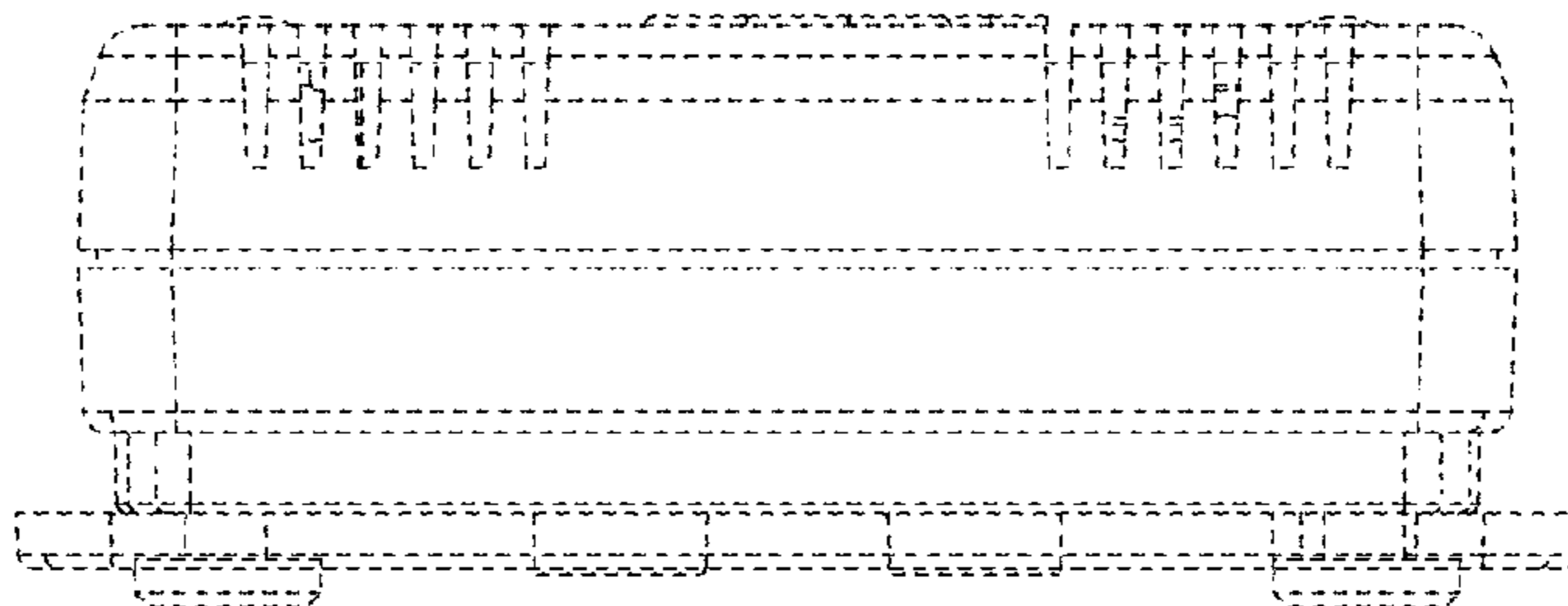
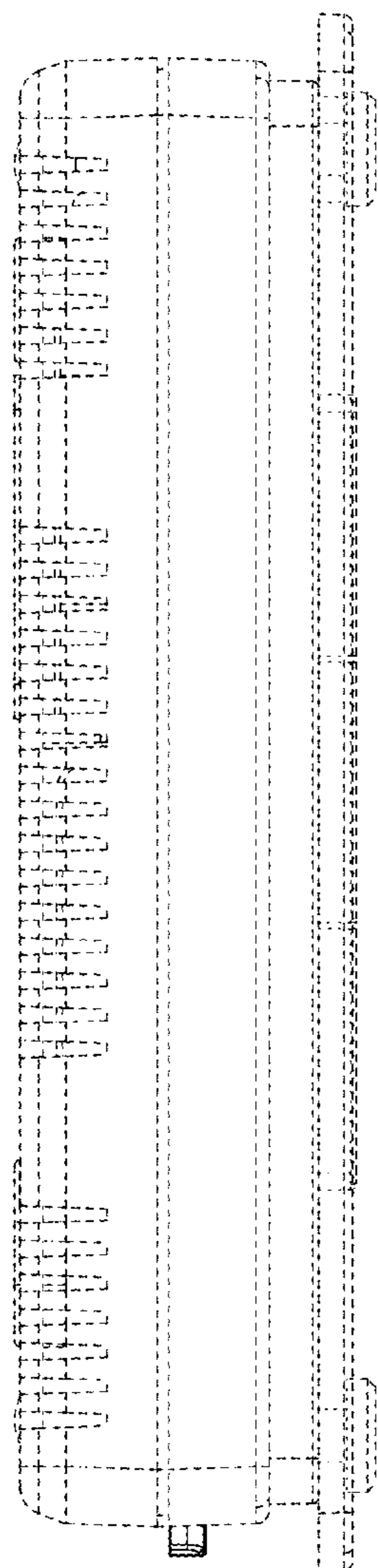


FIG. 54

FIG. 52

FIG. 55

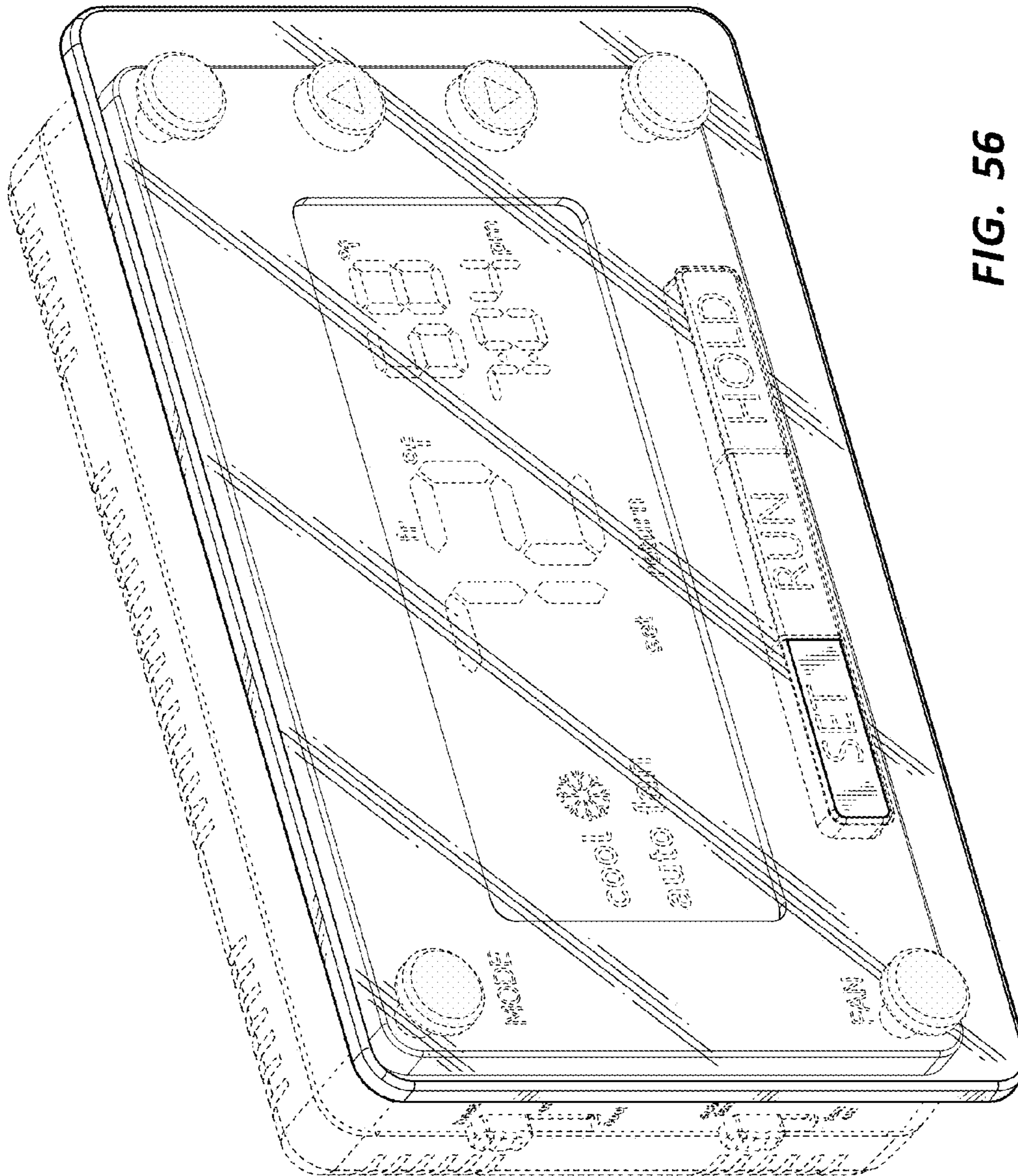


FIG. 56

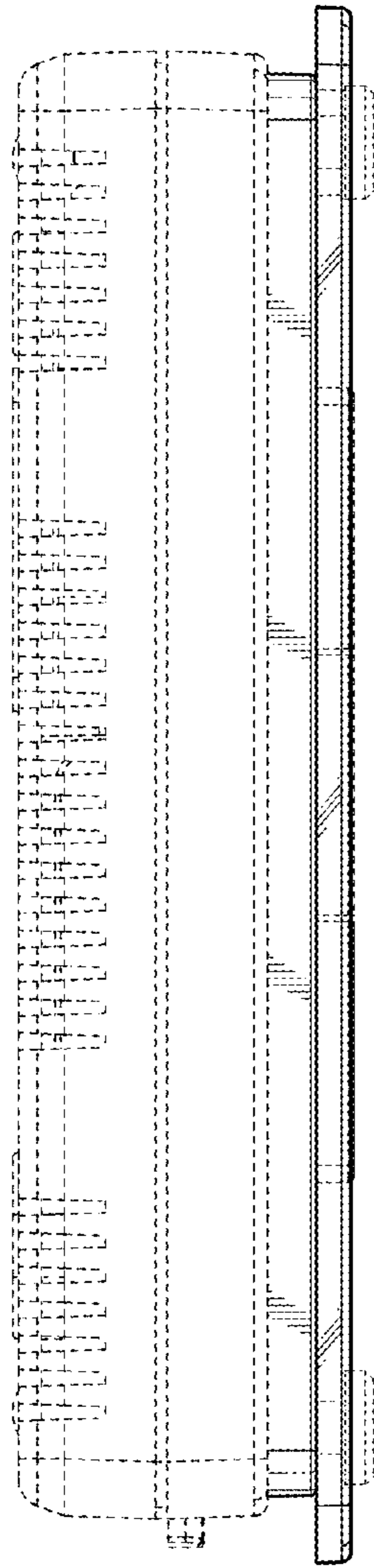


FIG. 58

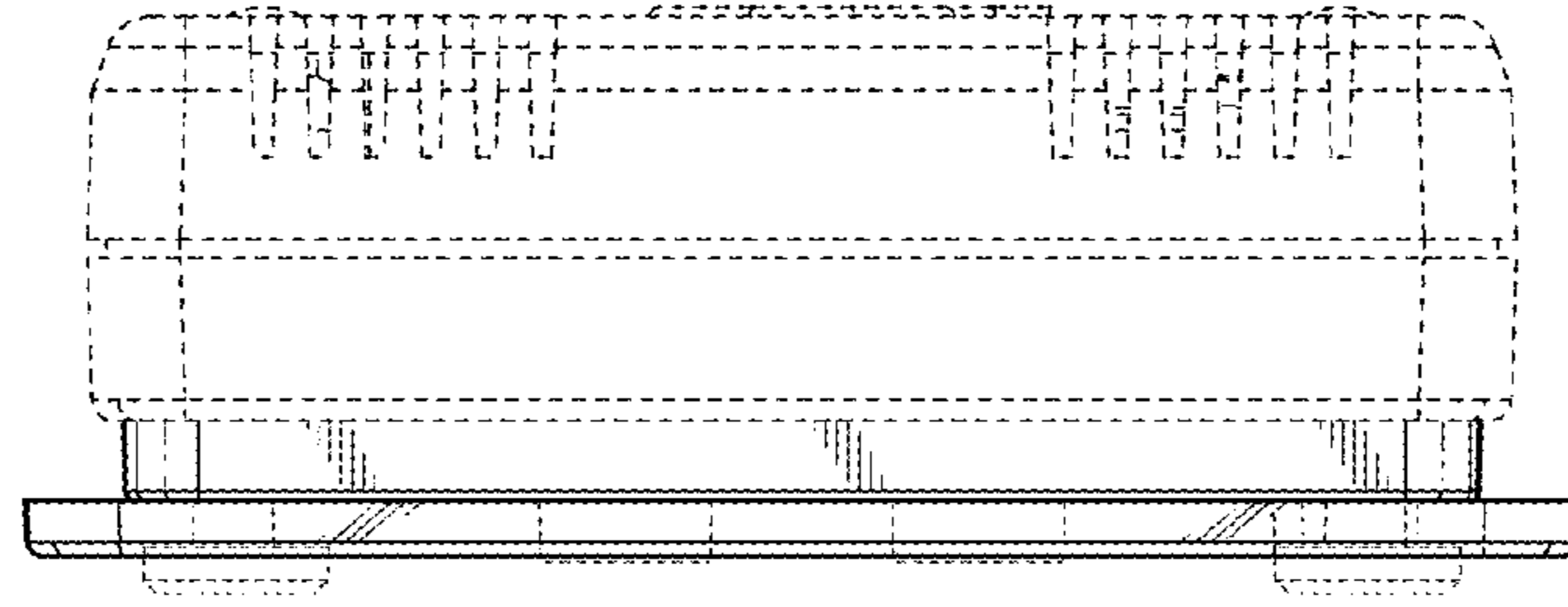


FIG. 60

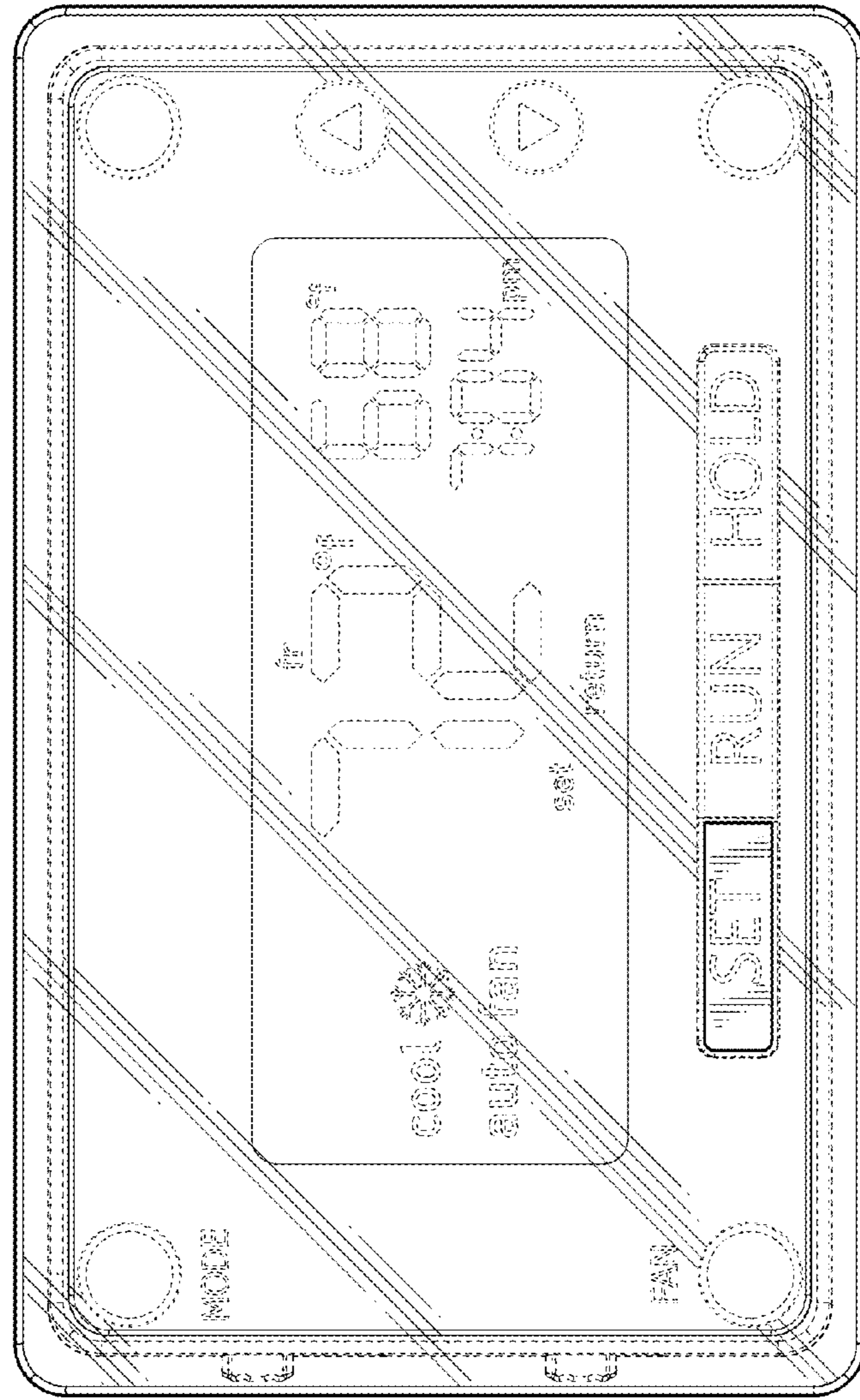


FIG. 57

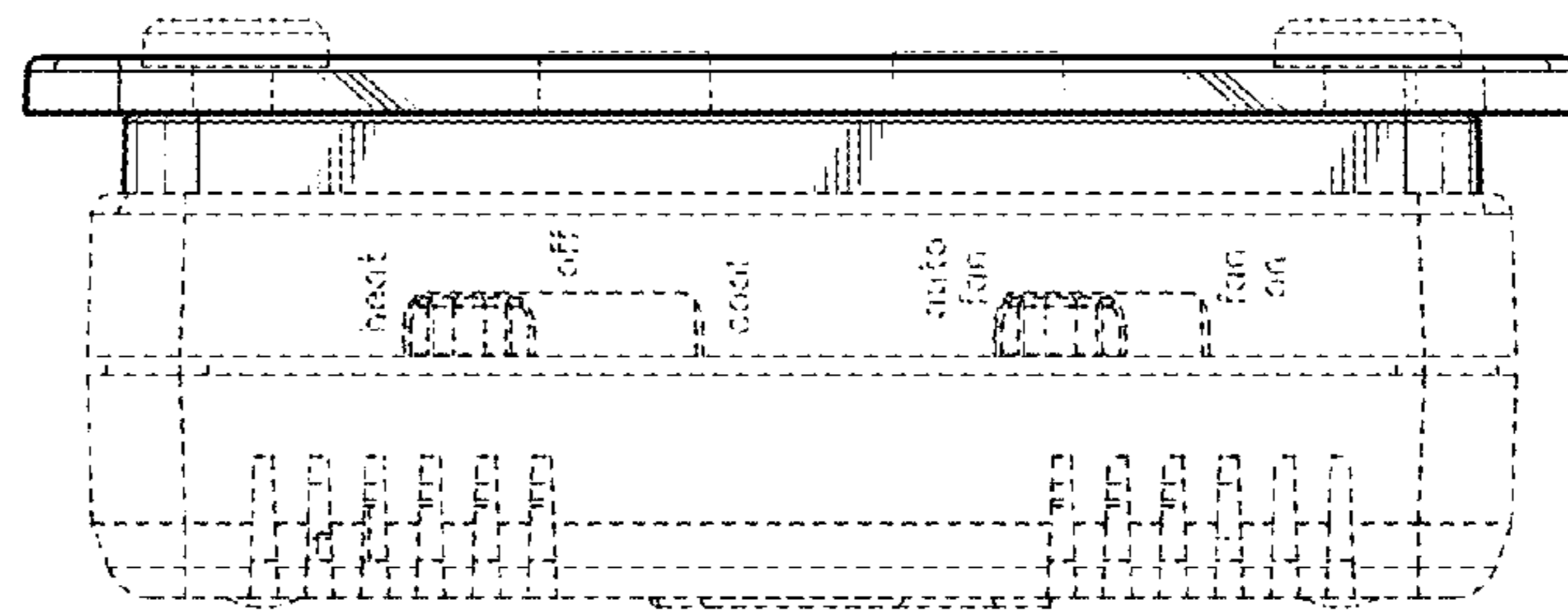


FIG. 59

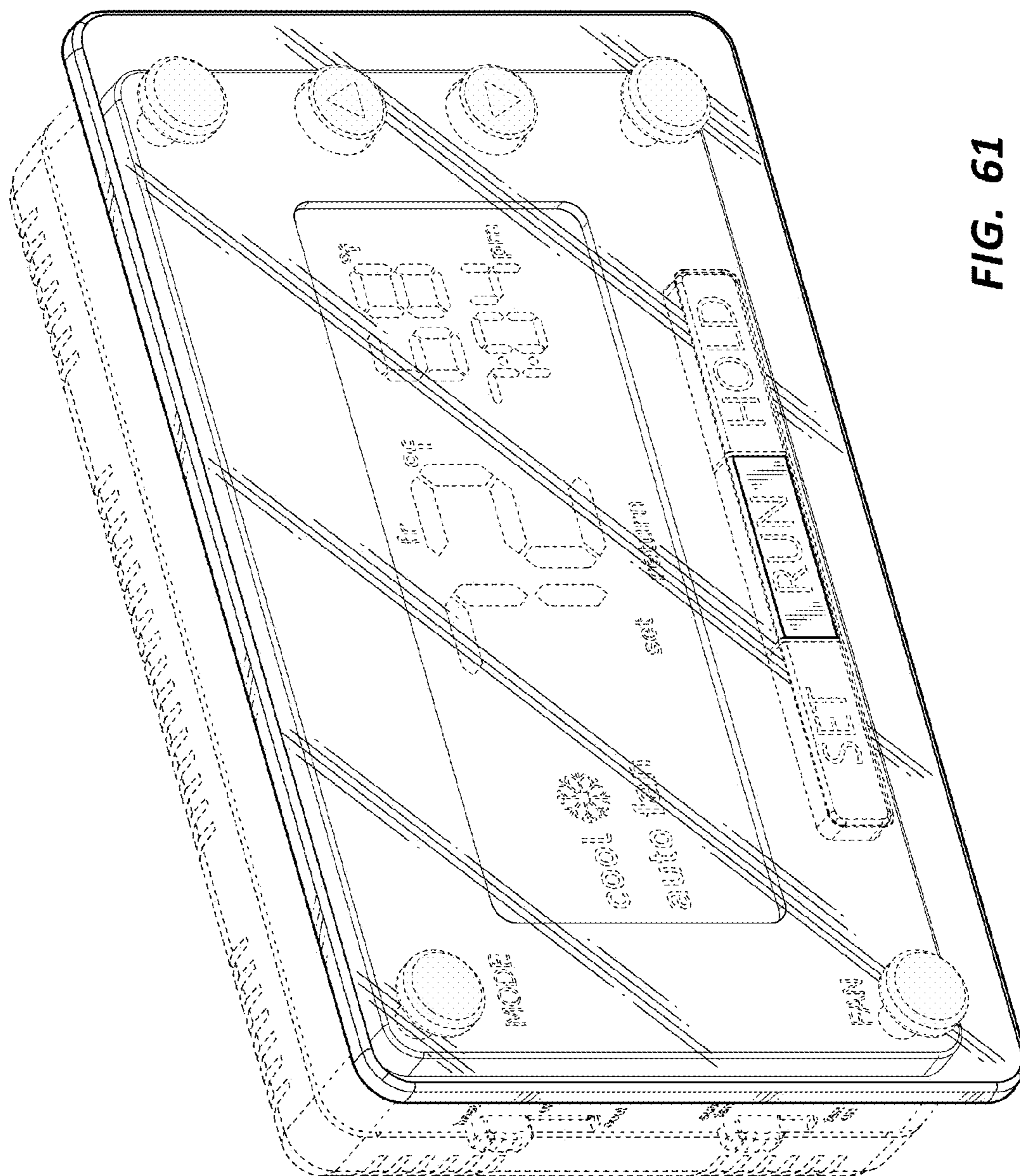


FIG. 61

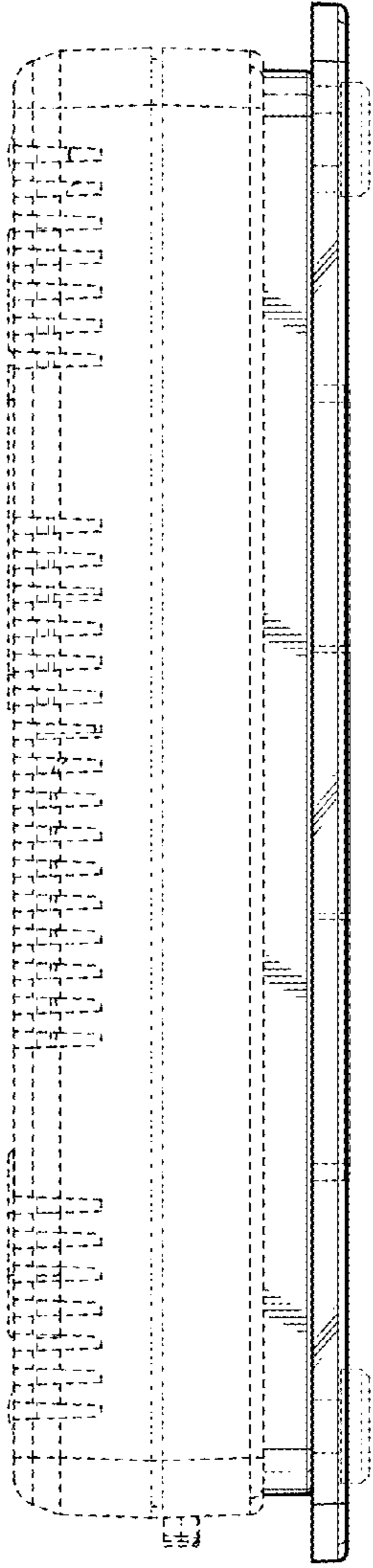


FIG. 63

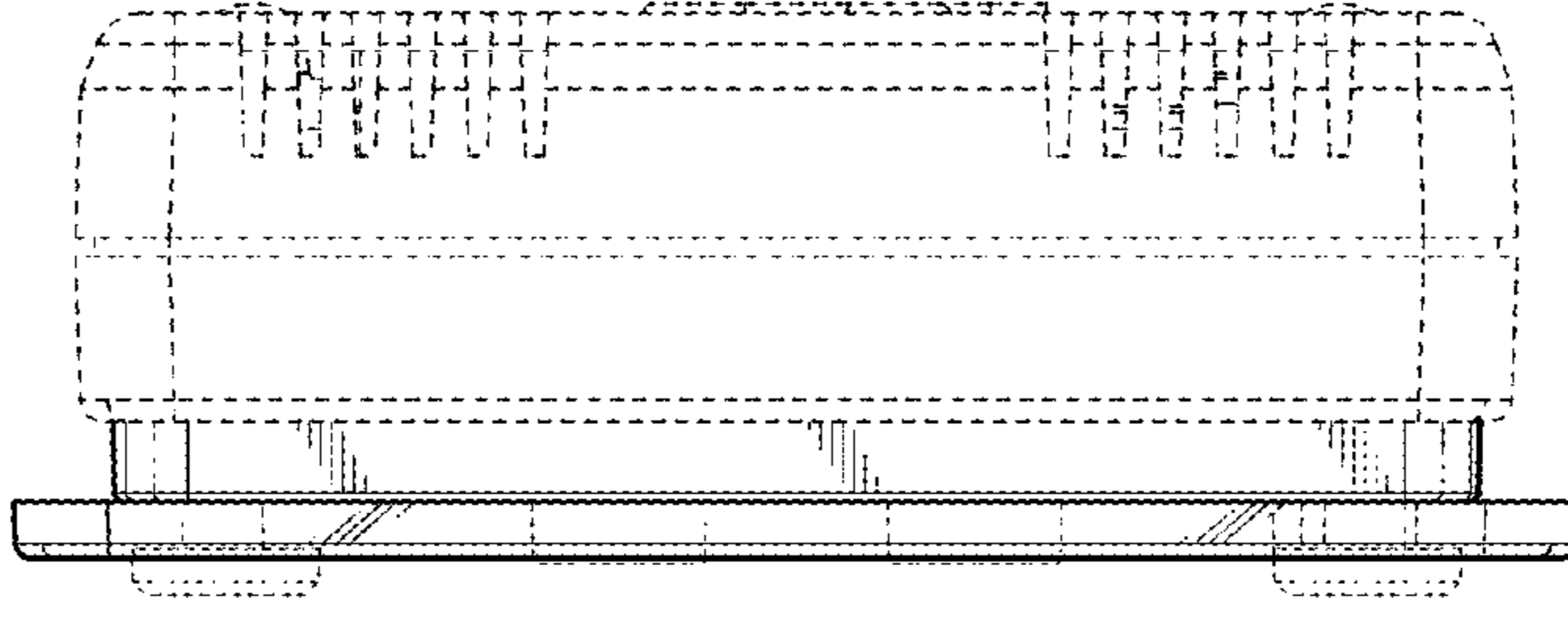


FIG. 65

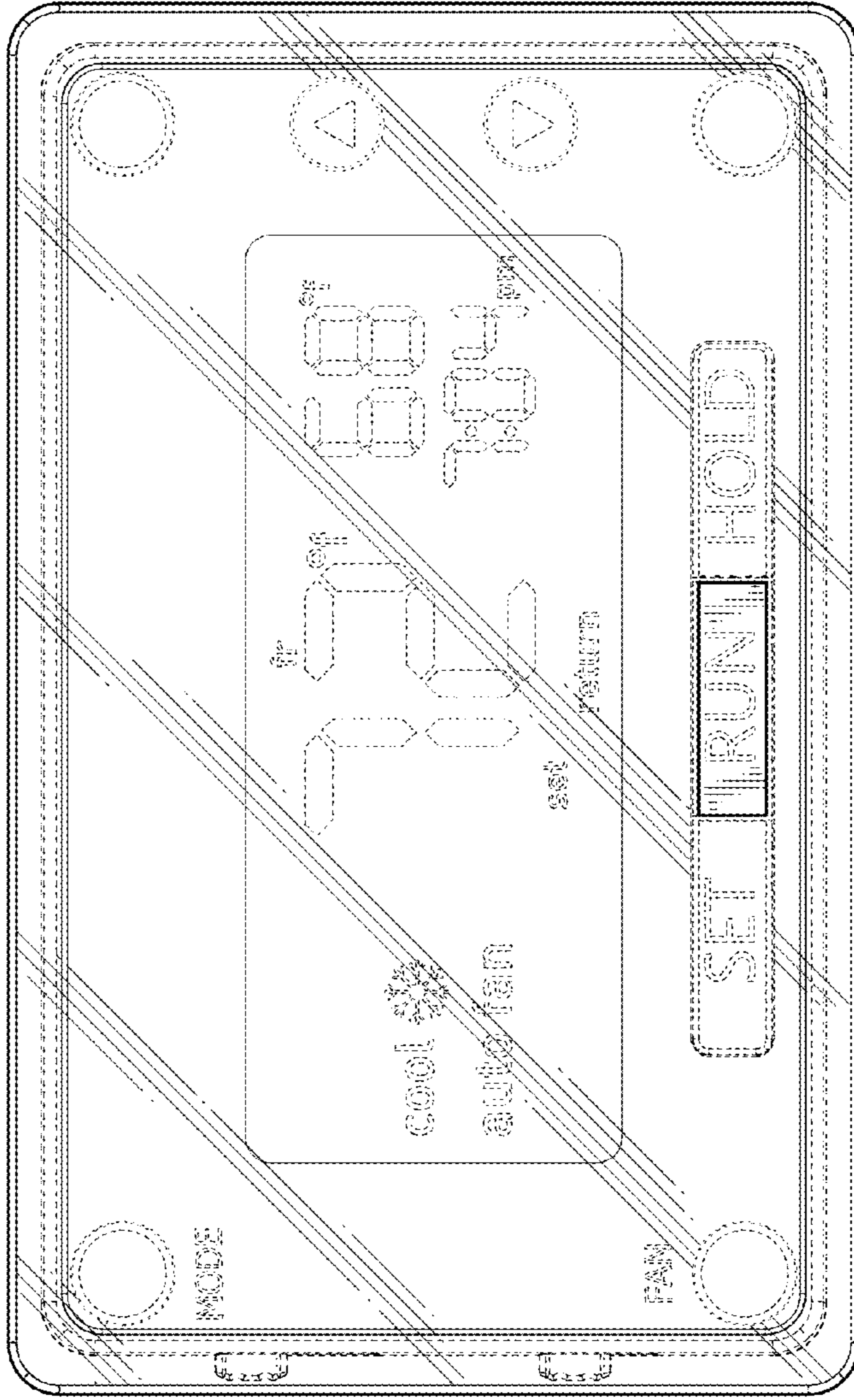


FIG. 62

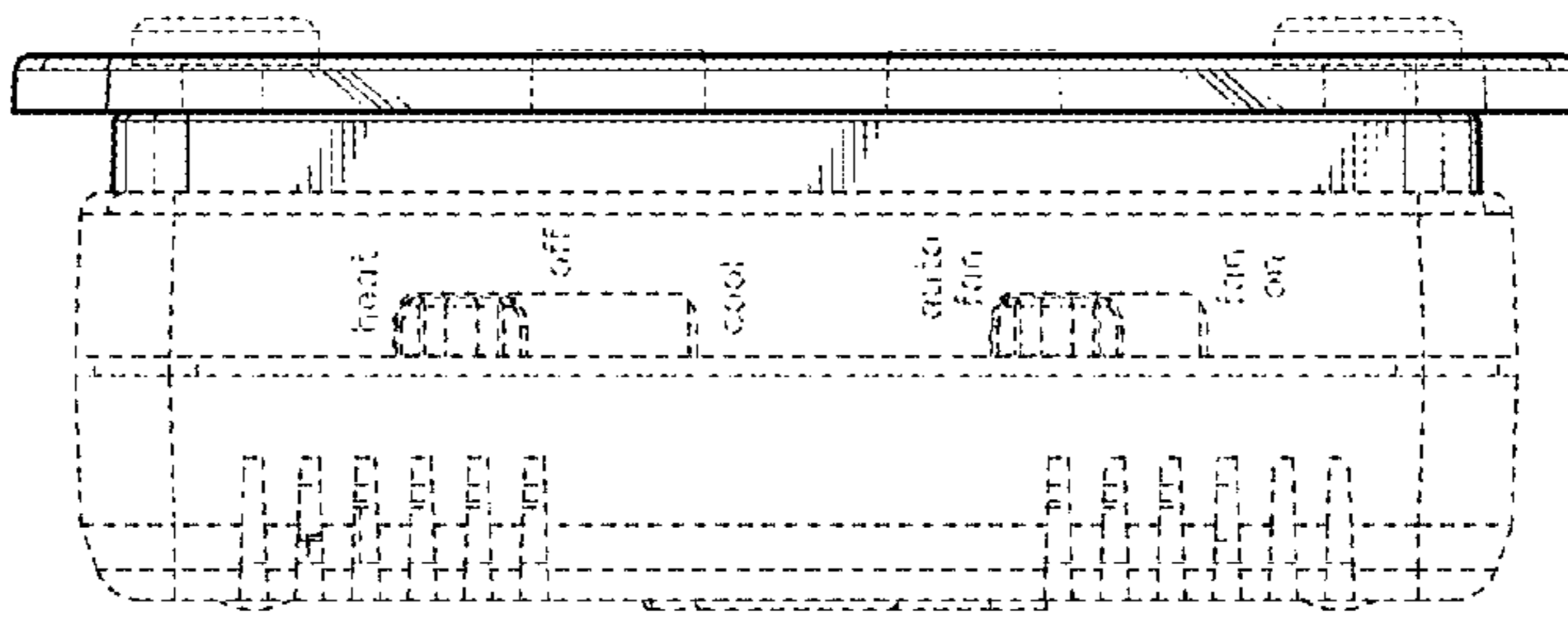


FIG. 64

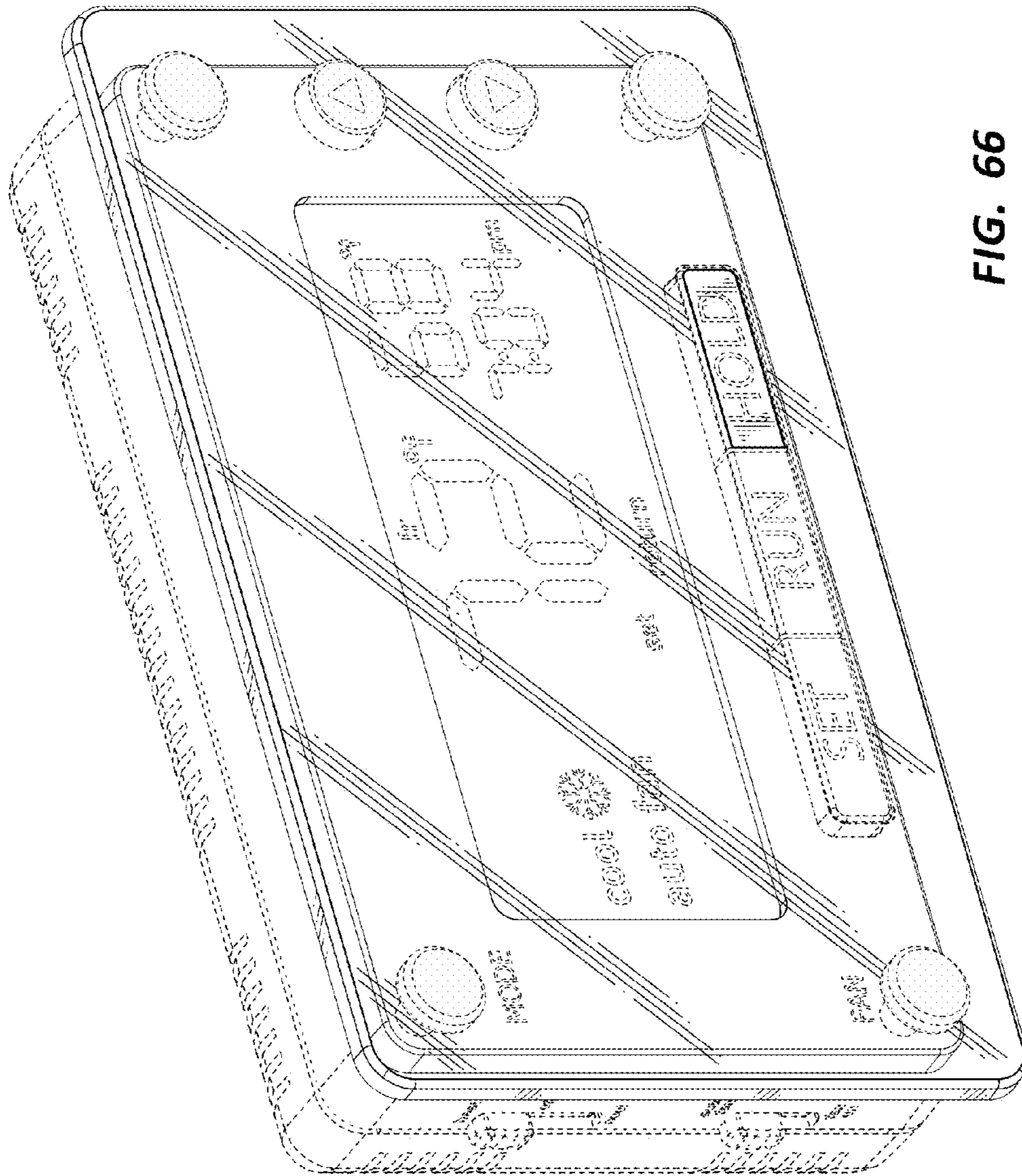


FIG. 66

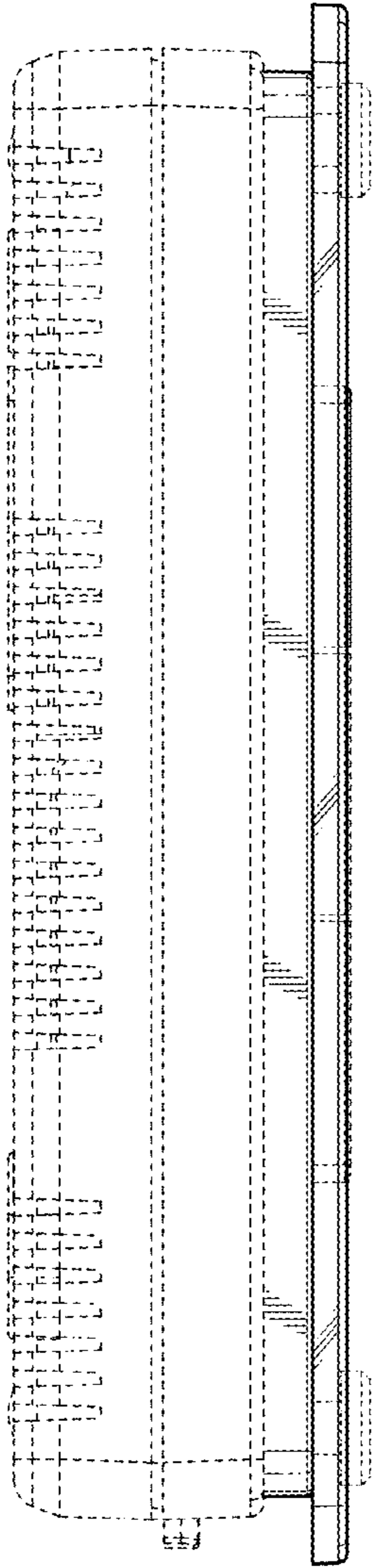


FIG. 68

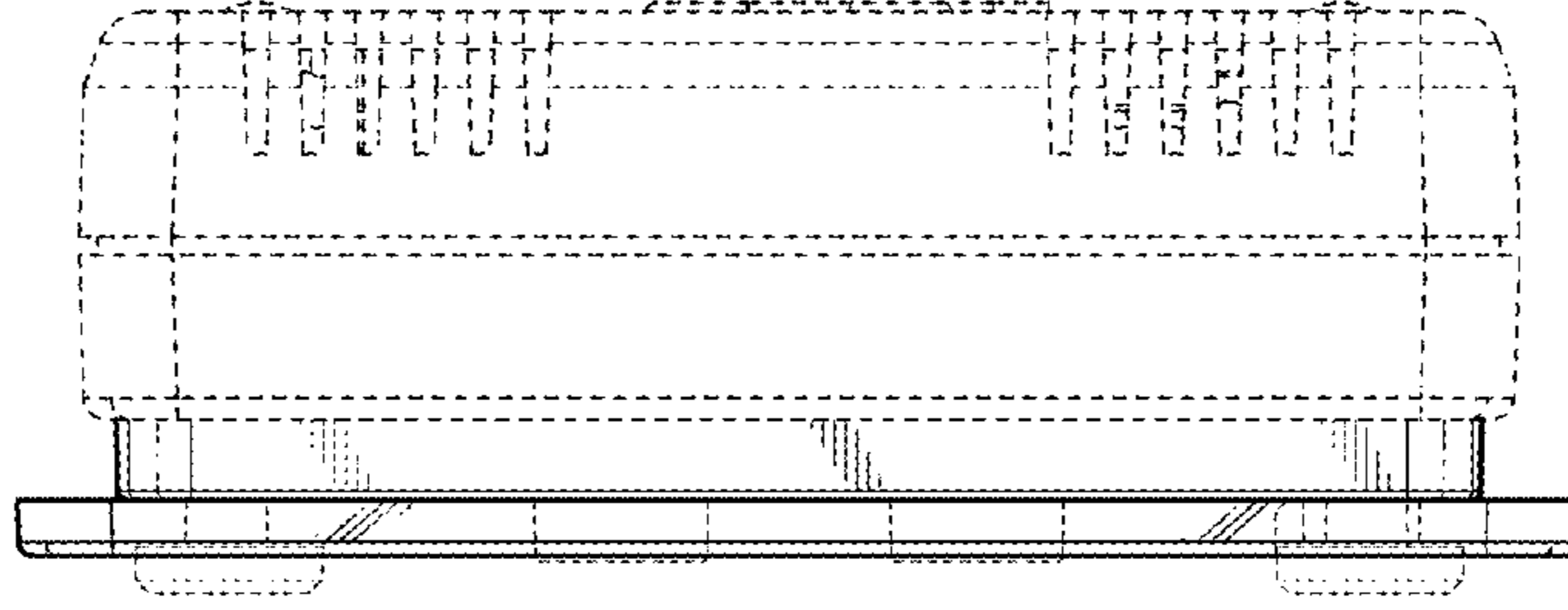


FIG. 70

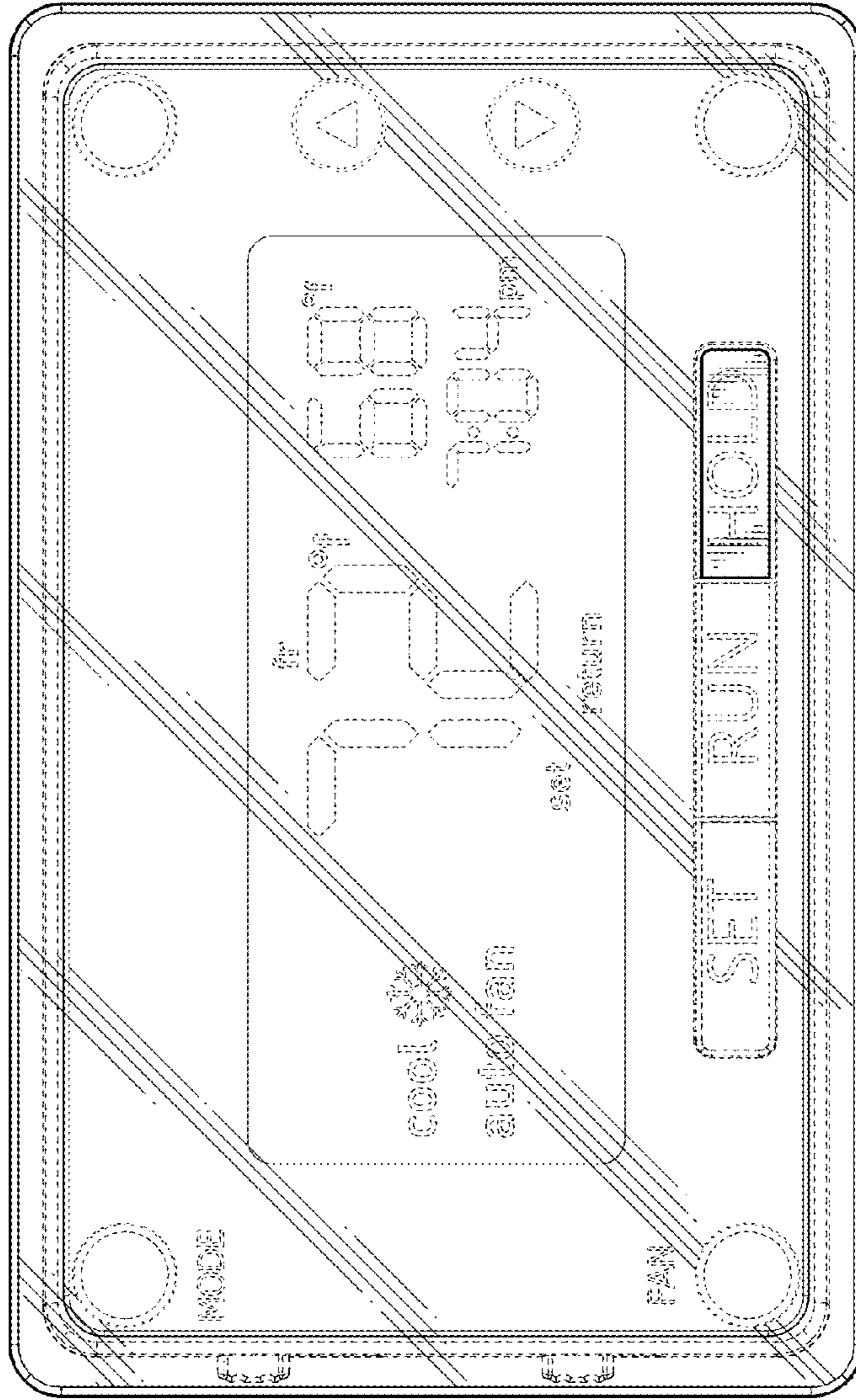


FIG. 67

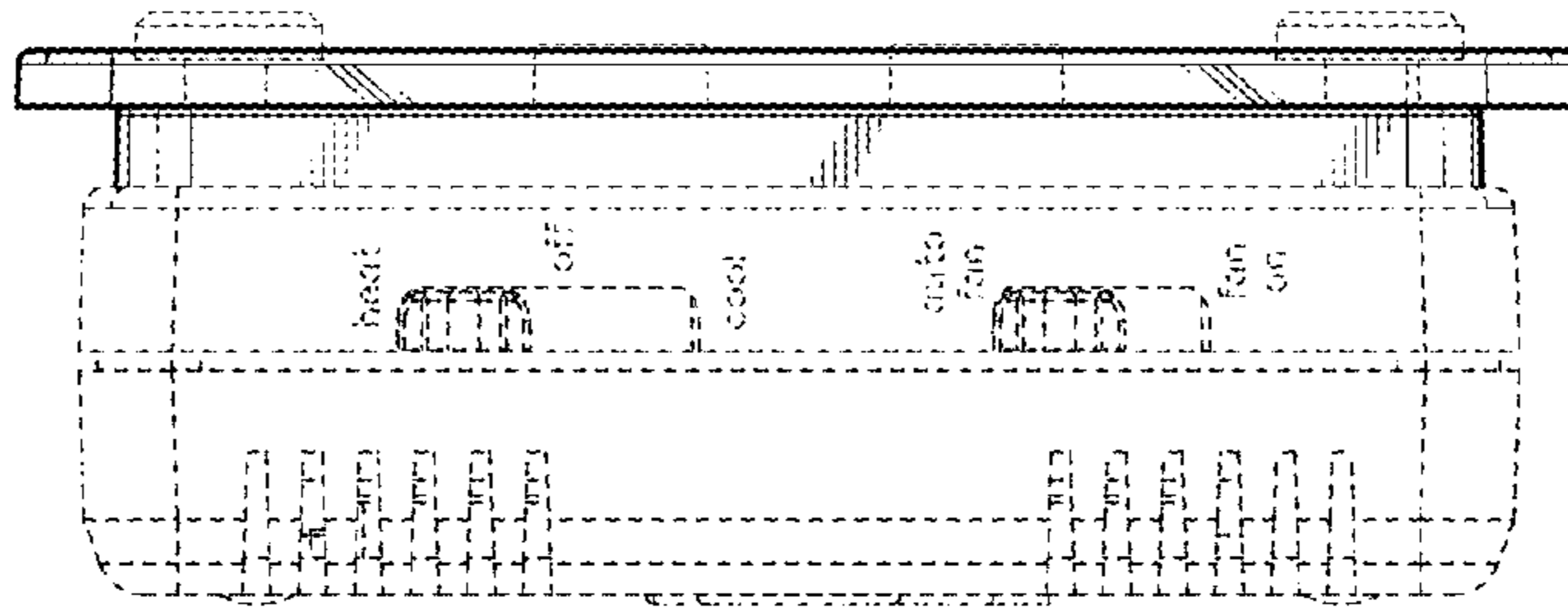


FIG. 69