



US00D705092S

(12) **United States Design Patent**  
**Edgar**

(10) **Patent No.:** **US D705,092 S**

(45) **Date of Patent:** **\*\* May 20, 2014**

(54) **THERMOSTAT**

(71) Applicant: **Jeffrey Steven Edgar**, Boulder, CO (US)

(72) Inventor: **Jeffrey Steven Edgar**, Boulder, CO (US)

(73) Assignee: **Prol IAQ Inc.**, Springfield, MO (US)

(\*\*) Term: **14 Years**

(21) Appl. No.: **29/444,274**

(22) Filed: **Jan. 29, 2013**

(51) **LOC (10) Cl.** ..... **10-04**

(52) **U.S. Cl.**  
USPC ..... **D10/50**

(58) **Field of Classification Search**

USPC ..... D10/49-50; D13/162; 55/270, 274, 55/279, DIG. 7, DIG. 34; 62/176.6, 62/125-130, 78, 180, 186; 73/23.2, 23.34, 73/31.01, 31.02, 431, 170.16-170.19, 73/170.21-170.25, 863.12, 29, 29.02, 73/335.01-335.14; 236/46 R, 47, 94, 44 C, 236/44 R, 49.3, 44 A, 96; 337/112, 327, 360; 340/602, 627, 632, 634; 361/346; 364/141, 146, 147, 188, 420, 557; 454/229, 239, 256, 257, 258; 700/18, 700/159, 181, 278

See application file for complete search history.

(56) **References Cited**

U.S. PATENT DOCUMENTS

D646,187 S *	10/2011	Edgar	.....	D10/50
D662,838 S *	7/2012	Morrow	.....	D10/50
D662,839 S *	7/2012	Morrow	.....	D10/50
D662,840 S *	7/2012	Morrow	.....	D10/50
D663,224 S *	7/2012	Morrow	.....	D10/50
D666,927 S *	9/2012	Krumpe et al.	.....	D10/50

\* cited by examiner

*Primary Examiner* — Antoine D Davis

(74) *Attorney, Agent, or Firm* — Clark & Brody

(57) **CLAIM**

The ornamental design for a thermostat, as shown and described.

**DESCRIPTION**

FIG. 1 is a front perspective view of a thermostat showing my new design.

FIG. 2 is a front view thereof.

FIG. 3 is a left side elevation view thereof. The right side elevation view is a mirror image of FIG. 3.

FIG. 4 is a top plan view thereof.

FIG. 5 is a bottom view thereof; and,

FIG. 6 is a rear elevation view thereof.

**1 Claim, 5 Drawing Sheets**

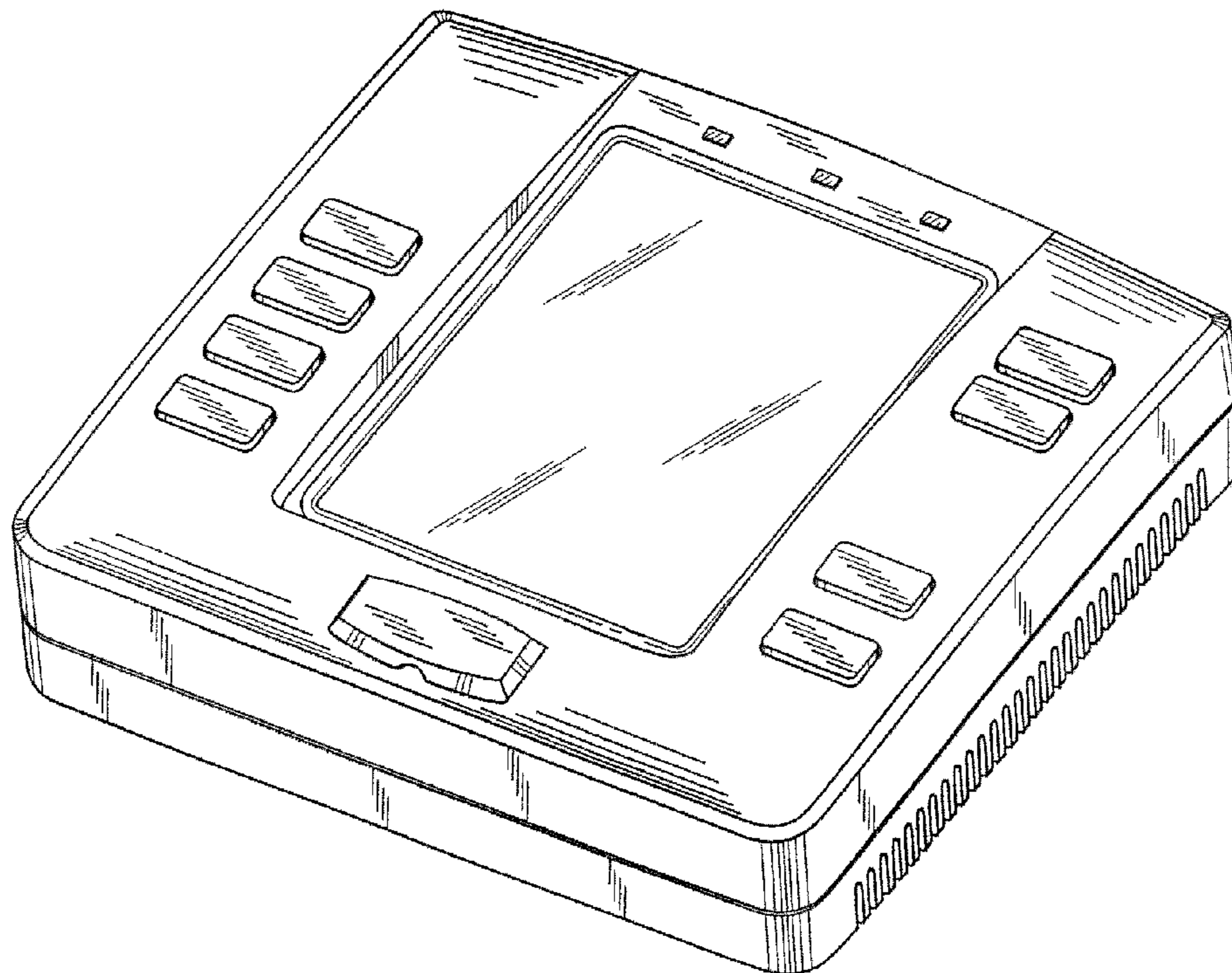


FIG. 1

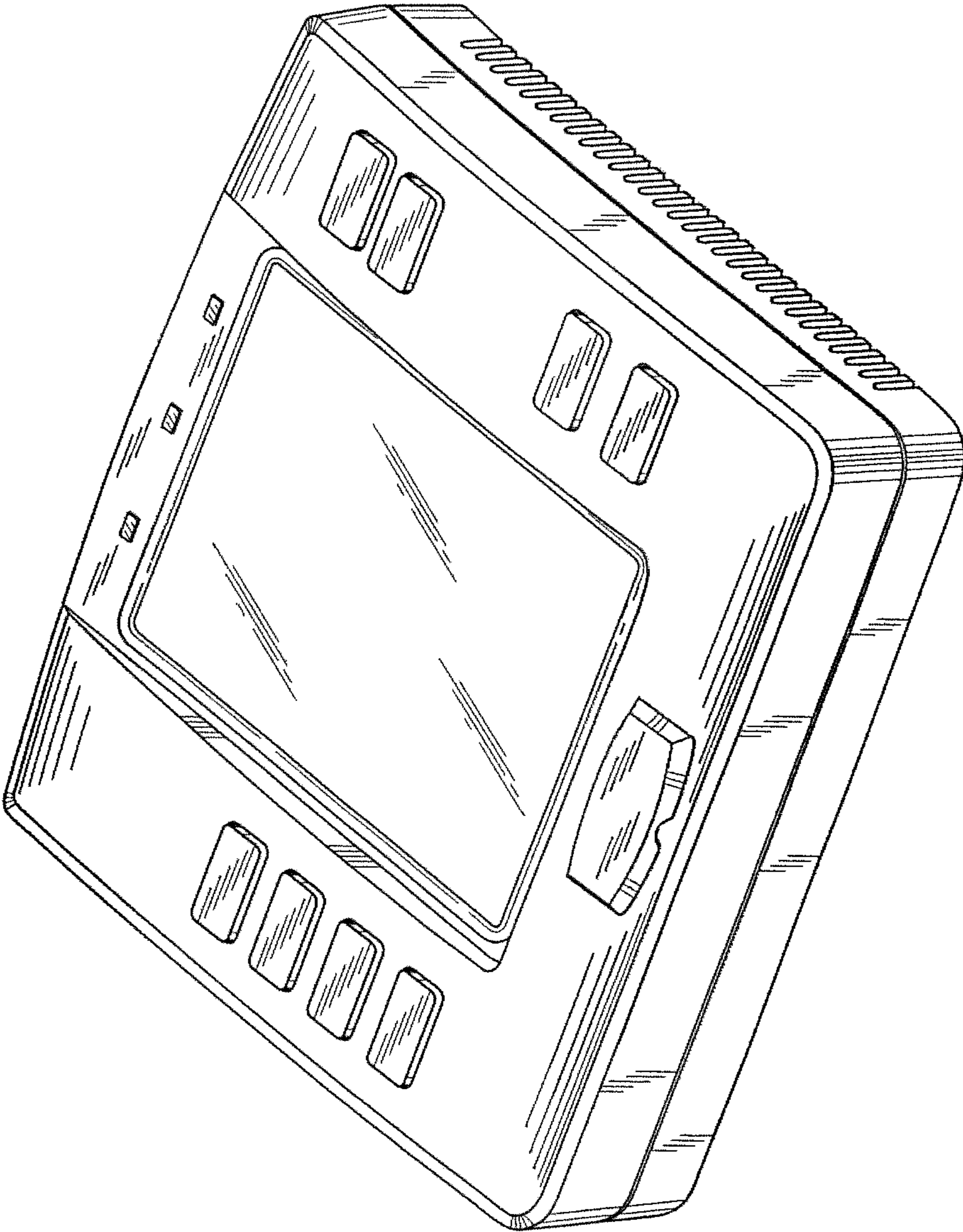


FIG. 2

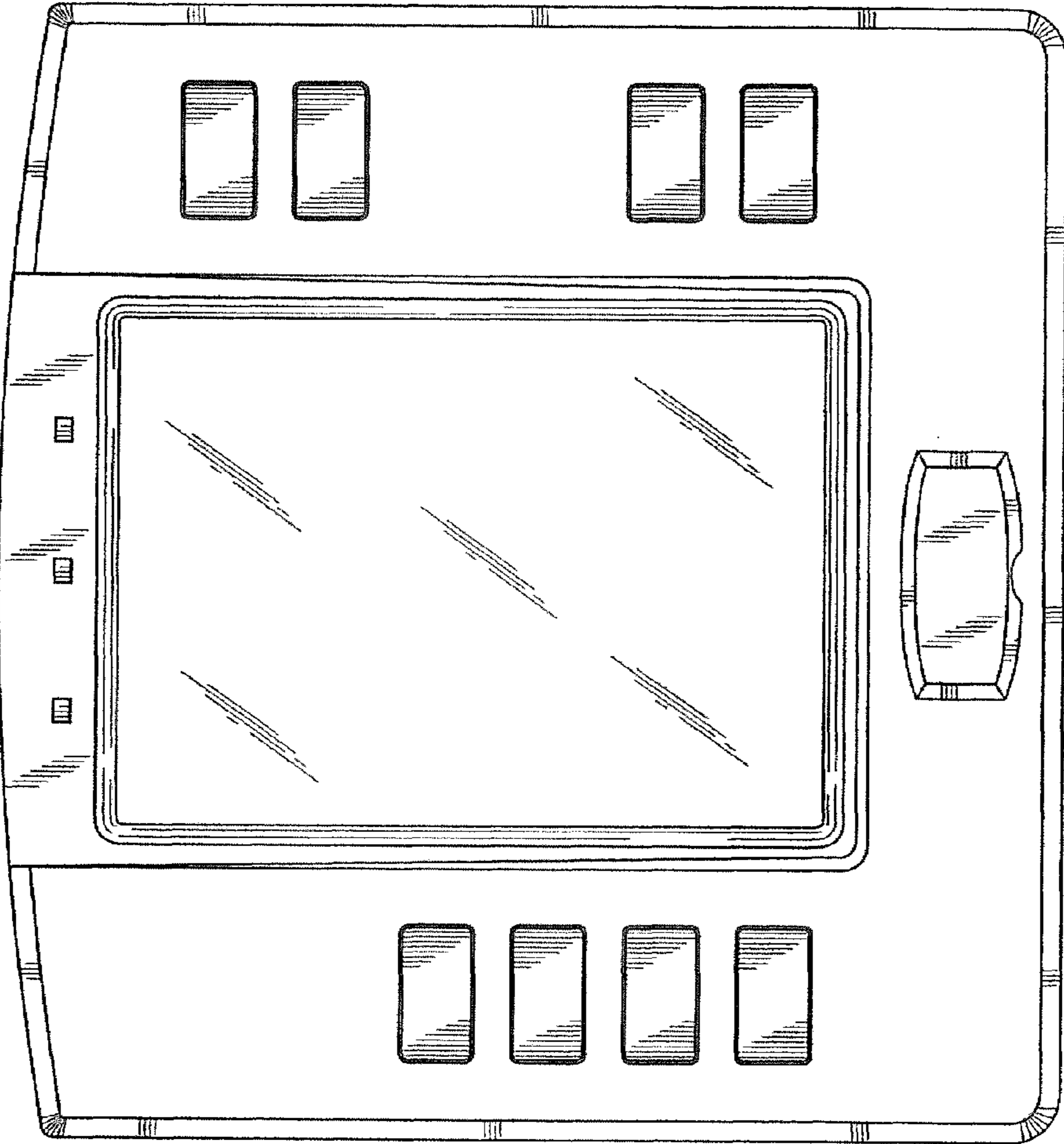


FIG. 3

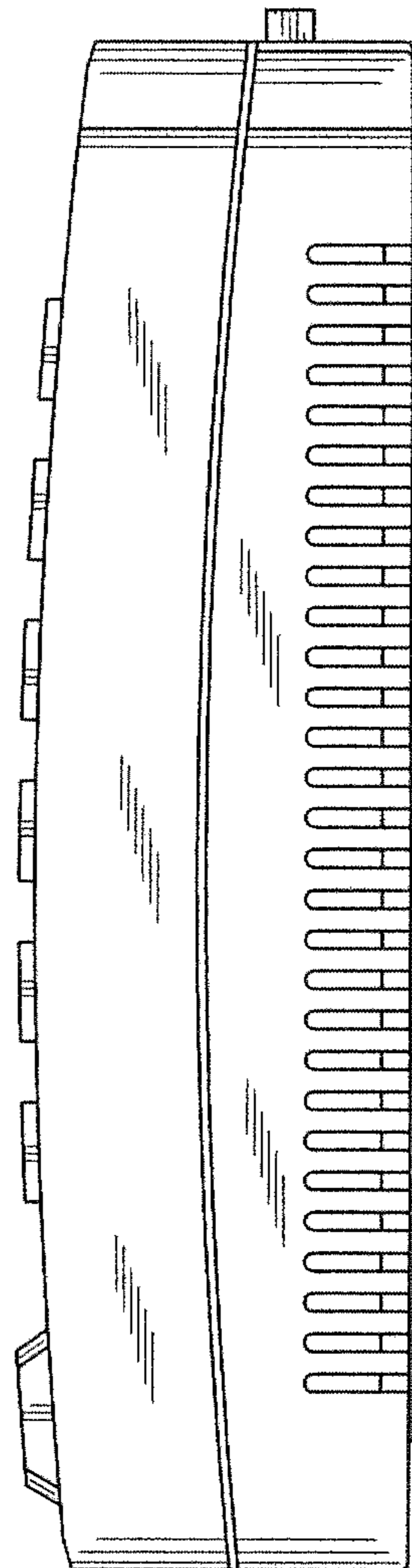


FIG. 4

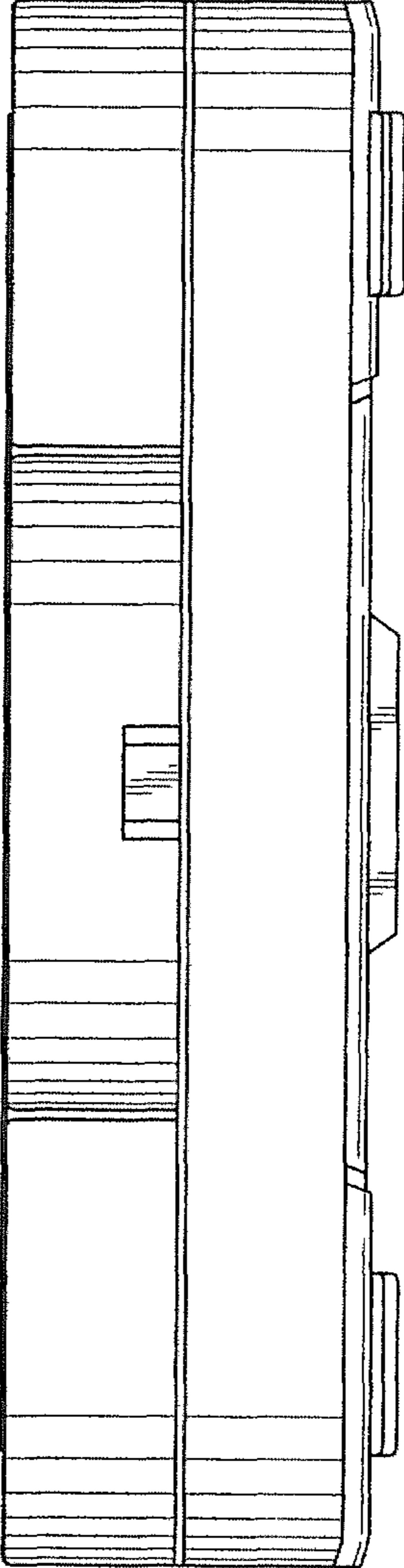


FIG. 5

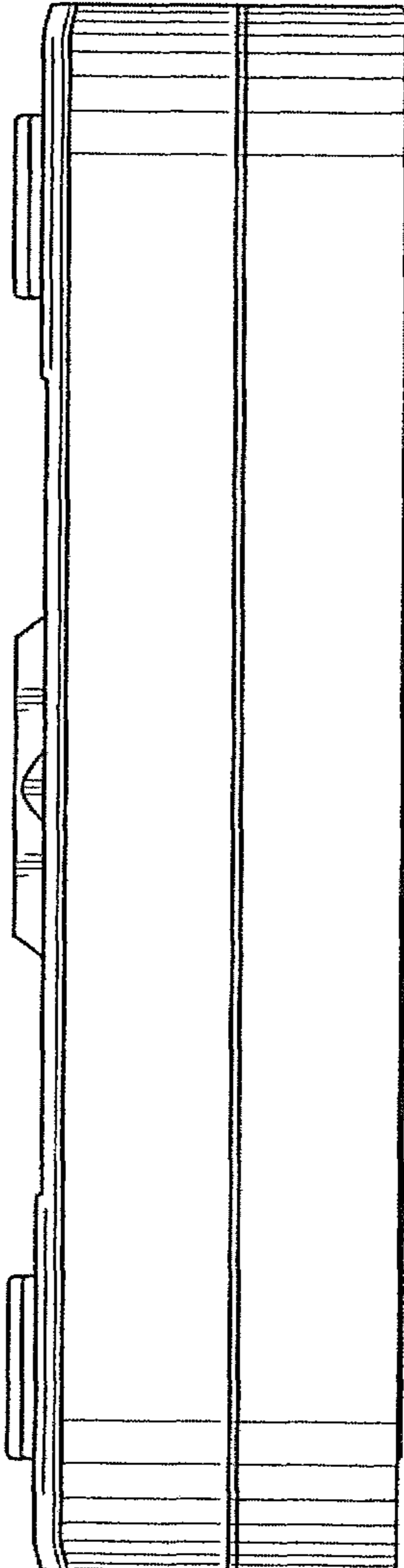


FIG. 6

