



US00D705091S

(12) **United States Design Patent**
Andersson et al.

(10) **Patent No.:** **US D705,091 S**

(45) **Date of Patent:** **** *May 20, 2014**

(54) **HVAC CONTROL DEVICE**

(75) Inventors: **Jan Andersson**, Erlangen (DE); **Lee Edwards**, Newcastle-Under-Lyme (GB); **Lyndon Shenton**, Newcastle-Under-Lyme (GB)

(73) Assignee: **Siemens Aktiengesellschaft**, München (DE)

(*) Notice: This patent is subject to a terminal disclaimer.

(**) Term: **14 Years**

(21) Appl. No.: **29/345,471**

(22) Filed: **Oct. 16, 2009**

(30) **Foreign Application Priority Data**

Apr. 17, 2009 (EM) 001131718

(51) **LOC (10) Cl.** **10-04**

(52) **U.S. Cl.**
USPC **D10/50**

(58) **Field of Classification Search**
USPC D10/49-50; D13/162; 55/270, 274, 55/DIG. 7, 34; 62/176.6, 125-130, 78, 62/180, 186; 73/23.2, 23.34, 31.01, 31.02, 73/431, 170.16-170.19, 170.21-170.25, 73/863.12, 29, 29.02, 335.01-335.14; 236/46 R, 47, 94, 44 C, 44 R, 49.3, 44 A, 236/96; 337/112, 327, 360; 340/602, 627, 340/632, 634; 361/346; 364/141, 146, 147, 364/188, 420, 557; 454/229, 239, 256, 257, 454/258; 700/18, 159, 181, 278

See application file for complete search history.

(56) **References Cited**

U.S. PATENT DOCUMENTS

D204,311 S * 4/1966 Stahl D10/124
D271,569 S * 11/1983 Lui et al. D10/49

(Continued)

Primary Examiner — Antoine D Davis

(74) *Attorney, Agent, or Firm* — Henry M. Feiereisen LLC; Ursula B. Day

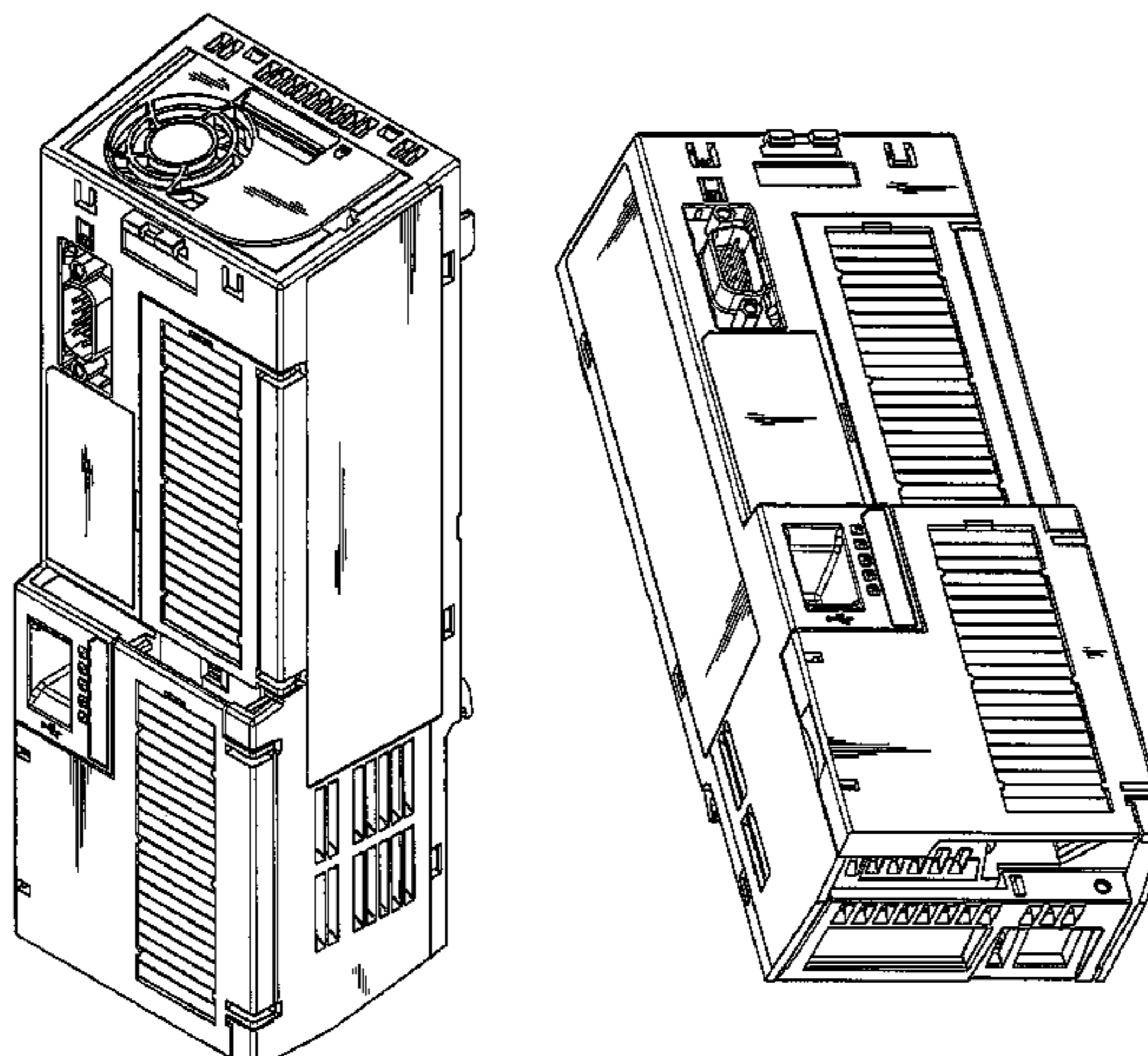
(57) **CLAIM**

The ornamental design for an HVAC control device, as shown and described.

DESCRIPTION

FIG. 1 is a front elevational view of an HVAC control device showing our new design;
FIG. 2 is a rear elevational view thereof;
FIG. 3 is a top plan view thereof;
FIG. 4 is a bottom plan view thereof;
FIG. 5 is a left side elevational view thereof;
FIG. 6 is a right side elevational view thereof;
FIG. 7 is a top, front and side perspective view thereof, and
FIG. 8 is front, bottom and side view perspective view thereof;
FIG. 9 is a front elevational view of the HVAC control device with opened front;
FIG. 10 is a top, front and partial side view with opened front
FIG. 11 is a side front and bottom perspective view with opened front;
FIG. 12 is a front elevational view of a second embodiment of the HVAC control device;
FIG. 13 is a rear elevational view of thereof;
FIG. 14 is a top plan view thereof;
FIG. 15 is a bottom plan view thereof;
FIG. 16 is a left side elevational view thereof;
FIG. 17 is a right side elevational view thereof;
FIG. 18 is a top, front and side perspective perspective view thereof;
FIG. 19 is a side, front and bottom perspective view thereof;
FIG. 20 is a front elevational view with an opened front;
FIG. 21 is a top, front and partial side perspective view thereof, with an opened front; and,
FIG. 22 is a side, bottom from perspective view thereof, with an opened front.

1 Claim, 22 Drawing Sheets



US D705,091 S

Page 2

(56)

References Cited

U.S. PATENT DOCUMENTS

4,464,653 A * 8/1984 Winner 340/501
D290,818 S * 7/1987 Tomozawa et al. D10/49
D307,708 S * 5/1990 Moriyama et al. D13/164

6,798,341 B1 * 9/2004 Eckel et al. 340/521
D609,195 S * 2/2010 Yamashita et al. D13/162
8,056,349 B2 * 11/2011 Oswald 62/186
D677,587 S * 3/2013 Mueller et al. D10/49

* cited by examiner

FIG 1

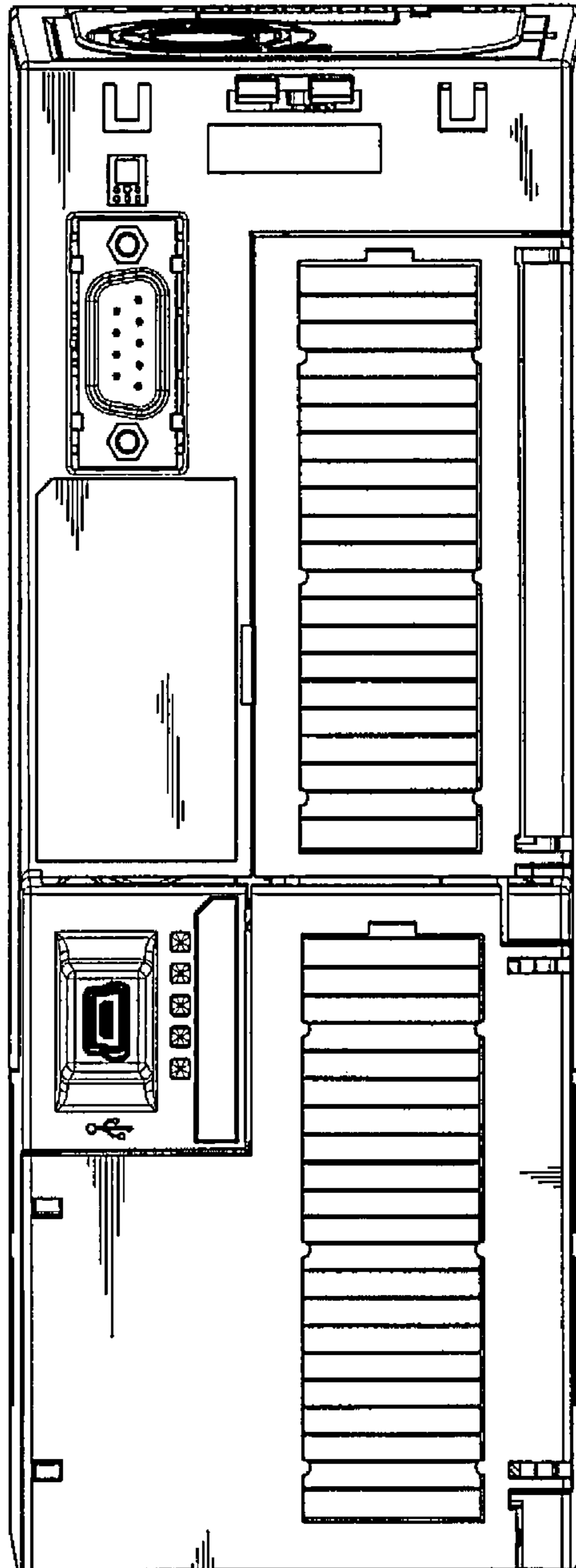


FIG 2

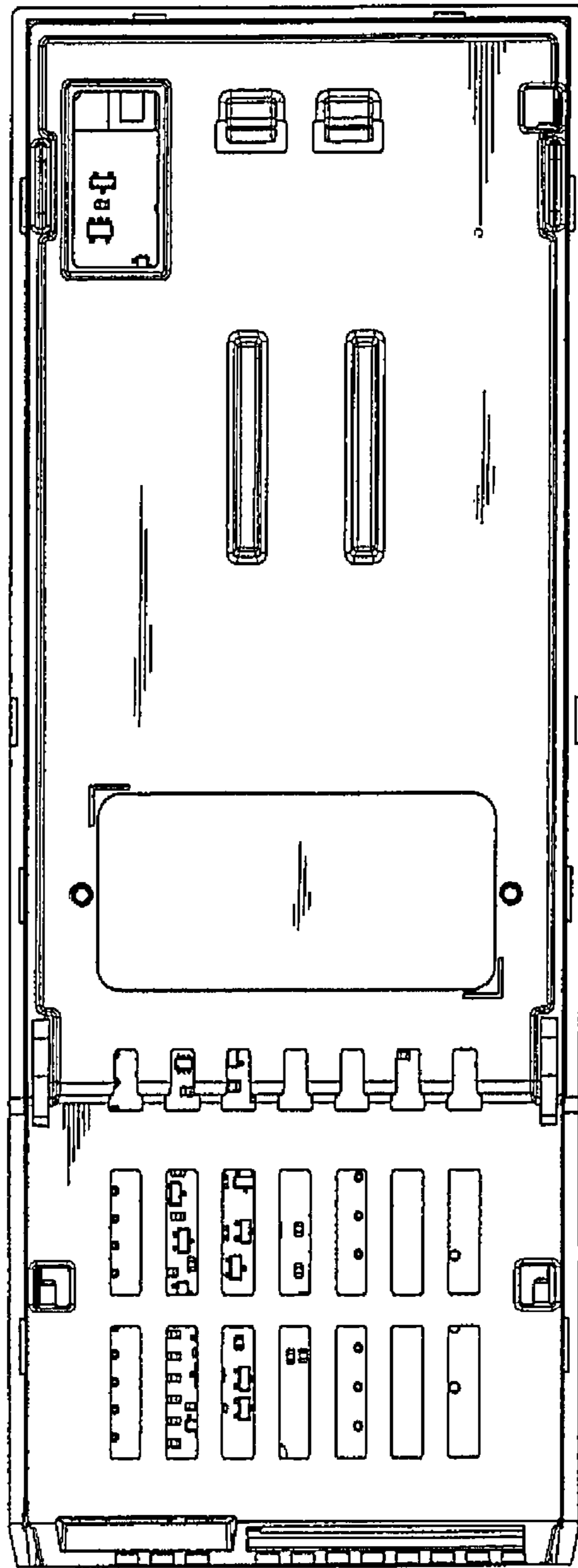


FIG 3

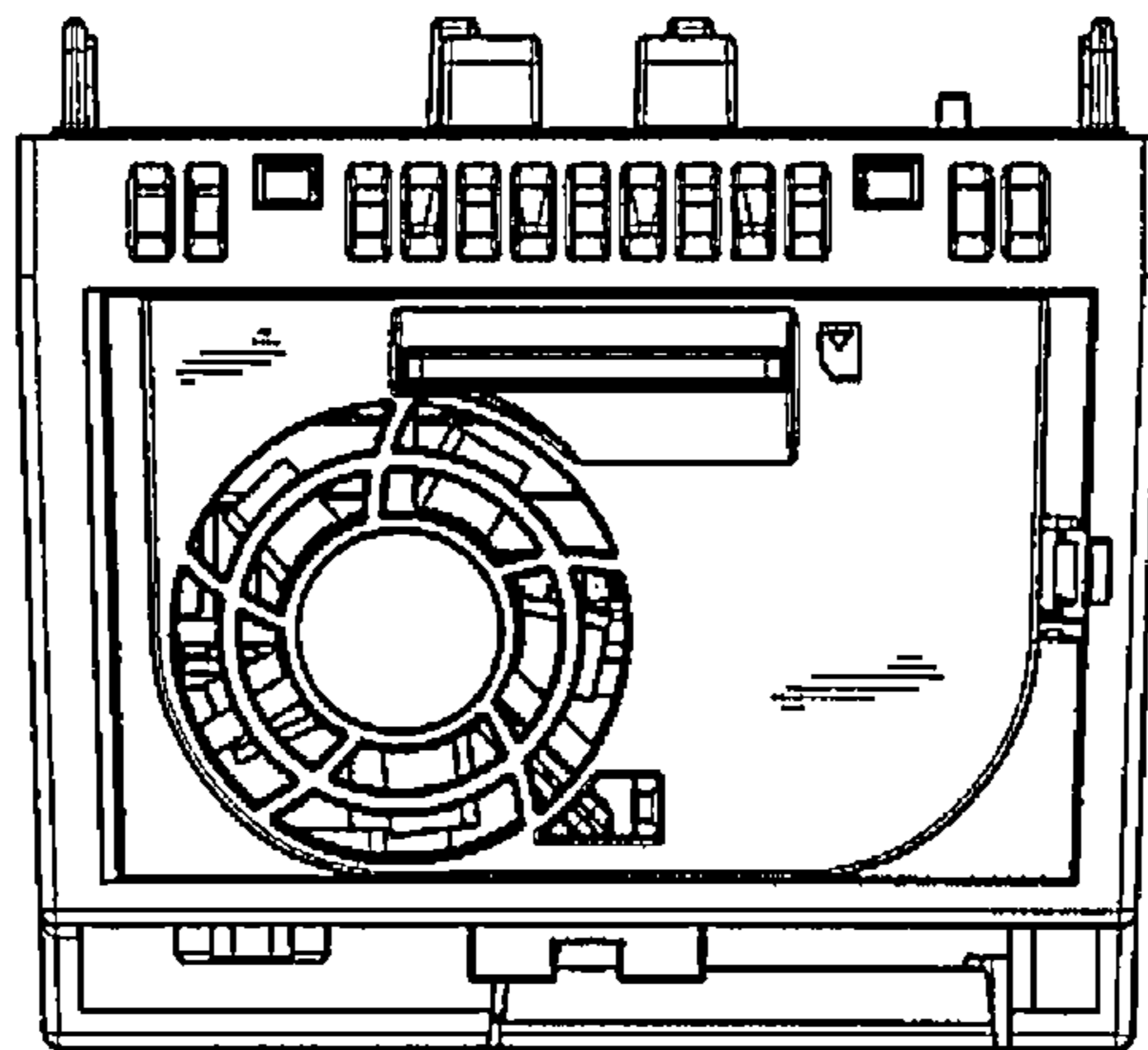


FIG 4

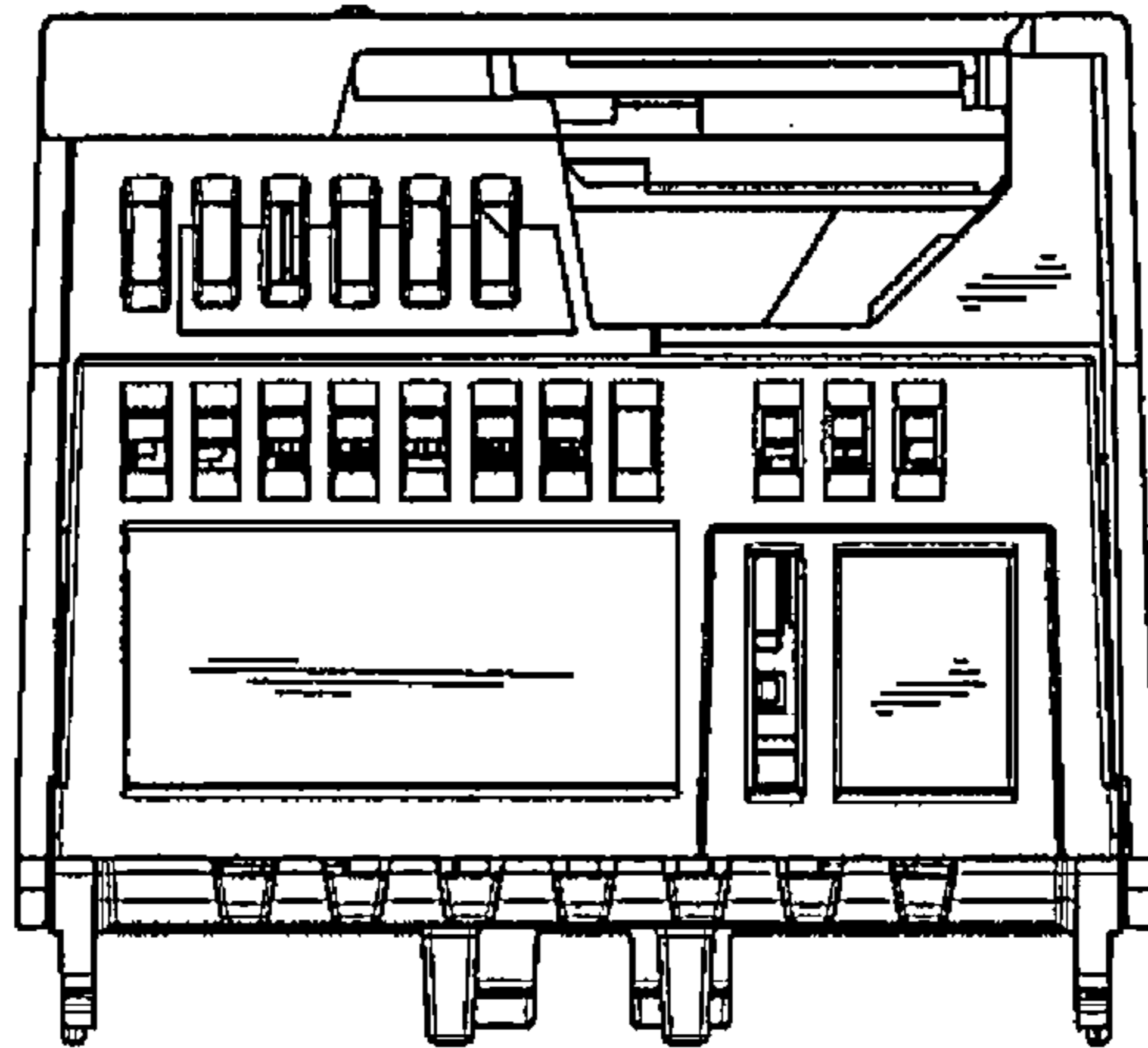


FIG 5

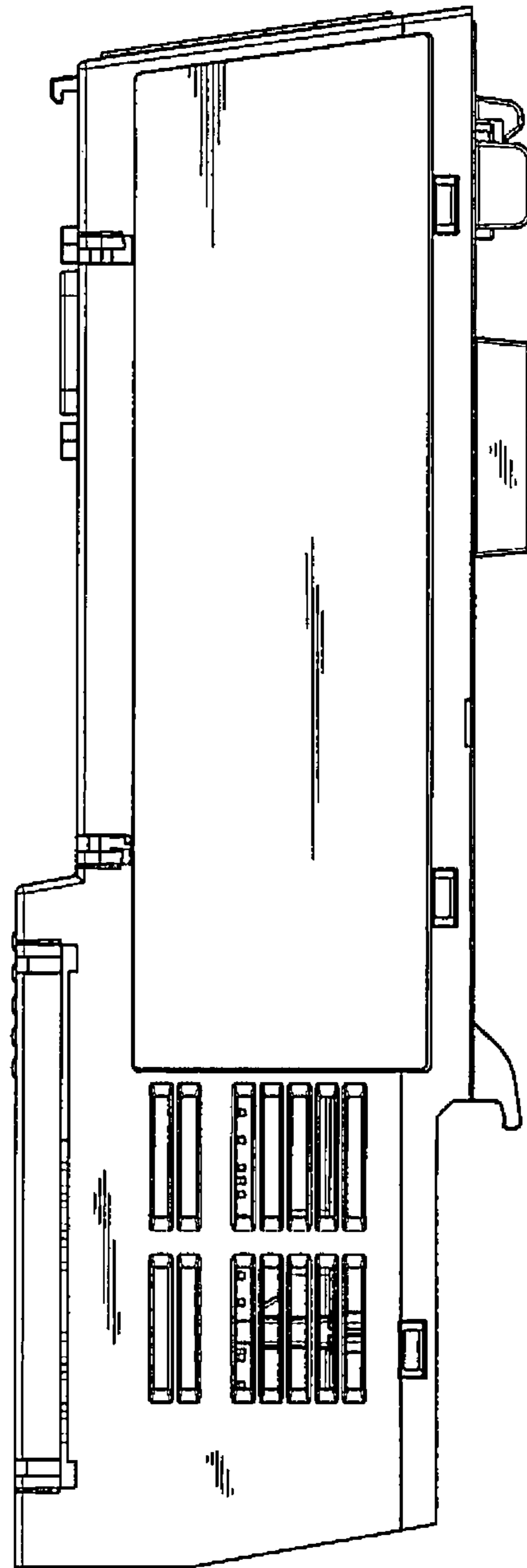


FIG 6

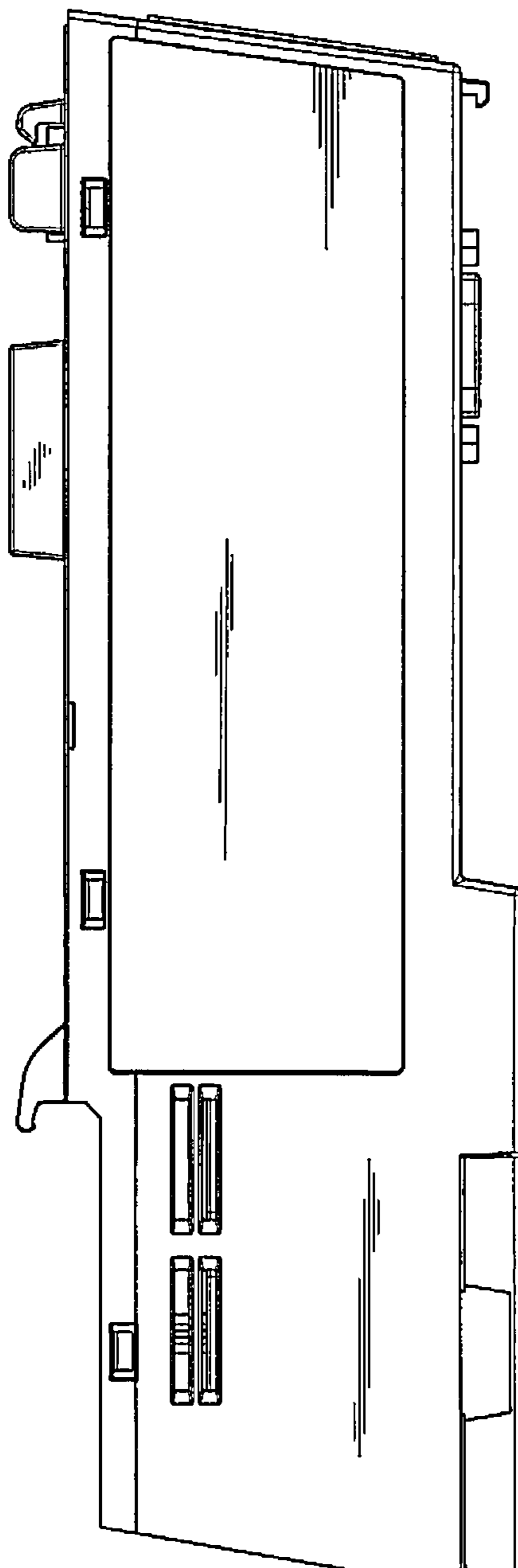


FIG 7

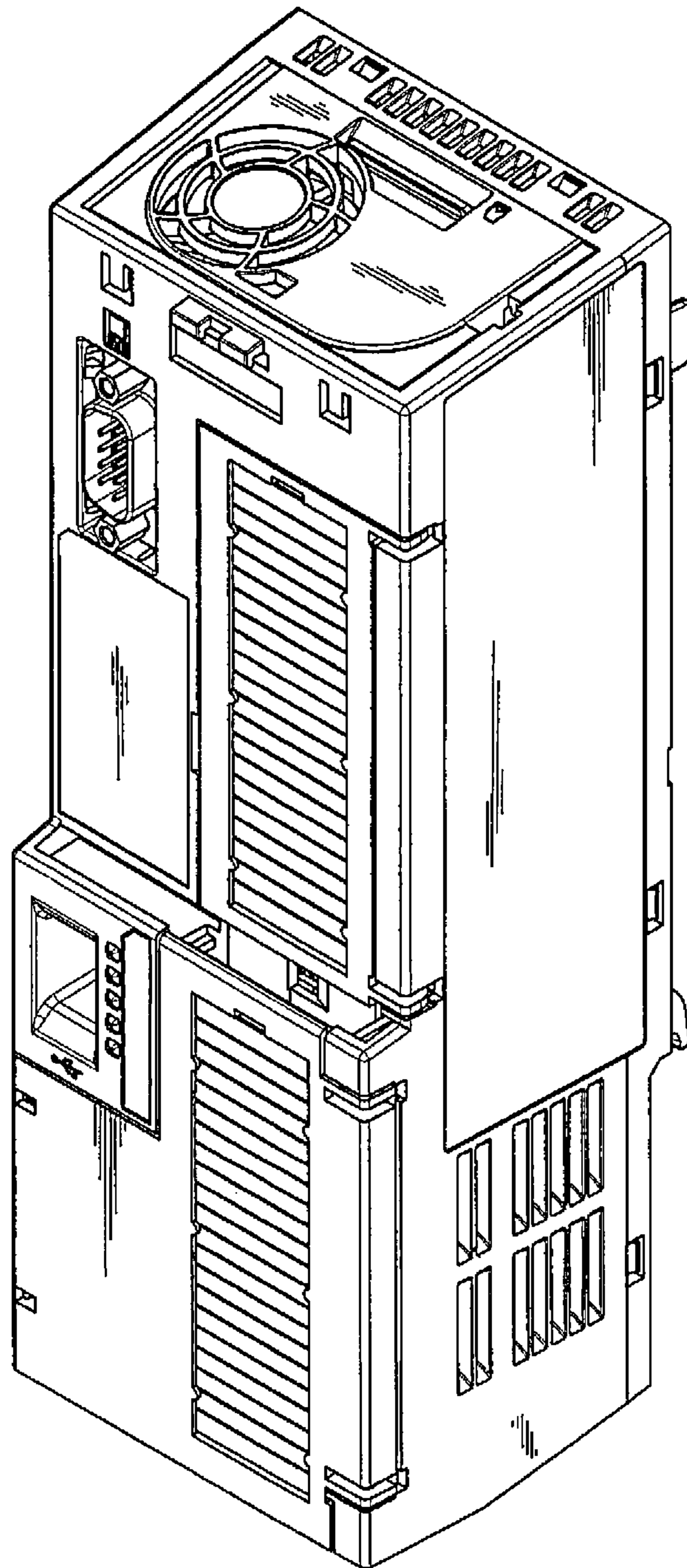


FIG 8

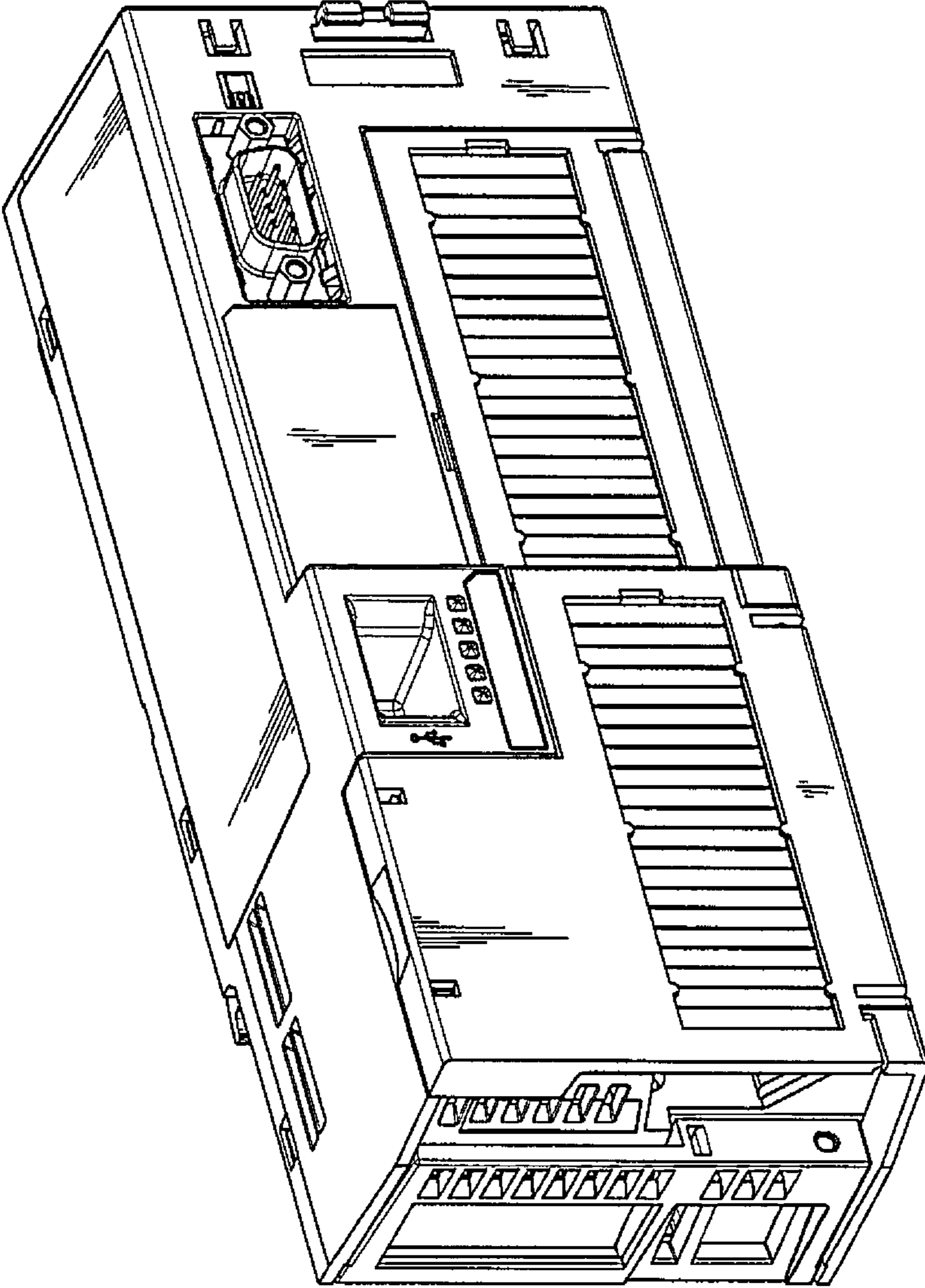


FIG 9

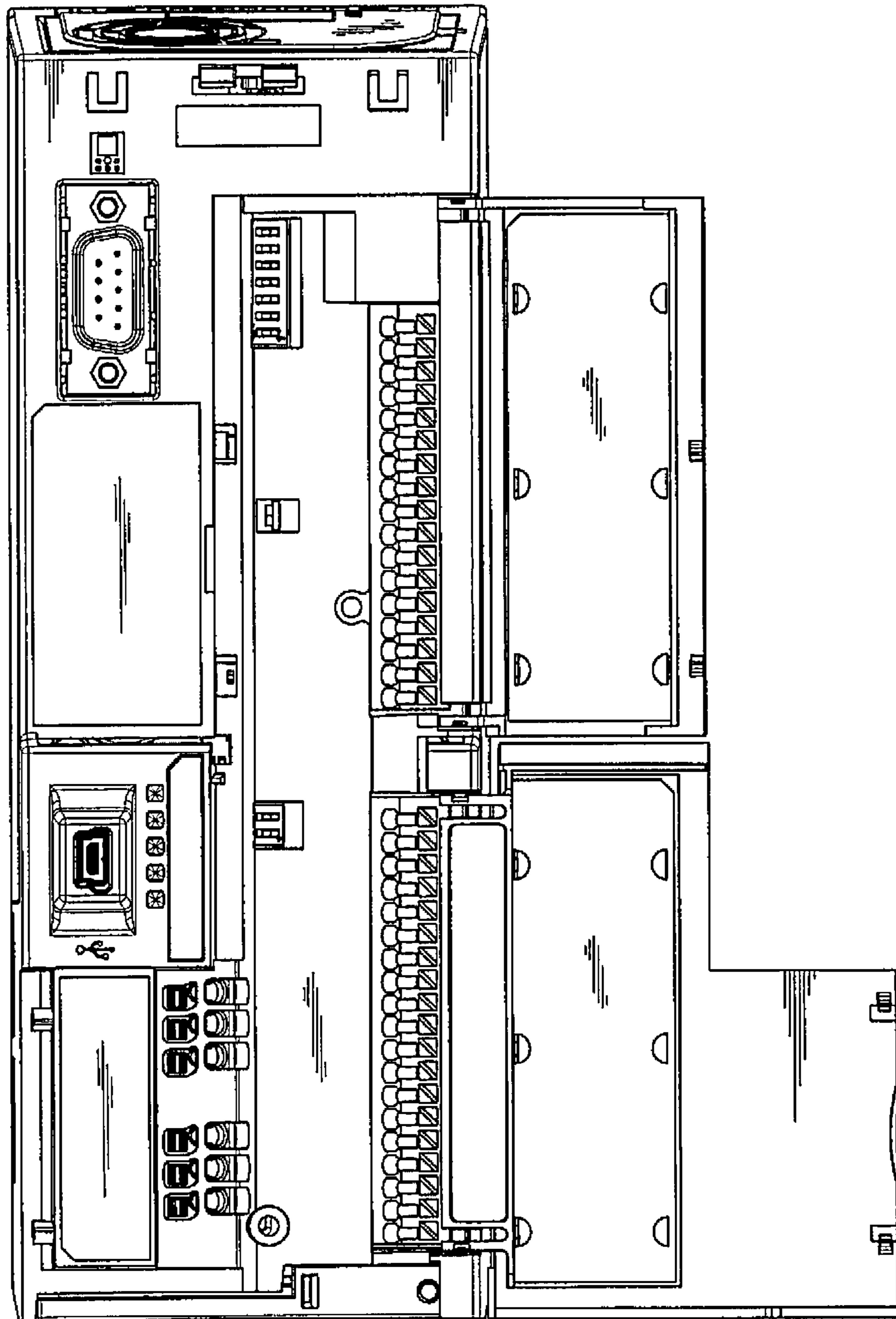


FIG 10

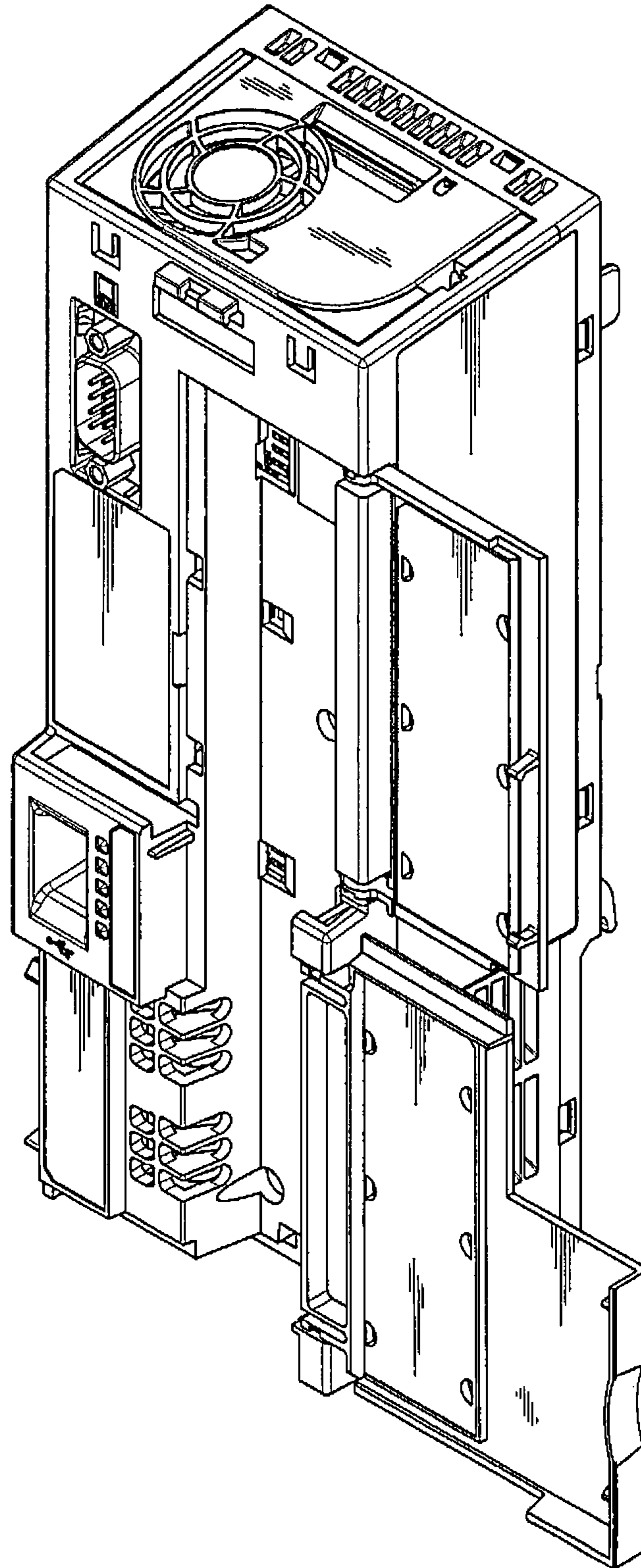


FIG 11

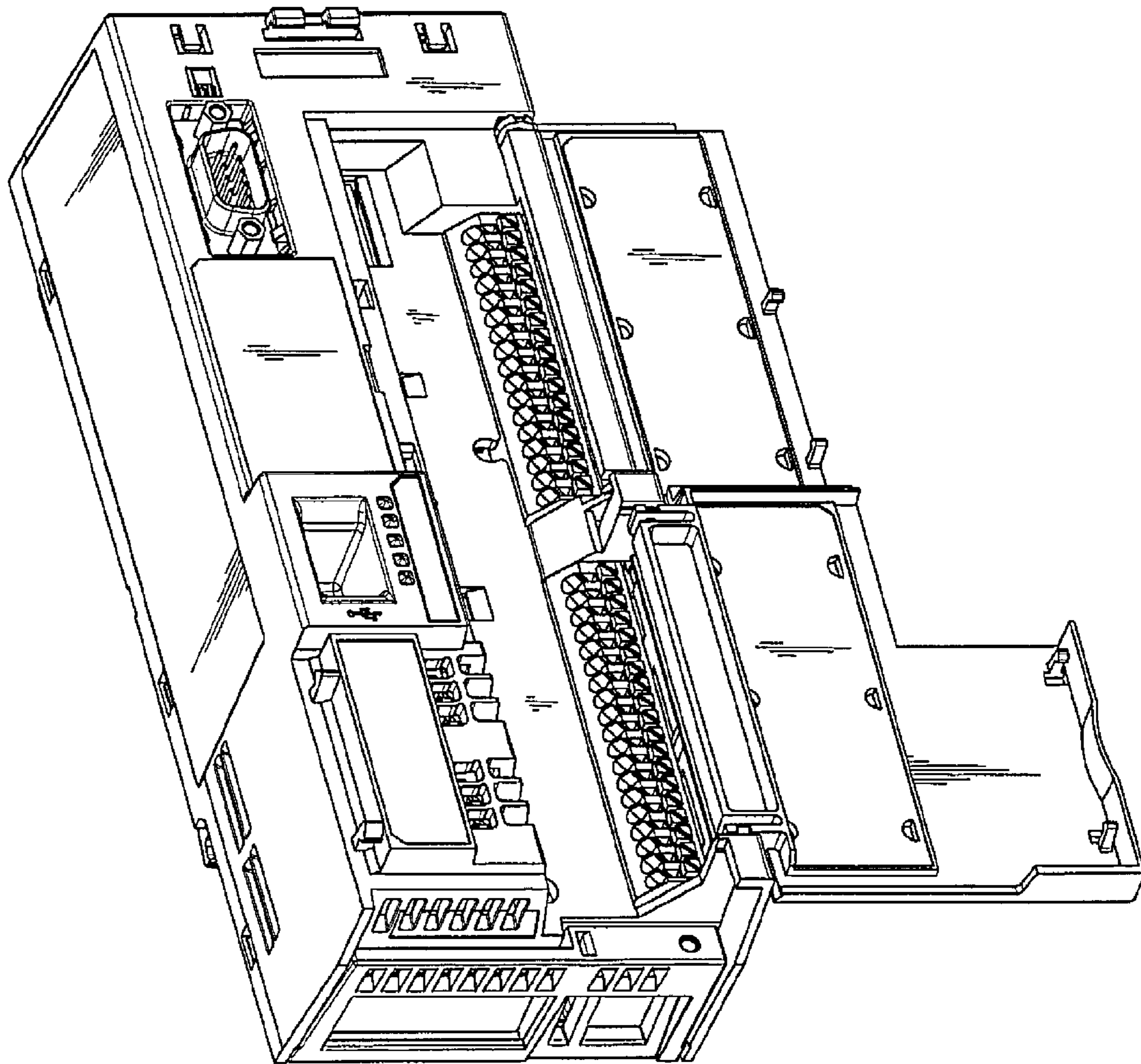


FIG 12

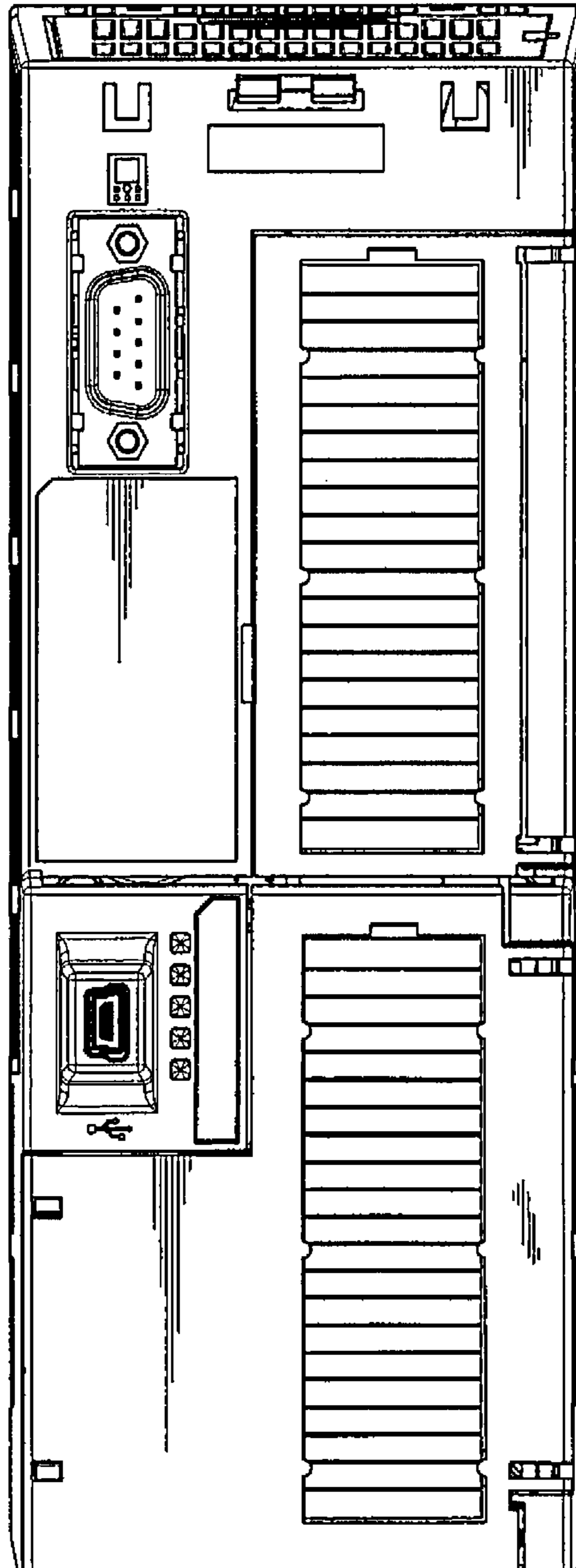


FIG 13

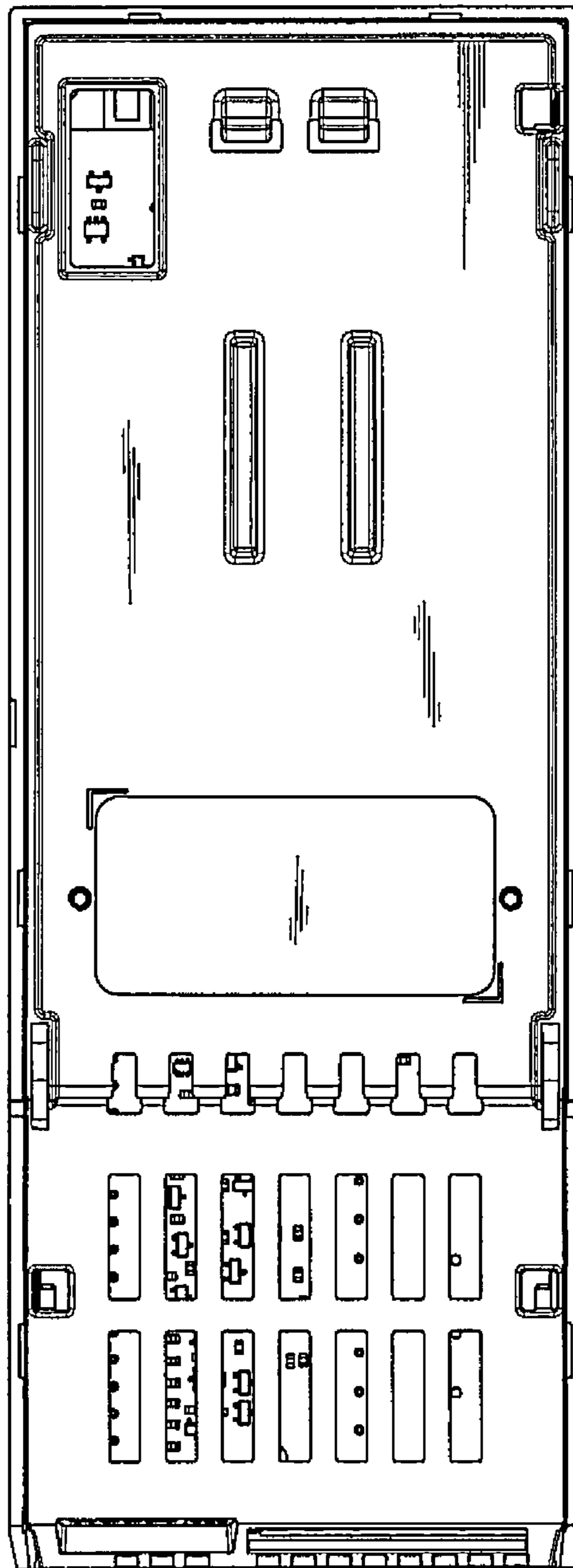


FIG 14

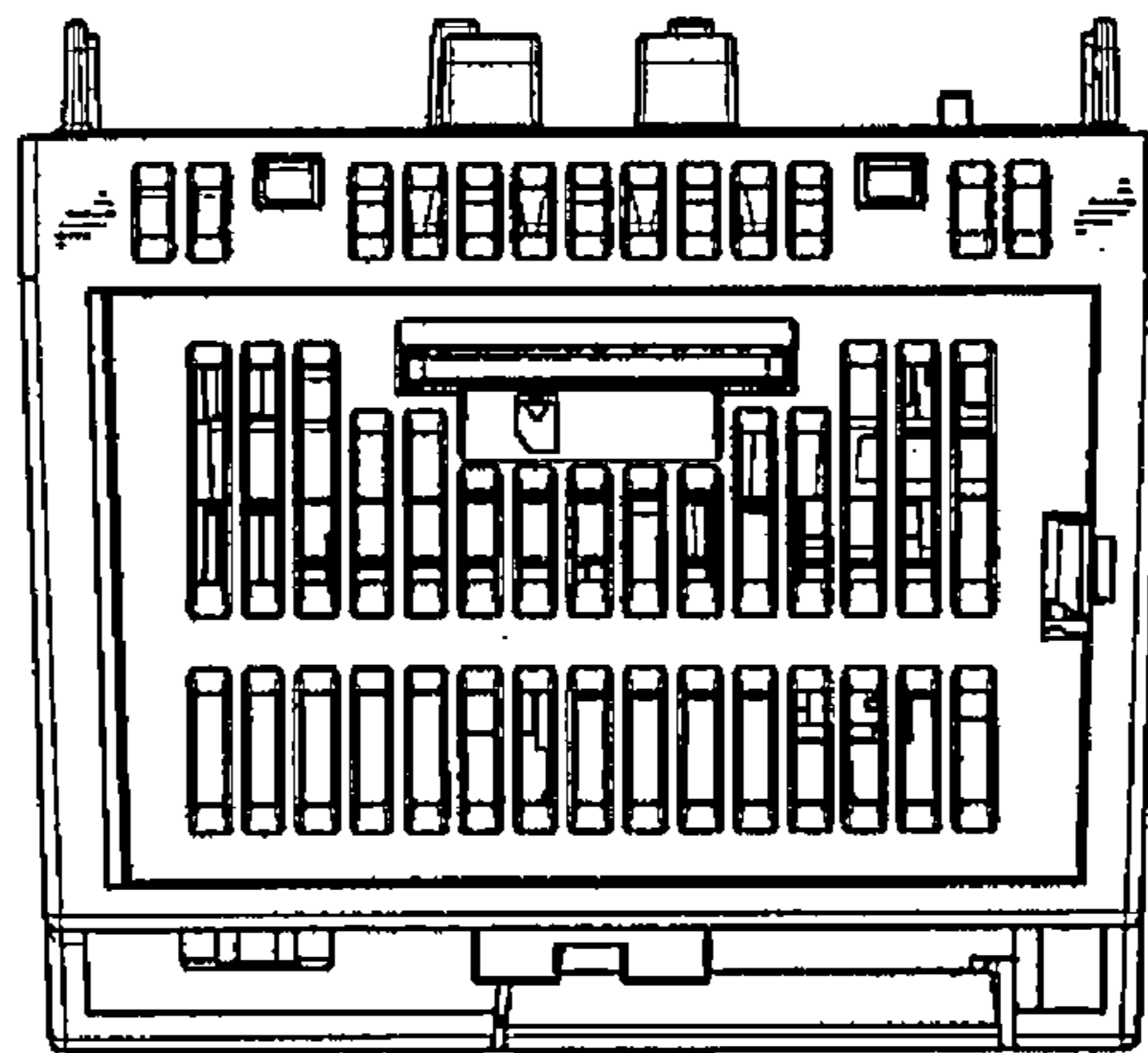


FIG 15

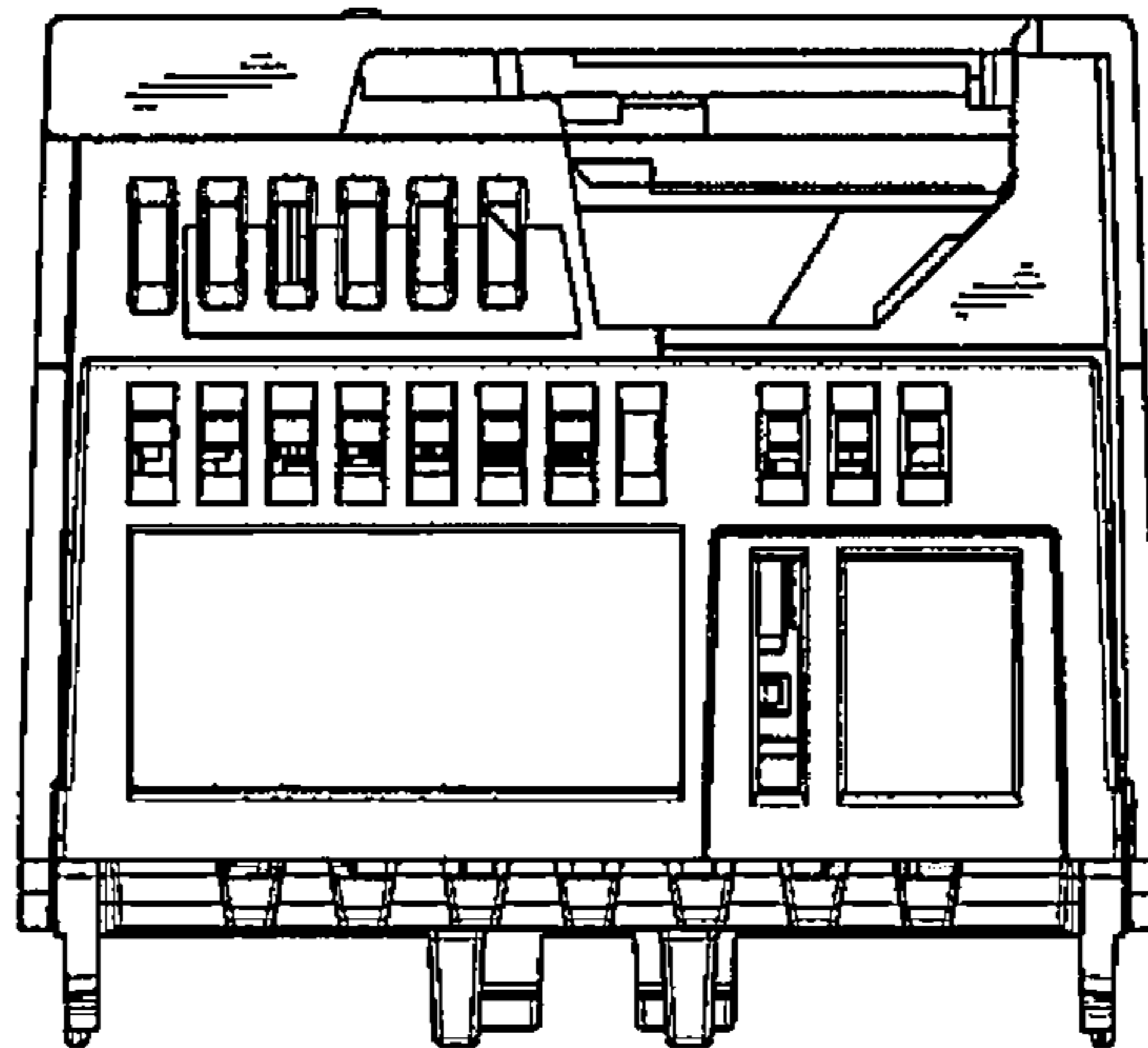


FIG 16

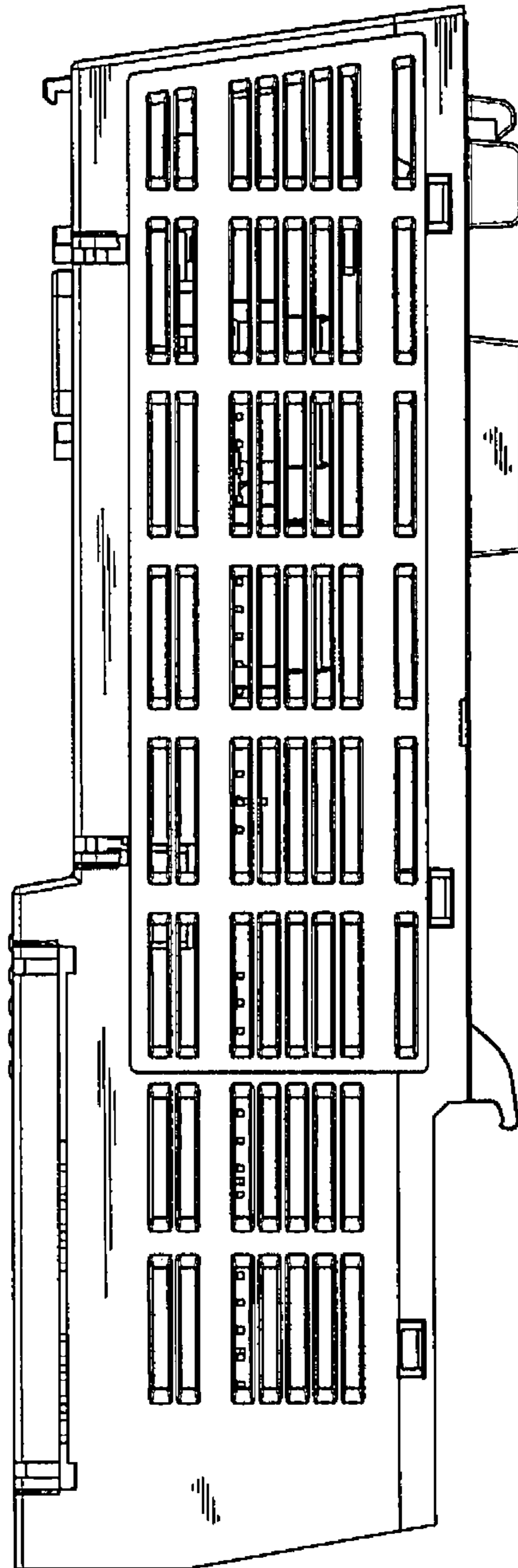


FIG 17

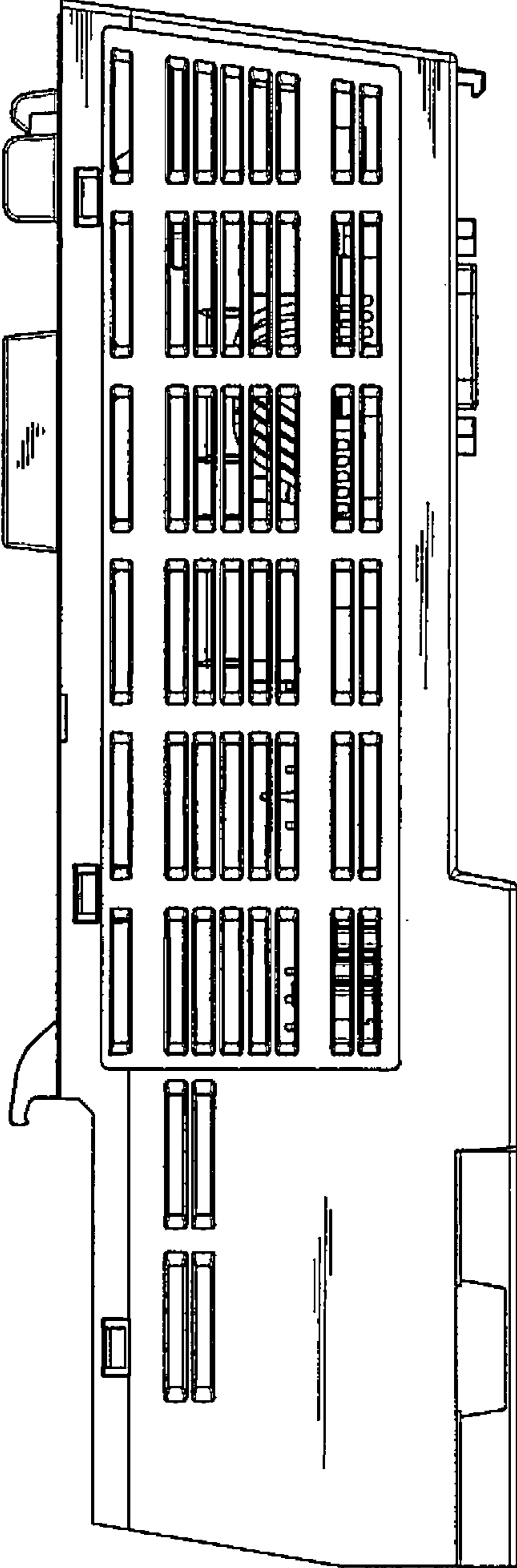


FIG 18

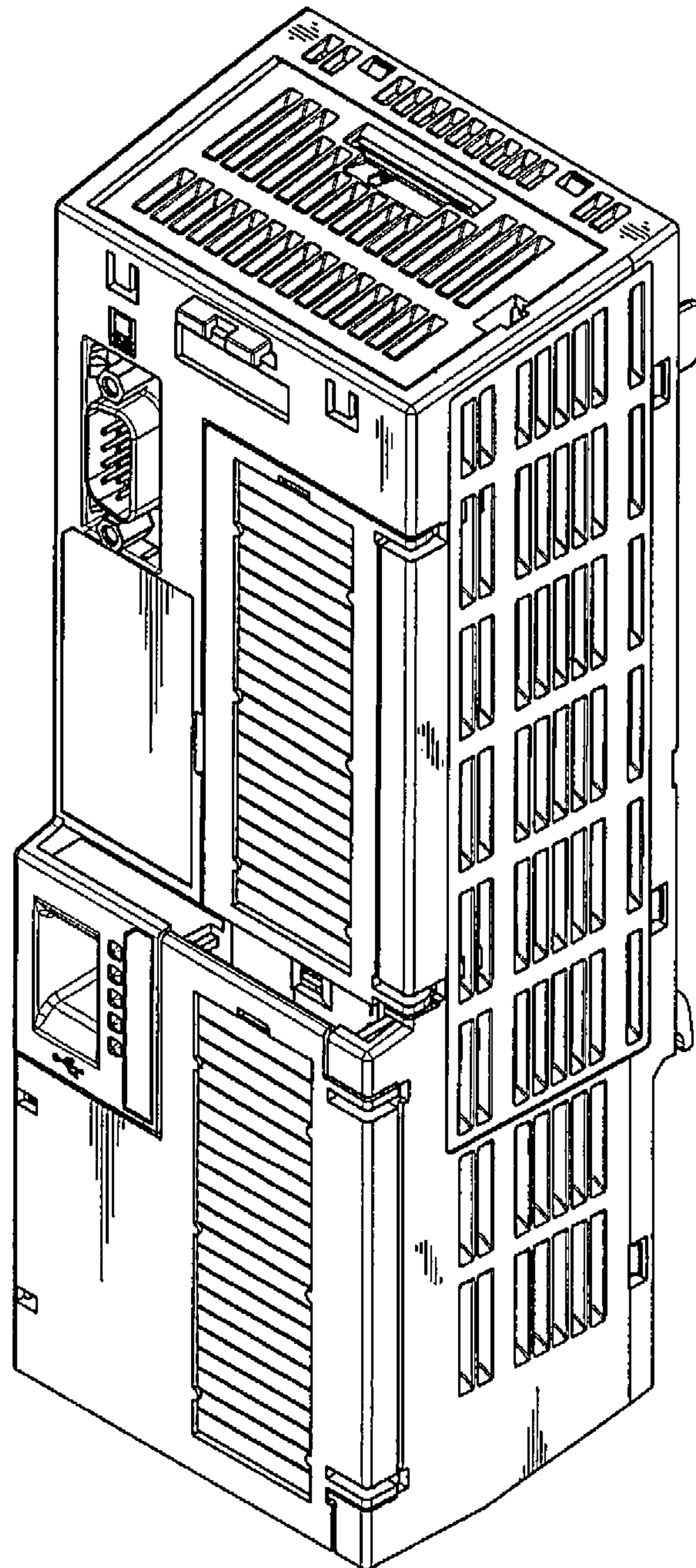


FIG 19

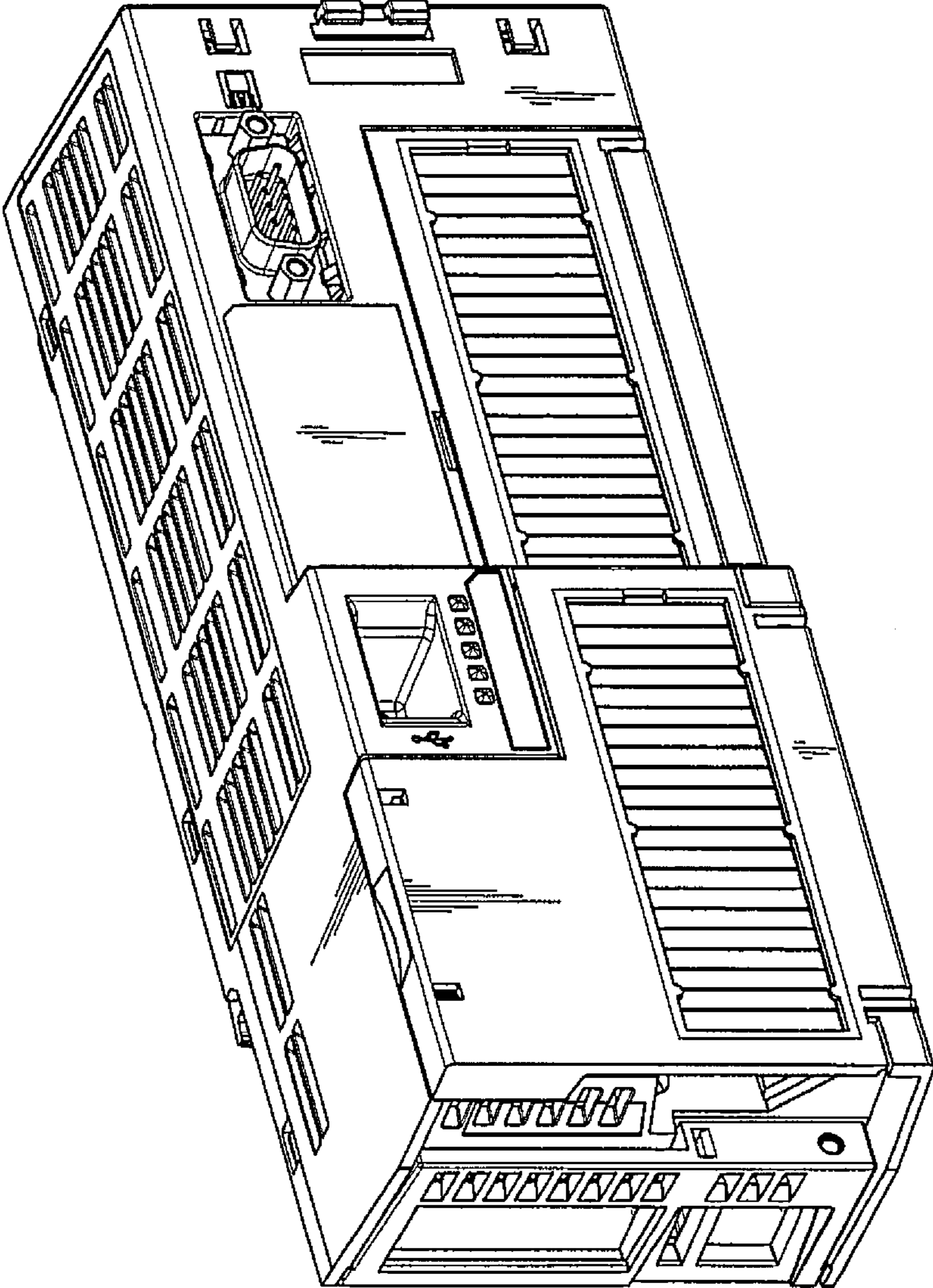


FIG 20

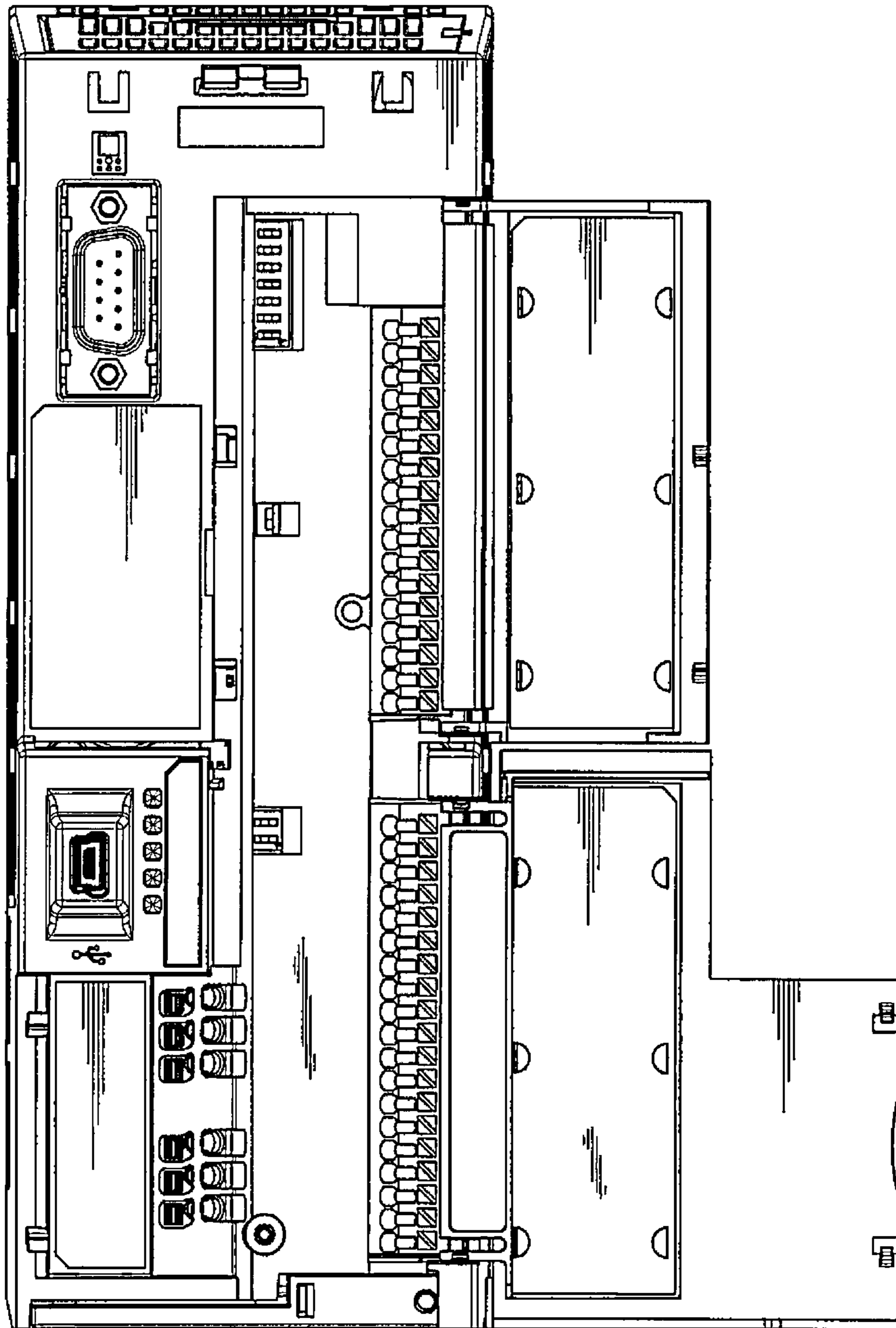


FIG 21

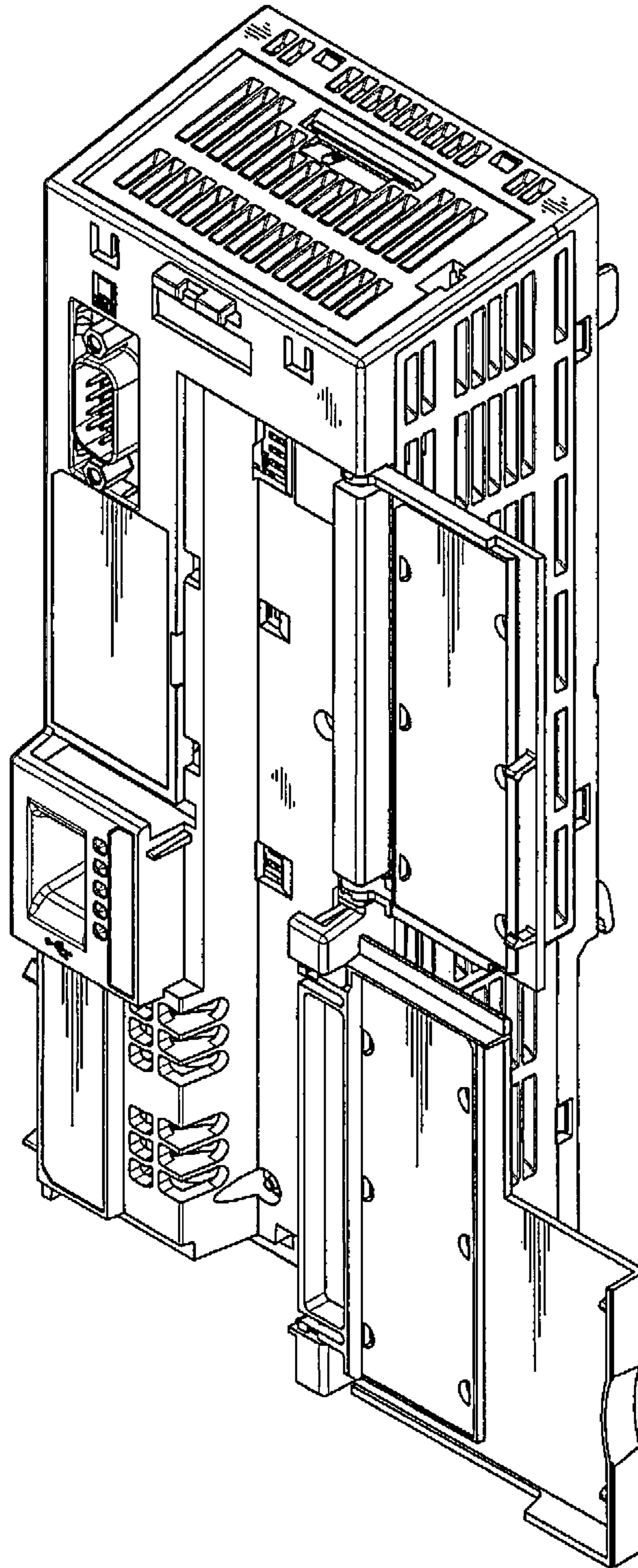


FIG 22

