



US00D705090S

(12) **United States Design Patent**
MacKay et al.

(10) **Patent No.:** **US D705,090 S**

(45) **Date of Patent:** **** May 20, 2014**

(54) **SINGLE SPACE PARKING METER**

(71) Applicant: **J.J. MacKay Canada Limited**, New Glasgow (CA)

(72) Inventors: **George Allan MacKay**, Nova Scotia (CA); **Shamus John Angus McLarty**, Nova Scotia (CA); **Ben Garvey**, Nova Scotia (CA)

(73) Assignee: **J.J. Mackay Canada Limited** (CA)

(**) Term: **14 Years**

(21) Appl. No.: **29/433,549**

(22) Filed: **Oct. 1, 2012**

(30) **Foreign Application Priority Data**

Apr. 2, 2012 (CA) 145137

(51) **LOC (10) Cl.** **10-03**

(52) **U.S. Cl.**
USPC **D10/42**

(58) **Field of Classification Search**
USPC D1/40, 41, 42, 43, 44, 45; D20/6;
D99/28; 194/211, 217, 225, 226, 277,
194/302, 350, 351, 900, 902; 368/89, 90,
368/92; 235/382, 384; 398/202; 340/932.2;
705/418

See application file for complete search history.

(56) **References Cited**

U.S. PATENT DOCUMENTS

1,189,991 A 7/1916 Mugler 70/120
D107,577 S 12/1937 McGay D10/42
2,161,046 A 6/1939 Hitzeman 194/205
2,229,183 A * 1/1941 Mitchell 194/277
2,261,353 A 11/1941 Gaetano 70/120
2,289,838 A * 7/1942 Herschede et al. 194/226
D152,294 S 1/1949 Siegel et al. D20/10

D154,716 S * 8/1949 Simpson D10/42
2,546,433 A 3/1951 Dick 368/6
2,547,272 A 4/1951 Lawson et al. 116/282
D166,059 S 2/1952 Yoss D10/42
D166,753 S * 5/1952 Jones D10/42

(Continued)

FOREIGN PATENT DOCUMENTS

AU 4035701 9/2001 G07F 17/24
CA 2233931 4/1997 G08G 1/14

(Continued)

OTHER PUBLICATIONS

Anonymous, "The Originators of Metered Parking, Series II, APM-E Mechanism, Service Manual," POM Incorporated, May 23, 2006 revision (22 pgs).

(Continued)

Primary Examiner — Caron D Veynar

Assistant Examiner — Martie K Holtje

(74) *Attorney, Agent, or Firm* — Hayes Soloway P.C.

(57) **CLAIM**

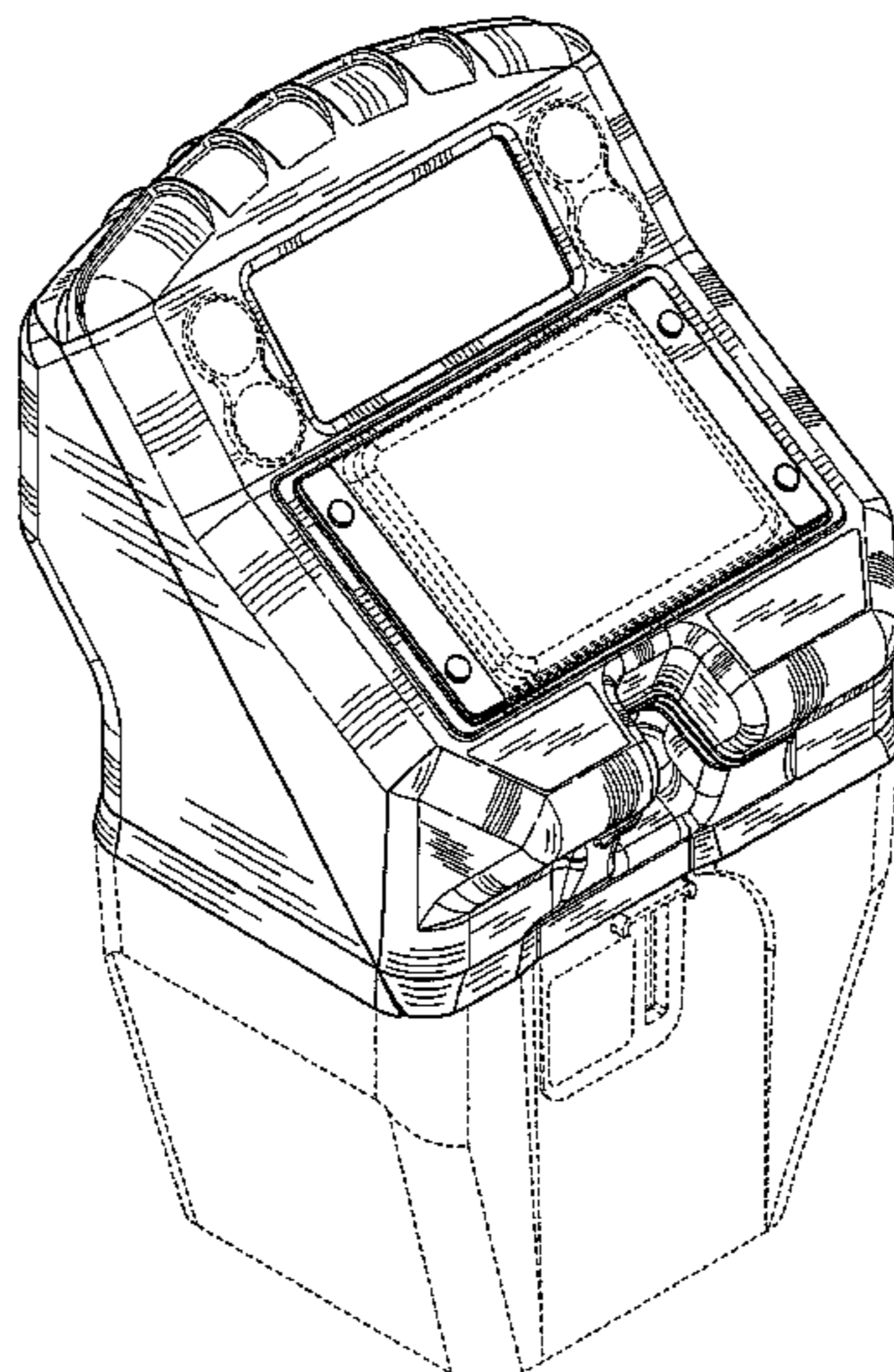
The ornamental design for a single space parking meter, as shown and described.

DESCRIPTION

FIG. 1 is a top, left front perspective view of a single space parking meter showing our new design;
FIG. 2 is a top, right rear perspective view thereof;
FIG. 3 is a left side elevational view thereof;
FIG. 4 is a front elevational view thereof;
FIG. 5 is a right side elevational view thereof;
FIG. 6 is a rear elevational view thereof; and,
FIG. 7 is a top plan view thereof.

The structural elements depicted by broken lines have been shown for the purpose of illustrating portions of the single space parking meter that form no part of the claimed design.

1 Claim, 7 Drawing Sheets



(56)

References Cited

U.S. PATENT DOCUMENTS

2,596,124 A *	5/1952	Broussard	368/90	5,343,237 A	8/1994	Morimoto	348/143
2,599,881 A	6/1952	Woodruff	368/92	5,351,798 A	10/1994	Hayes	194/318
D181,359 S	11/1957	Jones	D10/42	5,360,095 A	11/1994	Speas	194/217
2,832,506 A	4/1958	Hatcher	221/103	5,402,475 A	3/1995	Lesner, Jr. et al.	379/106
2,956,525 A	10/1960	Blauvelt	109/59	5,407,049 A	4/1995	Jacobs	194/200
2,985,978 A	5/1961	Breen et al.	40/333	5,439,089 A	8/1995	Parker	194/317
2,988,191 A	6/1961	Grant	194/1	5,442,348 A	8/1995	Mushell	340/932.2
3,018,615 A *	1/1962	Minton et al.	368/7	5,454,461 A	10/1995	Jacobs	194/200
3,056,544 A	10/1962	Sollenberger et al.	232/16	5,475,373 A	12/1995	Speas	340/815.58
3,204,438 A	9/1965	Sollenberger	70/417	5,489,014 A	2/1996	Menoud	194/211
3,208,061 A	9/1965	Gervasi et al.	340/539.31	5,500,517 A	3/1996	Cagliostro	235/486
3,373,856 A	3/1968	Kusters et al.	194/100	5,563,491 A *	10/1996	Tseng	320/109
3,486,324 A *	12/1969	Carl-Axel	368/90	5,568,441 A	10/1996	Sanemitsu	365/229
3,637,277 A	1/1972	Krug et al.	312/217	5,614,892 A	3/1997	Ward, II et al.	340/870.02
3,666,067 A *	5/1972	Kaiser	194/225	5,617,942 A *	4/1997	Ward et al.	194/217
3,721,463 A	3/1973	Attwood et al.	287/20.3	5,642,119 A	6/1997	Jacobs	342/69
3,941,989 A	3/1976	McLaughlin et al.	235/156	5,648,906 A	7/1997	Amirpanahi	705/418
3,975,934 A	8/1976	Babai et al.	70/120	D381,976 S	8/1997	Sandor et al.	D14/420
3,982,620 A	9/1976	Kortenhaus	194/1 N	5,659,306 A	8/1997	Bahar	340/932.2
3,991,595 A	11/1976	Bahry et al.	70/120	5,687,129 A	11/1997	Kim	365/229
3,999,372 A	12/1976	Welch et al.	58/142	D388,231 S *	12/1997	Magee et al.	D99/28
4,237,710 A	12/1980	Cardozo	70/108	5,710,743 A	1/1998	Dee et al.	368/90
4,249,648 A	2/1981	Meyer	194/102	D391,238 S	2/1998	Sakata	D14/420
4,264,963 A	4/1981	Leach	364/707	5,740,050 A	4/1998	Ward, II	364/464.28
4,306,219 A	12/1981	Main et al.	340/825.54	5,748,103 A	5/1998	Flach et al.	340/870.07
4,317,180 A	2/1982	Lies	364/707	5,761,061 A	6/1998	Amano	364/187
4,317,181 A	2/1982	Teza et al.	364/707	5,777,951 A *	7/1998	Mitschele et al.	368/90
4,323,847 A	4/1982	Karbowski	324/327	5,778,067 A	7/1998	Jones et al.	380/24
4,409,665 A	10/1983	Tubbs	364/707	5,805,083 A	9/1998	Sutton et al.	340/932.2
4,432,447 A	2/1984	Tanaka	194/100	5,806,651 A	9/1998	Carmen et al.	194/319
4,460,080 A	7/1984	Howard	194/100 A	5,833,042 A	11/1998	Baitch et al.	194/317
4,474,281 A	10/1984	Roberts et al.	194/1 N	5,841,369 A	11/1998	Sutton et al.	340/932.2
4,479,191 A	10/1984	Nojima et al.	364/707	5,842,411 A	12/1998	Johnson	101/36
4,483,431 A	11/1984	Pratt	194/97	5,845,268 A	12/1998	Moore	705/418
4,574,936 A	3/1986	Klinger	194/318	5,852,411 A	12/1998	Jacobs et al.	340/932.2
4,639,021 A	1/1987	Hope	292/7	D404,025 S	1/1999	Van Horne et al.	D14/331
4,678,994 A	7/1987	Davies	324/236	5,903,520 A	5/1999	Dee et al.	368/90
4,742,903 A	5/1988	Trummer	194/317	5,911,763 A	6/1999	Quesada	70/120
4,749,074 A	6/1988	Ueki et al.	194/317	D412,289 S *	7/1999	Winwood	D10/42
D296,795 S	7/1988	Bouve	D20/10	D413,311 S	8/1999	Blalock	D14/420
4,763,769 A	8/1988	Levasseur	194/217	5,954,182 A	9/1999	Wei	194/345
4,809,838 A	3/1989	Houserman	194/317	5,966,345 A	10/1999	Dee et al.	368/90
4,812,805 A	3/1989	Lachat et al.	340/825.05	6,037,880 A	3/2000	Manion	340/932.2
4,823,928 A	4/1989	Speas		6,052,453 A	4/2000	Sagady et al.	379/146
4,825,425 A	4/1989	Turner	368/7	6,081,206 A	6/2000	Kielland	340/937
4,827,206 A	5/1989	Speas	323/299	6,082,153 A	7/2000	Schoell et al.	70/1.5
4,845,484 A	7/1989	Ellsberg	340/825.35	6,107,942 A	8/2000	Yoo et al.	340/932.2
4,848,556 A	7/1989	Shah et al.	194/212	6,111,522 A	8/2000	Hiltz et al.	340/932.2
4,851,987 A	7/1989	Day	364/200	6,116,403 A	9/2000	Kiehl	194/217
4,872,149 A	10/1989	Speas	368/90	6,147,624 A	11/2000	Clapper	340/932.2
4,875,598 A	10/1989	Dahl	221/4	6,195,015 B1	2/2001	Jacobs et al.	340/693.9
4,880,097 A	11/1989	Speas	194/239	RE37,193 E	5/2001	Ward et al.	194/217
4,895,238 A	1/1990	Speas	194/319	6,229,455 B1	5/2001	Yost et al.	340/943
4,951,799 A	8/1990	Kai	194/317	6,230,868 B1	5/2001	Tuxen et al.	194/217
4,967,985 A	11/1990	Speas	194/200	6,243,029 B1	6/2001	Tomer	340/932.2
4,976,630 A	12/1990	Schuder et al.	439/260	6,275,170 B1	8/2001	Jacobs et al.	340/932.2
4,989,714 A	2/1991	Abe	194/317	D448,910 S	10/2001	Kit et al.	D99/28
5,027,935 A	7/1991	Berg et al.	194/318	6,309,098 B1	10/2001	Wong	368/94
D319,077 S *	8/1991	Arato et al.	D20/6	6,312,152 B2 *	11/2001	Dee et al.	368/90
5,060,777 A *	10/1991	Van Horn et al.	194/317	6,340,935 B1	1/2002	Hall	340/932.2
5,065,156 A	11/1991	Bernier	340/932.2	6,354,425 B1	3/2002	Tuxen et al.	194/350
5,076,414 A	12/1991	Kimoto	194/317	6,373,442 B1	4/2002	Thomas et al.	343/767
5,109,972 A	5/1992	Van Horn et al.	194/217	D461,728 S *	8/2002	Tuxen et al.	D10/42
5,119,916 A	6/1992	Carmen et al.	194/210	6,456,491 B1	9/2002	Flannery et al.	361/685
5,155,614 A	10/1992	Carmen et al.	398/202	6,457,586 B2	10/2002	Yasuda et al.	209/534
5,158,166 A	10/1992	Barson	194/319	6,477,875 B2	11/2002	Field et al.	70/491
5,192,855 A	3/1993	Insulander et al.	235/381	6,505,774 B1	1/2003	Fulcher et al.	
5,222,076 A	6/1993	Ng et al.	375/9	6,747,575 B2 *	6/2004	Chauvin et al.	340/932.2
5,244,070 A	9/1993	Carmen et al.	194/319	6,791,473 B2	9/2004	Kibria et al.	340/932.2
D340,038 S	10/1993	Venne et al.	D14/420	D497,393 S	10/2004	Herbst	D20/99
5,259,491 A	11/1993	Ward, II	194/350	6,799,387 B2	10/2004	Pippins	37/456
5,266,947 A	11/1993	Fujiwara et al.	340/932.2	6,823,317 B1	11/2004	Ouimet et al.	705/13
5,273,151 A	12/1993	Carmen et al.	194/319	6,856,922 B1	2/2005	Austin et al.	702/63
5,287,384 A	2/1994	Avery et al.	375/1	6,874,340 B1	4/2005	Berman	7/161
5,293,979 A	3/1994	Levasseur	194/317	6,889,899 B2 *	5/2005	Silberberg	235/384
				6,914,411 B2	7/2005	Couch et al.	320/101
				6,929,179 B2	8/2005	Fulcher et al.	235/381
				7,014,355 B2	3/2006	Potter, Sr. et al.	368/90
				7,019,420 B2	3/2006	Kogan et al.	307/150

(56)

References Cited

U.S. PATENT DOCUMENTS

7,027,773	B1	4/2006	McMillin	455/41.2
7,029,167	B1	4/2006	Mitschele	368/90
7,071,839	B2	7/2006	Patel et al.	340/933
7,104,447	B1	9/2006	Lopez et al.	235/384
7,183,999	B2	2/2007	Matthews et al.	1/1.1
7,222,031	B2	5/2007	Heatley	
7,237,716	B2	7/2007	Silberberg	235/384
7,253,747	B2	8/2007	Noguchi	340/932.2
7,319,974	B1	1/2008	Brusseaux	705/13
7,330,131	B2	2/2008	Zanotti et al.	340/932
7,382,238	B2	6/2008	Kavaler	340/438
7,382,281	B2	6/2008	Kavaler	340/941
7,382,282	B2	6/2008	Kavaler	340/941
7,388,349	B2	6/2008	Elder et al.	320/104
7,388,517	B2	6/2008	Kavaler	340/941
7,393,134	B2	7/2008	Mitschele	368/90
D575,168	S *	8/2008	King et al.	D10/42
7,427,931	B1	9/2008	Kavaler et al.	340/941
D587,141	S *	2/2009	King et al.	D10/42
D602,225	S	10/2009	Lute et al.	D99/28
D615,274	S	5/2010	Kim et al.	D99/28
D617,799	S	6/2010	Odhe et al.	D14/420
7,739,000	B2	6/2010	Kevaler	701/1
7,748,620	B2	7/2010	Gomez et al.	235/383
7,772,720	B2	8/2010	McGee et al.	307/66
7,806,248	B2	10/2010	Hunter et al.	194/317
7,854,310	B2 *	12/2010	King et al.	194/350
7,855,661	B2	12/2010	Ponert	340/932.2
7,874,482	B2	1/2011	Mitschele	235/384
7,933,841	B2	4/2011	Schmeyer et al.	705/64
8,035,533	B2	10/2011	Kavaler	340/933
D652,329	S	1/2012	MacKay et al.	D10/42
D654,816	S	2/2012	MacKay et al.	D10/42
D656,046	S *	3/2012	MacKay et al.	D10/42
8,144,034	B2	3/2012	Kavaler	340/941
8,184,019	B2	5/2012	Chauvin et al.	340/932.2
D661,603	S *	6/2012	MacKay et al.	D10/42
8,264,401	B1	9/2012	Kavaler	342/128
8,450,627	B2	5/2013	Mittleman et al.	200/600
2001/0012241	A1	8/2001	Dee et al.	368/90
2001/0047278	A1	11/2001	Brookner et al.	705/1
2001/0051531	A1	12/2001	Singhal et al.	455/556
2002/0008639	A1	1/2002	Dee	340/932.2
2002/0030606	A1	3/2002	Chauvin et al.	340/932.2
2002/0062172	A1	5/2002	Bench et al.	700/232
2002/0134645	A1	9/2002	Alexander et al.	194/351
2003/0092387	A1	5/2003	Hjelmvik	455/41
2003/0112151	A1	6/2003	Chauvin et al.	340/870.02
2003/0112597	A1	6/2003	Smith	361/685
2003/0117904	A1	6/2003	Lank et al.	
2003/0121754	A1	7/2003	King	194/302
2003/0128010	A1	7/2003	Hsu	320/101
2003/0128136	A1	7/2003	Spier et al.	340/932.2
2003/0132840	A1	7/2003	Bahar	340/541
2003/0140531	A1	7/2003	Pippins	37/456
2003/0144972	A1	7/2003	Cordery et al.	705/401
2003/0169183	A1	9/2003	Korepanov et al.	340/932.2
2003/0179107	A1	9/2003	Kibria et al.	340/932.2
2003/0222792	A1	12/2003	Berman et al.	340/932.2
2004/0011099	A1	1/2004	Andersson	70/371
2004/0039632	A1	2/2004	Han et al.	705/13
2004/0068434	A1	4/2004	Kanekon	
2004/0084278	A1	5/2004	Harris et al.	194/302
2004/0094619	A1	5/2004	Silberberg	235/382
2004/0181496	A1	9/2004	Odinotski et al.	705/418
2004/0232878	A1	11/2004	Couch et al.	320/101
2004/0243526	A1	12/2004	Krygler et al.	705/418
2004/0263117	A1	12/2004	Kogan et al.	320/114
2004/0264302	A1	12/2004	Ward, II	368/90
2005/0035740	A1	2/2005	Elder et al.	320/116
2005/0068201	A1	3/2005	Wulff et al.	341/20
2005/0155839	A1	7/2005	Banks et al.	194/302
2005/0178639	A1	8/2005	Brumfield et al.	194/350
2005/0192911	A1	9/2005	Mattern	705/401
2006/0021848	A1	2/2006	Smith	194/350
2006/0114159	A1	6/2006	Yoshikawa et al.	
2006/0116972	A1	6/2006	Wong	705/418
2006/0136131	A1	6/2006	Dugan et al.	701/300
2006/0149684	A1	7/2006	Matsuura et al.	705/65
2006/0152349	A1	7/2006	Ratnakar	340/426.1
2006/0152385	A1	7/2006	Mandy	340/932.2
2006/0267799	A1	11/2006	Mendelson	340/932.2
2007/0016539	A1	1/2007	Groft et al.	705/418
2007/0017265	A1	1/2007	Andersson	70/379
2007/0044523	A1	3/2007	Davis	70/34
2007/0094153	A1	4/2007	Ferraro	705/67
2007/0114849	A1	5/2007	Falik et al.	307/64
2007/0119682	A1	5/2007	Banks et al.	705/418
2007/0136128	A1	6/2007	Janacek et al.	705/13
2007/0171069	A1	7/2007	Allen	340/572.1
2007/0208499	A1	9/2007	Kwong	701/117
2008/0071611	A1	3/2008	Lovett	705/13
2008/0093454	A1	4/2008	Yamazaki et al.	
2008/0147268	A1	6/2008	Fuller	701/35
2008/0158010	A1	7/2008	Nath et al.	340/932.2
2008/0165030	A1	7/2008	Kuo et al.	340/932.2
2008/0208680	A1	8/2008	Cho	705/13
2008/0238715	A1	10/2008	Cheng et al.	340/870.03
2008/0245638	A1 *	10/2008	King et al.	194/350
2008/0266138	A1	10/2008	Ponert	340/932.2
2008/0277468	A1	11/2008	Mitschele	235/384
2008/0291054	A1	11/2008	Groft	340/932.2
2009/0026842	A1 *	1/2009	Hunter et al.	307/66
2009/0032368	A1	2/2009	Hunter et al.	194/318
2009/0049875	A1	2/2009	Buhl et al.	70/52
2009/0095593	A1 *	4/2009	King et al.	194/302
2009/0102726	A1	4/2009	Imano et al.	
2009/0109062	A1	4/2009	An	340/932.2
2009/0159674	A1 *	6/2009	King et al.	235/382
2009/0183966	A1	7/2009	King et al.	194/217
2009/0192950	A1	7/2009	King et al.	705/418
2009/0199966	A1	8/2009	Coleman et al.	
2009/0254438	A1	10/2009	Johnson et al.	705/17
2009/0267732	A1	10/2009	Chauvin et al.	340/5.53
2009/0284907	A1	11/2009	Regimbal et al.	361/679.02
2010/0019936	A1	1/2010	Kaveler	340/933
2010/0026522	A1	2/2010	Ward, II	
2010/0030629	A1	2/2010	Ward, II	705/13
2010/0188932	A1	7/2010	Hanks et al.	367/140
2010/0328104	A1	12/2010	Groft	340/932.2
2011/0037562	A1	2/2011	Braukmann et al.	
2011/0057815	A1	3/2011	King et al.	340/932.2
2011/0060653	A1	3/2011	King et al.	705/14.58
2011/0066297	A1	3/2011	Saberi et al.	700/287
2011/0093314	A1	4/2011	Redmann et al.	
2011/0122036	A1	5/2011	Leung et al.	
2011/0158331	A1	6/2011	Kavaler et al.	375/259
2011/0203901	A1 *	8/2011	King et al.	194/211
2011/0205087	A1	8/2011	Kell et al.	340/932.2
2011/0221624	A1	9/2011	Kavaler	342/22
2011/0261548	A1	10/2011	Gandhi	
2011/0320243	A1	12/2011	Khan	705/13
2012/0026015	A1	2/2012	Kavaler	340/933
2012/0173171	A1	7/2012	Bajwa et al.	702/56
2012/0273322	A1 *	11/2012	MacKay et al.	194/210
2012/0285792	A1 *	11/2012	Jones et al.	194/217
2013/0027218	A1	1/2013	Schwarz et al.	340/870.02
2013/0238406	A1	9/2013	King et al.	705/13

FOREIGN PATENT DOCUMENTS

CA	2260925	1/1998	G07B 15/00
CA	2227833	7/1998	G07F 17/24
CA	2346908	4/2000	G07C 1/30
CA	2352968	1/2001	G07F 17/24
CA	2377010	12/2001	G06F 19/00
CA	2357179	3/2002	G08C 17/00
CA	2437722	8/2002	G08G 1/14
CA	2363915	5/2003	G07F 17/24
CA	2413198	5/2003	G07F 17/24
CA	2414132	6/2003	G07F 17/24
CN	2395344	9/2000	G07F 17/24
CN	2544352	4/2003	G06F 19/00
DE	28 04 085	A1 2/1977	

(56)

References Cited

FOREIGN PATENT DOCUMENTS

DE	27 50 193 C2	11/1977	
EP	980055	2/2000 G07F 17/24
EP	1376491	1/2004 G07F 7/00
FR	2837583	9/2003 G06K 19/077
GB	1 237 579	12/1968	
GB	1 283 555	10/1969	
GB	1431862	4/1976 G08B 25/00
GB	2155228	9/1985 G09F 23/00
JP	01165494	6/1989 B42D 15/10
JP	01303026	12/1989 G11C 5/00
JP	0261711	3/1990 G06F 1/26
JP	0487533	3/1992 H02J 9/00
JP	2002099640	4/2002 G06Q 10/00
JP	2005267430	9/2005 G06Q 10/00
JP	2007052773	3/2007 G07F 17/24
KR	20050038077	4/2005 G07B 5/12
MX	2008007047	8/2008 G06Q 10/00
WO	WO 81/00778	3/1981	
WO	WO9520204	7/1995 G07F 17/24
WO	WO97/12345	4/1997 G07F 17/24
WO	WO98/04080	1/1998 H04M 15/00
WO	WO01/69541	9/2001 G07F 17/24
WO	WO2006095352	9/2006 H02J 9/06
WO	WO2007063530	6/2007 G06Q 10/00
WO	WO2009154787	12/2009 G08G 1/14
WO	WO2010008610	1/2010 G08G 1/065
WO	WO2010071974	7/2010 G07C 1/30
WO	WO2011029061	3/2011 G06Q 30/00
WO	WO2011029062	3/2011 G06Q 20/00
WO	WO2012015453	2/2012 G08G 1/042
WO	WO2012092609	7/2012 G08G 1/01
WO	WO2013016453	1/2013 G07B 15/02
WO	WO2013019418	4/2013	

OTHER PUBLICATIONS

POM APM Solar Powered Meter advertisements, undated (5 pgs).
POM APM photographs (33 pgs).
Byrd, Dennis, "City officials plug solar-powered parking meters, Electronic eye ends free parking," Lawrence Journal World, Apr. 30, 1989, p. 11C (1pg).
Byrd, Dennis, Parking Meter Manufacturer Sees Bright Future for New Sun-Powered Devices, Los Angeles Times, May 14, 1989 (2 pgs).
International Preliminary Report on Patentability, issued for application No. PCT/US2010/047907, dated Mar. 15, 2012 (6 pgs).
International Preliminary Report on Patentability, issued for application No. PCT/US2010/047906, dated Mar. 6, 2012 (5 pgs).
International Preliminary Report on Patentability, issued for application No. PCT/IB2006/054574, dated Mar. 10, 2009 (5 pgs).
Office Action issued for U.S. Appl. No. 12/973,109, dated Apr. 30, 2012 (24 pgs).
Office Action issued for U.S. Appl. No. 12/355,734, dated Apr. 6, 2012 (36 pgs).
Information Disclosure Statement by Applicant filed for U.S. Appl. No. 12/355,734, filed May 23, 2012 (22 pgs).
Information Disclosure Statement by Applicant for U.S. Appl. No. 12/355,740, filed May 23, 2012 (25 pgs).
Information Disclosure Statement by Applicant filed for U.S. Appl. No. 12/875,959, filed May 24, 2012 (22 pgs).
Information Disclosure Statement by Applicant filed for U.S. Appl. No. 12/875,975, filed May 24, 2012 (22 pgs).
Request for Continued Examination (RCE) and Information Disclosure Statement by Applicant filed for U.S. Appl. No. 12/973,109 on May 31, 2012 (43 pgs).
Information Disclosure Statement by Applicant filed Oct. 23, 2012 for U.S. Appl. No. 12/355,734 (2 pgs).
Office Action issued for related U.S. Appl. No. 13/546,918, dated Sep. 26, 2012 (26 pgs).
Canadian Office Action issued for related application No. 2,770,093, dated Jul. 5, 2012 (5 pgs).

International Search Report & Written Opinion, PCT/CA12/000191, dated Jun. 20, 2012 (8 pgs).
Office Action issued for related U.S. Appl. No. 13/410,831, dated Nov. 6, 2012 (46 pgs).
DAT Self-Service System Limited, Product Brochure, Version 1.0, Date: May 2005, pp. 1-39 (39 pgs), plus English translation (42 pgs).
Notice of Allowance issued in related U.S. Appl. No. 13/545,871, dated Dec. 16, 2013 (22 pgs).
Office Action issued in related U.S. Appl. No. 08/959,109, dated Nov. 21, 2012 (24 pgs).
Office Action issued in related U.S. Appl. No. 13/545,871, dated Nov. 28, 2012 (30 pgs).
Office Action issued in related U.S. Appl. No. 12/973,109, dated Jan. 28, 2013 (19 pgs).
Office Action issued in related U.S. Appl. No. 13/545,871, dated Dec. 28, 2012 (7 pgs).
Office Action issued in related U.S. Appl. No. 13/410,831, dated Feb. 12, 2013 (20 pgs).
Office Action issued in related U.S. Appl. No. 13/410,831, dated Jul. 12, 2013 (7 pgs).
Flatley, J., "In San Francisco, hackers park for free," posted Jul. 31, 2009, www.engadget.com (1 pg).
Howland, S., "How M2M Maximizes Denver's Revenue," FieldTechnologiesOnline.com, Oct. 2011, pp. 9-12 (4 pgs).
The United States Conference of Mayors Press Release, "The U.S. Conference of Mayors Presents 'Best-Practice' Awards," Jan. 20, 2012, (3 pgs).
International Search Report, PCT/CA2009/001058, dated Nov. 12, 2009 (4 pgs).
International Search Report, PCT/CA2009/001657, dated Feb. 17, 2010 (2 pgs).
International Search Report, PCT/US2010/047907, dated Apr. 26, 2011 (3 pgs).
International Search Report, PCT/US2010/047906, dated Mar. 30, 2011 (3 pgs).
International Search Report, PCT/IB06/054574, dated Oct. 27, 2008 (2 pgs).
Office Action, dated Dec. 13, 2011 in U.S. Appl. No. 12/973,109 (27 pgs).
Office Action, dated Sep. 14, 2011 in U.S. Appl. No. 12/430,733 (7 pgs).
Office Action, dated Dec. 7, 2011 in U.S. Appl. No. 12/355,734 (31 pgs).
Office Action, dated Sep. 15, 2011 in U.S. Appl. No. 12/355,740 (6 pgs).
Office Action, dated Dec. 20, 2011 in U.S. Appl. No. 12/355,740 (12 pgs).
Office Action, dated Jun. 29, 2011 in U.S. Appl. No. 12/059,909 (21 pgs).
Office Action, dated Jul. 27, 2011 in U.S. Appl. No. 12/059,909 (34 pgs).
Office Action, dated Apr. 11, 2011 in U.S. Appl. No. 12/095,914 (3 pgs).
Request for Continued Examination, dated Sep. 27, 2011 in U.S. Appl. No. 12/059,909 (18 pgs).
Request for Continued Examination, dated Mar. 30, 2012 in U.S. Appl. No. 12/355,734 (32 pgs).
(Cell Net Data Systems) "First Wireless Monitoring of Parking Meters Results in Theft Arrests Using CellNet Data Systems Technology," PRNewswire, May 11, 1999 (2 pgs).
StreetSmart Technology, LLC, "Technical Specifications and System Features for the StreetSmart Solution" Brochure (8 pgs).
Meter Solutions, Single-Space Meters brochure, downloaded from www.duncansolutions.com website, revised Apr. 2006 (2 pgs).
Canadian Office Action issued for related application No. 2,745,365, dated Jul. 4, 2012 (2 pgs).
Canadian Office Action issued for related application No. 2,745,365, dated Jun. 5, 2012 (2 pgs).
Canadian Office Action issued for related application No. 2,745,365, dated Aug. 26, 2011 (4 pgs).
Canadian Office Action issued for related application No. 2,745,365, dated Mar. 1, 2012 (6 pgs).

(56)

References Cited

OTHER PUBLICATIONS

Office Action issued in related U.S. Appl. No. 13/545,871, dated Apr. 12, 2013 (16 pgs).

Office Action issued in related U.S. Appl. No. 13/546,918, dated Apr. 15, 2013 (21 pgs).

Office Action issued in related U.S. Appl. No. 08/959,109, dated Apr. 23, 2013 (10 pgs).

Office Action issued in related U.S. Appl. No. 13/141,977, dated May 8, 2013 (34 pgs).

Duncan Solutions "Single-Space Meters" brochure, undated (2 pgs).

International Search Report issued for PCT/US2012/048190, dated Jan. 22, 2013 (4 pgs).

McCullagh, D., "Hackers: We can bypass San Francisco e-parking meters," Jul. 30, 2009, <http://news.cnet.com> (2 pgs).

Office Action issued in related U.S. Appl. No. 13/410,831, dated May 28, 2013 (15 pgs).

Notice of Allowance issued in U.S. Appl. No. 13/545,871, dated May 28, 2013 (10 pgs).

Office Action issued in related U.S. Appl. No. 13/141,983, dated Jun. 14, 2013 (68 pgs).

Office Action issued in related U.S. Appl. No. 13/529,914, dated Jun. 21, 2013 (33 pgs).

Micrel, Application Note 51 Frequency Hopping Techniques, Jun. 2006, Rev. 1.0.

Office Action issued in related U.S. Appl. No. 13/141,977, dated Aug. 1, 2013 (37 pgs).

Office Action issued in related U.S. Appl. No. 13/545,871, dated Aug. 6, 2013 (39 pgs).

International Preliminary Report on Patentability issued in related application No. PCT/CA2012/000191, dated Sep. 12, 2013 (7 pgs).

Office Action issued in related U.S. Appl. No. 13/529,914, dated Sep. 27, 2013 (18 pgs).

Notice of Allowance issued in related U.S. Appl. No. 13/410,831, dated Oct. 11, 2013 (33 pgs).

Office Action issued in related U.S. Appl. No. 13/141,983, dated Oct. 22, 2013 (47 pgs).

* cited by examiner

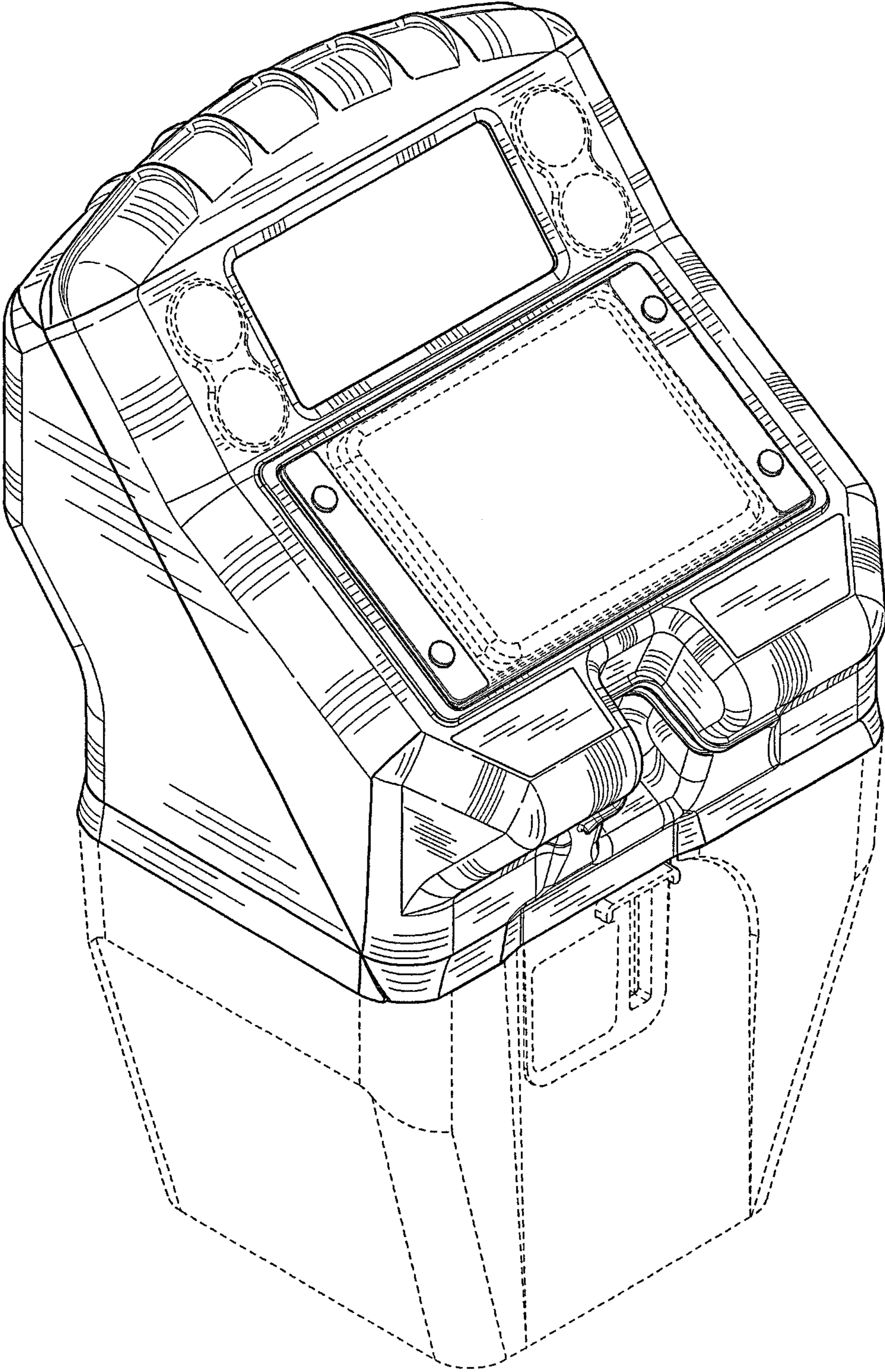


FIG. 1

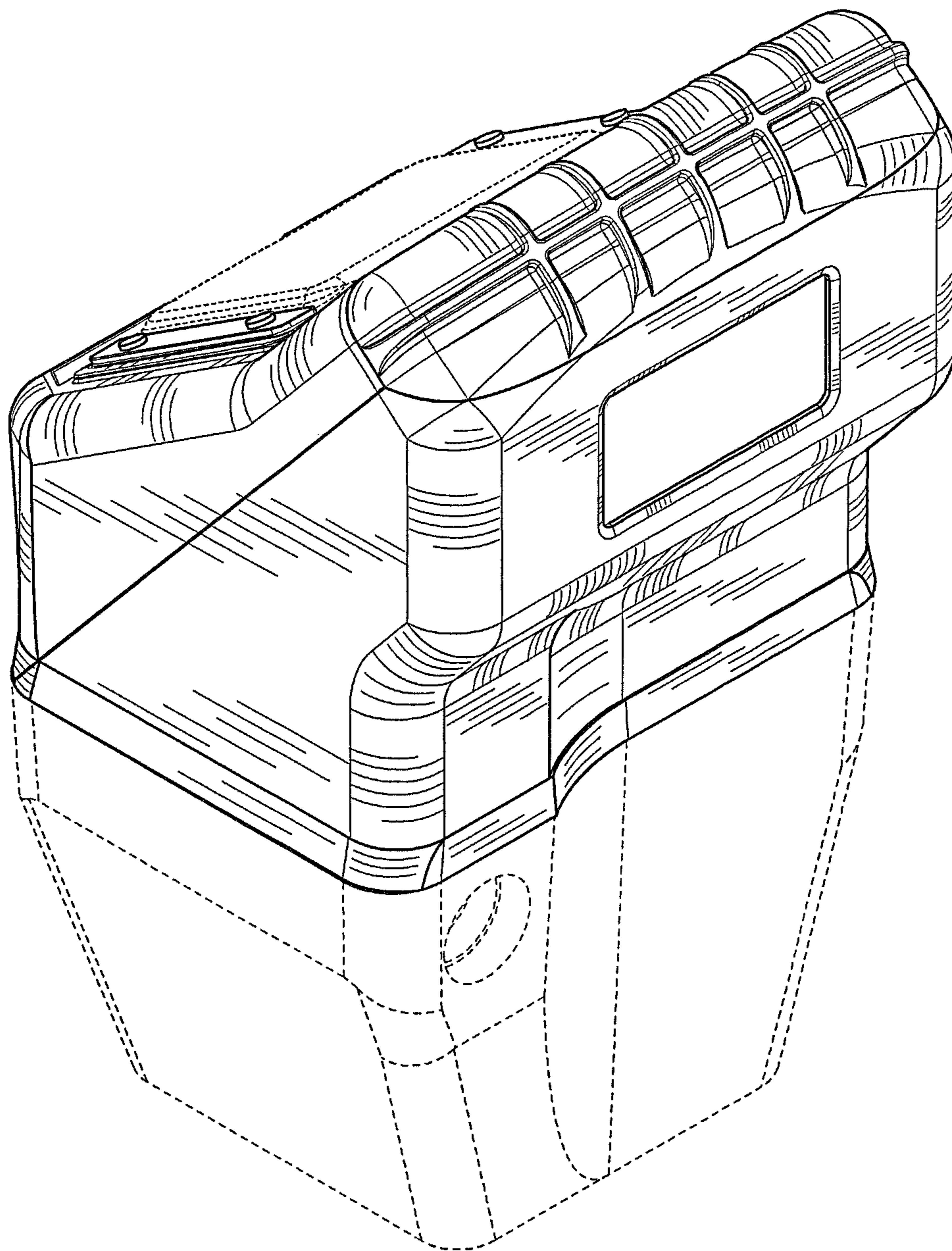


FIG. 2

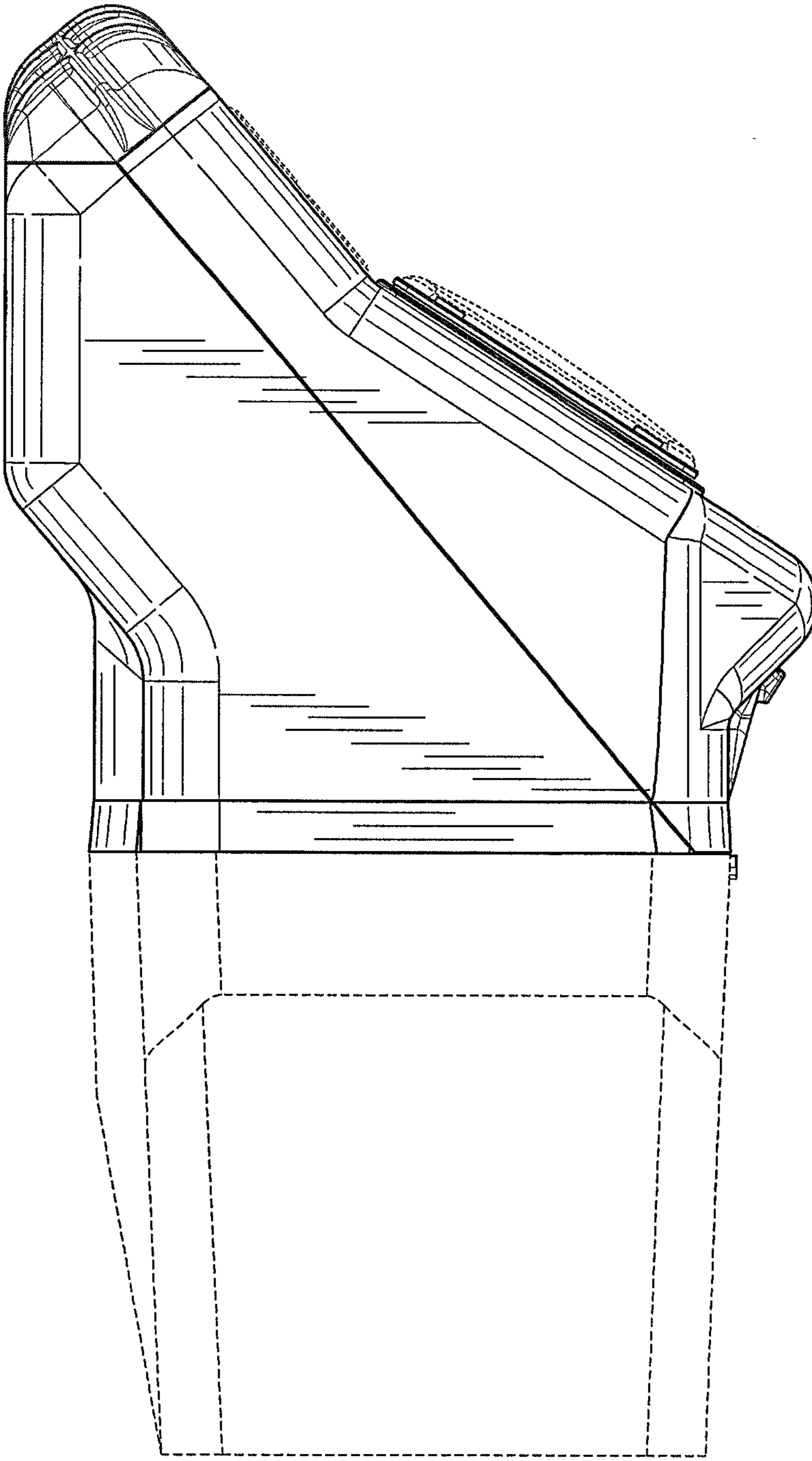


FIG. 3

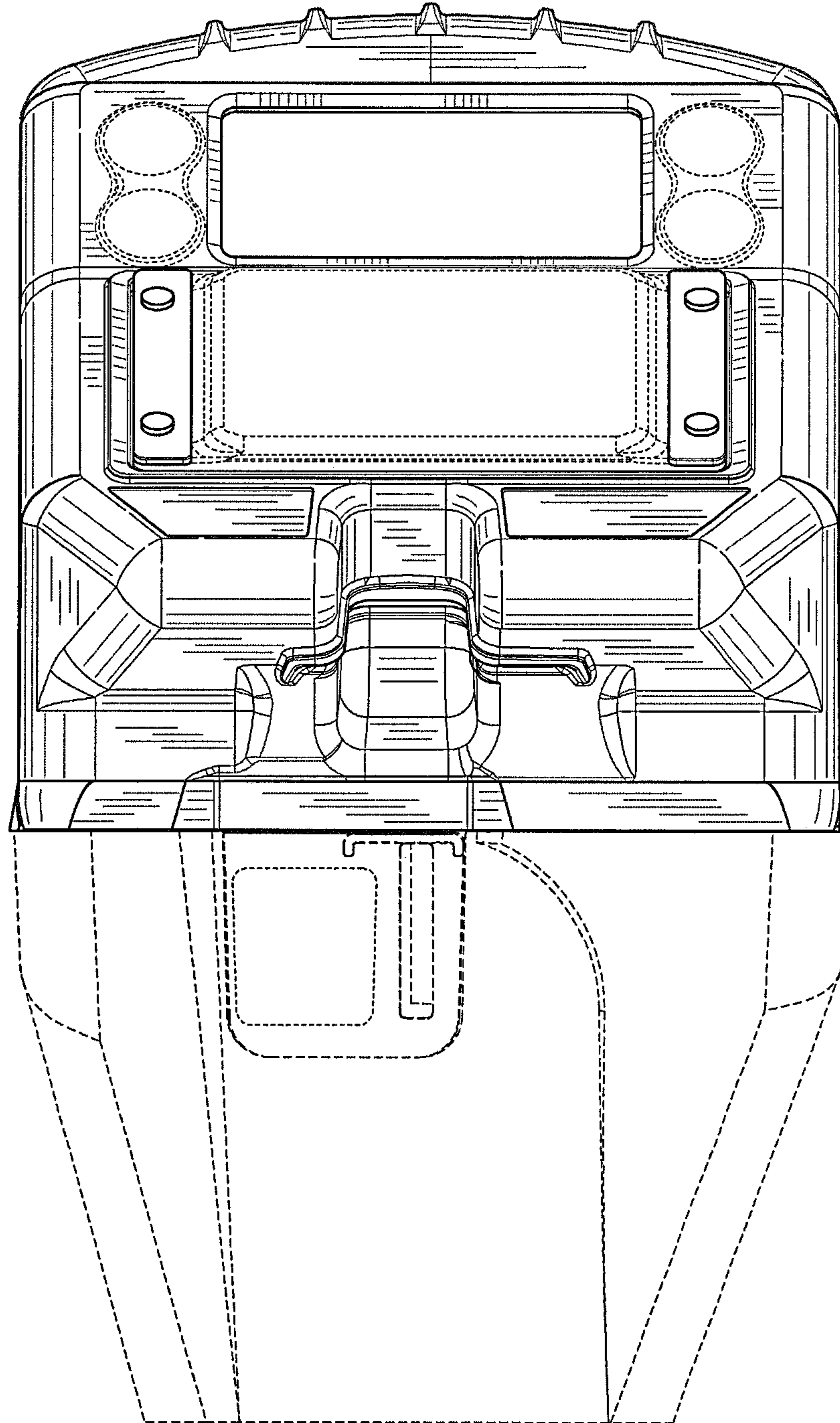


FIG. 4

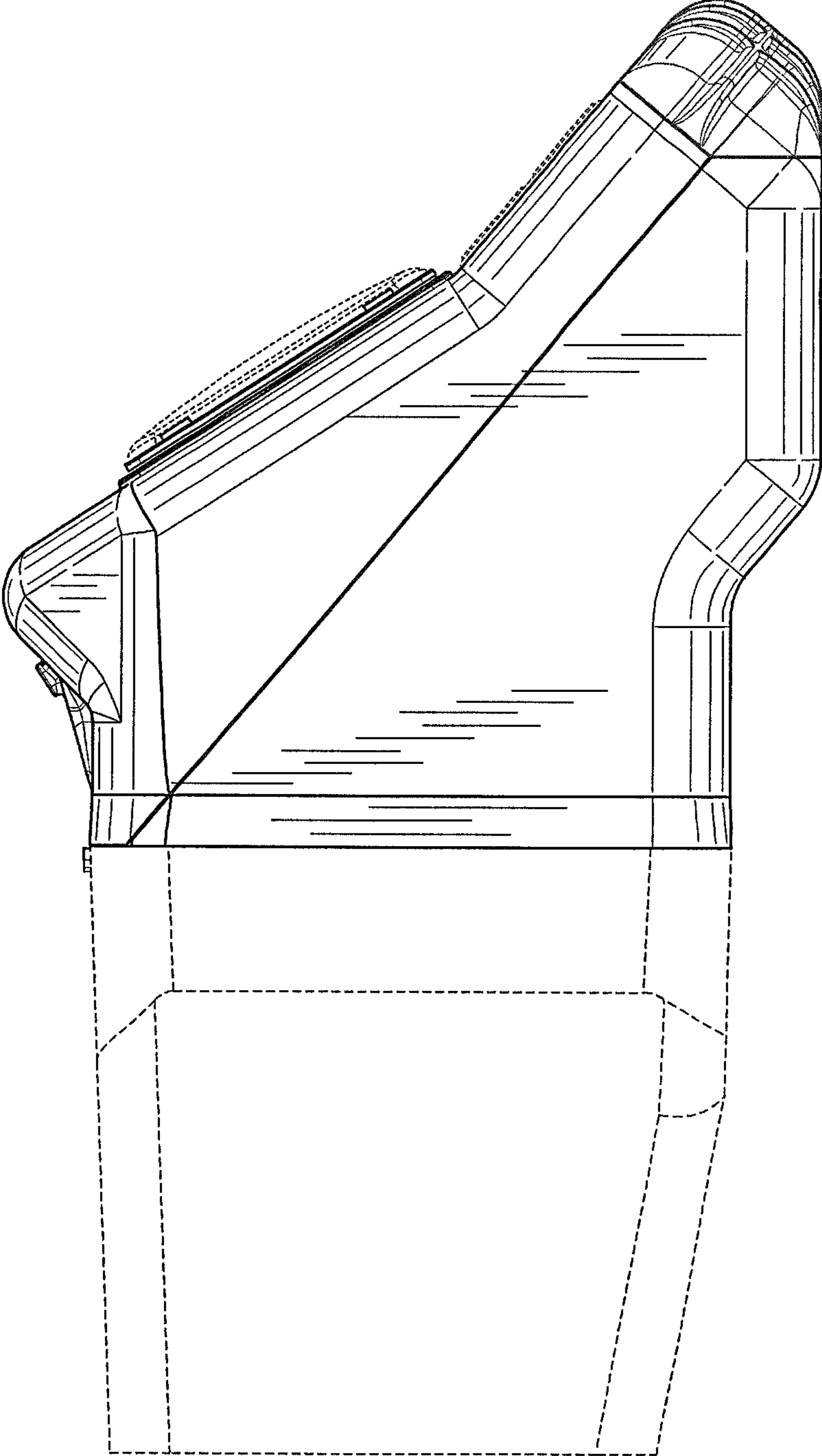


FIG. 5

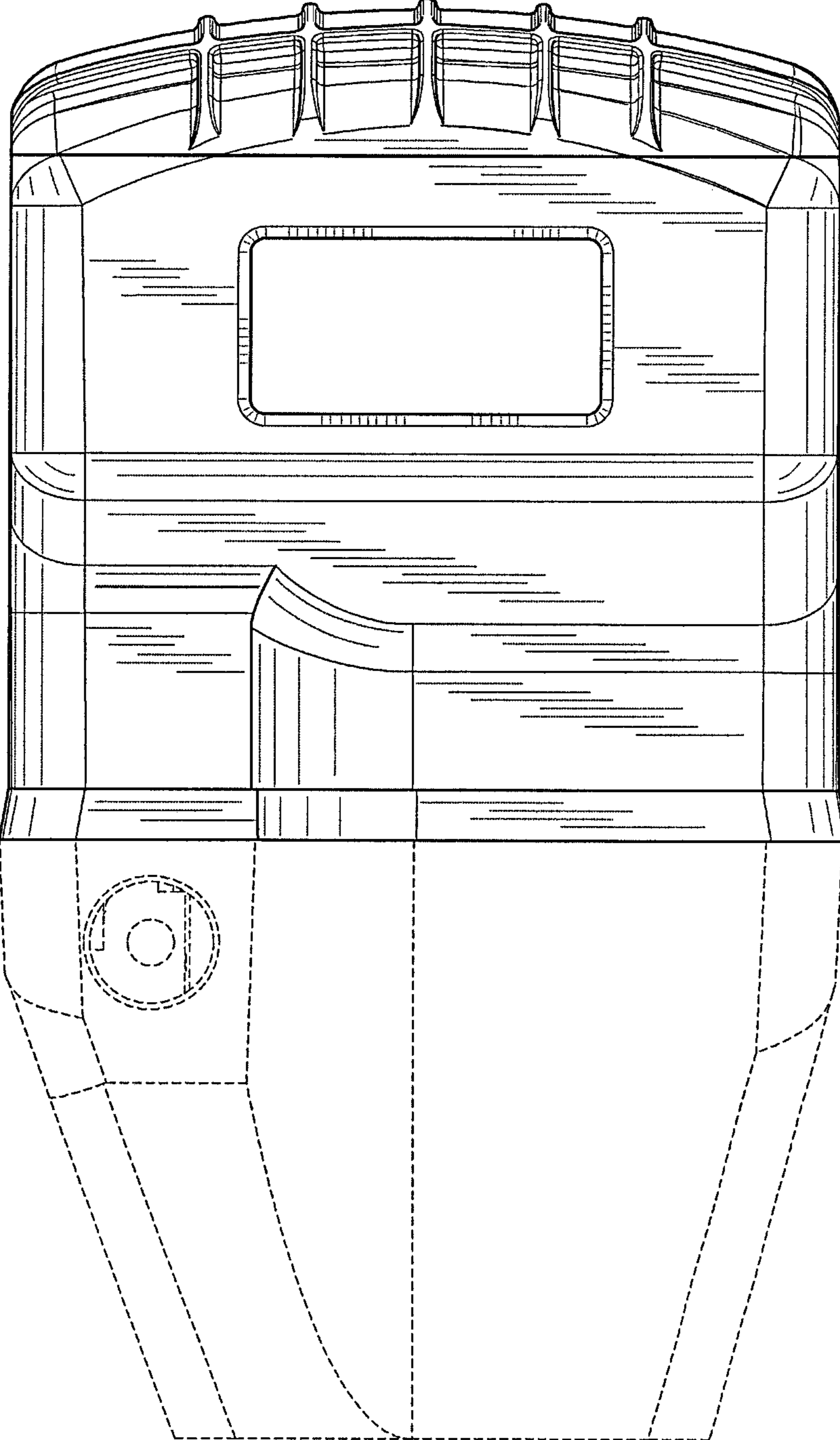


FIG. 6

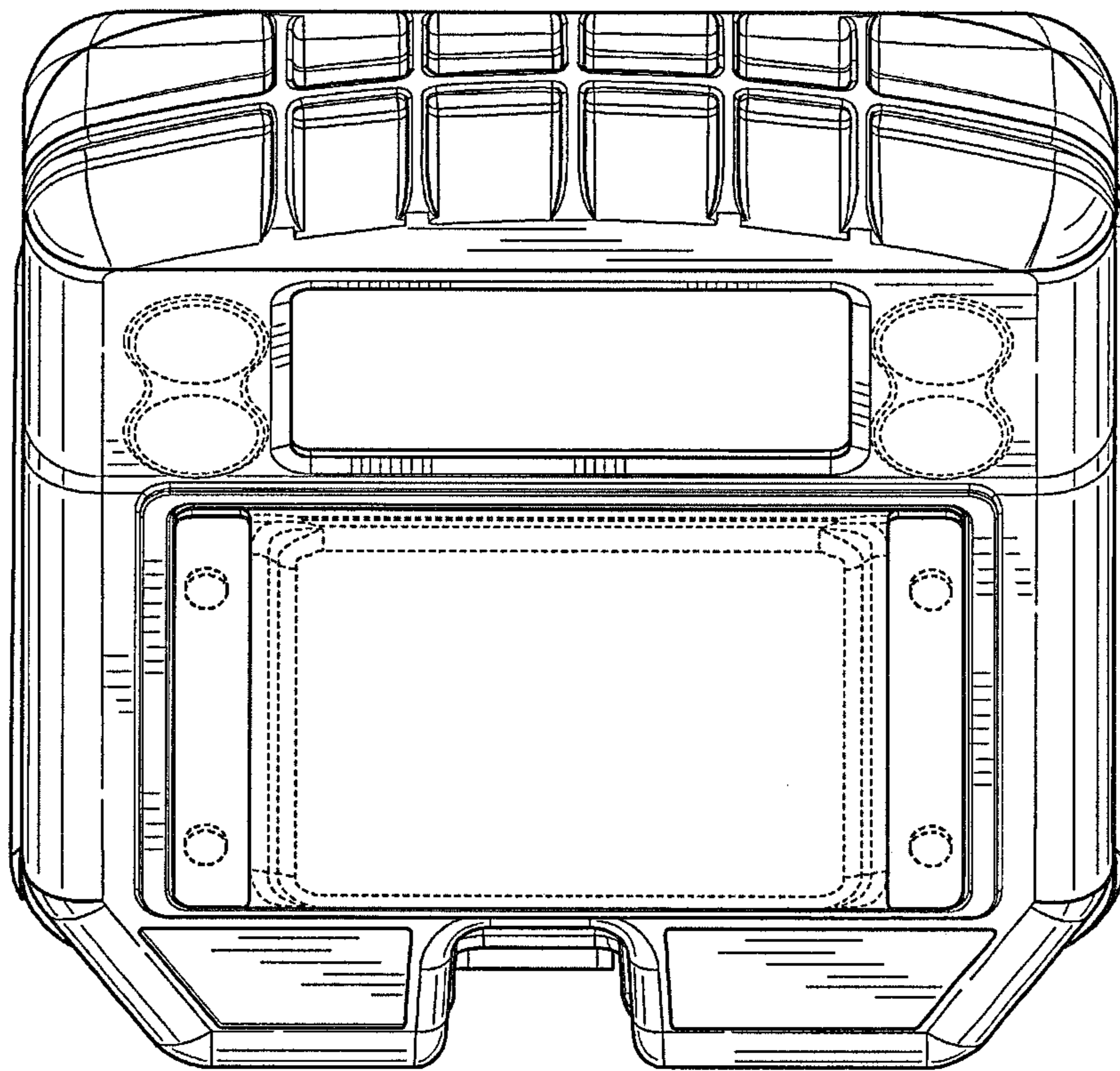


FIG. 7

UNITED STATES PATENT AND TRADEMARK OFFICE
CERTIFICATE OF CORRECTION

PATENT NO. : D705,090 S
APPLICATION NO. : 29/433549
DATED : May 20, 2014
INVENTOR(S) : MacKay et al.

Page 1 of 1

It is certified that error appears in the above-identified patent and that said Letters Patent is hereby corrected as shown below:


On the Title Page

References Cited, U.S. PATENT DOCUMENTS, page 2, col. 1, line 15, "Carl-Axel" should be --Andersson--.

References Cited, U.S. PATENT DOCUMENTS, page 2, col. 2, line 15, "Ward et al." should be --Ward, II et al.--.

References Cited, FOREIGN PATENT DOCUMENTS, page 4, col. 1, line 35, "WO2013019418" should be --WO2013049418--.

Signed and Sealed this
Twelfth Day of August, 2014



Michelle K. Lee
Deputy Director of the United States Patent and Trademark Office