



US00D705089S

(12) **United States Design Patent**  
**Rogers et al.**

(10) **Patent No.:** **US D705,089 S**  
(45) **Date of Patent:** **\*\* May 20, 2014**

- (54) **TIMER**
- (71) Applicant: **Time Timer LLC**, Cincinnati, OH (US)
- (72) Inventors: **Janice L. Rogers**, Cincinnati, OH (US);  
**David M. Rogers**, Cincinnati, OH (US);  
**Tricia L. Wright**, San Francisco, CA (US)
- (73) Assignee: **Time Timer LLC**, Cincinnati, OH (US)
- (\*\*) Term: **14 Years**
- (21) Appl. No.: **29/435,111**
- (22) Filed: **Oct. 19, 2012**

3,088,270 A	5/1963	King et al.
D208,930 S	10/1967	Johnson et al.
D215,951 S	11/1969	Arato et al.
3,508,350 A	4/1970	Genin
D218,344 S	8/1970	Baumann
3,608,214 A	9/1971	Rancati
3,668,858 A	6/1972	Hartwig
D228,791 S *	10/1973	Stut ..... D10/1
3,803,831 A	4/1974	Horzick
D260,375 S	8/1981	Kane et al.
4,368,045 A	1/1983	Kuh
D268,686 S	4/1983	Wolf
D271,567 S	11/1983	Powell
4,530,607 A	7/1985	Bungener
D287,699 S	1/1987	Morris
4,659,233 A	4/1987	Nakamura et al.
D298,609 S	11/1988	Dawson, Jr.

(Continued)

**Related U.S. Application Data**

- (63) Continuation-in-part of application No. 29/408,031, filed on Dec. 6, 2011, now Pat. No. Des. 671,016.
- (51) **LOC (10) Cl.** ..... **10-03**
- (52) **U.S. Cl.**  
USPC ..... **D10/40; D10/24**
- (58) **Field of Classification Search**  
USPC ..... D10/1-29, 40, 41, 42, 43, 44, 45,  
D10/122-132; 368/10, 89, 96-100,  
368/107-121; 434/304; D19/64  
See application file for complete search history.

**References Cited**

**U.S. PATENT DOCUMENTS**

680,018 A	8/1901	Brake	
776,297 A	11/1904	Cordeiro	
D43,733 S	3/1913	Buckland	
D76,595 S *	10/1928	Balzer .....	D10/19
2,011,517 A	8/1935	Geoffrion	
2,255,188 A	9/1941	Rieper	
D161,338 S	12/1950	Hobby	
D171,970 S	4/1954	Duncan	
2,816,373 A	12/1957	Caddy	

*Primary Examiner* — Caron D Veynar  
*Assistant Examiner* — Martie K Holtje

(74) *Attorney, Agent, or Firm* — Wood, Herron & Evans, LLP

**CLAIM**

The ornamental design for a timer, as shown and described.

**DESCRIPTION**

FIG. 1 is a front perspective view of a timer showing our new design;

FIG. 2 is a front perspective view thereof similar to FIG. 1 with the numbers removed for clarity;

FIG. 3 is a front elevational view thereof;

FIG. 4 is a left elevational view thereof. The right elevational view is a mirror image thereof;

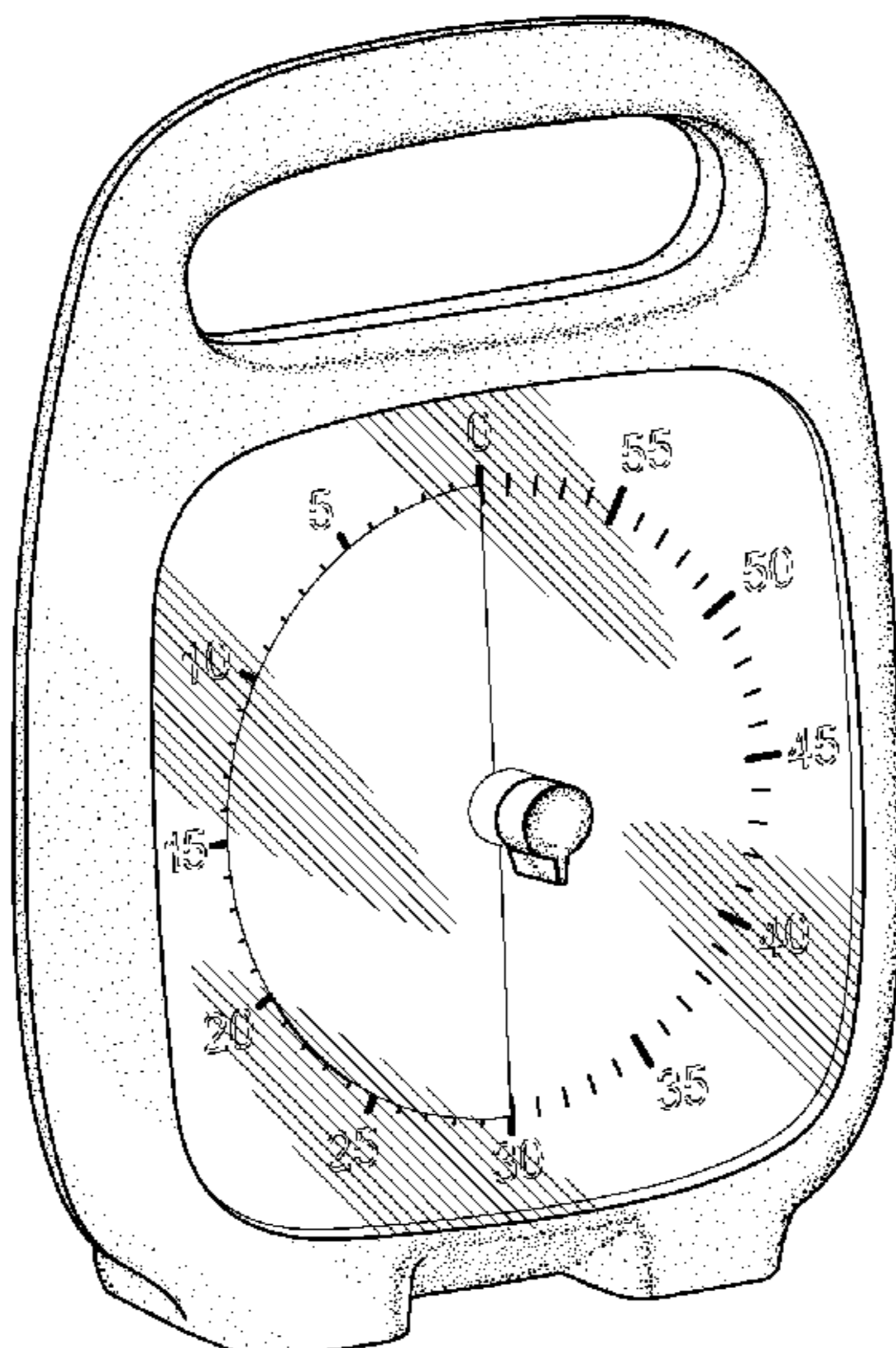
FIG. 5 is a rear view thereof;

FIG. 6 is a top plan view thereof; and,

FIG. 7 is a bottom plan view thereof.

The structural elements and numerals depicted by broken lines have been shown for the purpose of illustrating portions of the timer that form no part of the claimed design.

**1 Claim, 3 Drawing Sheets**



(56)

**References Cited**

U.S. PATENT DOCUMENTS

4,885,731 A 12/1989 Massaro  
D307,396 S \* 4/1990 Ilaria et al. .... D10/24  
4,945,522 A 7/1990 Radel  
D316,819 S 5/1991 Odaka  
5,044,961 A 9/1991 Bruskevitz  
D321,141 S 10/1991 Aikawa  
5,167,507 A 12/1992 Cobb et al.  
D346,965 S 5/1994 Wolff

D347,183 S \* 5/1994 Inora ..... D10/28  
D347,656 S 6/1994 Bumbarger  
D369,619 S 5/1996 Rogers  
5,662,479 A 9/1997 Rogers  
5,851,118 A 12/1998 Woldenberg et al.  
D489,009 S \* 4/2004 Sheldon et al. .... D10/24  
7,121,833 B2 10/2006 Brown et al.  
D553,514 S 10/2007 Tanaka et al.  
D583,686 S 12/2008 Forakis  
D642,078 S 7/2011 Balter et al.  
D671,016 S 11/2012 Rogers et al.

\* cited by examiner

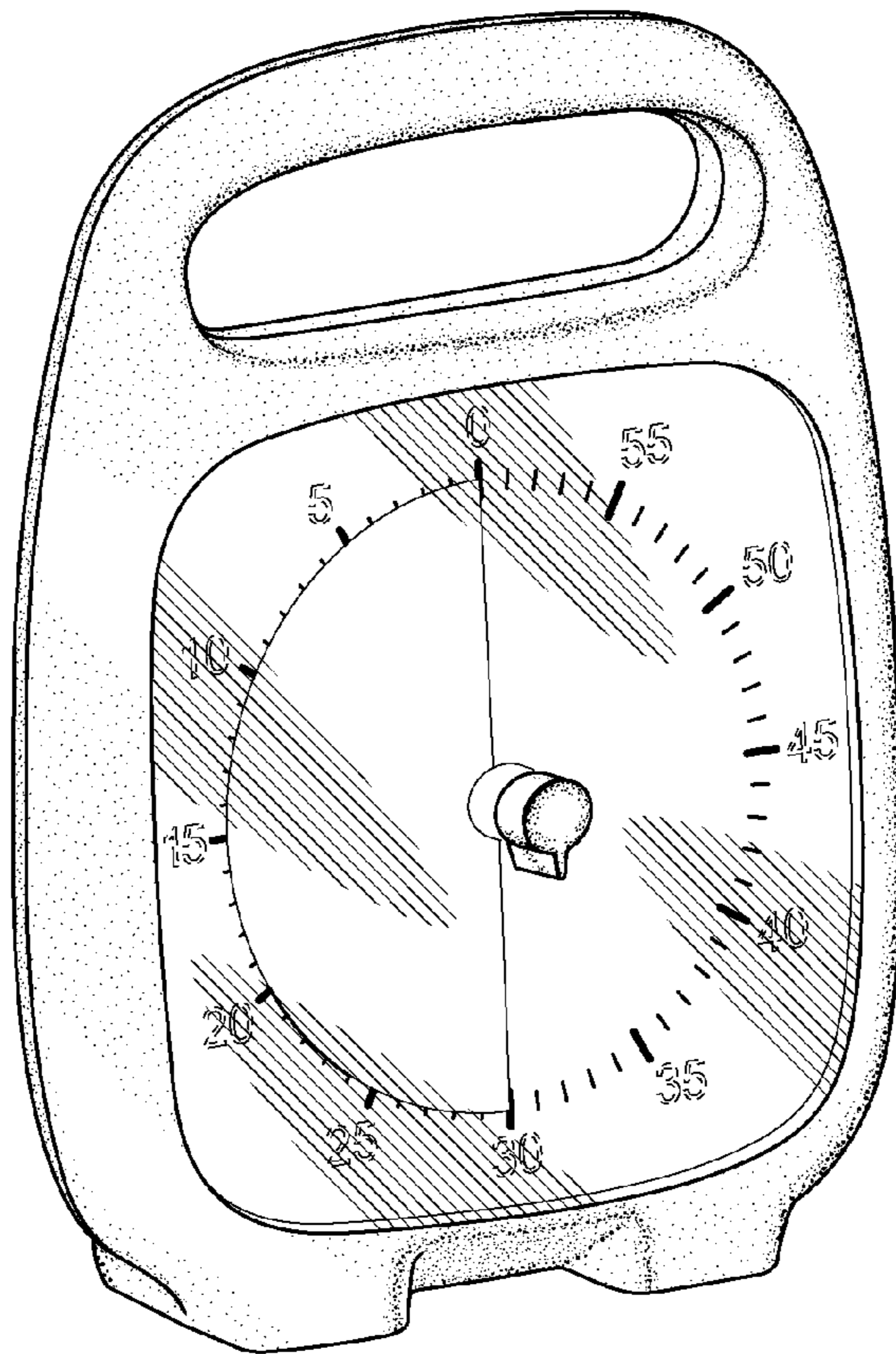


FIG. 1

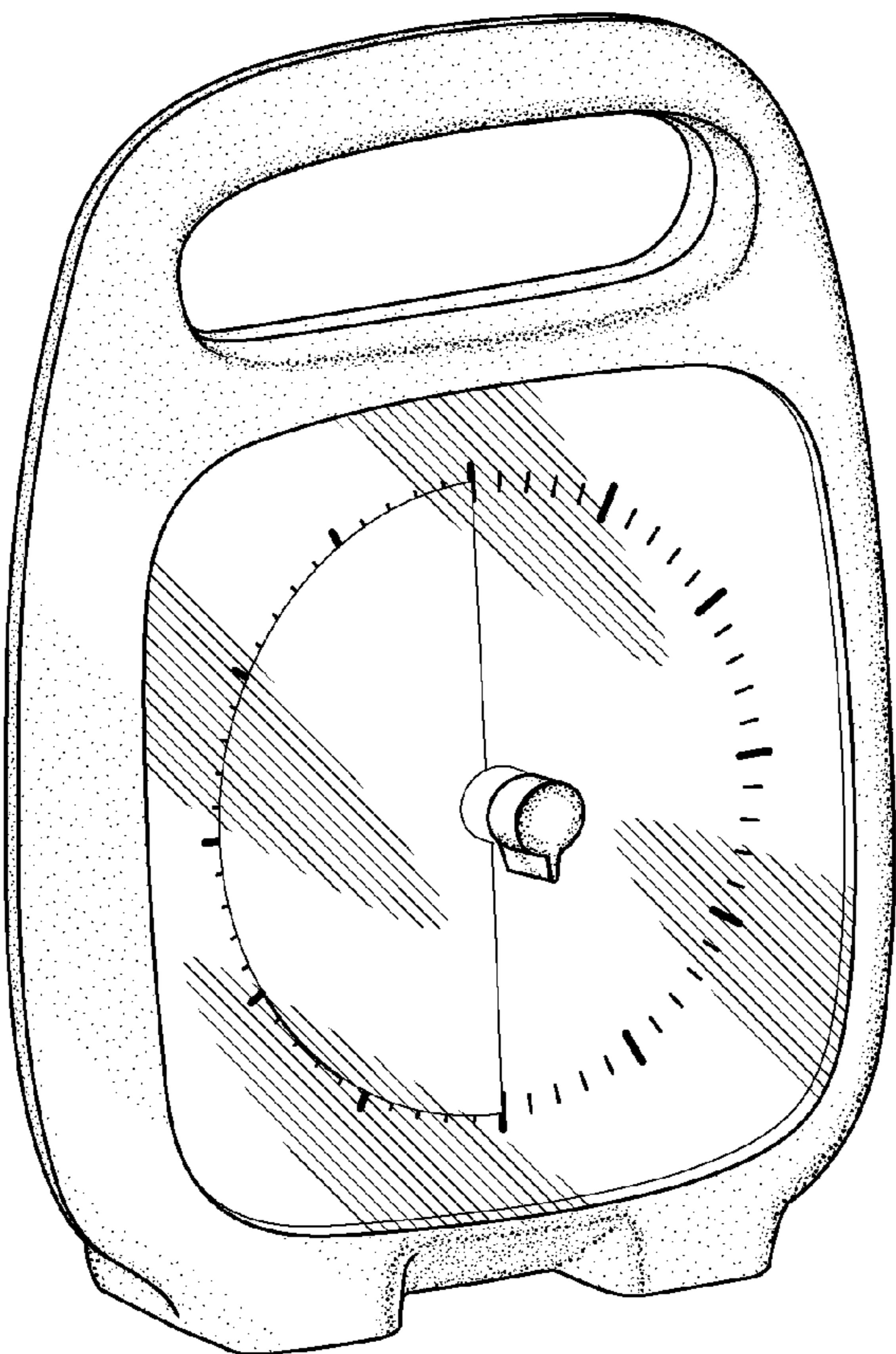


FIG. 2



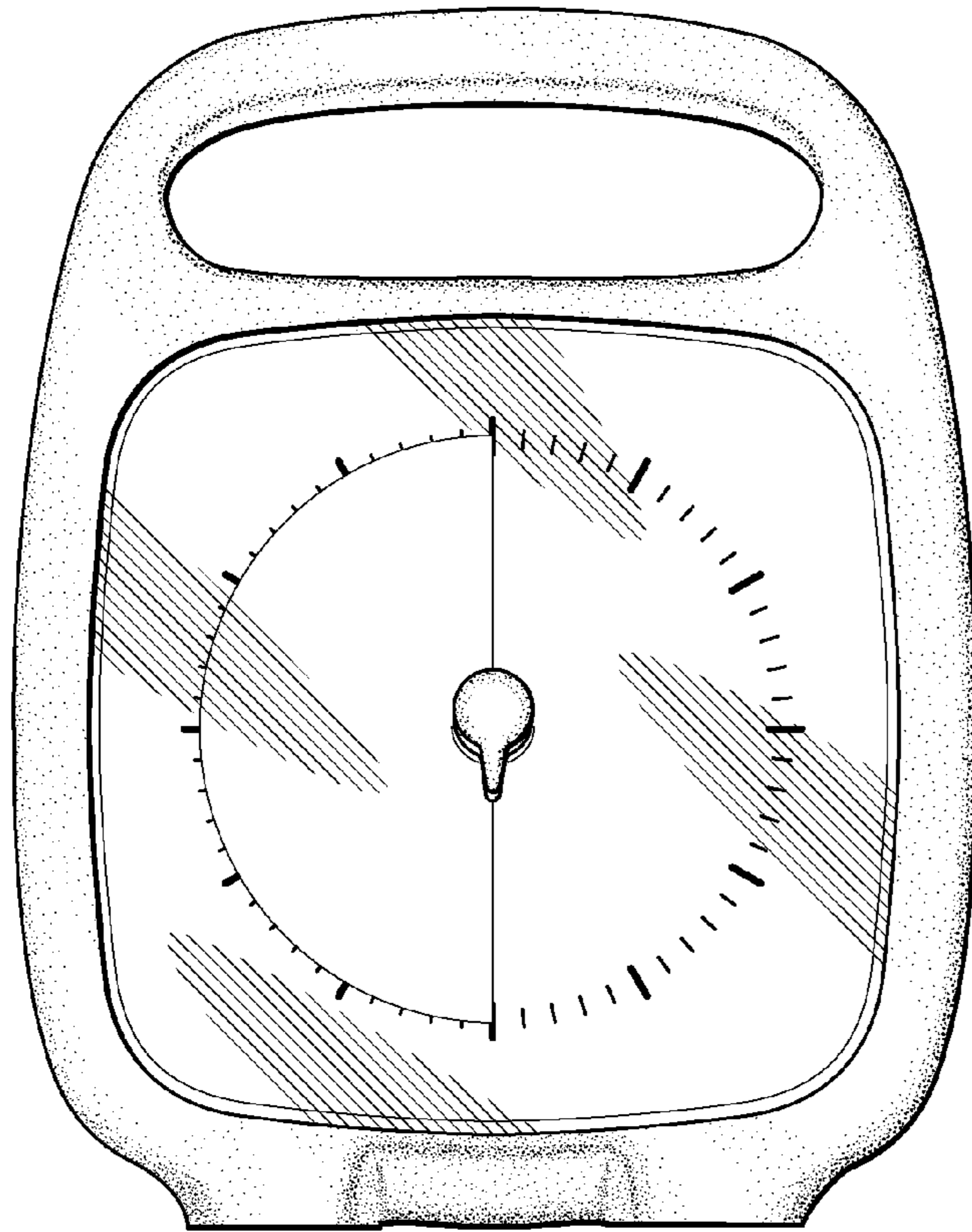


FIG. 3

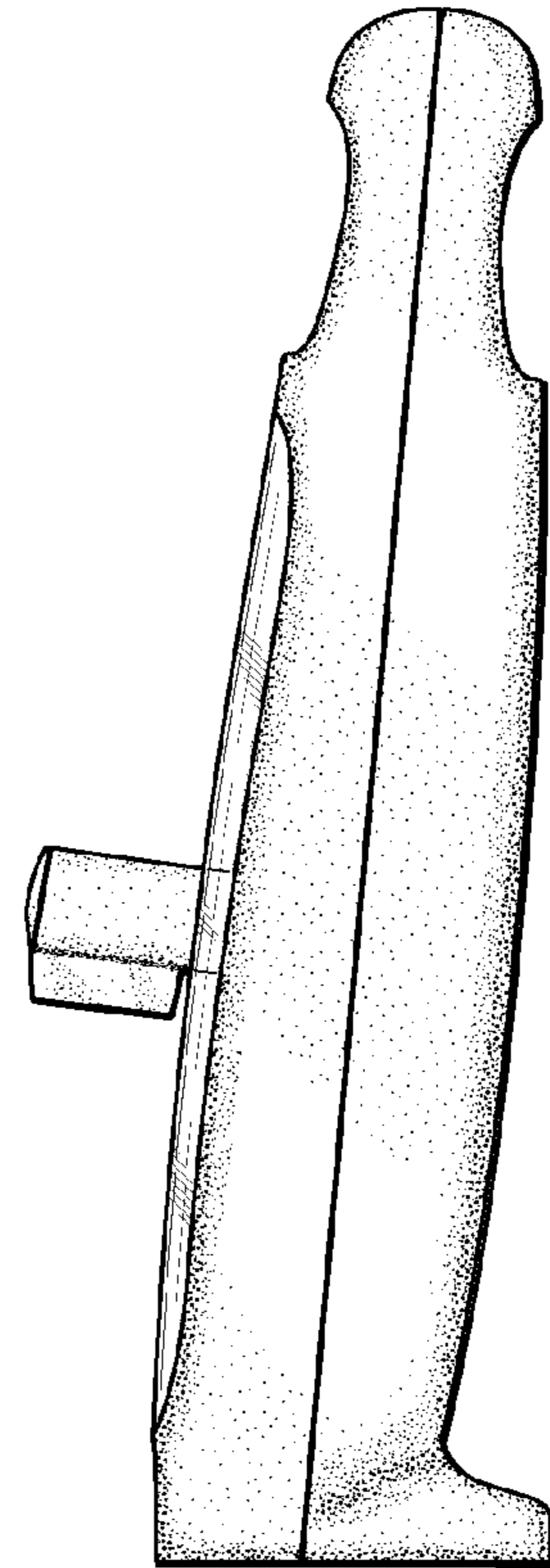


FIG. 4

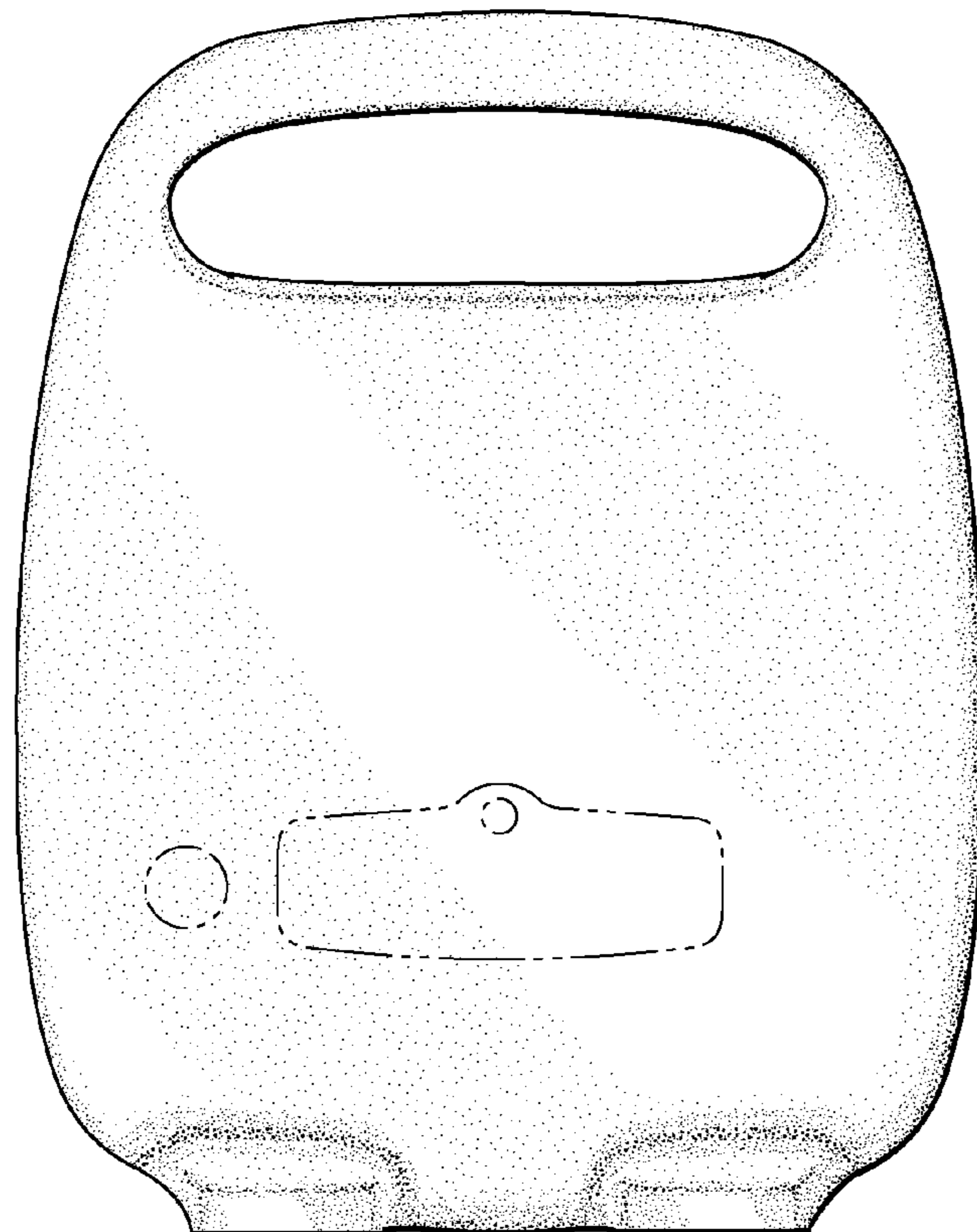


FIG. 5

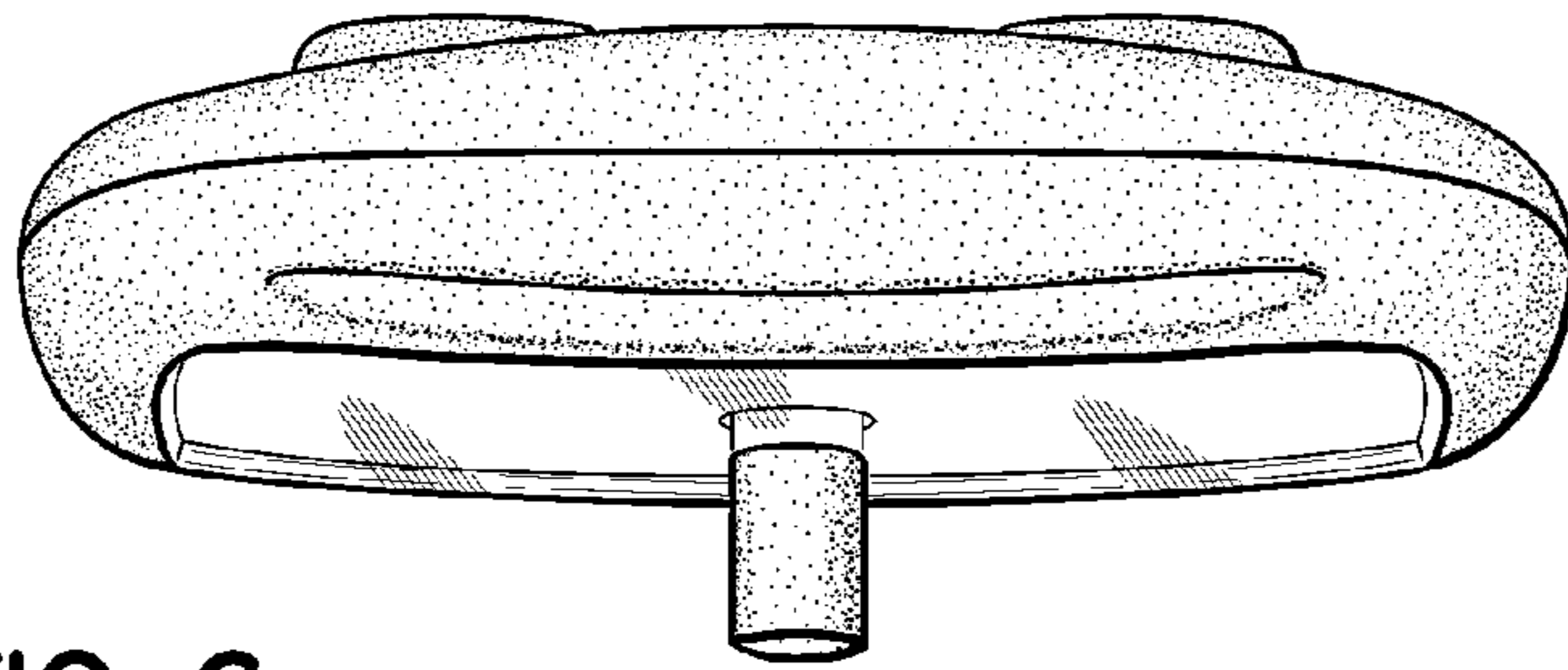


FIG. 6

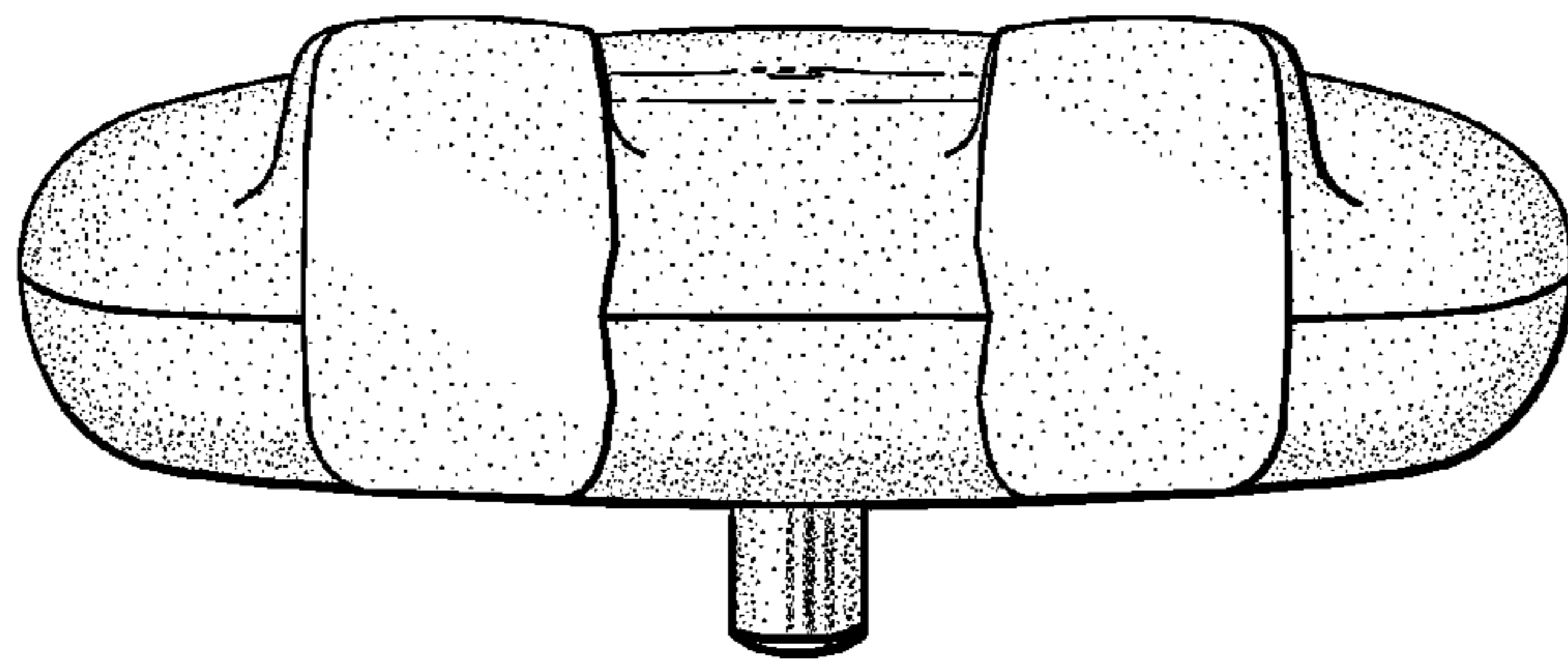


FIG. 7