



US00D705088S

(12) **United States Design Patent**
Emch

(10) **Patent No.:** **US D705,088 S**
(45) **Date of Patent:** **** May 20, 2014**

(54) **WATCH**
(71) Applicant: **Manuel Emch**, Wollerau (CH)
(72) Inventor: **Manuel Emch**, Wollerau (CH)
(73) Assignee: **RJ Watches S.A.** (CH)
(**) Term: **14 Years**

D484,815 S * 1/2004 Baumann D10/32
D538,681 S * 3/2007 Quintavalle D10/38
D565,428 S * 4/2008 Wunderman D10/32
D583,259 S * 12/2008 Arpa D10/39
D592,975 S * 5/2009 Markl D10/32
D594,350 S * 6/2009 Arpa D10/32
D597,859 S * 8/2009 Arpa D10/32
D608,223 S * 1/2010 Salanitro D10/38
D642,075 S * 7/2011 Crocco D10/39
D656,417 S * 3/2012 Monachon D10/39
D678,081 S * 3/2013 Cabiddu D10/38

(21) Appl. No.: **29/469,417**

* cited by examiner

(22) Filed: **Oct. 10, 2013**

Primary Examiner — Lucy Lieberman

(30) **Foreign Application Priority Data**

(74) *Attorney, Agent, or Firm* — Galbreath Law Offices, P.C.; John A. Galbreath

Apr. 10, 2013 (WO) DM/080892

(51) **LOC (10) Cl.** **10-02**

(57) **CLAIM**

The ornamental design for a watch, as shown and described.

(52) **U.S. Cl.**

USPC **D10/39**

DESCRIPTION

(58) **Field of Classification Search**

USPC D10/30-39, 122-132; 368/276, 281,
368/282, 80, 223, 228, 232

See application file for complete search history.

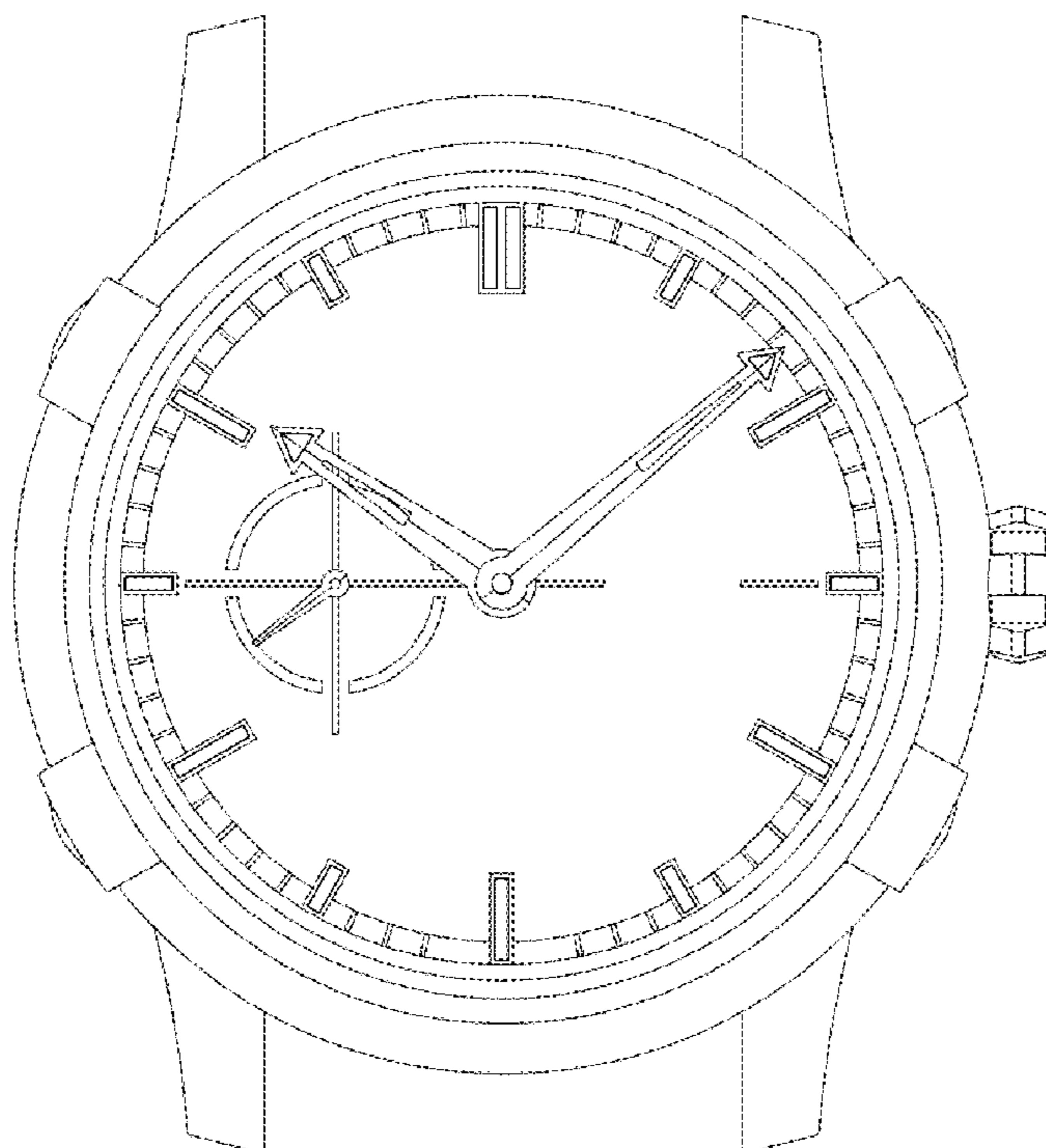
FIG. 1 is a front view of the invention;
FIG. 2 is a back view of the invention;
FIG. 3 is a top view of the invention;
FIG. 4 is a bottom view of the invention;
FIG. 5 is a side view of the invention;
FIG. 6 is another side view of the invention, showing the side opposite that shown in FIG. 5; and,
FIG. 7 is a perspective view of the invention.

(56) **References Cited**

U.S. PATENT DOCUMENTS

2,361,563 A * 10/1944 Pellaton 368/80
D459,241 S * 6/2002 Bodino D10/32
6,570,823 B1 * 5/2003 Gilomen et al. 368/113

1 Claim, 1 Drawing Sheet



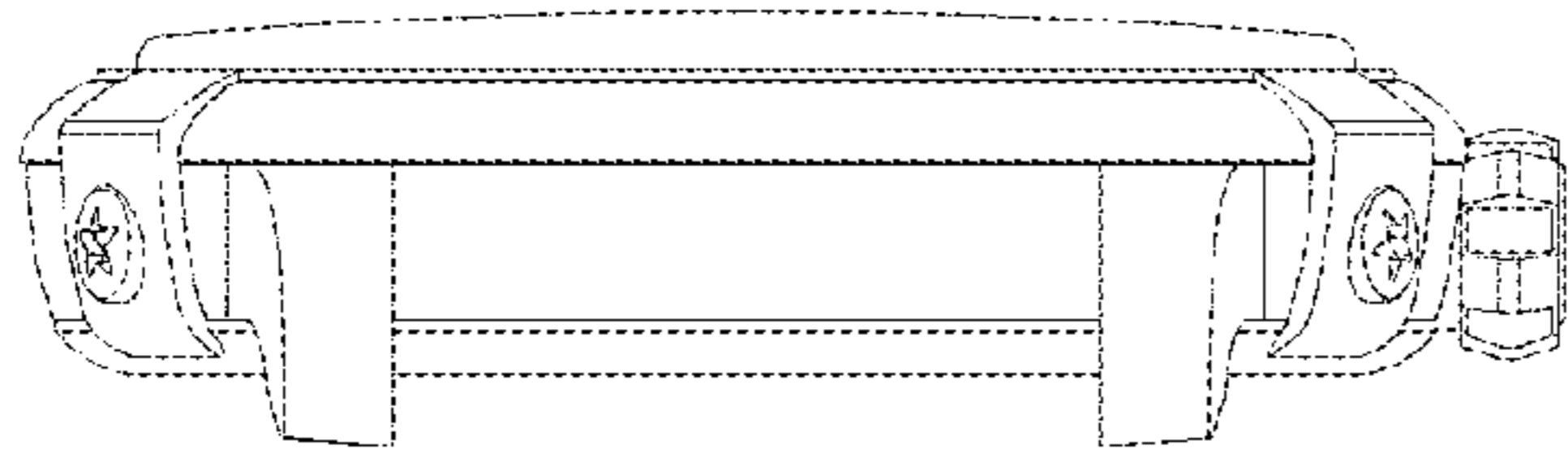


fig.1

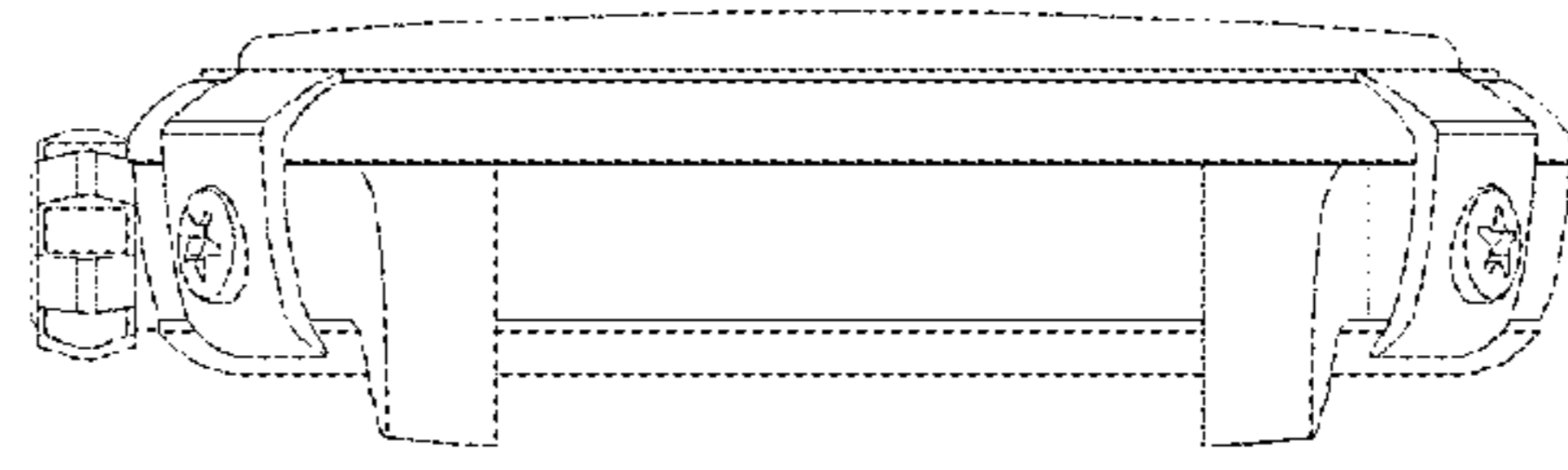


fig.2

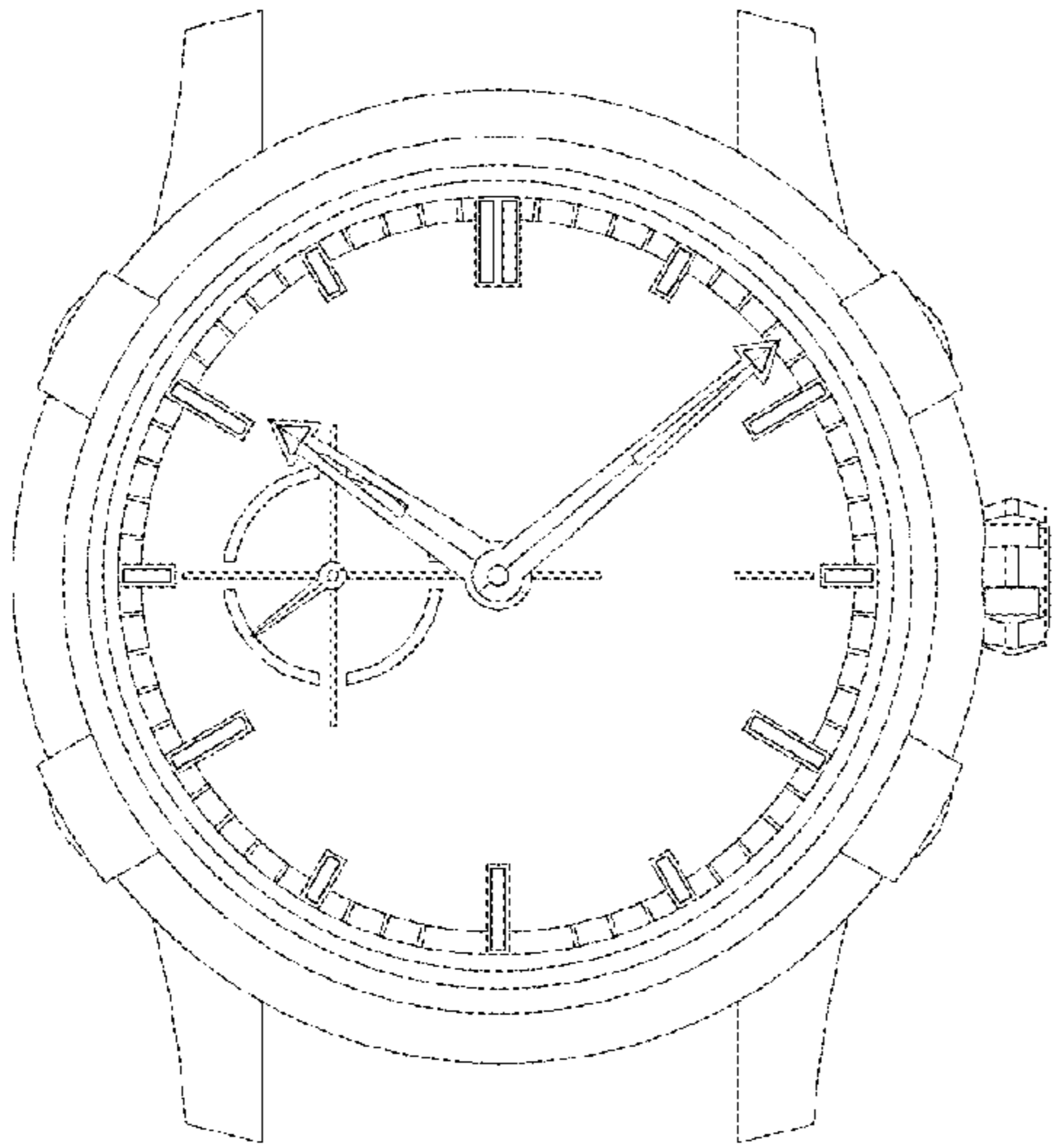


fig.3

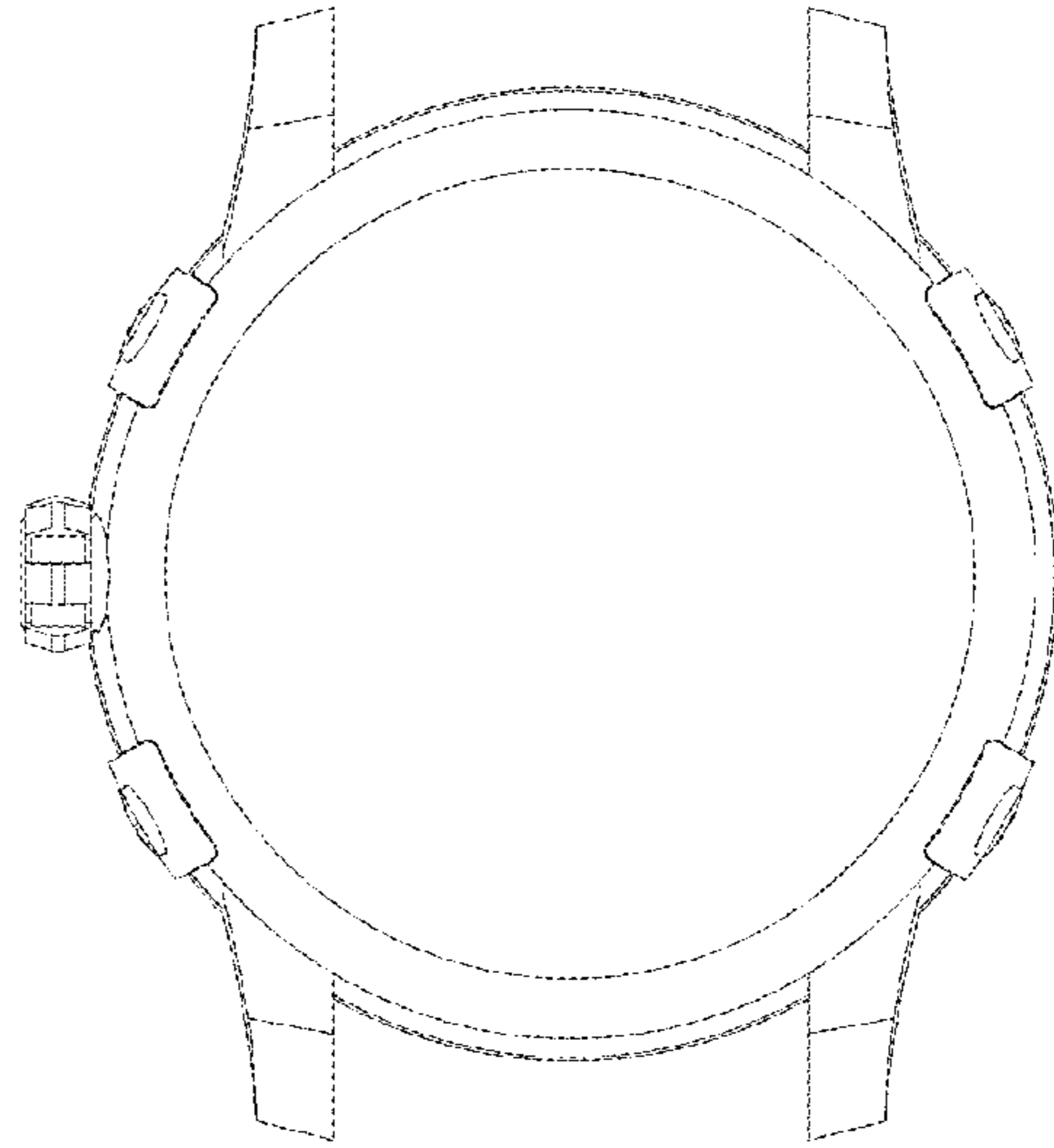


fig.4

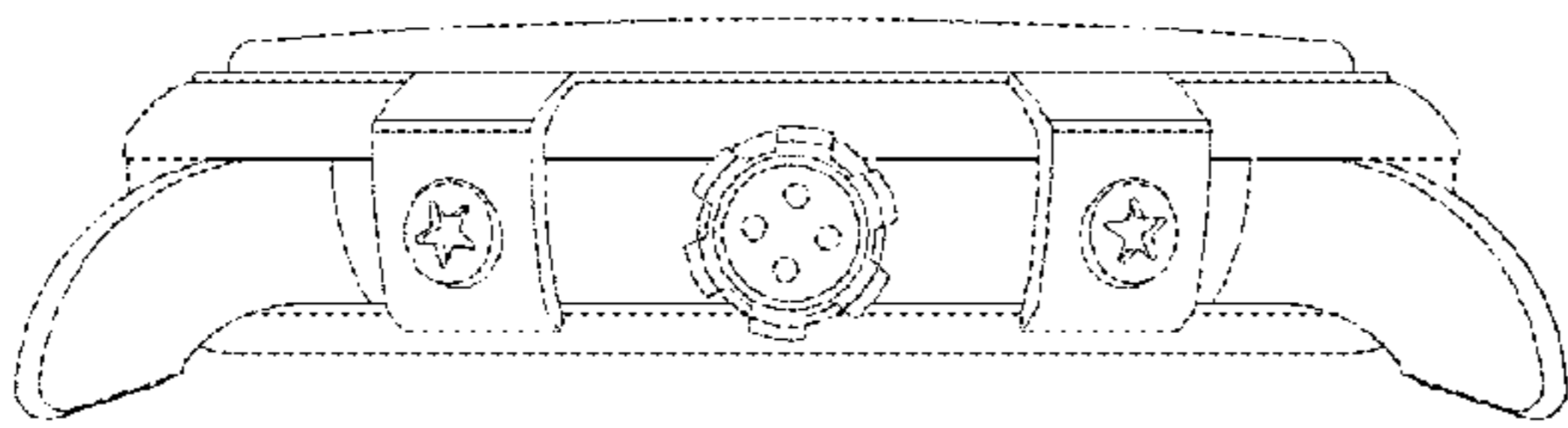


fig.5

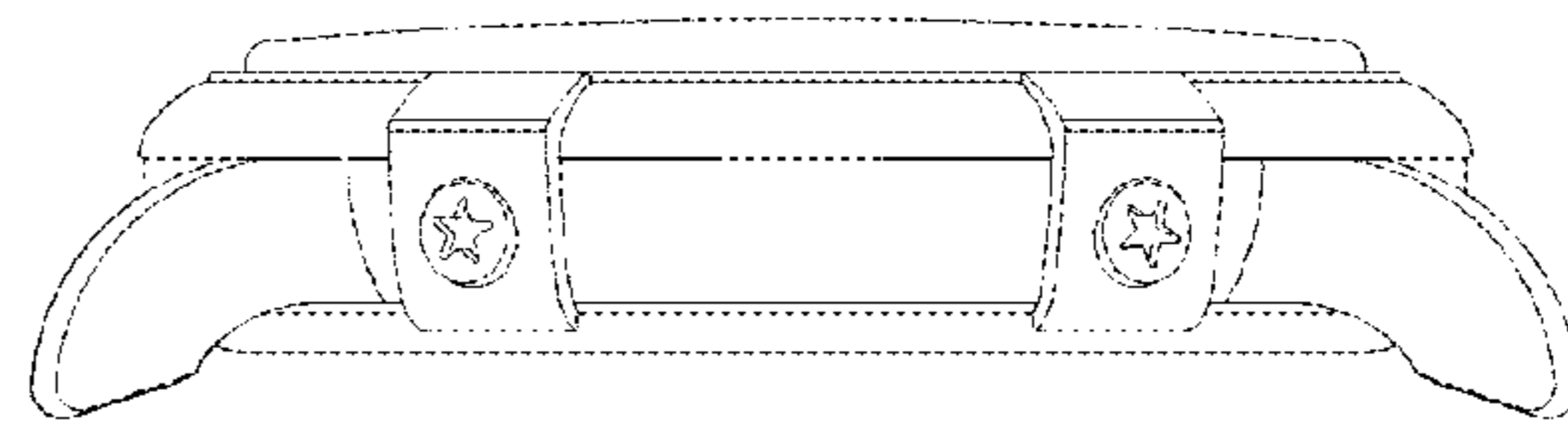


fig.6

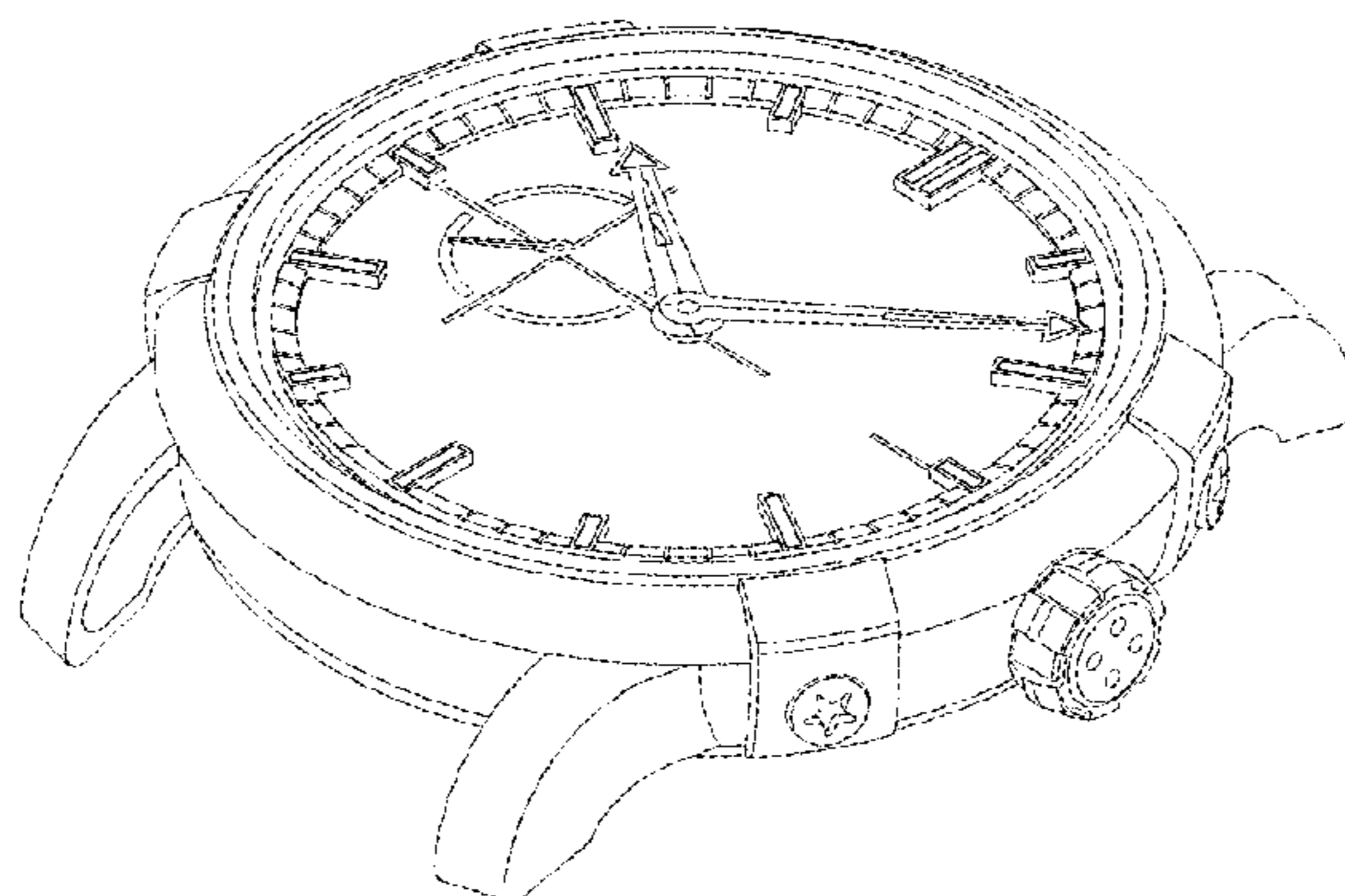


fig.7