



US00D705086S

(12) **United States Design Patent**
Adio

(10) **Patent No.:** **US D705,086 S**

(45) **Date of Patent:** **** May 20, 2014**

(54) **WRIST WATCH**

(71) Applicant: **Ambokile Adio**, Trinidad (TT)

(72) Inventor: **Ambokile Adio**, Trinidad (TT)

(73) Assignee: **Ambokile Adio**, Trinidad (TT)

(**) Term: **14 Years**

(21) Appl. No.: **29/456,991**

(22) Filed: **Jun. 6, 2013**

(30) **Foreign Application Priority Data**

Jan. 3, 2013 (TT) TT/f/2013/00001

(51) **LOC (10) Cl.** **10-02**

(52) **U.S. Cl.**
USPC **D10/39**

(58) **Field of Classification Search**
USPC D10/30-39, 122-132; 368/276, 281,
368/282, 80, 223, 228, 232
See application file for complete search history.

(56) **References Cited**

U.S. PATENT DOCUMENTS

D101,076 S *	9/1936	Wadsworth	D10/39
2,226,138 A *	12/1940	Prestinari	368/281
D281,585 S *	12/1985	Vittadini	D10/32
4,575,833 A *	3/1986	Bakhtiari	368/282
4,639,144 A *	1/1987	Chau	368/276
D296,993 S *	8/1988	Givings	D10/32
D303,635 S *	9/1989	Kurzina	D10/32
4,879,702 A *	11/1989	Gardner	368/282
5,068,840 A *	11/1991	Buckner	368/281
D422,513 S *	4/2000	Bodino	D10/32
D447,701 S *	9/2001	Bodino	D10/32
D452,957 S *	1/2002	Bodino	D10/32

D463,296 S *	9/2002	Sanomi	D10/39
D474,697 S *	5/2003	Fu et al.	D10/30
D563,801 S *	3/2008	Holtzman	D10/39
D589,374 S *	3/2009	Tang	D10/32
D621,726 S *	8/2010	Lattmann	D10/38
D628,909 S *	12/2010	Giannini	D10/32
D638,723 S *	5/2011	Ong	D10/32
D661,275 S *	6/2012	Roka	D14/138 R

OTHER PUBLICATIONS

Hong Kong Watches & Clocks, Feb. 2003, p. 19, Hanville co. rectangular watches.*

Hong Kong Watches & Clocks, vol. 2, 2006, p. 40, Skytime Jewelry and Watch Co. watches.*

* cited by examiner

Primary Examiner — Lucy Lieberman

(74) *Attorney, Agent, or Firm* — Nixon & Vanderhye, PC

(57) **CLAIM**

The ornamental design for a wrist watch, as shown and described.

DESCRIPTION

FIG. 1 is a perspective view of the wrist watch showing my new design;

FIG. 2 is a front elevational view thereof;

FIG. 3 is a rear elevational view thereof;

FIG. 4 is a top plan view thereof, the bottom plan view being the same;

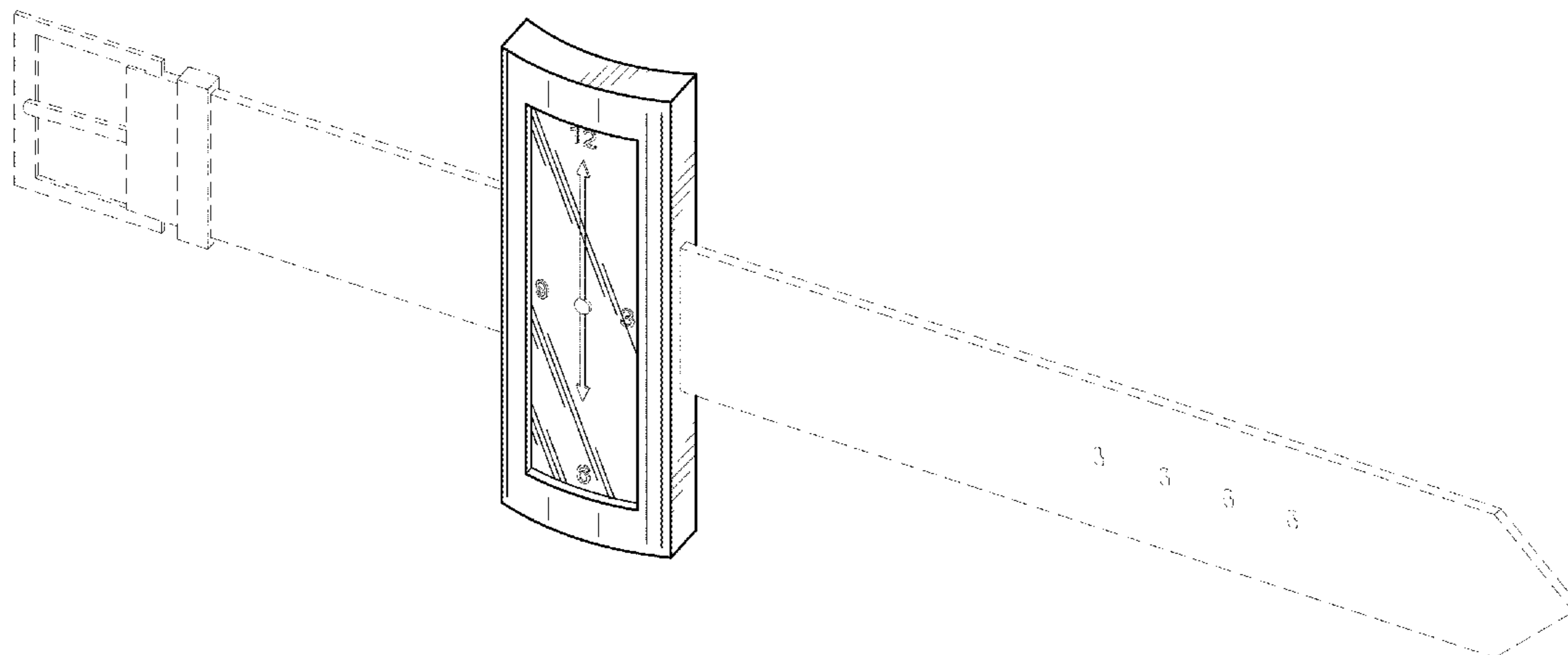
FIG. 5 is an elevational view of one side thereof;

FIG. 6 is an elevational view of the other side thereof; and,

FIG. 7 is a perspective view thereof.

The broken lines in the drawings are for illustrative purposes only and are used to show unclaimed environmental subject matter.

1 Claim, 5 Drawing Sheets



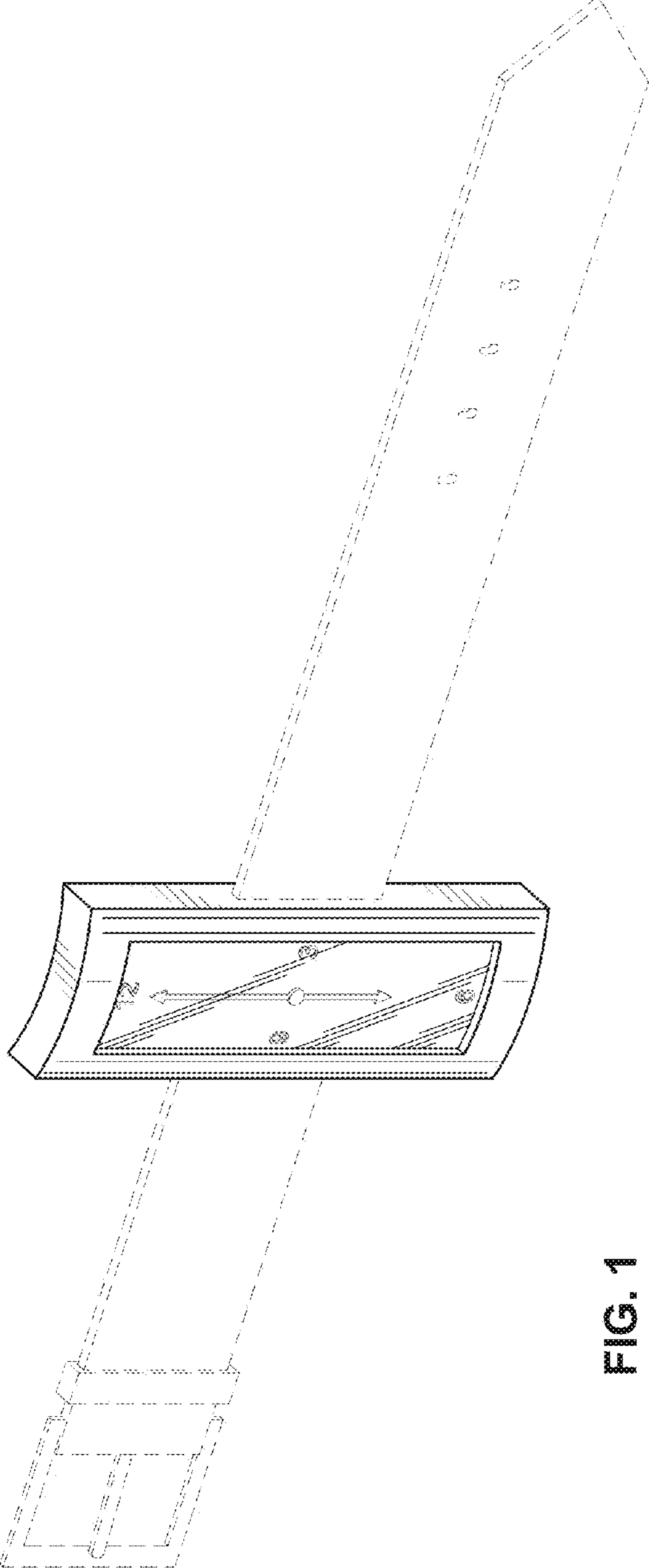


FIG. 1

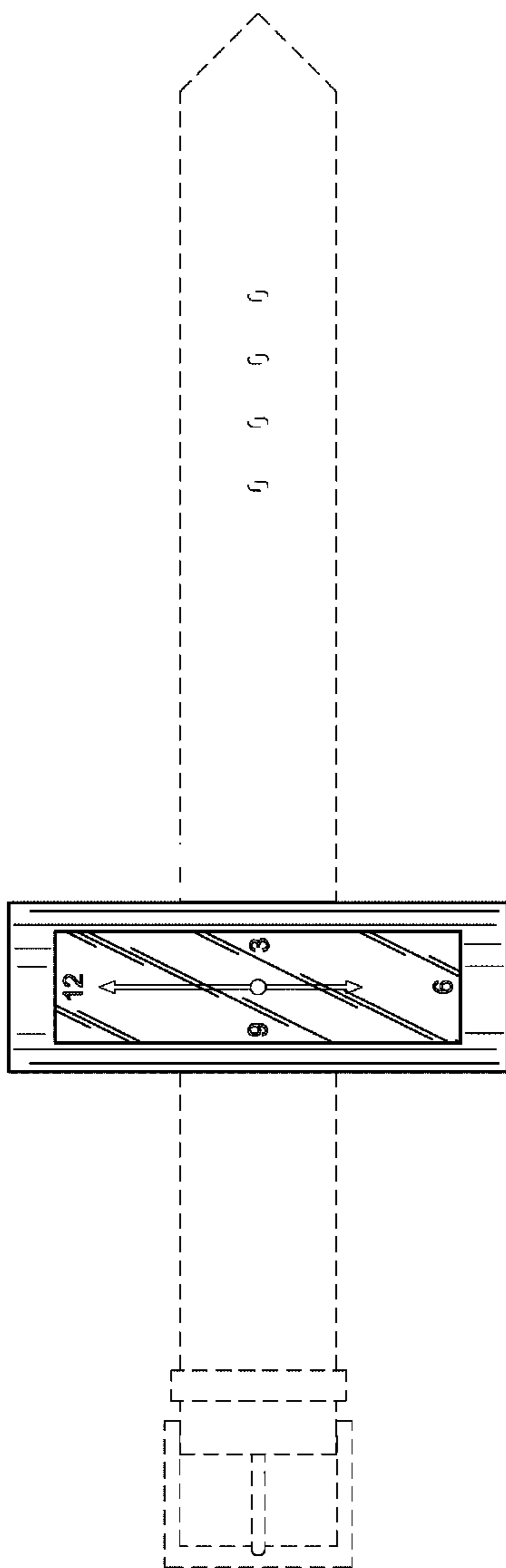


FIG. 2

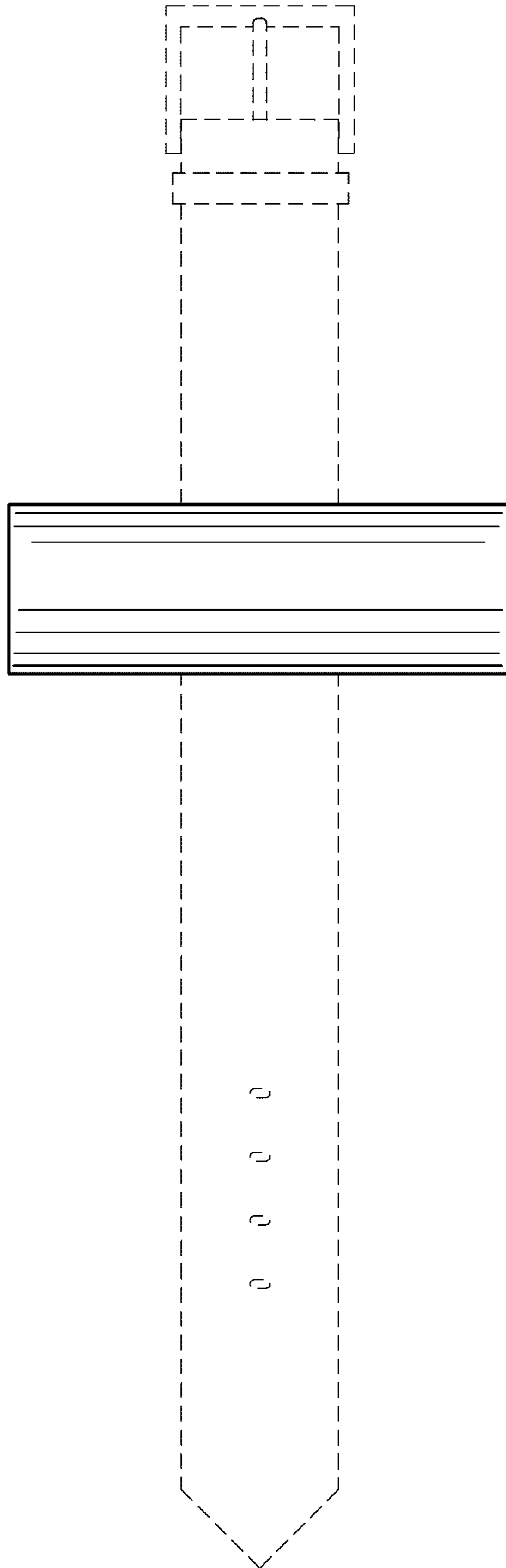


FIG. 3



FIG. 4

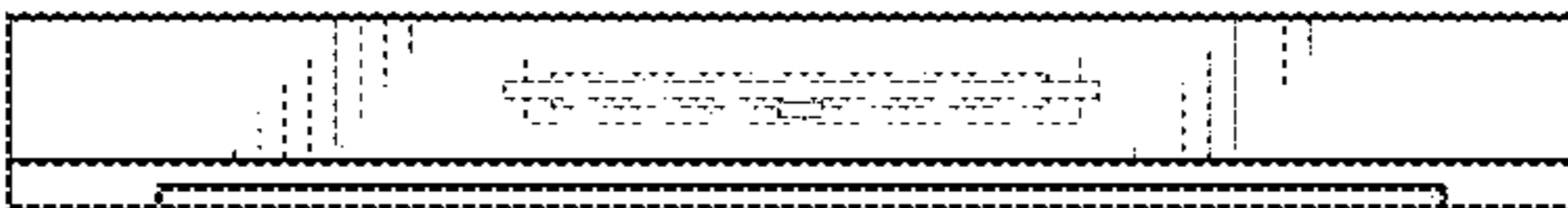


FIG. 5



FIG. 6

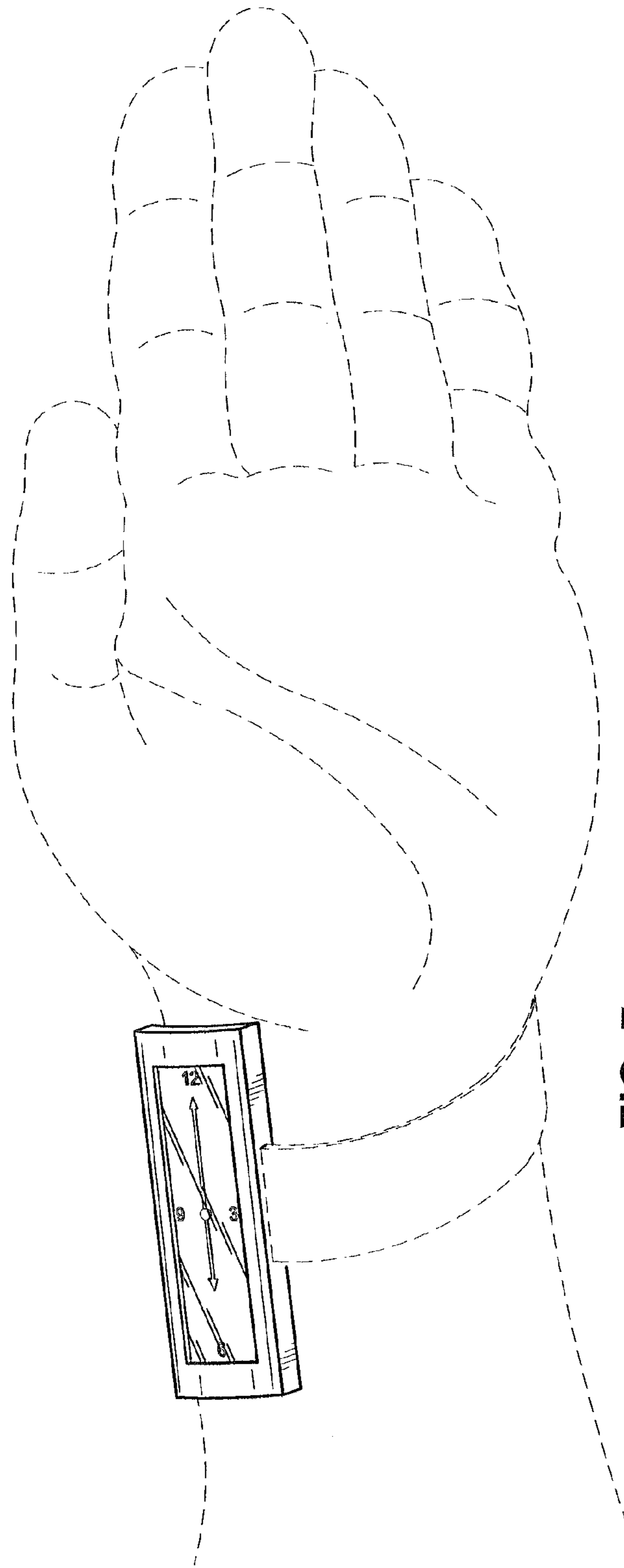


FIG. 7