



US00D705084S

(12) **United States Design Patent**  
**Emmenegger et al.**

(10) **Patent No.:** **US D705,084 S**

(45) **Date of Patent:** **\*\* May 20, 2014**

(54) **WRISTWATCH**

(71) Applicant: **Sowind SA**, La Chaux-de-Fonds (CH)

(72) Inventors: **Claude Emmenegger**, La Chaux-de-Fonds (CH); **Marjorie Cugney**, La Chaux-de-Fonds (CH)

(73) Assignee: **Sowind SA**, La Chaux-de-Fonds (CH)

(\*\*) Term: **14 Years**

(21) Appl. No.: **29/468,104**

(22) Filed: **Sep. 26, 2013**

(30) **Foreign Application Priority Data**

Mar. 27, 2013 (CH) ..... 139675

(51) **LOC (10) CL.** ..... **10-02**

(52) **U.S. CL.**  
USPC ..... **D10/32**

(58) **Field of Classification Search**  
USPC ..... D10/30-39, 122-132; 368/276, 281, 368/282, 80, 223, 228, 232; D11/3  
See application file for complete search history.

(56) **References Cited**

**U.S. PATENT DOCUMENTS**

D246,577 S	*	12/1977	Inaba	.....	D10/30
D308,945 S	*	7/1990	Bonnet	.....	D10/32
D444,076 S	*	6/2001	Repossi	.....	D10/32
D451,820 S	*	12/2001	Sugisawa	.....	D10/30
D479,135 S	*	9/2003	Emmenegger	.....	D10/30

D496,874 S	*	10/2004	Nataf	.....	D10/126
D539,674 S	*	4/2007	Vaptzarof	.....	D10/38
D586,238 S	*	2/2009	Loth	.....	D10/32
D591,177 S	*	4/2009	Schoepfer	.....	D10/32
D594,350 S	*	6/2009	Arpa	.....	D10/32
D598,303 S	*	8/2009	Jorst et al.	.....	D10/38
D601,909 S	*	10/2009	Behling	.....	D10/38
D611,843 S	*	3/2010	Jorst et al.	.....	D10/39
D618,119 S	*	6/2010	Tonohori	.....	D10/38
D638,734 S	*	5/2011	Cole	.....	D10/126
D656,416 S	*	3/2012	Monachon	.....	D10/39
D656,417 S	*	3/2012	Monachon	.....	D10/39
8,259,536 B2	*	9/2012	Hasegawa et al.	.....	368/80
D668,971 S	*	10/2012	Tedeschi	.....	D10/39
D690,611 S	*	10/2013	Inoue	.....	D10/39

\* cited by examiner

*Primary Examiner* — Lucy Lieberman

(74) *Attorney, Agent, or Firm* — Sughrue Mion, PLLC

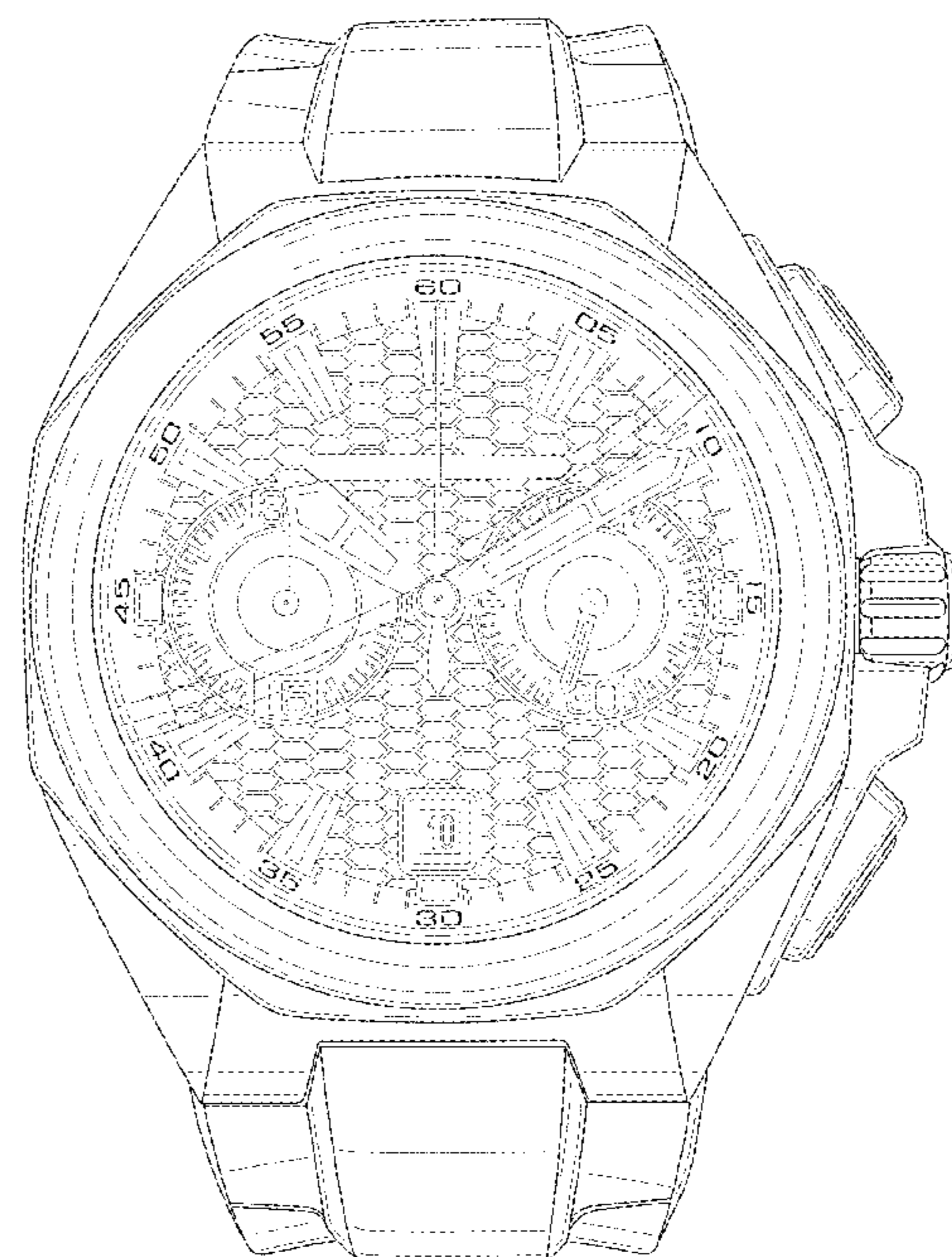
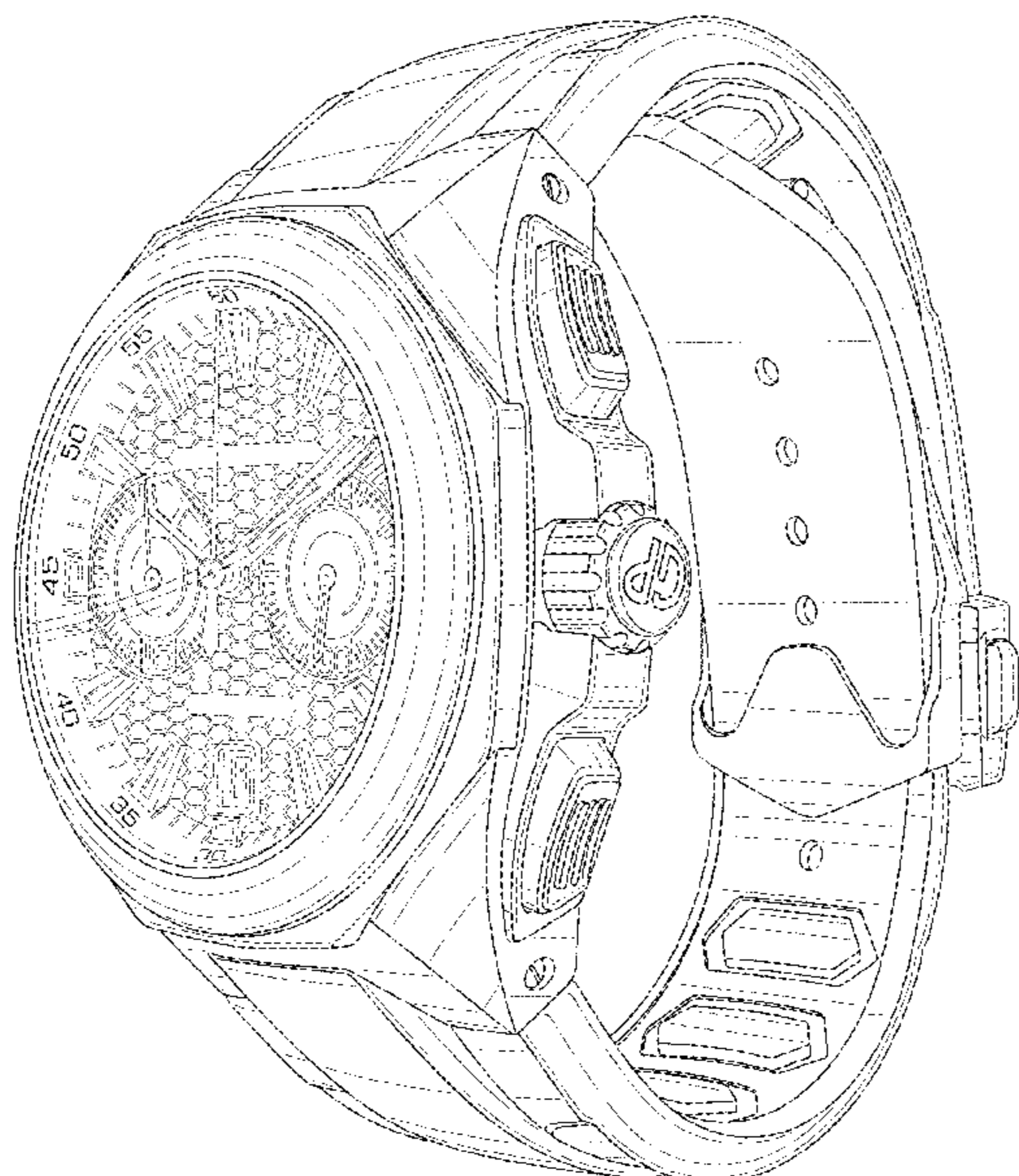
(57) **CLAIM**

The ornamental design for a wristwatch, as shown and described.

**DESCRIPTION**

FIG. 1 is a front and side perspective view of a wristwatch showing my new design;  
FIG. 2 is a rear and side perspective view thereof;  
FIG. 3 is a front elevational view thereof;  
FIG. 4 is a rear elevational view thereof;  
FIG. 5 is a left side elevational view thereof;  
FIG. 6 is a right side elevational view thereof;  
FIG. 7 is a top plan view thereof; and,  
FIG. 8 is a bottom plan view.

**1 Claim, 8 Drawing Sheets**



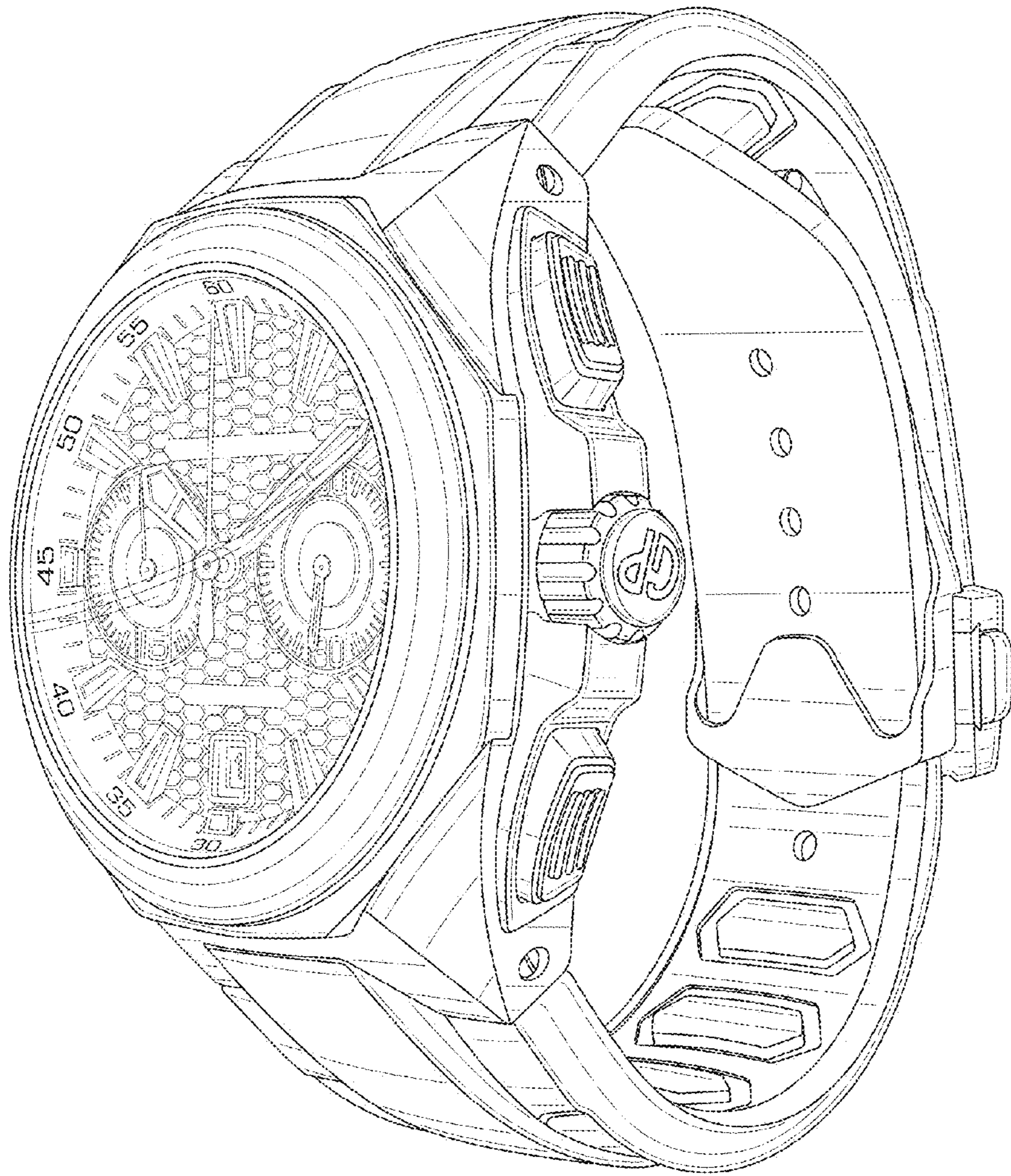


FIG. 1

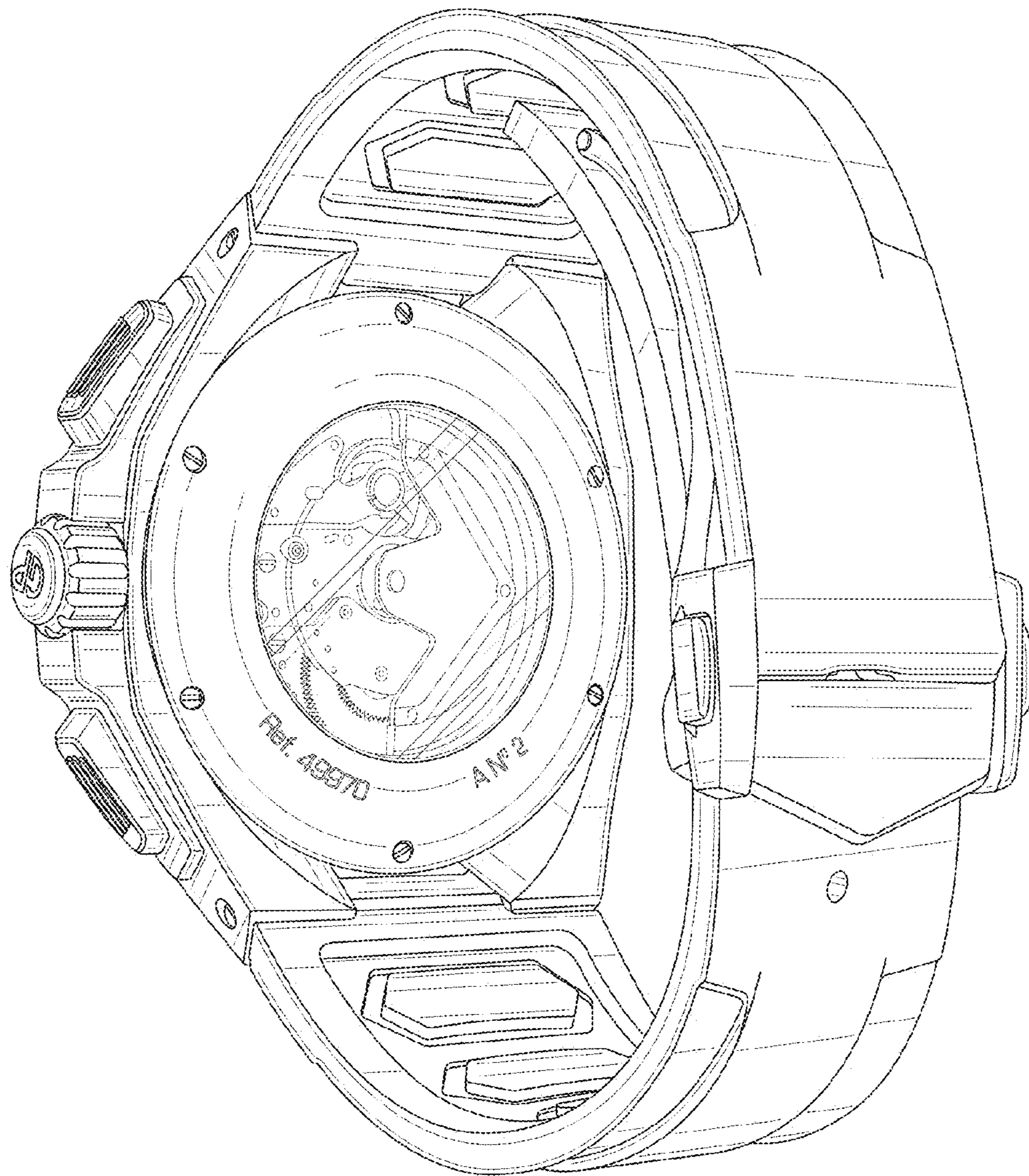


FIG. 2



FIG. 3

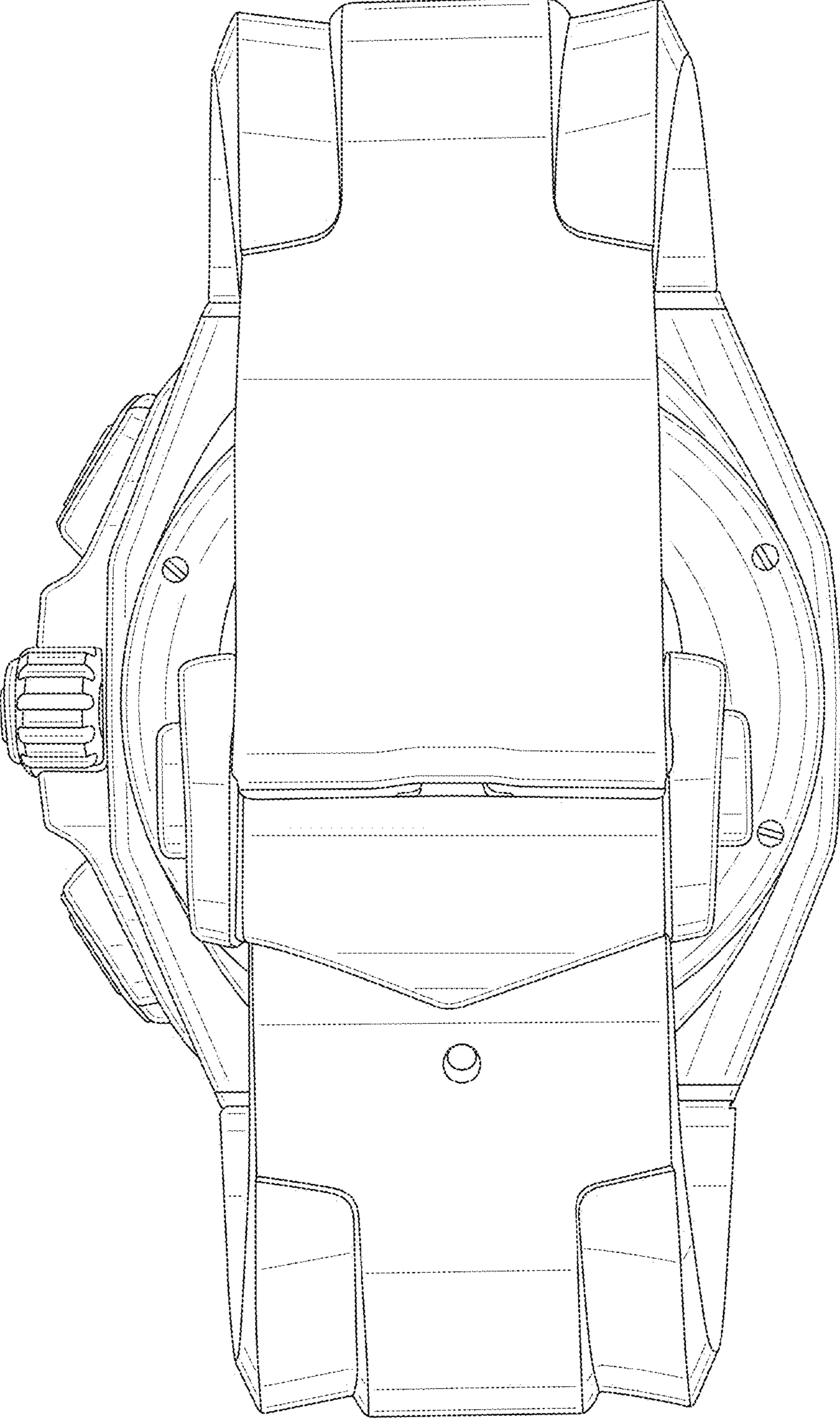


FIG. 4

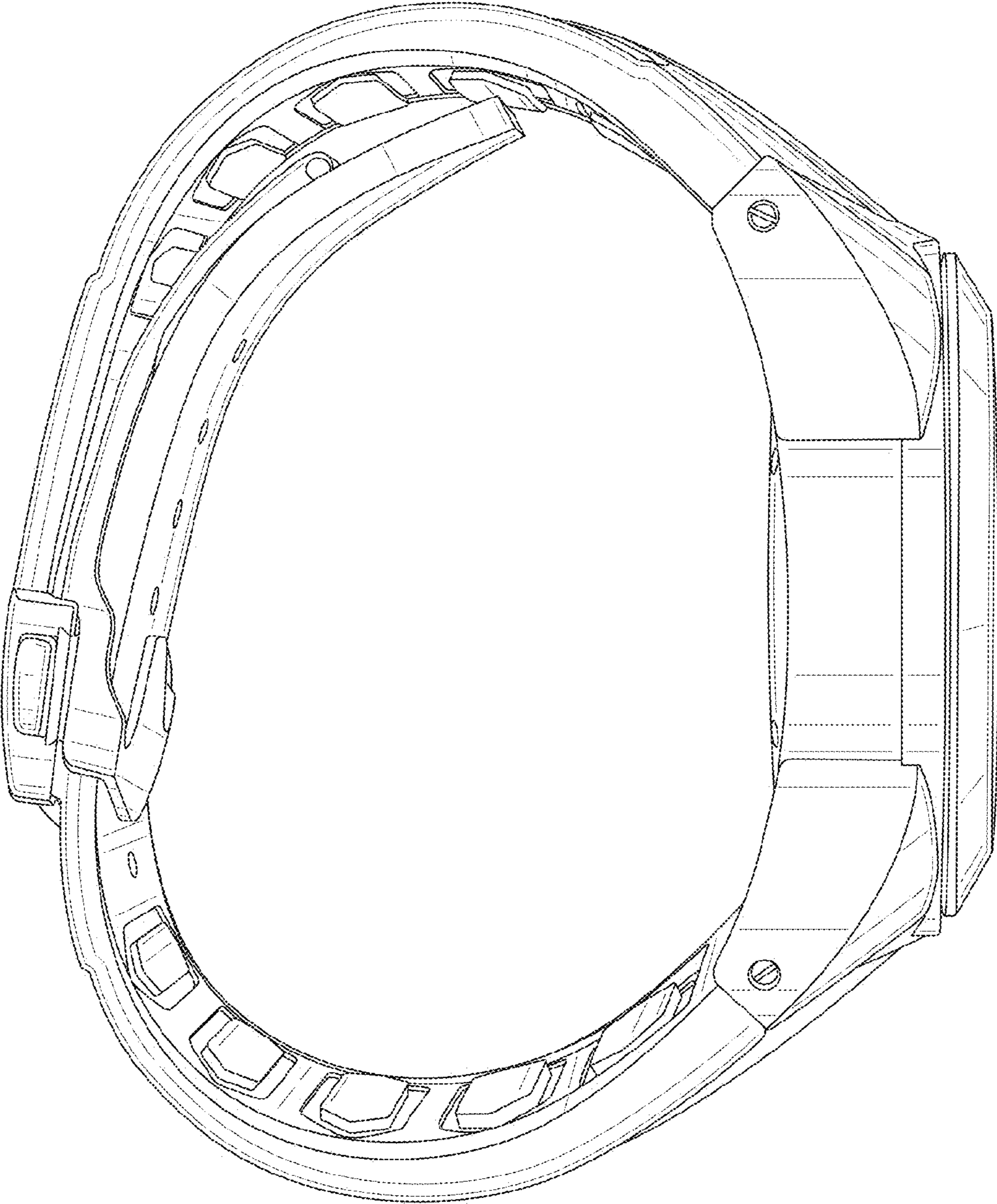


FIG. 5

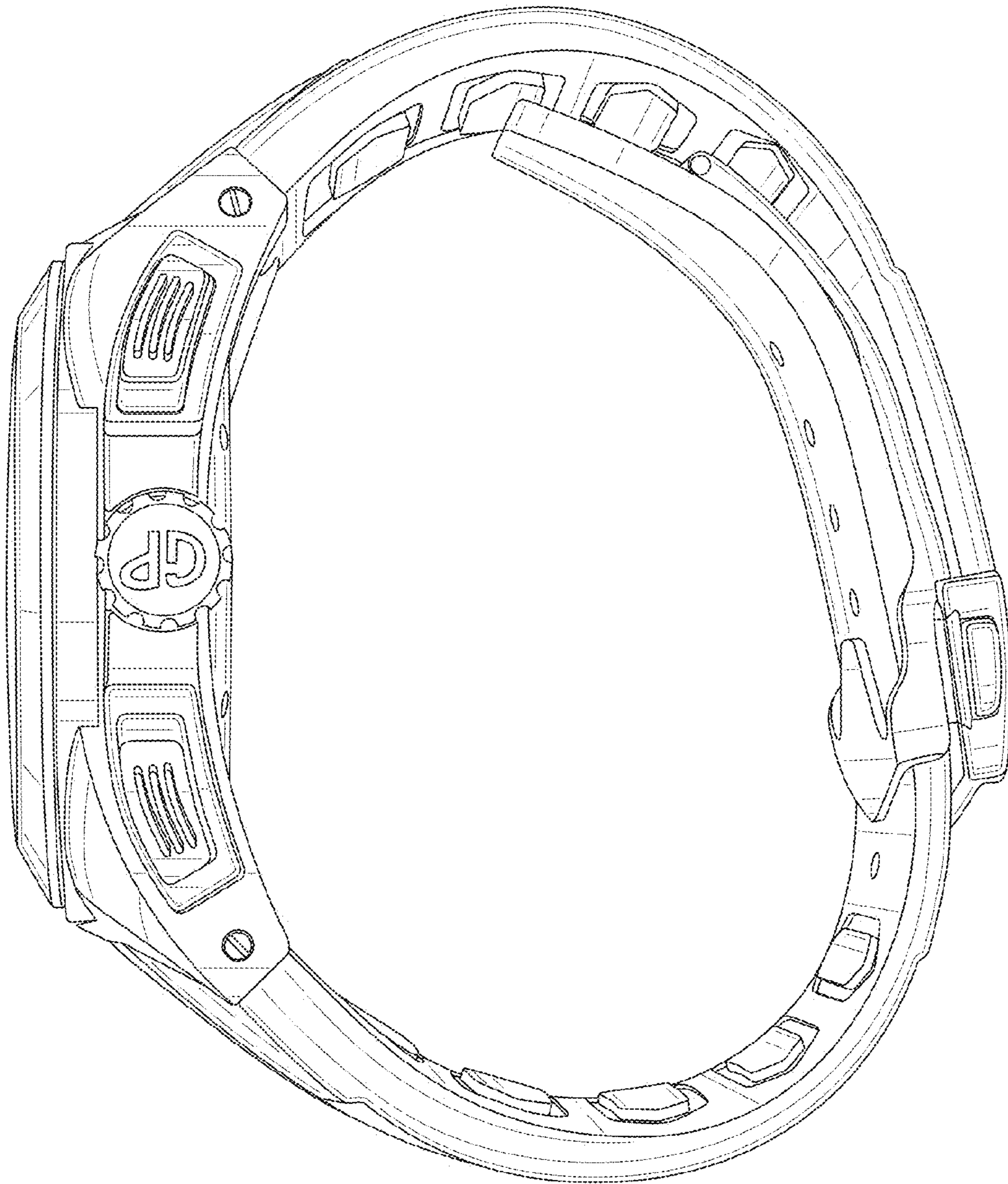


FIG. 6

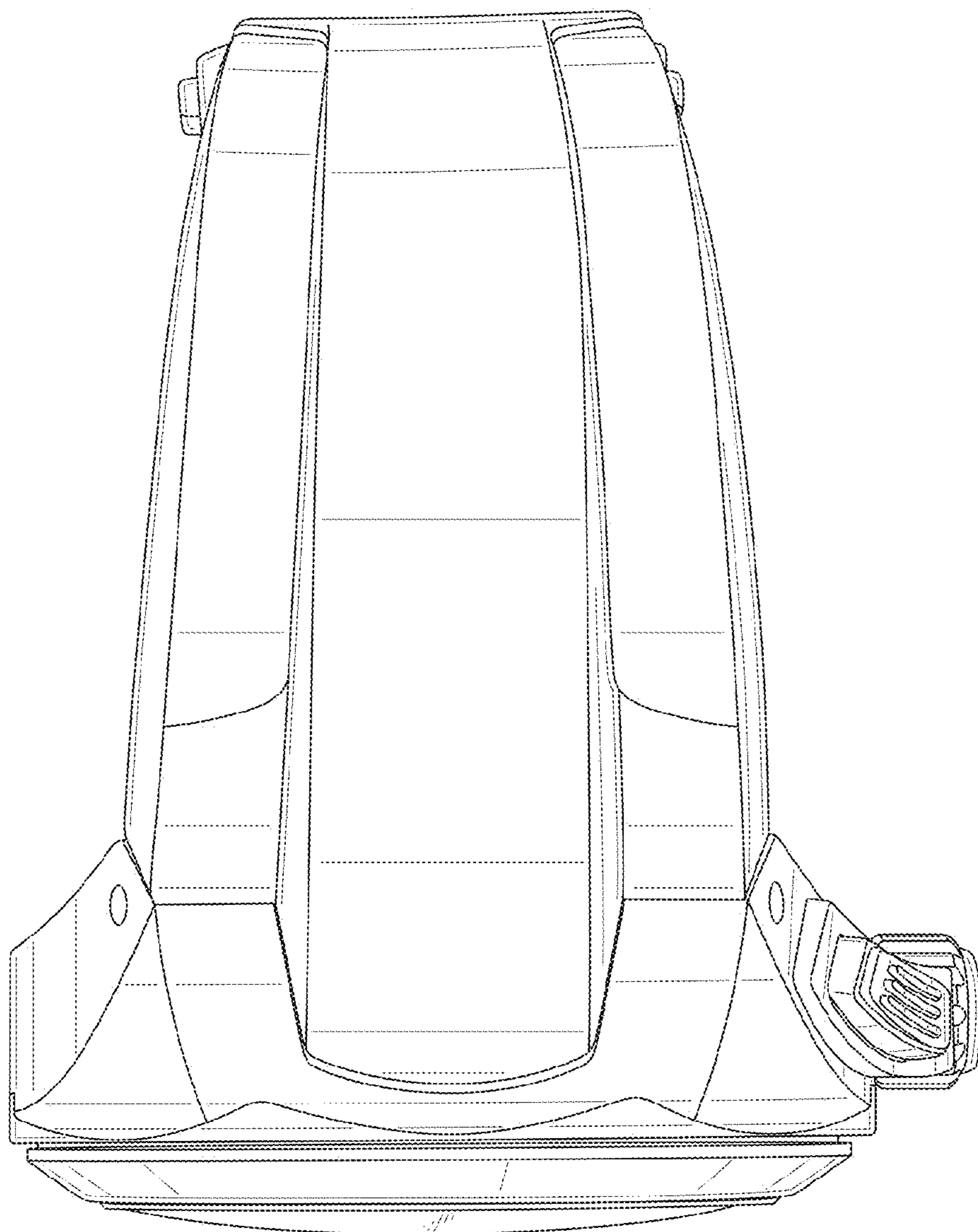


FIG. 7



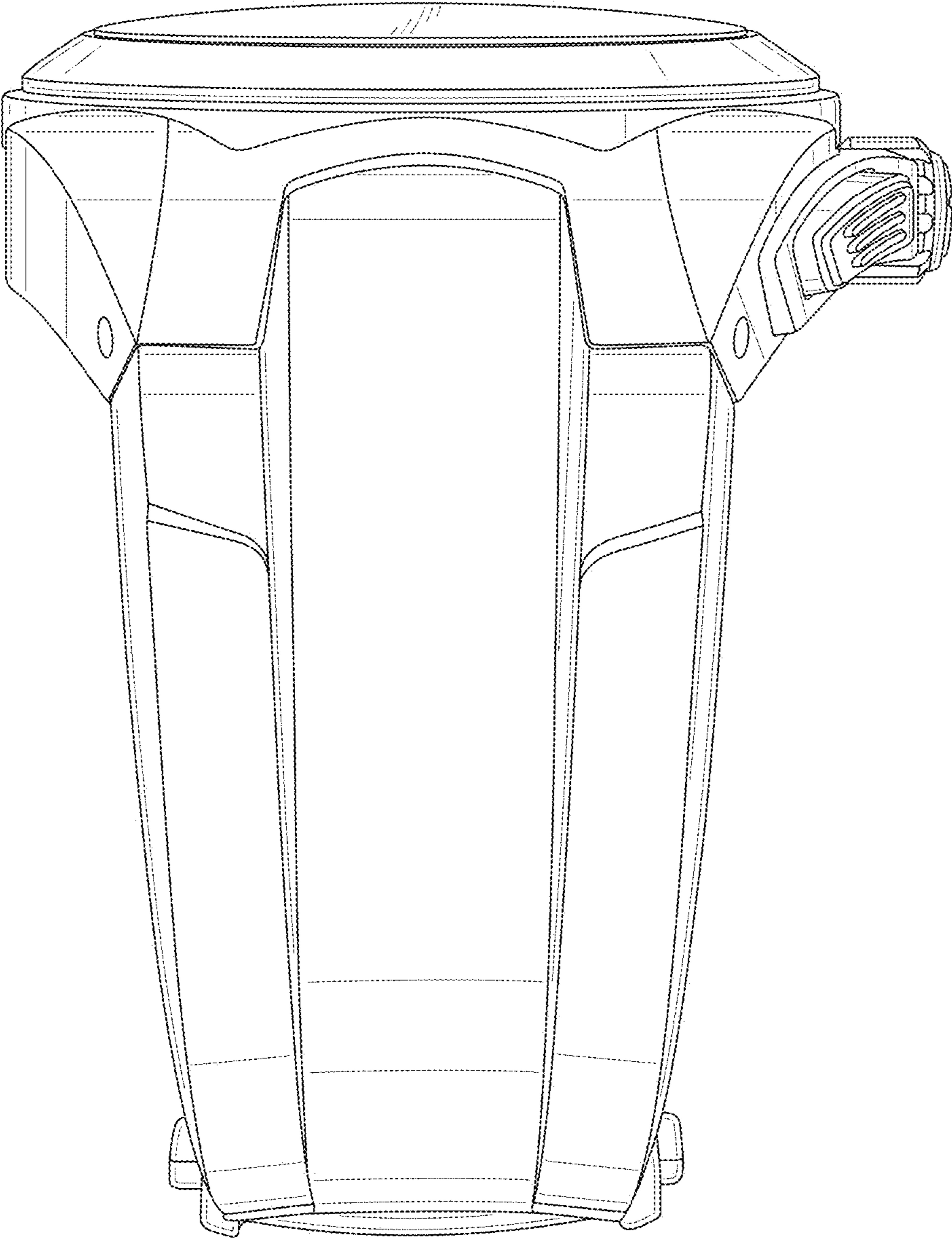


FIG. 8