



US00D705082S

(12) **United States Design Patent**
Borg et al.

(10) **Patent No.:** **US D705,082 S**

(45) **Date of Patent:** **** May 20, 2014**

(54) **TWO-PACK BOTTLE CARRIER WITH GRASPABLE LOOPS**

Primary Examiner — Mark Goodwin

(74) *Attorney, Agent, or Firm* — Alleman Hall McCoy Russell & Tuttle LLP

(71) Applicant: **Oregon Precision Industries, Inc.**, Eugene, OR (US)

(72) Inventors: **Zakary James Borg**, Eugene, OR (US); **Ronald Lee Mellor, Jr.**, Springfield, OR (US)

(57) **CLAIM**

The ornamental design for a two-pack bottle carrier with graspable loops, as shown and described.

(73) Assignee: **Oregon Precision Industries, Inc.**, Eugene, OR (US)

DESCRIPTION

(**) Term: **14 Years**

FIG. 1 is a top front perspective view of an ornamental design for a two-pack bottle carrier with graspable loops according to the present invention.

(21) Appl. No.: **29/467,911**

FIG. 2 is a bottom rear perspective view thereof.

(22) Filed: **Sep. 25, 2013**

FIG. 3 is a top view thereof.

(51) **LOC (10) Cl.** **09-03**

FIG. 4 is a front view thereof, additionally illustrating in dashed lines bottles secured within the two-pack bottle carrier with graspable loops, the back view being a mirror image thereof.

(52) **U.S. Cl.**

USPC **D9/752**

(58) **Field of Classification Search**

USPC D9/750, 751, 752, 753, 754, 455, 456; D3/315; 206/150, 151, 159, 160, 161, 206/199, 821, 200, 145, 216, 164, 430, 503, 206/509, 427, 206; 294/87.2, 87.28, 159

See application file for complete search history.

FIG. 5 is a front view thereof, additionally illustrating in dashed lines a hand lifting the two-pack bottle carrier with graspable loops by the graspable loops, as well as bottles secured within the two-pack bottle carrier with graspable loops.

(56) **References Cited**

U.S. PATENT DOCUMENTS

2,865,669	A	*	12/1958	Linthicum	294/87.2
D192,893	S	*	5/1962	Brunsing	D9/752
D194,199	S	*	12/1962	Poupitch	D9/752
D197,356	S	*	1/1964	De Shazor, Jr.	D9/752
D197,357	S	*	1/1964	De Shazor, Jr.	D9/752
D197,358	S	*	1/1964	De Shazor, Jr.	D9/752
D199,284	S	*	9/1964	Petrone	D9/752
3,268,070	A	*	8/1966	Cunningham	206/150
D237,465	S	*	11/1975	Calvert	D9/752
D237,466	S	*	11/1975	Calvert	D9/752
D237,589	S	*	11/1975	Calvert	D9/752
D238,146	S	*	12/1975	Calvert	D9/752
D238,249	S	*	12/1975	Erickson	D9/752
D238,657	S	*	2/1976	Erickson	D9/752

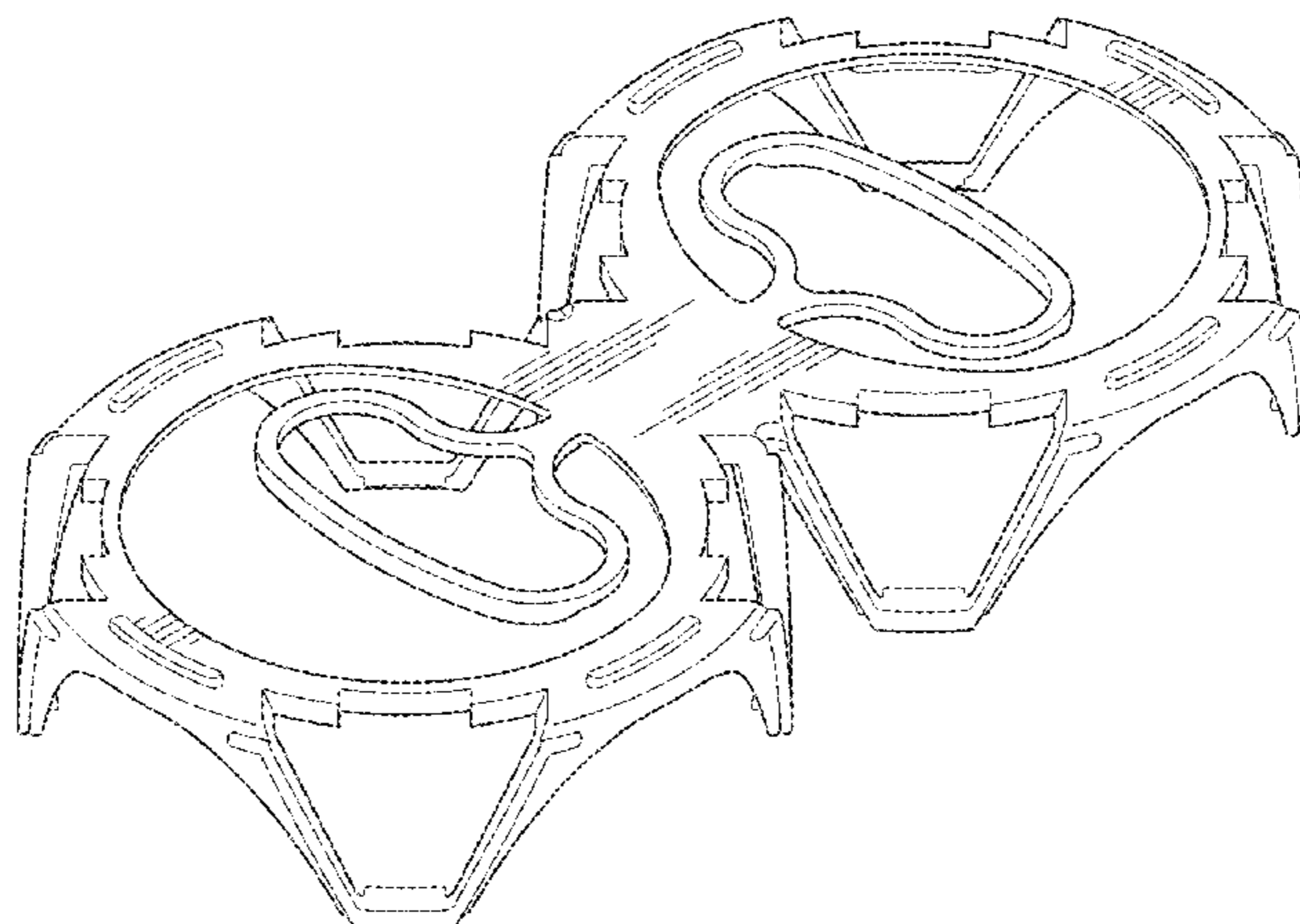
FIG. 6 is a right side view thereof, additionally illustrating in dashed lines bottles secured within the two-pack bottle carrier with graspable loops, the left side view being a mirror image thereof; and,

FIG. 7 is a bottom view thereof.

Dashed lines in FIGS. 4 and 6 illustrate environment in the form of bottles secured within rings of the two-pack bottle carrier with graspable loops. The dashed lines illustrating the bottles in FIGS. 4 and 6 form no part of the claimed design. Additional dashed lines in FIG. 5 illustrate environment in the form of a hand shown grasping loops of the two-pack bottle carrier with graspable loops, and bottles secured within rings of the two-pack bottle carrier with graspable loops. The dashed lines illustrating the hand and bottles in FIG. 5 also form no part of the claimed design.

(Continued)

1 Claim, 6 Drawing Sheets



(56)

References Cited

U.S. PATENT DOCUMENTS

4,712,680	A *	12/1987	Panazzolo	206/427	D360,362	S *	7/1995	Strong	D9/455
D294,331	S *	2/1988	Panazzolo	D9/752	D405,687	S *	2/1999	Borg	D9/752
4,823,959	A *	4/1989	Bixler	206/562	D408,277	S *	4/1999	Erickson	D9/752
D310,027	S *	8/1990	Bixler	D9/752	D412,663	S *	8/1999	Erickson	D9/752
D329,807	S *	9/1992	Heider	D9/752	D413,800	S *	9/1999	Caparros et al.	D9/752
5,188,413	A *	2/1993	Nathan	294/87.2	D502,406	S *	3/2005	Eddings	D9/752
D348,002	S *	6/1994	Jones	D3/316	D505,083	S *	5/2005	Tabeshnekoo	D9/752
D349,459	S *	8/1994	Borg	D9/455	7,588,275	B2 *	9/2009	Borg	294/87.2
D350,695	S *	9/1994	Adami et al.	D3/316	D628,348	S *	11/2010	Chao	D30/199
D354,227	S *	1/1995	Adami et al.	D9/752	7,823,943	B2 *	11/2010	Borg	294/87.2
D356,733	S *	3/1995	Adami et al.	D9/752	7,861,853	B2 *	1/2011	Borg	206/151
						D653,560	S *	2/2012	Smithers	D9/752
						2005/0167289	A1 *	8/2005	Borg	206/151
						2007/0296231	A1 *	12/2007	Borg	294/87.2

* cited by examiner

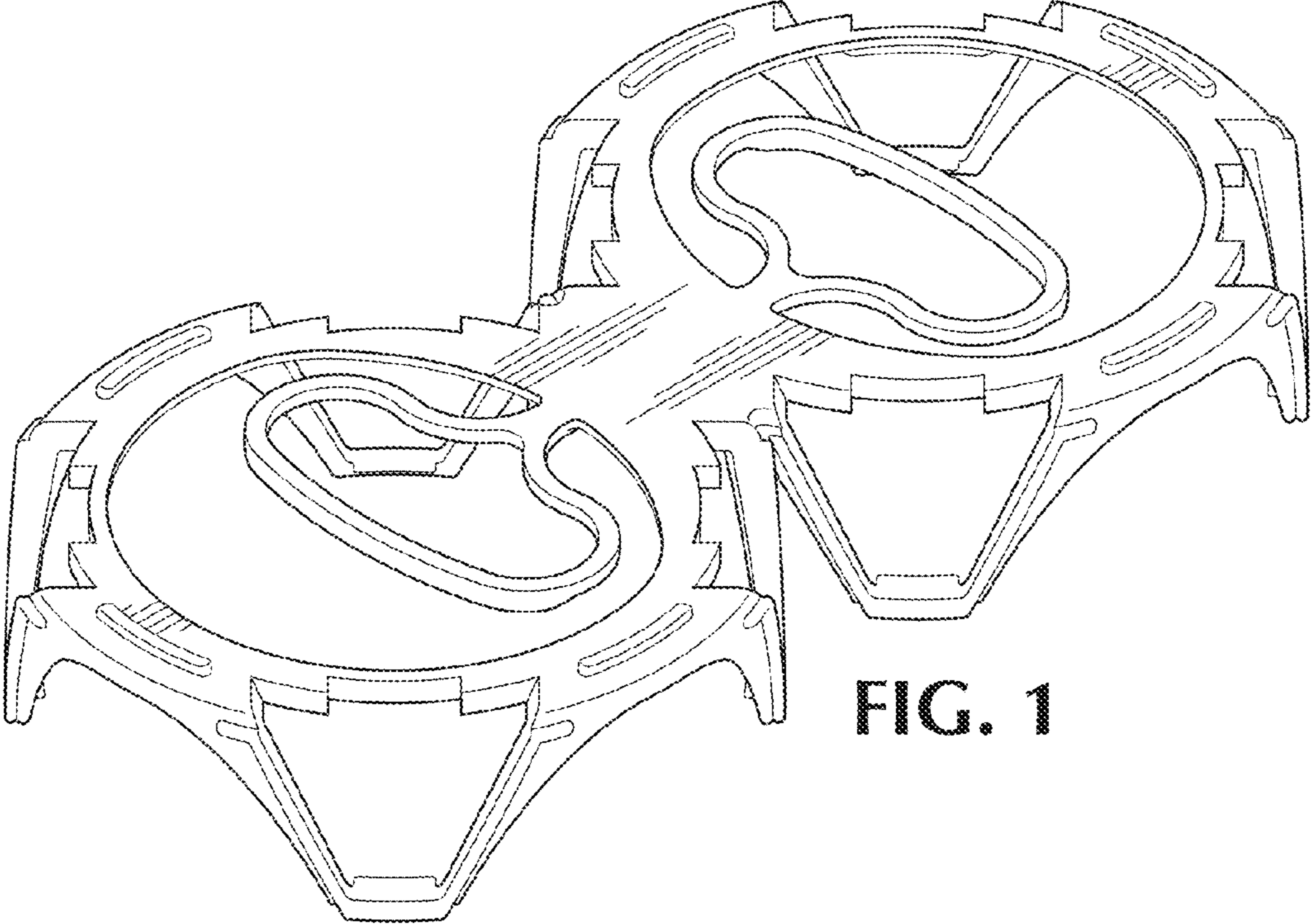


FIG. 1

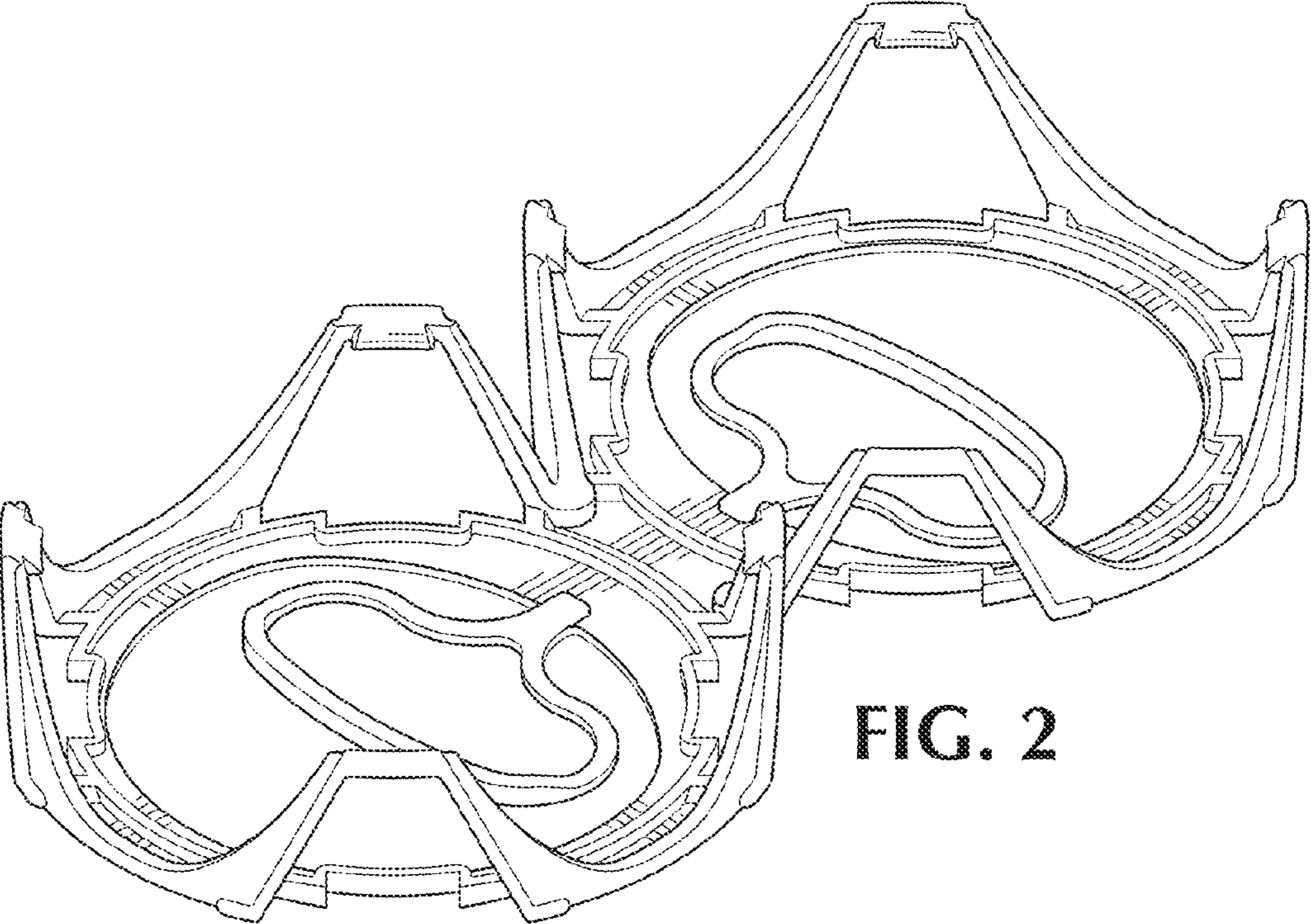


FIG. 2

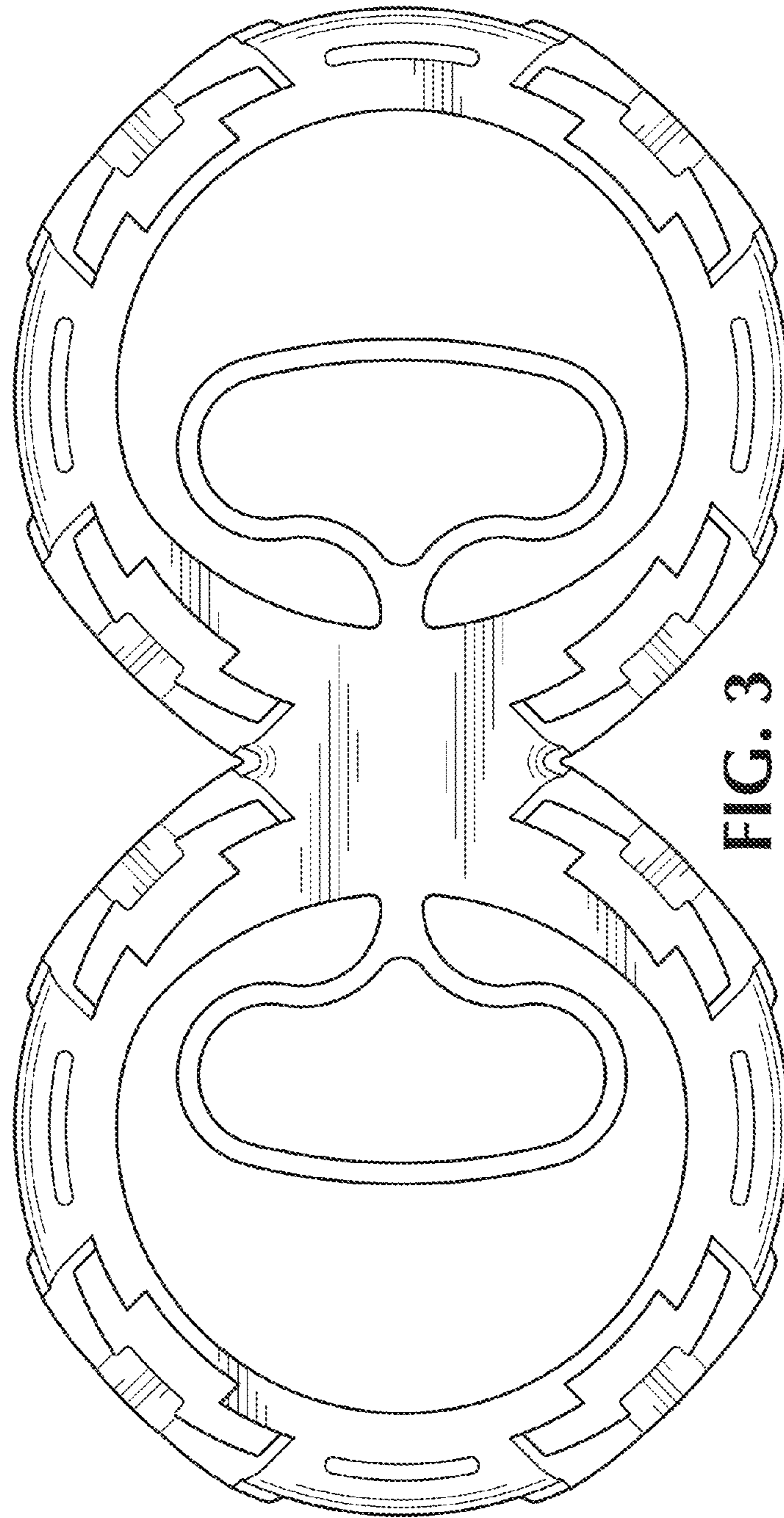


FIG. 3

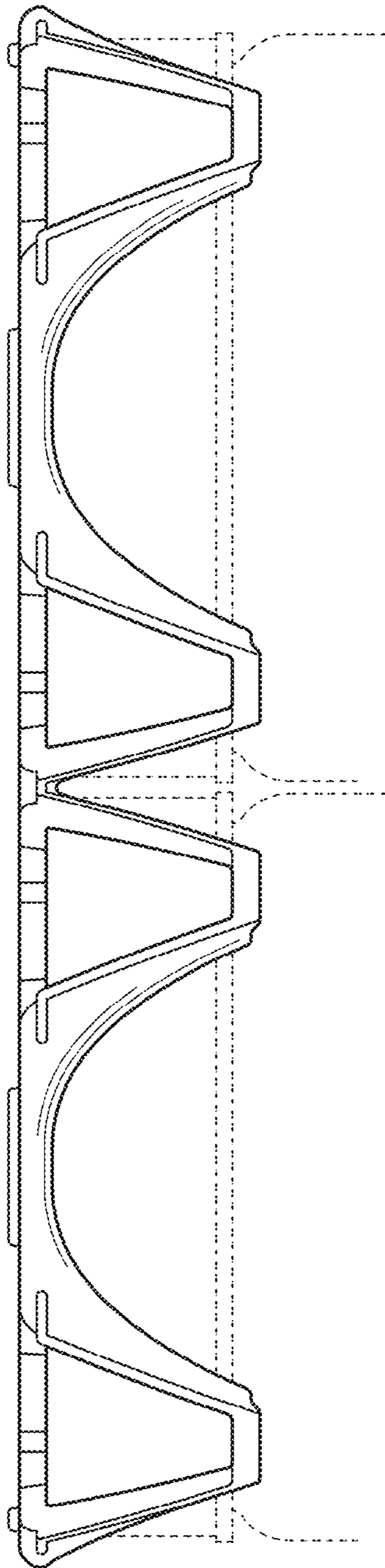


FIG. 4

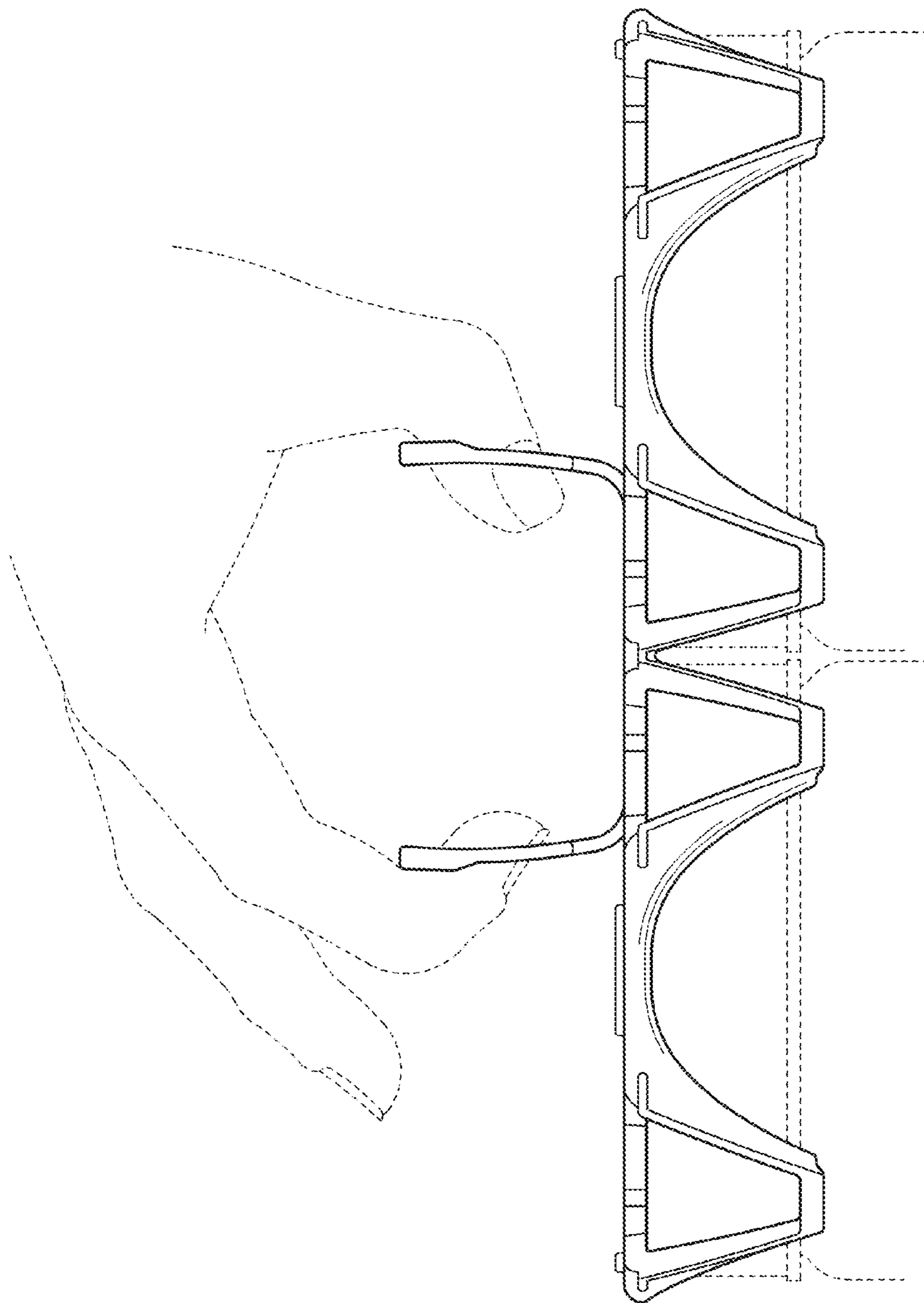
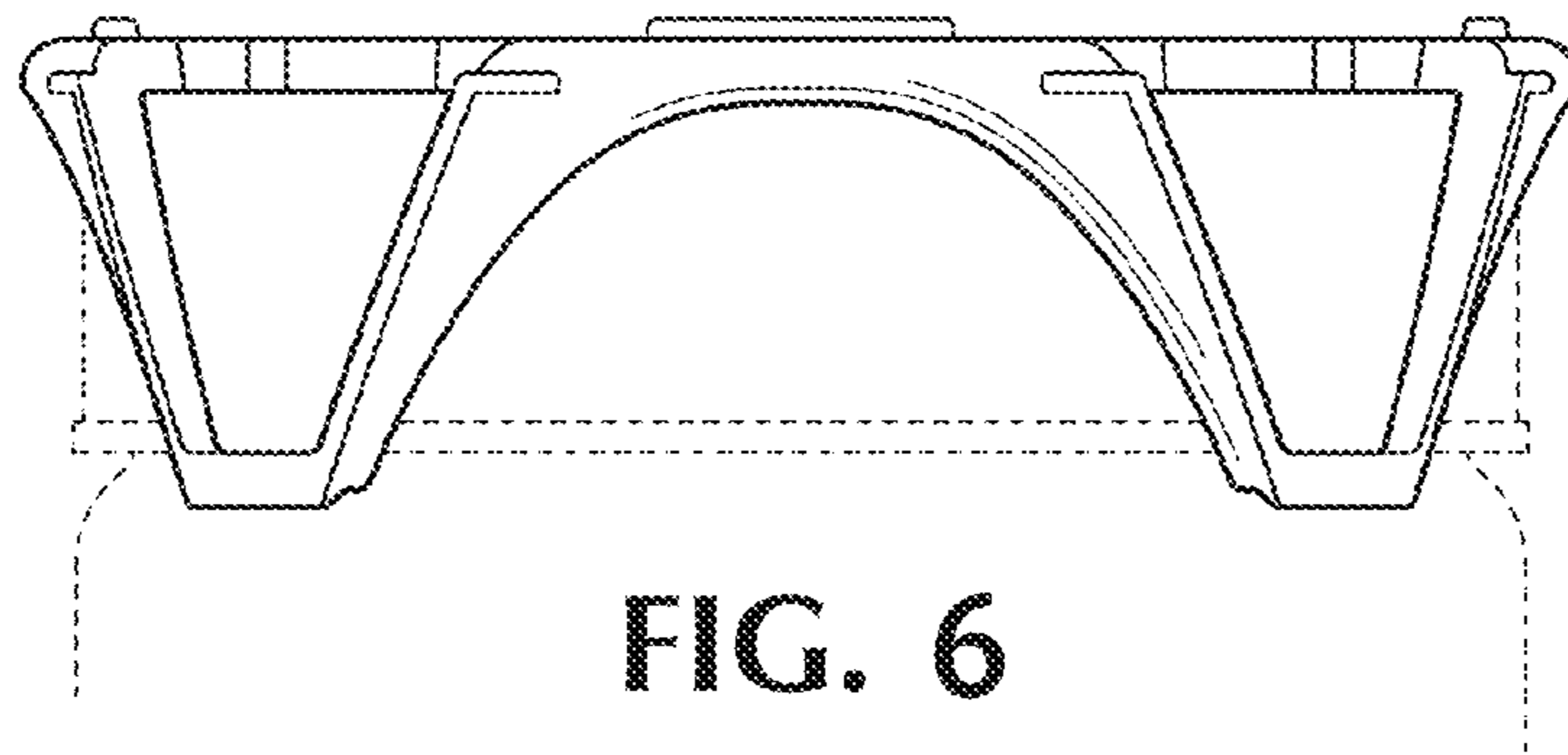


FIG. 5



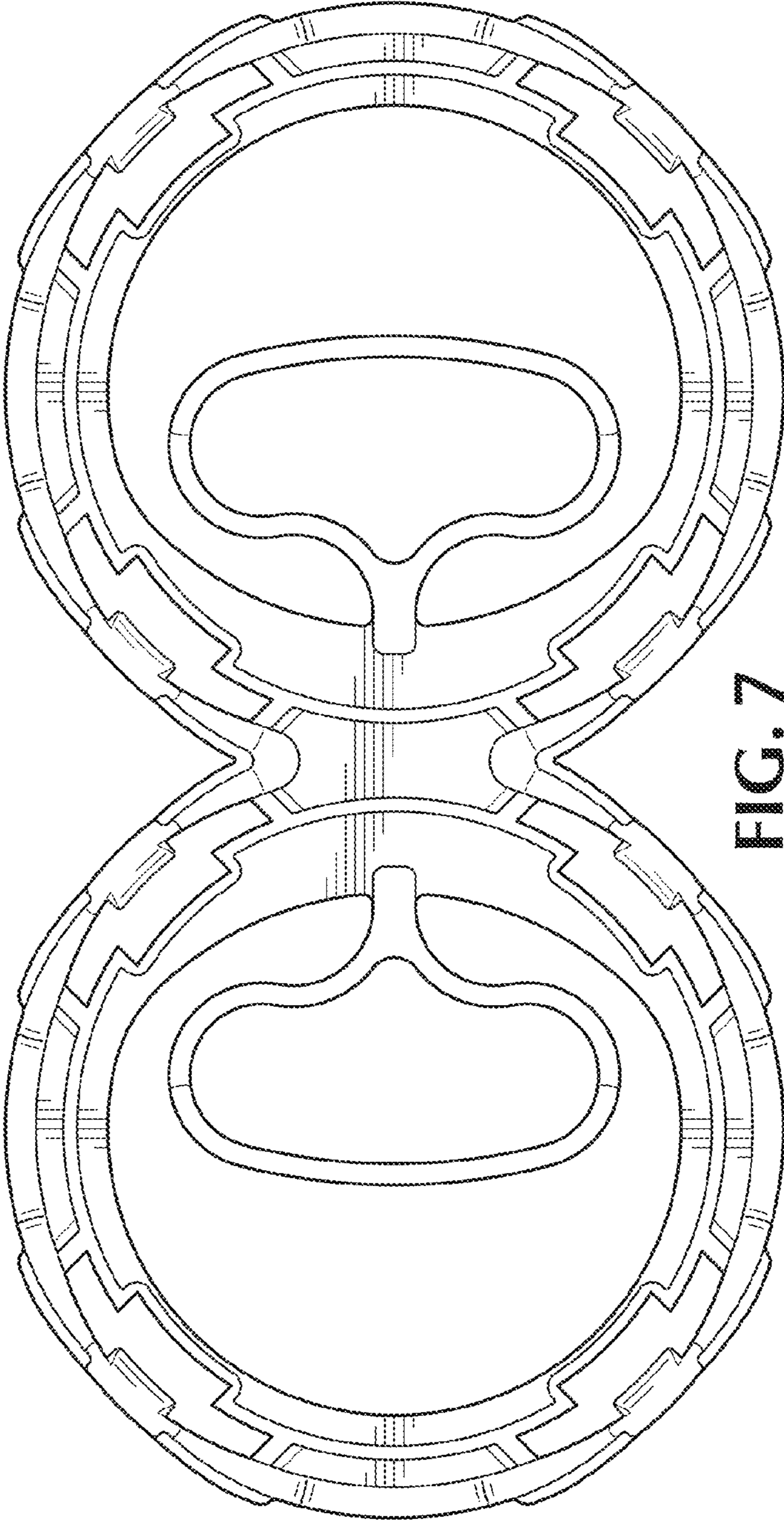


FIG. 7