



US00D705081S

(12) **United States Design Patent**
Berger et al.

(10) **Patent No.:** **US D705,081 S**

(45) **Date of Patent:** **** May 20, 2014**

(54) **WIPING SUBSTRATE DISPENSER**

(71) Applicant: **Kimberly-Clark Worldwide, Inc.**,
Neenah, WI (US)

(72) Inventors: **Maggie VanderHeiden Berger**,
Appleton, WI (US); **Jason Robert Boon**,
Appleton, WI (US); **Kevin Christopher Possell**,
Middleton, WI (US)

(73) Assignee: **Kimberly-Clark Worldwide, Inc.**,
Neenah, WI (US)

(**) Term: **14 Years**

(21) Appl. No.: **29/446,241**

(22) Filed: **Feb. 21, 2013**

(51) **LOC (10) Cl.** **09-01**

(52) **U.S. Cl.**
USPC **D9/734**

(58) **Field of Classification Search**
USPC D9/734, 414, 416, 420, 423, 424, 425,
D9/428, 432, 494, 501, 503, 529, 537, 564,
D9/730; D7/507, 511, 538, 584, 586, 587,
D7/589, 591, 597, 601, 602; D3/202;
206/225, 233, 389, 391, 440, 441, 438,
206/486, 489, 494, 499, 581, 804;
D6/515-523; 221/26, 33, 45, 63;
D28/73, 76, 82, 83; 220/315, 659, 675,
220/662, 660

See application file for complete search history.

(56) **References Cited**

U.S. PATENT DOCUMENTS

D320,160 S * 9/1991 Brown D9/416
6,006,937 A 12/1999 Baravaglio et al.
D421,901 S * 3/2000 Hill D9/423
6,047,710 A 4/2000 Irving et al.
6,269,969 B1 * 8/2001 Huang et al. 220/835

D478,513 S 8/2003 Canamasas
D480,307 S 10/2003 Canamasas
6,729,498 B2 * 5/2004 Yelton et al. 221/63
D493,721 S 8/2004 Puigbo
D495,545 S * 9/2004 Niehues D6/518
D499,648 S 12/2004 Lewis et al.
D530,208 S 10/2006 Danne et al.
7,322,478 B2 1/2008 Goto et al.
D561,943 S 2/2008 Desdoigts
D588,916 S 3/2009 DeMarco
D588,925 S 3/2009 DeMarco
7,537,137 B2 5/2009 Giraud
D601,022 S 9/2009 Zamberlan et al.
D621,261 S 8/2010 DeMarco
D621,708 S 8/2010 Thomas et al.

(Continued)

FOREIGN PATENT DOCUMENTS

DE 10 2005 016 862 A1 11/2005
EP 0 544 557 B1 10/1997

(Continued)

Primary Examiner — Derrick Holland

Assistant Examiner — Lauren Calve

(74) *Attorney, Agent, or Firm* — Kimberly-Clark
Worldwide, Inc.

(57) **CLAIM**

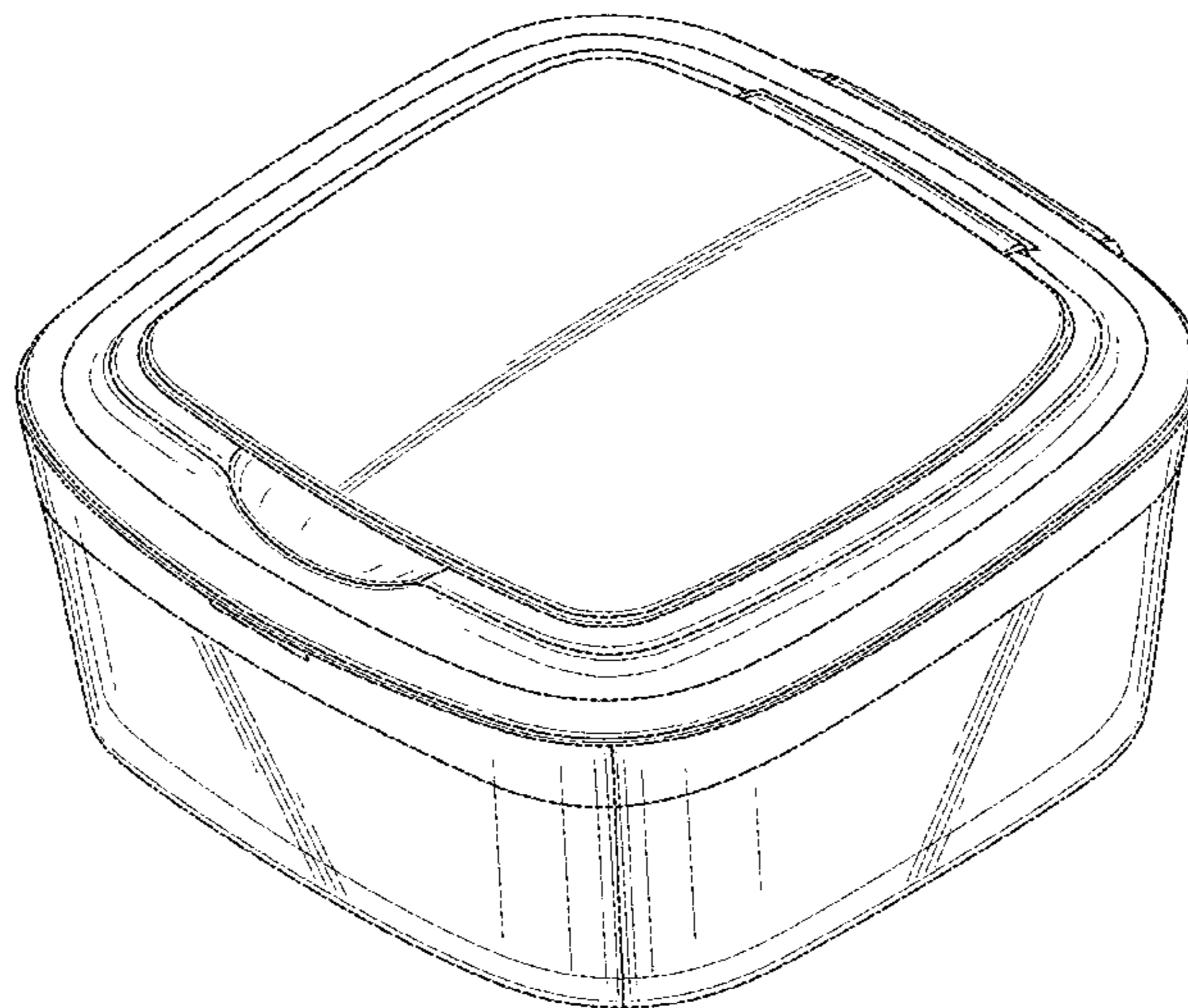
We claim the ornamental design for a wiping substrate dispenser, as shown and described.

DESCRIPTION

FIG. 1 is a perspective view of a wiping substrate dispenser; FIG. 2 is a side elevation view thereof; FIG. 3 is a side elevation view thereof; FIG. 4 is a front plan view thereof; and FIG. 5 is a back plan view thereof; and, FIG. 6 is a top plan view thereof.

The broken lines shown in FIG. 5 represent unclaimed subject matter and form no part of the claimed design.

1 Claim, 8 Drawing Sheets



(56)

References Cited

U.S. PATENT DOCUMENTS

D624,419 S 9/2010 Tivelli et al.
D630,097 S 1/2011 Brochado et al.
D630,939 S * 1/2011 Peters et al. D9/420
D634,202 S 3/2011 Zamberlan et al.
D634,203 S 3/2011 Mongeon et al.
D645,750 S 9/2011 Lee
D659,004 S 5/2012 McCoy
D659,005 S 5/2012 McCoy
8,381,909 B2 * 2/2013 Hernandez et al. 206/503
8,403,167 B2 * 3/2013 Damaghi et al. 220/254.3

2003/0006253 A1* 1/2003 Yelton et al. 222/494
2006/0186019 A1 8/2006 Lu
2008/0230436 A1 9/2008 Martins et al.
2010/0176131 A1 7/2010 Lopez et al.

FOREIGN PATENT DOCUMENTS

EP 2 030 907 B1 5/2010
EP 2 392 224 A1 12/2011
EP 2 397 047 A1 12/2011
FR 2 796 044 A1 1/2001
WO WO 03/056974 A2 7/2003

* cited by examiner

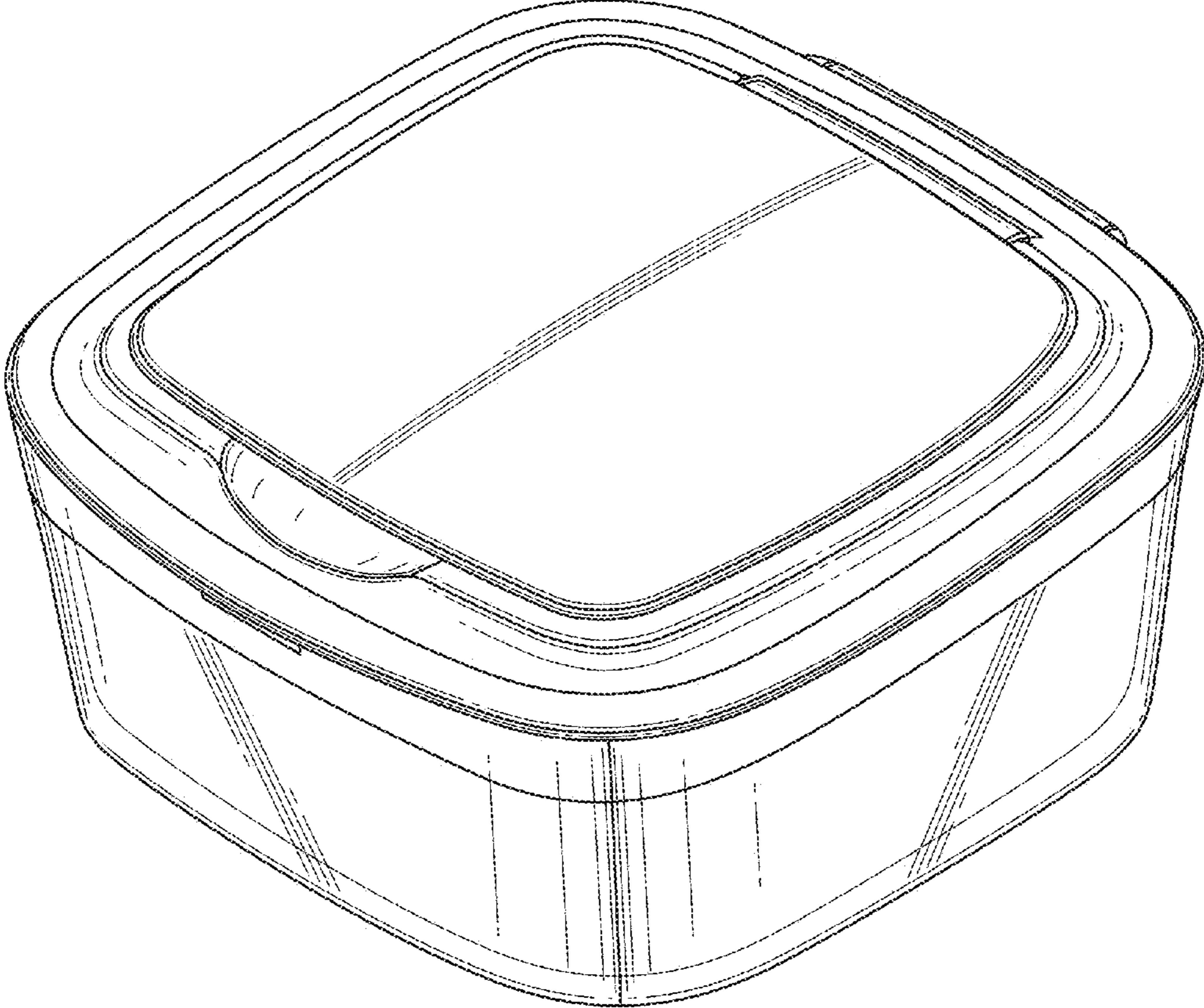


FIG. 1

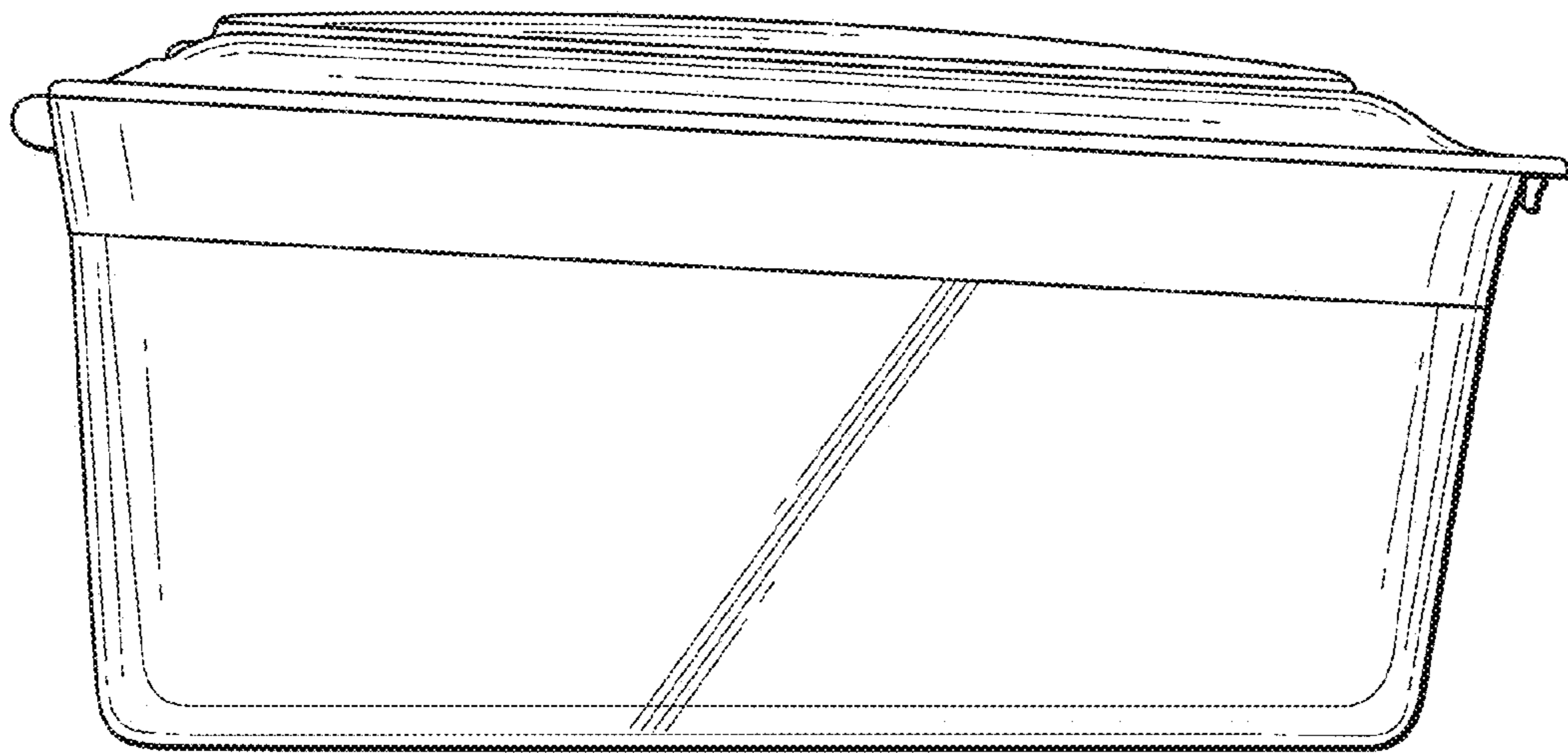


FIG. 2

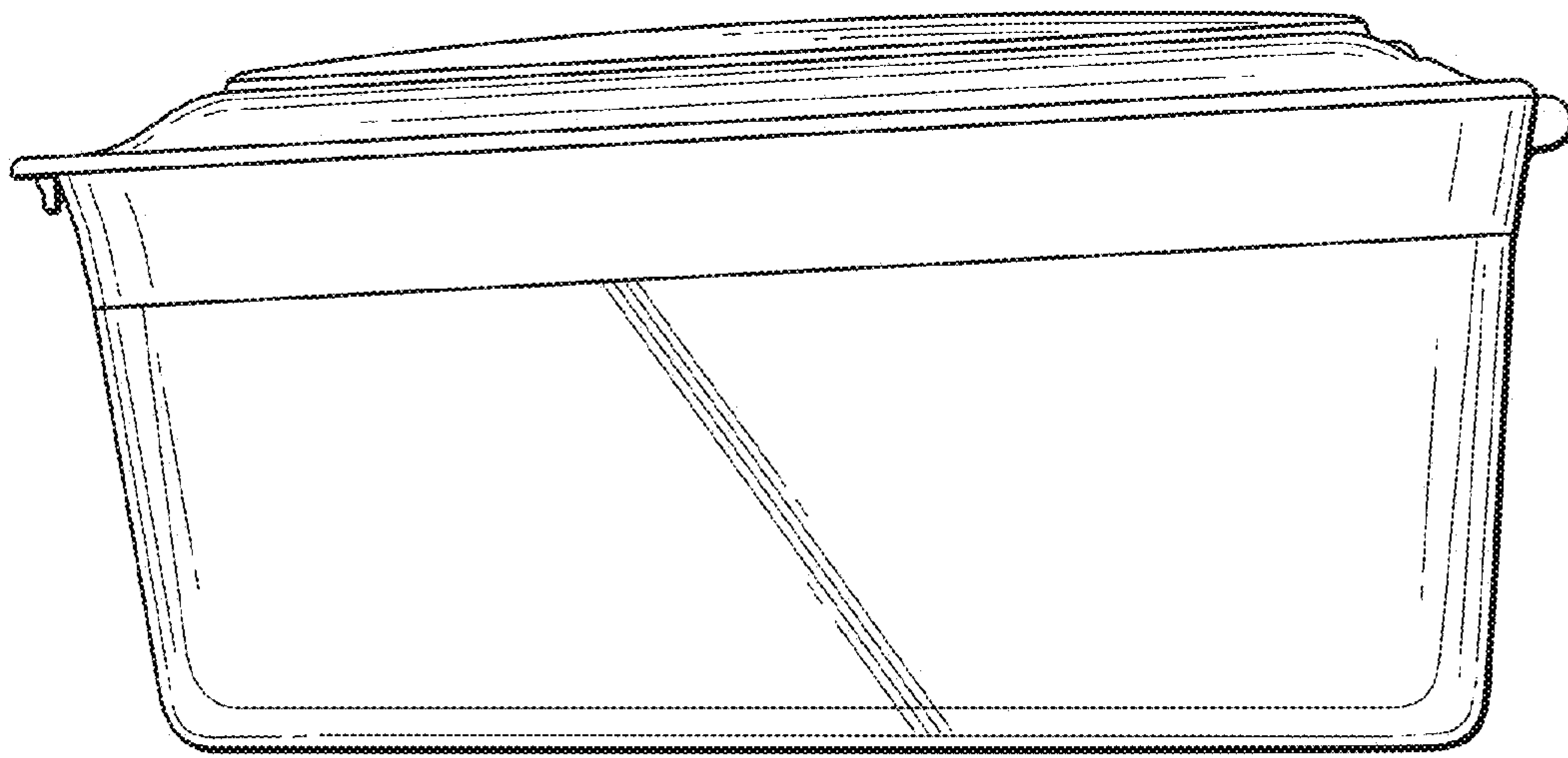


FIG. 3

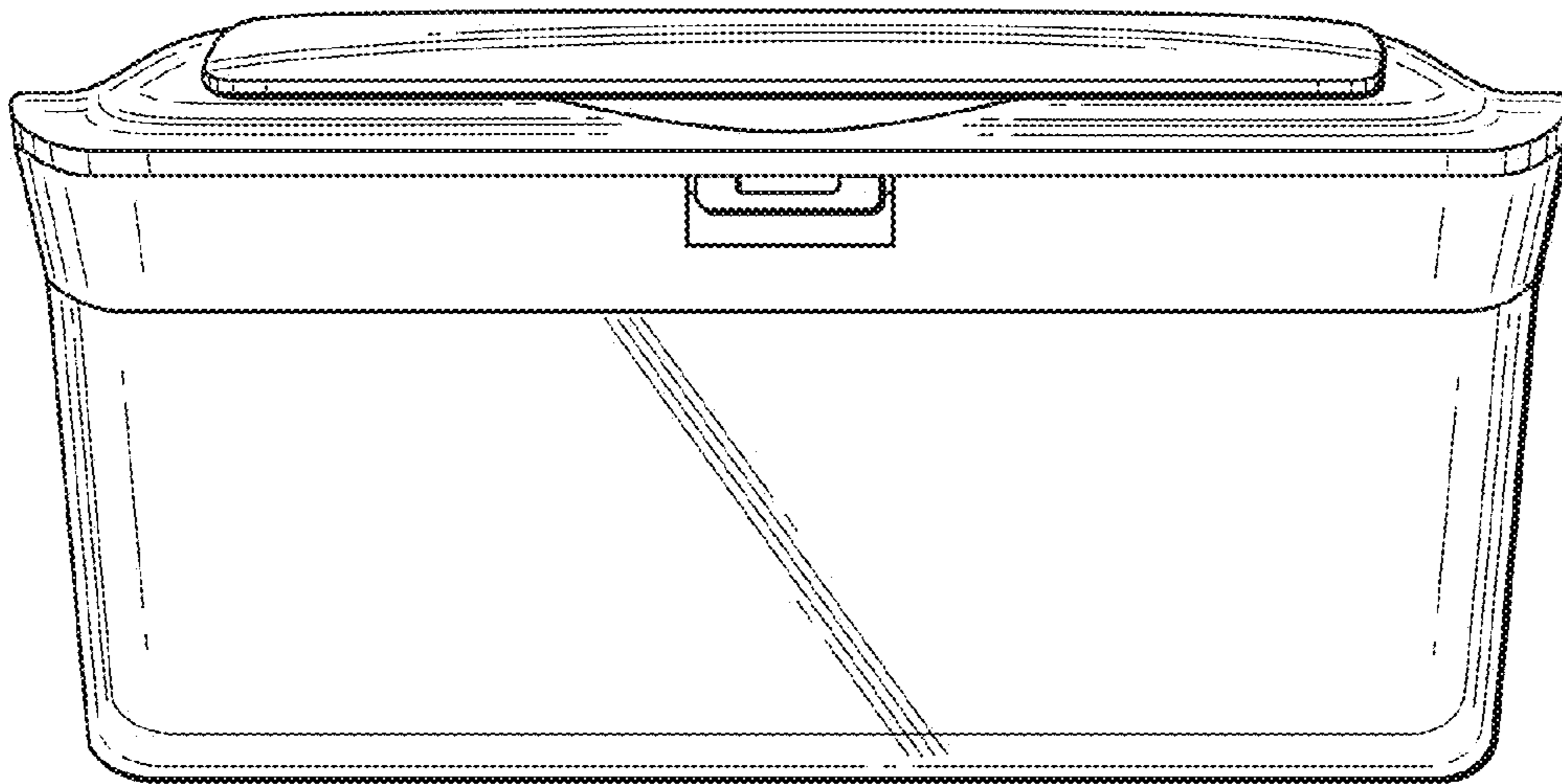


FIG. 4

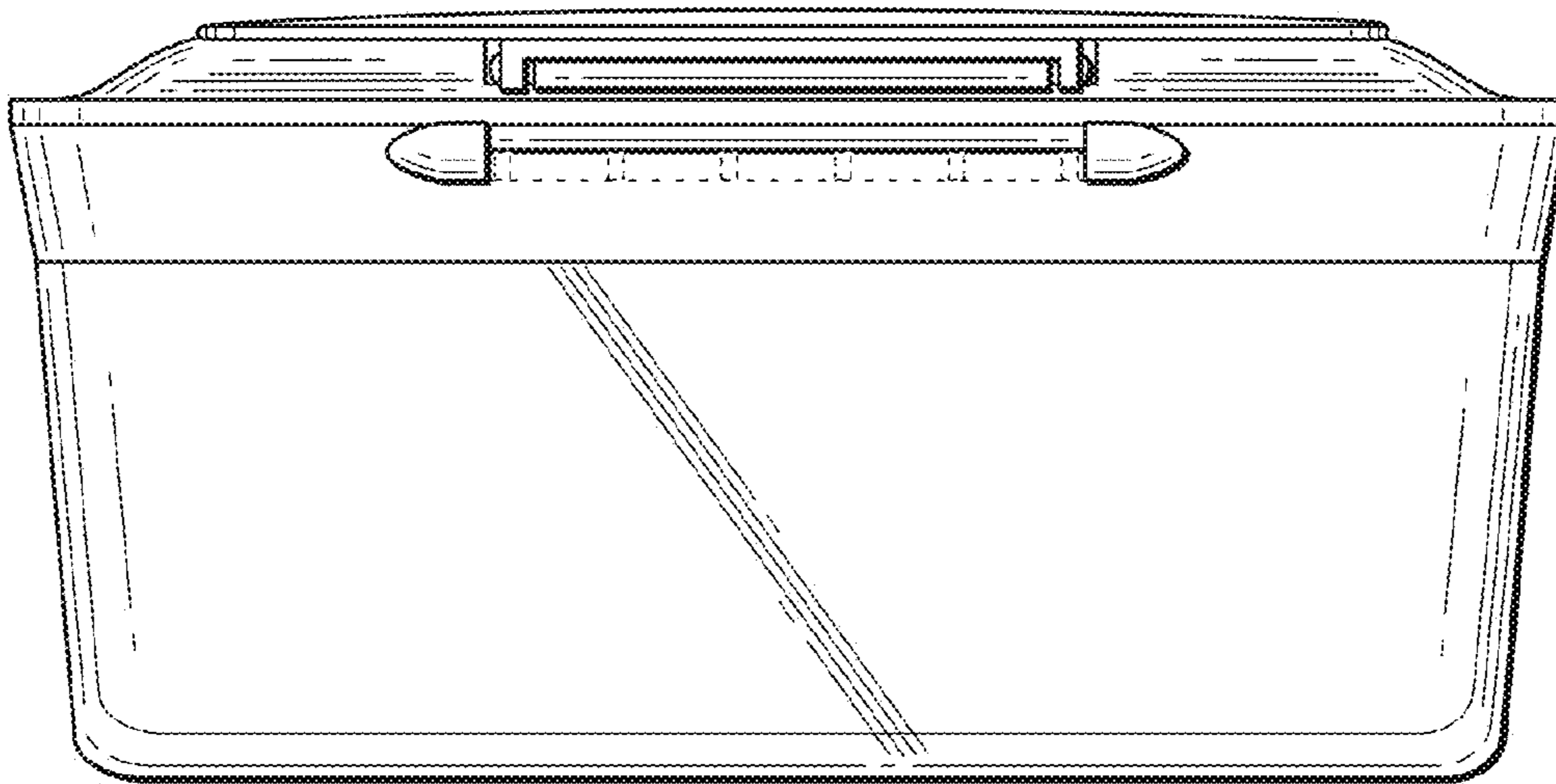


FIG. 5

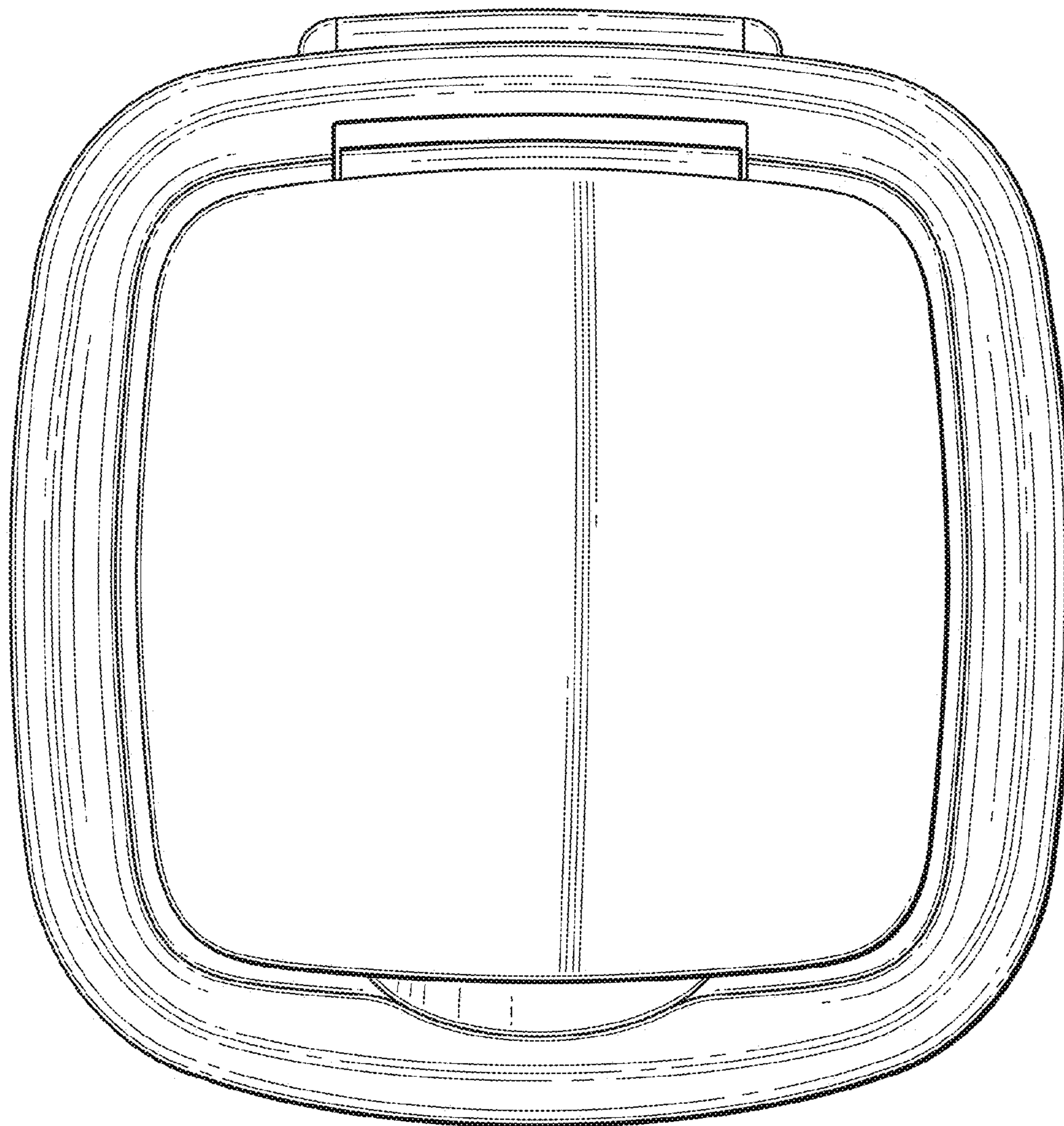


FIG. 6

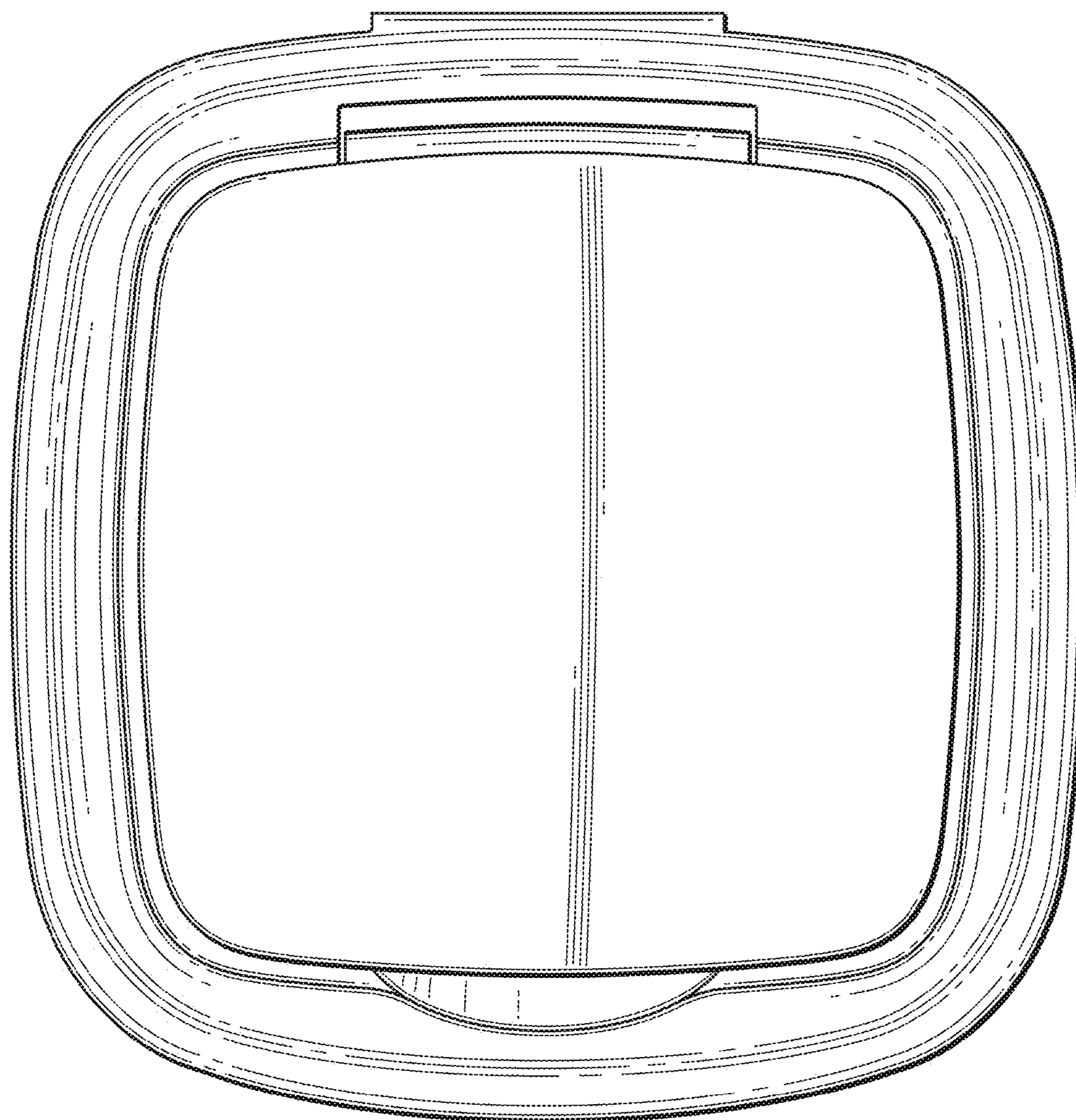


FIG. 7

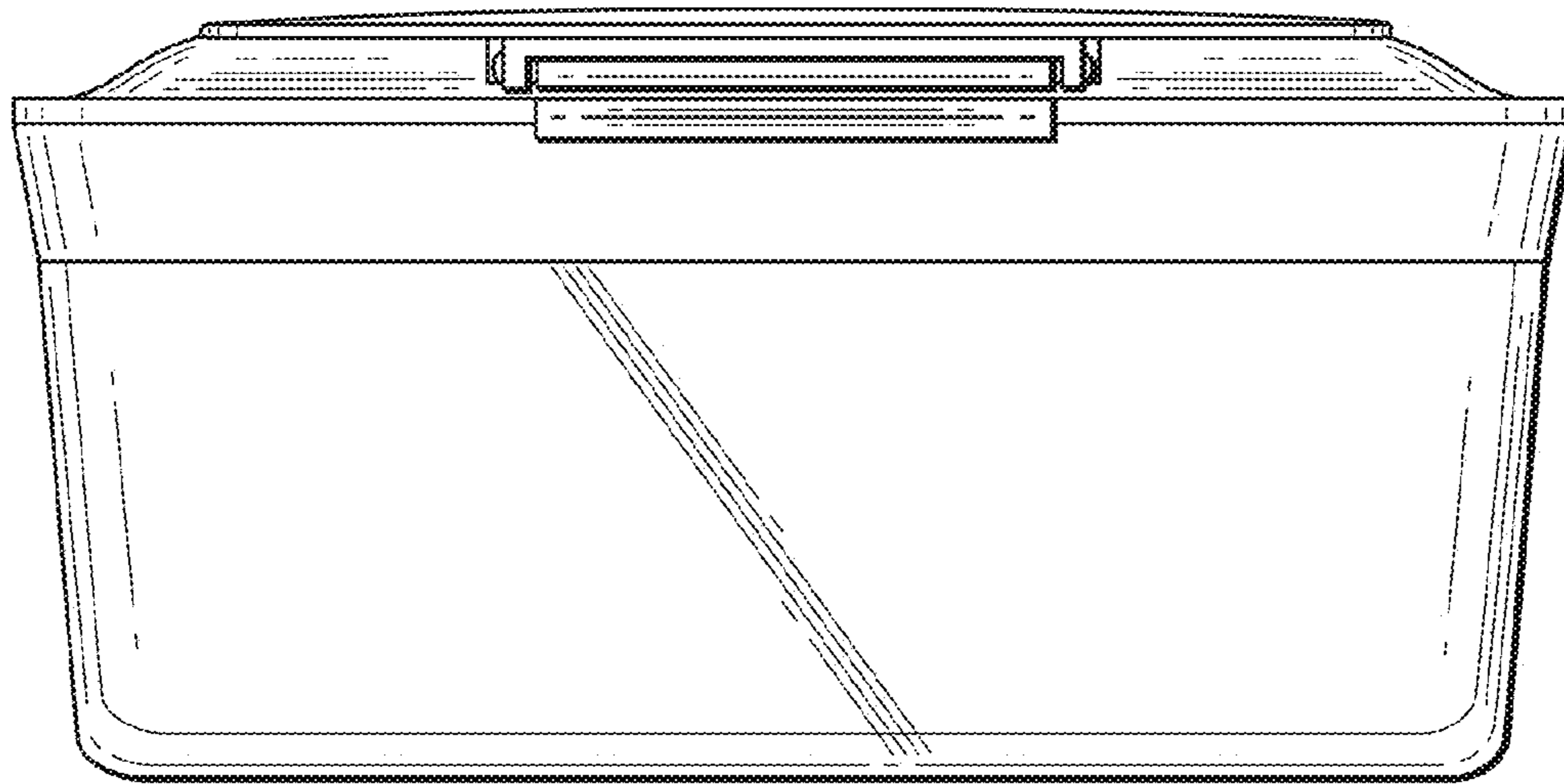


FIG. 8