



US00D705079S

(12) **United States Design Patent**
Sanchez-Calatrava et al.

(10) **Patent No.:** **US D705,079 S**

(45) **Date of Patent:** **** May 20, 2014**

(54) **PACKAGING**

(71) Applicant: **Conopco, Inc.**, Englewood Cliffs, NJ
(US)
(72) Inventors: **Ines Sanchez-Calatrava**, London (GB);
David Eugene Salmon, London (GB)
(73) Assignee: **Conopco, Inc.**, Englewood Cliffs, NJ
(US)

(**) Term: **14 Years**

(21) Appl. No.: **29/436,134**

(22) Filed: **Nov. 1, 2012**

(30) **Foreign Application Priority Data**

May 9, 2012 (EM) 002039065-0001
May 9, 2012 (EM) 002039065-0002

(51) **LOC (10) Cl.** **09-05**

(52) **U.S. Cl.**
USPC **D9/708**

(58) **Field of Classification Search**

USPC D9/702-714, 695-699, 435, 440, 521,
D9/454, 544, 723-724, 499, 449, 727-728,
D9/442, 447, 504, 535, 542, 549, 558, 571,
D9/529, 516, 519, 527; 222/92, 96, 107,
222/527-529, 215, 491, 206, 212-213,
222/251; 206/438, 822; 220/DIG. 7, 660,
220/666, 670, 674, 675, 669; 215/321, 381,
215/382, 316; 141/114-115

See application file for complete search history.

(56) **References Cited**

U.S. PATENT DOCUMENTS

D341,315 S * 11/1993 Seymour D9/529
D432,408 S * 10/2000 Crawford D9/727

D438,118 S * 2/2001 Dalmau D9/520
D442,866 S * 5/2001 Mooney et al. D9/520
D443,517 S * 6/2001 Fenton et al. D9/521
D455,648 S * 4/2002 Cummings D9/729
D458,847 S * 6/2002 Kuzma et al. D9/521
D466,411 S * 12/2002 Cummings D9/729
D584,159 S * 1/2009 Domoy et al. D9/558
D649,058 S * 11/2011 Kuzma et al. D9/541

OTHER PUBLICATIONS

CVP, Pet Food Containers, CVP, Jun. 14, 2010, 1, *, FR.
Dormex, New P.E.T. Tottles & Ovals, Dormex, <http://www.dormex.co.uk/newpet-bottle.shtml>, Jan. 1, 2004, 1-4, *, GB.

* cited by examiner

Primary Examiner — Caron D Veynar

Assistant Examiner — Abraham Bahta

(74) *Attorney, Agent, or Firm* — Ellen Plotkin

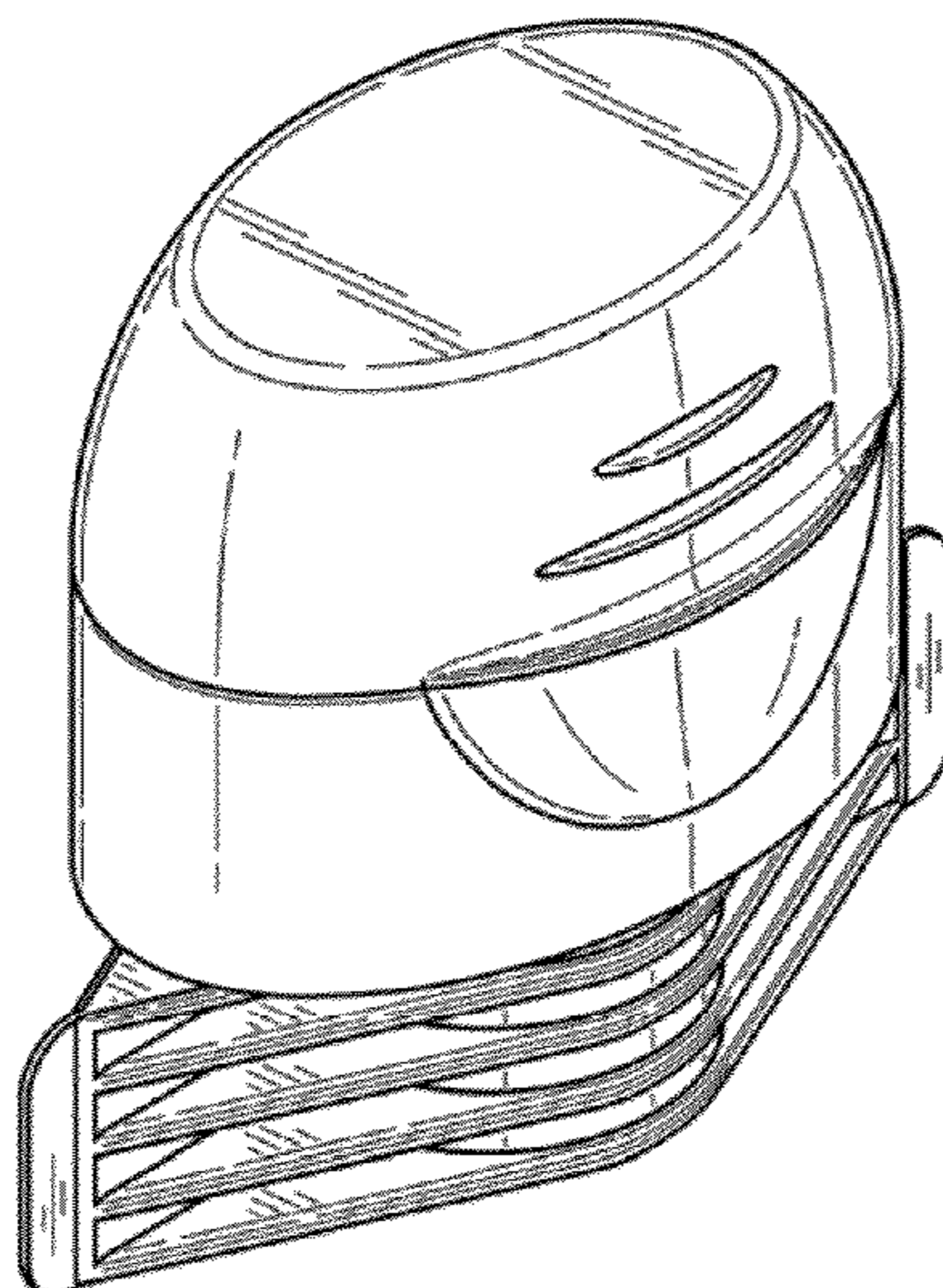
(57) **CLAIM**

The ornamental design for packaging, as shown and described.

DESCRIPTION

FIG. 1 is a perspective view of the front and side plan of the packaging design with a closed cap thereof;
FIG. 2 is a front view thereof;
FIG. 3 is a back view thereof;
FIG. 4 is a left side plan view thereof;
FIG. 5 is a right side plan view thereof;
FIG. 6 is a top plan view with closed cap thereof;
FIG. 7 is a bottom plan view with closed cap thereof; and,
FIG. 8 is a perspective view of the front and side plan of the packaging design with an open cap thereof.

1 Claim, 4 Drawing Sheets



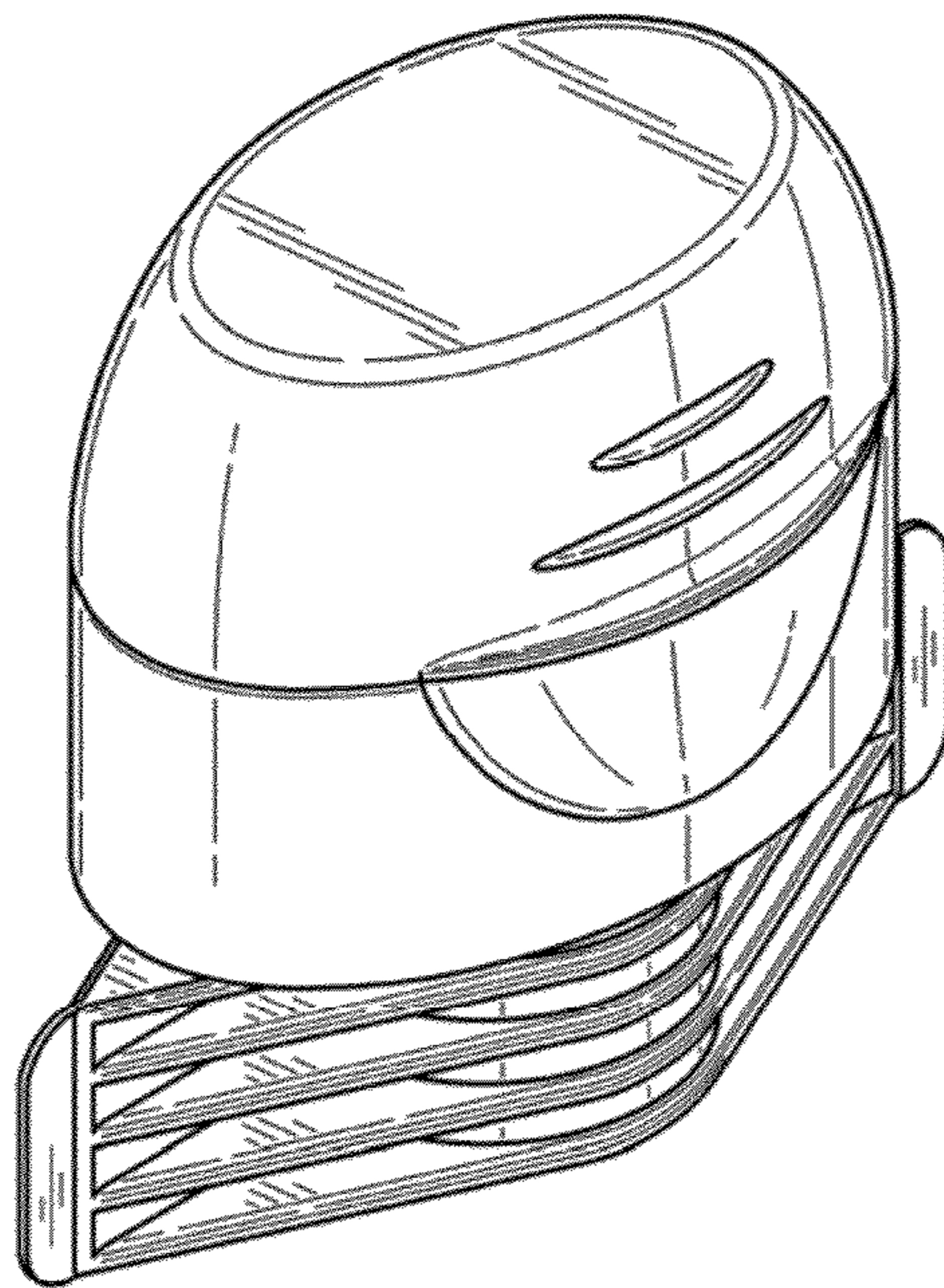


Fig. 1

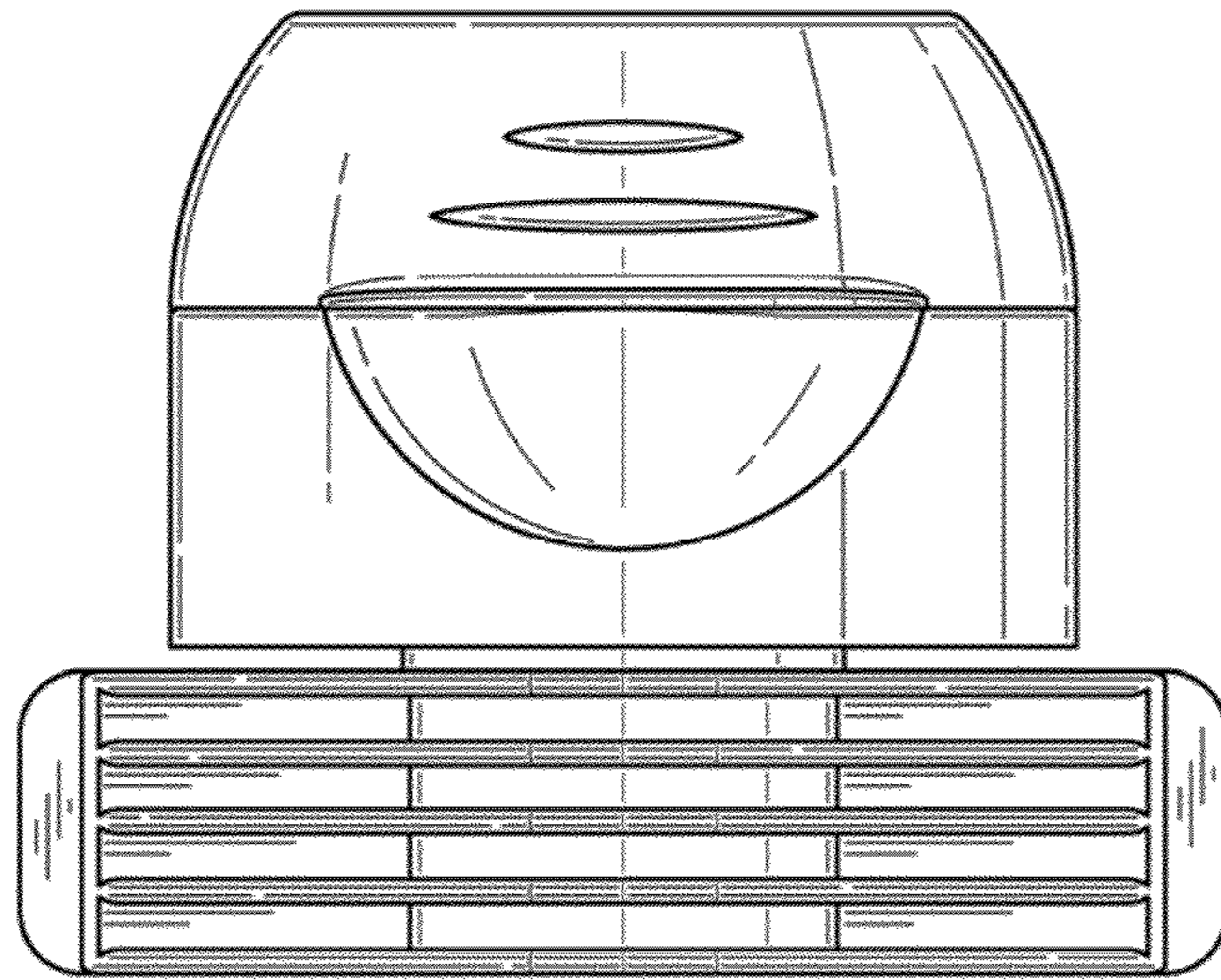


Fig. 2

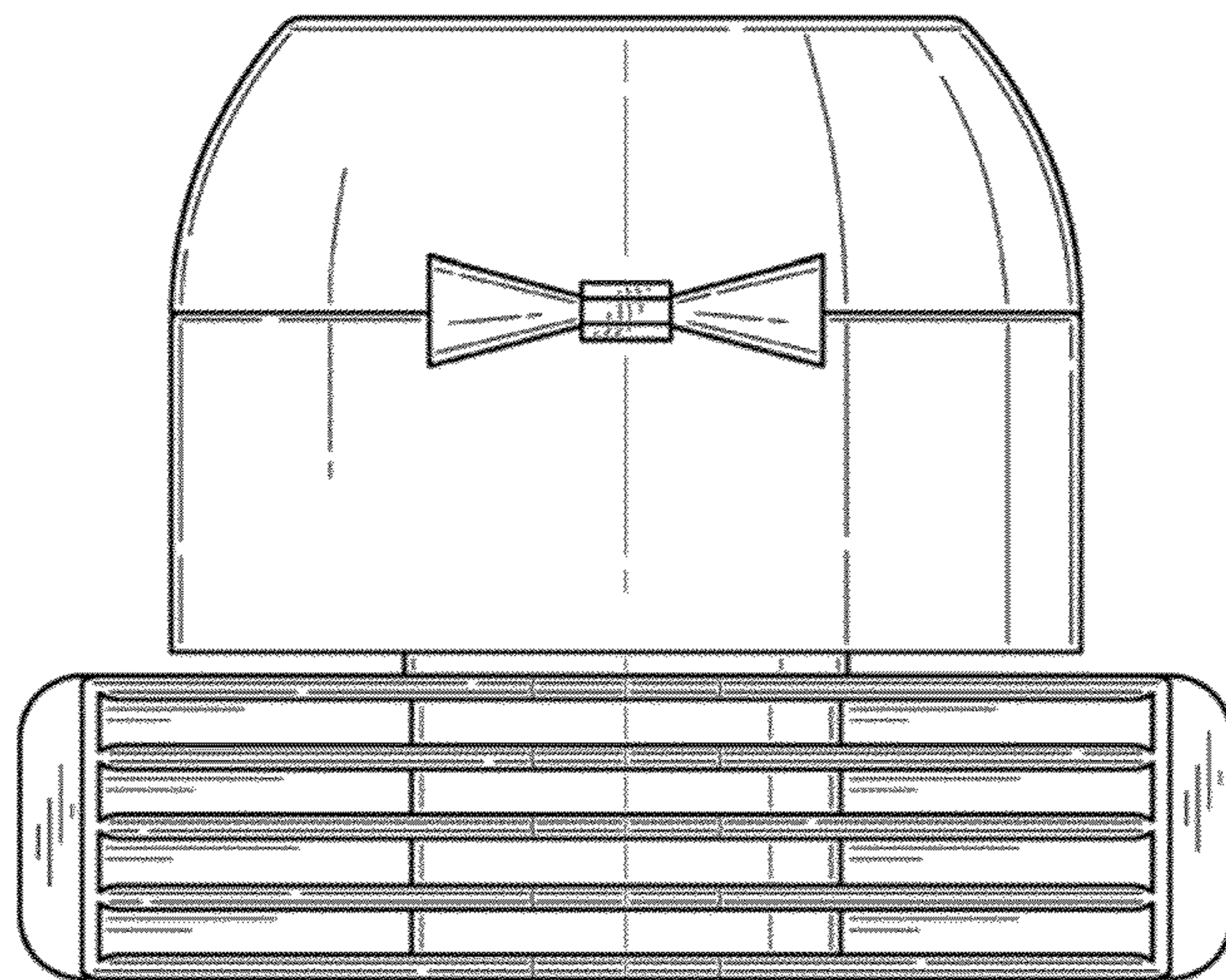


Fig. 3

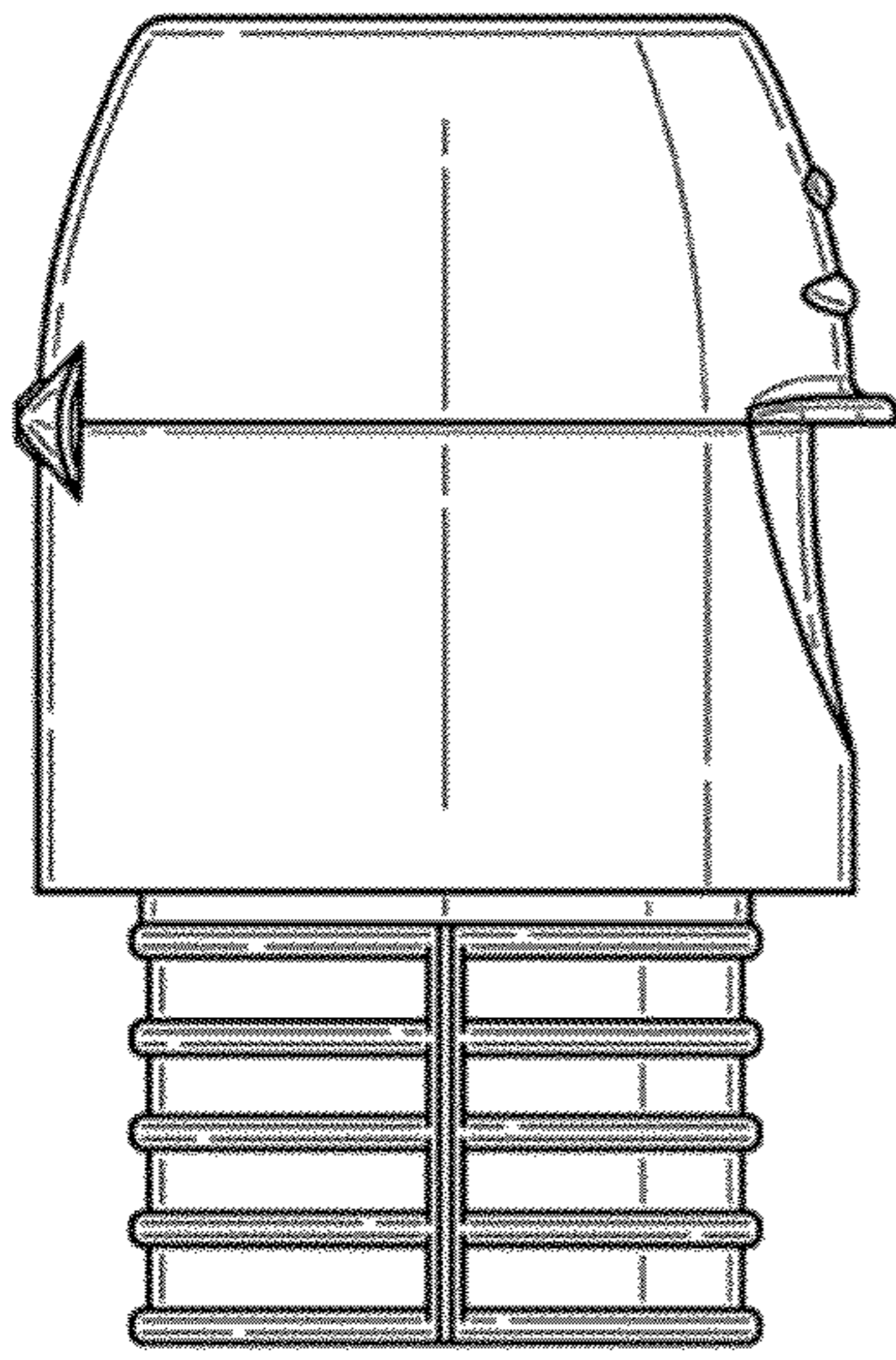


Fig. 4

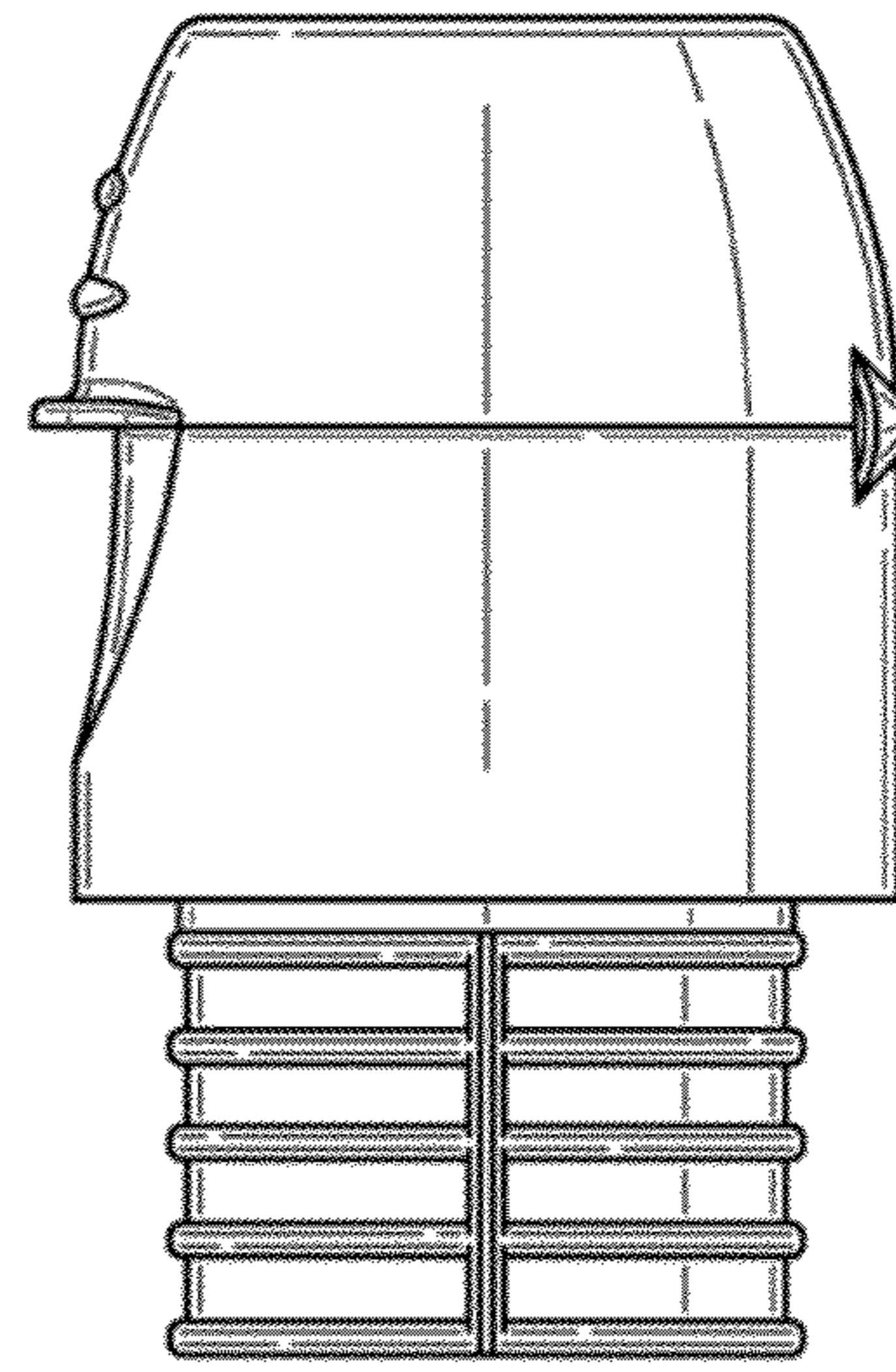


Fig. 5

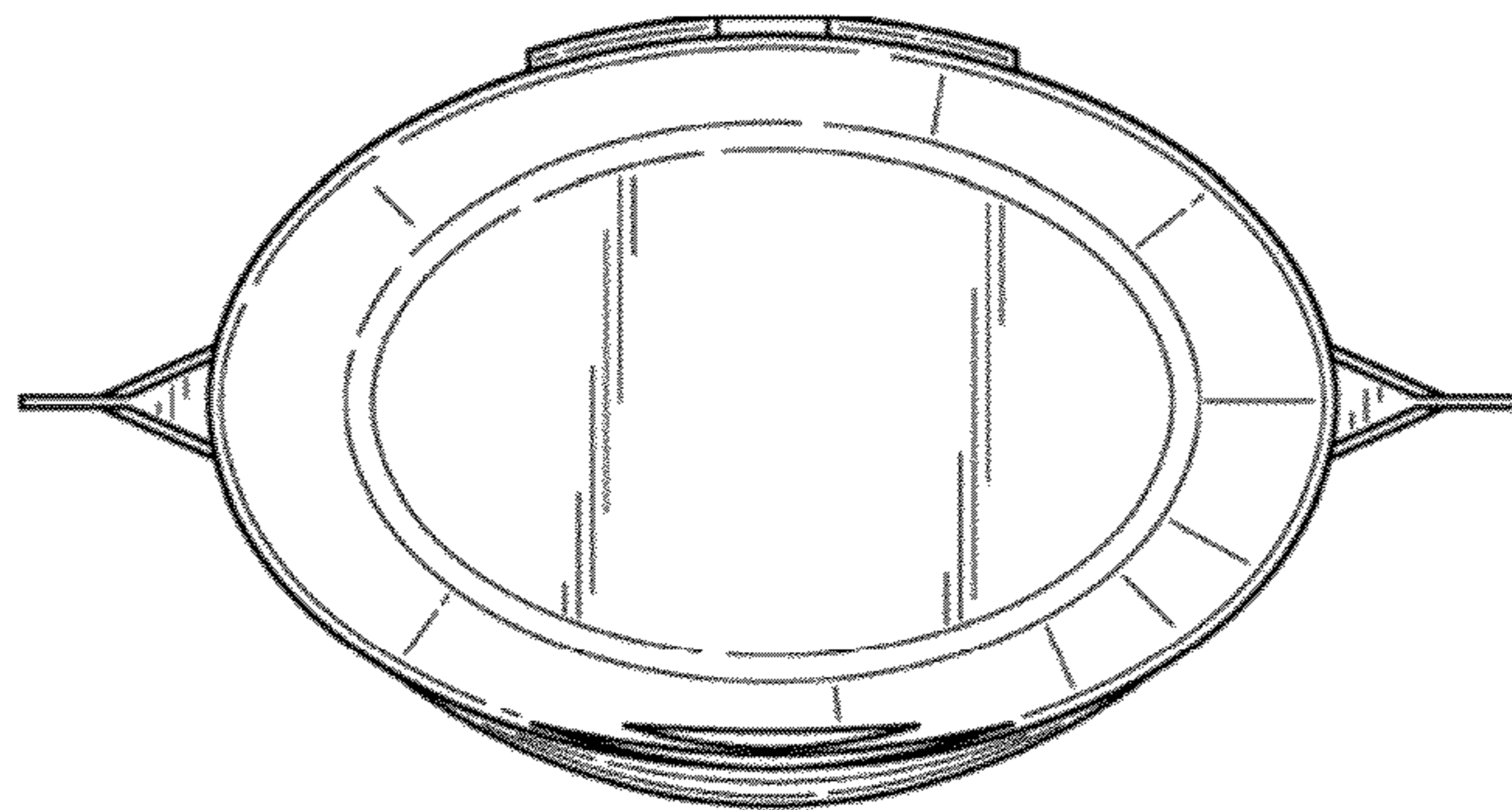


Fig. 6

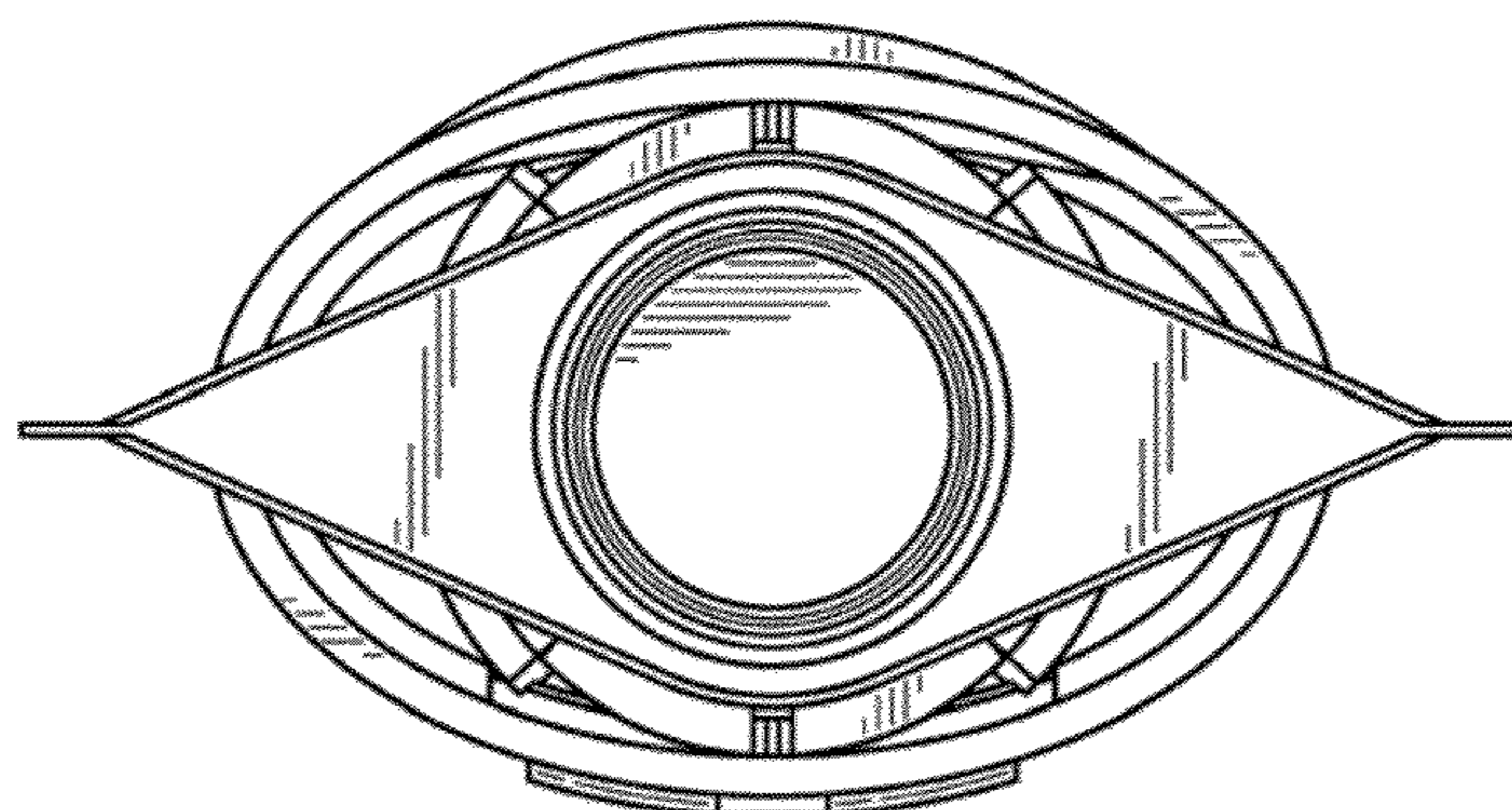


Fig. 7

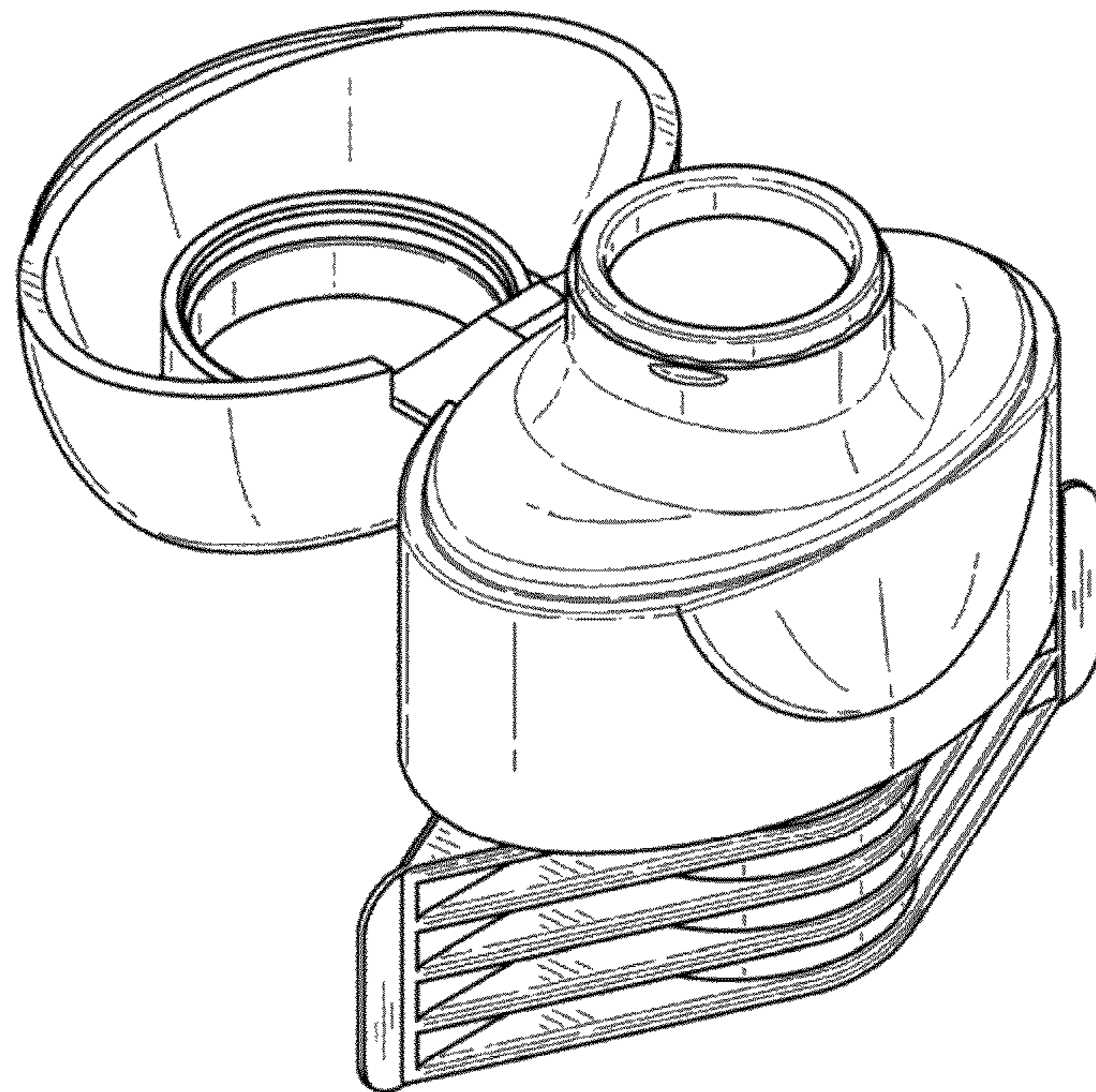


Fig. 8