



US00D705078S

(12) **United States Design Patent**
Laib et al.

(10) **Patent No.:** **US D705,078 S**
(45) **Date of Patent:** **** May 20, 2014**

(54) **CONTAINER**

(71) Applicant: **Owens-Brockway Glass Container Inc.**, Perrysburg, OH (US)

(72) Inventors: **Douglas Laib**, Perrysburg, OH (US);
Donald P. Delagrange, Lambertville, MI (US);
Raul M. Paredes, Perrysburg, OH (US);
Sara Maloney, Batavia, OH (US)

(73) Assignee: **Owens-Brockway Glass Container Inc.**, Perrysburg, OH (US)

(**) Term: **14 Years**

(21) Appl. No.: **29/473,493**

(22) Filed: **Nov. 22, 2013**

Related U.S. Application Data

(62) Division of application No. 29/432,645, filed on Sep. 18, 2012.

(51) **LOC (10) Cl.** **09-01**

(52) **U.S. Cl.**
USPC **D9/668; D9/500**

(58) **Field of Classification Search**
USPC D9/600, 652, 667-668, 500-504, 516,
D9/529, 537-543, 549-558; 215/400;
229/116.1; D7/514-518, 619.2, 623,
D7/628

See application file for complete search history.

(56) **References Cited**

U.S. PATENT DOCUMENTS

D202,131 S	8/1965	Earl
D218,288 S	8/1970	Smith
D226,371 S	2/1973	Cooper
D230,956 S	3/1974	Bystedt
D242,971 S	1/1977	Schlichter

D271,663 S	12/1983	Stark et al.
D288,362 S	2/1987	Simmons
D371,934 S	7/1996	Cwirko
D389,734 S	1/1998	Schultz et al.
D391,155 S	2/1998	Edson et al.
D399,419 S	10/1998	Edson
D399,753 S	10/1998	Ramsey
D402,198 S	12/1998	Schultz et al.

(Continued)

Primary Examiner — Sandra Morris

(57) **CLAIM**

We claim an ornamental design for a container, as shown and described.

DESCRIPTION

FIG. 1 is a perspective view of the container in accordance with a first embodiment of our new design.

FIG. 2 is a front elevational view of the container in FIG. 1.

FIG. 3 is a side elevational view taken from the right in FIG. 2.

FIG. 4 is a side elevational view taken from the left in FIG. 2.

FIG. 5 is a rear elevational view of the container in FIGS. 1-4.

FIG. 6 is a top plan view of the container in FIGS. 1-5, the container bottom forming no part of the claimed design.

FIG. 7 is a perspective view of the container in accordance with a second embodiment of our new design.

FIG. 8 is a front elevational view of the container in FIG. 7.

FIG. 9 is a side elevational view taken from the right in FIG. 8.

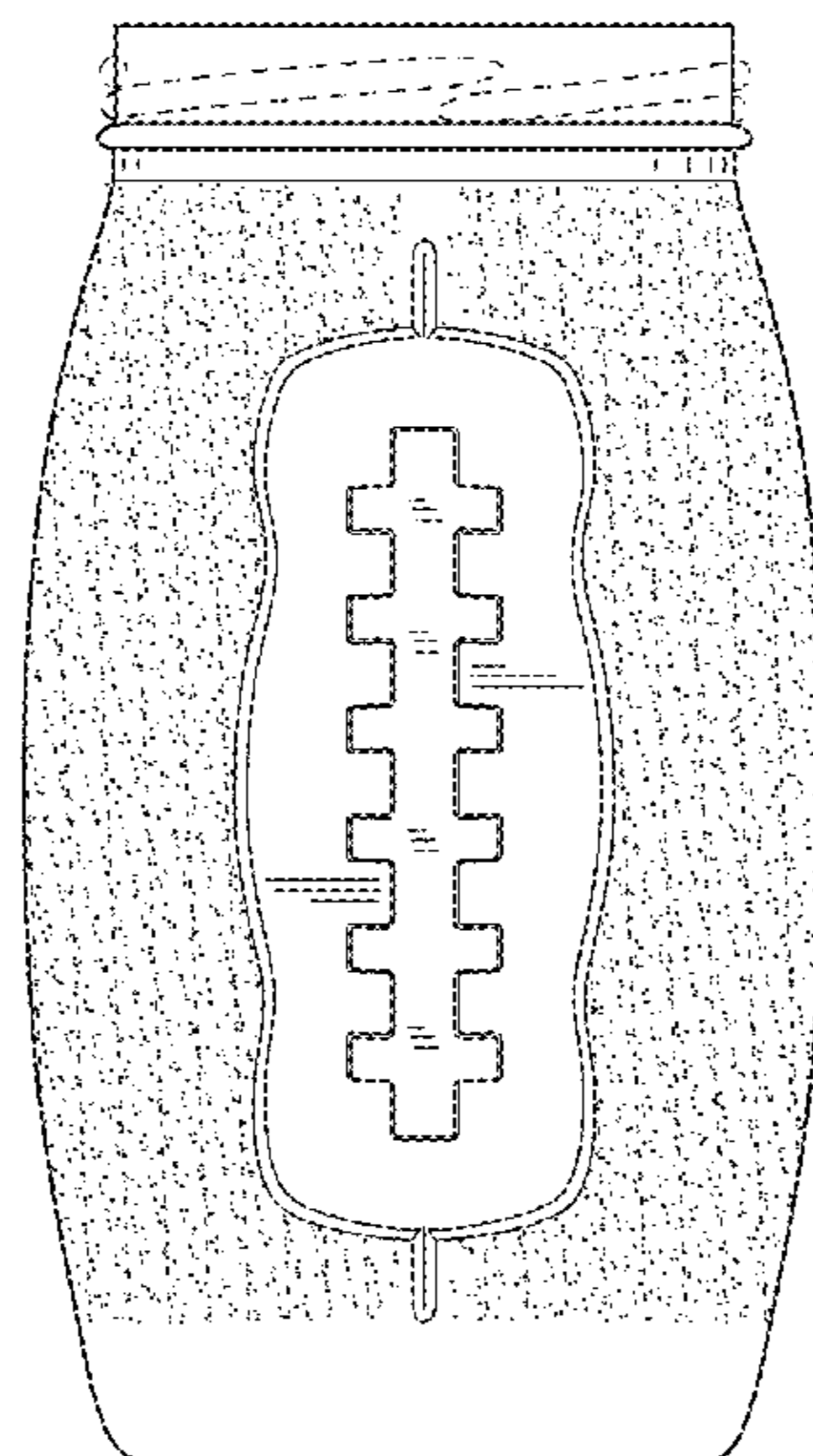
FIG. 10 is a side elevational view taken from the left in FIG. 8.

FIG. 11 is a rear elevational view of the container in FIGS. 7-10; and,

FIG. 12 is a top plan view of the container in FIGS. 7-11, the container bottom forming no part of the claimed design.

Threads are shown in phantom in various views for environment only and form no part of the claimed design.

1 Claim, 6 Drawing Sheets



(56)

References Cited

U.S. PATENT DOCUMENTS

D411,442 S 6/1999 Edson et al.
D519,384 S 4/2006 Voss et al.

D522,303 S 6/2006 Estes
D571,670 S 6/2008 Lepoitevin
D580,775 S 11/2008 Harris
D609,111 S 2/2010 Bentley et al.
D614,504 S 4/2010 Coat
D627,233 S 11/2010 Blakeman

FIG. 1

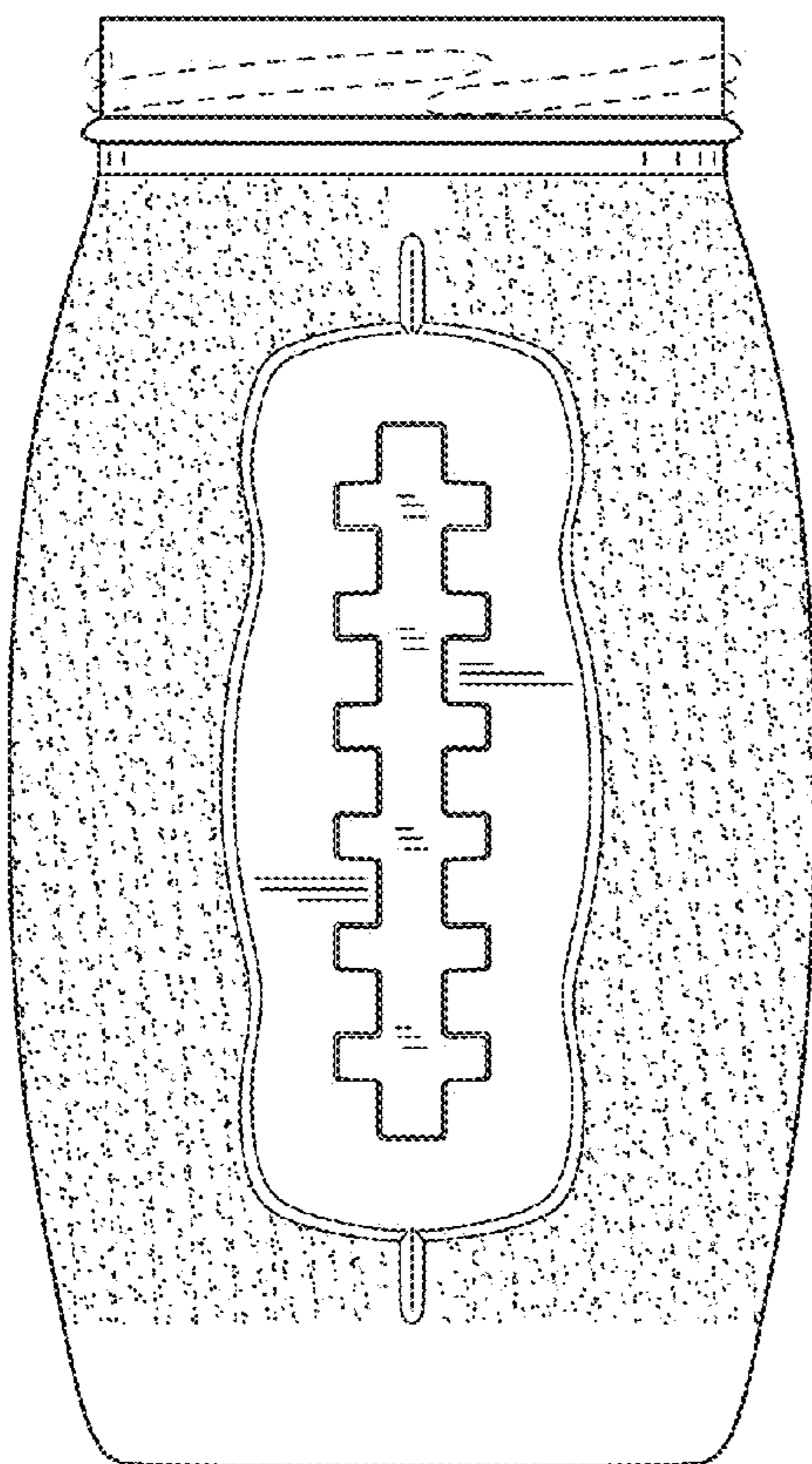
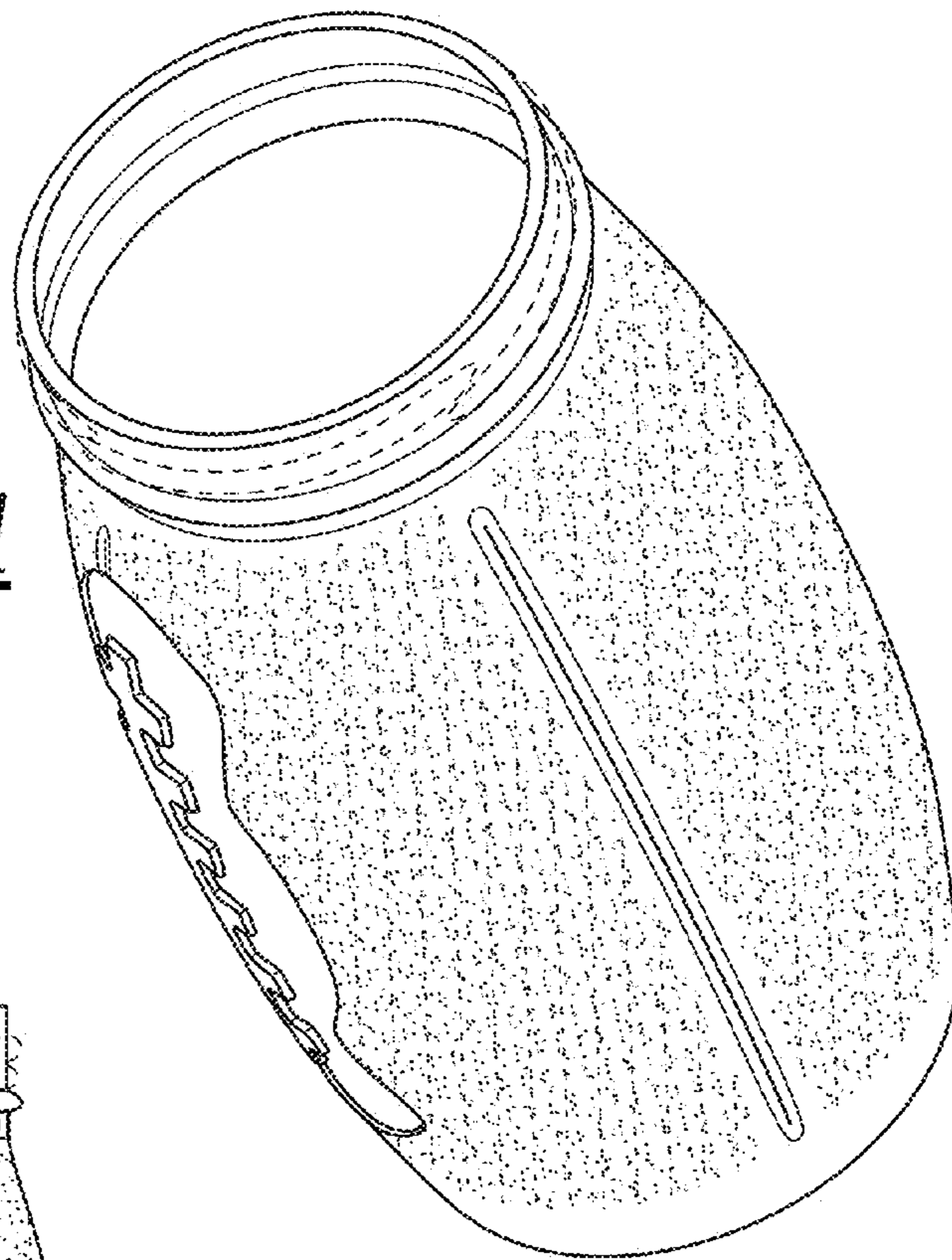


FIG. 2

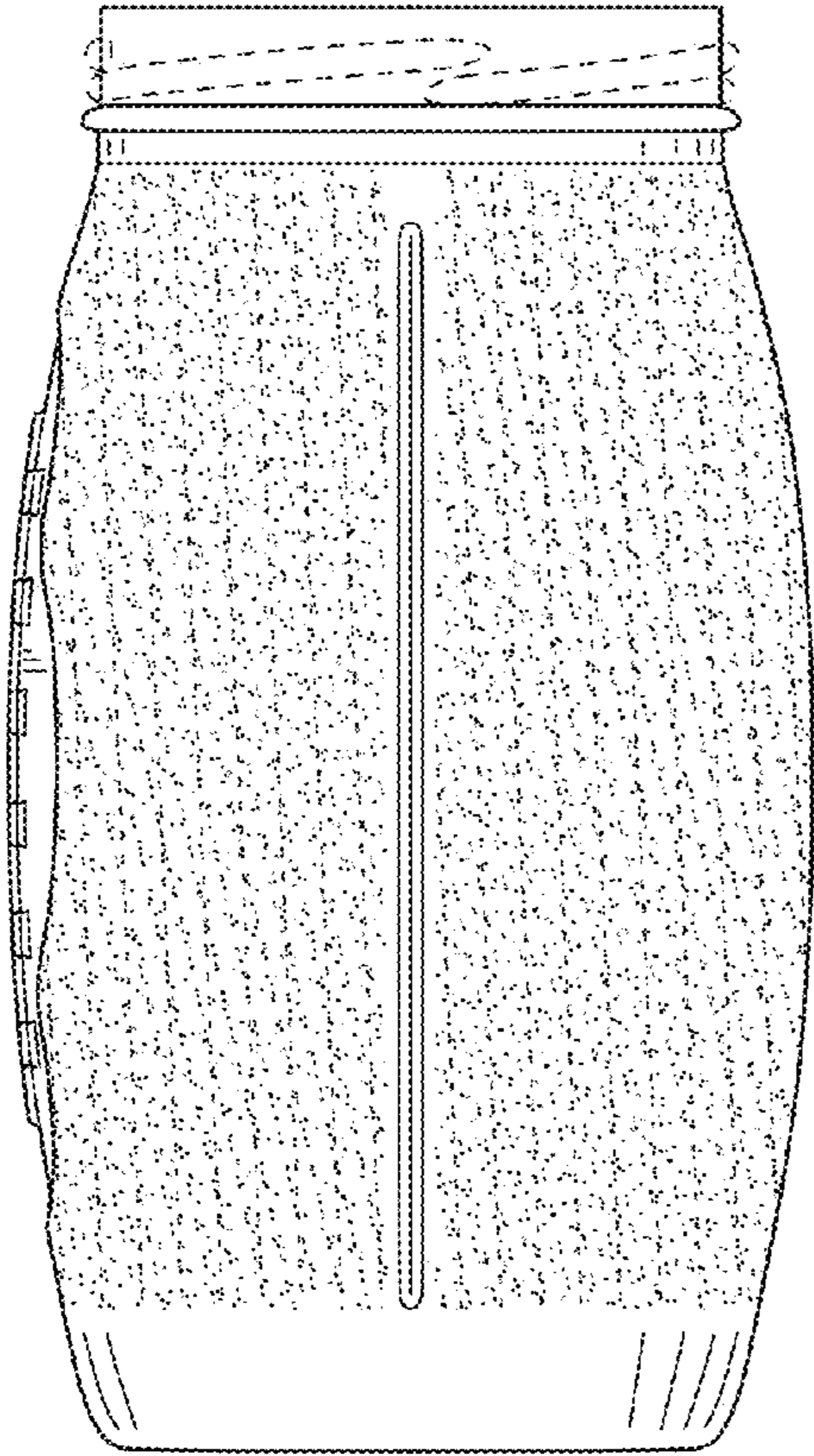


FIG. 3

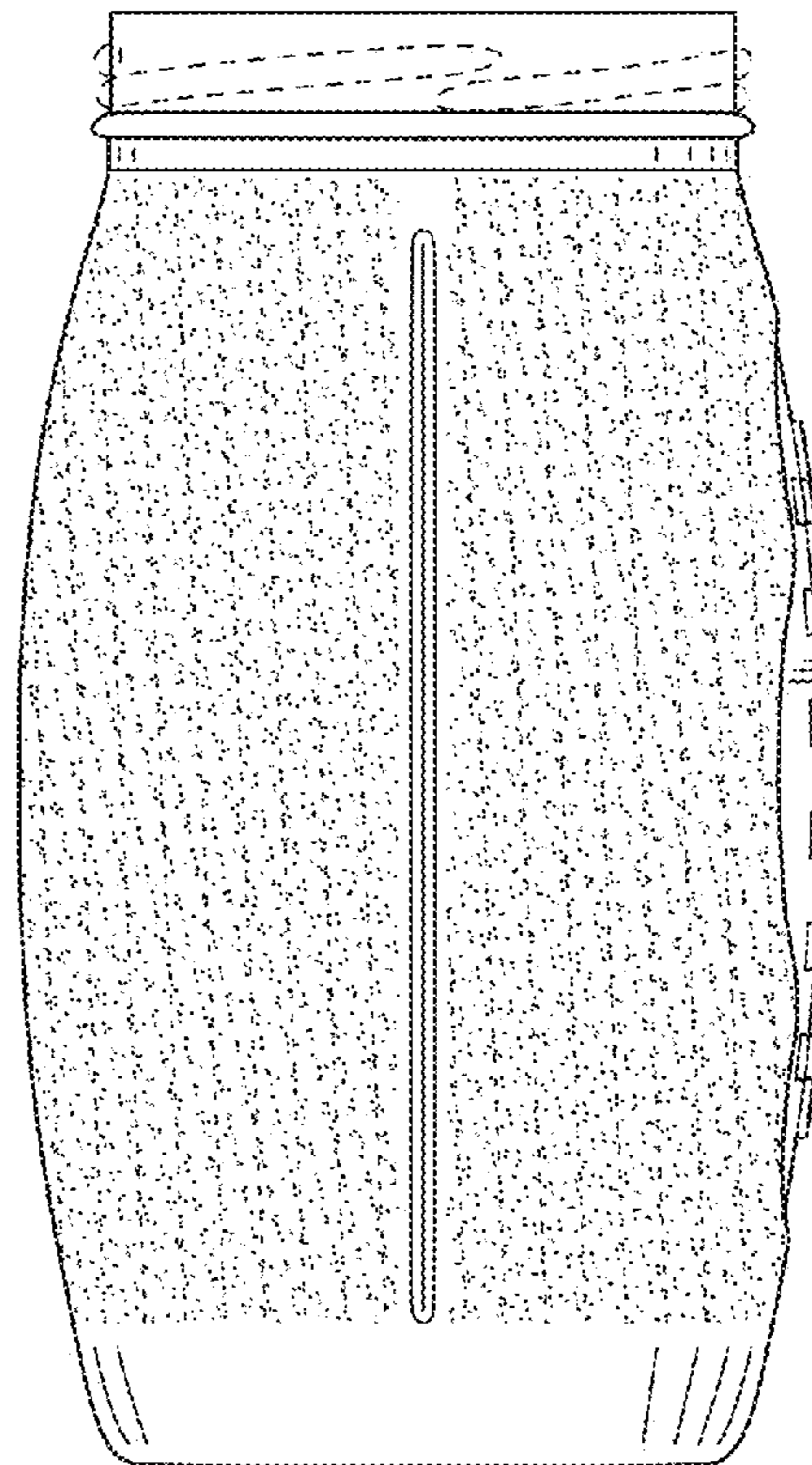


FIG. 4

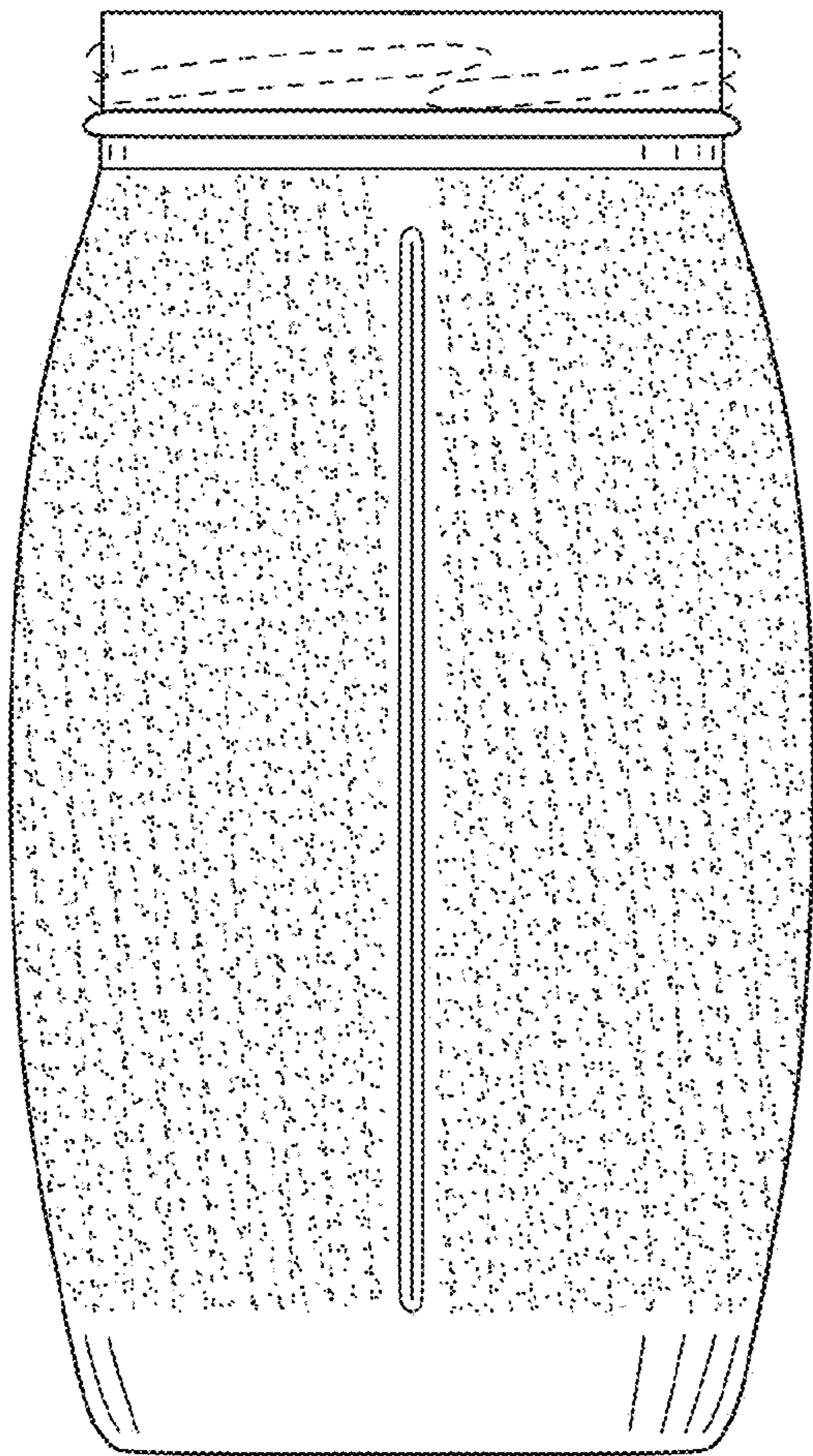


FIG. 5

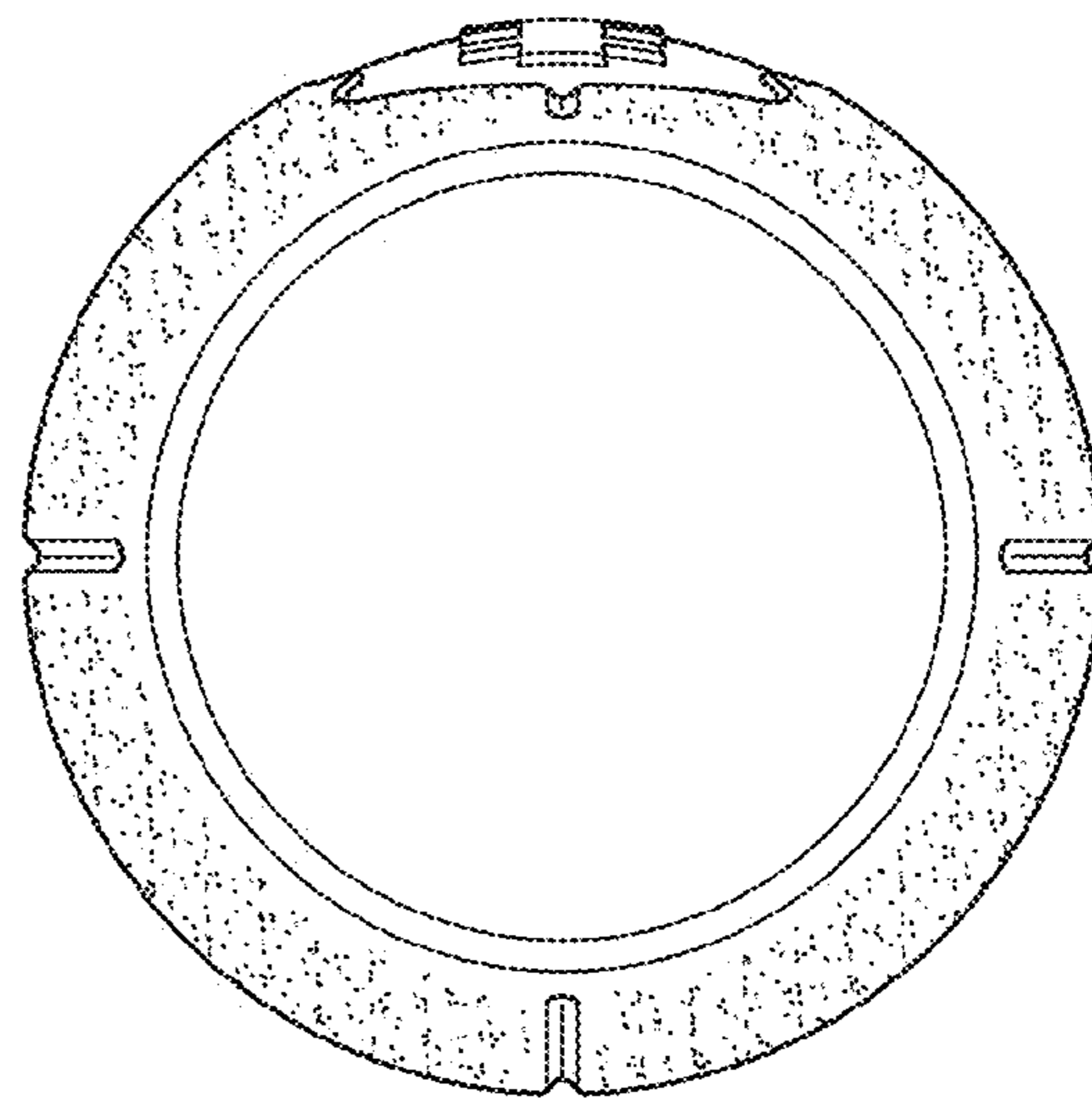


FIG. 6

FIG. 7

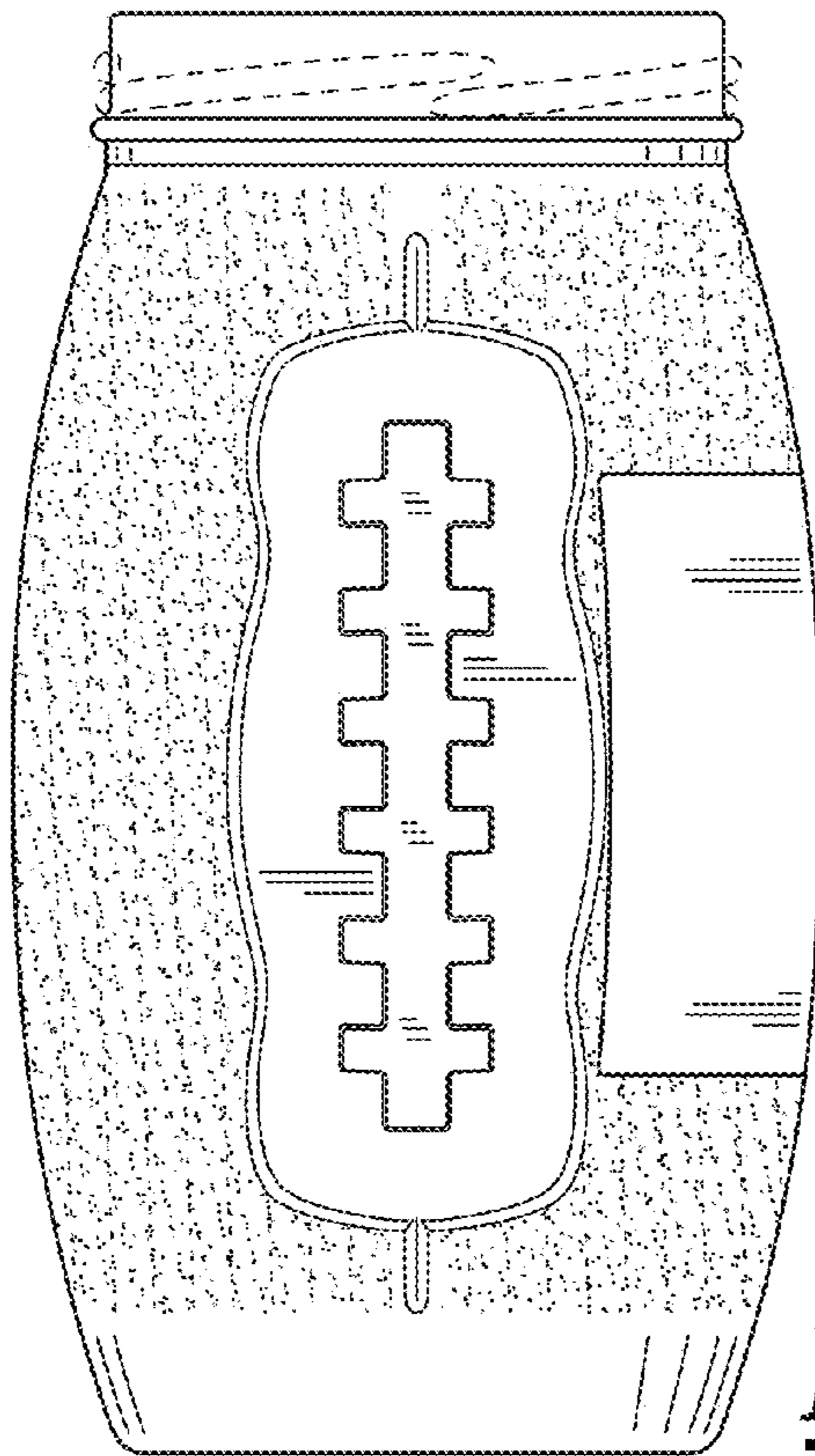
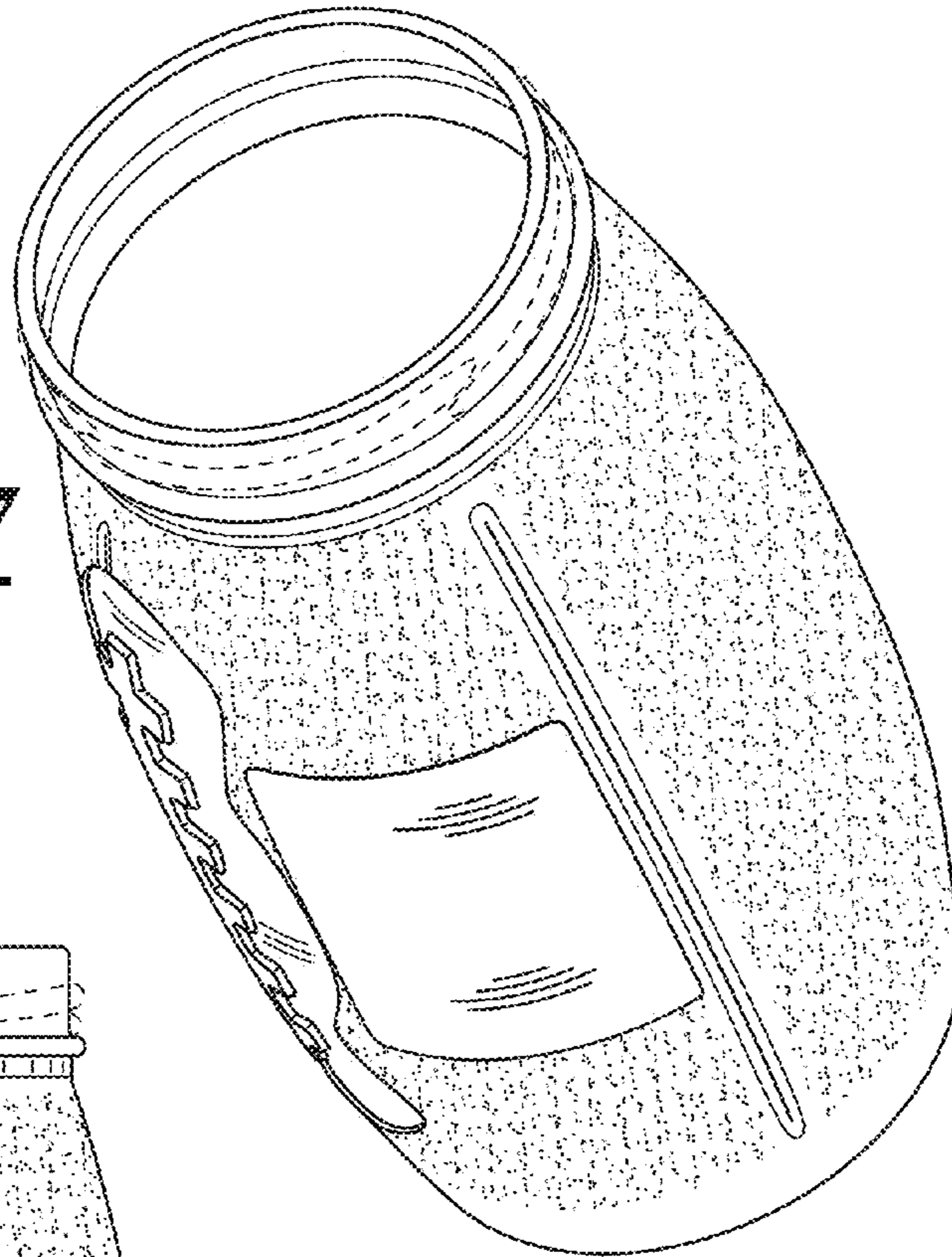


FIG. 8

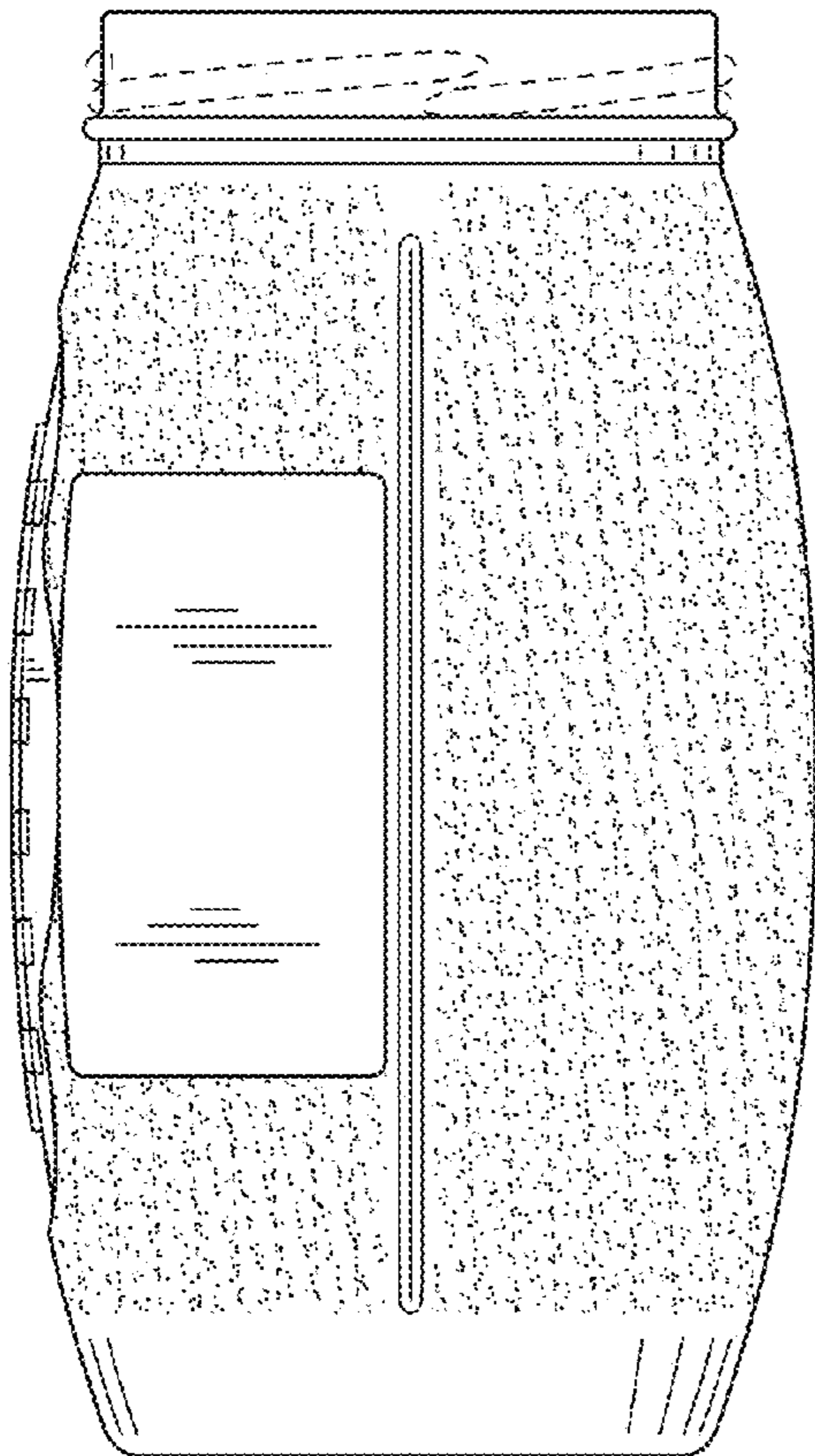


FIG. 9

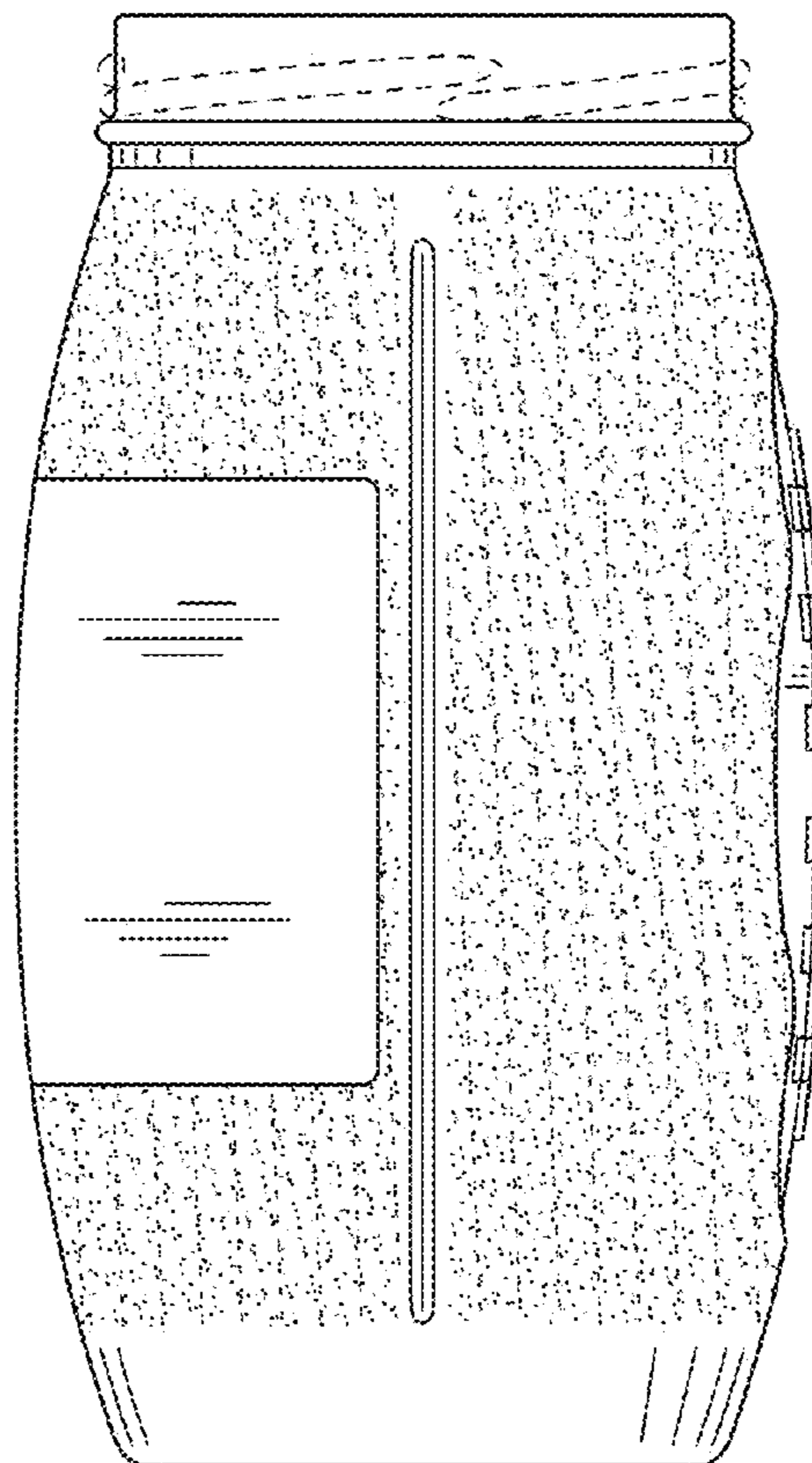


FIG. 10

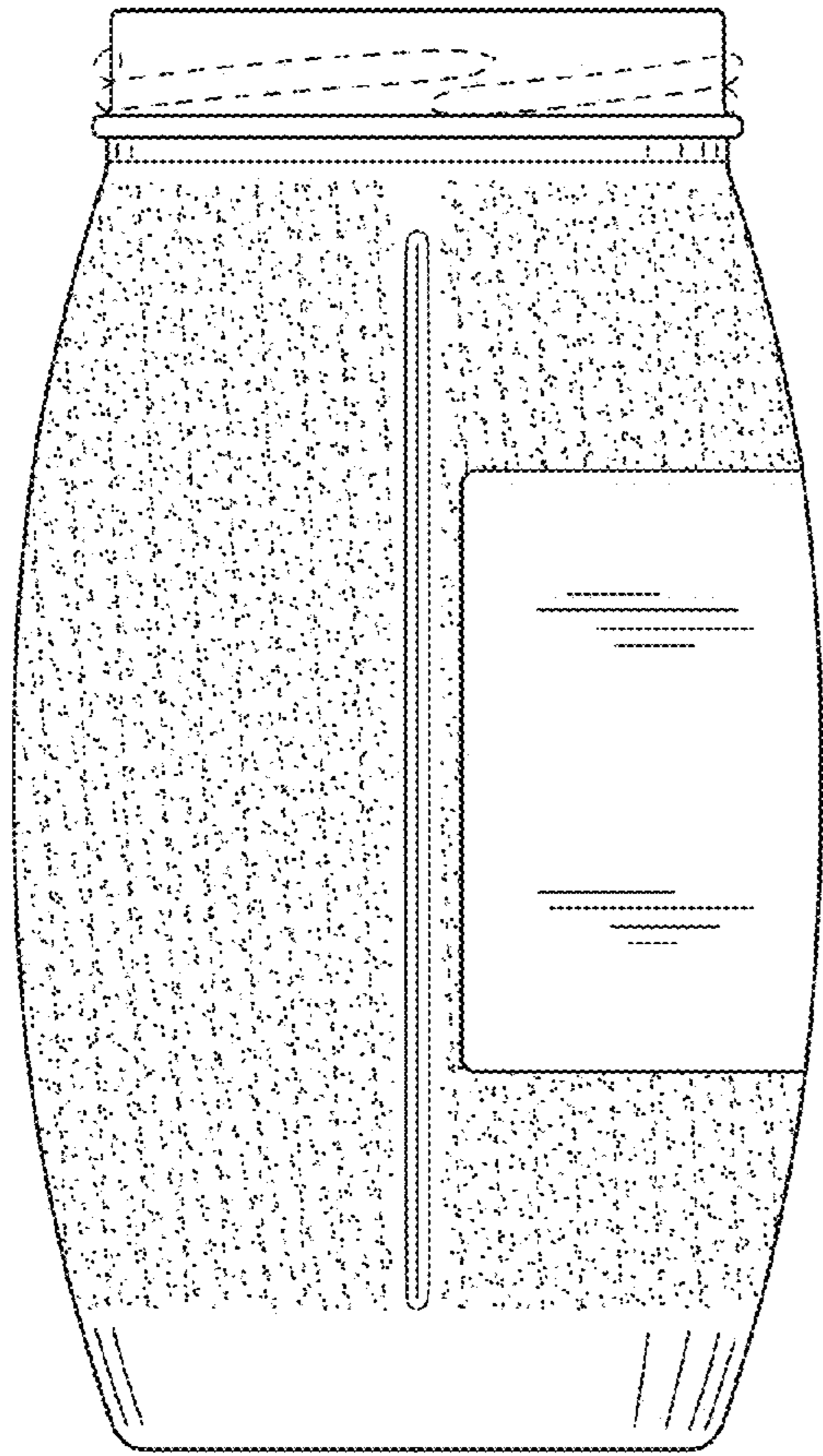


FIG. 11

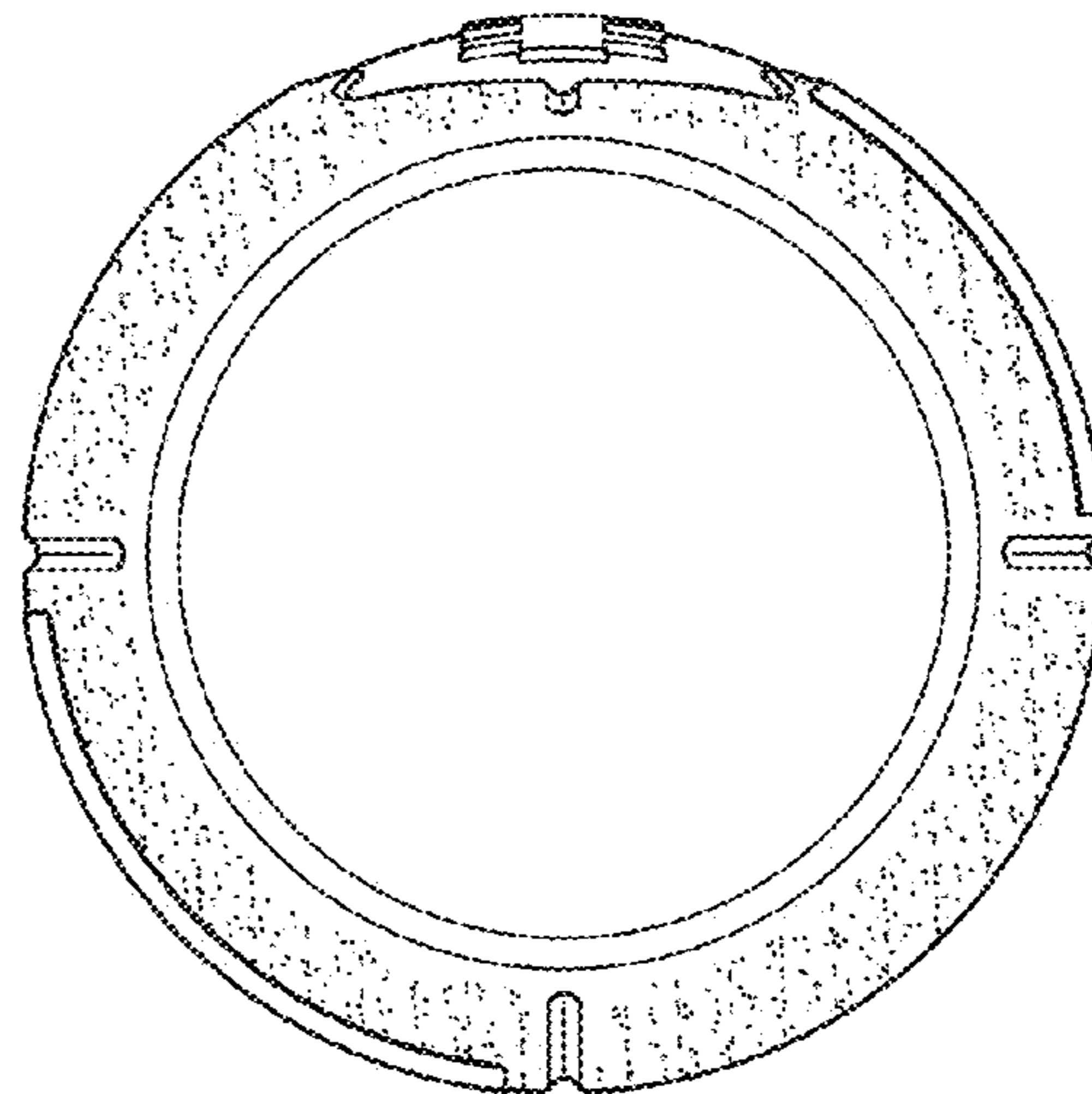


FIG. 12