



US00D705071S

(12) **United States Design Patent**
Abend et al.

(10) **Patent No.:** **US D705,071 S**

(45) **Date of Patent:** **** May 20, 2014**

(54) **PLASTIC CONTAINER**

(75) Inventors: **Alicia Abend**, York, PA (US); **Anthony J. Schlies**, York, PA (US)

(73) Assignee: **Graham Packaging Company, L.P.**, York, PA (US)

(**) Term: **14 Years**

(21) Appl. No.: **29/405,522**

(22) Filed: **Nov. 3, 2011**

(51) **LOC (10) Cl.** **09-01**

(52) **U.S. Cl.**
USPC **D9/538**; D9/539; D9/553

(58) **Field of Classification Search**
USPC D9/516, 537–540, 541, 545–546,
D9/549–550, 553, 558; 215/381–384;
220/606, 670, 674–675

See application file for complete search history.

(56) **References Cited**

U.S. PATENT DOCUMENTS

5,704,503	A *	1/1998	Krishnakumar et al.	215/381
D397,941	S *	9/1998	Lauth	D9/538 X
D429,647	S *	8/2000	Warner et al.	D9/538
D445,033	S *	7/2001	Bretz et al.	D9/553 X
D446,126	S *	8/2001	Bretz et al.	D9/553 X
D454,500	S *	3/2002	Bretz et al.	D9/538
D465,158	S *	11/2002	Peek et al.	D9/538 X
D466,813	S *	12/2002	Thierjung et al.	D9/549 X
D504,617	S *	5/2005	Pedmo et al.	D9/541
D525,138	S *	7/2006	Shmagin et al.	D9/553 X
D527,270	S *	8/2006	Ungrady	D9/538
D527,643	S *	9/2006	Gottlieb	D9/538
D531,508	S *	11/2006	Steih et al.	D9/516
7,178,684	B1 *	2/2007	Budden et al.	215/381

D551,081	S *	9/2007	Ohara et al.	D9/537 X
D561,596	S *	2/2008	Hyde et al.	D9/550 X
D584,627	S *	1/2009	Lepoitevin	D9/540 X
D608,203	S *	1/2010	Yourist	D9/538 X
D609,105	S *	2/2010	Tiefenback	D9/539
D610,017	S *	2/2010	Howell et al.	D9/538
D623,529	S *	9/2010	Yourist et al.	D9/553 X
D624,427	S *	9/2010	Yourist et al.	D9/538
D626,848	S	11/2010	Chewning et al.	
D637,908	S *	5/2011	Fleischhacker et al. ...	D9/539 X
D642,471	S *	8/2011	White et al.	D9/539 X
D643,723	S *	8/2011	Snyder et al.	D9/516
D647,804	S *	11/2011	Yourist et al.	D9/558 X

* cited by examiner

Primary Examiner — Carol P Rademaker

(74) *Attorney, Agent, or Firm* — Baker Botts L.L.P.

(57) **CLAIM**

The ornamental design for a plastic container, as shown and described.

DESCRIPTION

FIG. 1 is a top, front, and left side perspective view of a plastic container showing our new design;

FIG. 2 is a bottom, rear, right side perspective view thereof

FIG. 3 is a front elevational view thereof;

FIG. 4 is a rear elevational view thereof;

FIG. 5 is a left side elevational view thereof;

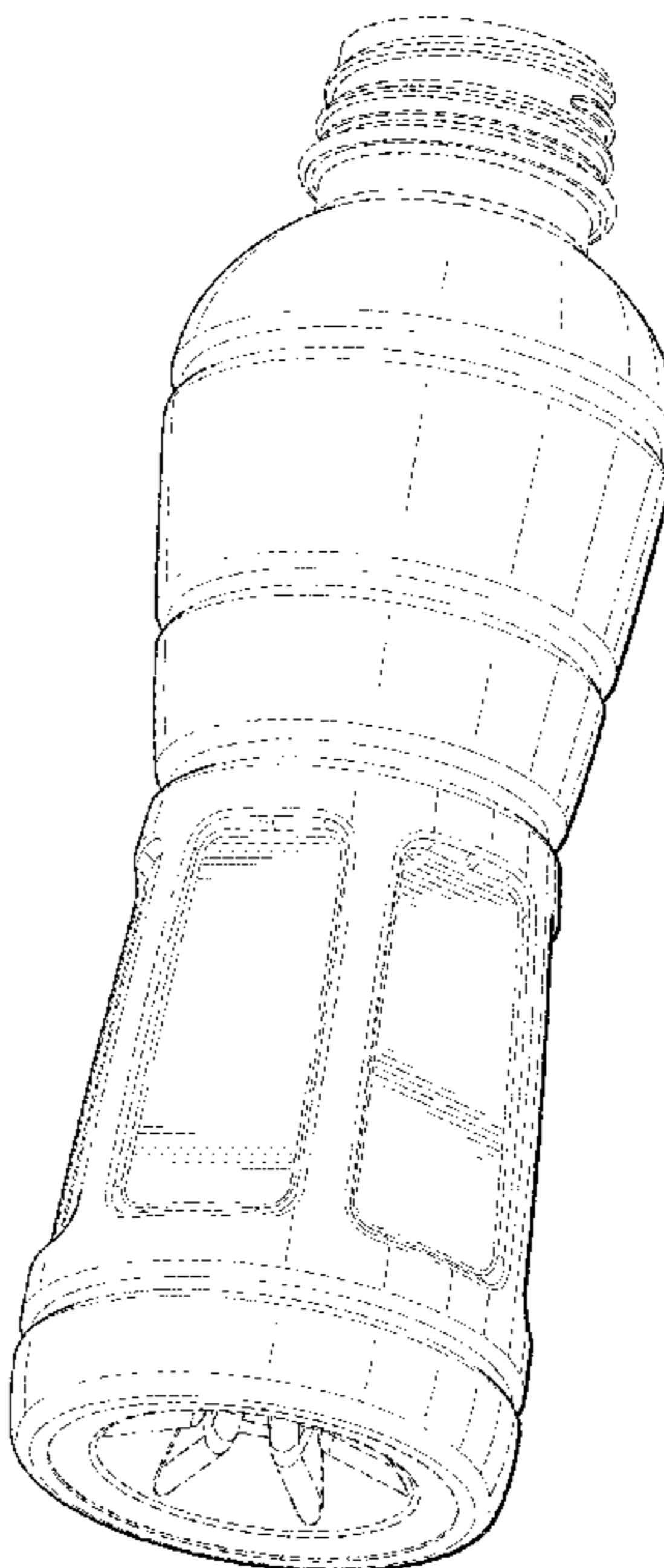
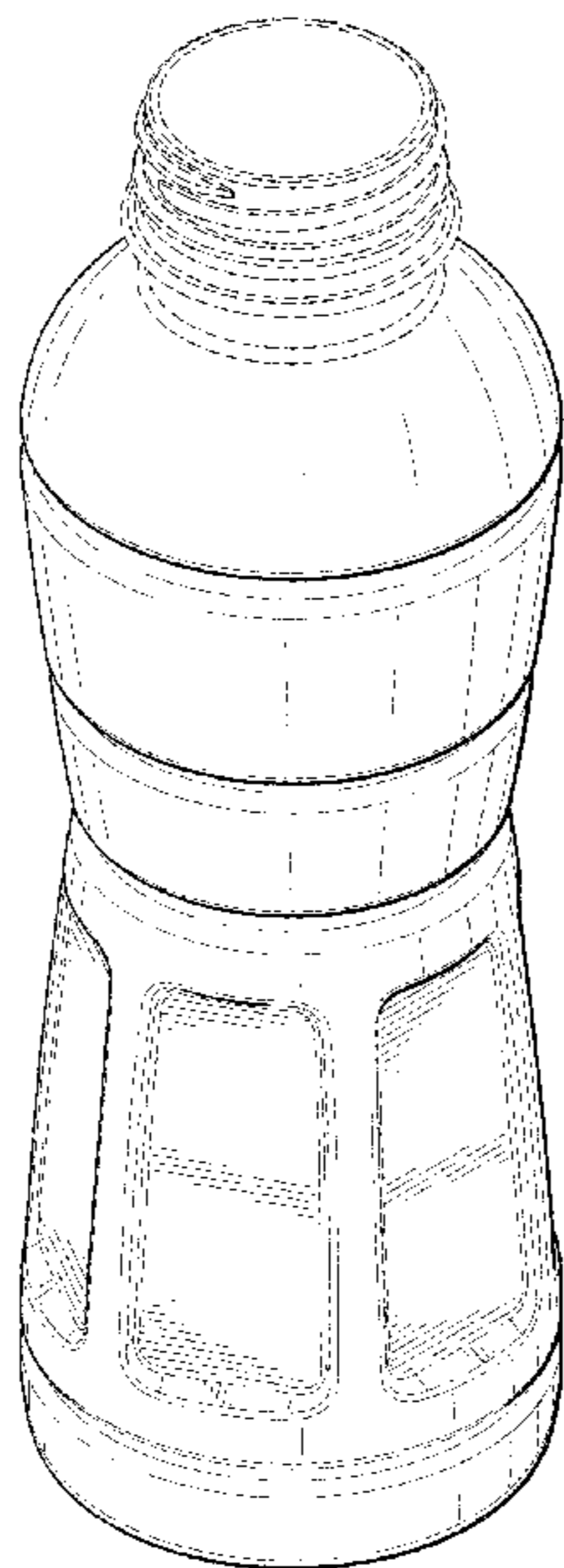
FIG. 6 is a right side elevational view thereof;

FIG. 7 is a top plan view thereof; and,

FIG. 8 is a bottom plan view thereof.

The broken lines shown in the drawings of the pour spout, threads and of bottom surface are included for the purpose of illustrating environmental structure and form no part of the claimed design.

1 Claim, 7 Drawing Sheets



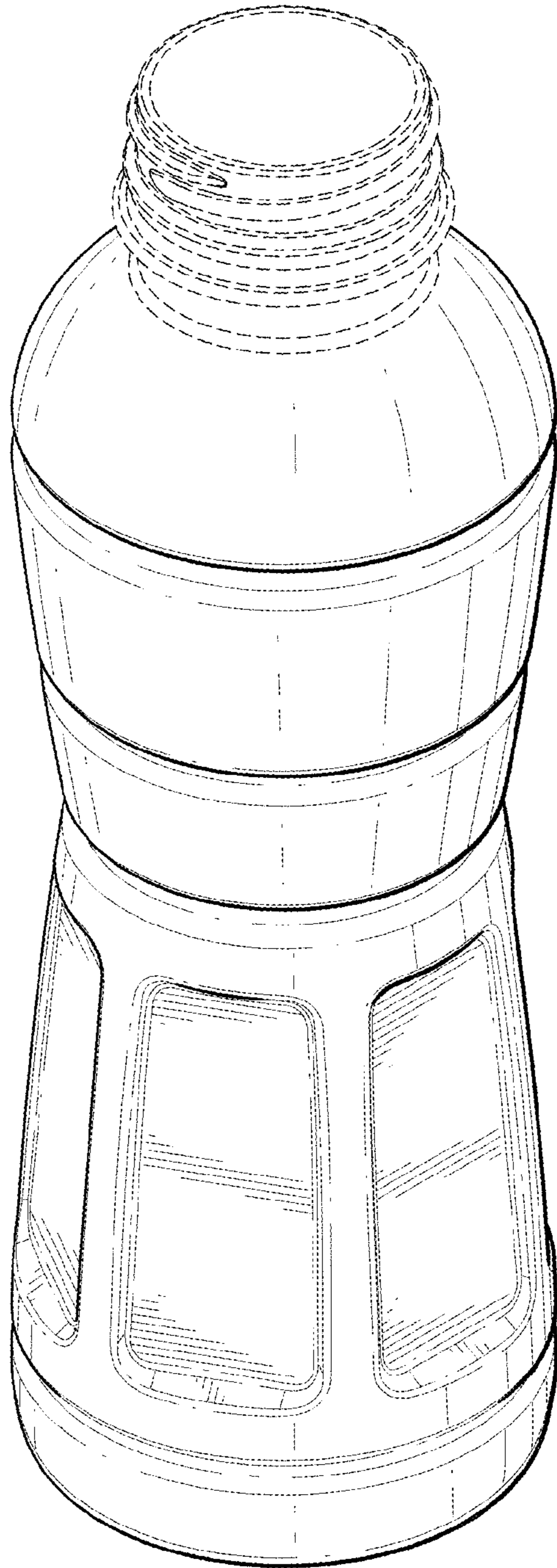


FIG. 1

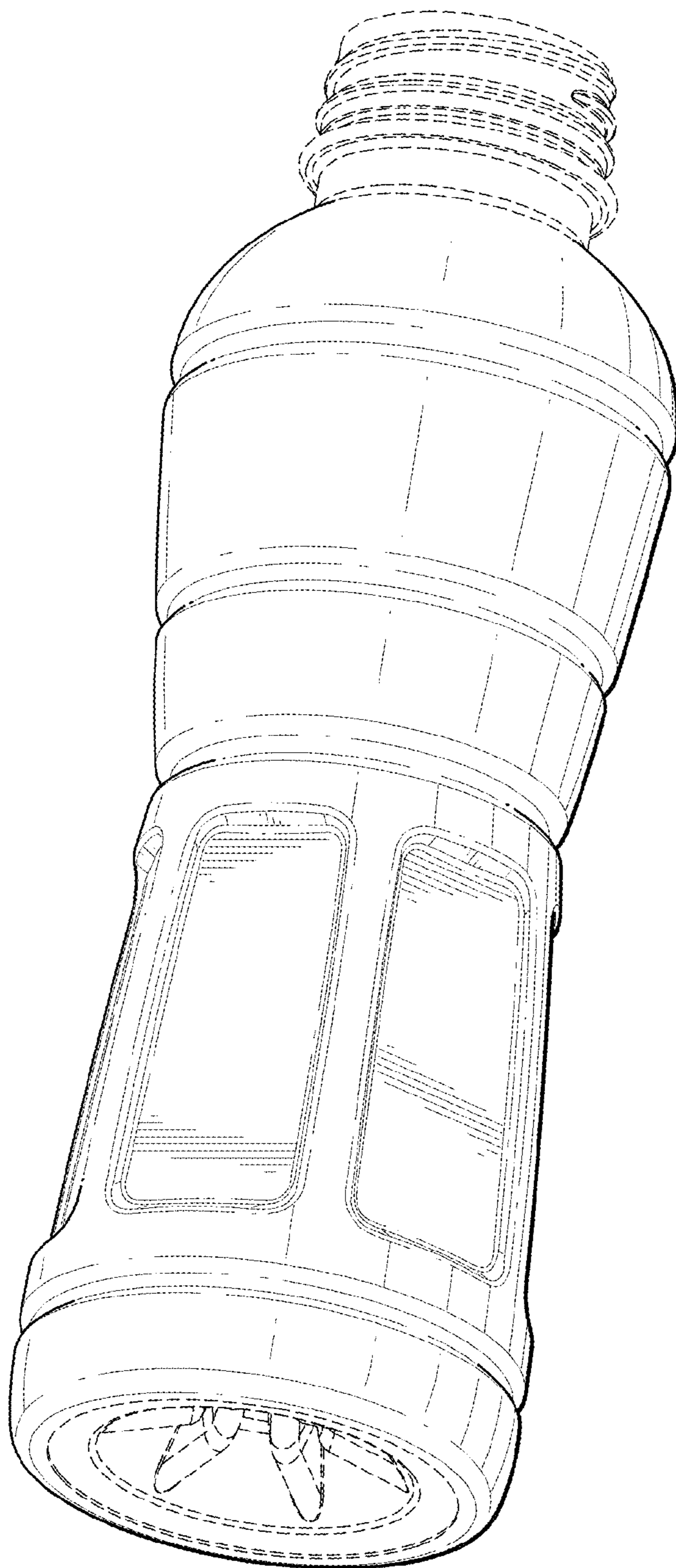


FIG. 2

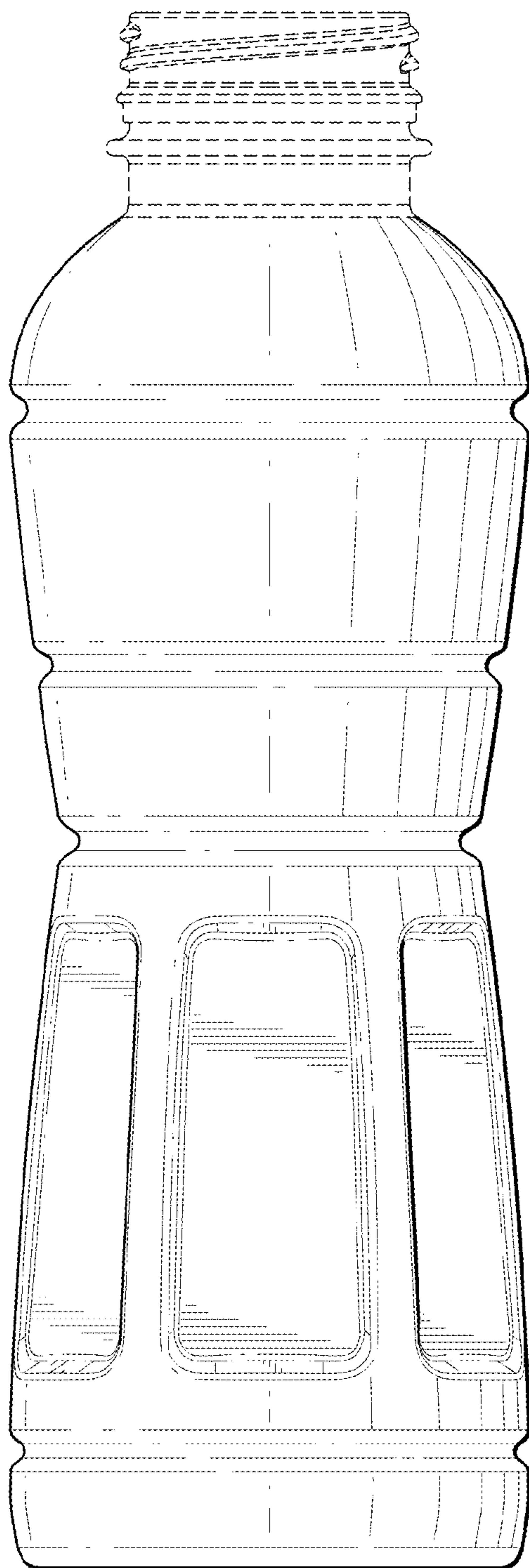


FIG. 3

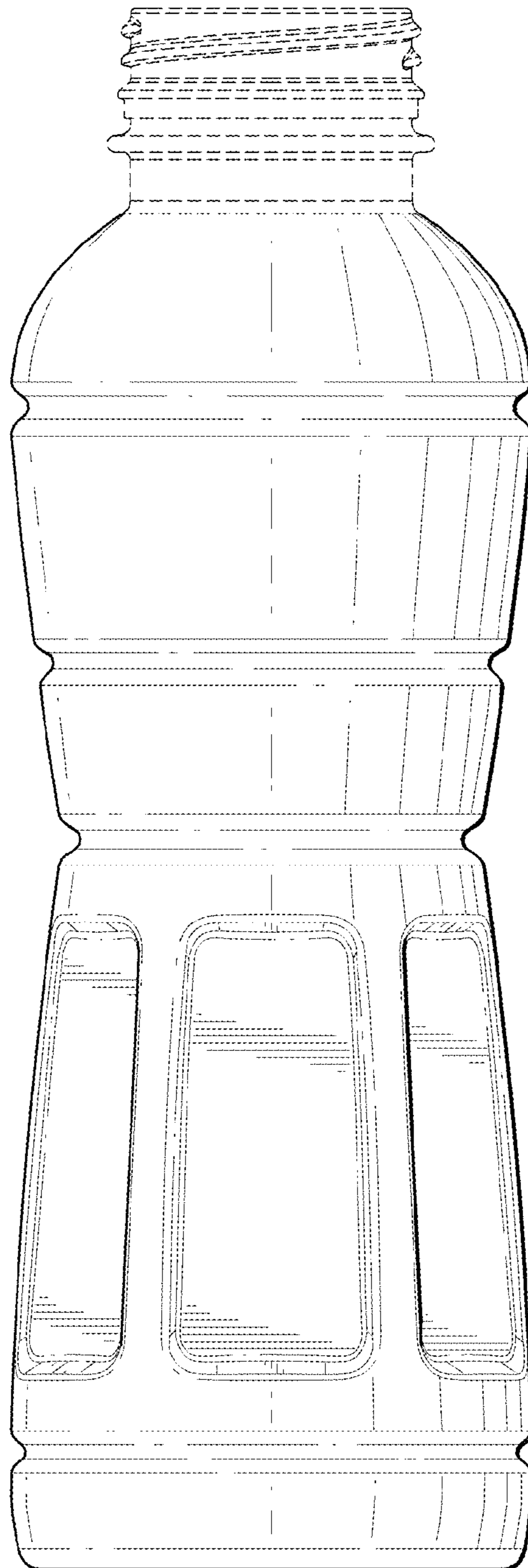


FIG. 4

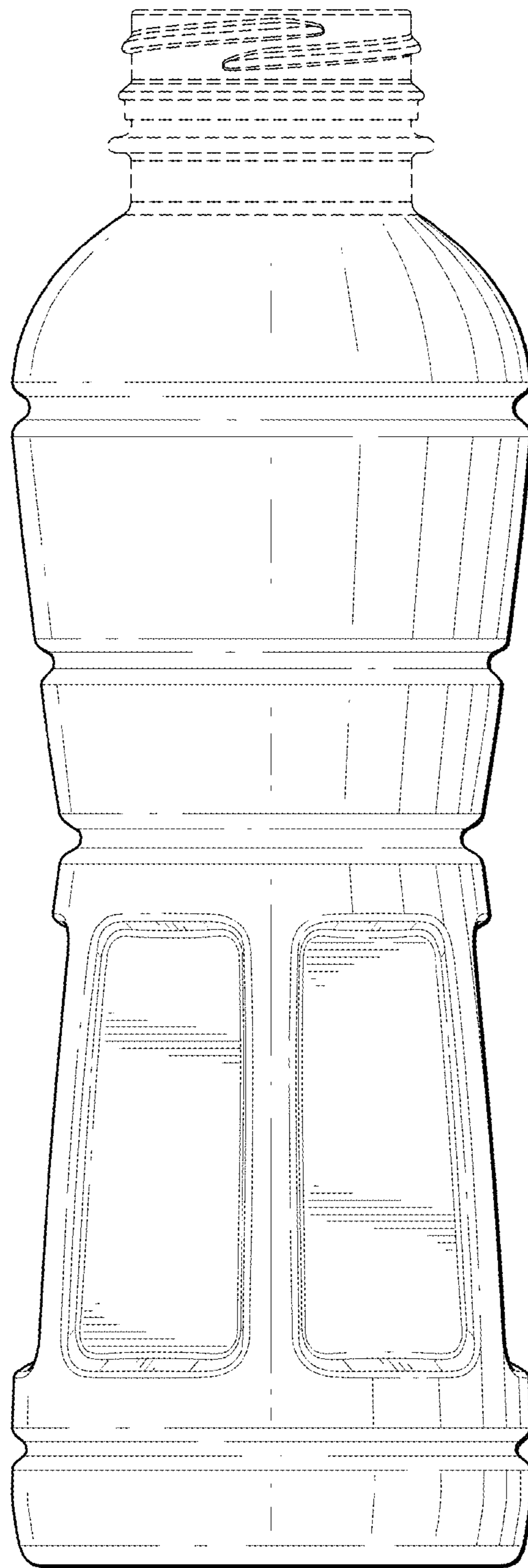


FIG. 5

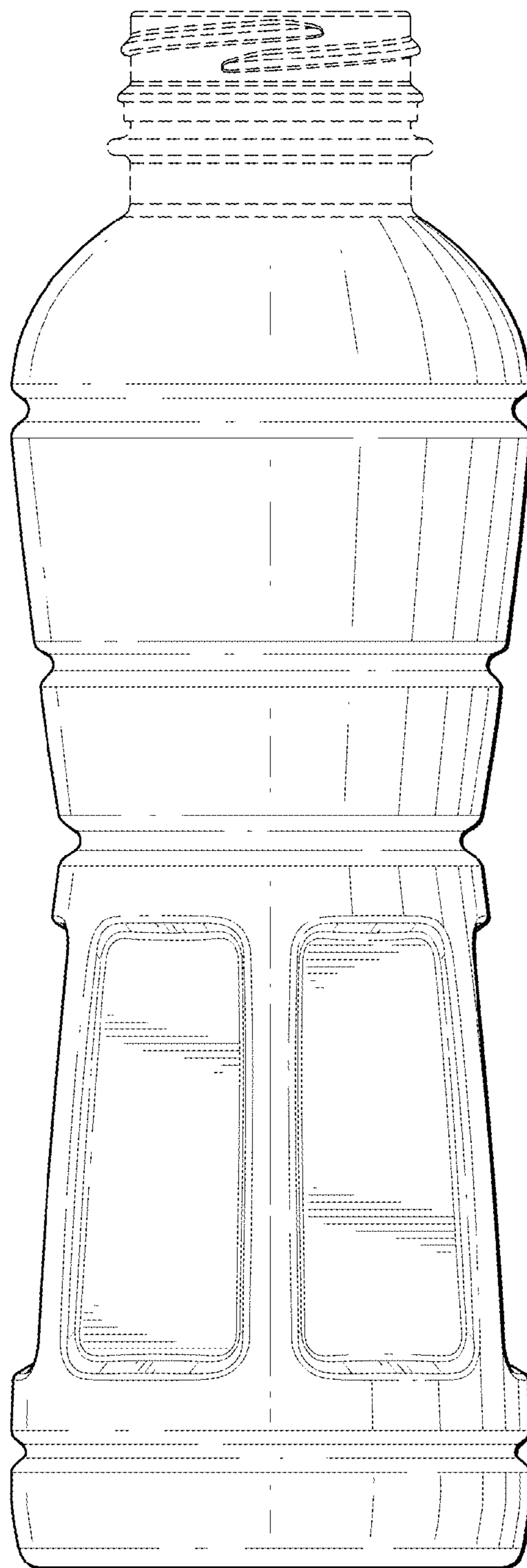


FIG. 6

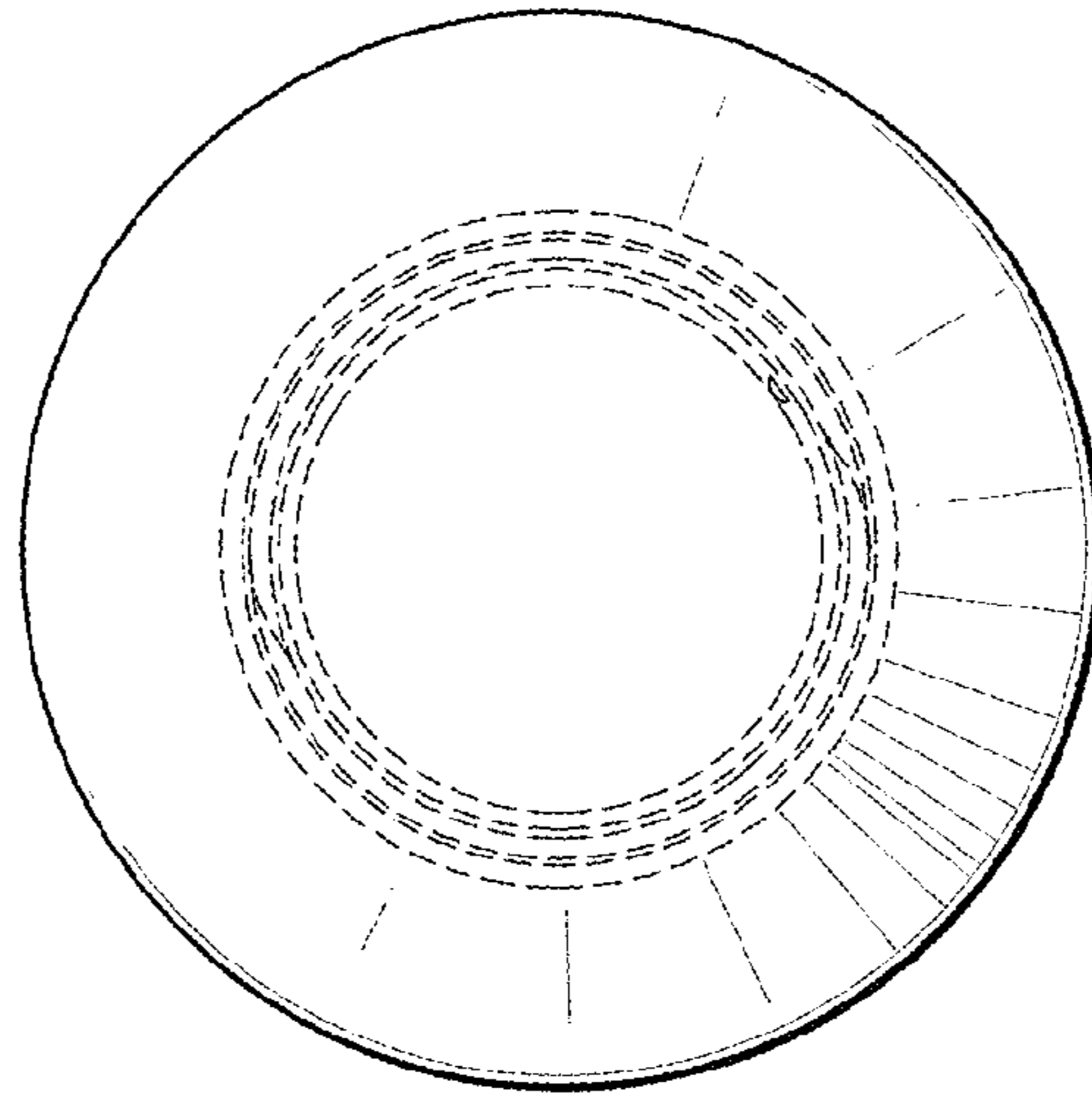


FIG. 7

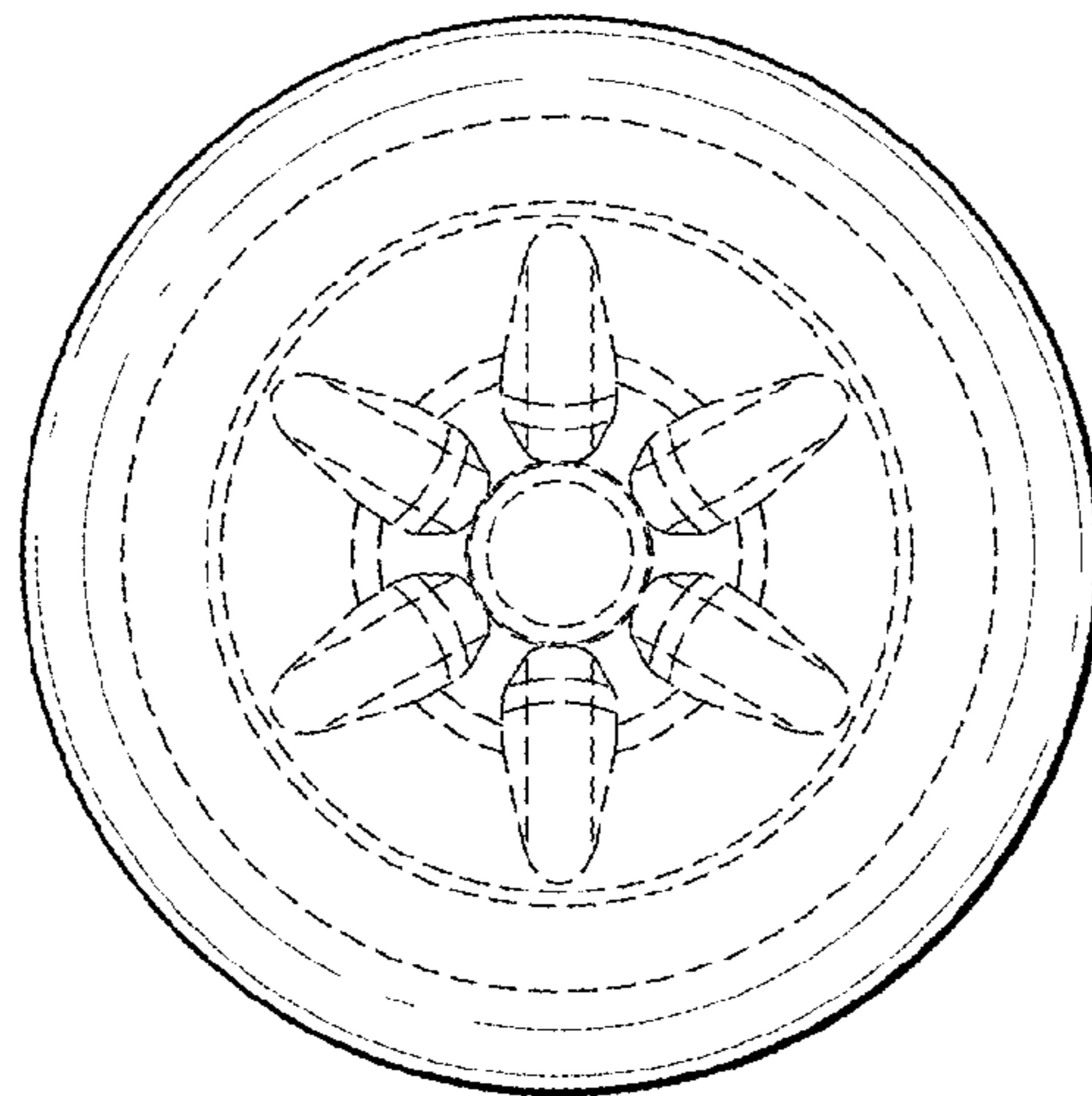


FIG. 8