



US00D705069S

(12) **United States Design Patent**
Crisanti et al.

(10) **Patent No.:** **US D705,069 S**

(45) **Date of Patent:** **** May 20, 2014**

(54) **CONTAINER**

(75) Inventors: **Michael G. Crisanti**, Woodbury, CT (US); **Anne E. Nixon**, Bridgeport, CT (US); **John W. Marchese, Jr.**, Bethany, CT (US); **Reem A. Emerson**, New Brighton, CT (US)

(73) Assignee: **The Sun Products Corporation**, Wilton, CT (US)

(**) Term: **14 Years**

(21) Appl. No.: **29/406,774**

(22) Filed: **Nov. 18, 2011**

(51) **LOC (10) Cl.** **09-01**

(52) **U.S. Cl.**

USPC **D9/522**; D9/523; D9/543; D9/575

(58) **Field of Classification Search**

USPC D9/516, 522-523, 530, 543, 559-560, D9/562; 215/379, 381-384

See application file for complete search history.

(56) **References Cited**

U.S. PATENT DOCUMENTS

D192,535 S *	4/1962	Laudano	D9/543
3,194,426 A	7/1965	Brown, Jr.	
D217,439 S *	5/1970	Platte	215/384 X
D234,748 S *	4/1975	Catstens	D9/522
D252,497 S	7/1979	Courreges	
4,165,812 A	8/1979	Jennison	
4,308,955 A	1/1982	Schieser et al.	
D276,698 S *	12/1984	Carlson	D9/522
D277,363 S *	1/1985	Drummond et al.	D9/543 X
D289,377 S *	4/1987	Ashby et al.	D9/529
D305,980 S *	2/1990	Binder et al.	D9/543
5,002,199 A	3/1991	Frahm	
5,133,469 A	7/1992	Mehta	
D333,096 S *	2/1993	Binder	D8/523 X
D335,453 S	5/1993	Marti	
D339,295 S	9/1993	Hicks	

D341,781 S	11/1993	Sanyal	
5,316,159 A	5/1994	Douglas et al.	
D379,764 S	6/1997	Litton	
D399,132 S	10/1998	Vola	
D402,896 S *	12/1998	Conrad	D9/559 X
D432,920 S *	10/2000	Johnson et al.	D9/543
D439,156 S	3/2001	Hall et al.	
D446,124 S *	8/2001	Lehnert	D9/522
D449,778 S	10/2001	Legoupil et al.	
D450,245 S	11/2001	Schultz	
D472,150 S	3/2003	Yourist	
D475,286 S *	6/2003	Bomer	D9/522
D481,627 S	11/2003	Hillesland	
D485,170 S	1/2004	Hay et al.	
D485,184 S	1/2004	Hay et al.	

(Continued)

Primary Examiner — Carol P Rademaker

(74) *Attorney, Agent, or Firm* — Sterne, Kessler, Goldstein & Fox P.L.L.C.

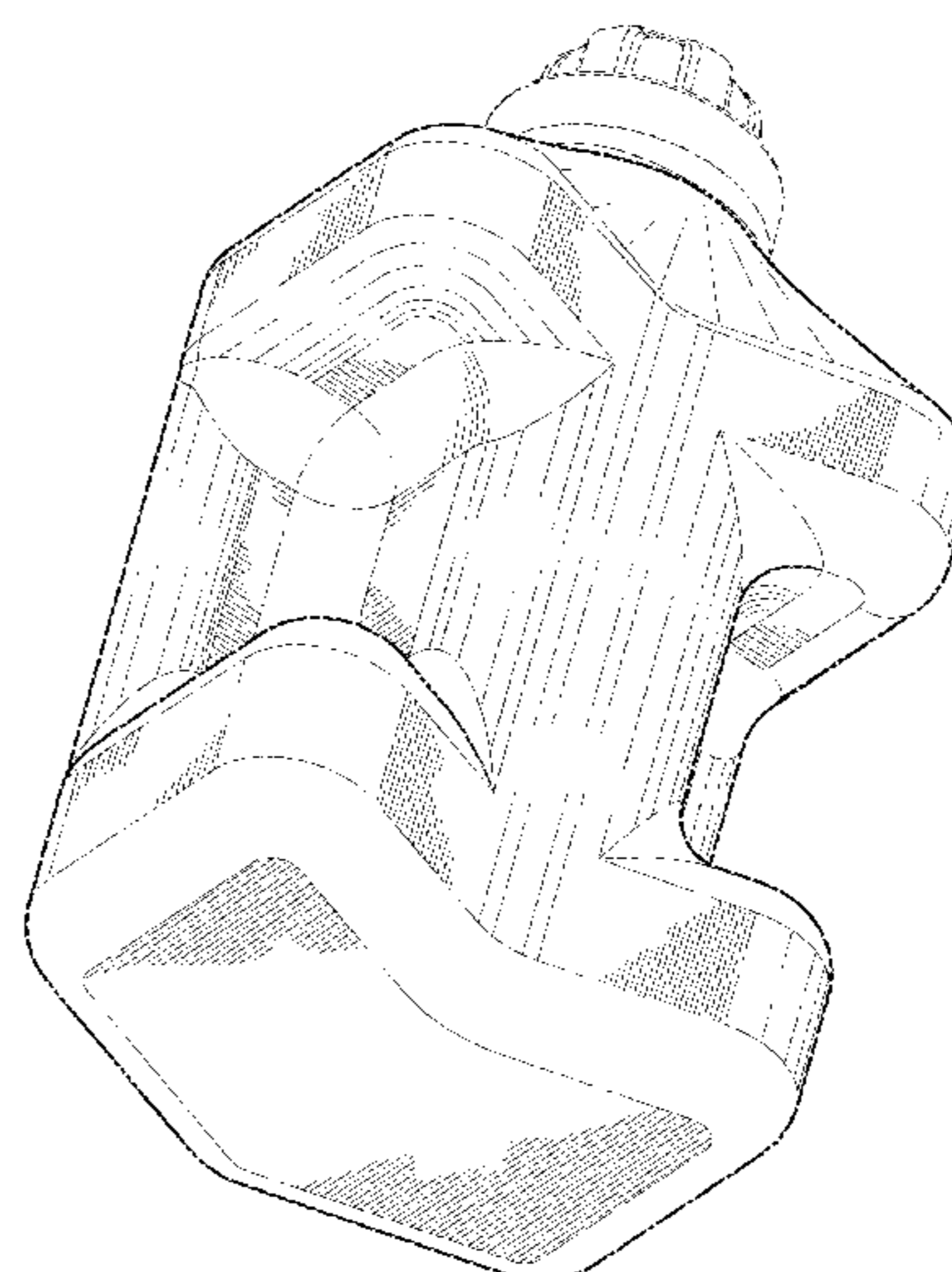
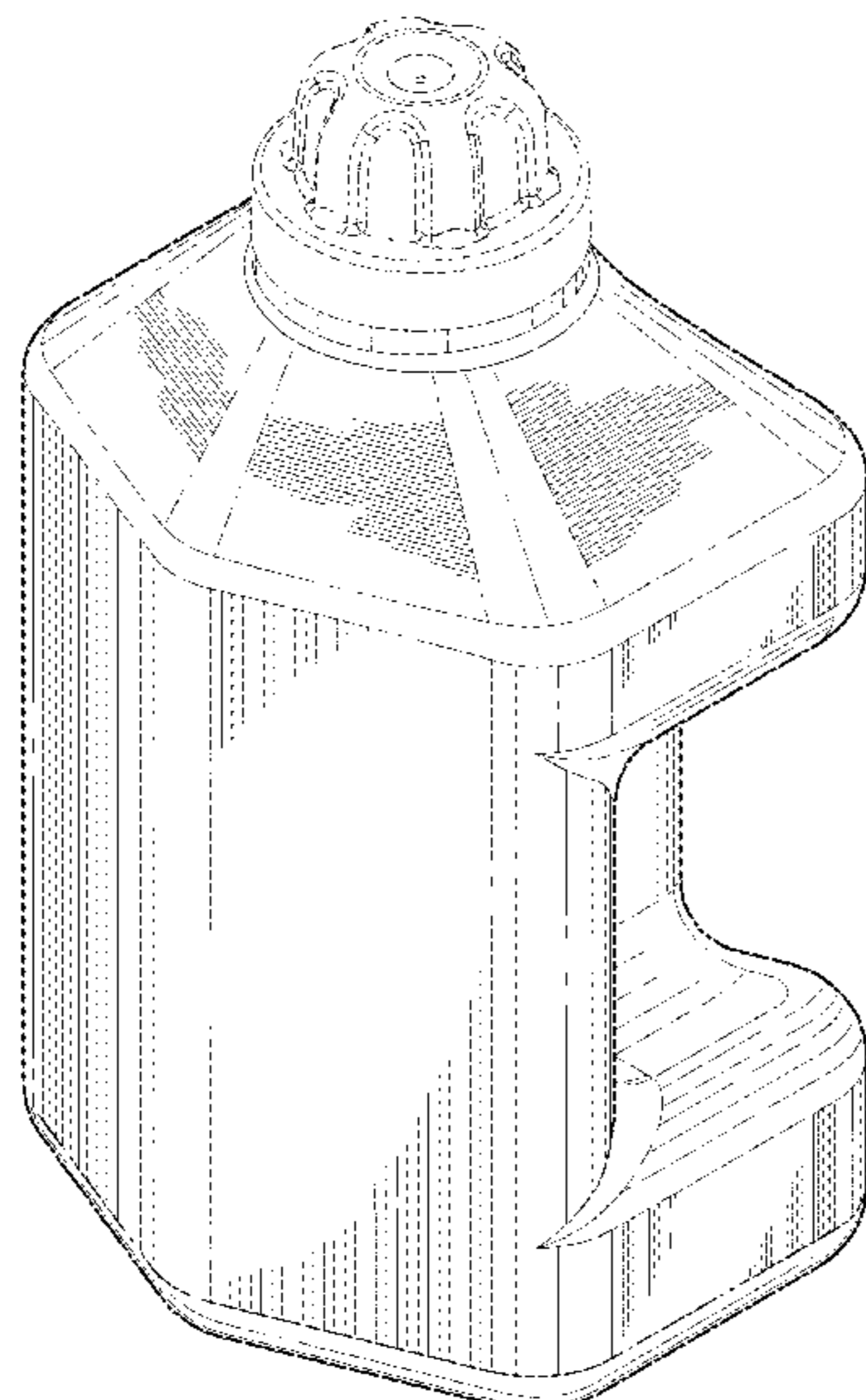
(57) **CLAIM**

The ornamental design for a container, as shown and described.

DESCRIPTION

FIG. 1 is a top, front, and right side perspective view of a container showing our new design;
FIG. 2 is a front elevational view thereof;
FIG. 3 is a rear elevational view thereof;
FIG. 4 is a left side elevational view thereof;
FIG. 5 is a right side elevational view thereof;
FIG. 6 is a top plan view thereof; and
FIG. 7 is a bottom plan view thereof;
FIG. 8 is a top, rear, and right side perspective view thereof; and,
FIG. 9 is bottom, rear, and right side perspective view thereof.
The broken lines shown in the drawings are included for the purpose of illustrating environmental structure and form no part of the claimed design.

1 Claim, 9 Drawing Sheets



(56)

References Cited

U.S. PATENT DOCUMENTS

D488,383 S	4/2004	Kudo et al.	7,516,860 B1	4/2009	Fenton et al.
6,730,004 B2	5/2004	Selsam	7,520,399 B2	4/2009	Lane et al.
D497,555 S	10/2004	Lecoule	D592,072 S	5/2009	Mansau
D498,665 S	11/2004	Mansau	D593,875 S	6/2009	Gaultier
D506,933 S	7/2005	Kearney	D594,760 S	6/2009	Lusker
6,932,228 B1	8/2005	Darr et al.	D597,414 S	8/2009	Regas
D541,175 S	4/2007	Burns et al.	D597,415 S	8/2009	Regas
D541,662 S *	5/2007	Little et D9/560 X	D598,298 S	8/2009	Regas
D542,137 S *	5/2007	Hainaut D9/522	D614,958 S	5/2010	Smith et al.
D543,851 S	6/2007	Franic	D617,659 S	6/2010	Renz et al.
D547,198 S	7/2007	Eaton et al.	D635,864 S	4/2011	Lee
D547,662 S *	7/2007	Hankins et al. D9/530	D641,246 S *	7/2011	Maas et al. D9/543
D548,108 S	8/2007	Lo	D643,295 S *	8/2011	Sadler et al. D9/575 X
D558,049 S	12/2007	Eaton et al.	D645,754 S *	9/2011	Corbett et al. D9/523
D558,604 S	1/2008	Dohm et al.	D645,755 S *	9/2011	Corbett et al. D9/530
D559,108 S	1/2008	Regas	D665,263 S *	8/2012	Sanghavi et al. D9/522
D569,737 S	5/2008	Ogawa	D673,855 S *	1/2013	Burgeson D9/575 X
D569,739 S	5/2008	Bowers et al.	D682,109 S *	5/2013	Haupt D9/575 X
D571,671 S *	6/2008	de France D9/687	D683,223 S *	5/2013	Haupt D9/523 X
D585,297 S	1/2009	Nielsen et al.	8,662,328 B2 *	3/2014	Boisvert 215/383 X
D586,225 S	2/2009	Devereaux	2006/0261063 A1	11/2006	Dyehouse
			2009/0090647 A1	4/2009	Panchal et al.
			2009/0255893 A1	10/2009	Zummo et al.
			2010/0072095 A1	3/2010	Salovaara

* cited by examiner

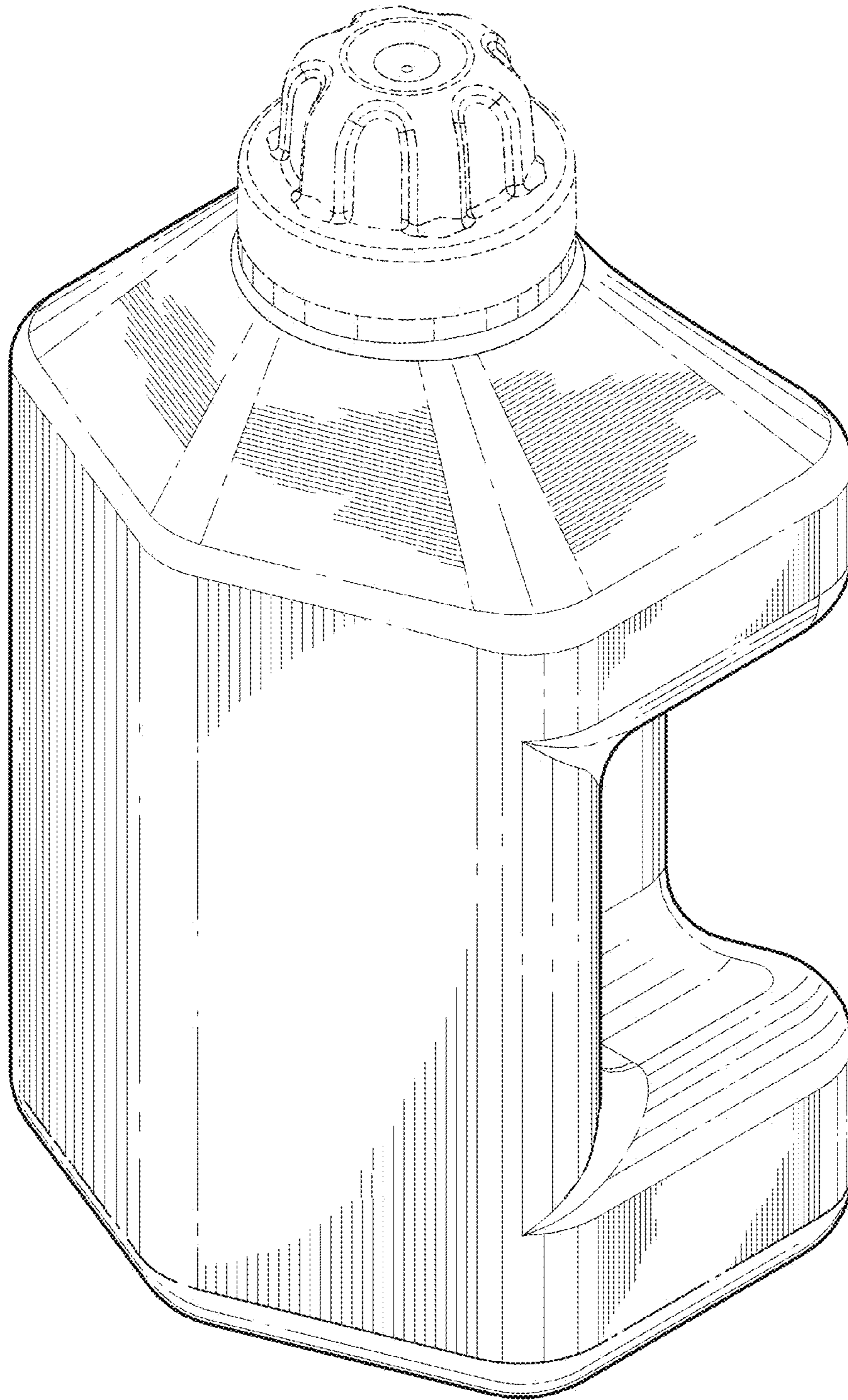


FIG. 1

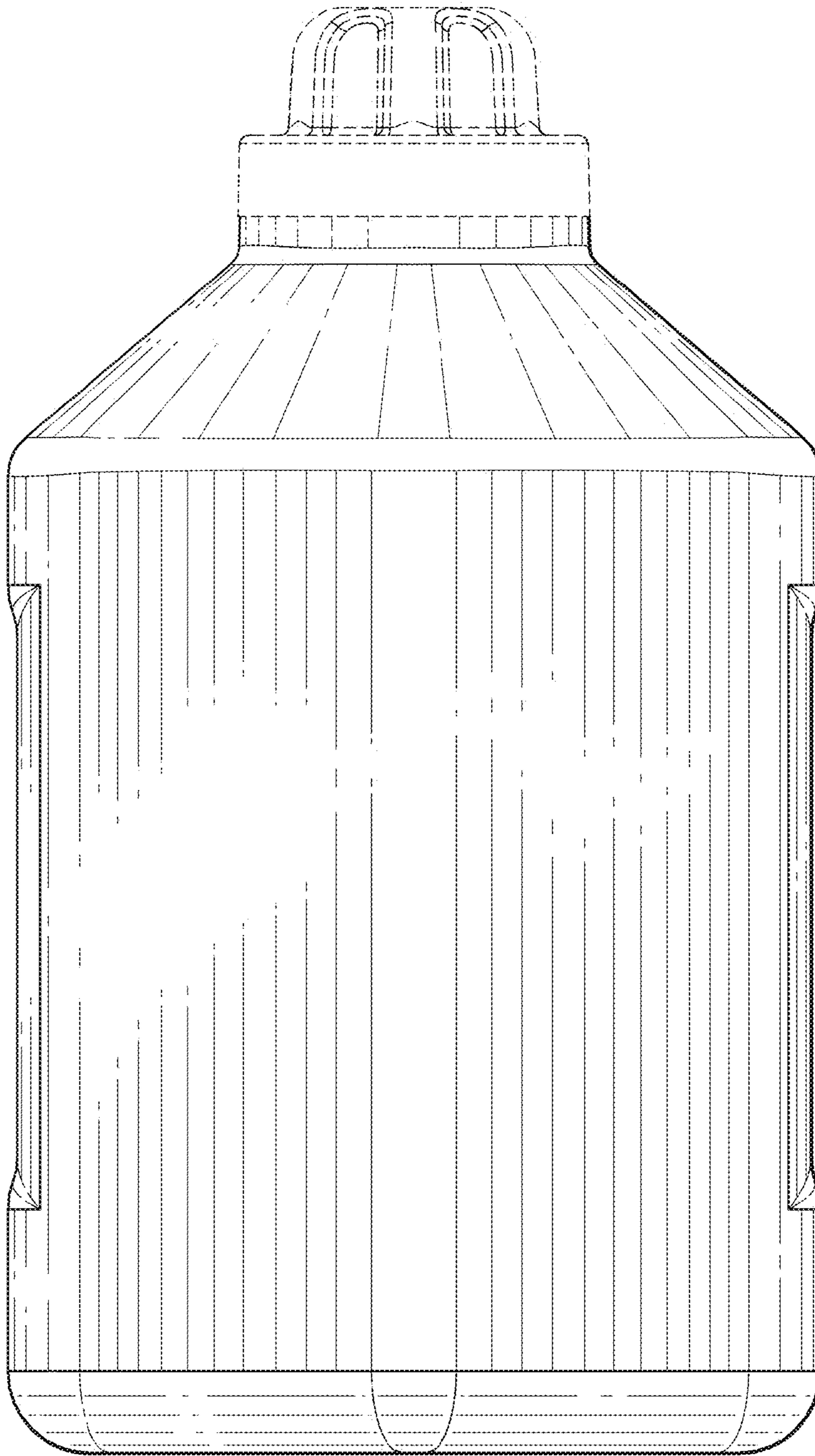


FIG. 2

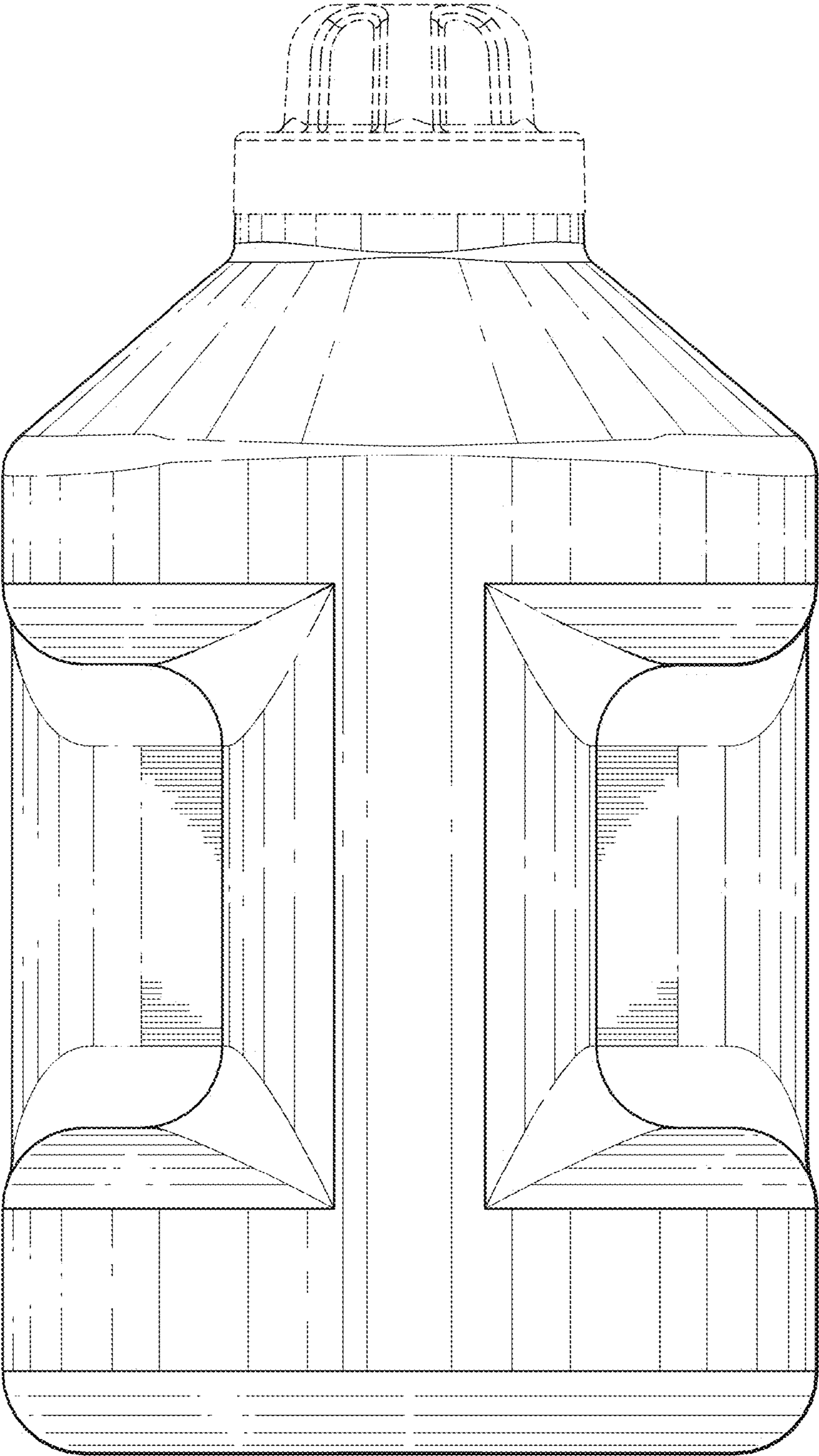


FIG. 3

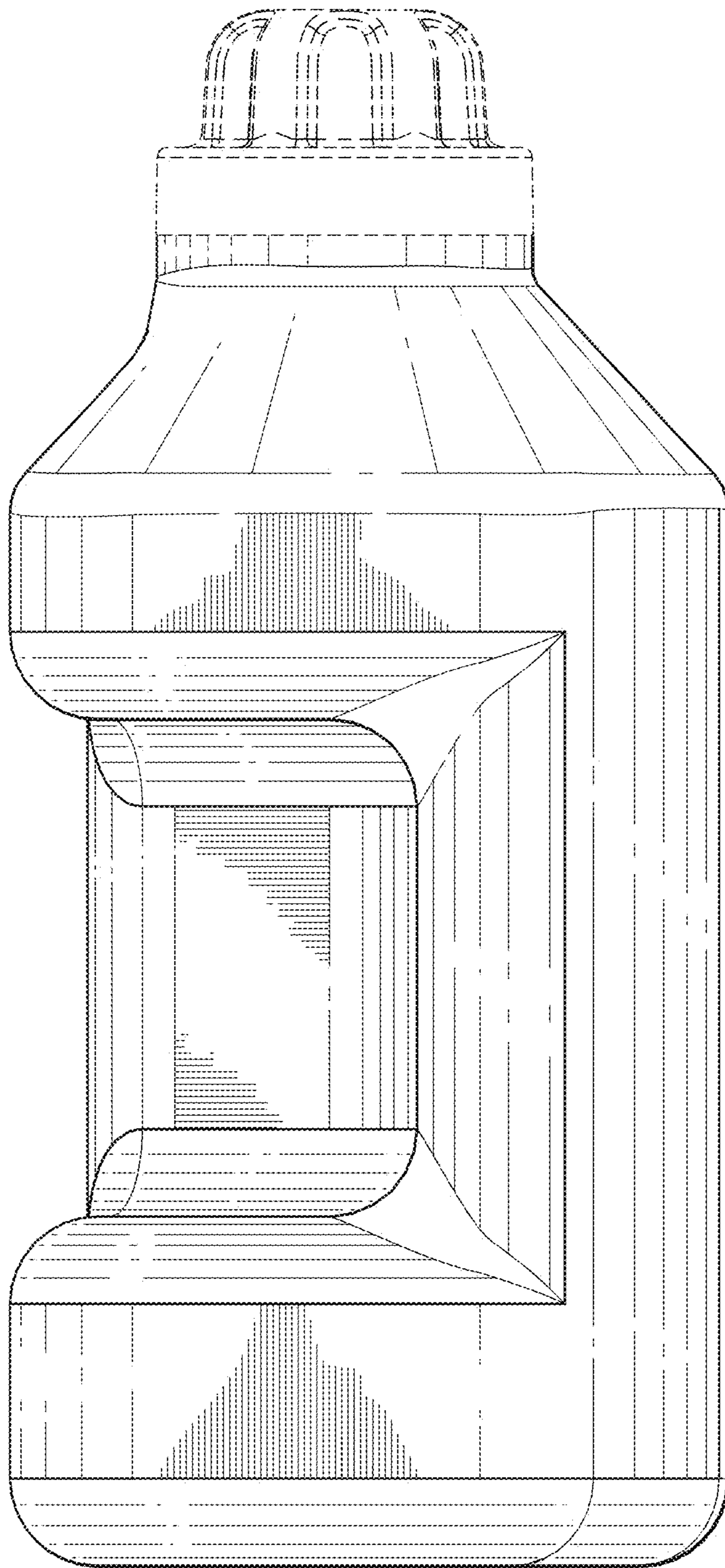


FIG. 4

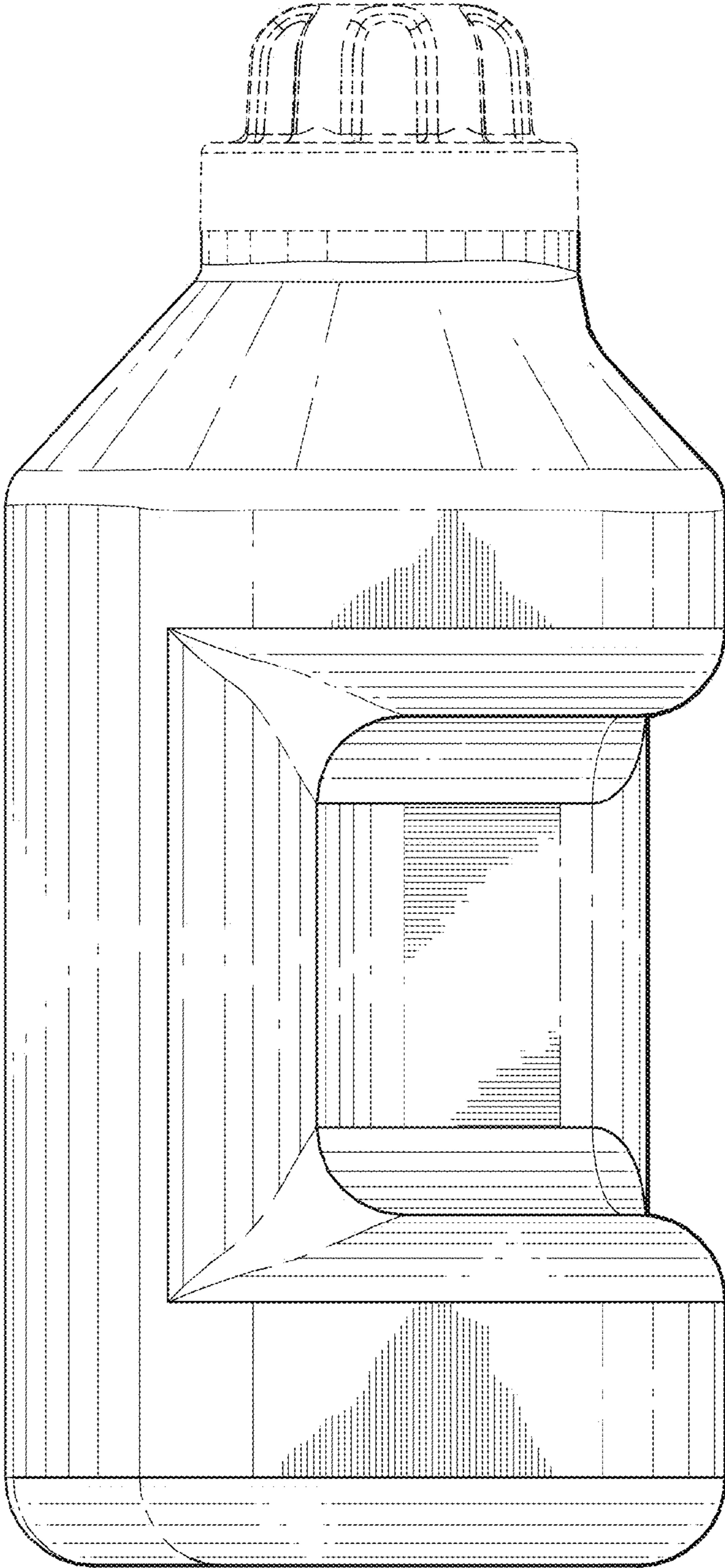


FIG. 5

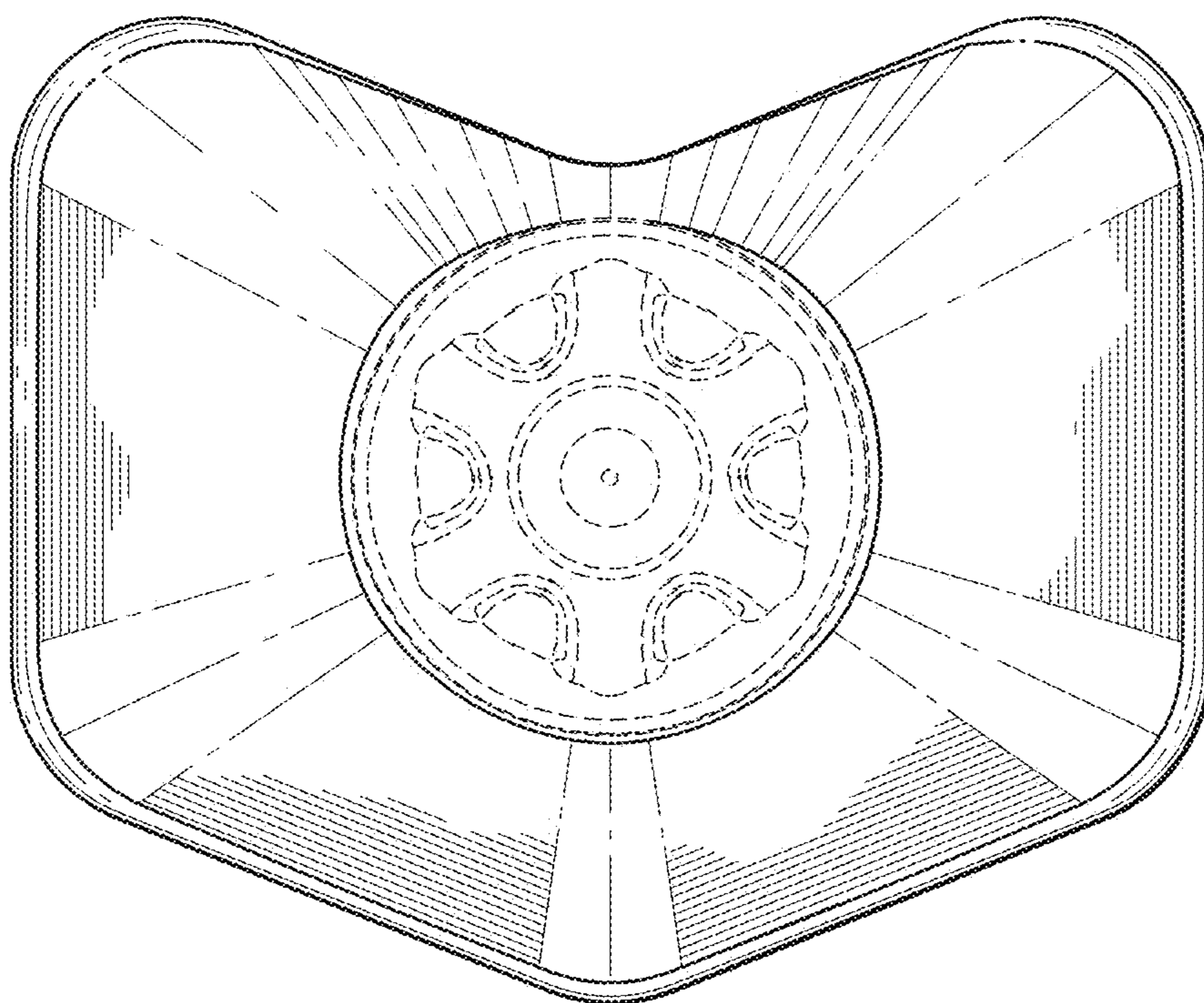


FIG. 6

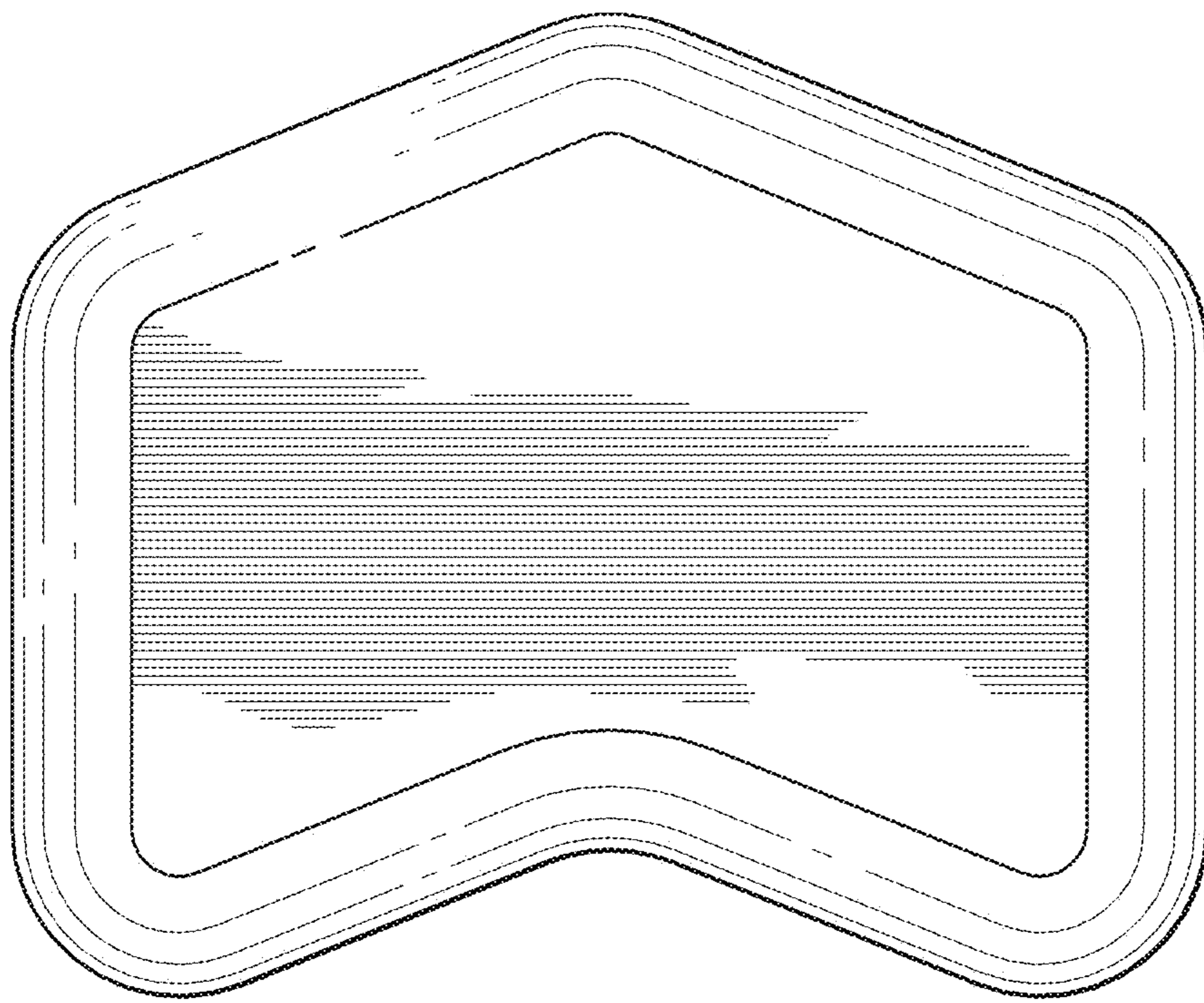


FIG. 7

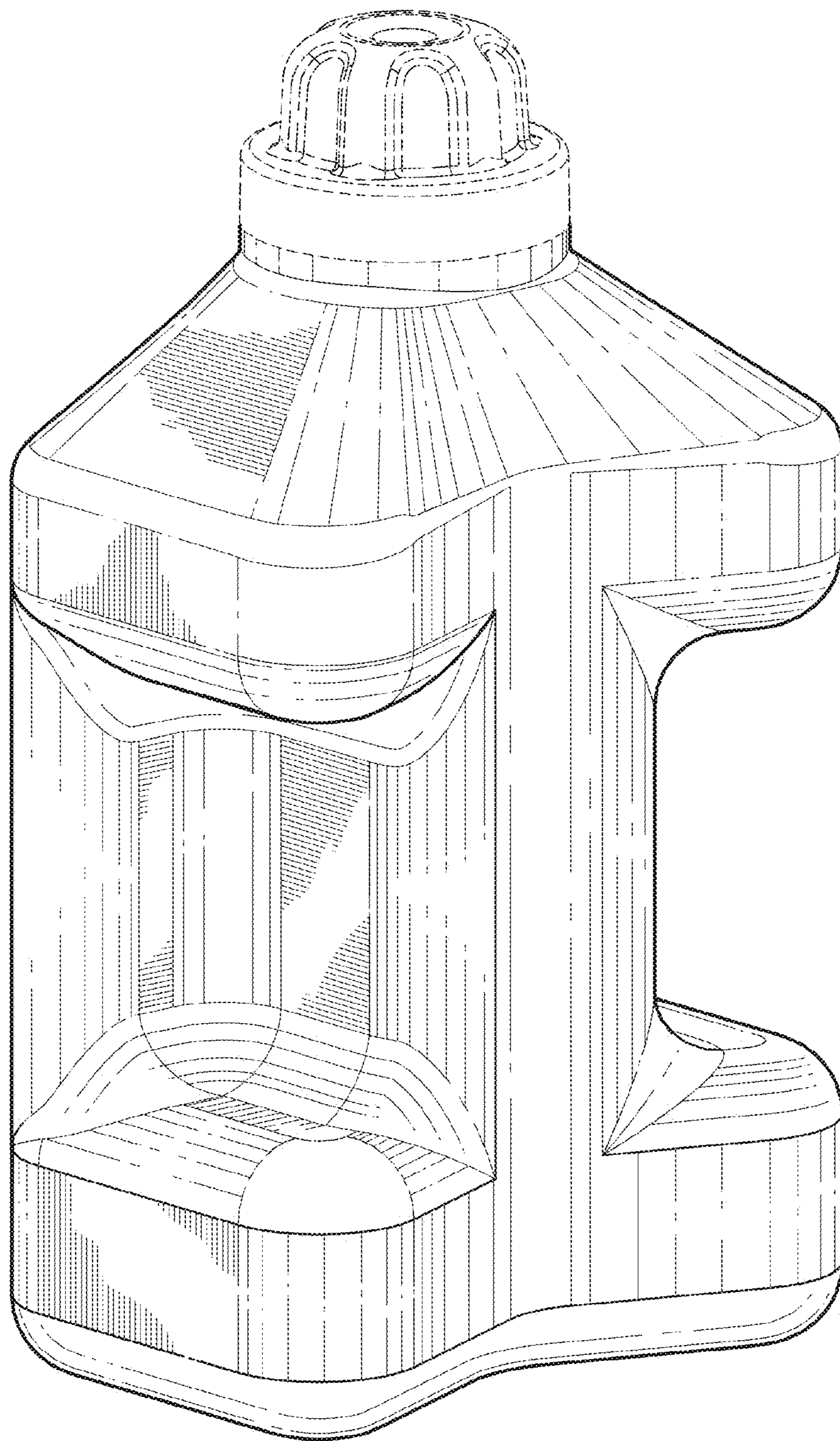


FIG. 8

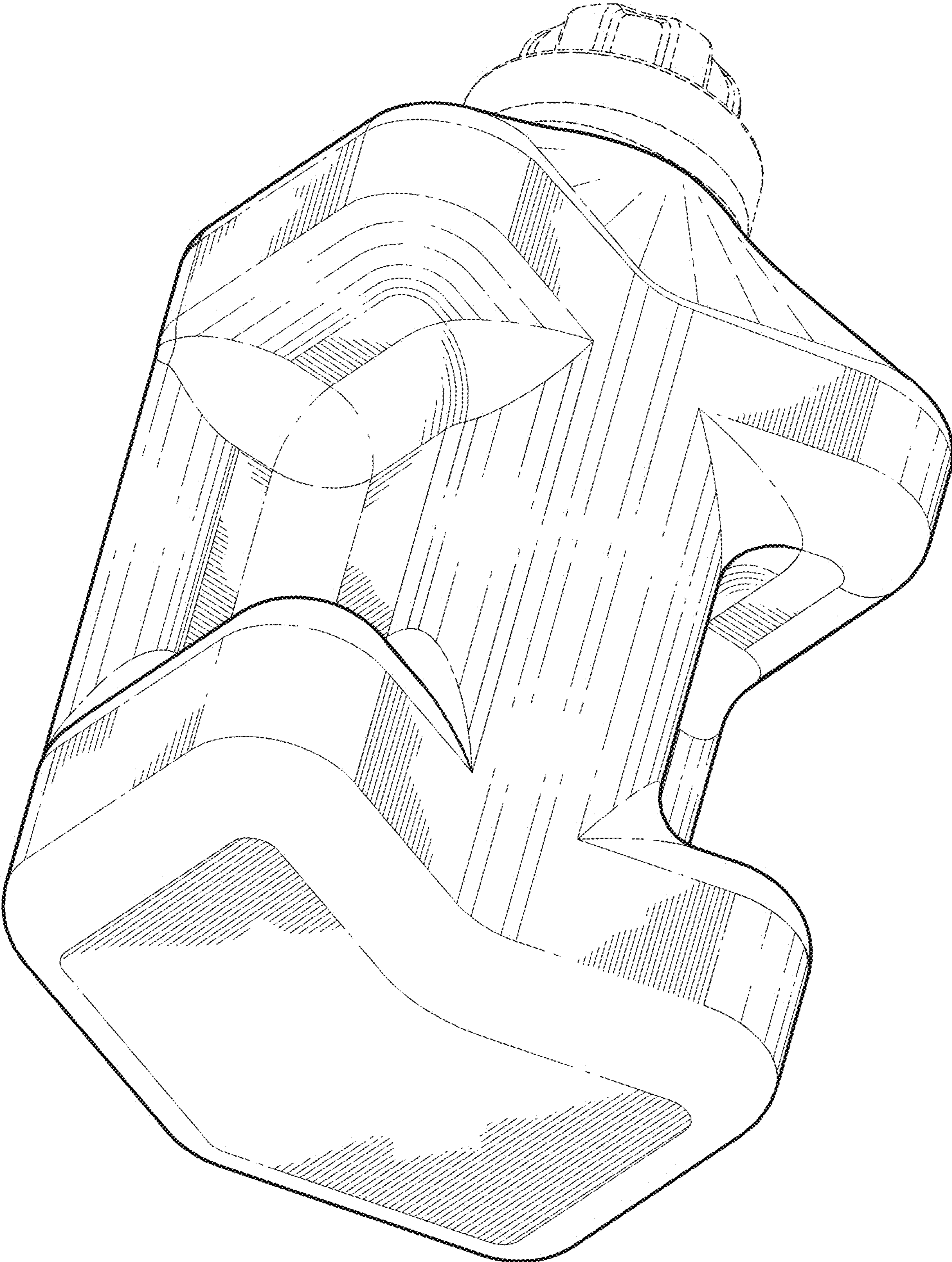


FIG. 9