



US00D705068S

(12) **United States Design Patent**
Janssen et al.

(10) **Patent No.:** **US D705,068 S**

(45) **Date of Patent:** **** May 20, 2014**

(54) **BOTTLE BOTTOM**

(71) Applicant: **Krones AG**, Neutraubling (DE)

(72) Inventors: **Timo Janssen**, Regensburg (DE);
Gerald Huettner, Vilseck (DE)

(73) Assignee: **Krones AG** (DE)

(**) Term: **14 Years**

(21) Appl. No.: **29/434,884**

(22) Filed: **Oct. 17, 2012**

(51) **LOC (10) Cl.** **09-01**

(52) **U.S. Cl.**
USPC **D9/516; D9/520**

(58) **Field of Classification Search**
USPC D9/516, 520, 530, 538, 541-543, 560,
D9/569-571, 573-575; 215/370-371, 373;
220/660, 604, 606, 608

See application file for complete search history.

(56) **References Cited**

U.S. PATENT DOCUMENTS

3,727,783	A	4/1973	Carmichael	315/1 C
D546,687	S *	7/2007	Boukobza	D9/516
D570,217	S *	6/2008	Meillerais	D9/520
7,416,088	B2 *	8/2008	Boukobza	215/373
D583,245	S *	12/2008	Lepoitevin	D9/538
D595,581	S *	7/2009	Brunson	D9/520
D600,559	S *	9/2009	Lepoitevin	D9/538
D601,903	S *	10/2009	Lepoitevin	D9/538
D606,410	S *	12/2009	Kissinger et al.	D9/516
D607,733	S *	1/2010	Lepoitevin	D9/538
D650,677	S *	12/2011	Wurster et al.	D9/516
2007/0262046	A1	11/2007	Zoppas	215/375
2010/0006533	A1	1/2010	Nievierowski et al.	215/381
2011/0309090	A1	12/2011	Derrien et al.	220/600
2013/0213925	A1 *	8/2013	Forsthoovel et al.	215/370

FOREIGN PATENT DOCUMENTS

DE	17 22 082	5/1956	
DE	2 160 085	6/1973 B65D 1/02
DE	106330	2/1975 B67C 3/06
DE	69825632	9/2005 B65D 1/02
DE	60202450	2/2006 B65D 1/02
DE	602004010814	12/2008 B65D 1/02
FR	2 753 435	3/1998 B65D 1/02
JP	6-270929	9/1994 B65D 1/02
JP	08072843	3/1996 B65D 1/02
WO	WO 2006/067590	6/2006 B65D 1/02
WO	WO 2008/017746	2/2008 B65D 1/02

OTHER PUBLICATIONS

European Search Report issued in corresponding European Patent Application Serial No. 09 170 284.0, dated Nov. 9, 2011 (2 pgs).

Chinese Office Action issued in corresponding Chinese Patent Application Serial No. 2009101755436, dated Mar. 5, 2012 (9 pgs).

US Official Action issued in corresponding U.S. Appl. No. 12/560,301, dated Aug. 3, 2012 (23 pgs).

US Official Action issued in corresponding U.S. Appl. No. 12/560,301 dated Feb. 8, 2013 (14 pgs).

(Continued)

Primary Examiner — Wan Laymon

(74) *Attorney, Agent, or Firm* — Hayes Soloway P.C.

(57) **CLAIM**

The ornamental design for a bottle bottom, as shown and described.

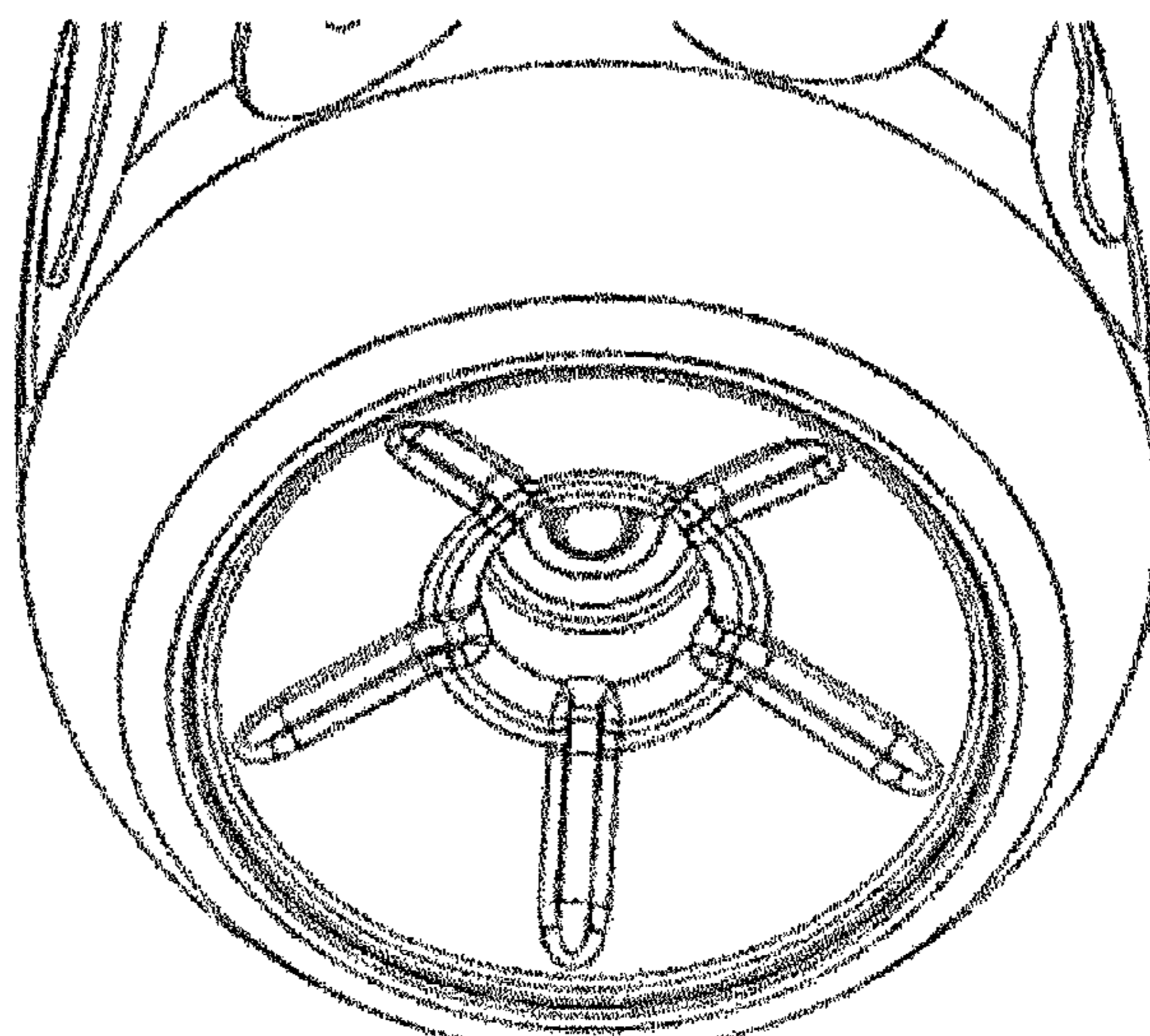
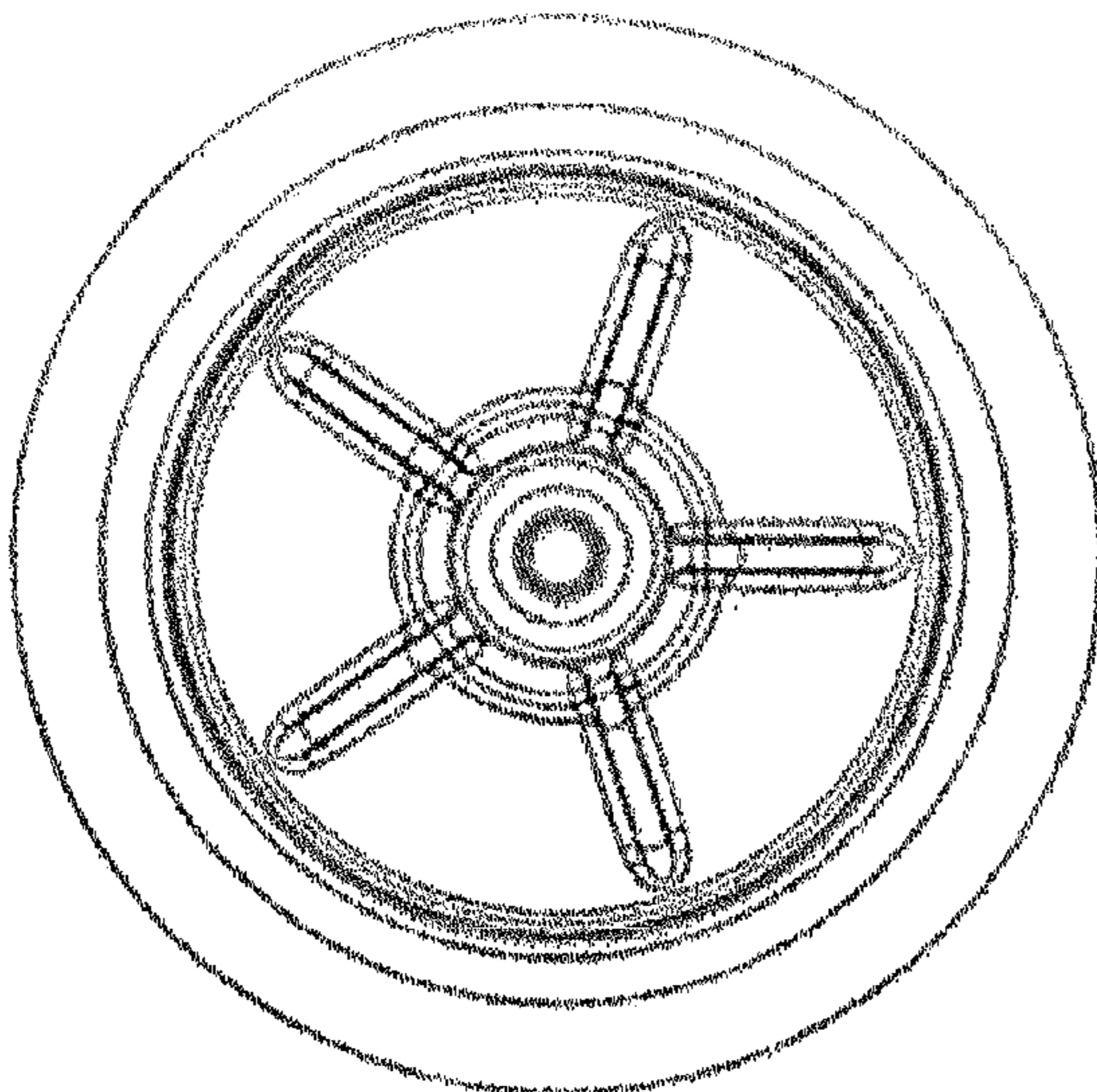
DESCRIPTION

FIG. 1 is a front view of a bottle bottom showing our design; and,

FIG. 2 is a side perspective view of the bottle bottom.

The broken lines are for illustrate purposes and form no part of the claimed design.

1 Claim, 1 Drawing Sheet



(56)

References Cited

OTHER PUBLICATIONS

U.S. Appl. No. 13/391,304, filed Jun. 28, 2013, Deyerl et al.
German Search Report issued in corresponding German Patent

Application Serial No. 10 2012 105 778.8 dated Mar. 20, 2013 (5 pgs).
Office Action issued in related U.S. Appl. No. 12/560,301 dated May 21, 2013 (14 pgs).

* cited by examiner

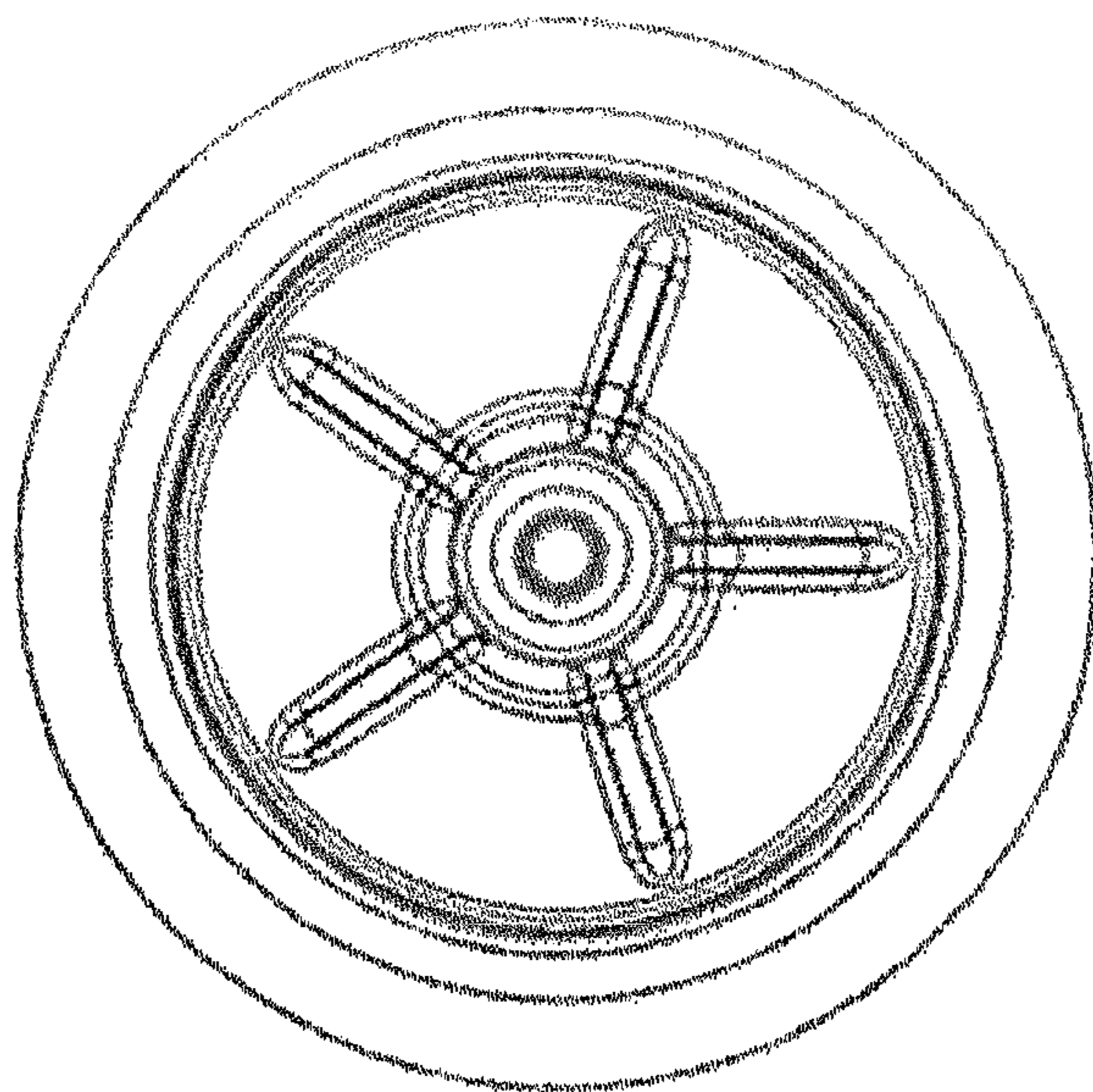


Fig. 1

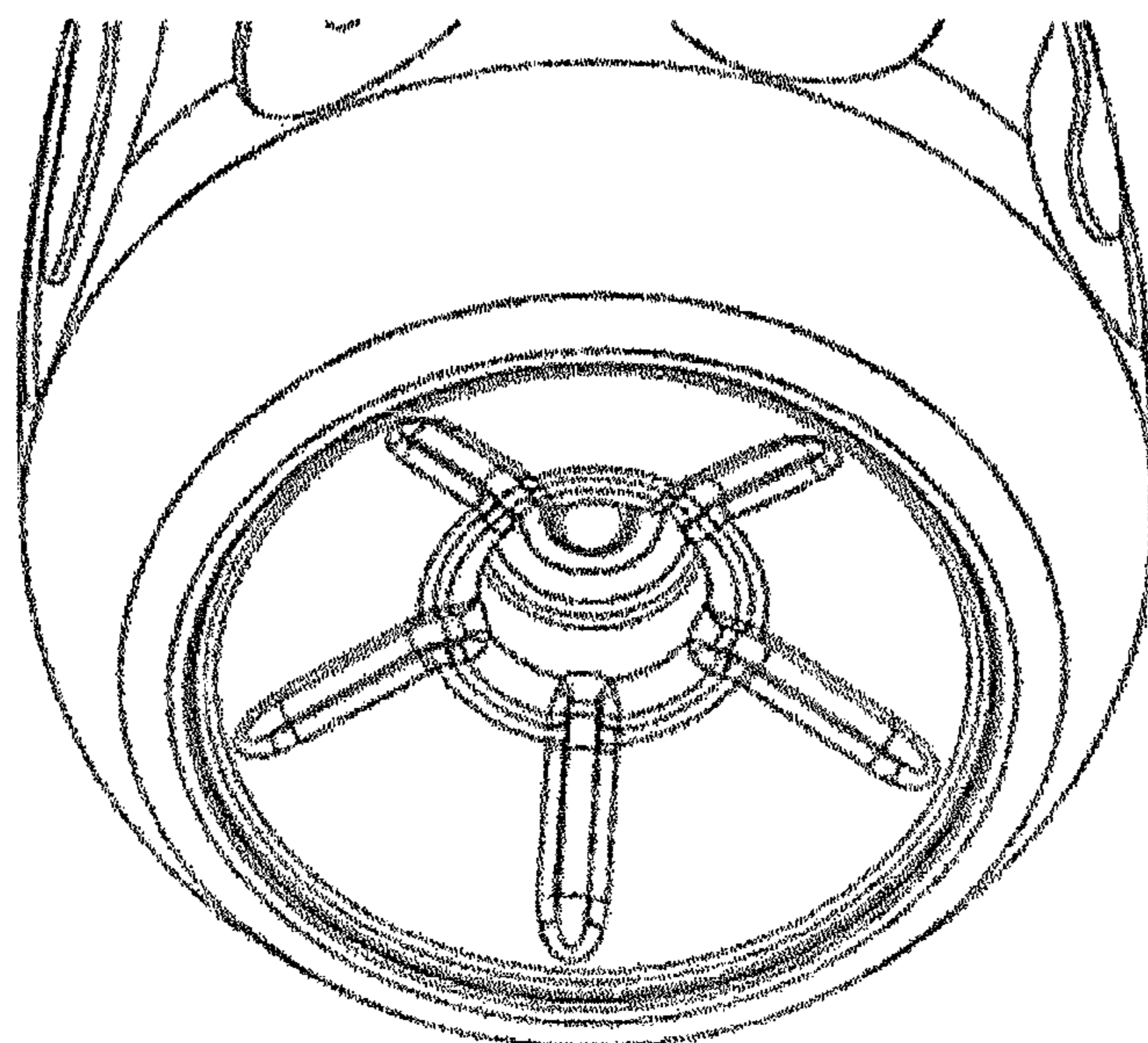


Fig. 2