



US00D705065S

(12) **United States Design Patent**  
**Egret**

(10) **Patent No.:** **US D705,065 S**

(45) **Date of Patent:** **\*\* May 20, 2014**

(54) **BOTTLE**

(71) Applicant: **Stephane Egret**, Brussels (BE)

(72) Inventor: **Stephane Egret**, Brussels (BE)

(73) Assignee: **The Coca-Cola Company**, Atlanta, GA (US)

(\*\*) Term: **14 Years**

(21) Appl. No.: **29/435,799**

(22) Filed: **Oct. 29, 2012**

(51) **LOC (10) Cl.** ..... **09-01**

(52) **U.S. Cl.**  
USPC ..... **D9/502; D9/539**

(58) **Field of Classification Search**  
USPC ..... D9/500, 502–505, 516, 537–540, 545, D9/549, 558, 682, 686, 688–691, 557, D9/562; 215/379, 381–384; 220/660, 220/669–673, 675

See application file for complete search history.

(56) **References Cited**

**U.S. PATENT DOCUMENTS**

D67,223 S *	5/1925	Miller	.....	D9/502
D71,919 S *	1/1927	Mas	.....	D9/502
D72,385 S *	4/1927	Patterson	.....	D9/502
D80,902 S *	4/1930	Mas	.....	D9/502
D274,697 S	7/1984	Venne		
D476,894 S	7/2003	Masotta et al.		
D506,135 S *	6/2005	Breier et al.	.....	D9/500
D538,658 S	3/2007	Horne et al.		
D544,349 S *	6/2007	Hyde et al.	.....	D9/500
D545,194 S	6/2007	Goudsblom		
D595,135 S	6/2009	Goetz		

D608,203 S *	1/2010	Yourist	.....	D9/502
D608,642 S	1/2010	Black		
D620,799 S	8/2010	Wingfiled et al.		
D621,709 S	8/2010	Minakuchi		
D633,793 S	3/2011	Reagan et al.		
D666,914 S	9/2012	Estow et al.		
D667,306 S *	9/2012	Verea	.....	D9/502
2010/0006533 A1 *	1/2010	Niewierowski et al.	.....	215/381

**FOREIGN PATENT DOCUMENTS**

EM	001152888	7/2009
EM	002257261	6/2013
WO	054348	12/2000
WO	DM/056391	* 6/2001
WO	062219	9/2002
WO	063333	4/2003
WO	065717	8/2004
WO	069063	7/2007

\* cited by examiner

*Primary Examiner* — Ian Simmons

*Assistant Examiner* — Dana L Meyrow

(74) *Attorney, Agent, or Firm* — Parks IP Law LLC; Collen A. Beard, Esq.

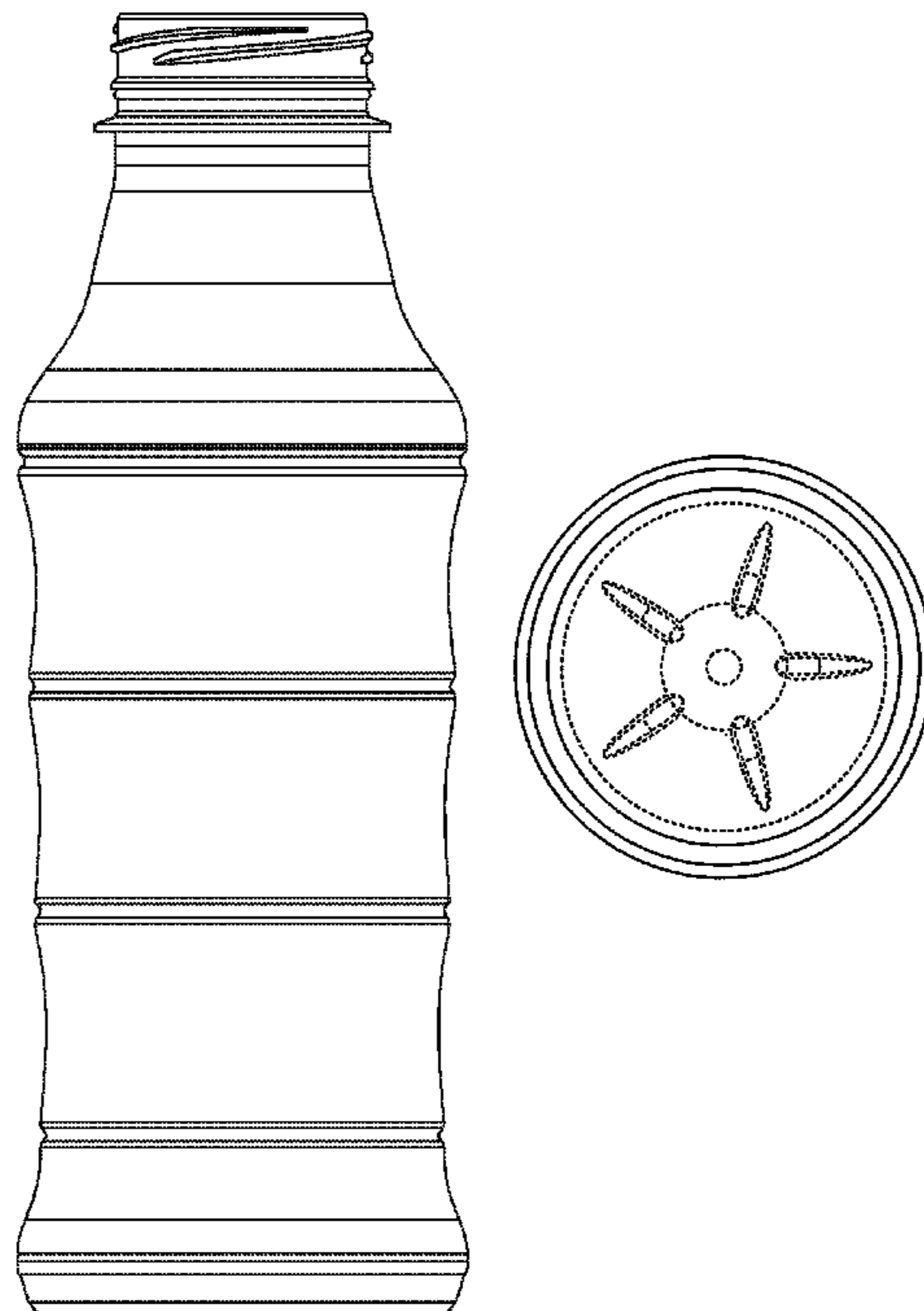
(57) **CLAIM**

I claim the ornamental design for a bottle, as shown and described.

**DESCRIPTION**

FIG. 1 is a perspective view of a bottle in accordance with my new design;  
FIG. 2 is a side elevation view thereof, the opposing side elevation view being identical; and,  
FIG. 3 is a bottom plan view thereof.  
The broken lines in the drawings are for illustrative purposes only and form no part of the claimed design.

**1 Claim, 3 Drawing Sheets**



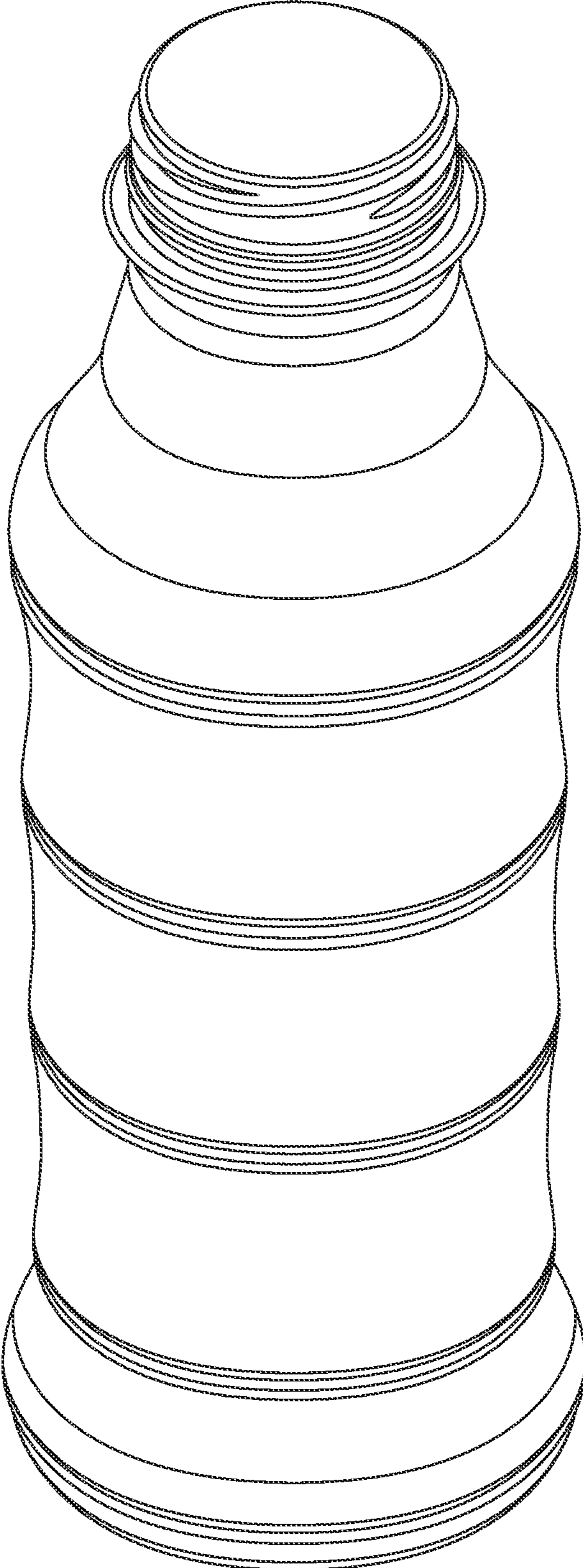


FIG. 1

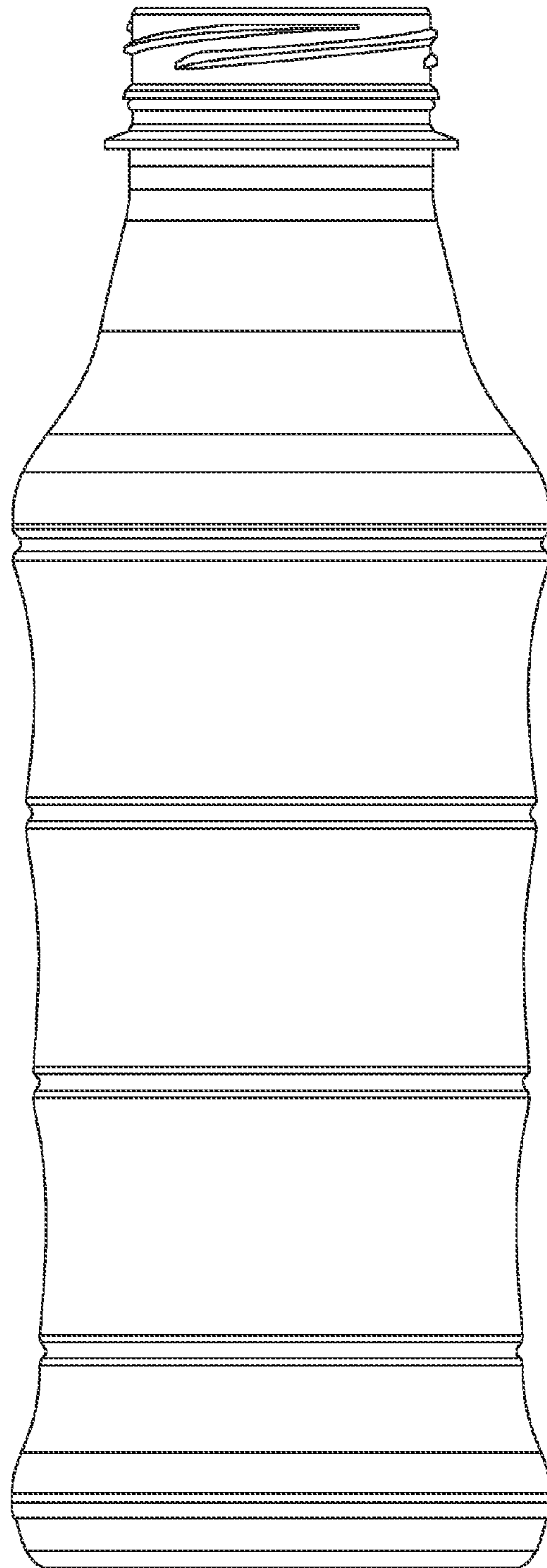


FIG. 2

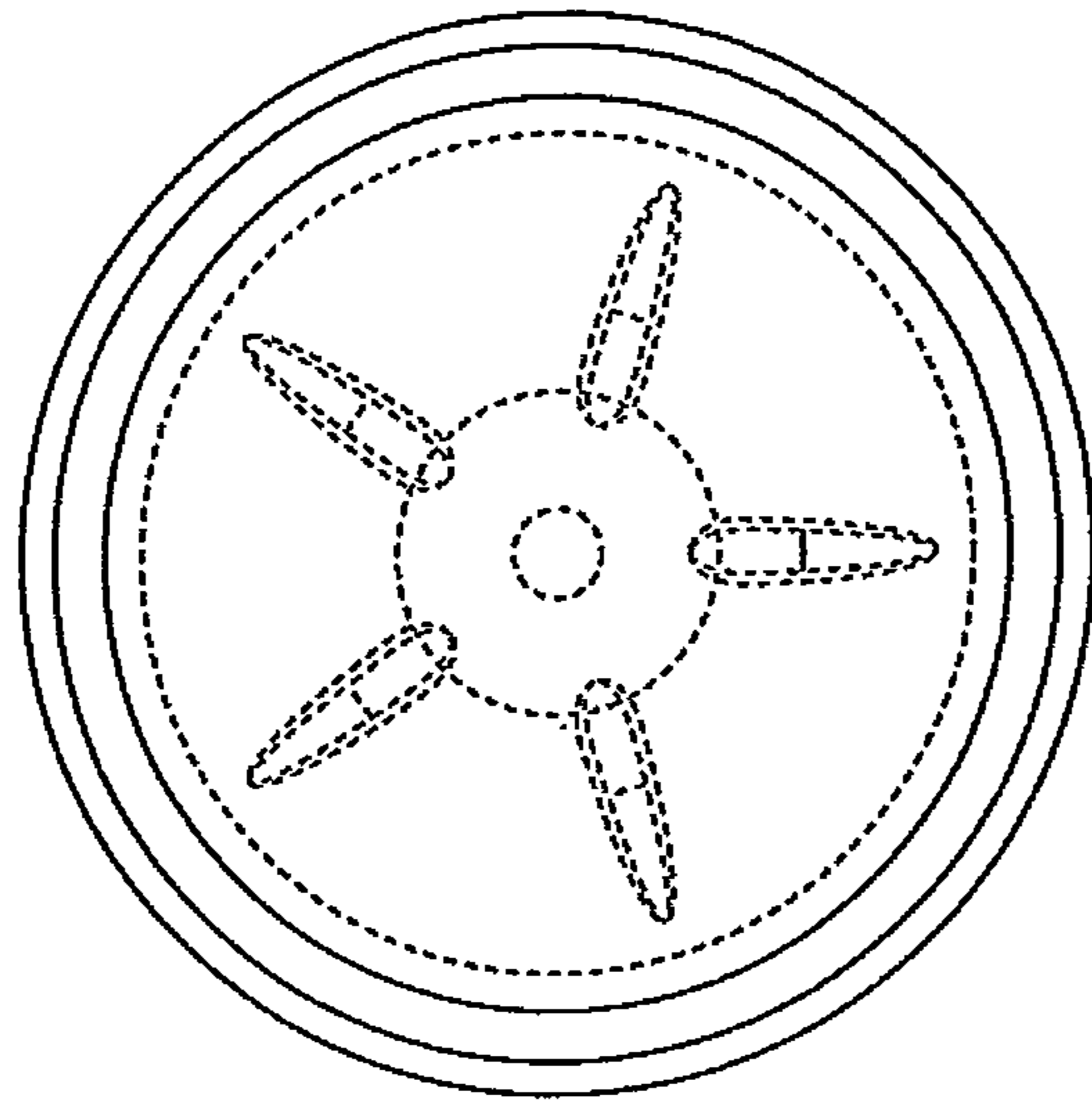


FIG. 3