



US00D705064S

(12) **United States Design Patent**  
Sy

(10) **Patent No.:** **US D705,064 S**

(45) **Date of Patent:** **\*\* May 20, 2014**

(54) **CUP**

(71) Applicant: **Conica Gift Trust**, Yorba Linda, CA (US)

(72) Inventor: **Michael Sy**, Yorba Linda, CA (US)

(73) Assignee: **Michael Sy**, Yorba Linda, CA (US)

(\*\*) Term: **14 Years**

(21) Appl. No.: **29/465,399**

(22) Filed: **Aug. 27, 2013**

(51) **LOC (10) Cl.** ..... **09-01**

(52) **U.S. Cl.**

USPC ..... **D9/500; D7/523; D11/154**

(58) **Field of Classification Search**

USPC ..... D9/416, 424, 428-429, 500, 503-505, D9/516, 530, 537-540, 549, 558, D9/776-779; D7/509, 523, 540, 562, 584, D7/300, 601-603, 615, 630, 635, 638, 640, D7/400; D11/143-144, 152-154; D26/6, D26/9-11, 20, 22; D34/1-2; 99/279, 295, 99/323; 206/423, 499, 503-504; 426/77-79, 84, 433; 215/379, 215/381-384; 220/592.16, 592.17, 592.2, 220/660, 669-673, 675, 908

See application file for complete search history.

(56) **References Cited**

**U.S. PATENT DOCUMENTS**

2,012,113	A	*	8/1935	Thompson	.....	215/363
D221,135	S	*	7/1971	Schorer et al.	.....	D7/531
D239,193	S	*	3/1976	Daenen et al.	.....	D11/154
D244,415	S	*	5/1977	Daenen	.....	D7/584
D254,831	S	*	4/1980	Smith	.....	D7/540
D257,315	S	*	10/1980	Keon	.....	D7/615
D291,659	S	*	9/1987	Powell	.....	D9/414
D335,382	S	*	5/1993	O'Brien	.....	D99/25
D368,234	S		3/1996	Dickinson et al.		

D394,416	S		5/1998	Grosfillex		
D399,451	S	*	10/1998	Durbin	.....	D11/152
D409,945	S	*	5/1999	Hensen	.....	D11/152
D409,946	S		5/1999	Hensen		
D416,445	S	*	11/1999	Henry	.....	D7/545
D426,160	S	*	6/2000	Lindsay et al.	.....	D9/500
D429,150	S	*	8/2000	Lindsay et al.	.....	D9/425
D453,094	S	*	1/2002	Maggard et al.	.....	D7/584
D460,020	S		7/2002	Fan		
D468,590	S	*	1/2003	Jalet et al.	.....	D7/586
D483,690	S		12/2003	Sieverding		
D485,510	S		1/2004	Fan		
D491,019	S	*	6/2004	Marsden et al.	.....	D7/523
D519,322	S	*	4/2006	Hutton	.....	D7/523
D526,848	S	*	8/2006	Bodum	.....	D7/523

(Continued)

**OTHER PUBLICATIONS**

Better Interiors, LED Ice Bucket from Party Hunterz, accessed Aug. 27, 2013; <http://www.betterinteriors.in/party-hunterz/1602/>, 3 pages.

(Continued)

*Primary Examiner* — Ian Simmons  
*Assistant Examiner* — Dana L Meyrow  
(74) *Attorney, Agent, or Firm* — Maschoff Brennan

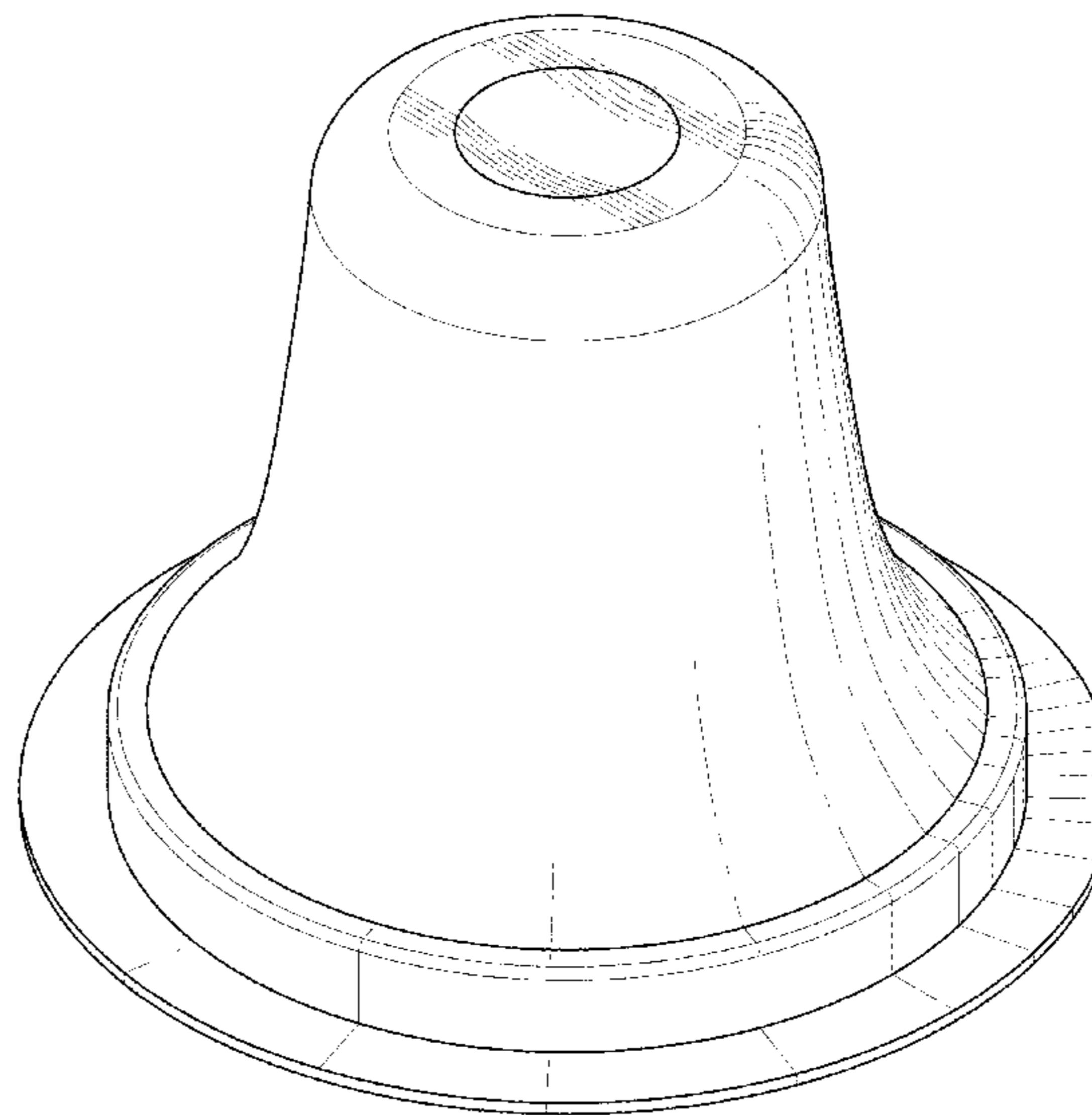
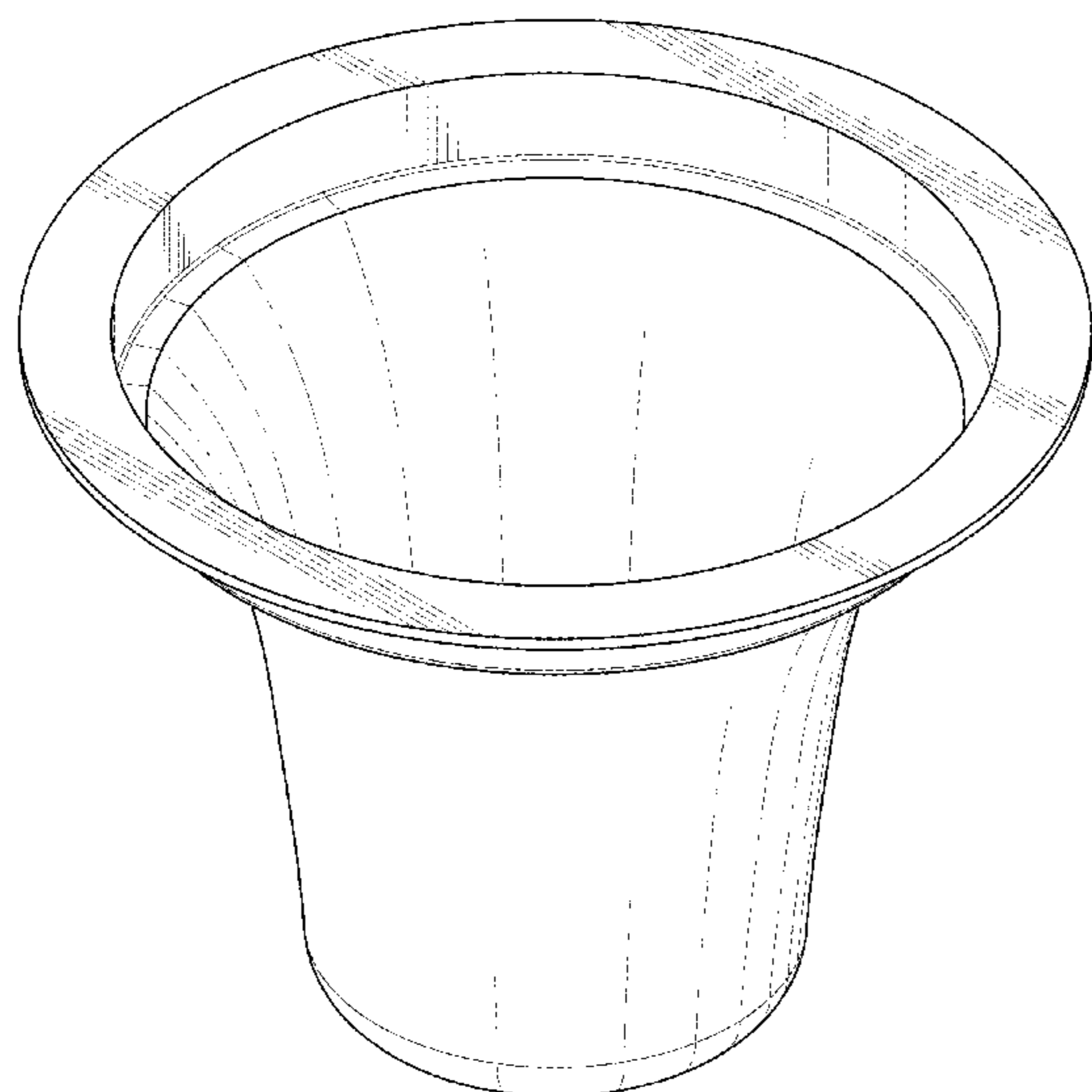
(57) **CLAIM**

I claim the ornamental design for a cup, as shown and described.

**DESCRIPTION**

FIG. 1 is a upper perspective view of an embodiment of the cup;  
FIG. 2 is a lower perspective view of the cup;  
FIG. 3 is a side view of the cup, with the opposite side being a mirror image thereof;  
FIG. 4 is a top view of the cup; and,  
FIG. 5 is a bottom view of the cup.

**1 Claim, 5 Drawing Sheets**



(56)

References Cited

U.S. PATENT DOCUMENTS

D536,769 S	2/2007	Lanius	
D539,392 S	3/2007	Hood	
D543,326 S *	5/2007	Dretzka .....	D34/1
D544,813 S	6/2007	Schmidt	
D564,393 S	3/2008	Schmidt	
D564,394 S	3/2008	Schmidt	
D572,133 S *	7/2008	Wilson et al. ....	D9/500
D594,775 S	6/2009	Moreau	
D606,363 S *	12/2009	Aardenburg .....	D7/400
D611,384 S	3/2010	Biegel	
D619,923 S	7/2010	Rundle	
D624,416 S *	9/2010	Mussumeci et al. ....	D9/500
D629,683 S *	12/2010	Fang .....	D9/429
D639,706 S	6/2011	Orschulik	
D644,924 S *	9/2011	Lin .....	D9/429
D652,266 S *	1/2012	Smyers .....	D7/630
D684,459 S *	6/2013	Stowe et al. ....	D9/428
D685,263 S *	7/2013	Danenberg .....	D9/428
D692,760 S *	11/2013	Rapparini .....	D9/500

OTHER PUBLICATIONS

Best Plast, Unbreakable Tubs, accessed Aug. 27, 2013; <http://www.indiamart.com/bestplast/unbreakable-tubs.html>, 3 pages.

Weiku.com, Plastic Feed Tub accessed Aug. 27, 2013; <http://www.weiku.com/products-image/9263059/plastic-feed-tub.html>, 1 page.

Baby Meet World LLC, Original Tummy Tub European Baby Bath—Green Tint, accessed Aug. 27, 2013; <http://www.babymeetworld.com/tummytub-green.html>, 2 pages.

Baby Meet World LLC, Original Tummy Tub—Discounted Floor Display, accessed Aug. 27, 2013; <http://www.babymeetworld.com/tummytub-discounted.html>, 1 page.

Wilko.com—Get Growing Plant Pot, accessed Aug. 27, 2013; <http://www.wilko.com/search?q=get+growing+plant+pot>, 8 pages.

IKEA Japan, Fotblad, accessed Aug. 27, 2013; accessed Aug. 27, 2013; <http://www.ikea.com/jp/ja/catalog/products/00231289/>, 2 pages.

Lunex, Primavera Plant Pot, 25 cm Round—511, accessed Aug. 27, 2013; <http://www.secure.lunex.co.uk/shop/gardening/511.html>, 1 page.

The Garden Superstore, 25cm Plastic Hanging Plant Pots, accessed Aug. 27, 2013; <http://www.thegardensuperstore.co.uk/acatalog/25cm-Plastic-Hanging-Plant-Pots-TCA25.html#.UgySfdJHI74>, 4 pages.

Wuhan Huali Environmental Technology Co., Ltd., Biodegradable Disposable Plastic Plant Pot, accessed Aug. 27, 2013; [http://psm.en.alibaba.com/product/479270343-210106550/Biodegradable\\_disposable\\_plastic\\_plant\\_pot.html](http://psm.en.alibaba.com/product/479270343-210106550/Biodegradable_disposable_plastic_plant_pot.html), 4 pages.

The Garden Superstore, Plant Pots—Coloured, accessed Aug. 27, 2013; <http://www.thegardensuperstore.co.uk/acatalog/9cm-Round-Green-Plant-Pots.html#.UgyS-NJHI74>, 4 pages.

The Telegraph, Kerb Appeal: Five of the Best for the Front Door, accessed Aug. 27, 2013; <http://www.telegraph.co.uk/property/propertypicturegalleries/8001894/Kerb-appeal-Five-of-the-best-for-the-front-door.html?image=2>, 2 pages.

Jinxiu Plastic Flower Pot Factory; Plastic Flowerpot Beautiful Garden Pot (2500-2507), accessed Aug. 27, 2013; <http://wljinxiu.en.made-in-china.com/product/sK0mwXjcMjKx/China-Plastic-Fiowerpot-Plant-Pot-Beautiful-Garden-Pot-2500-2507-.html>, 2 pages.

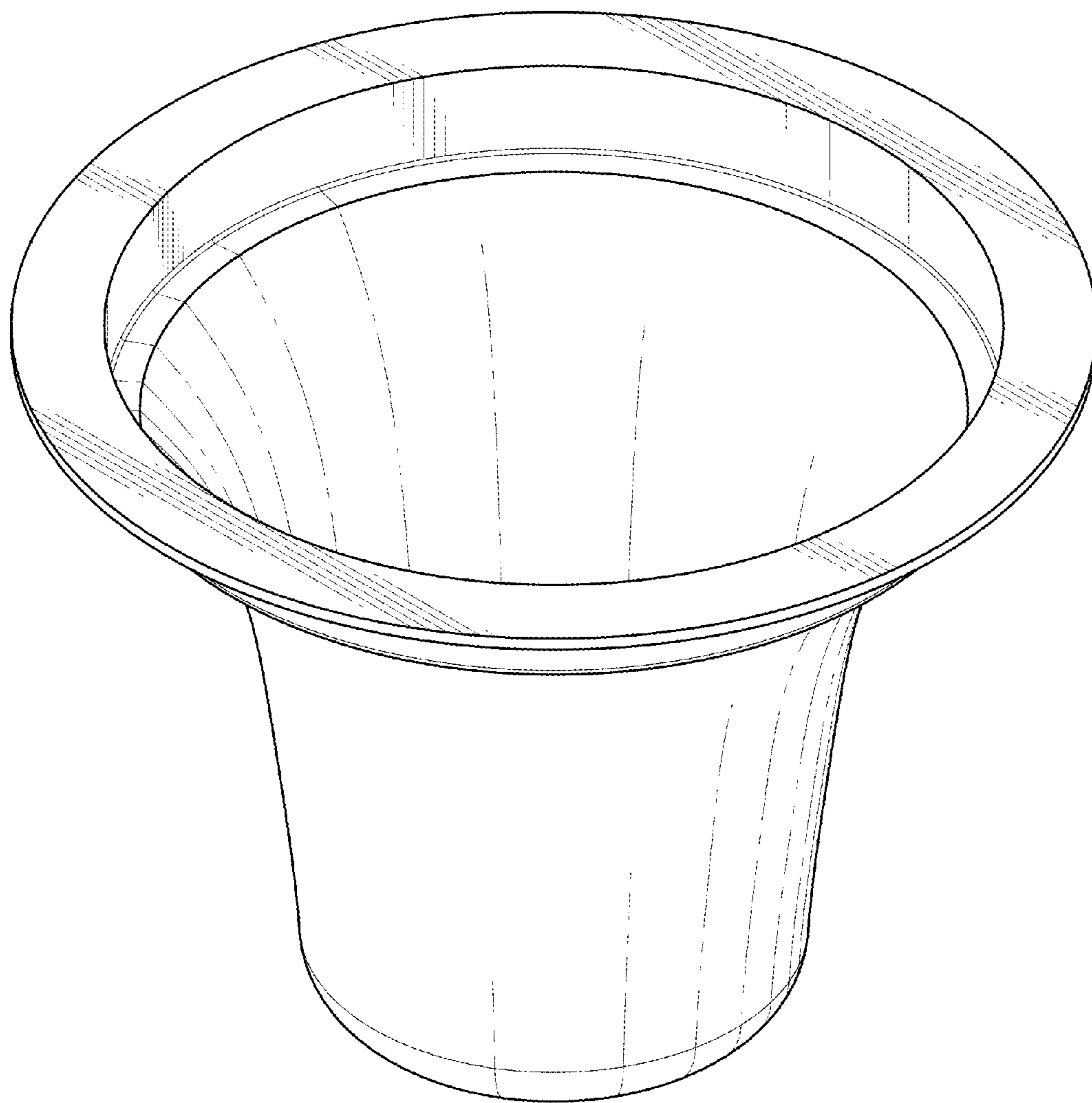
Gardentoolbox, Elho Green Basics Bowl Plant Pot 33cm Mild Terra, accessed Aug. 27, 2013; <http://www.gardentoolbox.co.uk/elho-green-basics-bowl-plant-16959-133633>, 2 pages.

Gardentoolbox, Elho Green Basics Cilinder Garden Plant Pot 4 cm Living, accessed Aug. 27, 2013; <http://www.gardentoolbox.co.uk/elho-green-basics-cilinder-16959-133578>, 2 pages.

Gardentoolbox, Elho Torino Plant Bowl—Anthracite 30 cm, accessed Aug. 27, 2013; <http://www.gardentoolbox.co.uk/elho-torino-plant-bowl-16959-133263>.

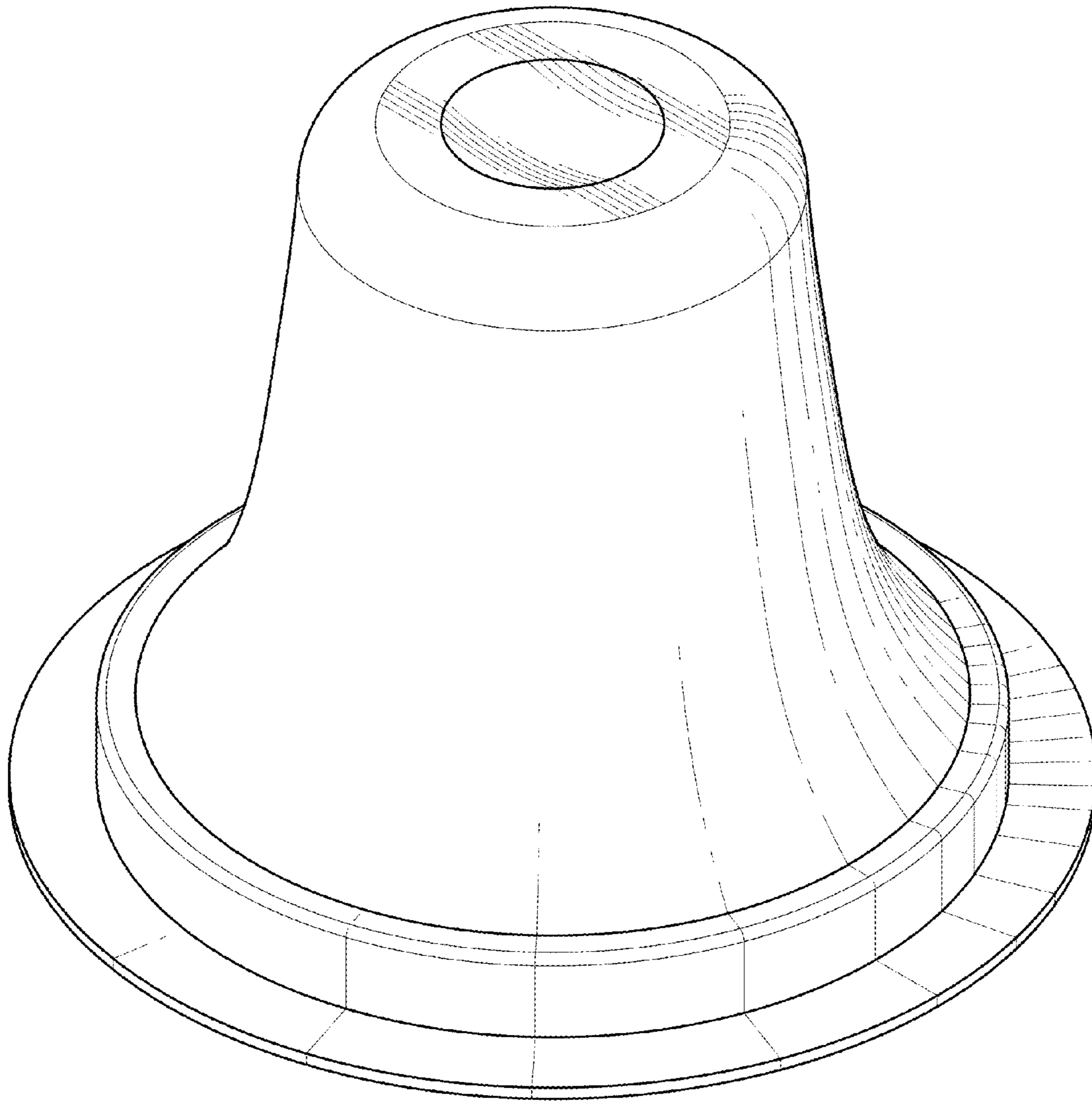
Growrite, Thermo-Formed Pots, assessed Aug. 27, 2013; <http://www.growrite.co.za/223/thermo-formed-pots/>, 2 pages.

\* cited by examiner

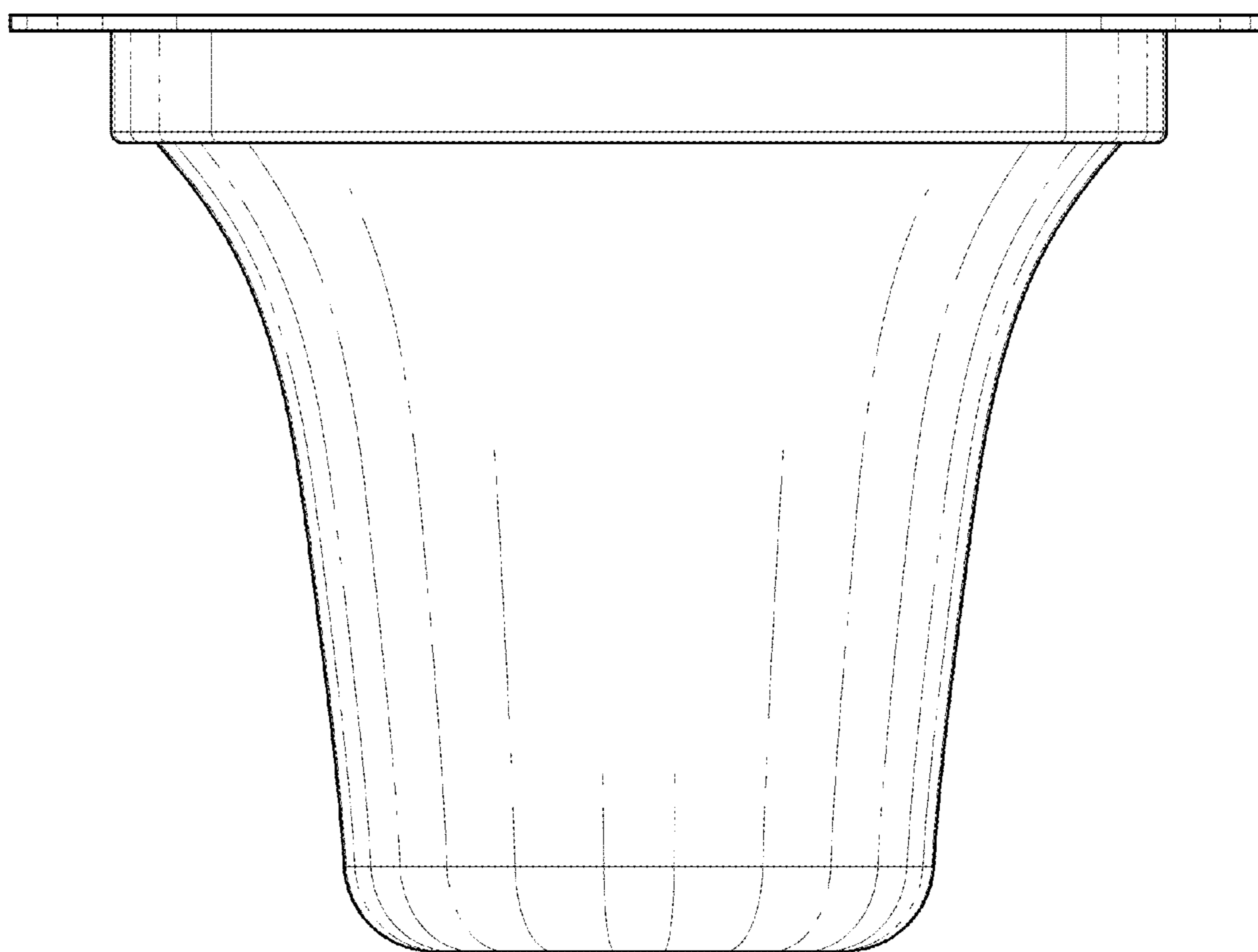


**Fig. 1**

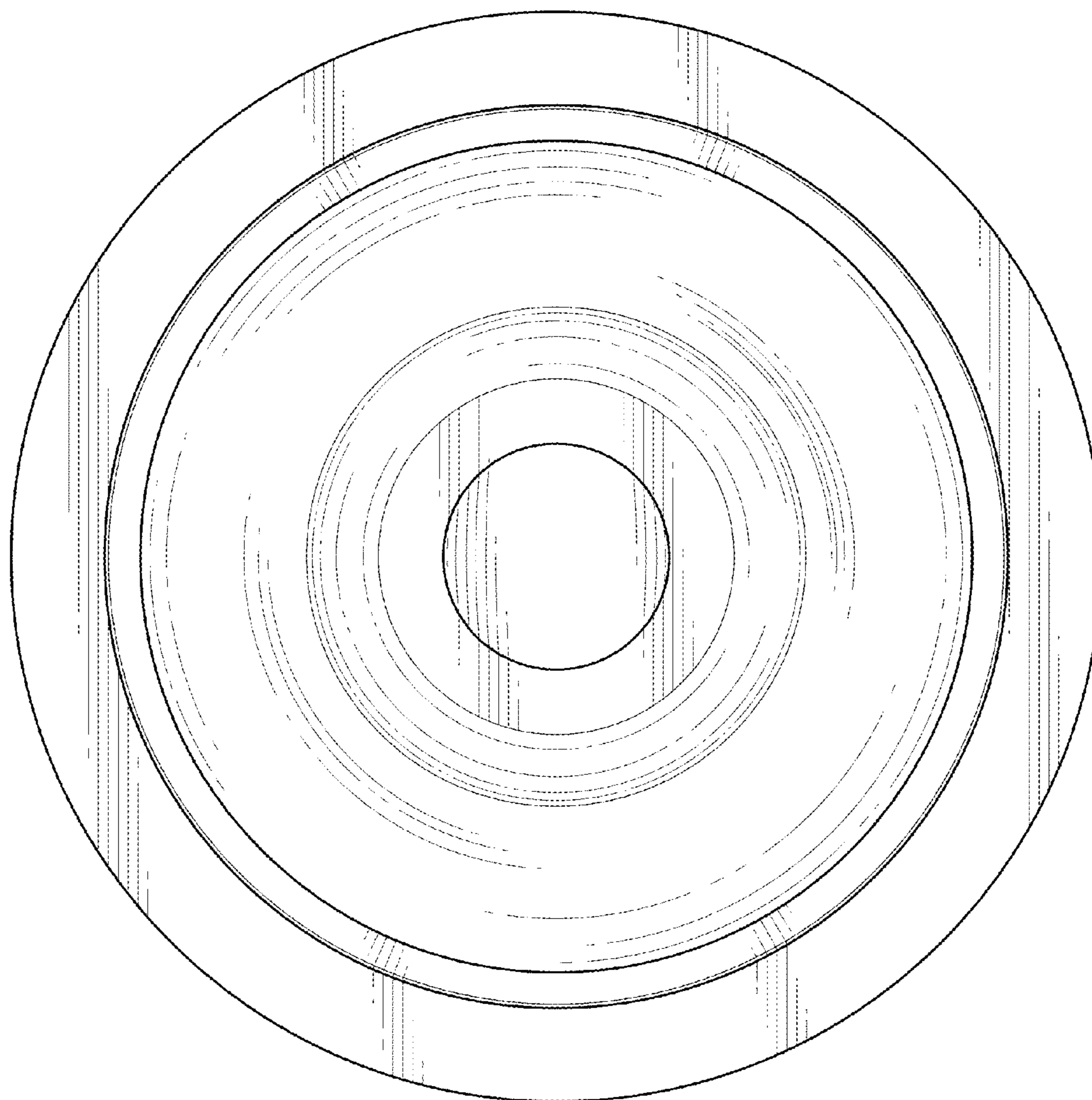




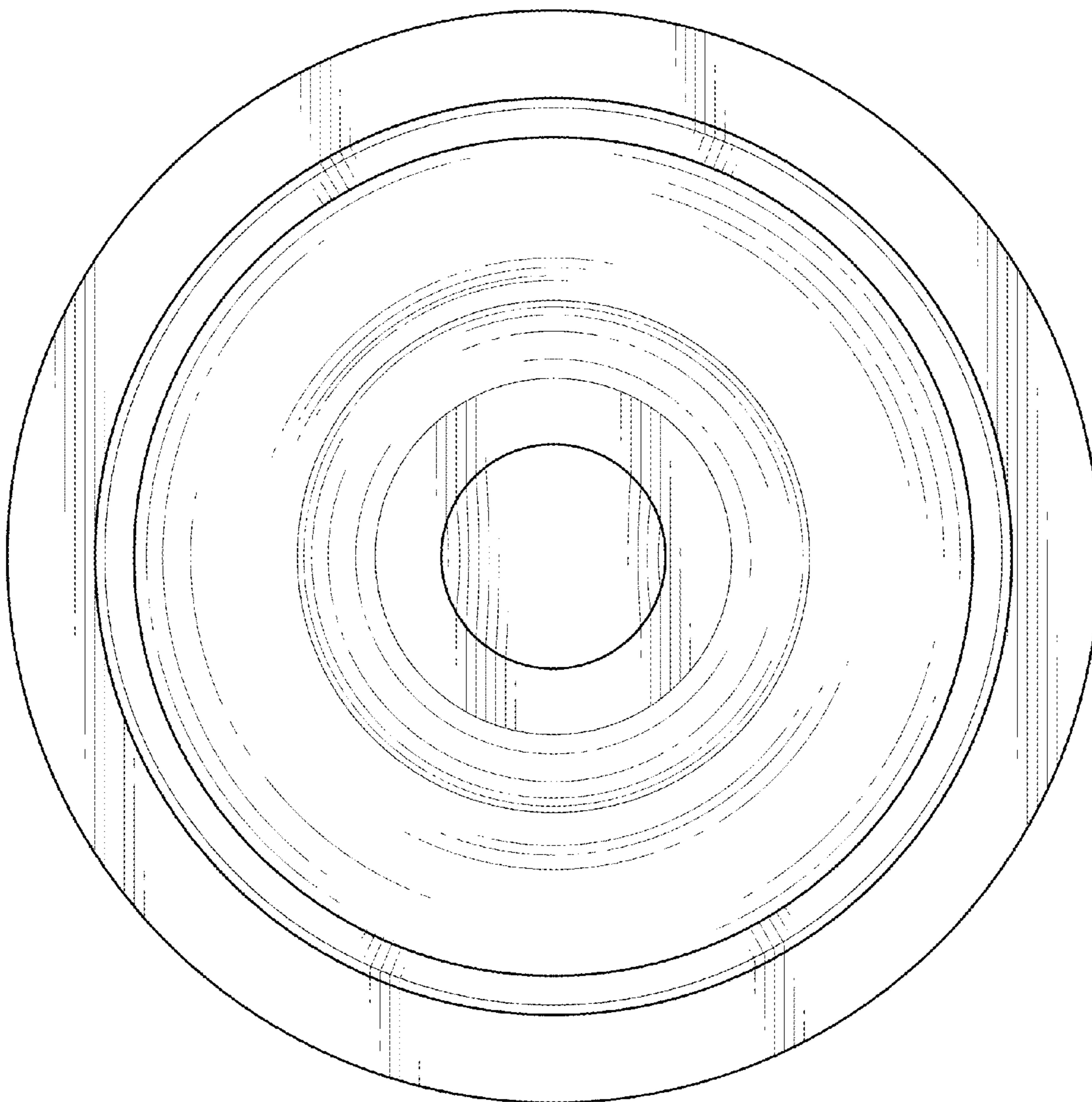
**Fig. 2**



**Fig. 3**



*Fig. 4*



**Fig. 5**