



US00D705062S

(12) **United States Design Patent**  
**Jo et al.**

(10) **Patent No.:** **US D705,062 S**  
(45) **Date of Patent:** **\*\* May 20, 2014**

- (54) **SPOUT CAP**
- (71) Applicants: **Byung-chul Jo**, Seoul (KR);  
**Byung-kwon Cho**, Seoul (KR);  
**Byung-gu Cho**, Seoul (KR)
- (72) Inventors: **Byung-chul Jo**, Seoul (KR);  
**Byung-kwon Cho**, Seoul (KR);  
**Byung-gu Cho**, Seoul (KR)
- (73) Assignees: **Harvest Charmfoods Co., Ltd.**, Anyang (KR); **Krauzen Co., Ltd.**, Seoul (KR)
- (\*\*) Term: **14 Years**
- (21) Appl. No.: **29/440,437**
- (22) Filed: **Dec. 21, 2012**
- (51) **LOC (10) Cl.** ..... **09-07**
- (52) **U.S. Cl.**  
USPC ..... **D9/453; D9/452; D9/435**
- (58) **Field of Classification Search**  
USPC ..... D9/434, 435, 440, 447, 705, 707-710,  
D9/451-454; D7/387, 392, 392.1;  
222/567.569-572; 220/288, 711, 714,  
220/717; 215/252  
See application file for complete search history.

D604,613 S *	11/2009	Garboni .....	D9/454
D617,187 S *	6/2010	Murray .....	D9/435
D681,460 S *	5/2013	Kim .....	D9/452
D682,688 S *	5/2013	Murray .....	D9/435
D682,694 S *	5/2013	van den Hoonaard .....	D9/451
D684,055 S *	6/2013	Kwon .....	D9/452
D684,056 S *	6/2013	Kwon .....	D9/452
D684,057 S *	6/2013	Kwon .....	D9/453
D684,058 S *	6/2013	Kwon .....	D9/453
D686,495 S *	7/2013	Murray .....	D9/435
D687,719 S *	8/2013	Last .....	D9/709

\* cited by examiner

*Primary Examiner* — Eric Goodman

*Assistant Examiner* — Brett Miller

(74) *Attorney, Agent, or Firm* — Staas & Halsey LLP

(57) **CLAIM**

The ornamental design for a spout cap, as shown and described.

**DESCRIPTION**

FIG. 1 is a top perspective view of a spout cap of the present invention.  
 FIG. 2 is a bottom perspective view thereof;  
 FIG. 3 is a front elevational view thereof;  
 FIG. 4 is a rear elevational view thereof;  
 FIG. 5 is a left side elevational view thereof;  
 FIG. 6 is a right side elevational view thereof;  
 FIG. 7 is a top plan view thereof; and,  
 FIG. 8 is a bottom plan view thereof.

**1 Claim, 8 Drawing Sheets**

- (56) **References Cited**  
U.S. PATENT DOCUMENTS  
D445,679 S \* 7/2001 Malmberg ..... D9/434  
D547,657 S \* 7/2007 Tacchella ..... D9/454

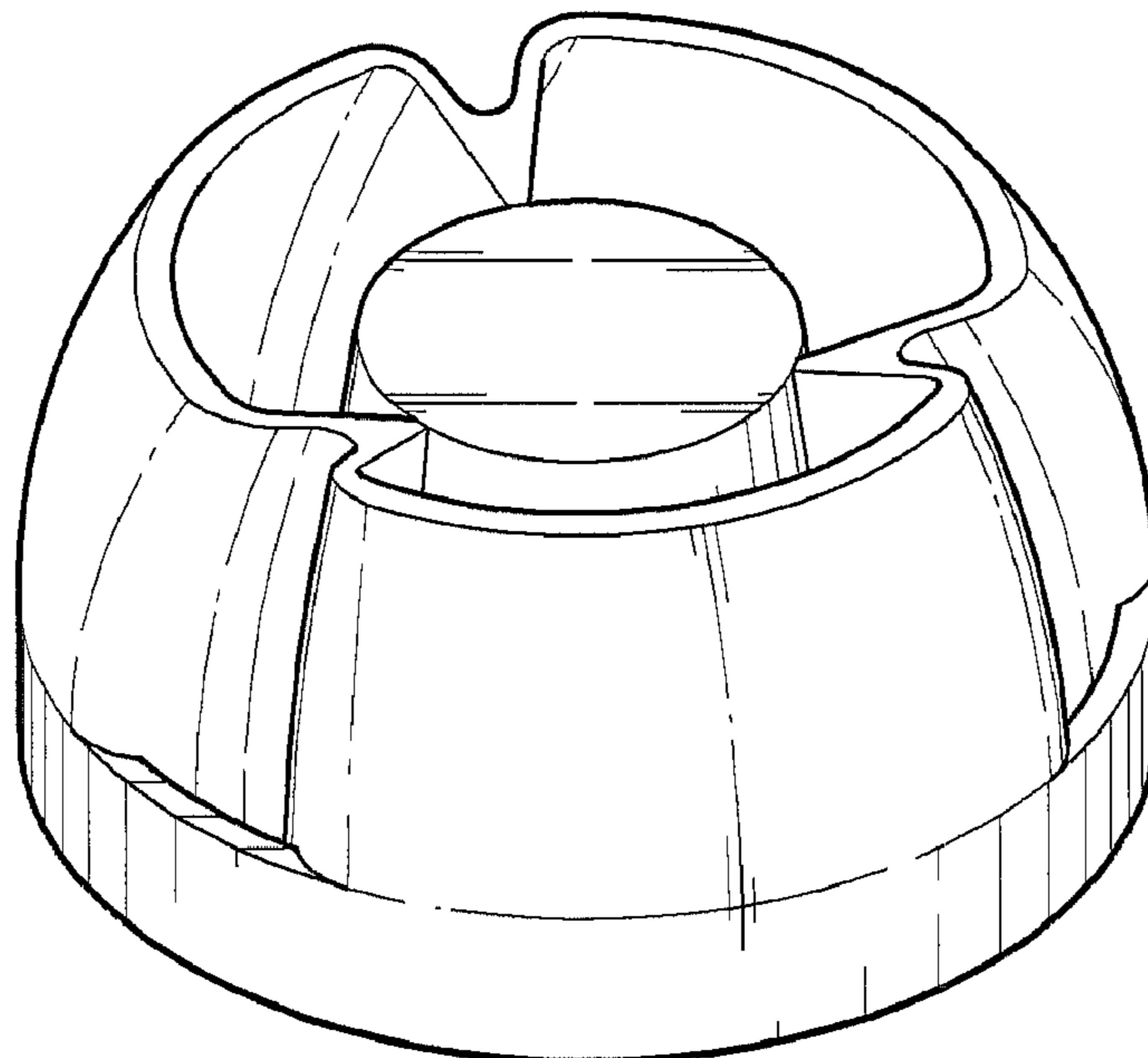


FIG. 1

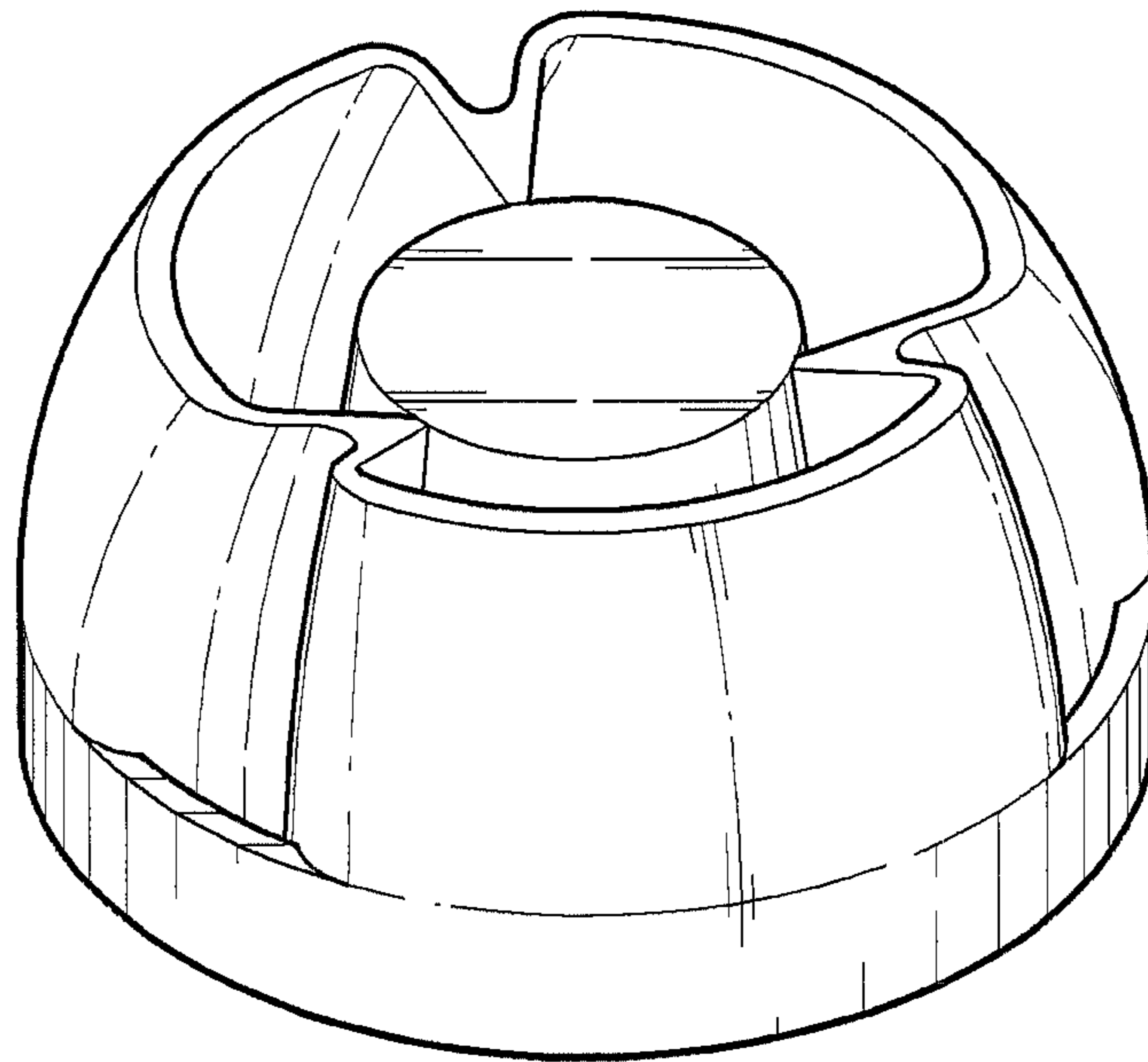


FIG. 2

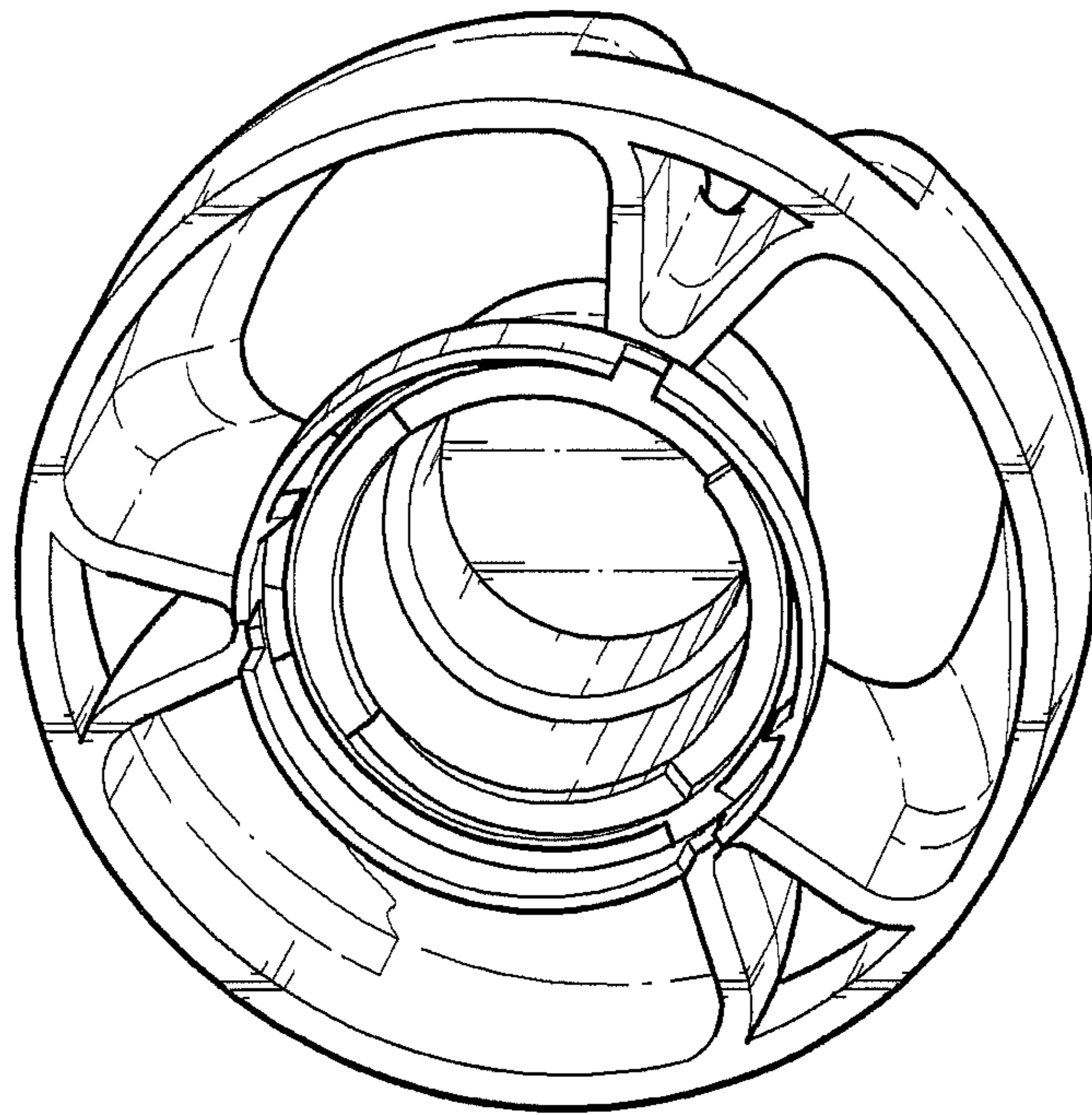


FIG. 3

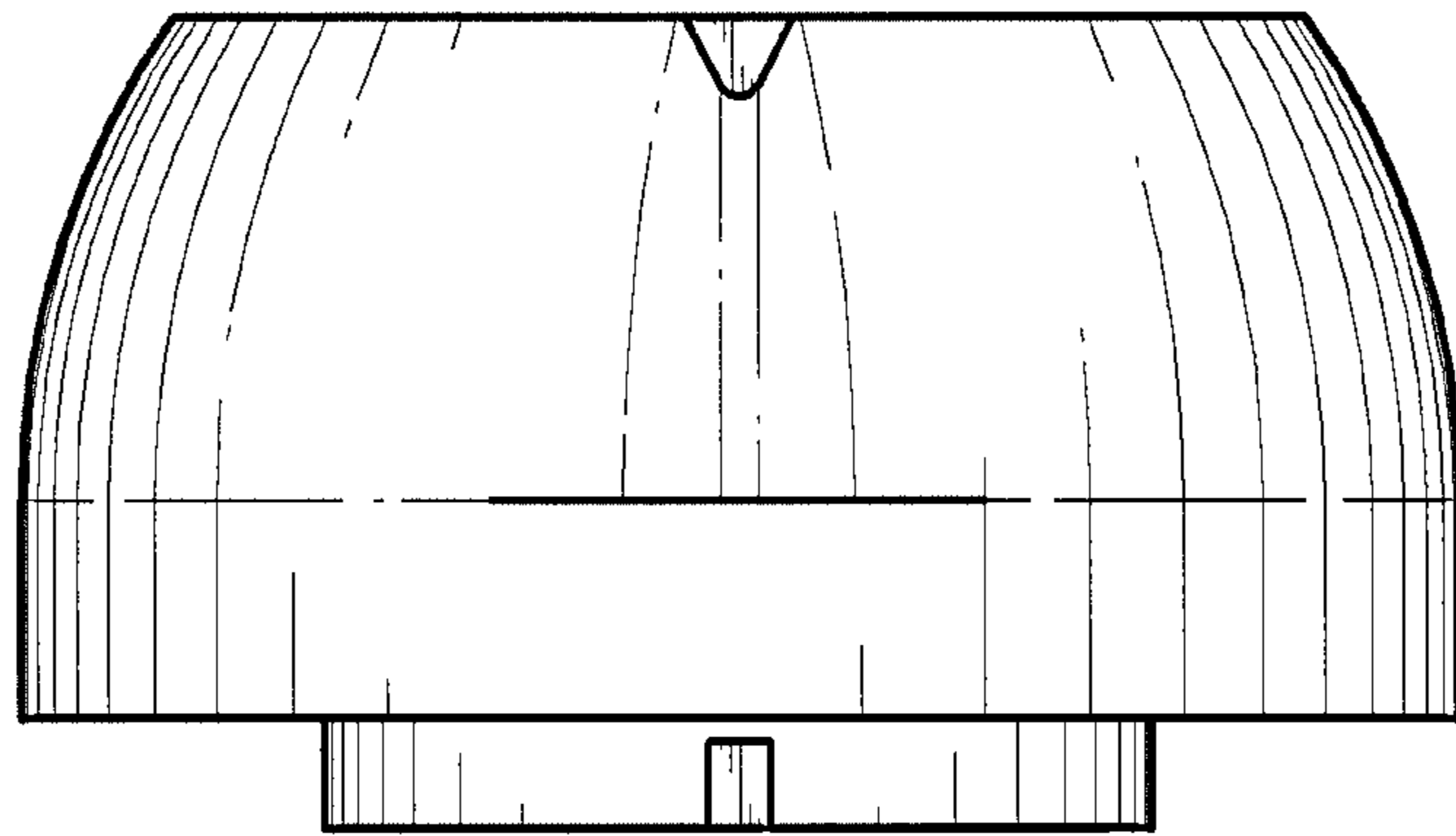


FIG. 4

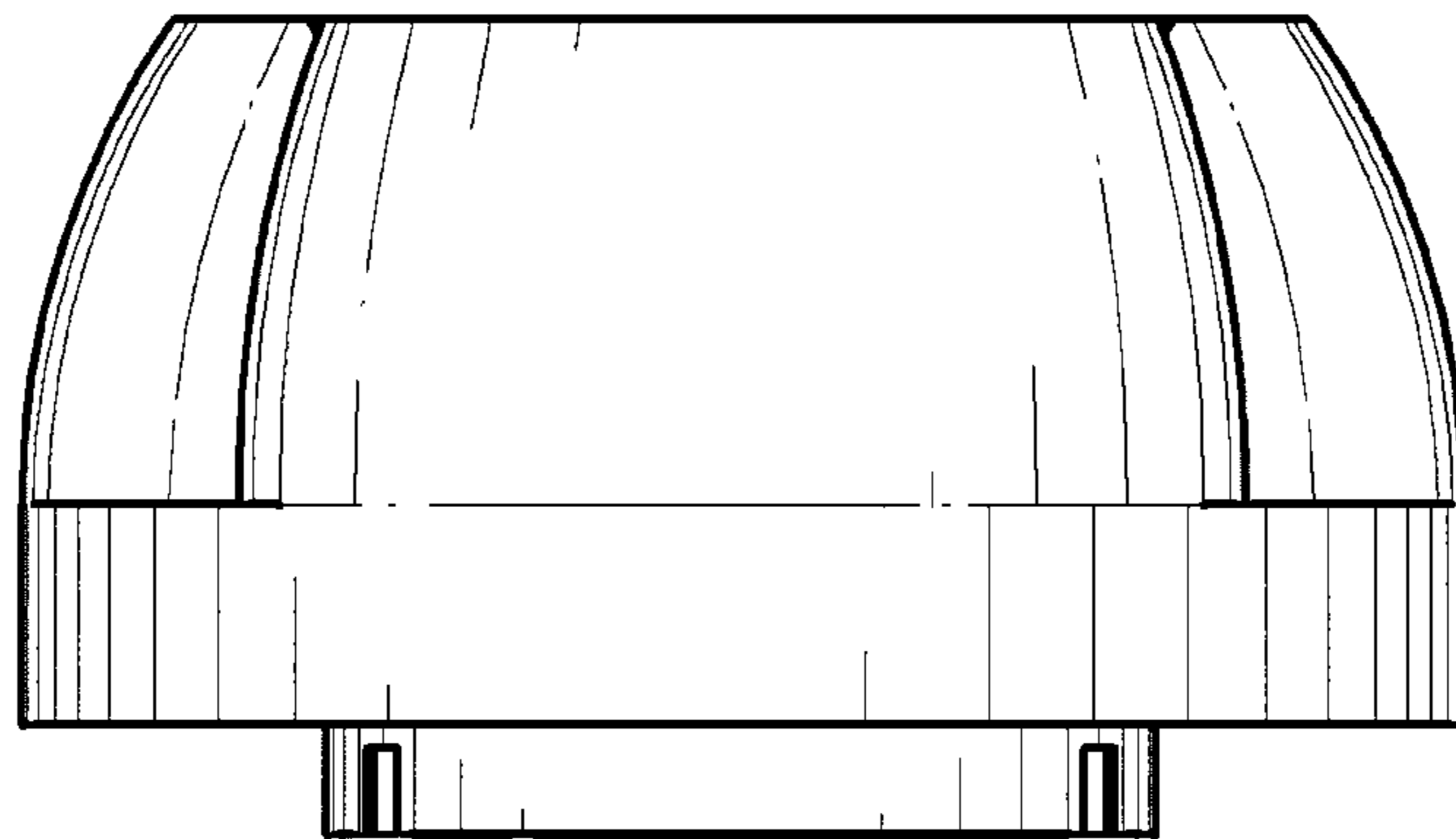


FIG. 5

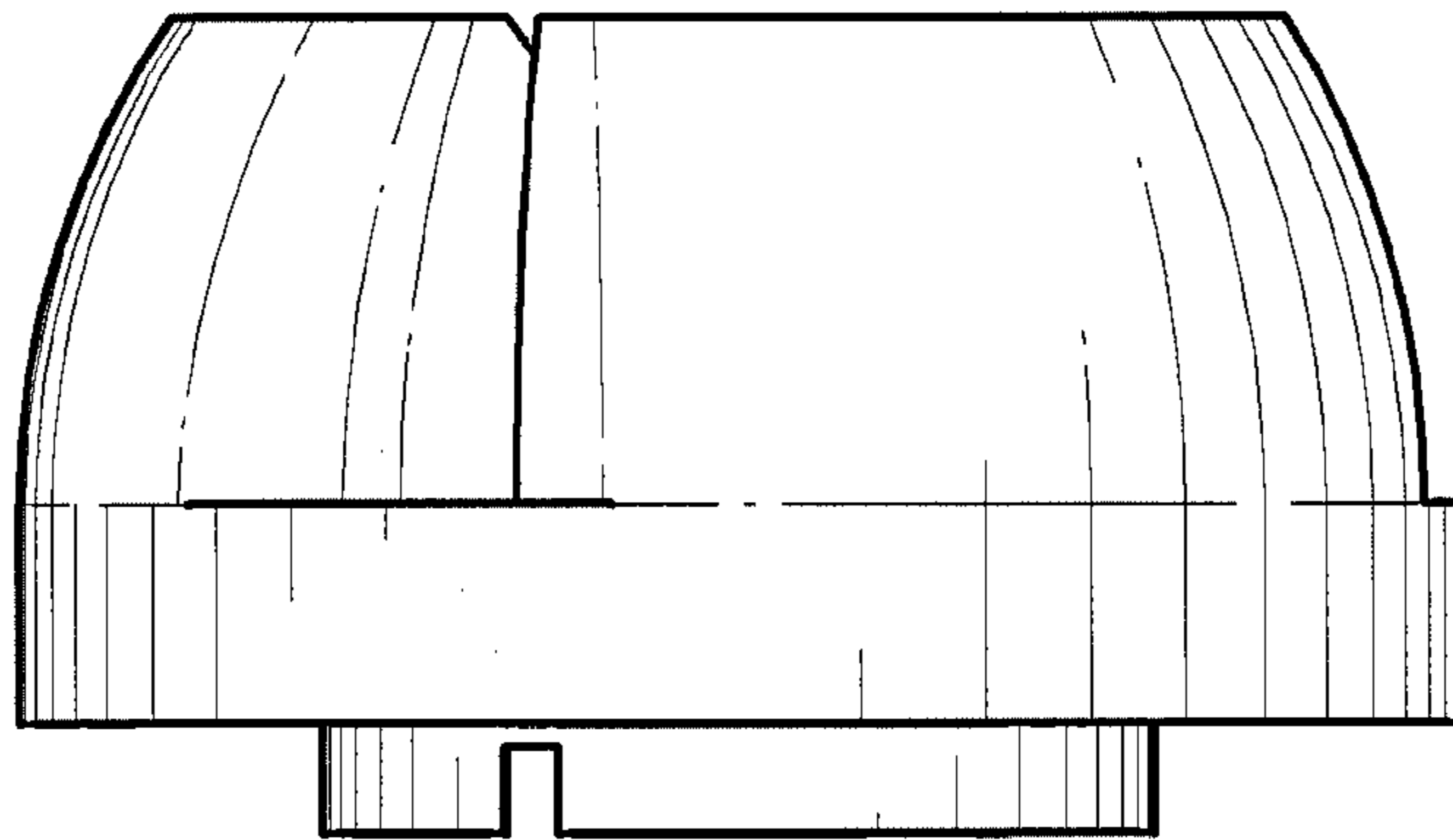


FIG. 6



FIG. 7

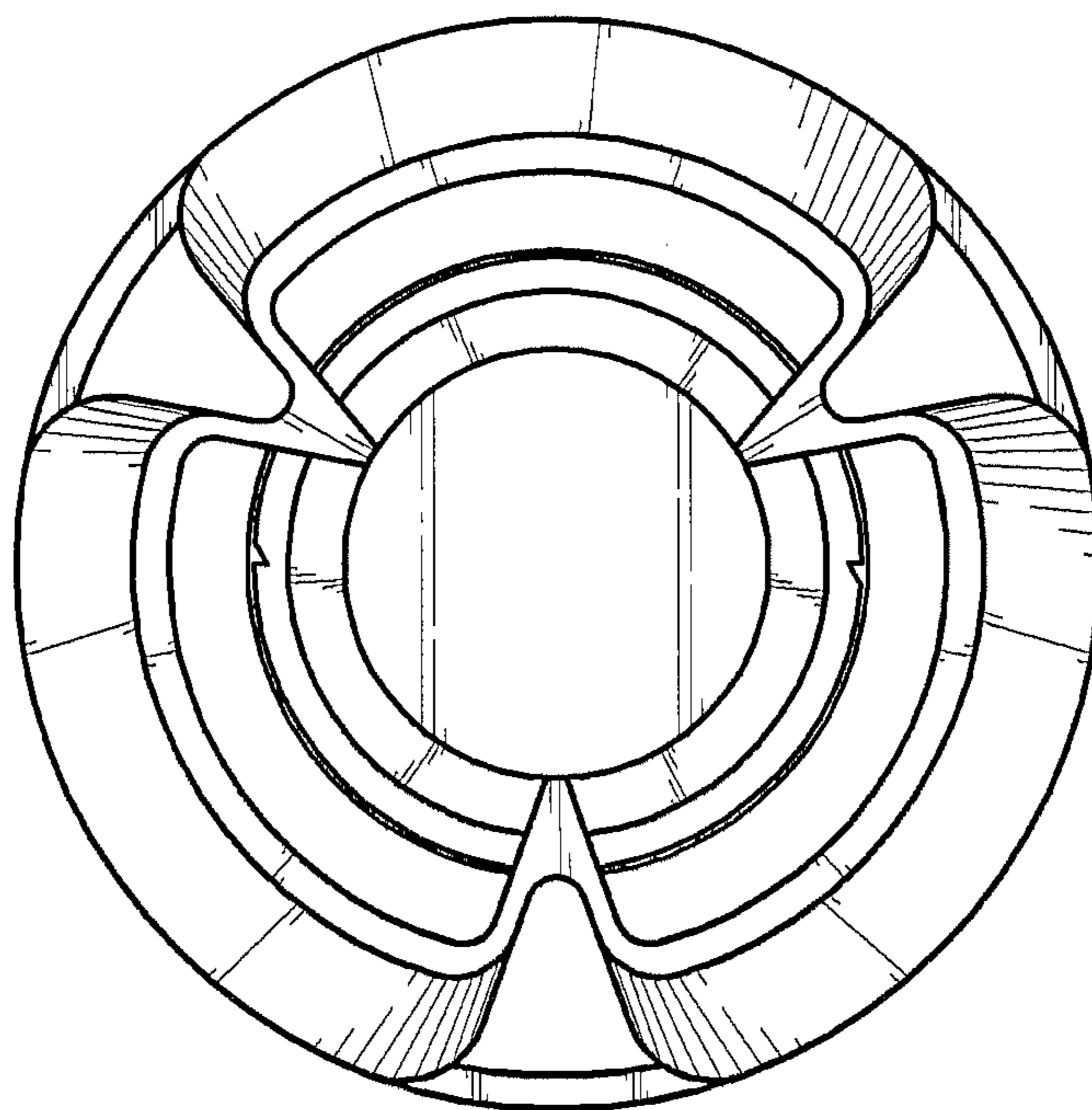




FIG. 8

