



US00D705061S

(12) **United States Design Patent**
Jo et al.

(10) **Patent No.:** **US D705,061 S**
(45) **Date of Patent:** **** May 20, 2014**

(54) **SPOUT CAP**

(71) Applicants: **Harvest Charmfoods Co., Ltd.**,
Anyang-si (KR); **Krauzen Co., Ltd.**,
Seoul (KR)

(72) Inventors: **Byung-chul Jo**, Seoul (KR); **Byung-gu**
Cho, Seoul (KR); **Byung-kwon Cho**,
Seoul (KR)

(73) Assignees: **Harvest Charmfoods Co., Ltd.**, Anyang
(KR); **Krauzen Co., Ltd.**, Seoul (KR)

(**) Term: **14 Years**

(21) Appl. No.: **29/440,432**

(22) Filed: **Dec. 21, 2012**

(51) **LOC (10) Cl.** **09-07**

(52) **U.S. Cl.**

USPC **D9/453**; D9/452; D9/435

(58) **Field of Classification Search**

USPC D9/434, 435, 440, 447, 705, 707, 710,
D9/451-454; D7/387, 392, 392.1;
222/567, 569-572; 220/288, 711, 714,
220/717; 215/252

See application file for complete search history.

(56) **References Cited**

U.S. PATENT DOCUMENTS

D445,679 S * 7/2001 Malmborg D9/434
D547,657 S * 7/2007 Tacchella D9/454

D604,613 S * 11/2009 Garboni D9/454
D617,187 S * 6/2010 Murray D9/435
D681,460 S * 5/2013 Kim D9/452
D682,688 S * 5/2013 Murray D9/435
D682,694 S * 5/2013 van den Hoonaard D9/451
D684,055 S * 6/2013 Kwon D9/452
D684,056 S * 6/2013 Kwon D9/452
D684,057 S * 6/2013 Kwon D9/453
D684,058 S * 6/2013 Kwon D9/453
D686,495 S * 7/2013 Murray D9/435
D687,719 S * 8/2013 Last D9/709

* cited by examiner

Primary Examiner — Susan Bennett Hattan

Assistant Examiner — Brett Miller

(74) *Attorney, Agent, or Firm* — Staas & Halsey LLP

(57) **CLAIM**

The ornamental design for a spout cap, as shown and described.

DESCRIPTION

FIG. 1 is a top perspective view of a spout cap of the present invention.

FIG. 2 is a bottom perspective view thereof;

FIG. 3 is a front elevational view thereof;

FIG. 4 is a rear elevational view thereof;

FIG. 5 is a left side elevational view thereof;

FIG. 6 is a right side elevational view thereof;

FIG. 7 is a top plan view thereof; and,

FIG. 8 is a bottom plan view thereof.

1 Claim, 8 Drawing Sheets

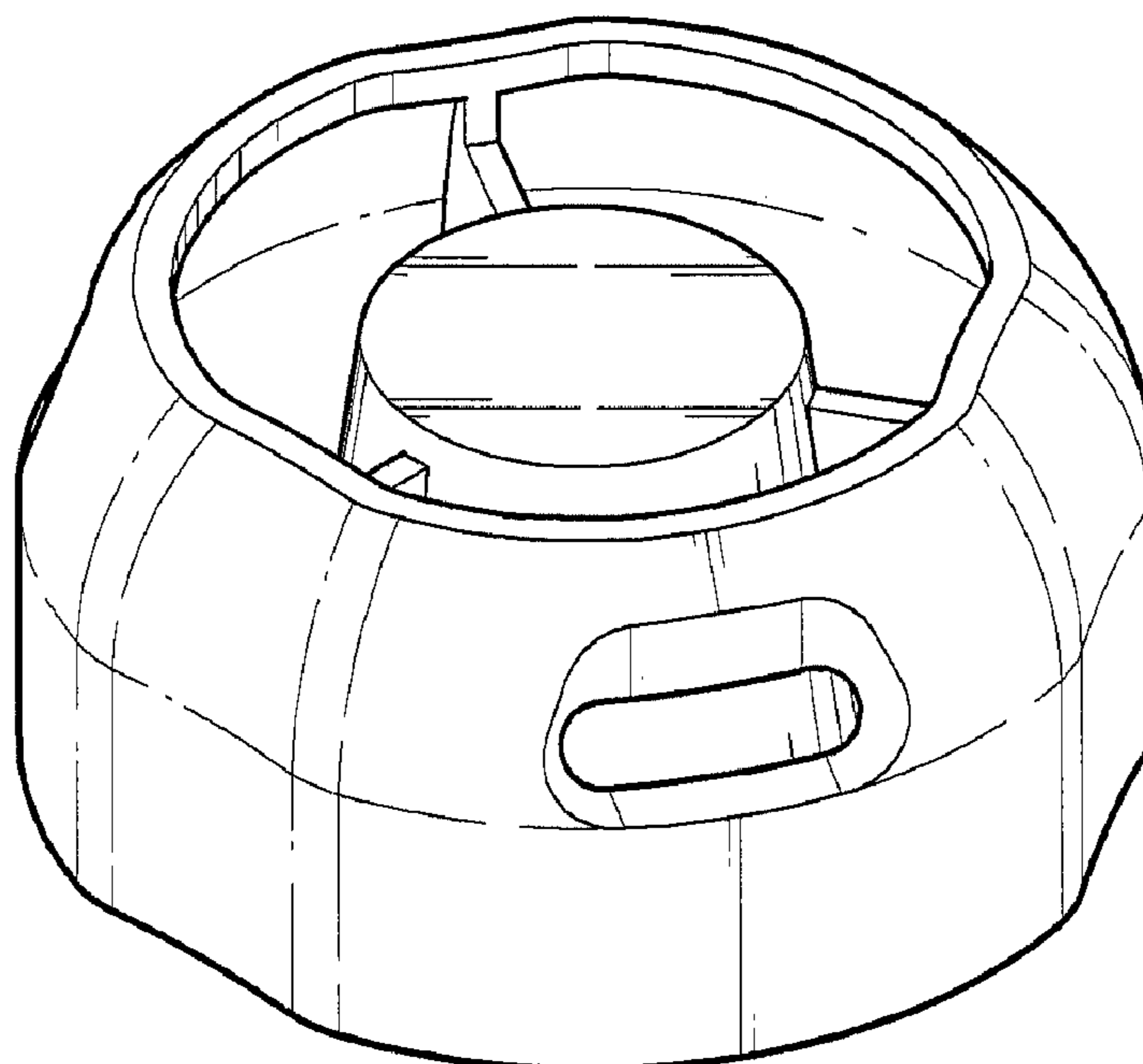


FIG. 1

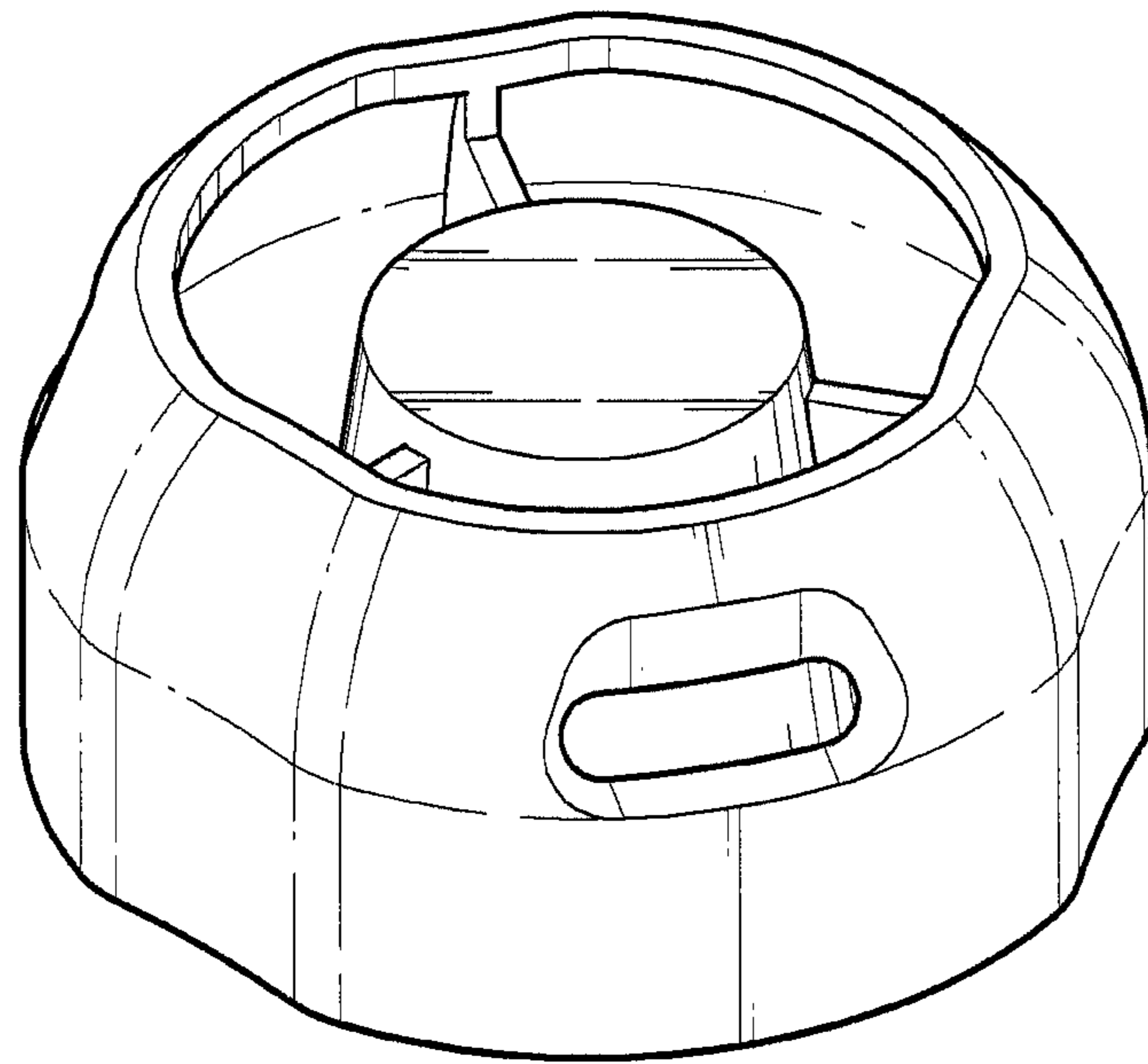


FIG. 2

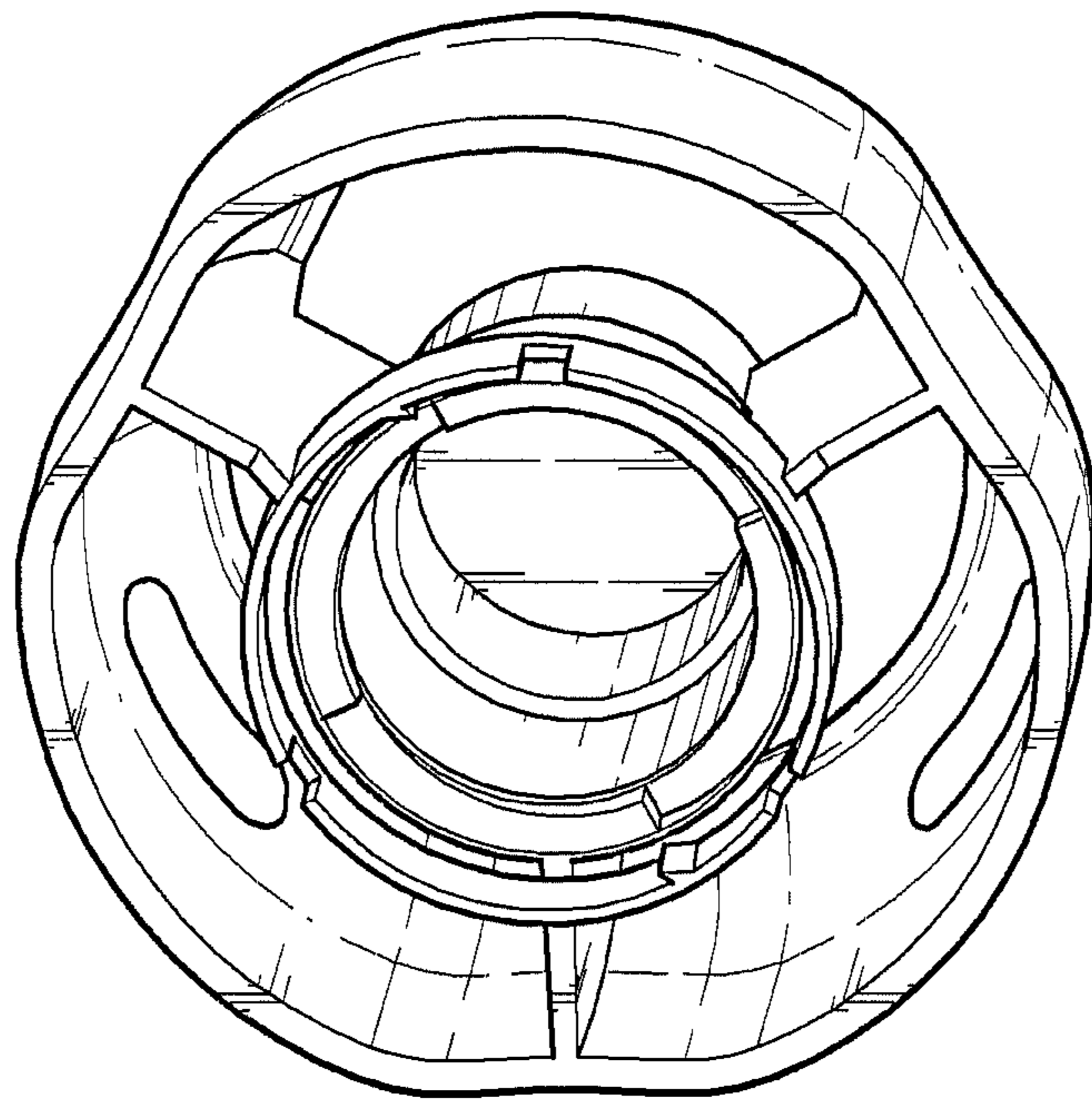


FIG. 3

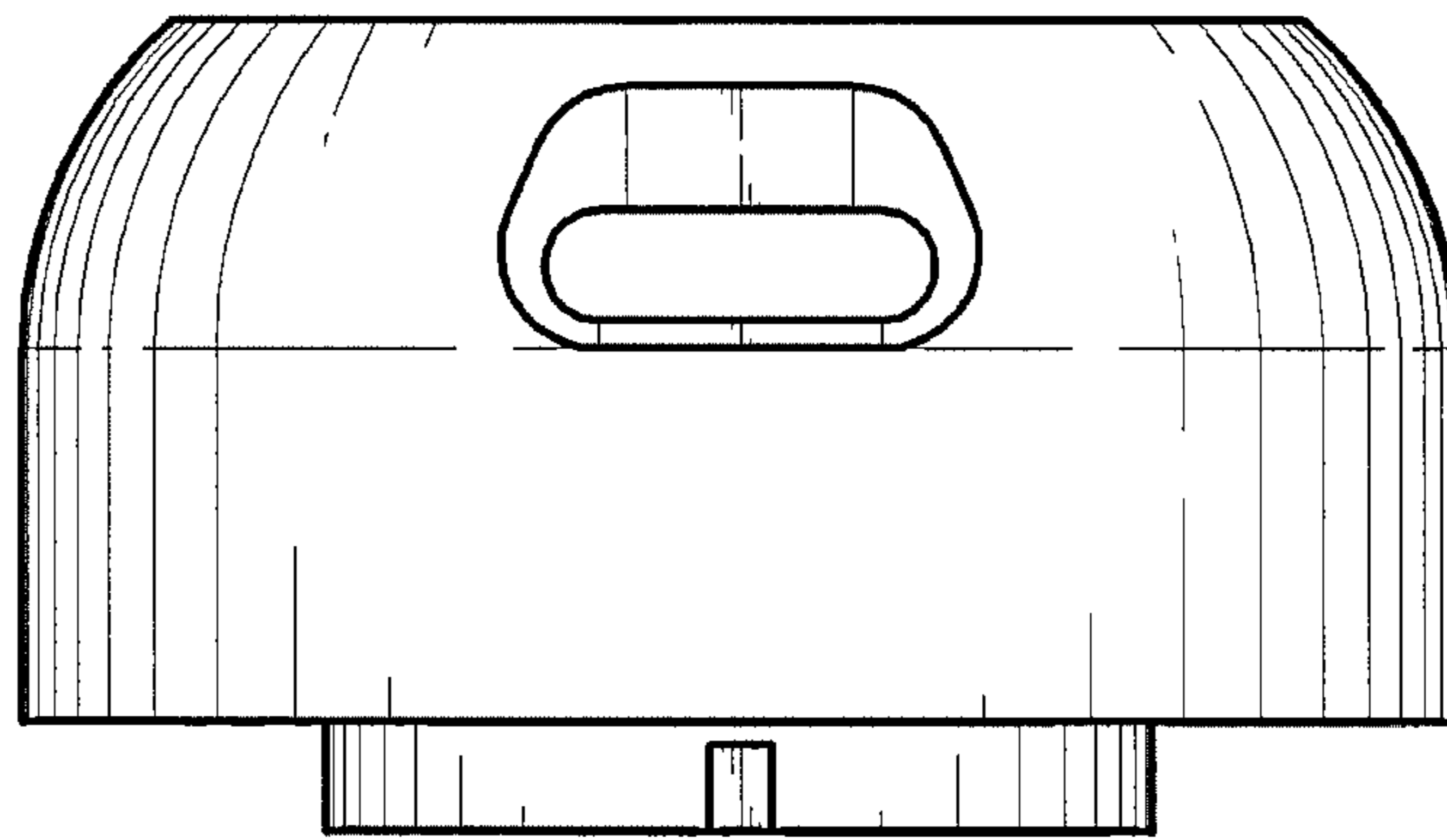


FIG. 4

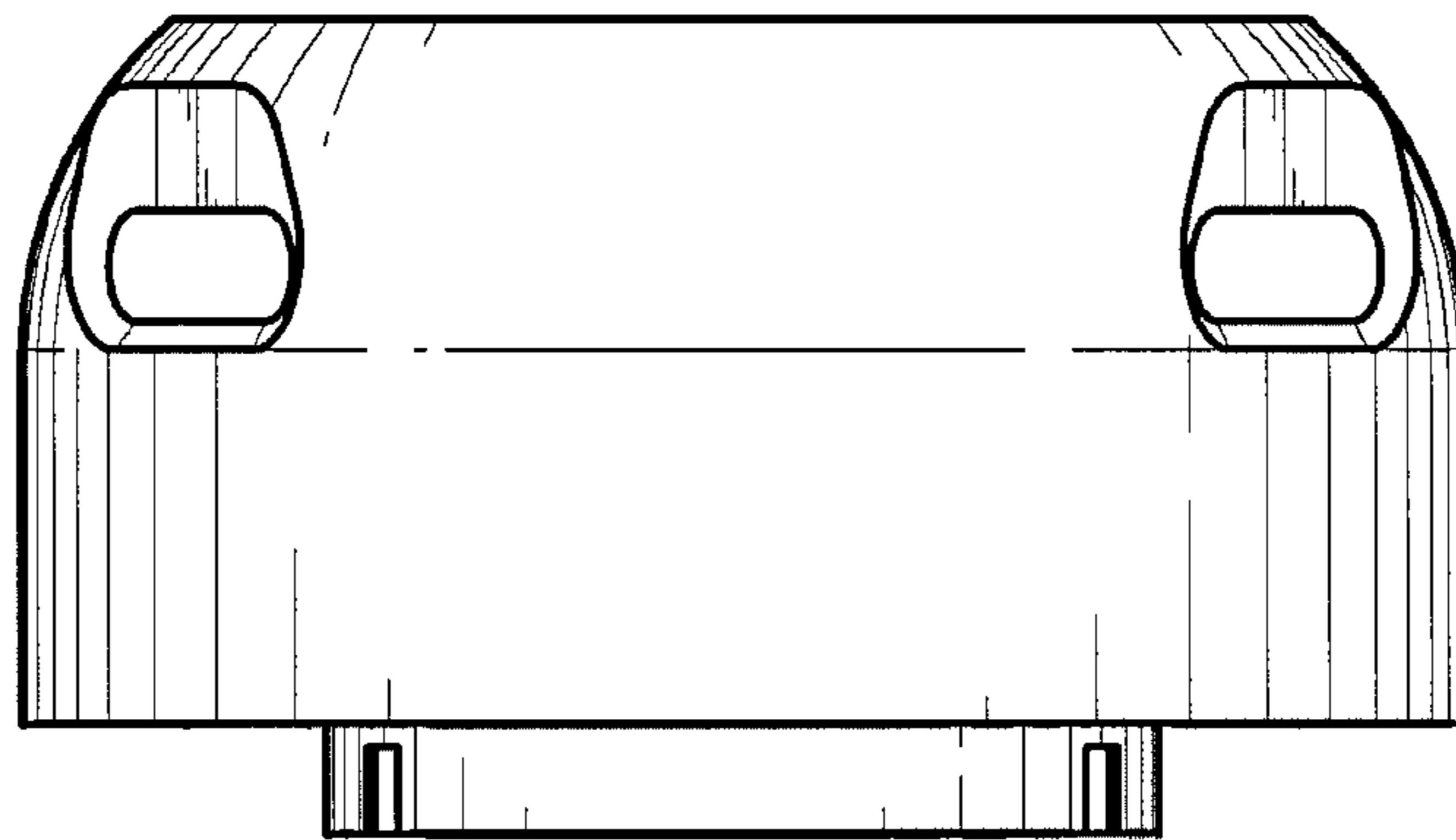


FIG. 5

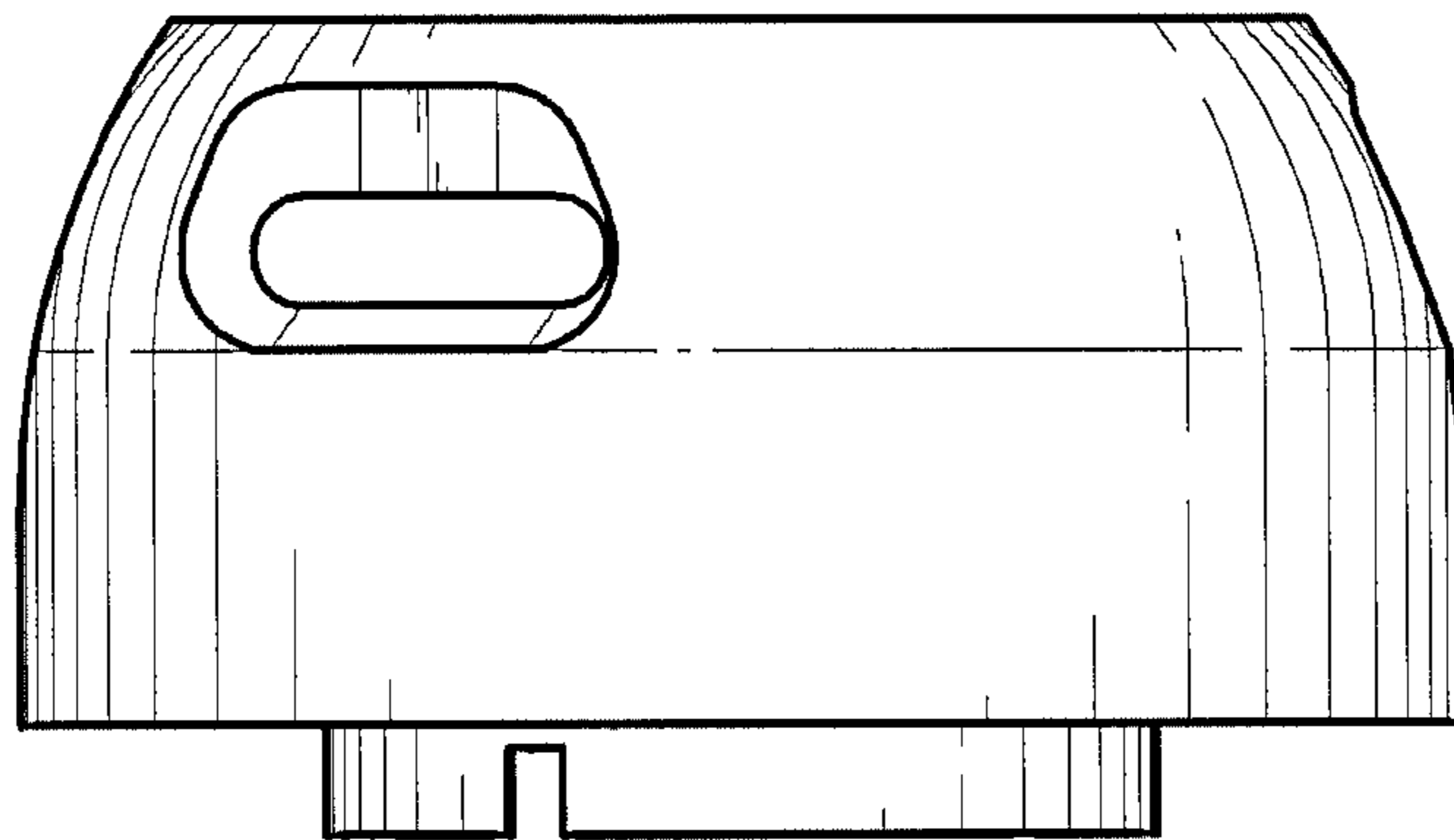


FIG. 6

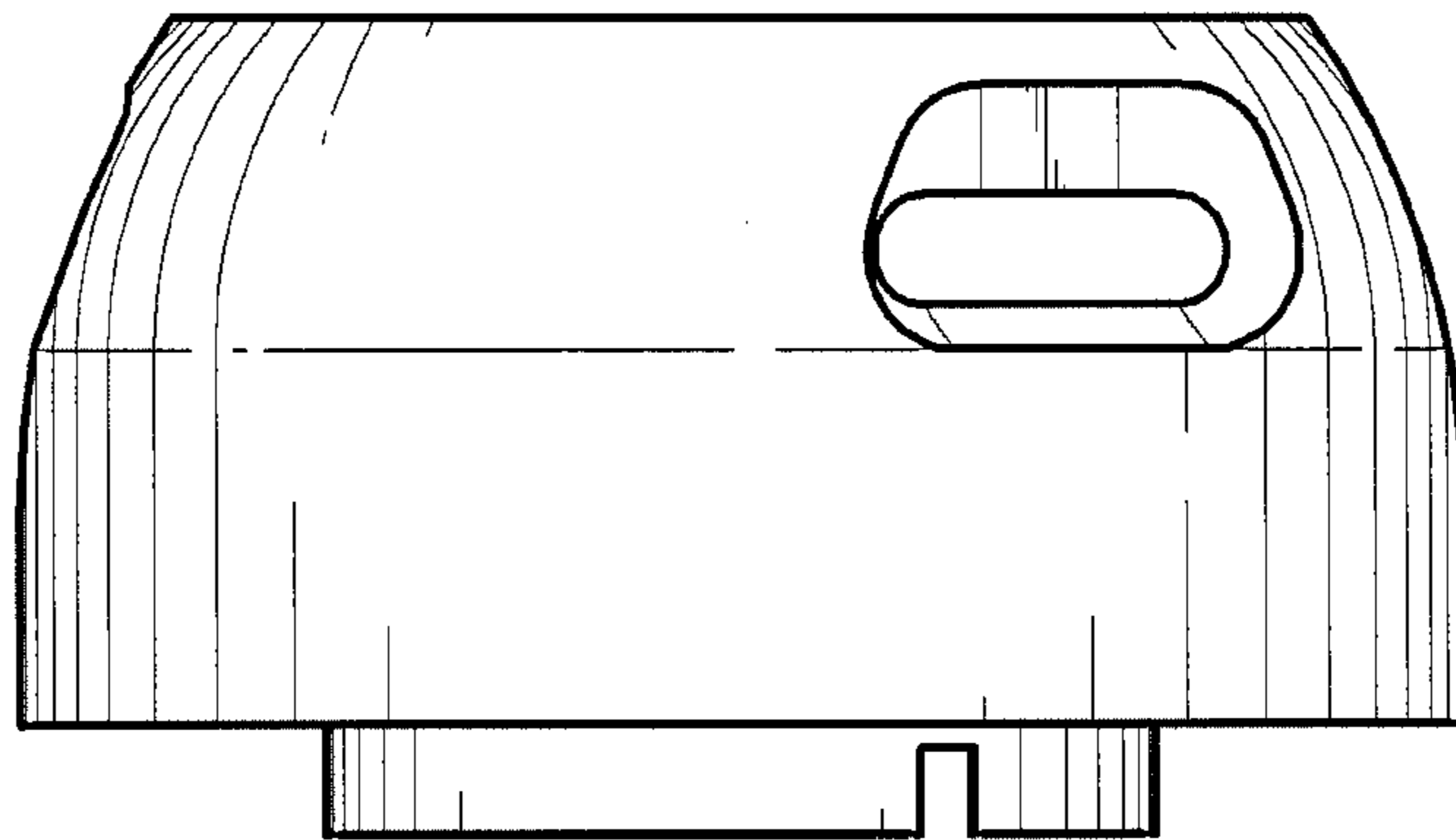


FIG. 7

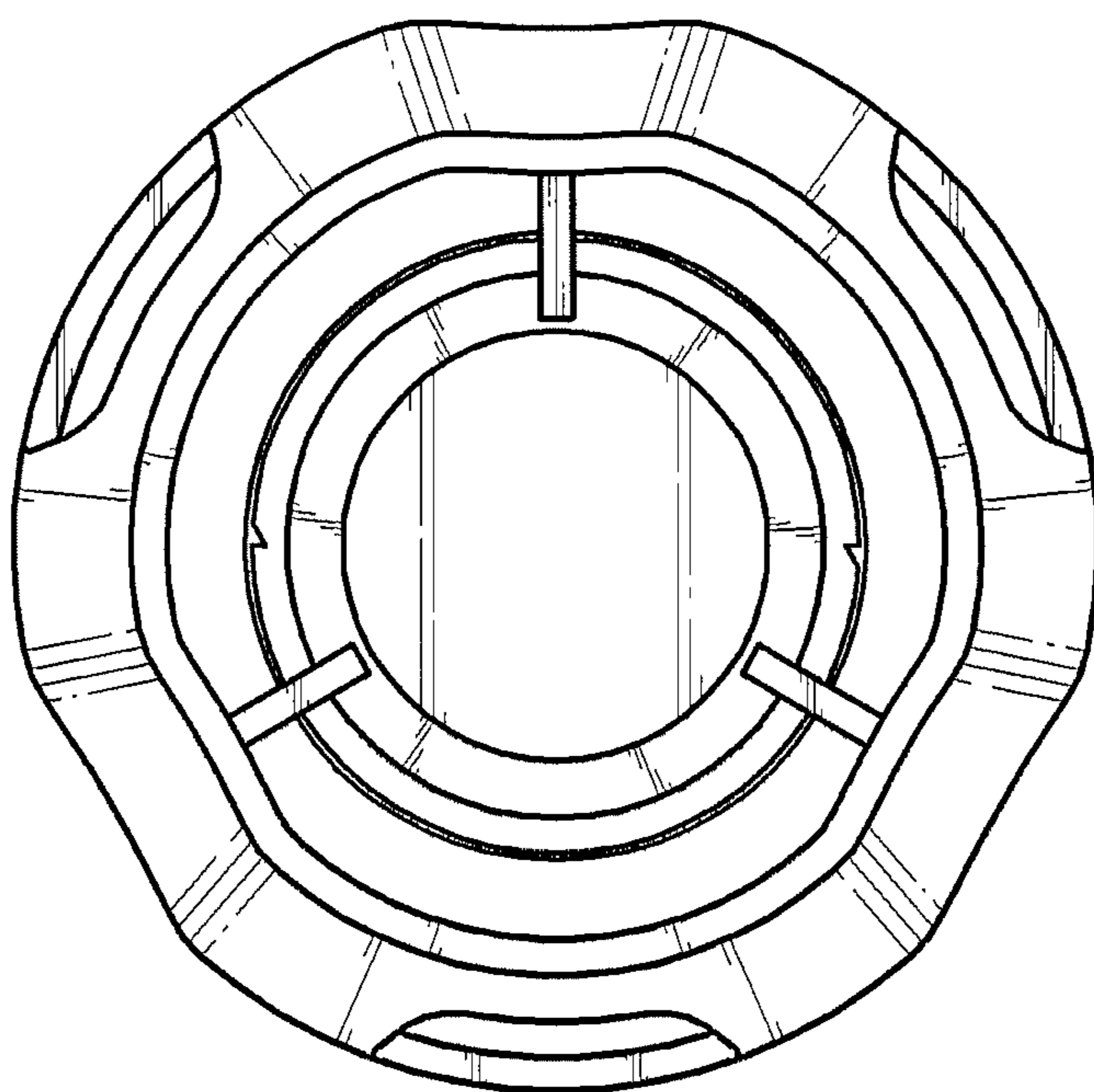


FIG. 8

