



US00D705060S

(12) **United States Design Patent**
Wang

(10) **Patent No.:** **US D705,060 S**

(45) **Date of Patent:** **** May 20, 2014**

(54) **CONTAINER NOZZLE**

(76) Inventor: **Ya-Tsan Wang**, Hsin-Chu (TW)

(**) Term: **14 Years**

(21) Appl. No.: **29/429,936**

(22) Filed: **Aug. 20, 2012**

(51) **LOC (10) Cl.** **09-07**

(52) **U.S. Cl.**
CPC **B05B 11/3057** (2013.01)
USPC **D9/448**

(58) **Field of Classification Search**
USPC D9/434, 435, 448, 449; D23/213, 226;
222/323, 383.1, 383.3, 402.15;
239/120, 215, 333, 394, 526, 539;
417/178, 198, 411
See application file for complete search history.

(56) **References Cited**

U.S. PATENT DOCUMENTS

5,054,659	A *	10/1991	Micallef	222/321.8
6,851,625	B1 *	2/2005	Kuo	239/333
D532,299	S *	11/2006	Kuo	D9/448
7,249,692	B2 *	7/2007	Walters et al.	222/153.11
D580,760	S *	11/2008	Costa Quintas	D9/448
D589,795	S *	4/2009	Sweeton et al.	D9/448
D622,143	S *	8/2010	Hildebrand	D9/448
D623,942	S *	9/2010	Alluigi	D9/448
D628,067	S *	11/2010	Pearson et al.	D9/448

D636,272	S *	4/2011	Pearson et al.	D9/685
D641,251	S *	7/2011	Pearson et al.	D9/685
D653,945	S *	2/2012	Pearson et al.	D9/448
D661,187	S *	6/2012	Baranowski et al.	D9/448
D672,240	S *	12/2012	Baranowski et al.	D9/448
D688,562	S *	8/2013	Baranowski et al.	D9/685
2006/0113329	A1 *	6/2006	Walters et al.	222/383.1
2006/0138176	A1 *	6/2006	Lasserre et al.	222/321.8
2009/0127293	A1 *	5/2009	De Laforcade	222/402.11
2010/0276454	A1 *	11/2010	Espinoza et al.	222/153.13

* cited by examiner

Primary Examiner — Robert M Spear

(57) **CLAIM**

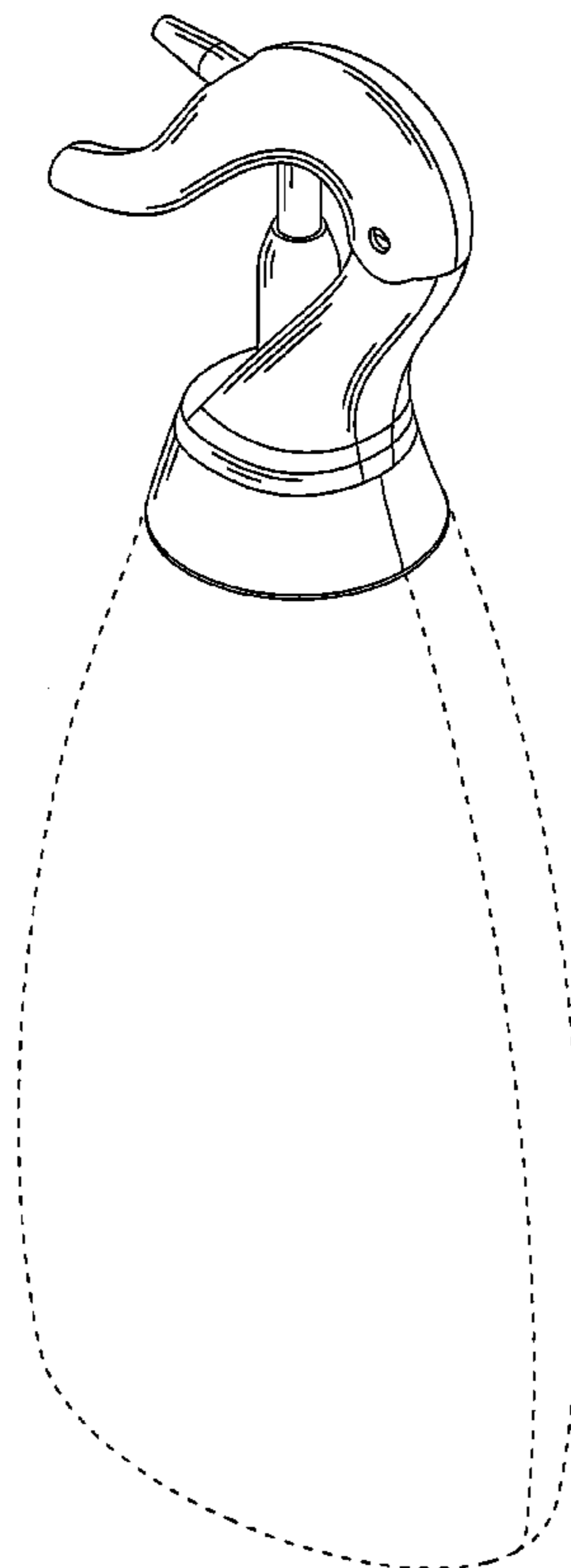
The ornamental design for a container nozzle, as shown and described.

DESCRIPTION

FIG. 1 is a perspective view of a container nozzle
FIG. 2 is a front view thereof;
FIG. 3 is a back view thereof;
FIG. 4 is a right view thereof;
FIG. 5 is a left view thereof;
FIG. 6 is a top view thereof;
FIG. 7 is a bottom view thereof; and,
FIG. 8 is a perspective view thereof showing an example in use.

In the drawings, the dash-dot-dash broken lines represent a boundary of the claim; all other broken lines depict unclaimed environmental subject matter. The broken lines form no part of the claim.

1 Claim, 5 Drawing Sheets



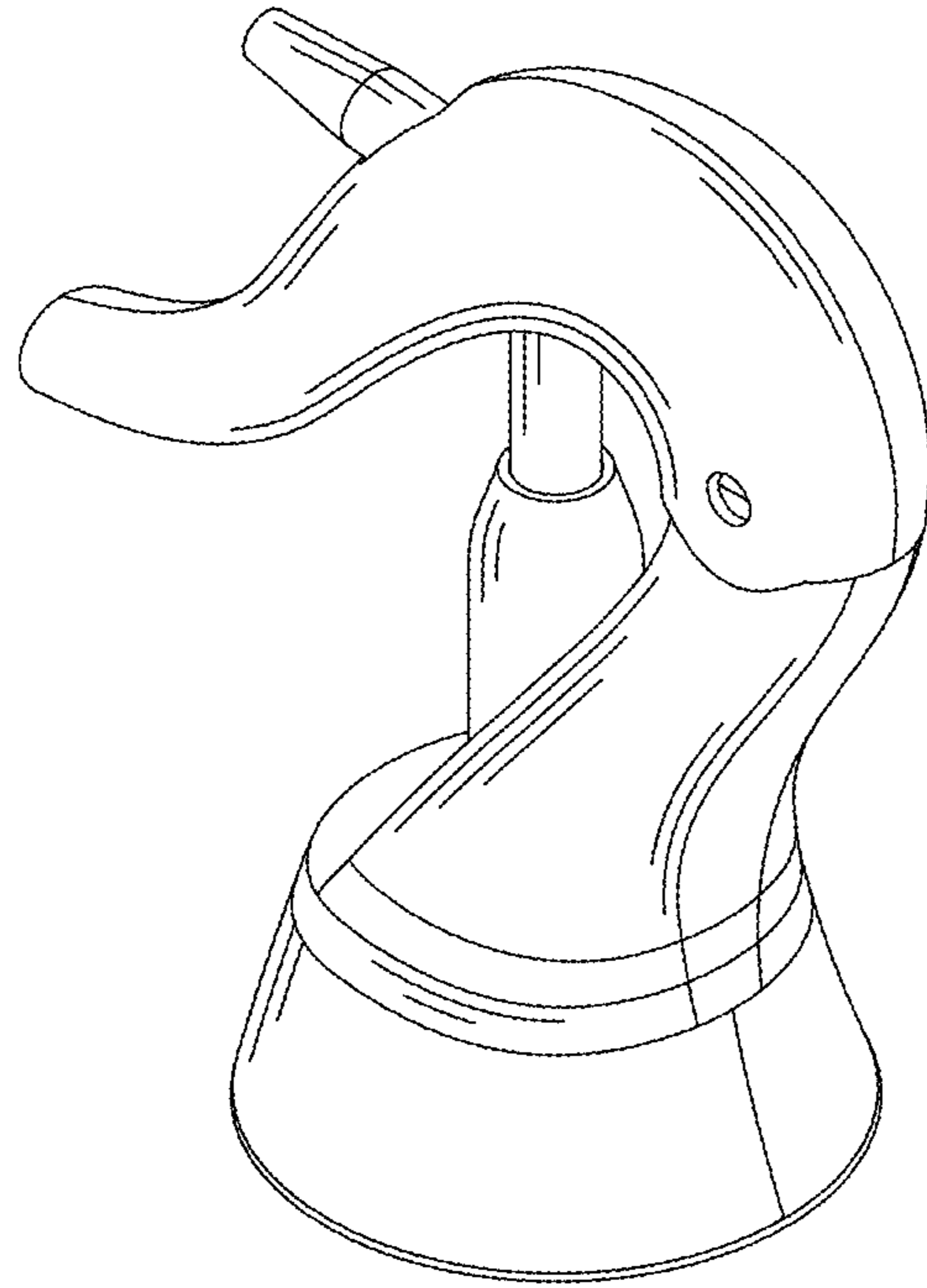


FIG.1

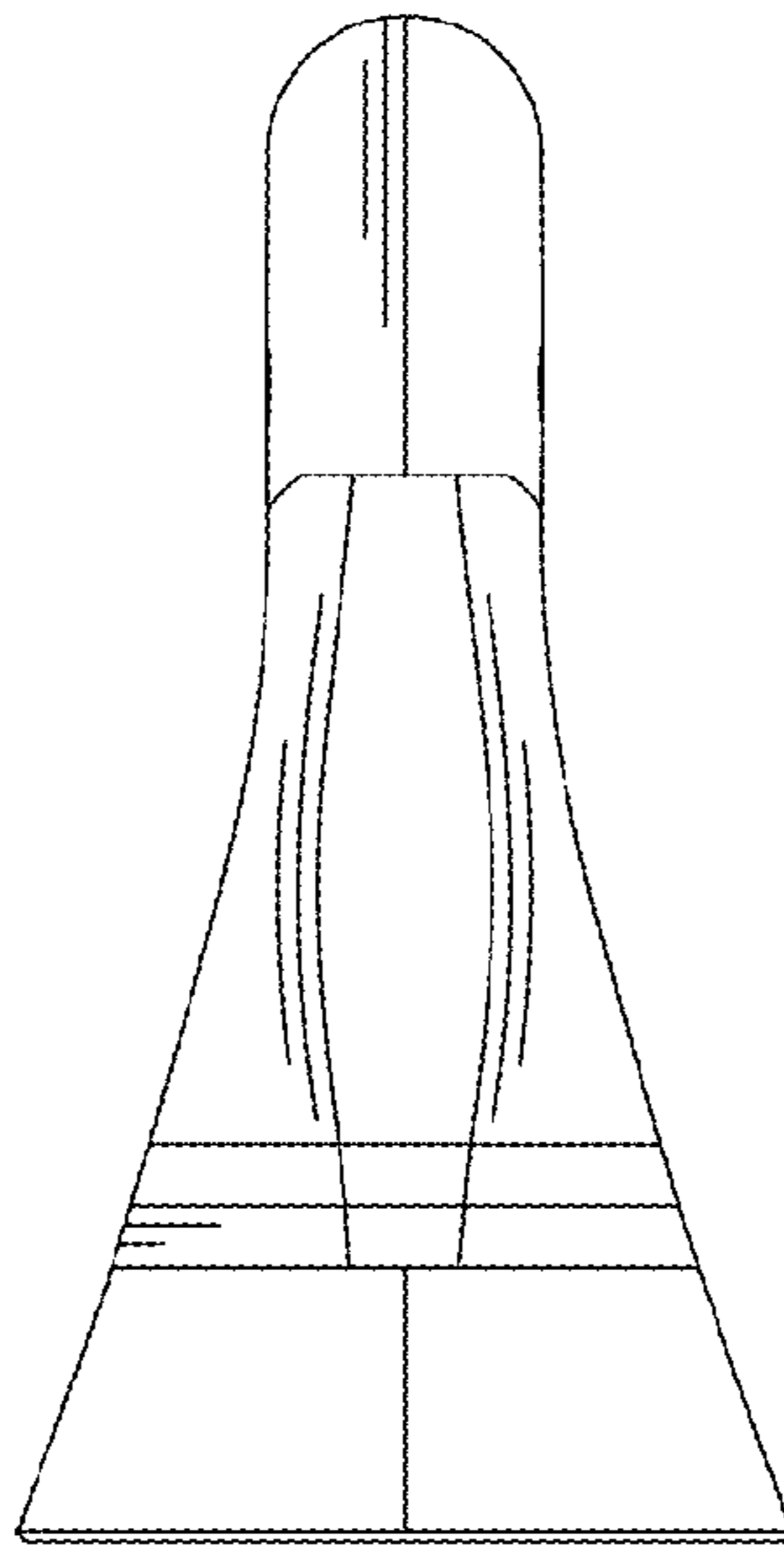


FIG.2

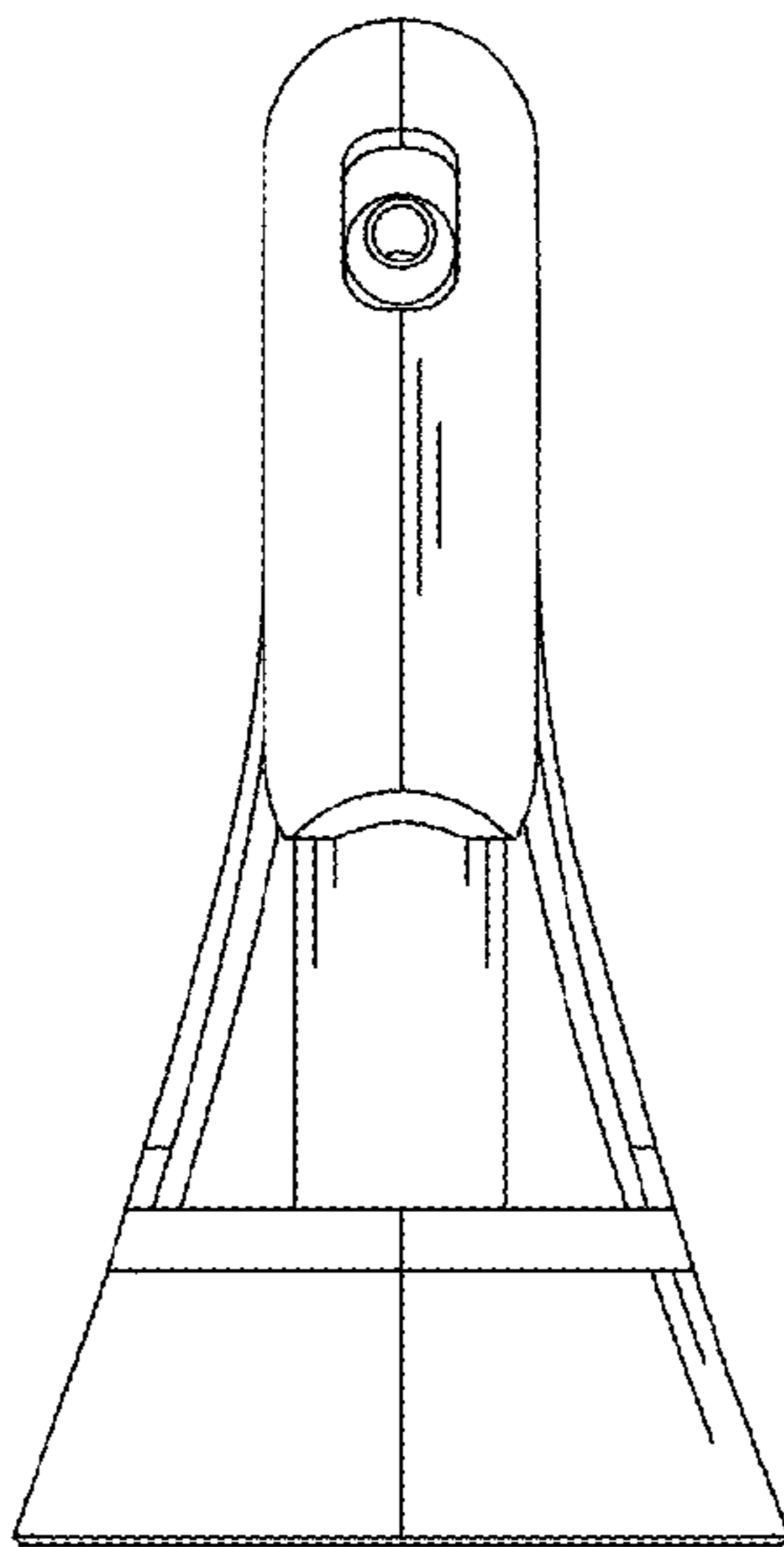


FIG.3

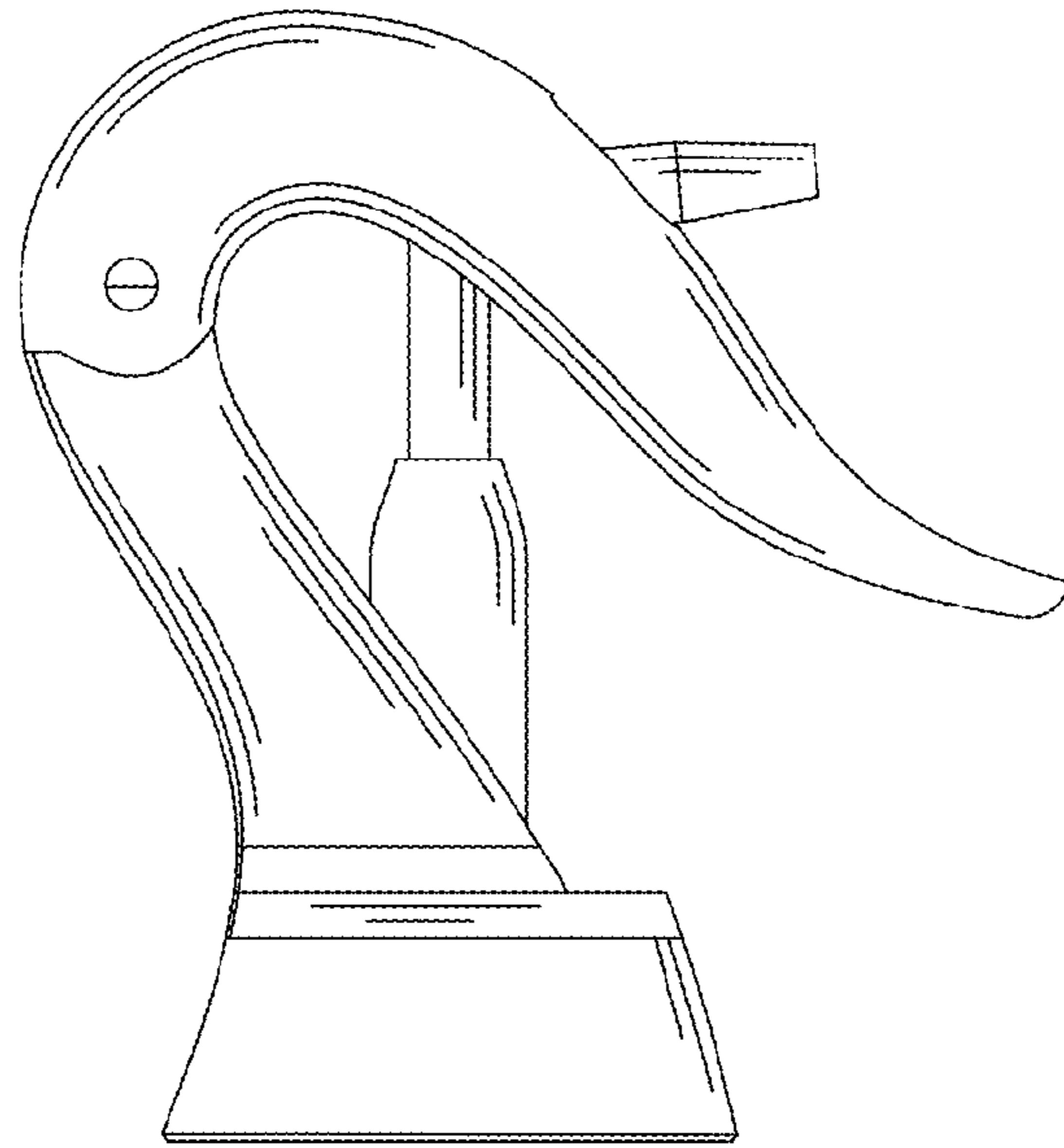


FIG.4

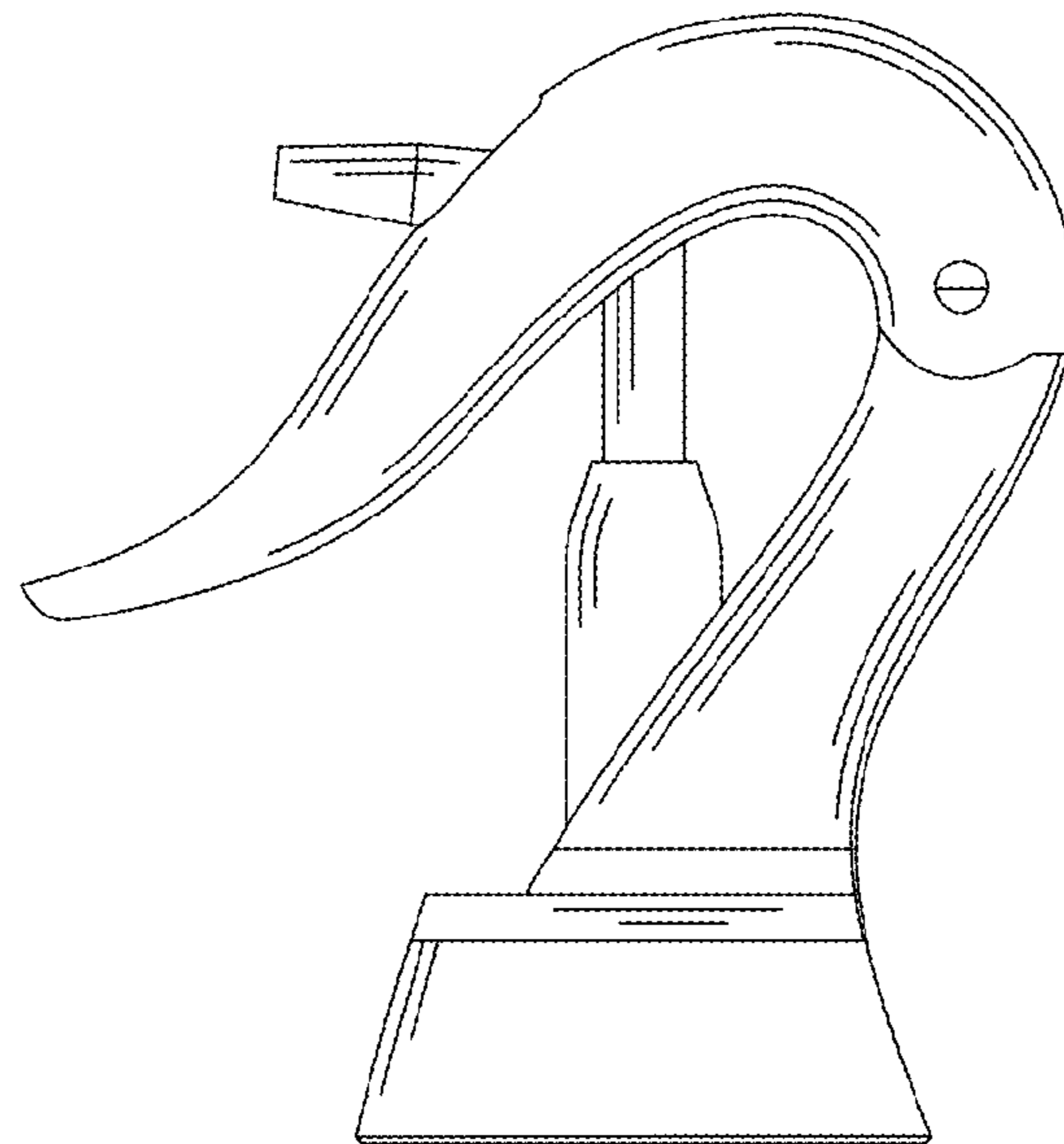


FIG.5

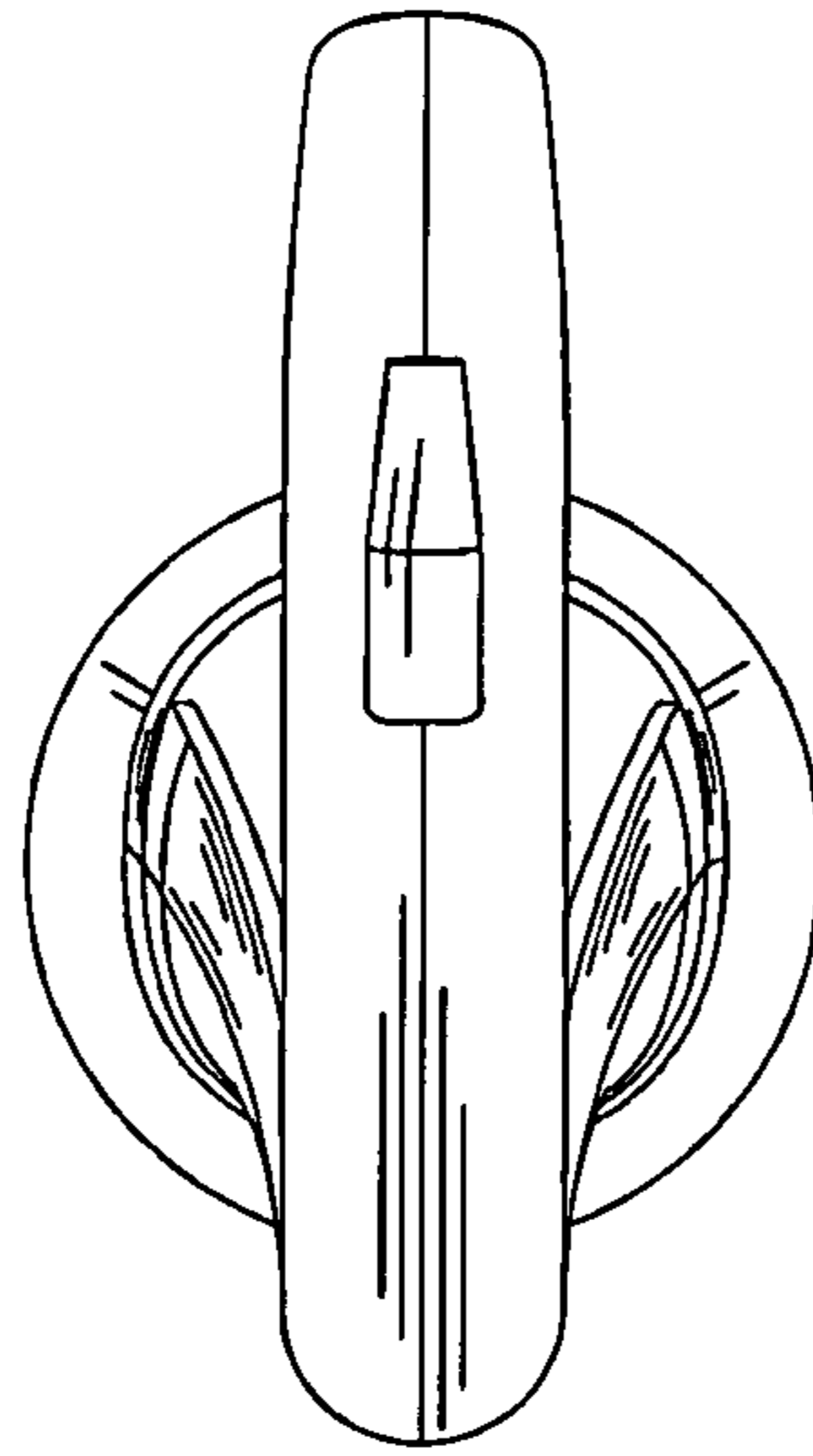


FIG.6

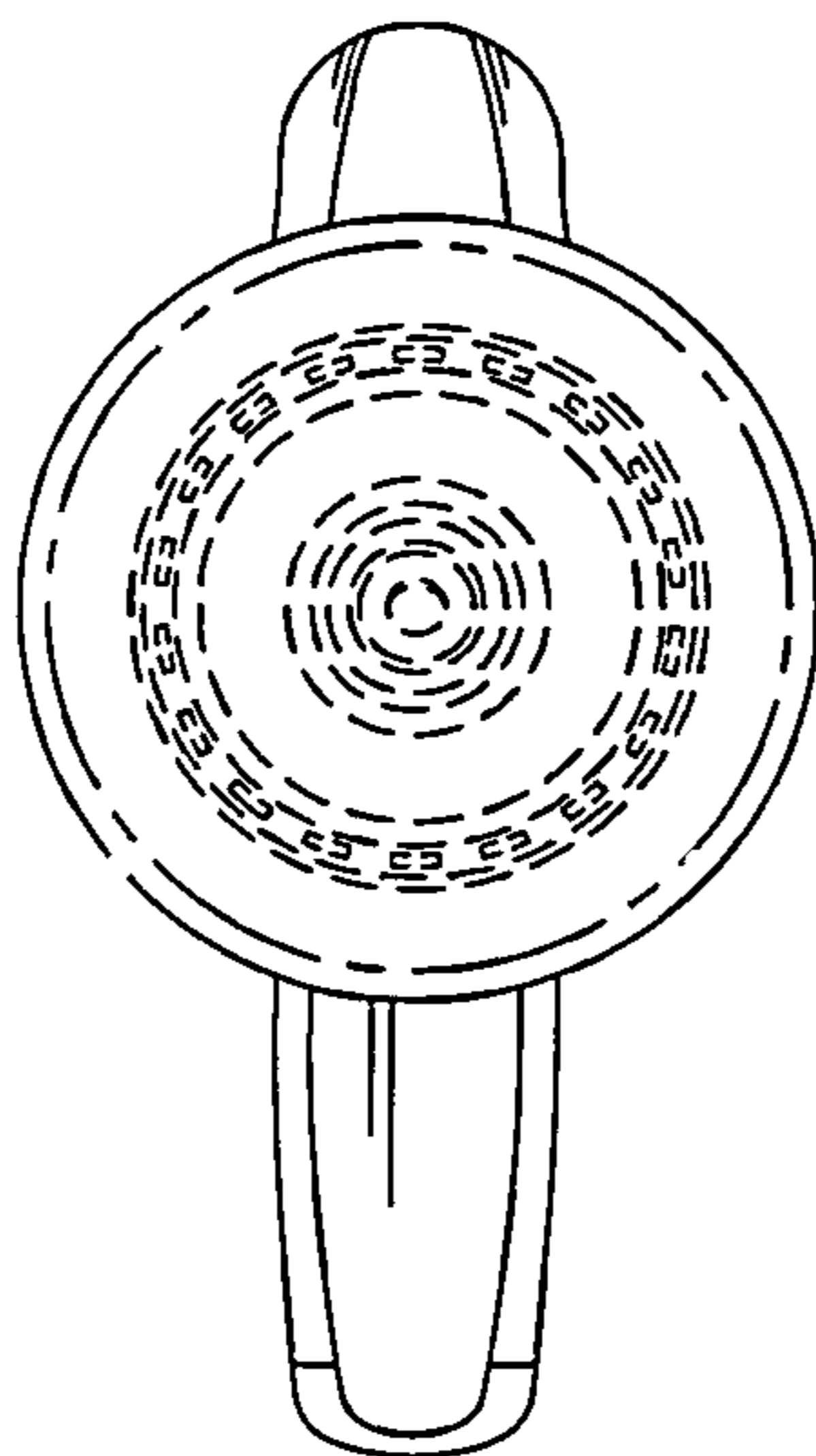


FIG.7

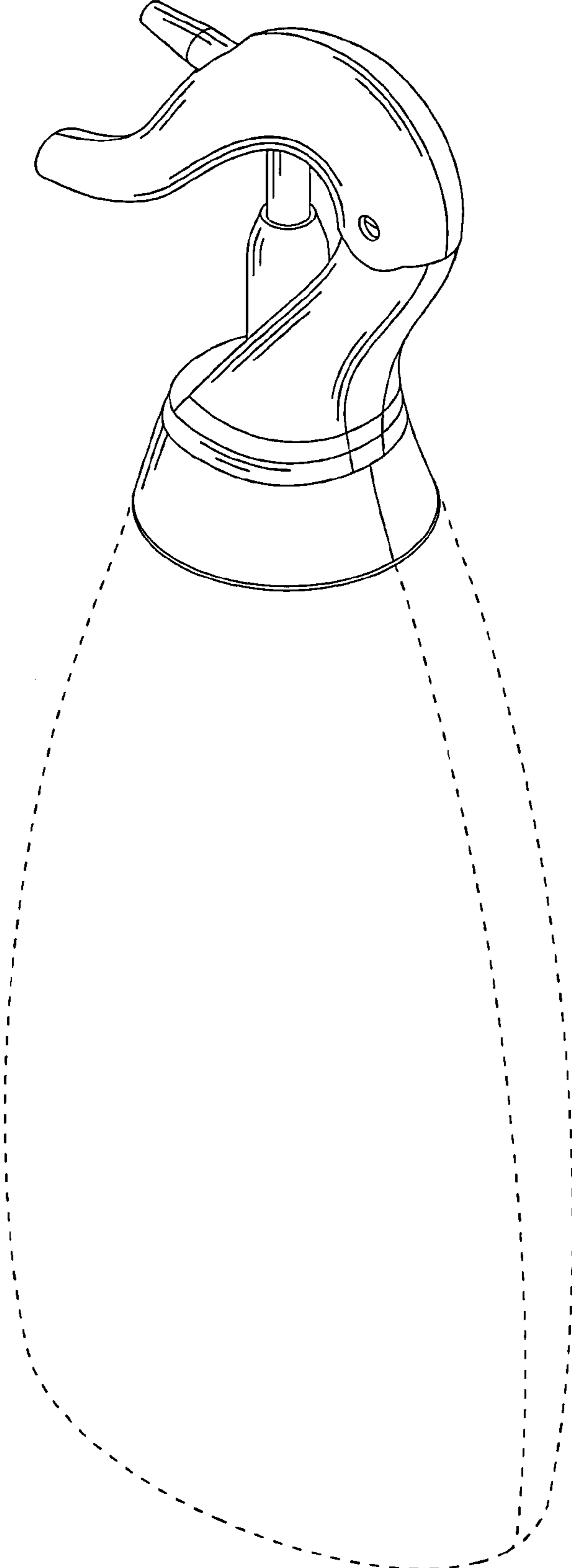


FIG.8