



US00D705059S

(12) **United States Design Patent**  
**Hutchison et al.**

(10) **Patent No.:** **US D705,059 S**

(45) **Date of Patent:** **\*\* May 20, 2014**

(54) **CONTAINER CAP**

(71) Applicants: **Frederick A. Hutchison**, Yorba Linda, CA (US); **Todd Duell**, San Diego, CA (US)

(72) Inventors: **Frederick A. Hutchison**, Yorba Linda, CA (US); **Todd Duell**, San Diego, CA (US)

(\*\*) Term: **14 Years**

(21) Appl. No.: **29/439,171**

(22) Filed: **Dec. 7, 2012**

(51) **LOC (10) Cl.** ..... **09-07**

(52) **U.S. Cl.**  
USPC ..... **D9/447**

(58) **Field of Classification Search**  
USPC ..... D9/434, 435, 439, 440, 443, 446, 447, D9/449, 453, 454, 417; D7/396.2, 392.1; 215/235, 236, 307, 311; 220/254.2-254.5, 259.3, 26, 715, 837; 222/212, 484, 556; 285/332.2; 604/246; D24/121

See application file for complete search history.

(56) **References Cited**

**U.S. PATENT DOCUMENTS**

D306,649	S	*	3/1990	Lapicola et al.	.....	D24/121
4,934,545	A	*	6/1990	Pezzoli et al.	.....	215/250
4,951,845	A	*	8/1990	Pezzoli et al.	.....	215/250
D316,035	S	*	4/1991	Pepitone	.....	D9/745
D349,647	S	*	8/1994	Moffitt	.....	D9/435
5,451,374	A	*	9/1995	Molina	.....	422/534
5,871,110	A	*	2/1999	Grimard et al.		
5,988,456	A	*	11/1999	Laible	.....	222/464.1

6,045,012	A	*	4/2000	Hansen	.....	222/464.1
6,277,103	B1	*	8/2001	Lauer	.....	604/246
6,382,442	B1		5/2002	Thibault et al.		
6,669,681	B2		12/2003	Jepson et al.		
D582,767	S	*	12/2008	Batton et al.	.....	D9/447
D590,255	S	*	4/2009	Maxwell	.....	D9/447
D591,152	S	*	4/2009	Hatalla	.....	D9/447
D596,487	S	*	7/2009	Batton et al.	.....	D9/447
D598,749	S	*	8/2009	Maxwell	.....	D9/447
7,722,576	B2	*	5/2010	Lopez	.....	604/249
D630,094	S	*	1/2011	Maxwell	.....	D9/447
D630,732	S	*	1/2011	Lev et al.	.....	D24/129
D660,149	S	*	5/2012	Grace	.....	D9/447
2002/0185186	A1		12/2002	Juliar et al.		
2003/0029890	A1	*	2/2003	Olechowski et al.	.....	222/525
2003/0088232	A1	*	5/2003	Duell	.....	604/411
2006/0264891	A1	*	11/2006	Lopez	.....	604/500
2012/0271246	A1	*	10/2012	Guala	.....	604/246

\* cited by examiner

*Primary Examiner* — Robert M Spear

(74) *Attorney, Agent, or Firm* — Stetina Brunda Garred & Brucker

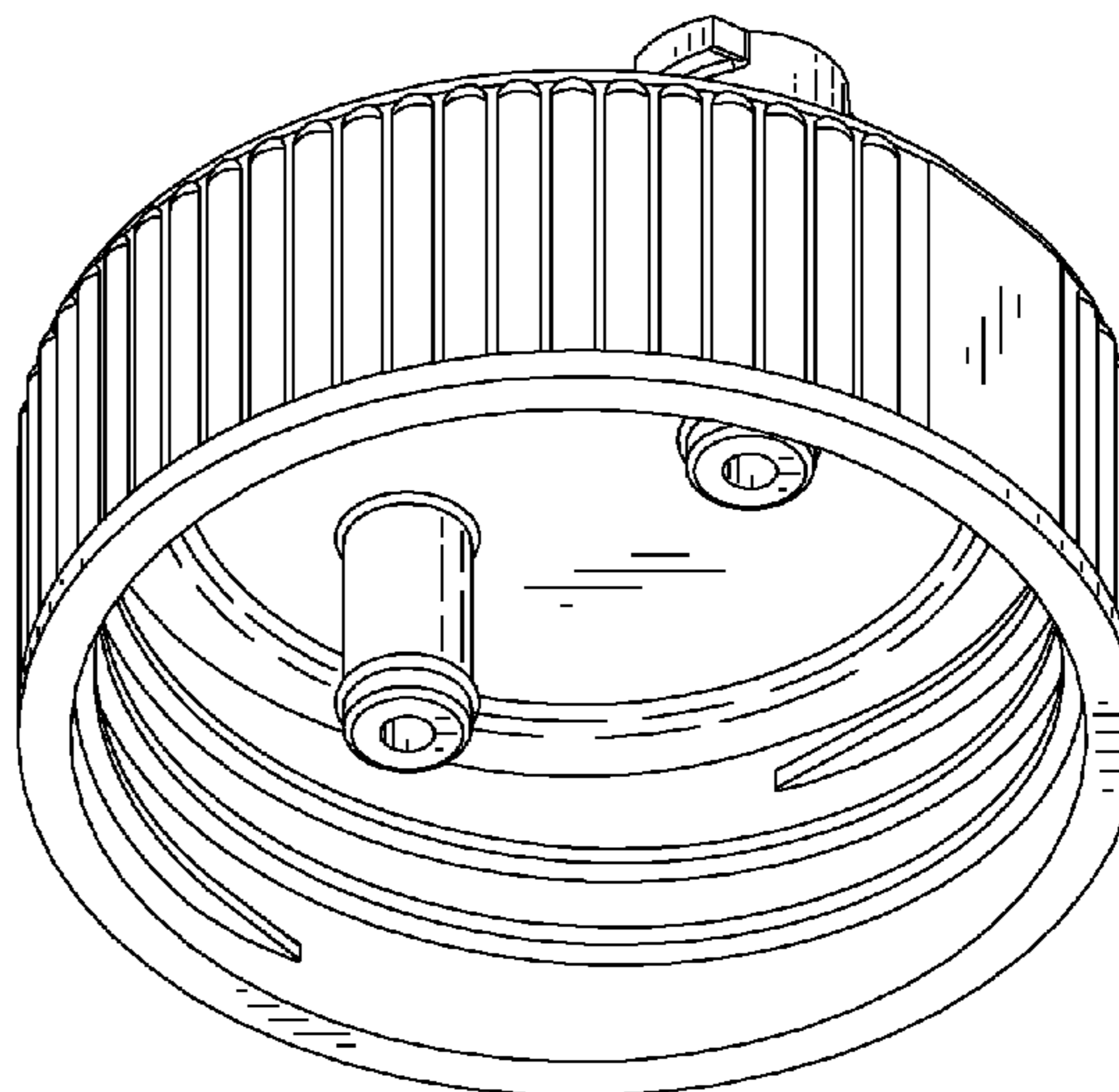
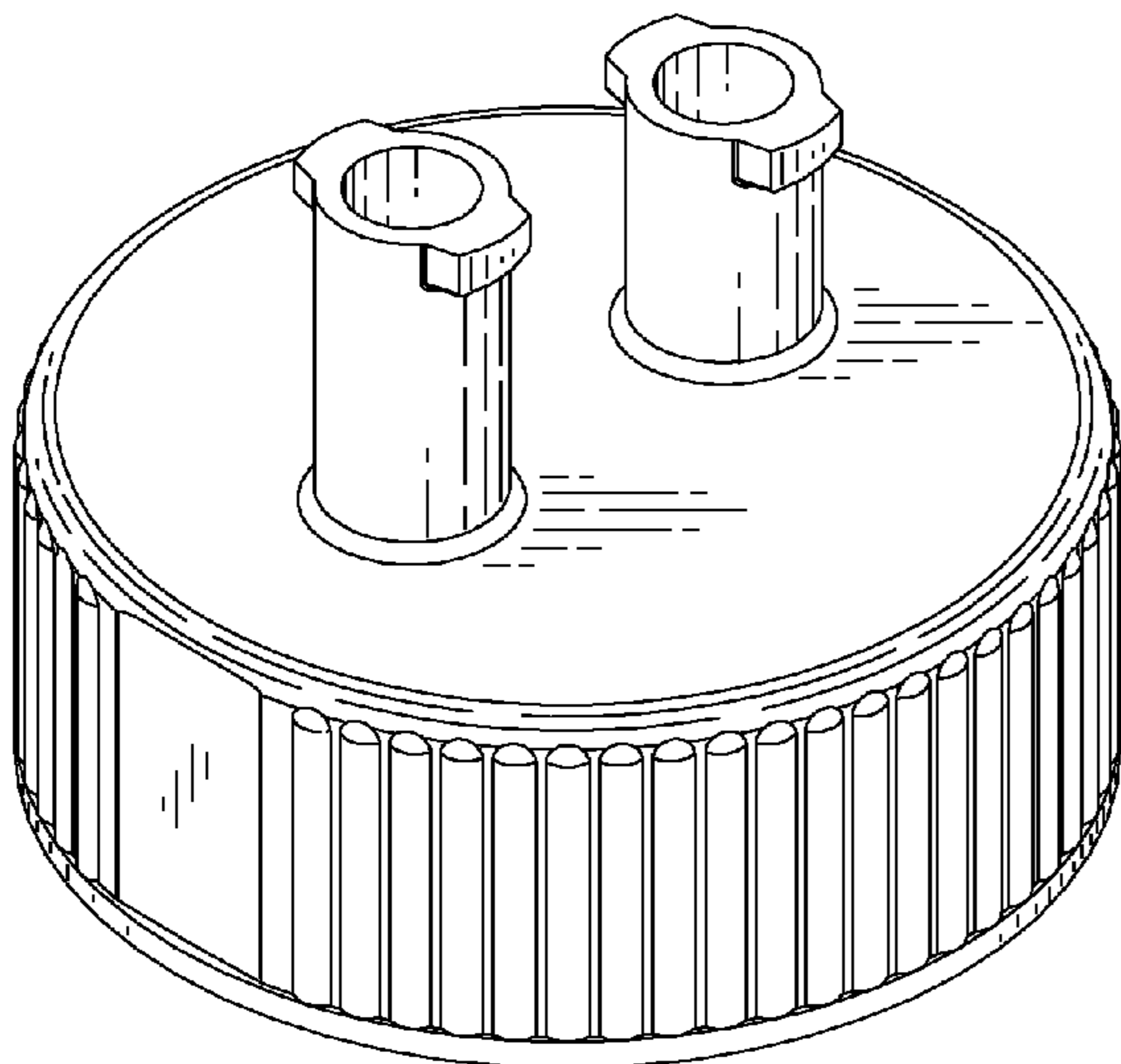
(57) **CLAIM**

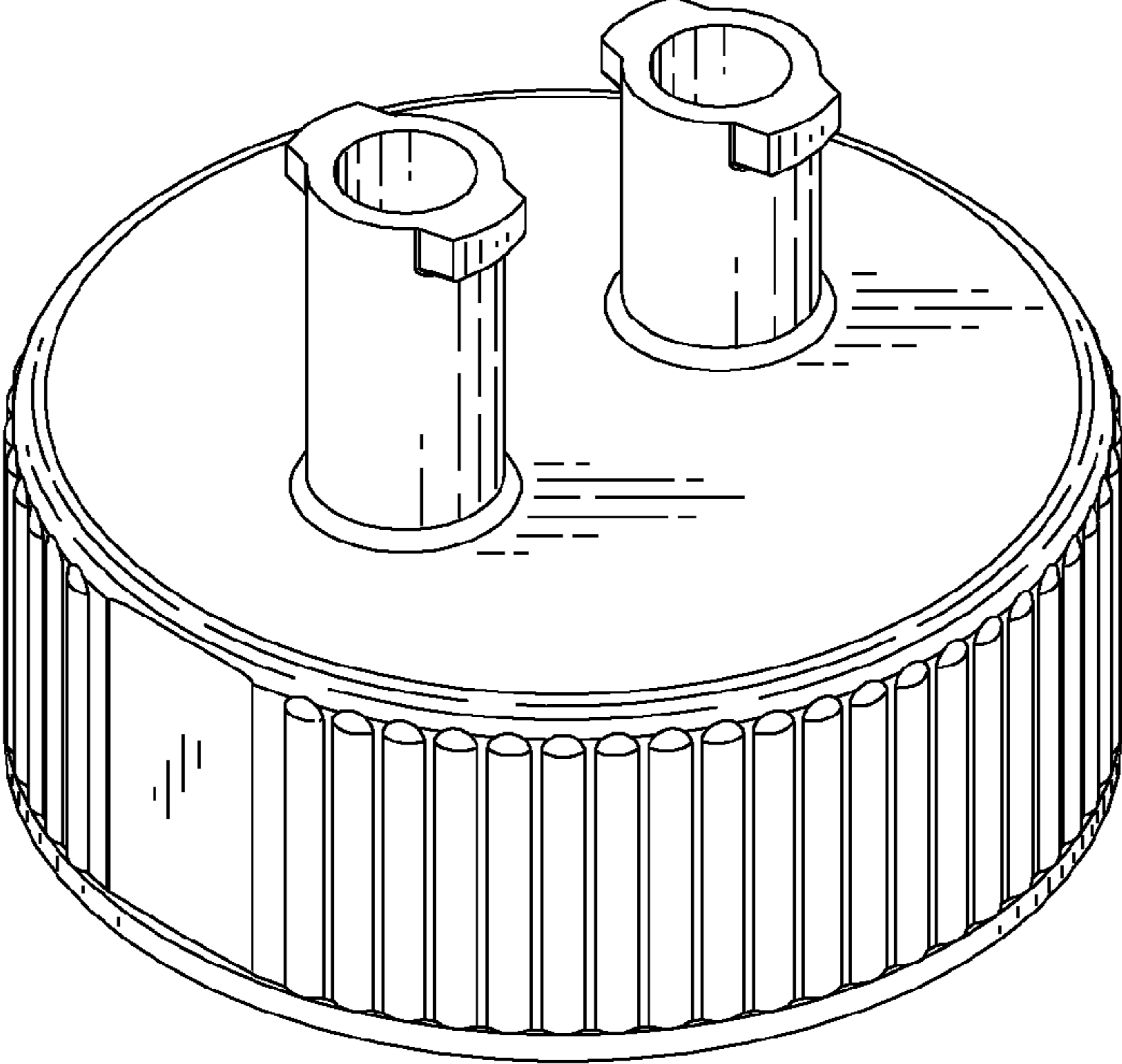
The ornamental design for a container cap, as shown and described.

**DESCRIPTION**

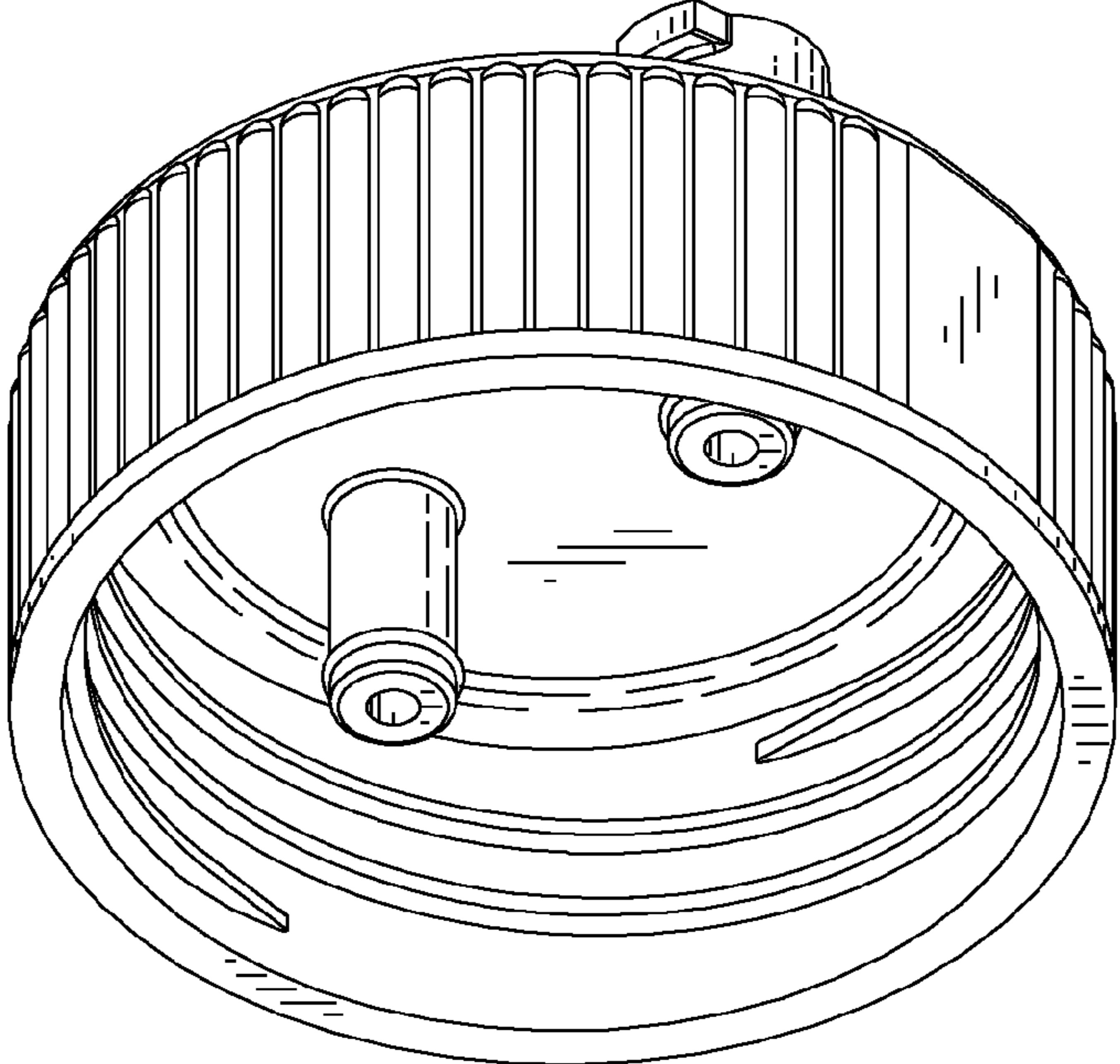
FIG. 1 is a top perspective view of the container cap of the present invention showing our new design; FIG. 2 is a bottom perspective view thereof; FIG. 3 is a top plan view thereof; FIG. 4 is a front elevational view thereof; FIG. 5 is a side elevational view thereof; FIG. 6 is a bottom plan view thereof; and, FIG. 7 is a rear elevational view thereof.

**1 Claim, 2 Drawing Sheets**

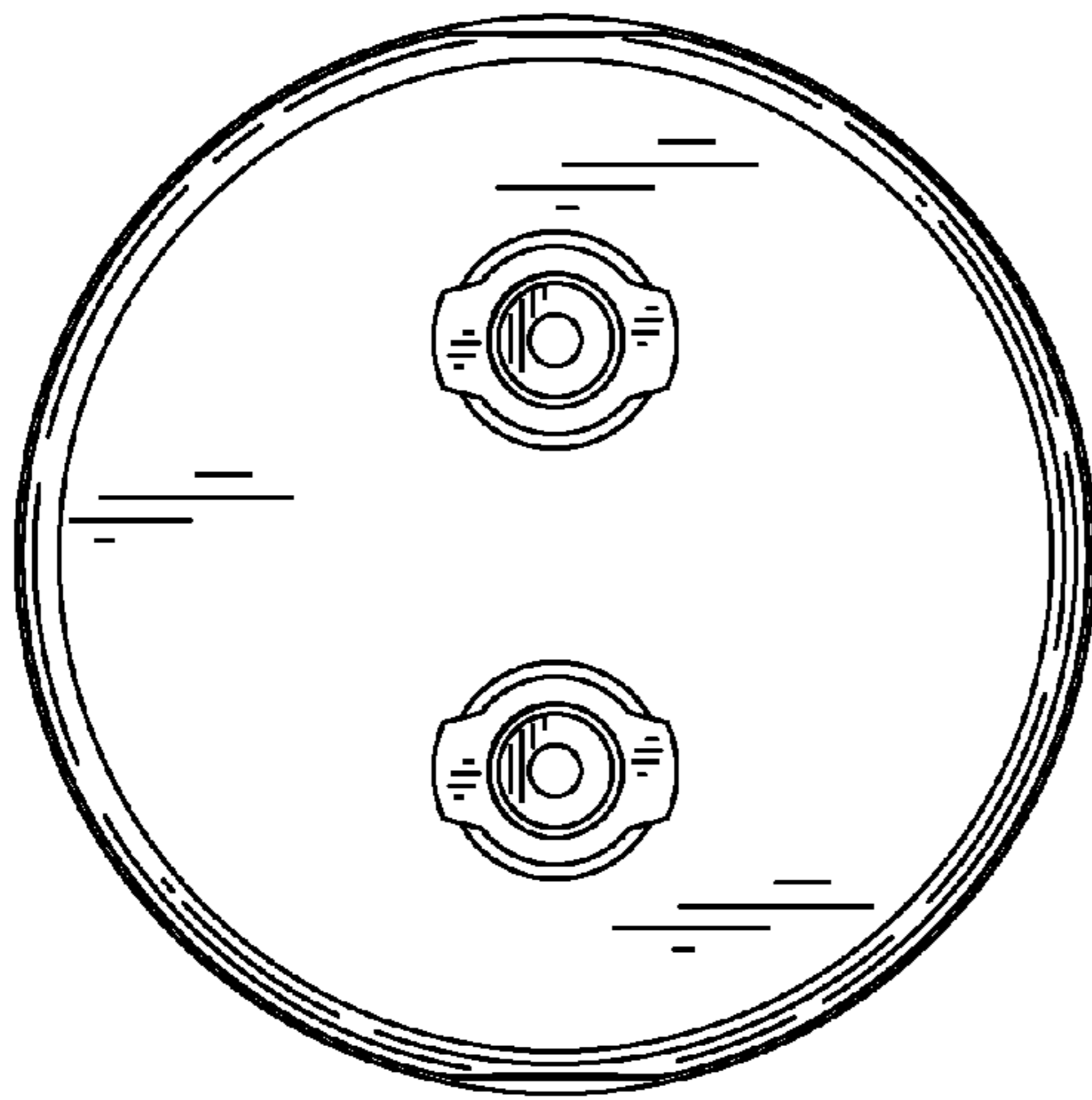




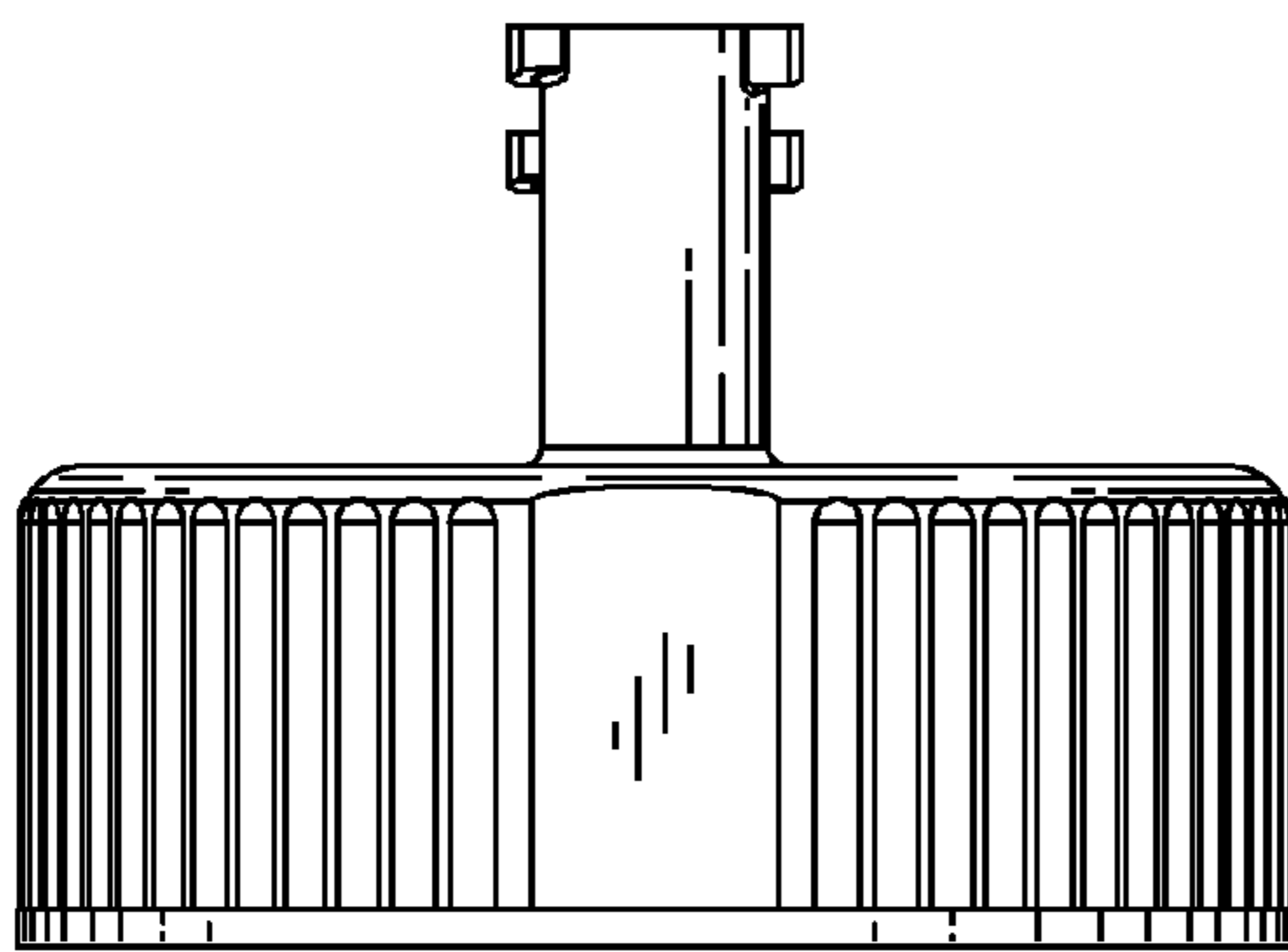
*Fig. 1*



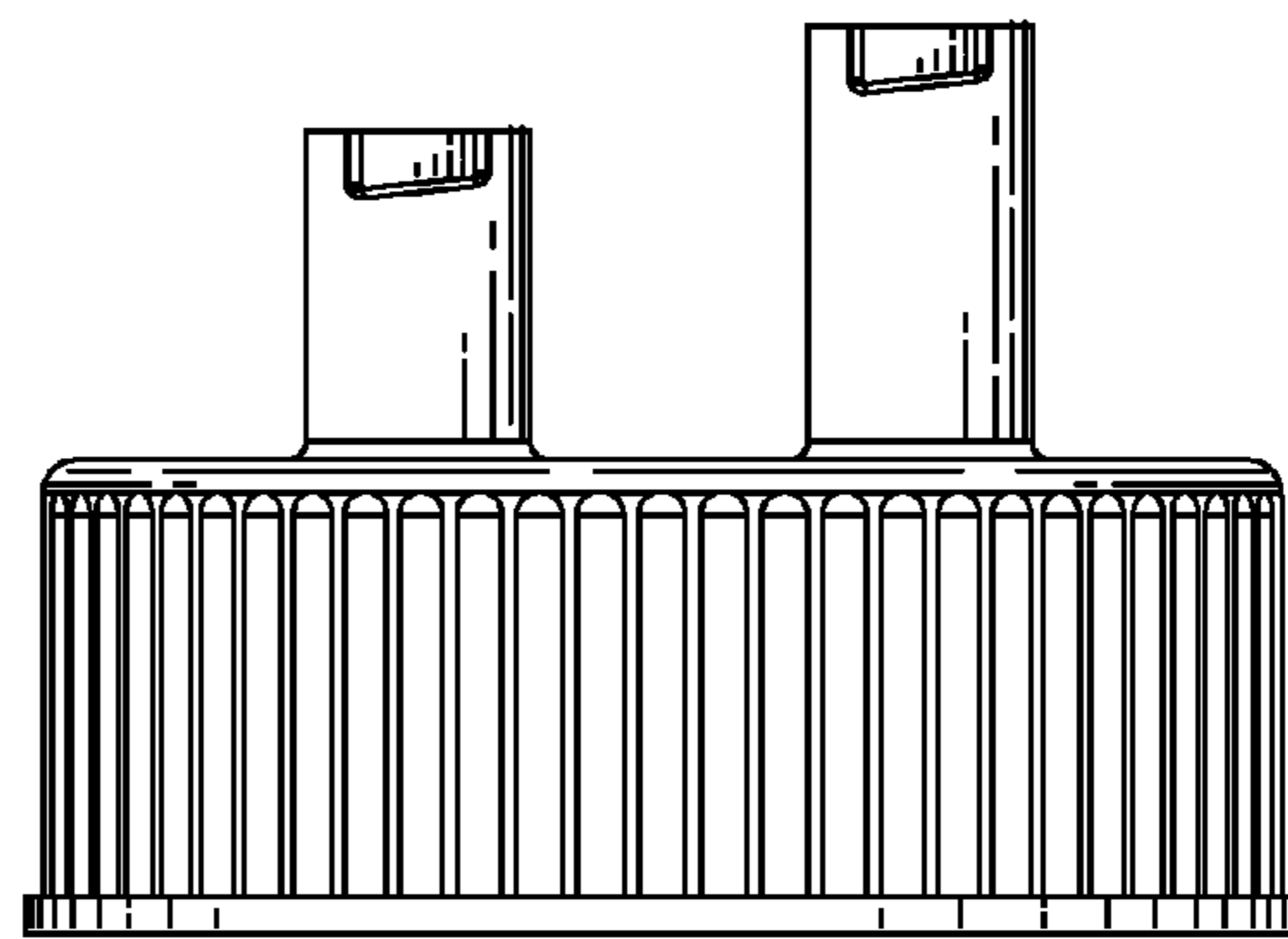
*Fig. 2*



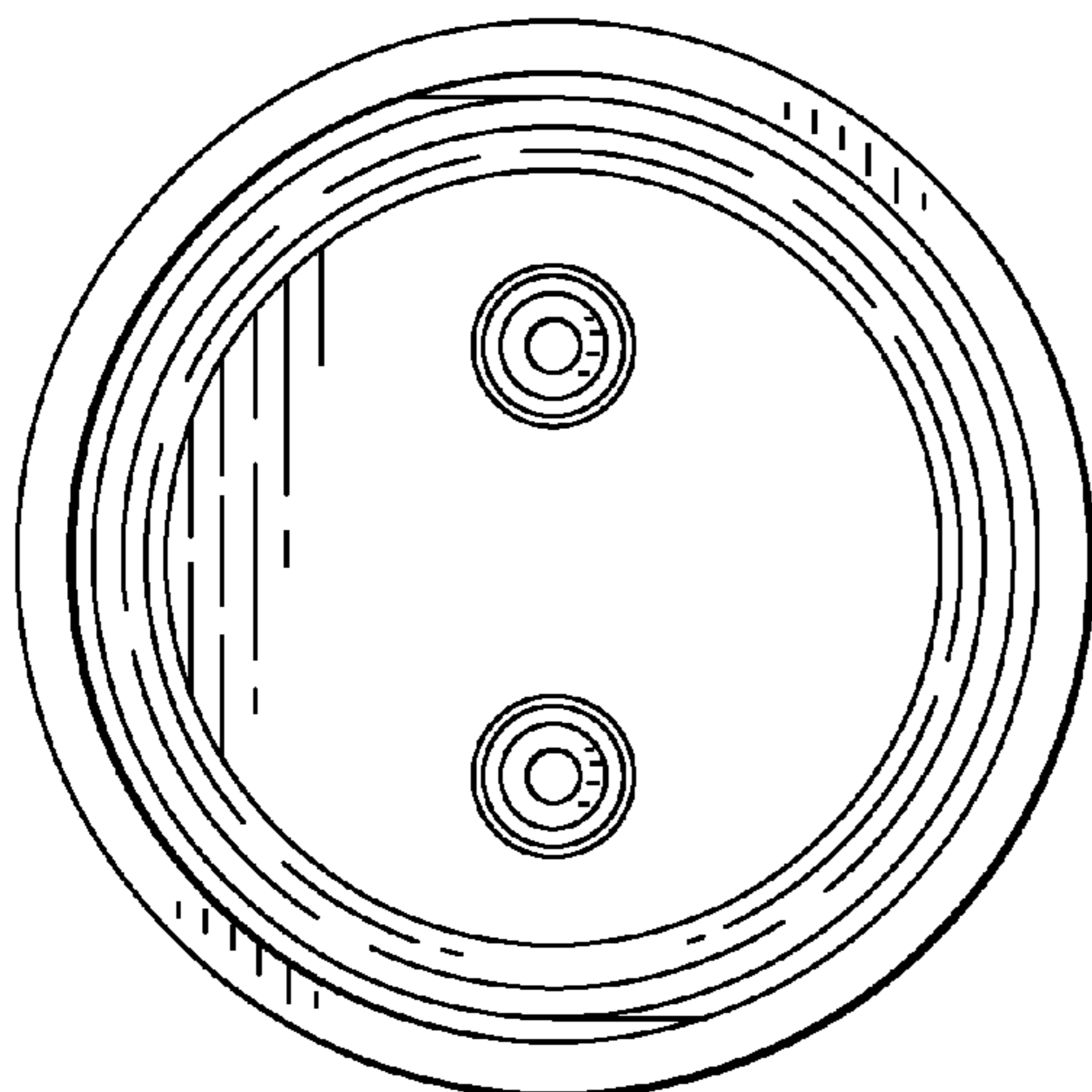
*Fig. 3*



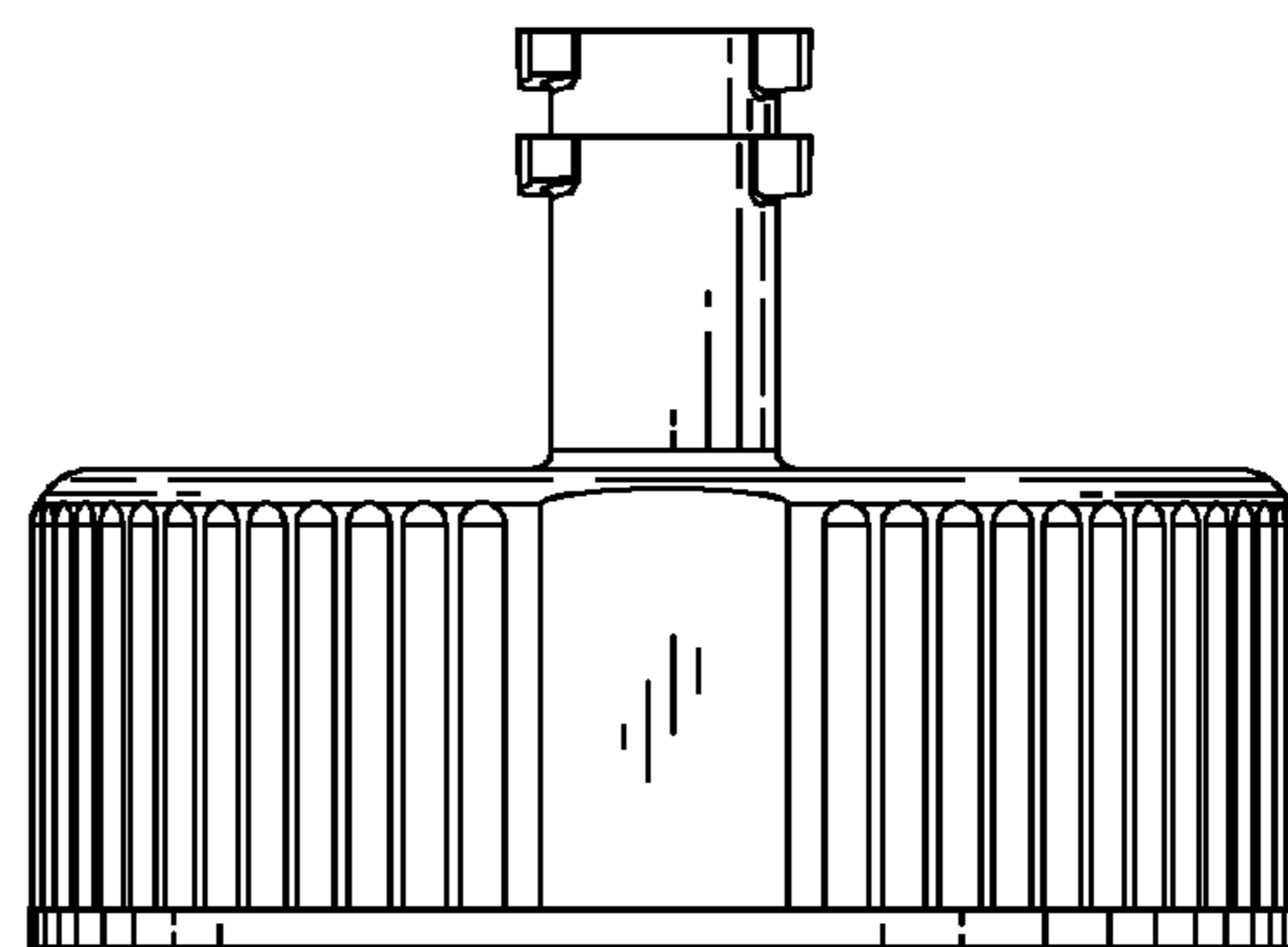
*Fig. 4*



*Fig. 5*



*Fig. 6*



*Fig. 7*