

US00D705058S

(12) **United States Design Patent**  
**Kim**

(10) **Patent No.:** **US D705,058 S**

(45) **Date of Patent:** **\*\* May 20, 2014**

(54) **LID OF CUP**

(75) Inventor: **Sung Il Kim**, Gyeonggi-do (KR)

(73) Assignee: **K & Lab Co., Ltd.**, Anyang si  
Dongan-Gu, Gyeonggi-Do (KR)

(\*\*) Term: **14 Years**

(21) Appl. No.: **29/414,015**

(22) Filed: **Feb. 23, 2012**

(30) **Foreign Application Priority Data**

Aug. 23, 2011 (KR) ..... 30-2011-0035110

Sep. 20, 2011 (KR) ..... 30-2011-0039052

(51) **LOC (10) Cl.** ..... **09-07**

(52) **U.S. Cl.**  
USPC ..... **D9/447; D9/454**

(58) **Field of Classification Search**  
USPC ..... D9/449, 447, 438, 435, 434; D7/510,  
D7/511, 396.2, 392.1; 229/906.1; 220/812,  
220/713, 268, 254.9, 254.3, 253  
See application file for complete search history.

(56) **References Cited**

**U.S. PATENT DOCUMENTS**

D287,919 S \* 1/1987 Clements ..... D7/392.1  
D320,559 S \* 10/1991 Olson ..... D9/439  
5,509,568 A \* 4/1996 Warden et al. .... 220/711  
D415,651 S \* 10/1999 Trombly ..... D7/392.1  
D417,845 S \* 12/1999 Sadlier et al. .... D9/447  
D474,068 S \* 5/2003 Fujii et al. .... D7/392.1  
D539,650 S \* 4/2007 Smith et al. .... D9/454

D543,777 S \* 6/2007 Seum et al. .... D7/392.1  
D631,284 S \* 1/2011 Fuller ..... D7/392.1  
D649,878 S \* 12/2011 Weiss ..... D9/447  
D655,160 S \* 3/2012 Daniel ..... D9/447  
D657,670 S \* 4/2012 Folos et al. .... D9/447  
D658,057 S \* 4/2012 Donat ..... D9/447  
D660,696 S \* 5/2012 Weiss ..... D9/447  
2006/0071008 A1\* 4/2006 Sadlier ..... 220/713  
2008/0011762 A1\* 1/2008 Boone ..... 220/713  
2011/0139800 A1\* 6/2011 Urban ..... 220/713

\* cited by examiner

*Primary Examiner* — Robert M Spear

(74) *Attorney, Agent, or Firm* — Kile Park Reed & Houtteman PLLC

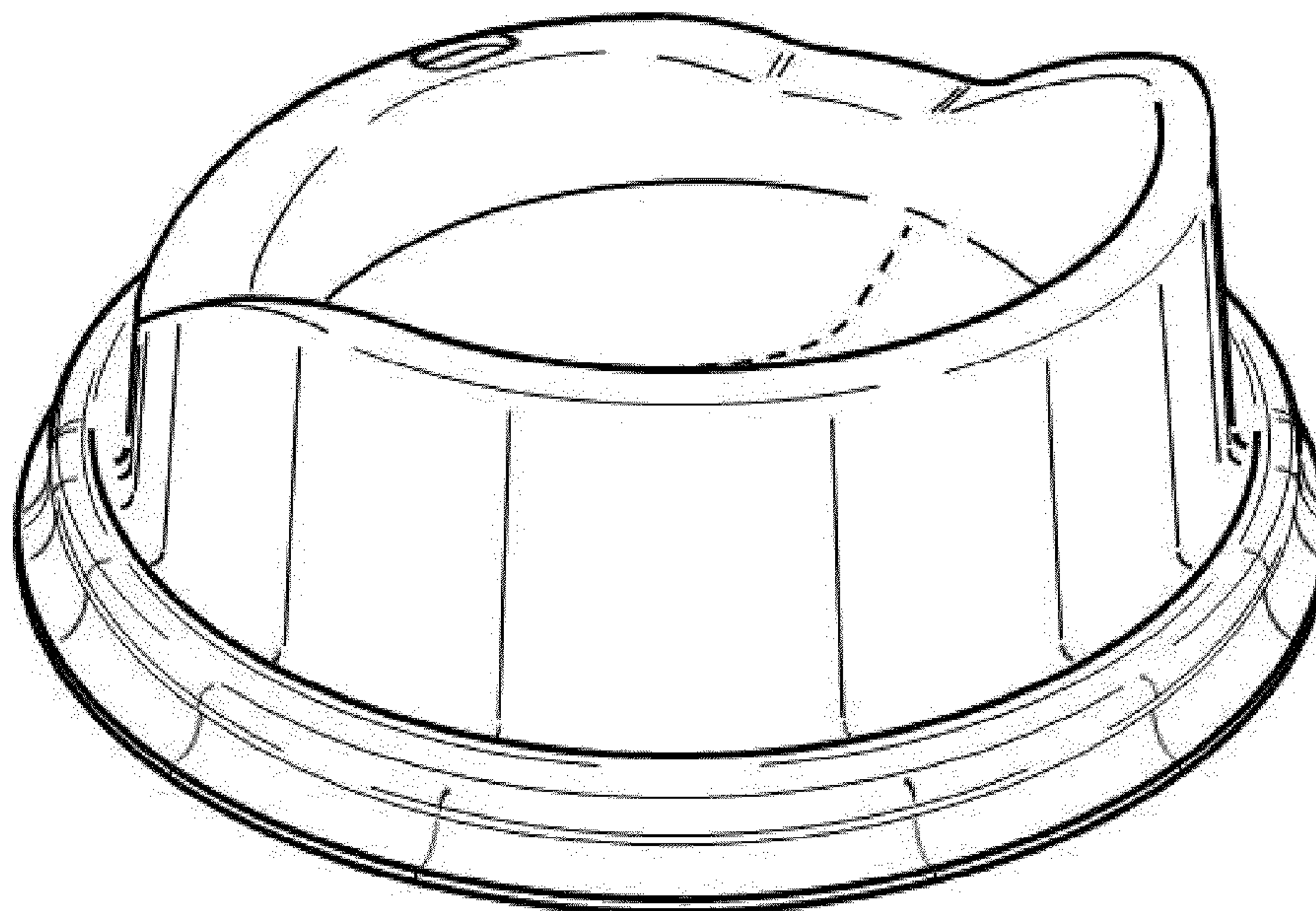
(57) **CLAIM**

I claim, the ornamental design for an lid of cup, as shown and described.

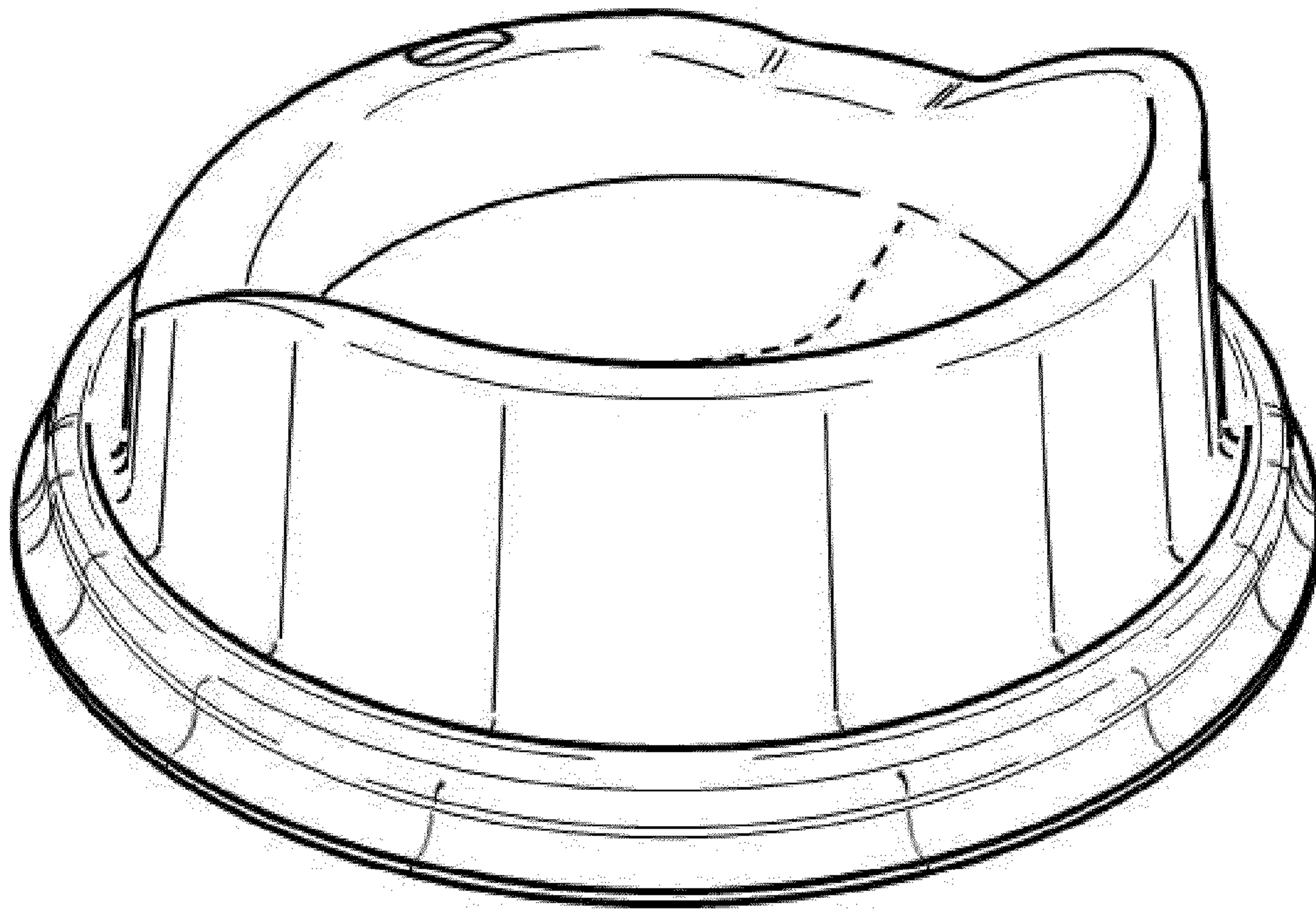
**DESCRIPTION**

FIG. 1 is a top and front perspective view of an lid of cup, showing my new design;  
FIG. 2 is a front elevational view thereof;  
FIG. 3 is a rear elevational view thereof;  
FIG. 4 is a left side elevational view thereof;  
FIG. 5 is a right side elevational view thereof;  
FIG. 6 is a top plan view thereof; and,  
FIG. 7 is a bottom plan view thereof.  
The broken lines shown in FIGS. 1, 6 and 7 are included for the purpose of illustrating portions of the lid of cup that form no part of the claimed design.

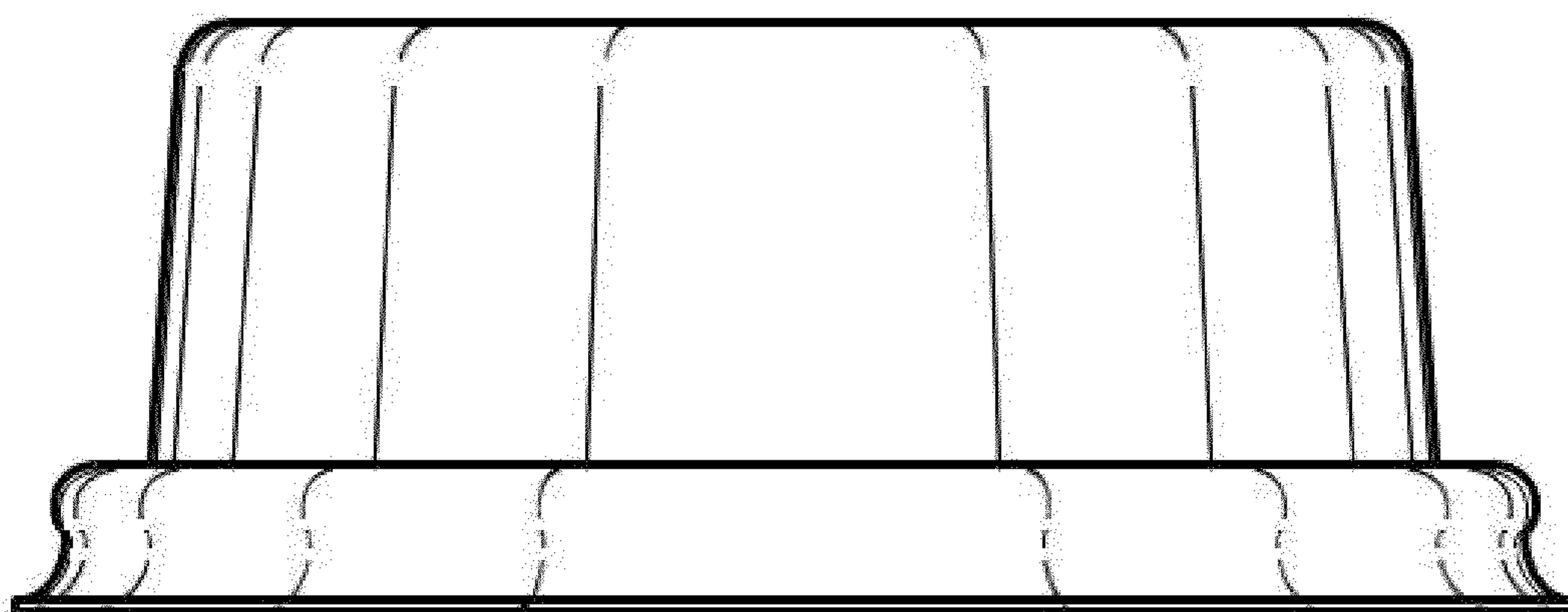
**1 Claim, 5 Drawing Sheets**



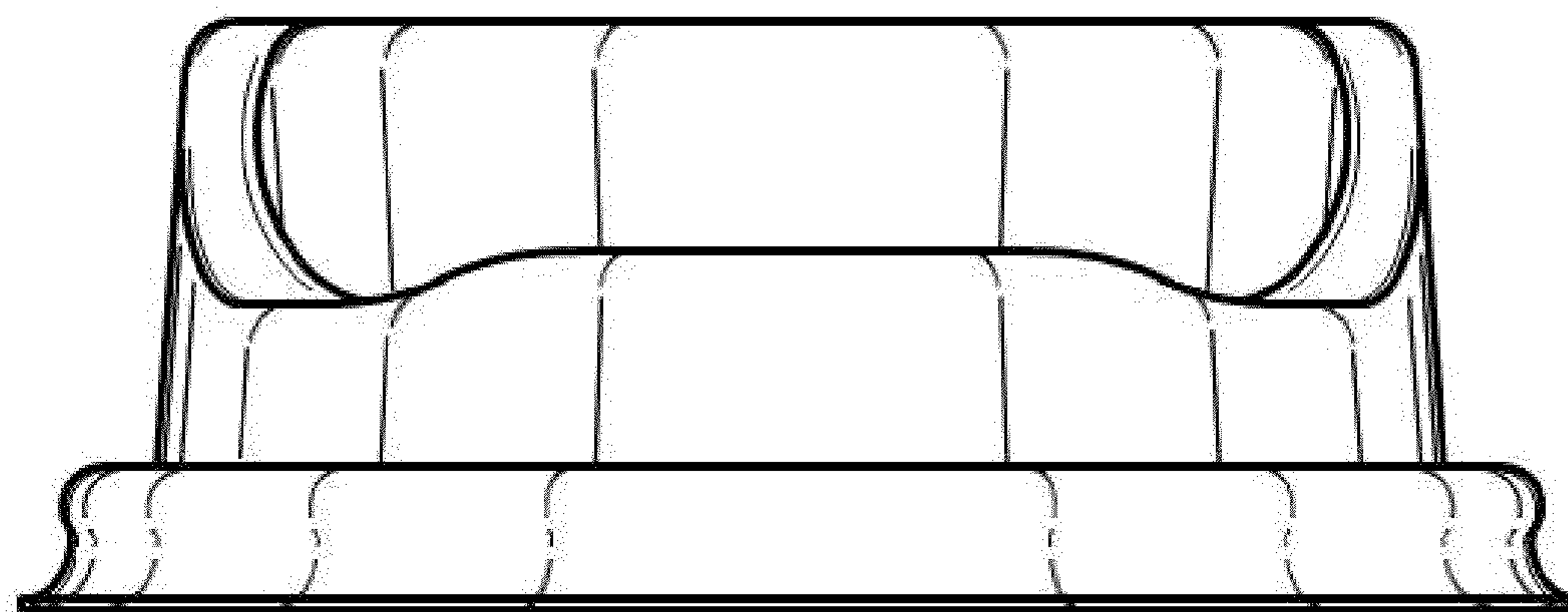
**Fig. 1**



**Fig. 2**

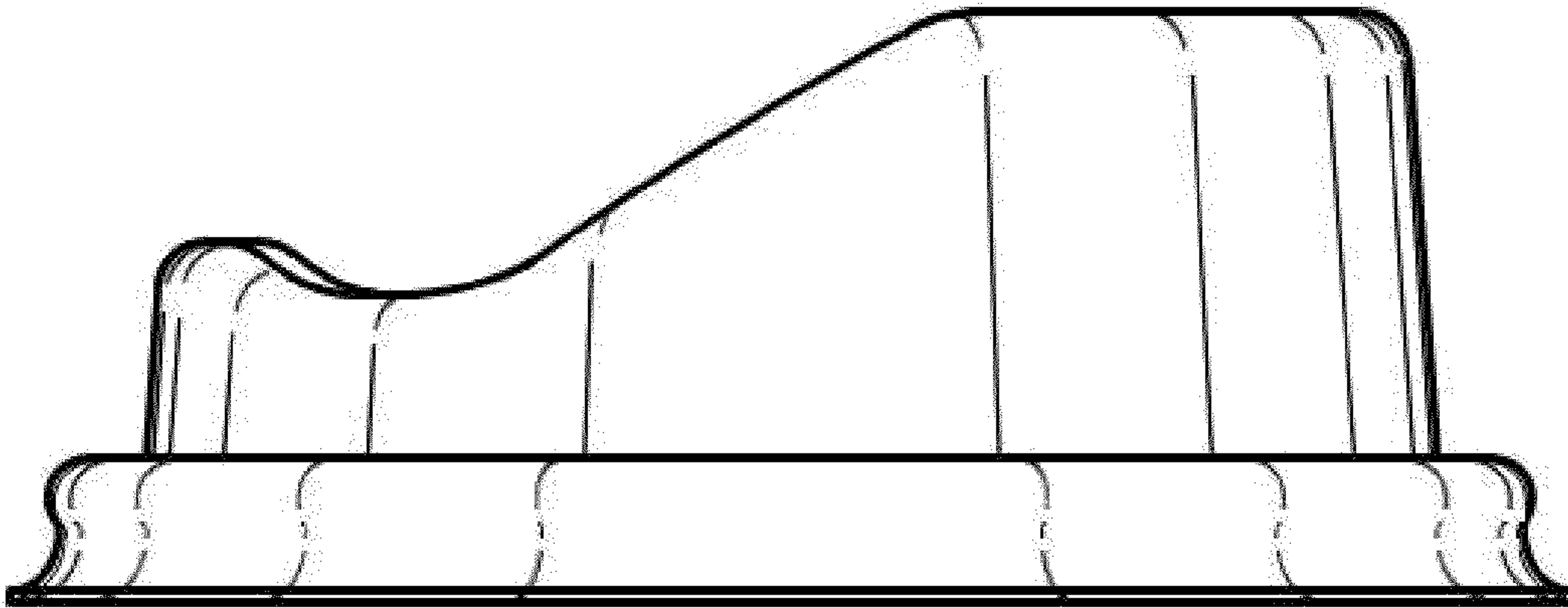


**Fig. 3**

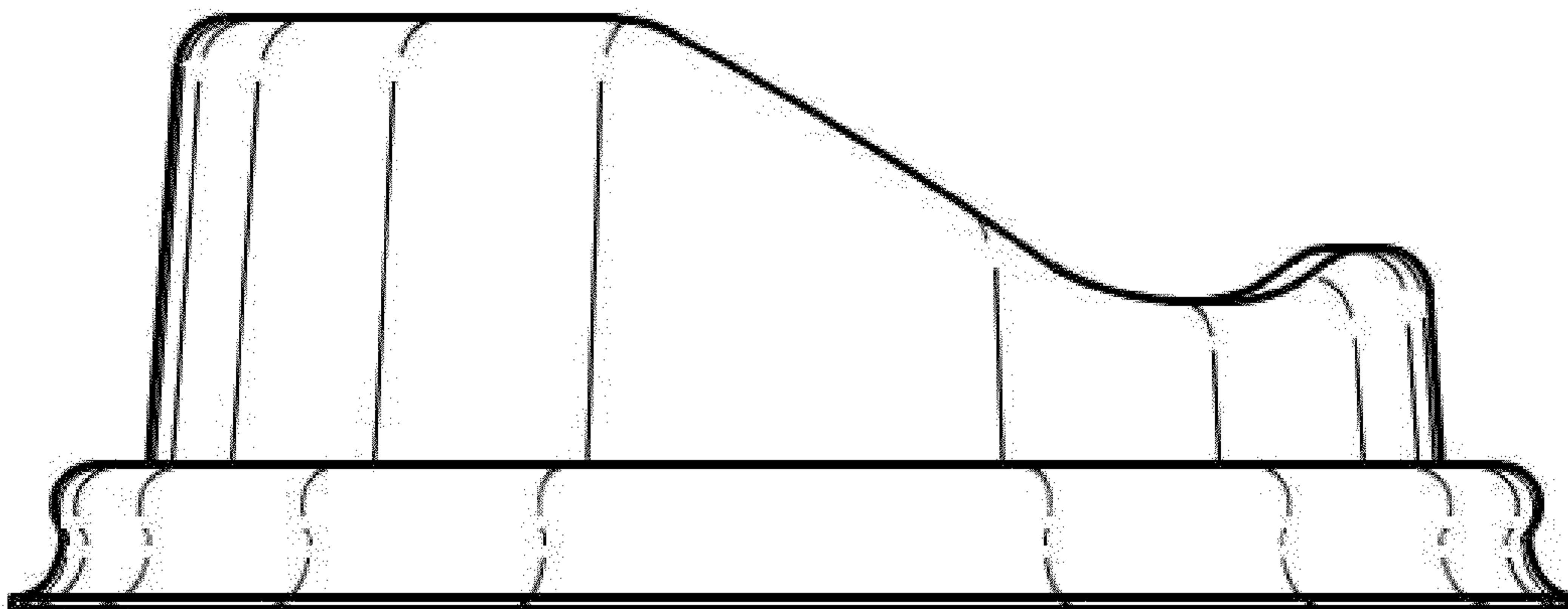




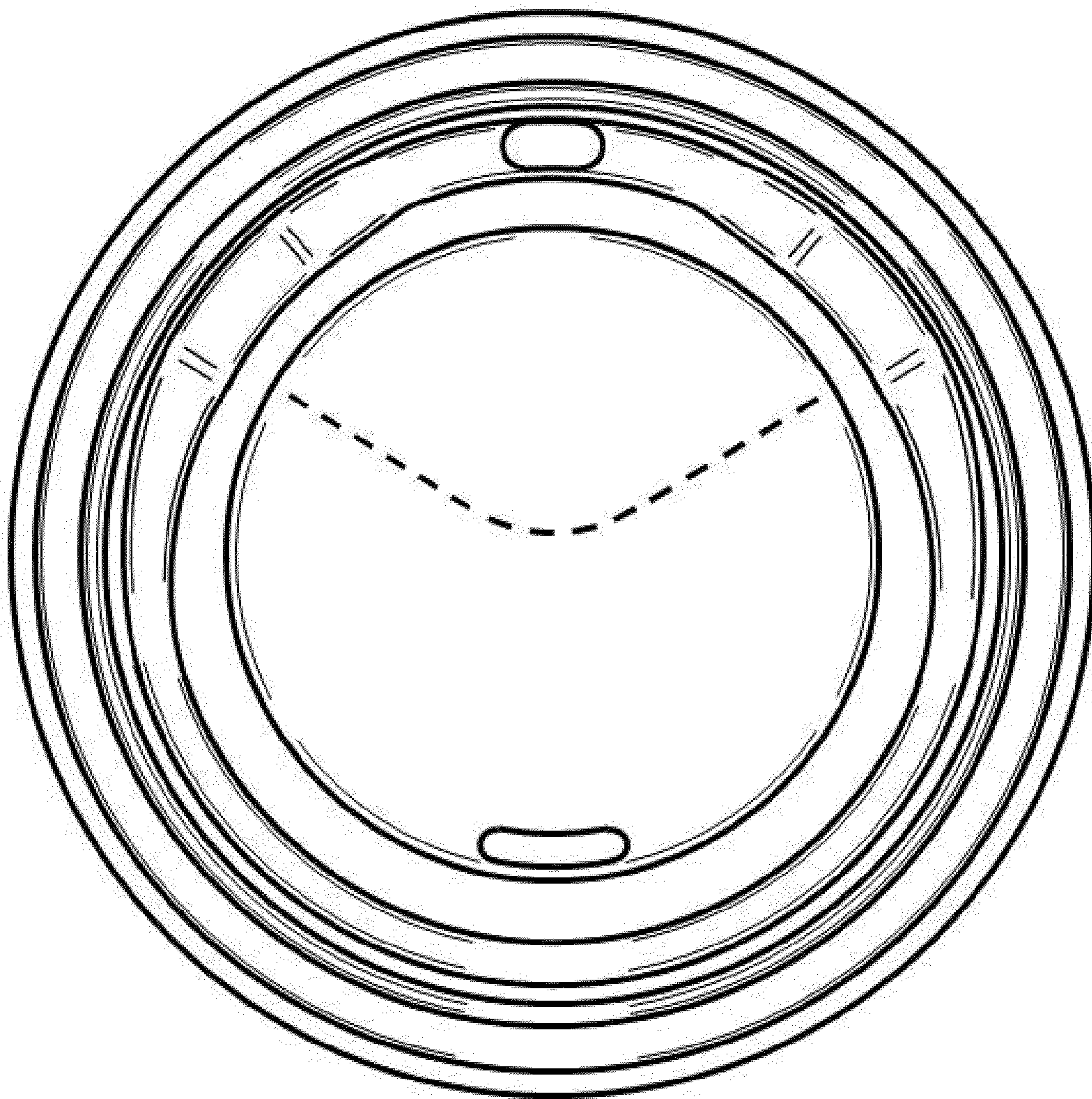
**Fig. 4**



**Fig. 5**



**Fig. 6**





**Fig. 7**

