



US00D705055S

(12) **United States Design Patent**
Donaldson

(10) **Patent No.:** **US D705,055 S**

(45) **Date of Patent:** **** May 20, 2014**

(54) **FOOD BOX COVERING DEVICE**

(76) Inventor: **Ceylene M. Donaldson**, Pembroke Pines, FL (US)

(**) Term: **14 Years**

(21) Appl. No.: **29/409,197**

(22) Filed: **Dec. 21, 2011**

Related U.S. Application Data

(63) Continuation-in-part of application No. 12/491,991, filed on Jun. 25, 2009, now abandoned.

(51) **LOC (10) Cl.** **09-07**

(52) **U.S. Cl.**
USPC **D9/434**

(58) **Field of Classification Search**
USPC D9/454, 453, 449, 447, 446, 443, 440, D9/439, 417; D7/396.2, 392.1; 222/556, 222/484; 220/837, 715, 259.2, 220/254.2-254.5; 215/306, 235, 236
See application file for complete search history.

(56) **References Cited**

U.S. PATENT DOCUMENTS

1,240,563	A	9/1917	Griffith et al.	
3,094,244	A *	6/1963	White	222/23
3,180,552	A *	4/1965	Atkinson, Jr.	229/204
3,265,282	A *	8/1966	Maxwell	229/125.08
3,381,883	A	5/1968	Harris	
3,550,837	A *	12/1970	Erb	229/125.37
3,606,133	A	9/1971	Meyers	
3,733,022	A *	5/1973	Kapiloff	229/125.08
D253,864	S	1/1980	Glaser	
4,249,693	A *	2/1981	Diaz	229/125.03

4,579,246	A	4/1986	Swearingen et al.	
4,583,679	A	4/1986	Johnson	
4,693,414	A *	9/1987	Allen	229/125.02
4,768,703	A *	9/1988	Sosler et al.	229/123.1
4,771,936	A	9/1988	Dolby	
5,115,966	A *	5/1992	McKibben et al.	229/125.03
5,505,374	A *	4/1996	Stone	229/227
5,636,732	A	6/1997	Gilels et al.	
D449,782	S *	10/2001	Diaz	D7/629
6,484,931	B1 *	11/2002	Hofte	229/149
6,688,515	B1	2/2004	Huffman et al.	
6,709,684	B2 *	3/2004	Loth	426/5
2004/0206757	A1	10/2004	Hall et al.	

* cited by examiner

Primary Examiner — Randall Gholson

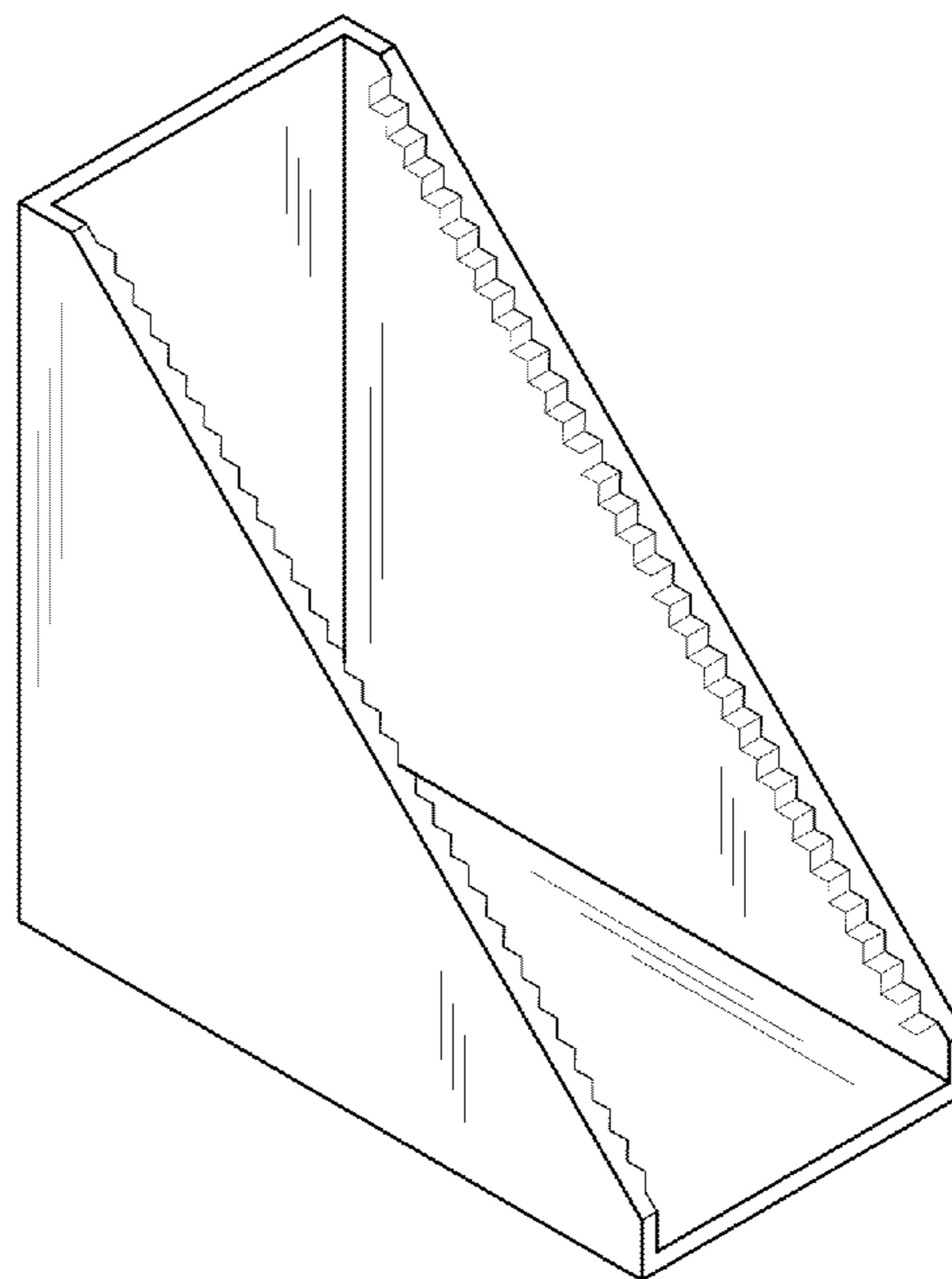
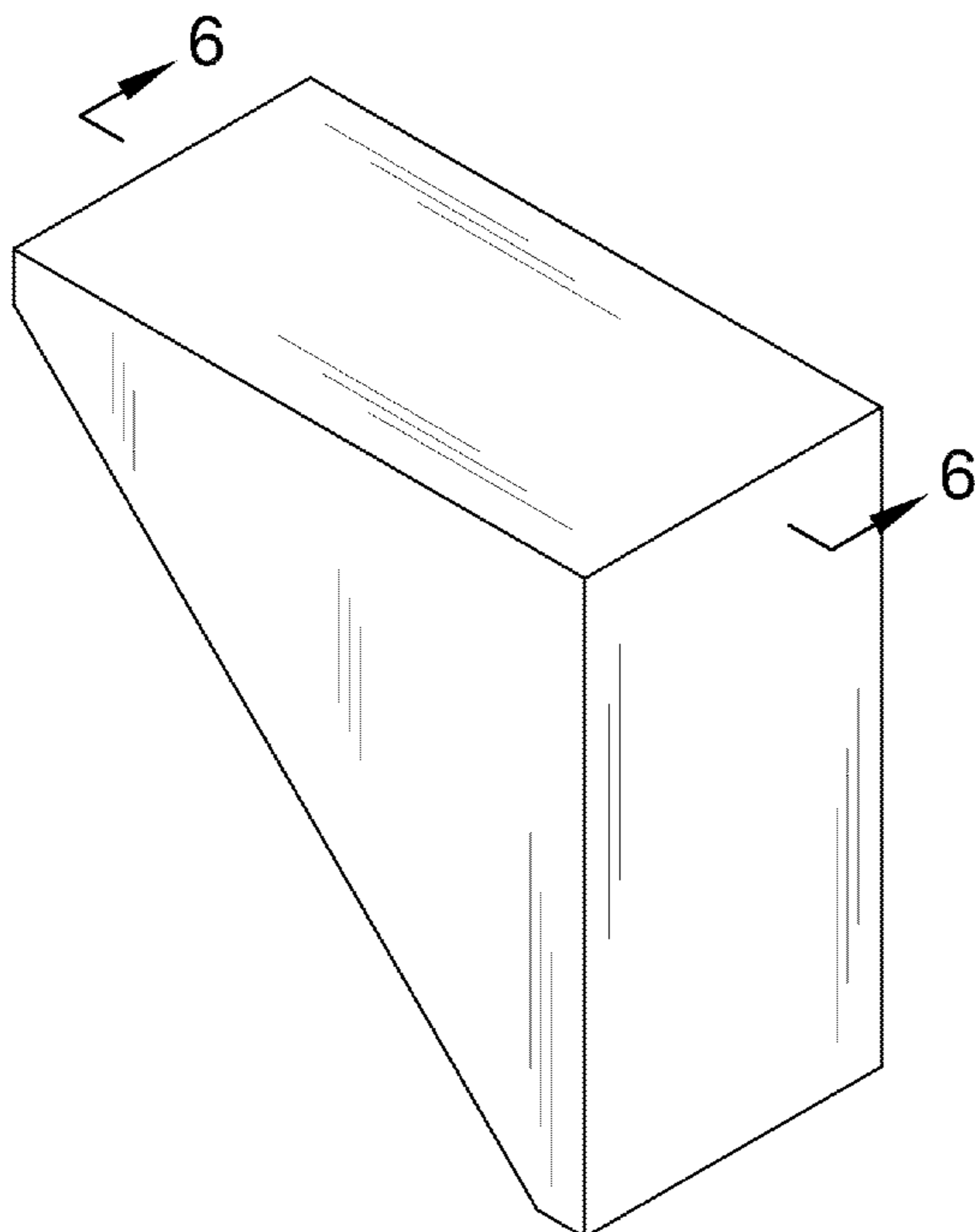
(57) **CLAIM**

The ornamental design for a food box covering device, as shown and described.

DESCRIPTION

FIG. 1 is a perspective back view of a food box covering device showing my new design;
FIG. 2 is a perspective front view thereof;
FIG. 3 is a bottom view thereof;
FIG. 4 is a side view (opposite side view is mirror image) thereof;
FIG. 5 is a top view thereof;
FIG. 6 is a cross-sectional view of FIG. 1 thereof; and,
FIG. 7 is another perspective back view in a condition of use. In FIG. 7, the broken lines showing of environmental structure for purposes of illustrating the food box covering device in a condition of use. The broken lines and the structure they depict form no part of the claimed design.

1 Claim, 3 Drawing Sheets



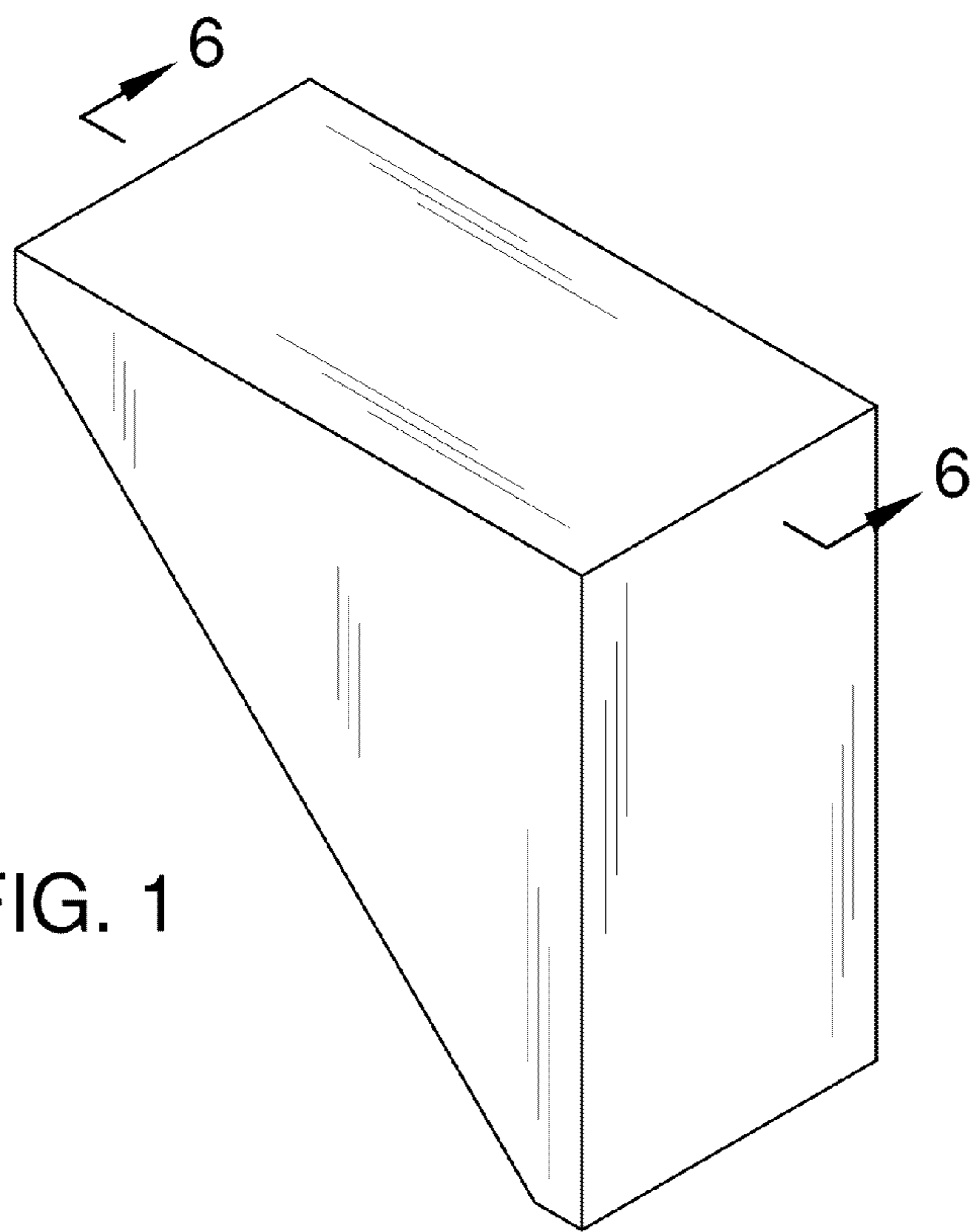


FIG. 1

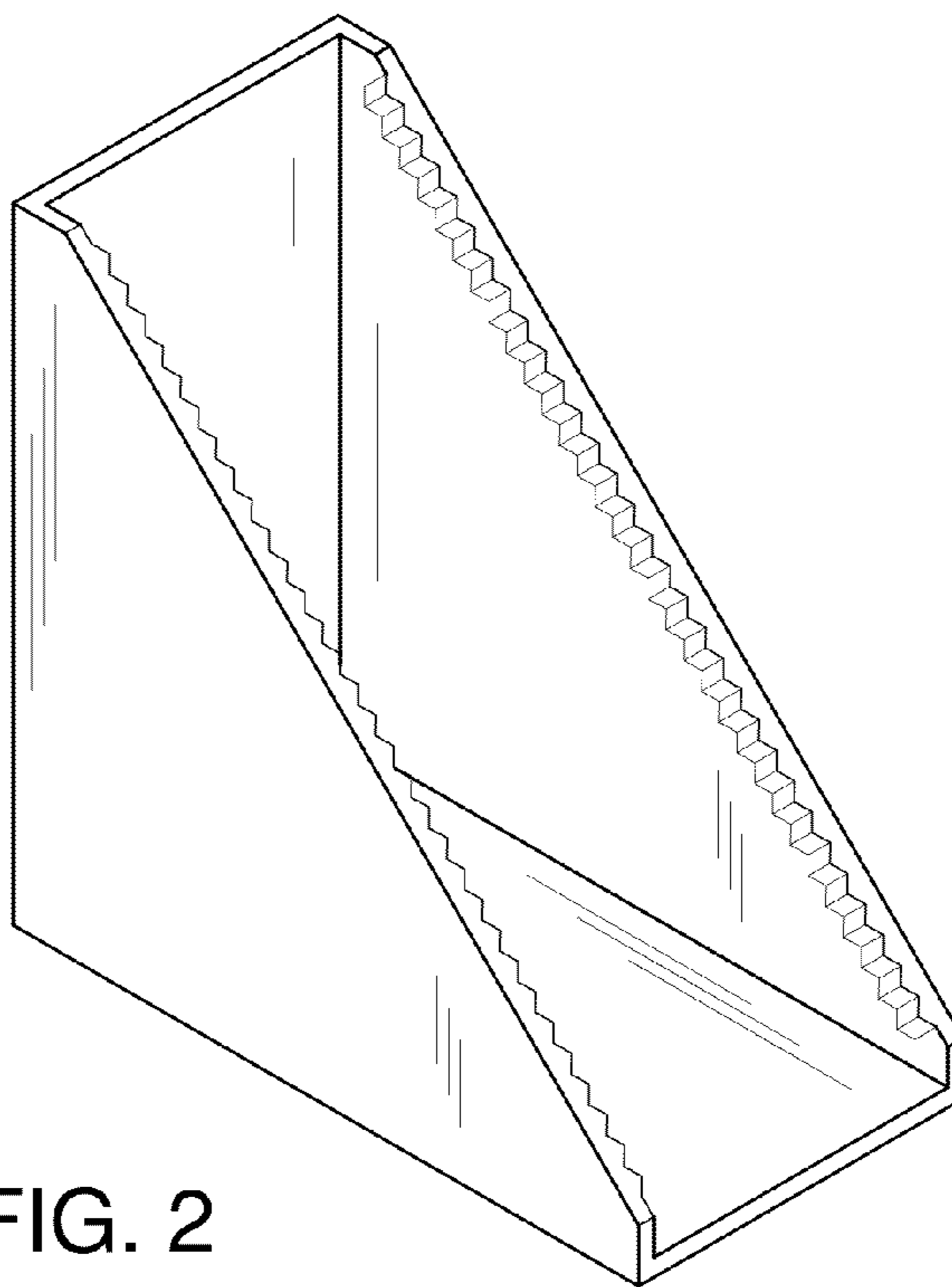


FIG. 2

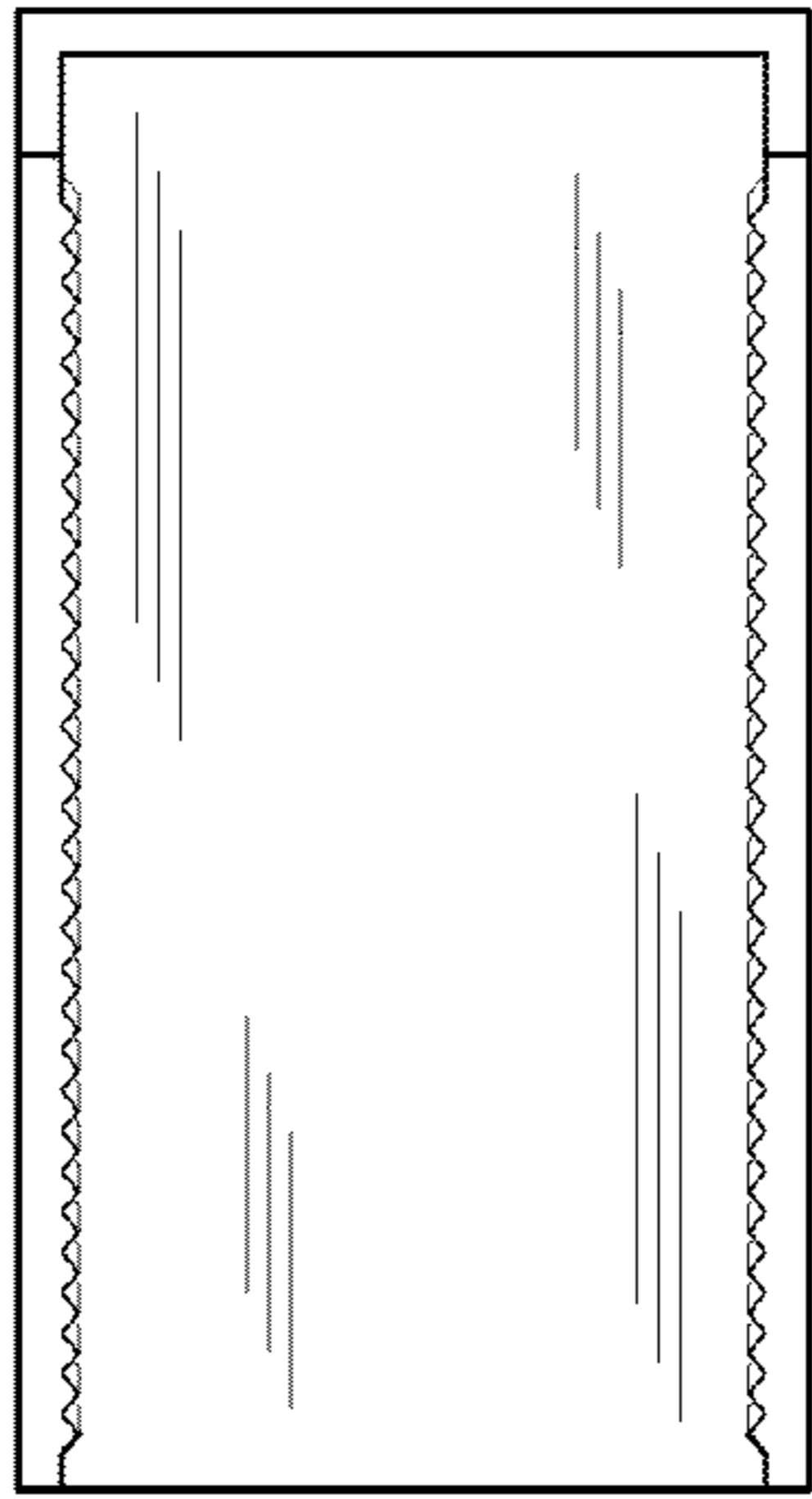


FIG. 3

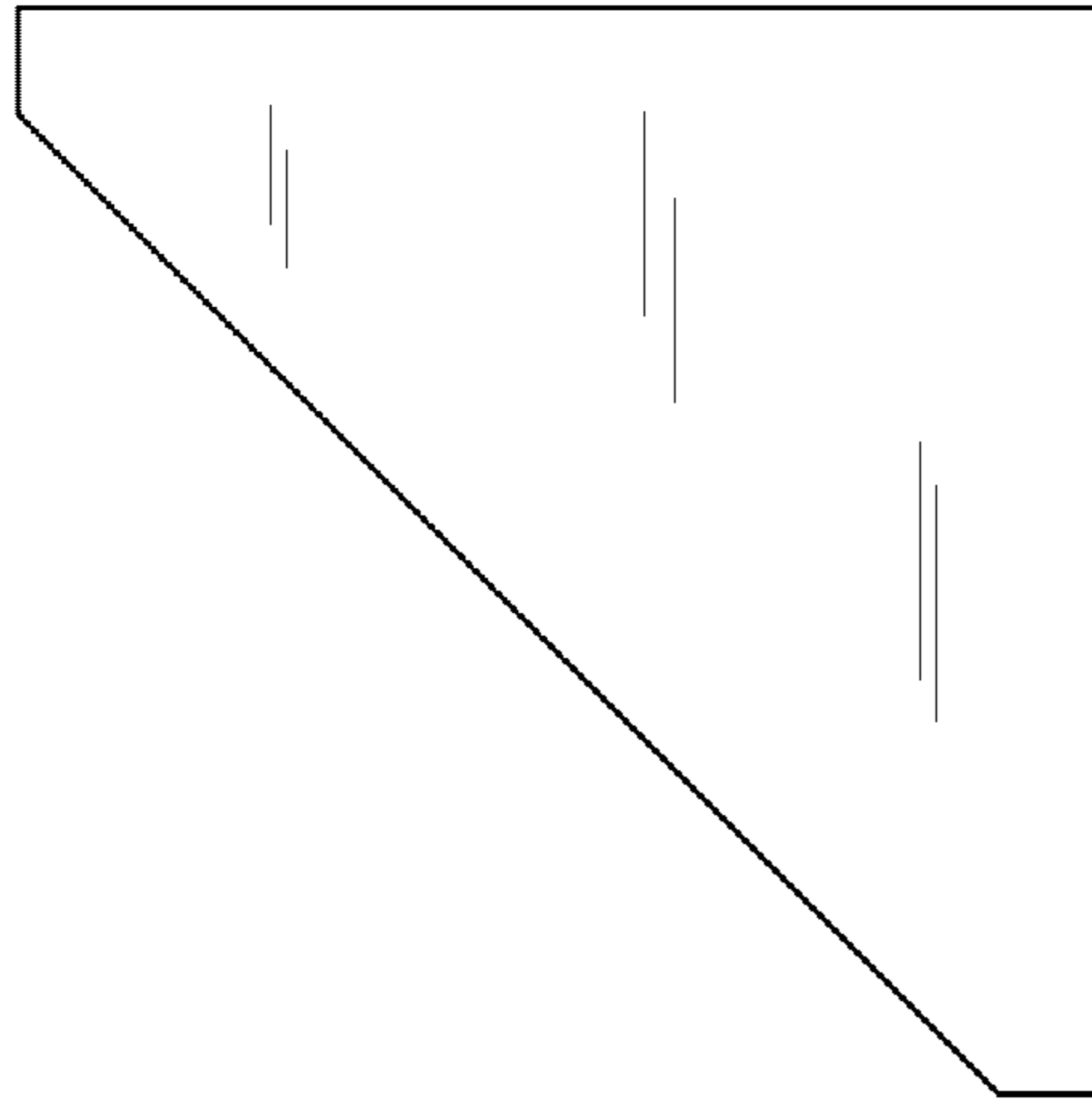


FIG. 4

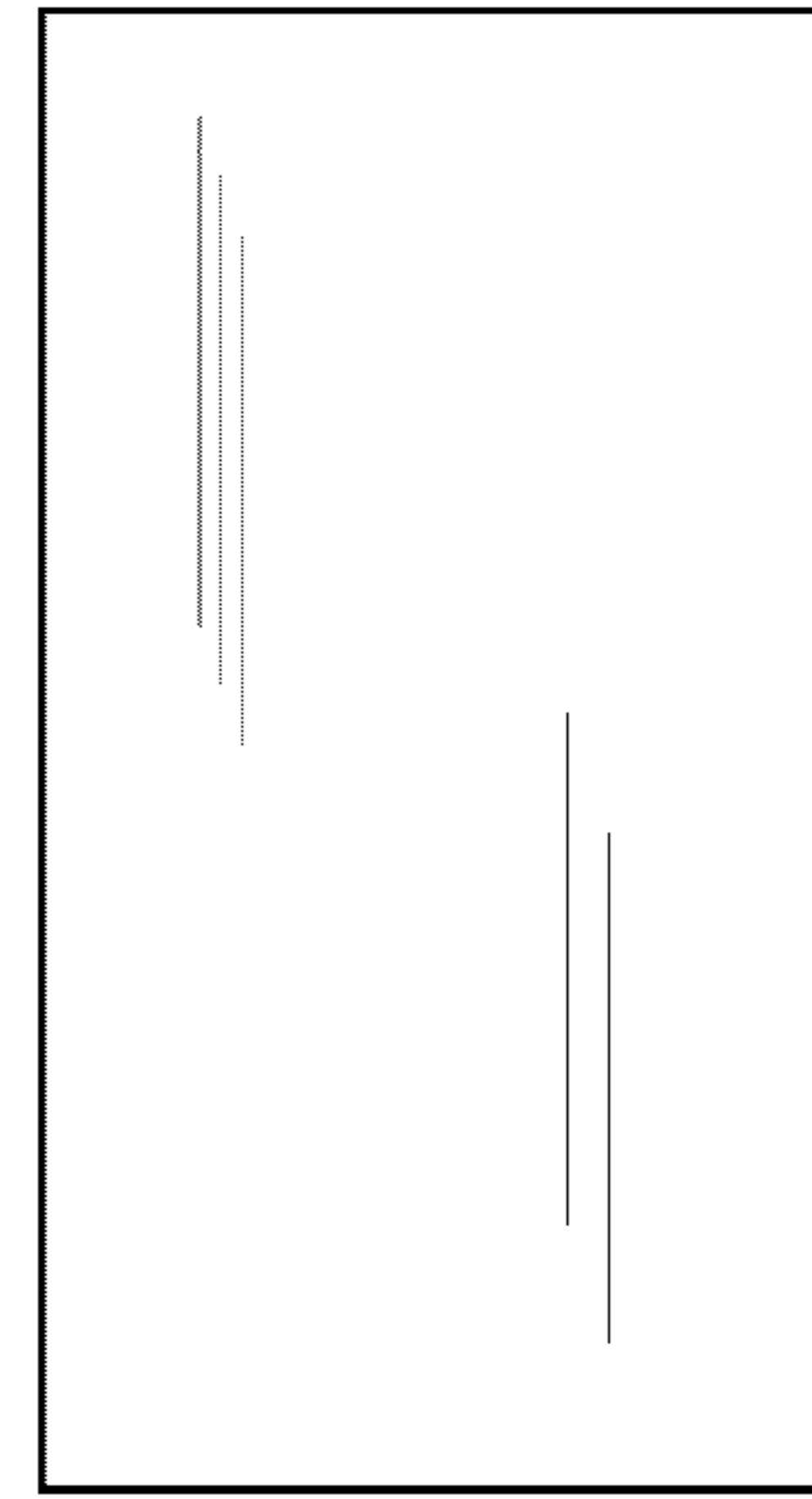


FIG. 5

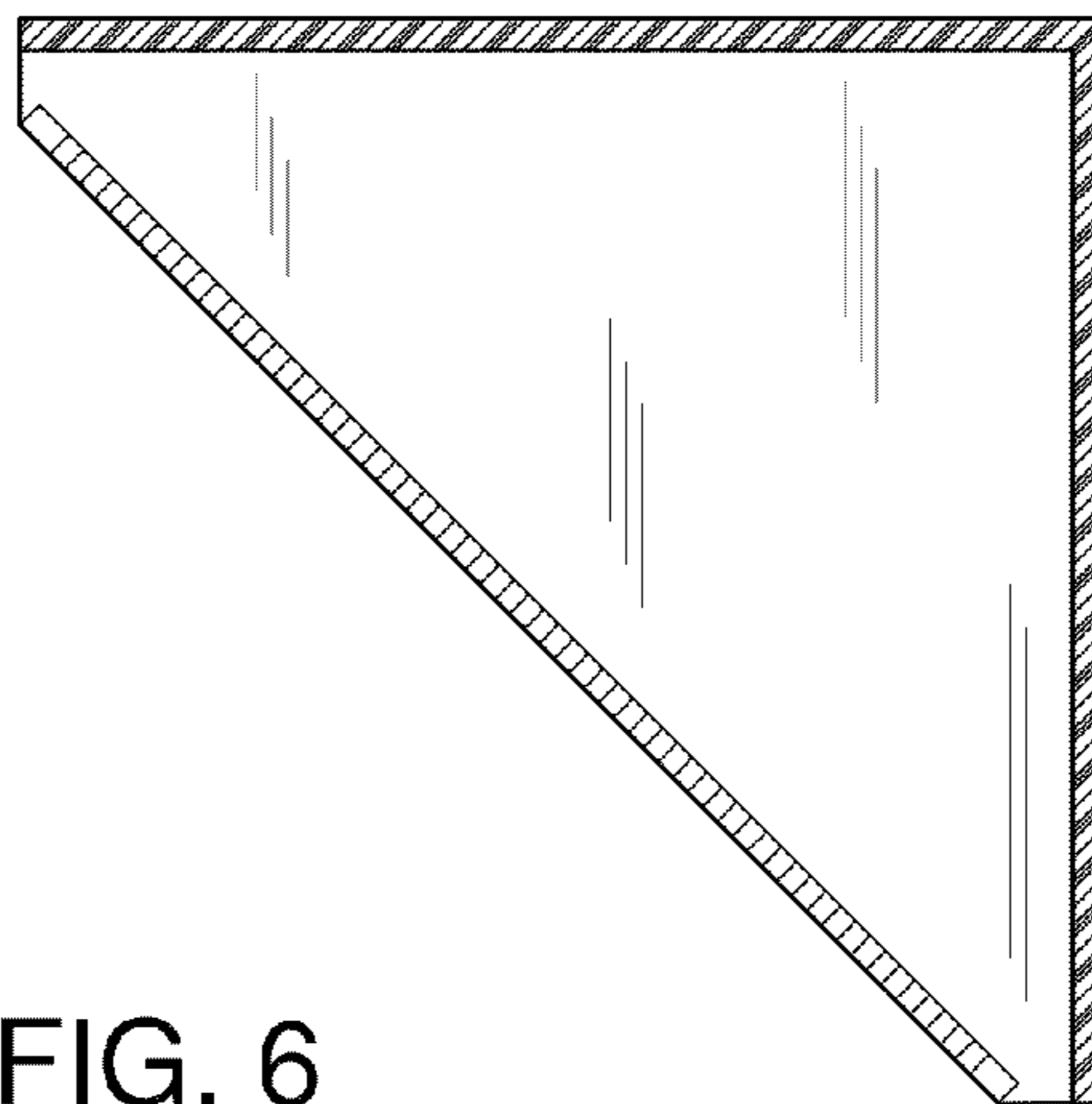


FIG. 6

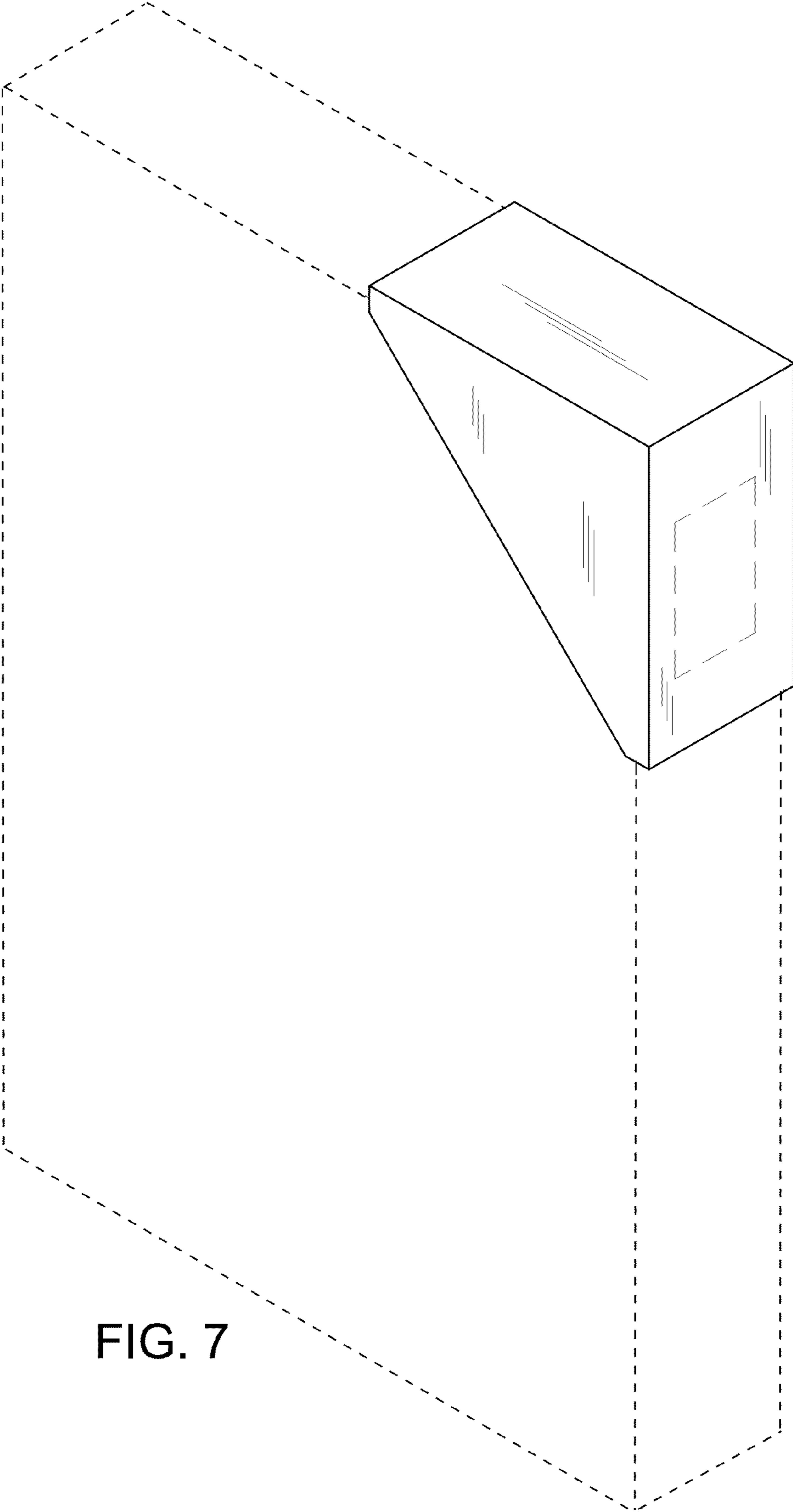


FIG. 7