



US00D705053S

(12) **United States Design Patent**
Nameth et al.

(10) **Patent No.:** **US D705,053 S**

(45) **Date of Patent:** **** May 20, 2014**

(54) **FOLDED CONTAINER**

(71) Applicants: **Tracy L. Nameth**, Chicago, IL (US);
Bradley J. Burke, Glendale Heights, IL
(US); **Ronald R. Werts, III**, Waupun,
WI (US); **Tracy Brock**, Waupun, WI
(US); **Todd Ruhbusch**, Holmen, WI
(US)

(72) Inventors: **Tracy L. Nameth**, Chicago, IL (US);
Bradley J. Burke, Glendale Heights, IL
(US); **Ronald R. Werts, III**, Waupun,
WI (US); **Tracy Brock**, Waupun, WI
(US); **Todd Ruhbusch**, Holmen, WI
(US)

(**) Term: **14 Years**

(21) Appl. No.: **29/449,261**

(22) Filed: **Mar. 14, 2013**

(51) **LOC (10) Cl.** **09-03**

(52) **U.S. Cl.**
USPC **D9/432**

(58) **Field of Classification Search**
USPC D9/414, 416, 418, 420-424, 430-434,
D9/455-456; D3/272, 273, 294-296, 302;
206/267, 269, 270, 273, 299, 737, 740,
206/822; 229/100, 101, 101.3, 106,
229/108-122; D7/601-603

See application file for complete search history.

(56) **References Cited**

U.S. PATENT DOCUMENTS

2,369,385 A	2/1945	Carruth et al.
2,396,310 A	3/1946	Yungblut
2,844,297 A	7/1958	Holmes
2,906,444 A	9/1959	Weiss et al.
2,963,214 A	12/1960	Leone et al.
3,073,501 A	1/1963	Williamson
3,078,030 A	2/1963	Gorton

3,125,280 A	3/1964	Henry
3,191,848 A	6/1965	Meyers
3,283,991 A	11/1966	Hughes
3,294,309 A	12/1966	Coe
3,310,222 A	3/1967	Buttery
3,338,505 A	8/1967	Hughes
3,432,090 A	3/1969	Engel
3,608,812 A	9/1971	Hamilton
3,893,614 A	7/1975	Meyers
4,048,052 A	9/1977	Tolaas
4,083,455 A	4/1978	Keating, Jr.
4,113,104 A	9/1978	Meyers
4,141,449 A	2/1979	Stone
4,284,197 A	8/1981	Meyers
4,688,677 A	8/1987	Roccaforte
4,863,035 A	9/1989	Hiroshima
5,203,495 A	4/1993	Jorgensen-Beck et al.
5,314,114 A	5/1994	Stone
5,515,996 A	5/1996	Stone

(Continued)

Primary Examiner — Susan Bennett Hattan

Assistant Examiner — Vy Koenig

(74) *Attorney, Agent, or Firm* — Foley & Lardner LLP

(57) **CLAIM**

We claim the ornamental design for a folded container, as shown and described.

DESCRIPTION

FIG. 1 is a front perspective view of an embodiment of the claimed design;

FIG. 2 is a front view of the embodiment of FIG. 1;

FIG. 3 is a rear view of the embodiment of FIG. 1;

FIG. 4 is a top view of the embodiment of FIG. 1;

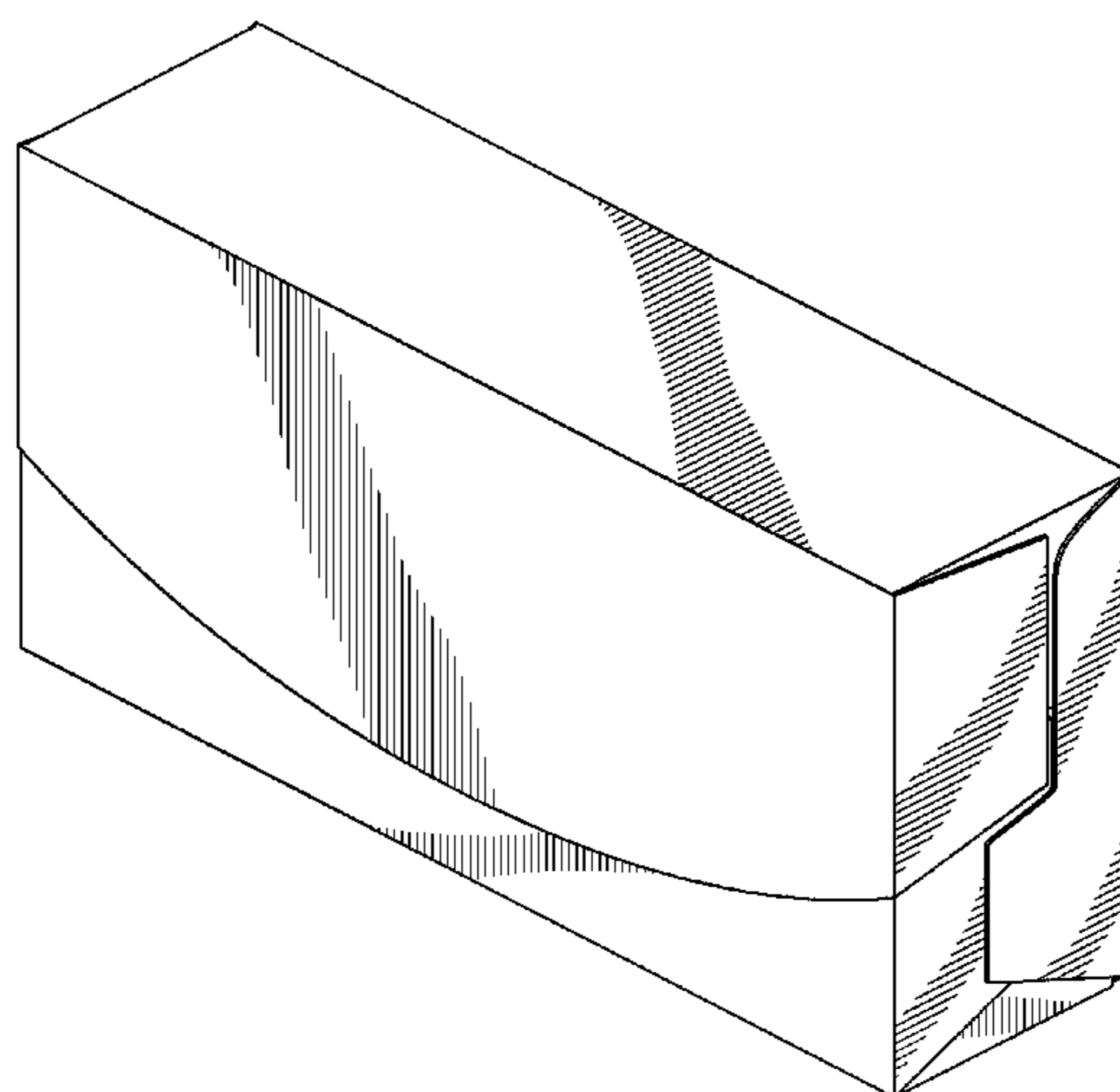
FIG. 5 is a bottom view of the embodiment of FIG. 1;

FIG. 6 is a right side view of the embodiment of FIG. 1; and,

FIG. 7 is a left side view of the embodiment of FIG. 1.

The ornamental design which is claimed is shown in solid lines in the drawings. The broken lines in the drawings are for illustrative purposes only and form no part of the claimed design.

1 Claim, 5 Drawing Sheets



(56)

References Cited

U.S. PATENT DOCUMENTS

5,553,773 A 9/1996 Focke et al.
5,653,384 A 8/1997 Shaikh
D395,600 S 6/1998 Borghorst et al.
5,947,368 A 9/1999 Thresher et al.
6,105,856 A 8/2000 Kakiuchi
6,206,280 B1 3/2001 Thresher et al.
D460,689 S 7/2002 Robinson
6,604,676 B2 8/2003 Giblin
D489,255 S 5/2004 Kratzert et al.

D582,268 S * 12/2008 Zanaletti D9/432
D583,660 S * 12/2008 Steiger et al. D9/432
D587,996 S 3/2009 Steiger et al.
D594,323 S * 6/2009 Friedman et al. D9/423
D628,065 S * 11/2010 Russell D9/434
D655,171 S * 3/2012 Bohache et al. D9/516
D675,911 S * 2/2013 Hunter D9/420
D685,262 S * 7/2013 Hunter D9/420
D690,593 S * 10/2013 Kaps et al. D9/432
2007/0108263 A1 5/2007 Nash
2009/0211938 A1 * 8/2009 Aldridge 206/526

* cited by examiner

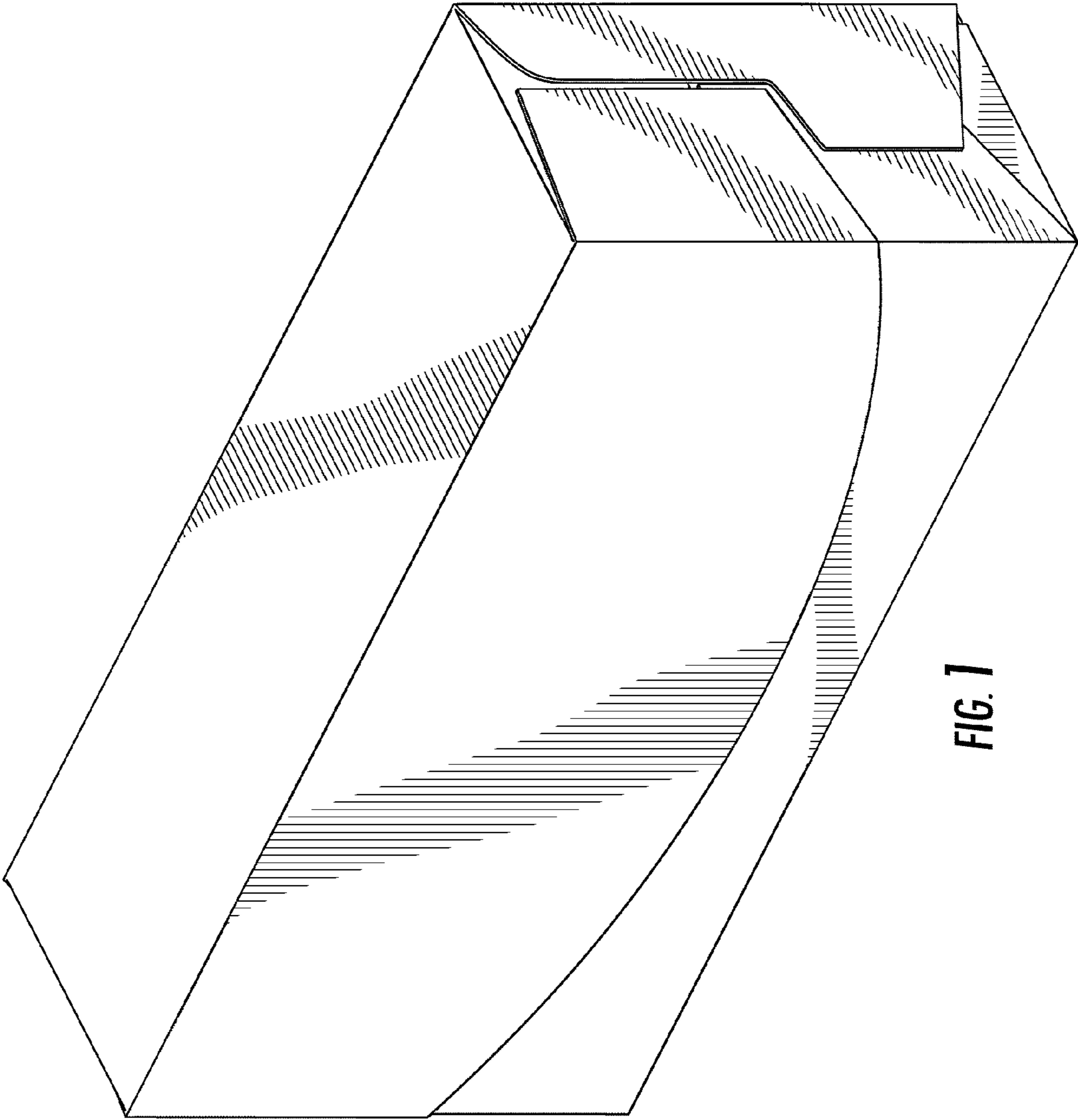


FIG. 1

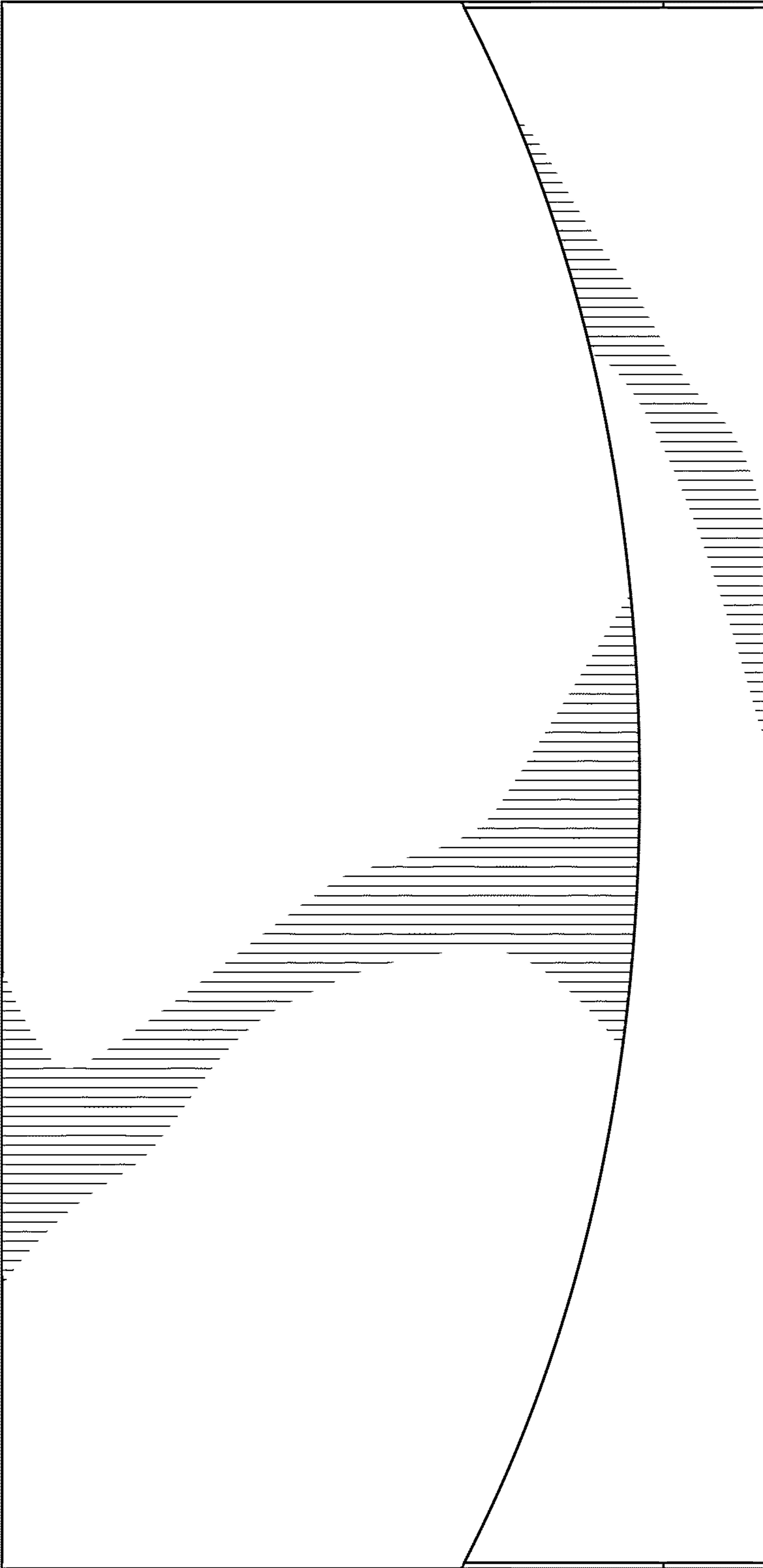


FIG. 2

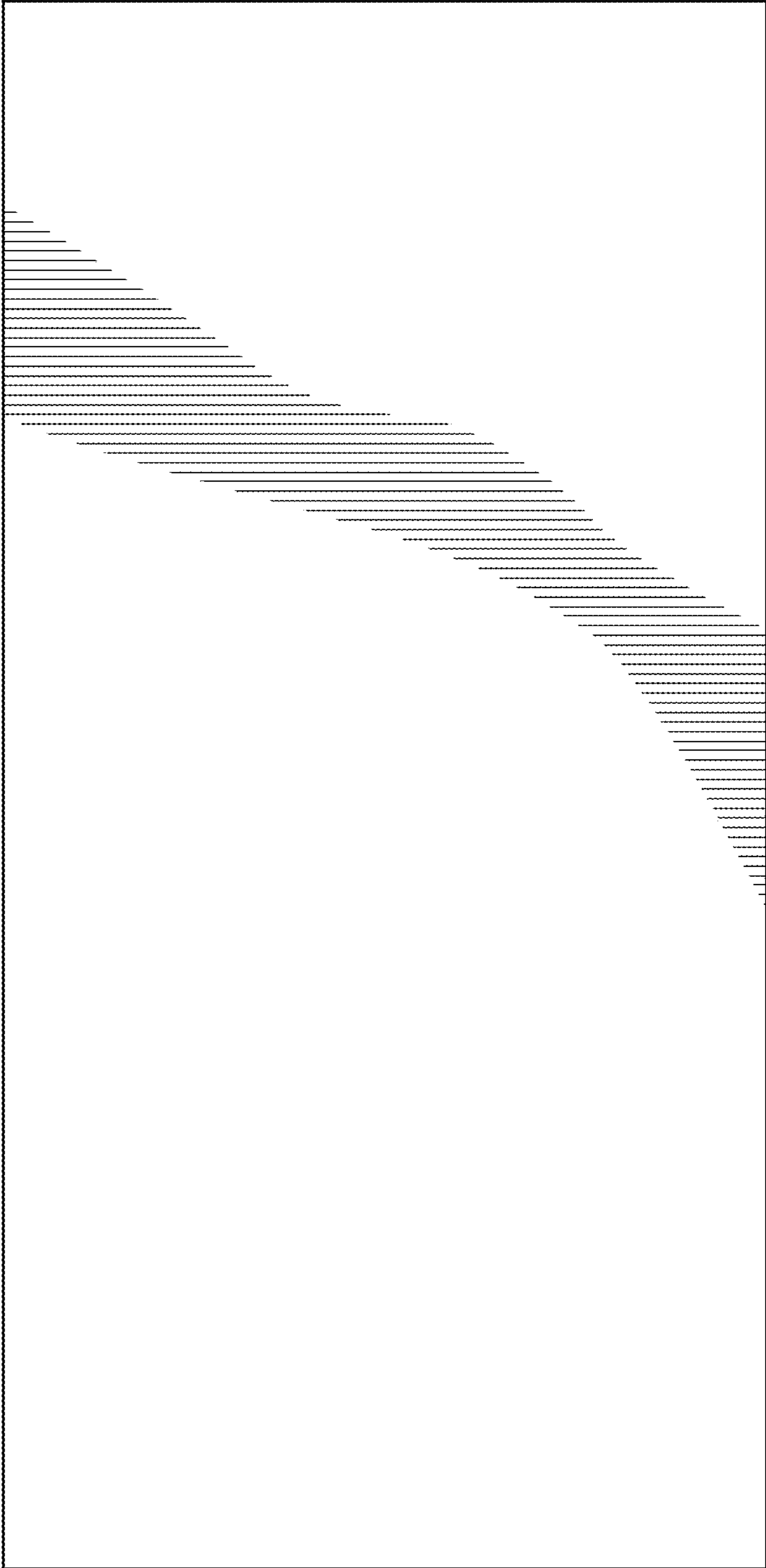


FIG. 3

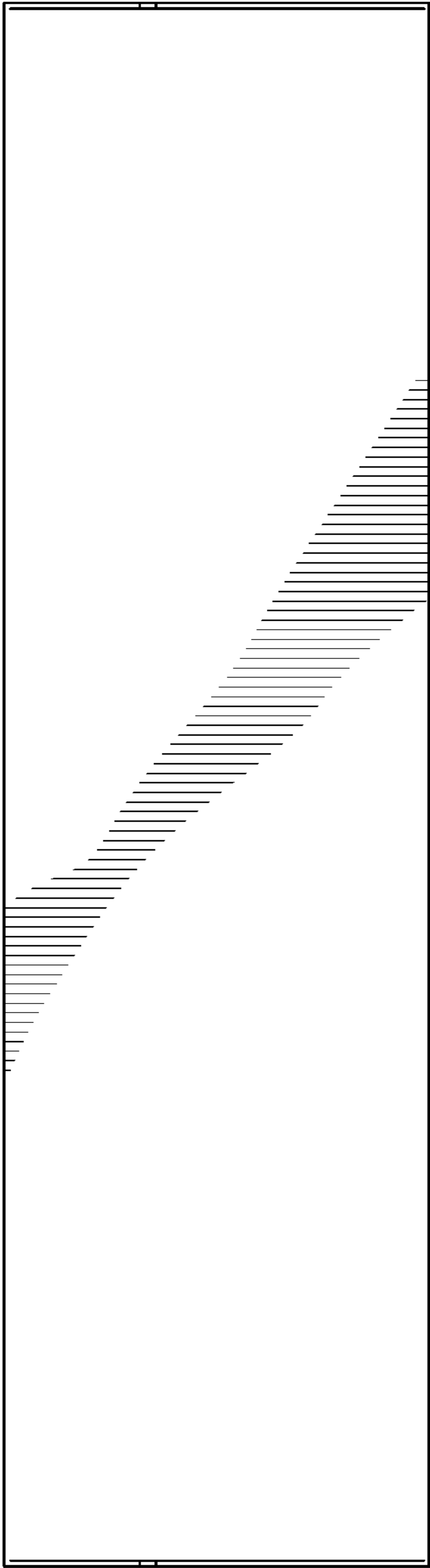


FIG. 4

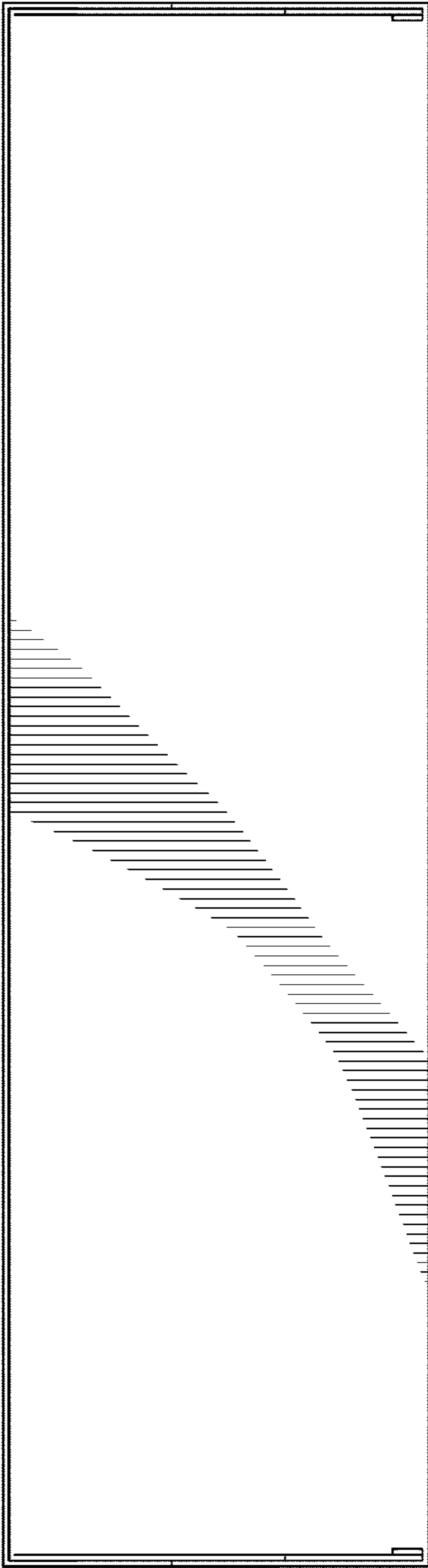


FIG. 5

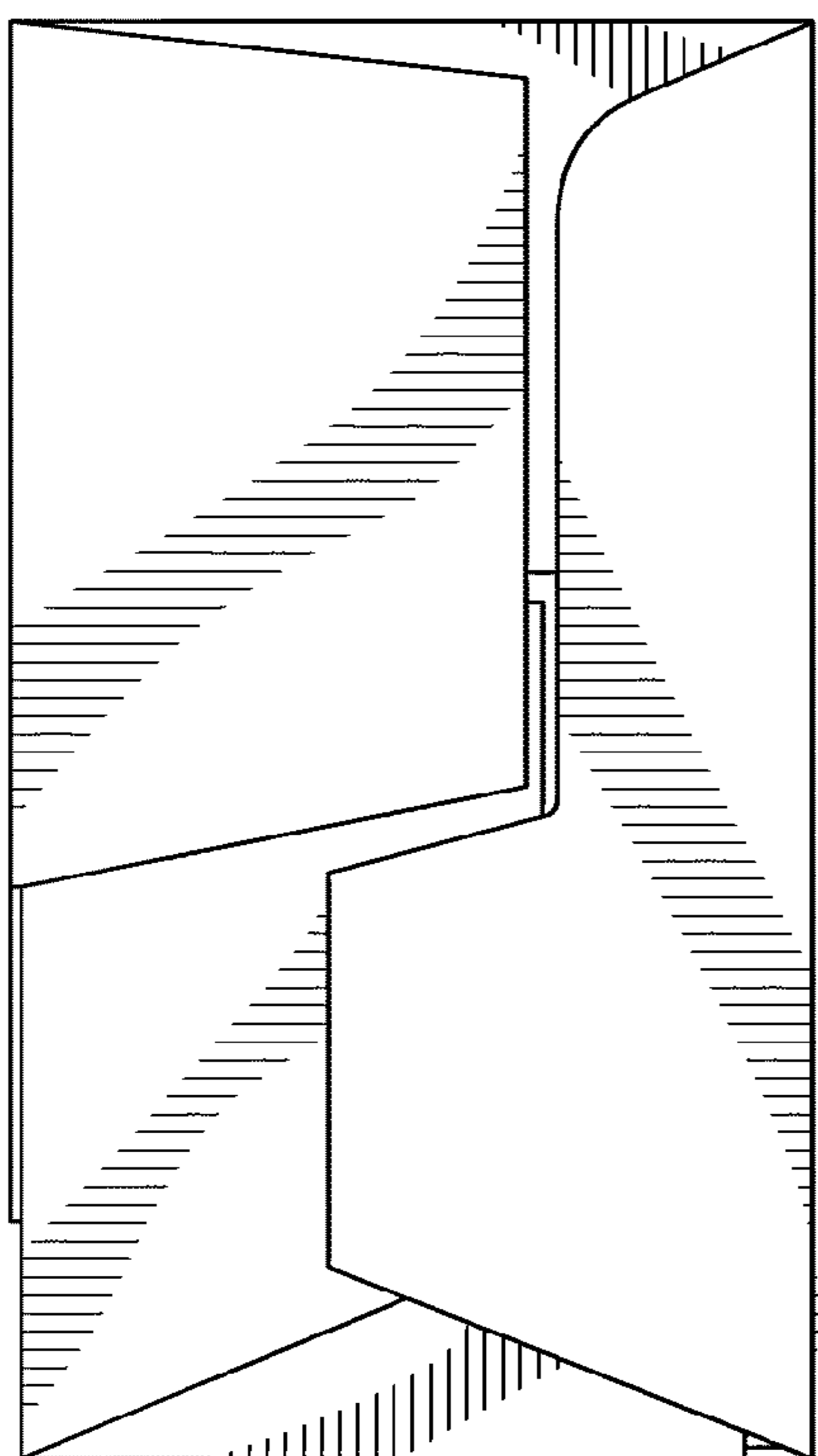


FIG. 6

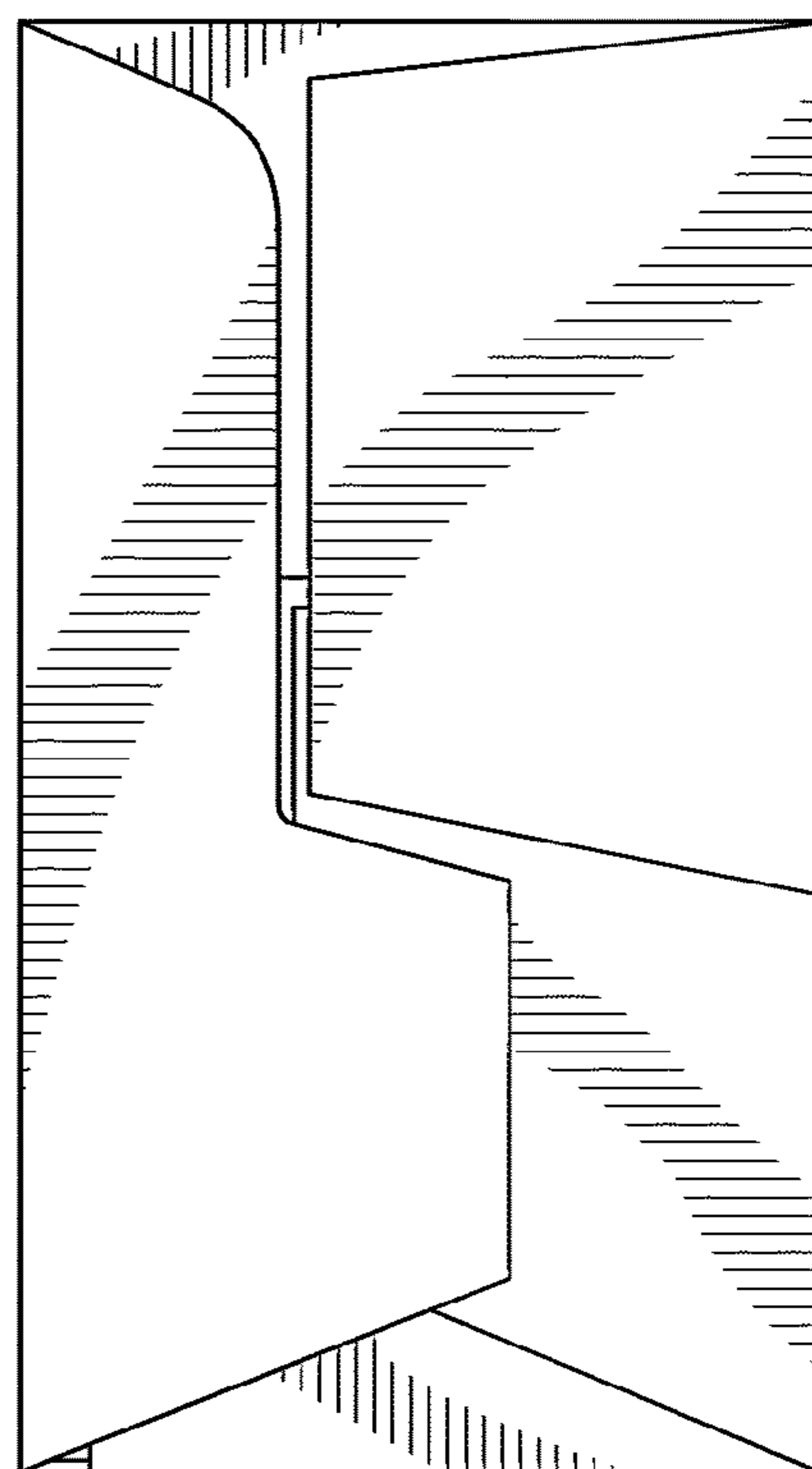


FIG. 7