



US00D705050S

(12) **United States Design Patent**
Limback

(10) **Patent No.:** **US D705,050 S**
(45) **Date of Patent:** **** May 20, 2014**

- (54) **CLAMSHELL PACKAGE**
- (71) Applicant: **Aventisub II Inc.**, Greenville, DE (US)
- (72) Inventor: **Nancy Gail Limback**, Bridgewater, NJ (US)
- (73) Assignee: **Aventisub II Inc.**, Greenville, DE (US)
- (**) Term: **14 Years**
- (21) Appl. No.: **29/467,717**
- (22) Filed: **Sep. 23, 2013**

4,234,084	A	11/1980	Hutten	
D385,024	S *	10/1997	Roberts	D23/366
D404,644	S *	1/1999	Meeker	D9/415
5,913,418	A	6/1999	Singh	
6,053,321	A	4/2000	Kayser	
D431,863	S *	10/2000	Richardson	D24/104

(Continued)

FOREIGN PATENT DOCUMENTS

WO	99/11195	A1	3/1999
WO	2007/141869	A1	12/2007

OTHER PUBLICATIONS

International Search Report and Written Opinion issued in International Application No. PCT/US2013/033964 mailed Oct. 11, 2013.

(Continued)

Primary Examiner — Derrick Holland

Assistant Examiner — Lauren Calve

(74) *Attorney, Agent, or Firm* — Scully, Scott, Murphy & Presser, P.C.

Related U.S. Application Data

- (60) Division of application No. 29/429,017, filed on Aug. 6, 2012, now Pat. No. Des. 693,219, which is a continuation-in-part of application No. 29/416,879, filed on Mar. 28, 2012, now Pat. No. Des. 691,467.
- (51) **LOC (10) Cl.** **09-03**
- (52) **U.S. Cl.**
USPC **D9/424**
- (58) **Field of Classification Search**
USPC D9/414, 415, 416, 423, 424, 425, 432, D9/439, 440, 455, 506, 518, 522, 523, 529, D9/530, 544, 545, 553, 564, 566, 763, 753, D9/757, 760, 761, 764, 769, 772, 773, D9/776; 206/216, 232, 470, 461, 463, 469, 206/543, 557, 771, 806; D30/108; D7/357, D7/359, 614, 615

See application file for complete search history.

(57) **CLAIM**

The ornamental design for a clamshell package, as shown and described.

DESCRIPTION

FIG. 1 is a perspective view of a clamshell package showing my new design;
 FIG. 2 is a front elevation view thereof;
 FIG. 3 is a rear elevation view thereof;
 FIG. 4 is a side elevation view thereof;
 FIG. 5 is an opposite side elevation view thereof;
 FIG. 6 is a top view thereof; and,
 FIG. 7 is a bottom view thereof.

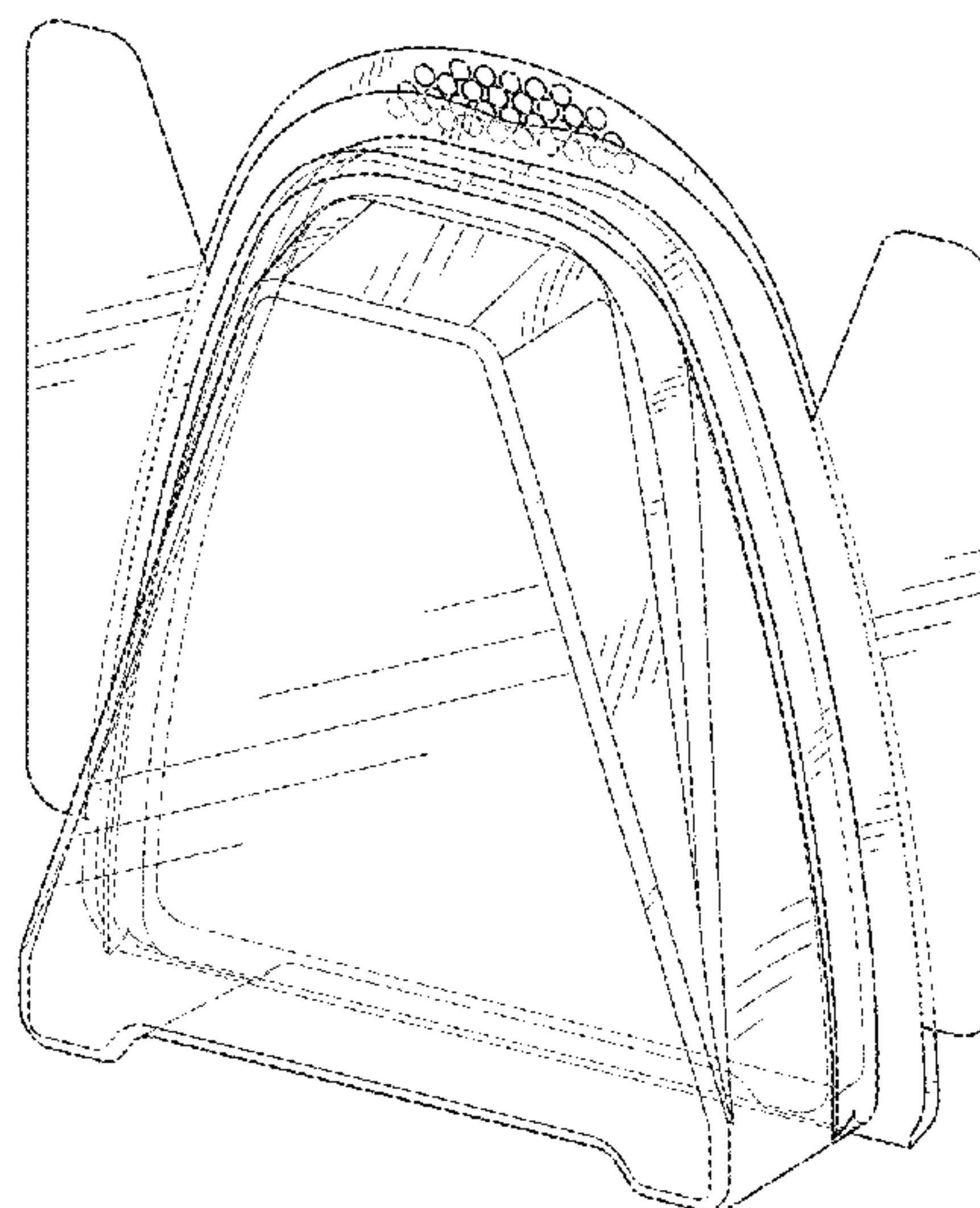
The broken lines shown in FIGS. 1-3 represent unclaimed subject matter and form no part of the claimed design.

(56) **References Cited**

U.S. PATENT DOCUMENTS

D190,530	S *	6/1961	Bender	D9/416
D220,750	S *	5/1971	Artz	D9/761
D220,752	S *	5/1971	Artz	D9/425
3,620,411	A *	11/1971	Rump	220/315
D249,491	S	9/1978	Bernhardt	

1 Claim, 5 Drawing Sheets



(56)

References Cited

U.S. PATENT DOCUMENTS

6,170,663 B1 1/2001 Glassman
D438,607 S * 3/2001 Edwards et al. D23/366
D480,635 S * 10/2003 Caroen D9/414
D520,357 S * 5/2006 Terrasi D9/428
D533,971 S * 12/2006 Carter et al. D30/108
7,207,440 B2 * 4/2007 Briscoe 206/461
D585,735 S * 2/2009 Vovan et al. D9/426
D601,884 S * 10/2009 Andre et al. D9/430
D606,856 S * 12/2009 Ginsberg et al. D9/424
D608,192 S 1/2010 L'Hoste et al.

D624,785 S 10/2010 Rousselin
D641,616 S * 7/2011 Prevost D9/420
D691,467 S 10/2013 Limback
D693,219 S * 11/2013 Limback D9/424
D693,695 S * 11/2013 Limback D9/652
D694,621 S 12/2013 McCarthy et al.
2005/0098467 A1 5/2005 Agakanian

OTHER PUBLICATIONS

Notice of Allowance mailed on Feb. 6, 2014 issued in Design U.S.
Appl. No. 29/465,591.

* cited by examiner

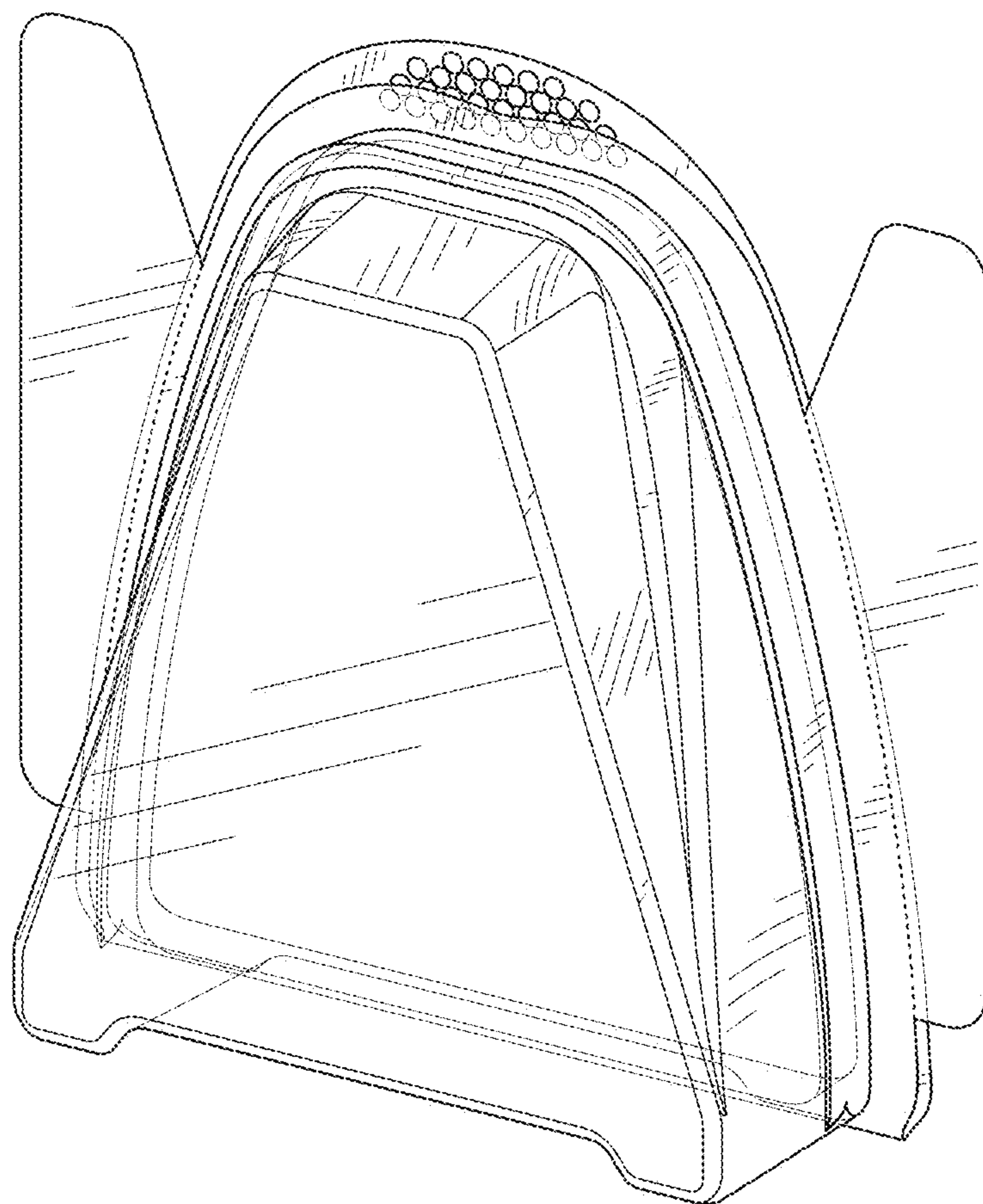


FIG. 1

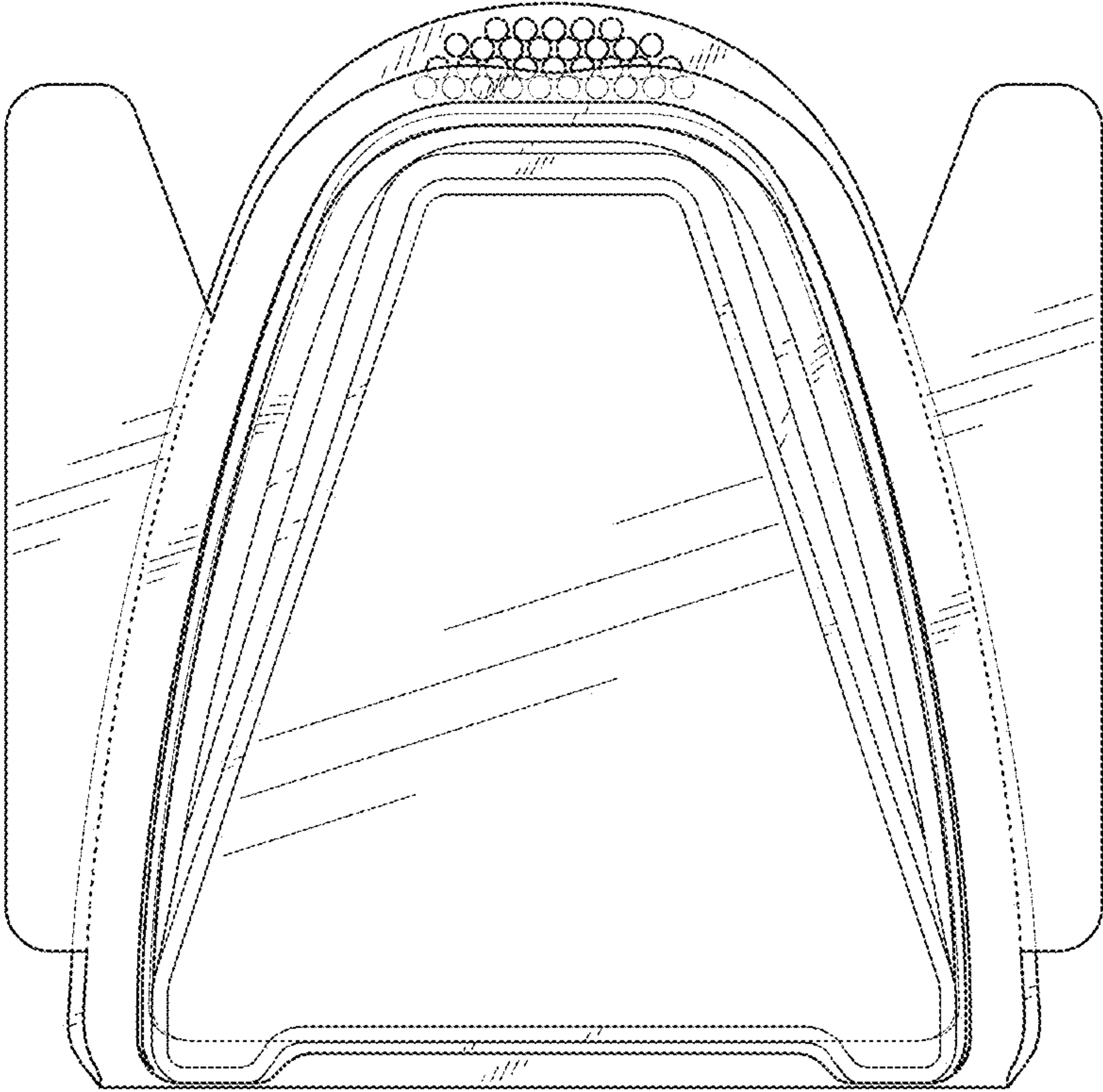


FIG. 2

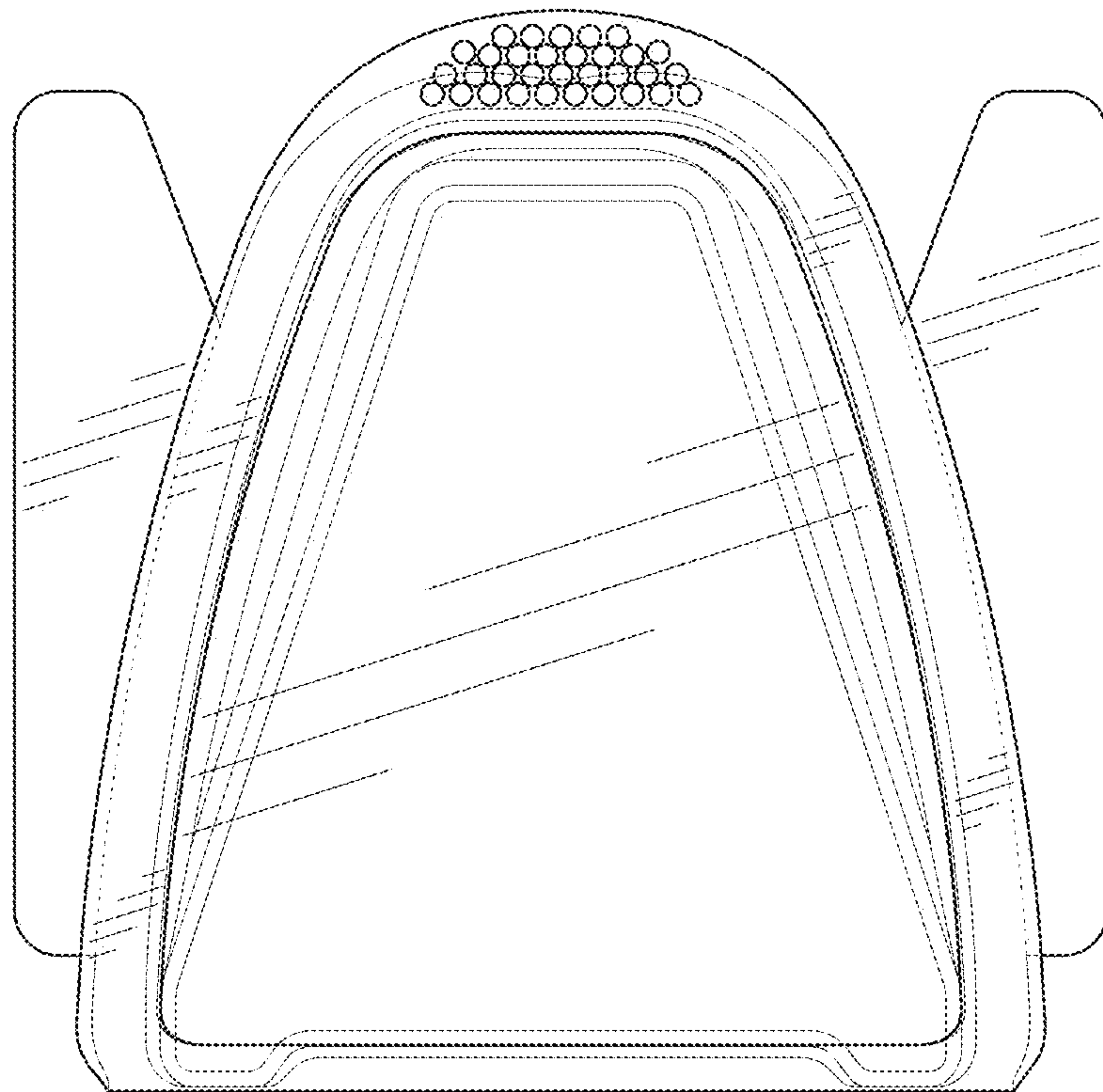


FIG. 3

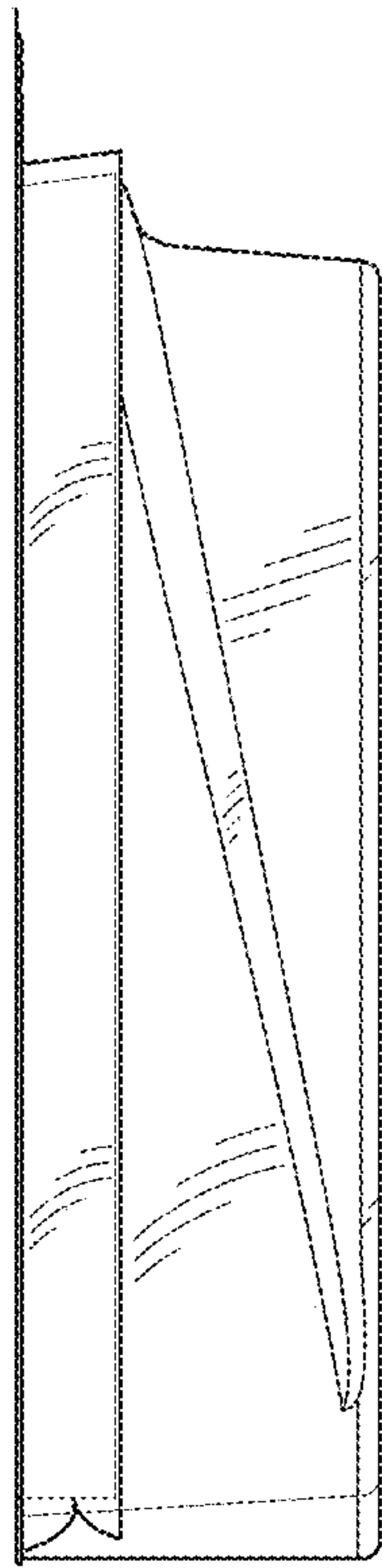


FIG. 4

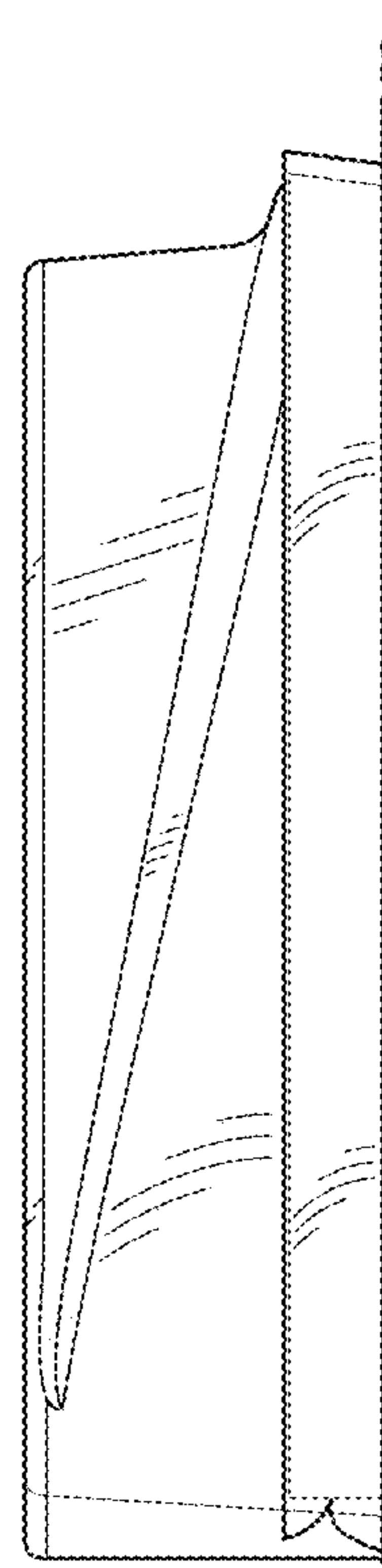


FIG. 5

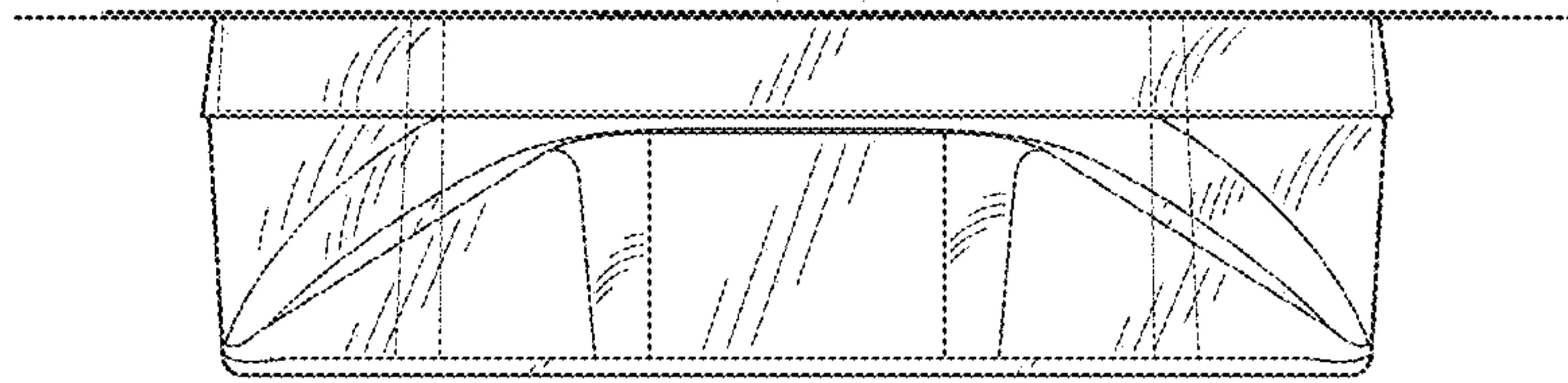


FIG. 6

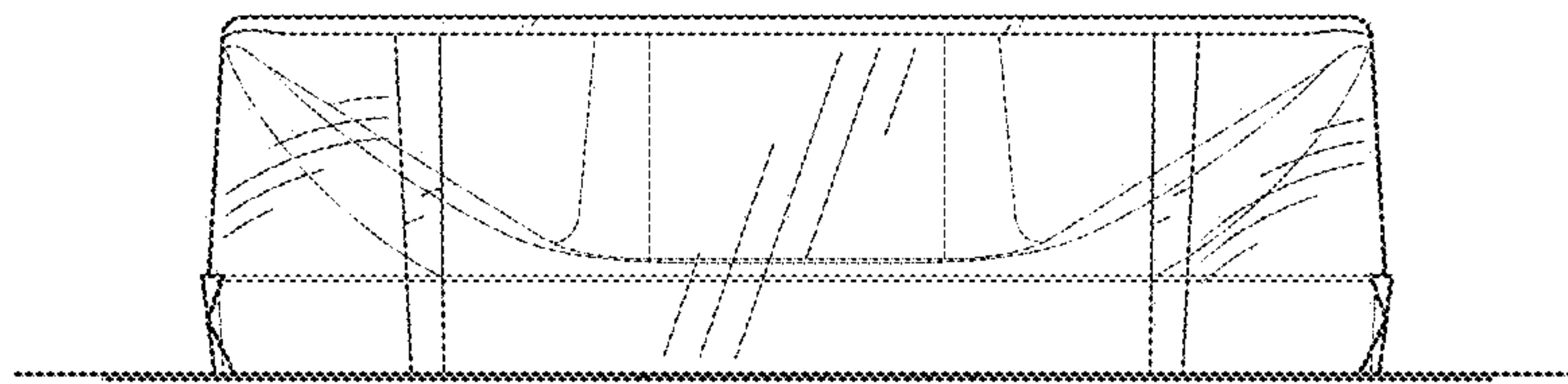


FIG. 7