



US00D705048S

(12) **United States Design Patent**
Downer

(10) **Patent No.:** **US D705,048 S**

(45) **Date of Patent:** **** May 20, 2014**

(54) **SPOUT BAG**

D21/366, 374, 375, 395, 399, 443, 455, 460,
D21/488, 667, 797, 800; D11/142; D7/538

(71) Applicant: **Opal Downer**, Toronto (CA)

See application file for complete search history.

(72) Inventor: **Opal Downer**, Toronto (CA)

(56) **References Cited**

(**) Term: **14 Years**

U.S. PATENT DOCUMENTS

(21) Appl. No.: **29/443,809**

D223,712 S *	5/1972	Mason	D23/373
D310,110 S *	8/1990	Dawson	D21/371
D398,060 S *	9/1998	Brown	D24/164
7,976,355 B2 *	7/2011	McAnulty	446/46
2013/0200172 A1 *	8/2013	Downer	239/6

(22) Filed: **Jan. 23, 2013**

(51) **LOC (10) Cl.** **09-03**

(52) **U.S. Cl.**

* cited by examiner

USPC **D9/417**

(58) **Field of Classification Search**

USPC D9/346, 414-418, 424, 425, 423, 428,
D9/429, 431-436, 445, 452-454, 499, 500,
D9/504, 516, 519, 522, 529, 535, 537, 545,
D9/551, 571, 672, 675, 702, 711, 715, 721,
D9/722, 737, 748, 759, 740, 743, 745, 749,
D9/756, 718, 713, 712, 546, 1; 206/769,
206/773, 775-778, 395, 397-398, 223, 736,
206/756, 495, 349, 760, 541, 784;
229/162.1, 162.3, 162.7, 107, 122,
229/395, 938, 902, 409, 125.05, 116.1, 8,
229/22, 132, 131.1, 160, 125.15, 122.27,
229/122.31, 122.32, 123, 241, 172, 174,
229/185.1, 120.04, 120.13, 120.14, 120.23,
229/87.06, 92.3, 103.3, 104.114, 117,
229/117.08, 117.17, 120; D21/108, 352,

Primary Examiner — Caron D Veynar
Assistant Examiner — Rhea Shields

(57) **CLAIM**

The ornamental design for a spout bag, as shown and described.

DESCRIPTION

FIG. 1 is a perspective view of a spout bag in accordance with the design.

FIG. 2 is a top plan view thereof.

FIG. 3 is a bottom plan view thereof.

FIG. 4 is a right side elevation view of a spout bag; and,

FIG. 5 is a left side elevation of a spout bag.

1 Claim, 5 Drawing Sheets

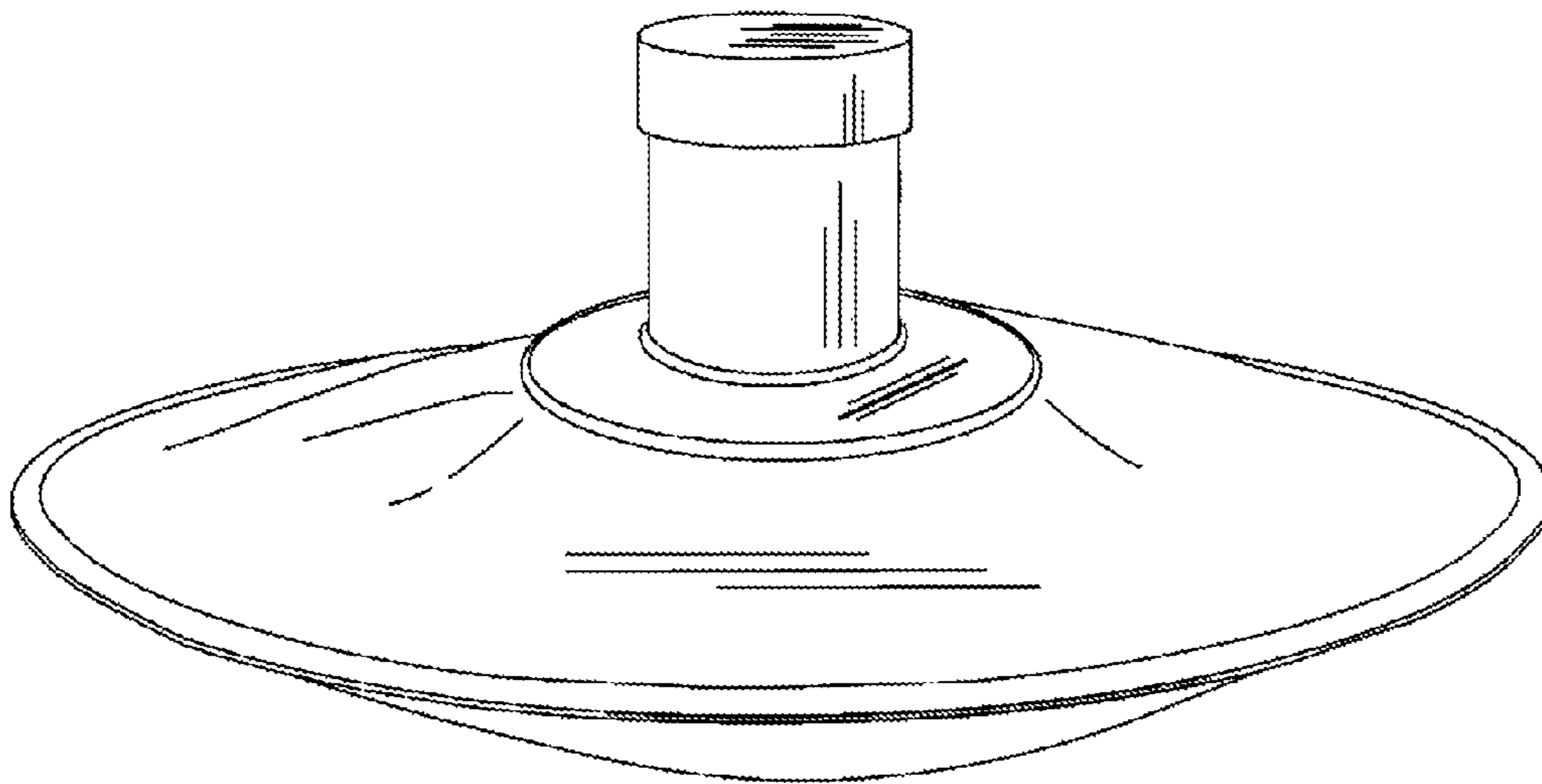


FIG 1

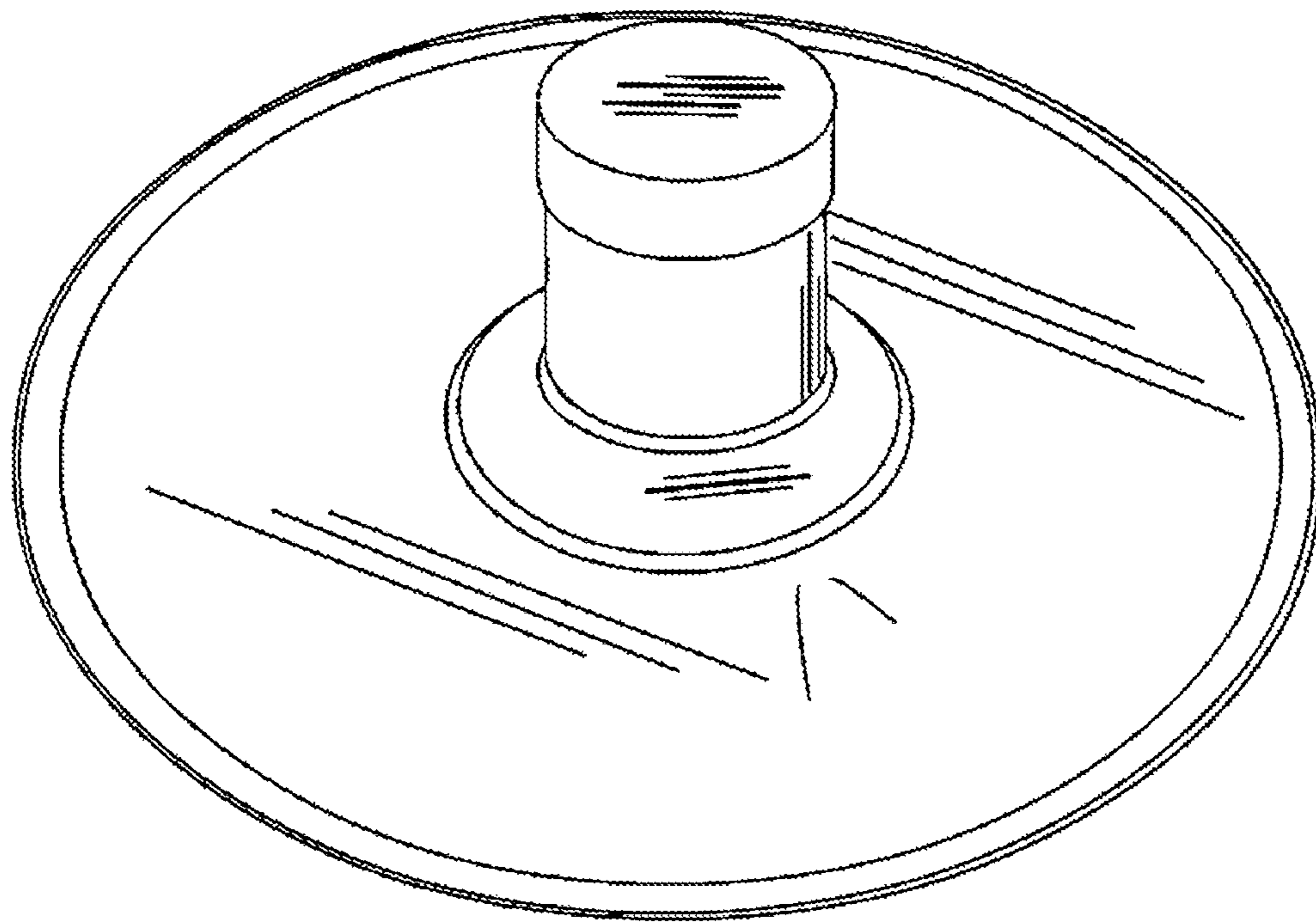


FIG 2

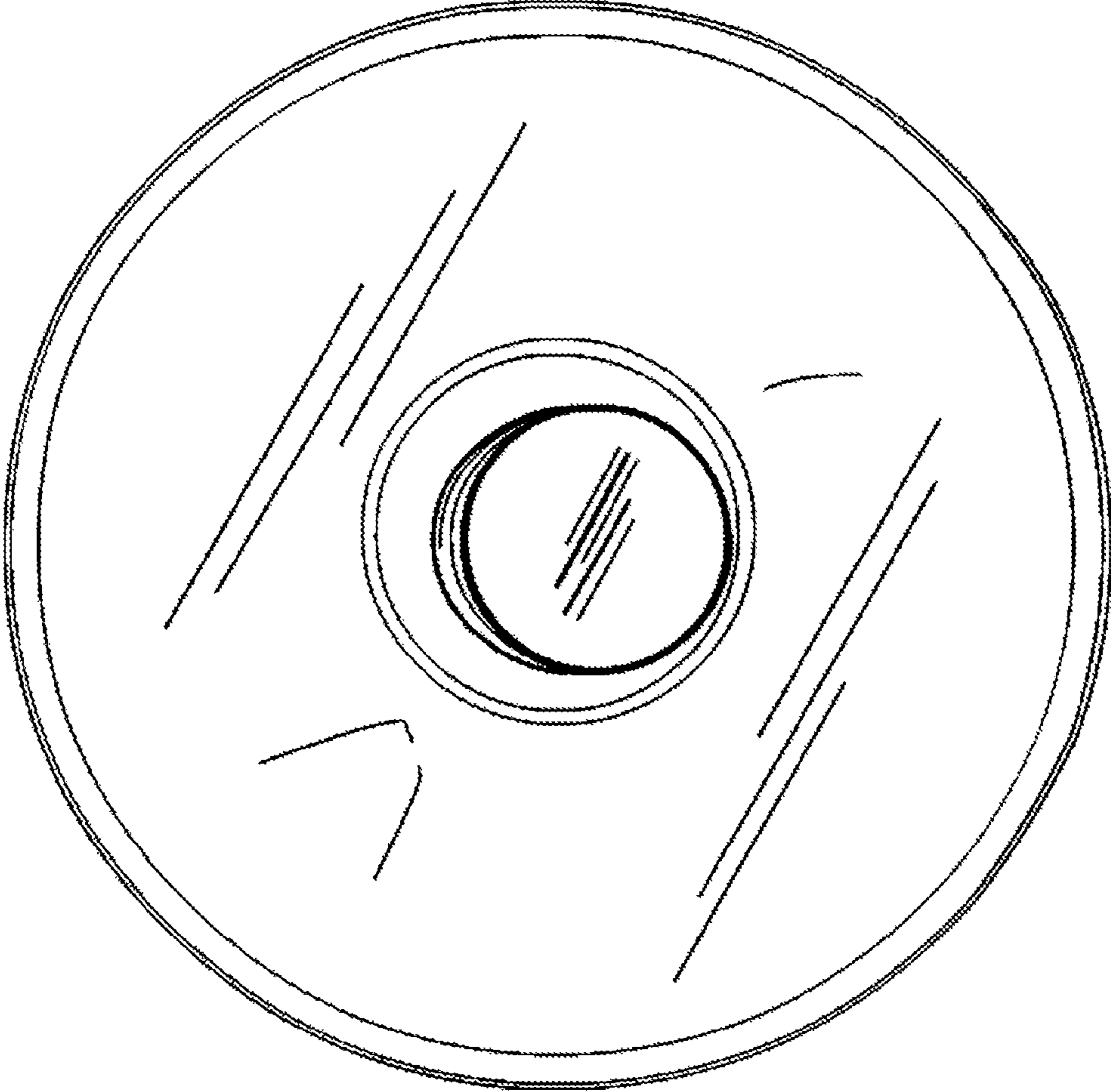


FIG 3

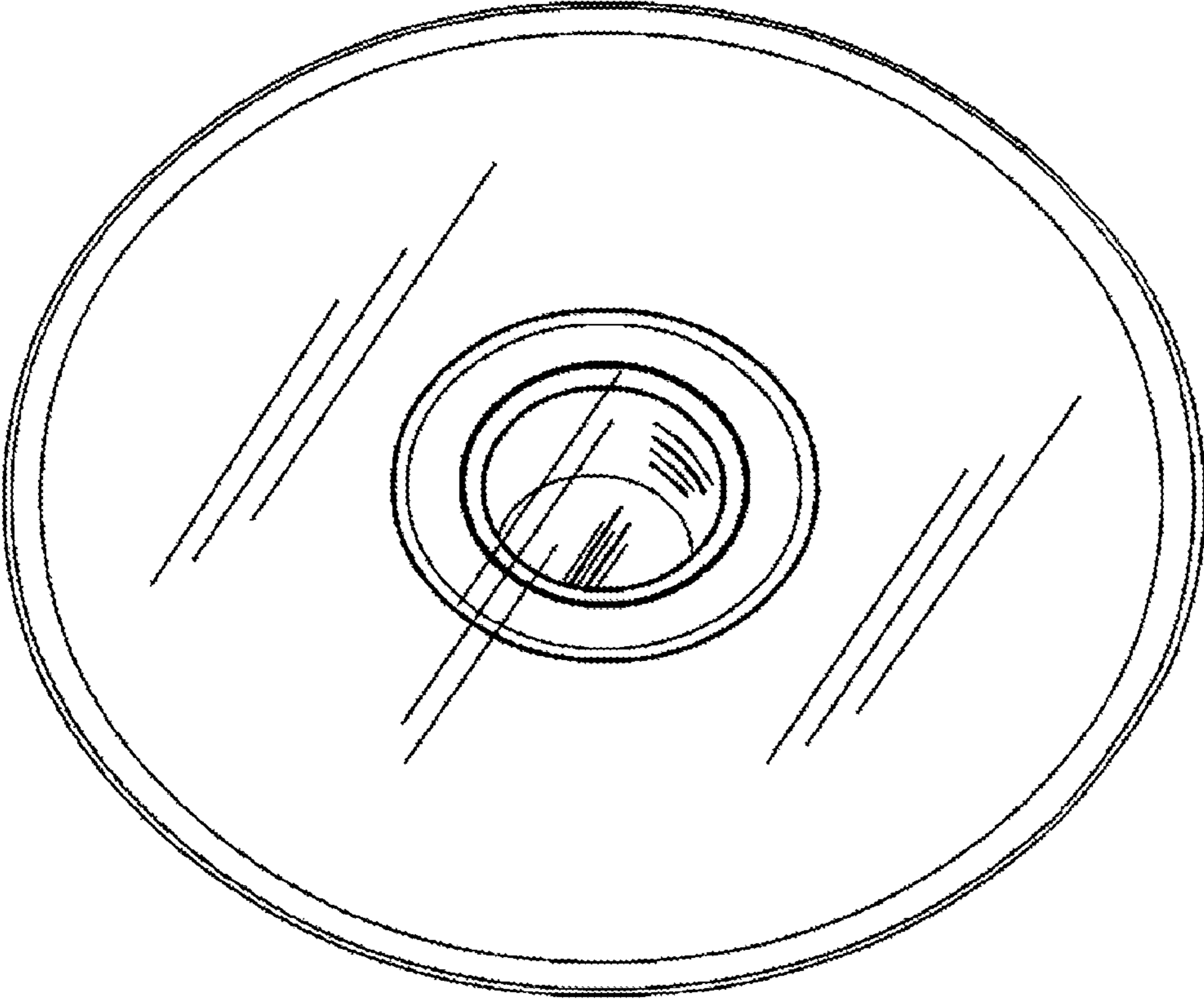


FIG 4

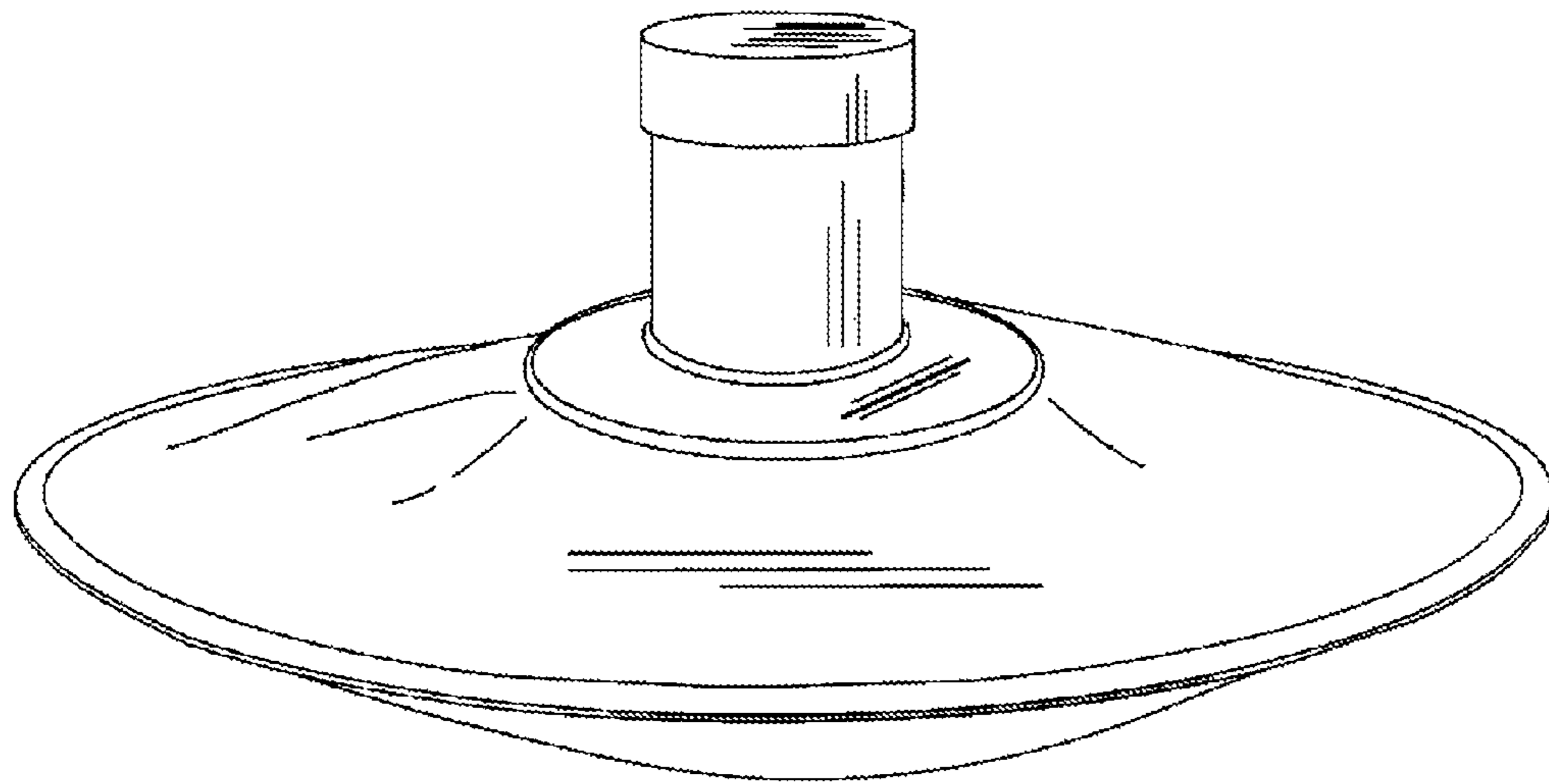


FIG 5

