



US00D705046S

(12) **United States Design Patent**
Ifko

(10) **Patent No.:** **US D705,046 S**
(45) **Date of Patent:** **** May 20, 2014**

- (54) **MUNTIN CLIP**
- (75) Inventor: **Stefan Ifko**, Woodbridge (CA)
- (73) Assignee: **Stefan Ifko**, Woodbridge (CA)
- (**) Term: **14 Years**
- (21) Appl. No.: **29/392,099**
- (22) Filed: **May 17, 2011**

Related U.S. Application Data

- (63) Continuation-in-part of application No. 12/948,497, filed on Nov. 17, 2010.
- (51) **LOC (10) Cl.** **08-08**
- (52) **U.S. Cl.**
USPC **D8/394**
- (58) **Field of Classification Search**
USPC D8/356, 371, 394-396; D19/65;
D24/128; 24/570; 248/74.2, 215,
248/227.1, 49, 300, 301, 316.7, 51, 489
See application file for complete search history.

(56) **References Cited**

U.S. PATENT DOCUMENTS

1,264,683	A *	4/1918	Ricci	411/456
2,909,957	A *	10/1959	Rapata	411/508
3,836,703	A *	9/1974	Coules	174/138 D
3,893,208	A *	7/1975	Yuda	411/508
3,905,570	A *	9/1975	Nieuwveld	248/71
D257,950	S *	1/1981	Van Meter et al.	D8/396
4,427,328	A *	1/1984	Kojima	411/508
4,551,189	A *	11/1985	Peterson	156/73.5

4,629,356	A *	12/1986	Hayashi	403/408.1
4,728,238	A *	3/1988	Chisholm et al.	411/510
4,902,182	A *	2/1990	Lewis	411/510
5,150,865	A *	9/1992	Miller	248/71
5,191,513	A *	3/1993	Sugiura et al.	361/752
5,868,537	A *	2/1999	Latal et al.	411/418
5,887,319	A *	3/1999	Smith	24/293
5,907,891	A *	6/1999	Meyer	24/453
6,371,710	B1 *	4/2002	Ide et al.	411/508
D481,302	S *	10/2003	Whipple et al.	D8/388
D497,101	S *	10/2004	Whipple et al.	D8/388
7,097,405	B2 *	8/2006	O'Banion et al.	411/456
D602,770	S *	10/2009	Fernandez	D8/376
7,891,926	B2 *	2/2011	Jackson, Jr.	411/510
7,896,601	B2 *	3/2011	Kalyanadurga et al.	411/510
7,976,056	B2 *	7/2011	Kirchen et al.	280/728.2
8,029,222	B2 *	10/2011	Nitsche	411/510
8,307,596	B2 *	11/2012	Catalano	52/456

* cited by examiner

Primary Examiner — John Windmuller

(74) *Attorney, Agent, or Firm* — Bereskin & Parr LLP/S.E.N.C.R.L., s.r.l.

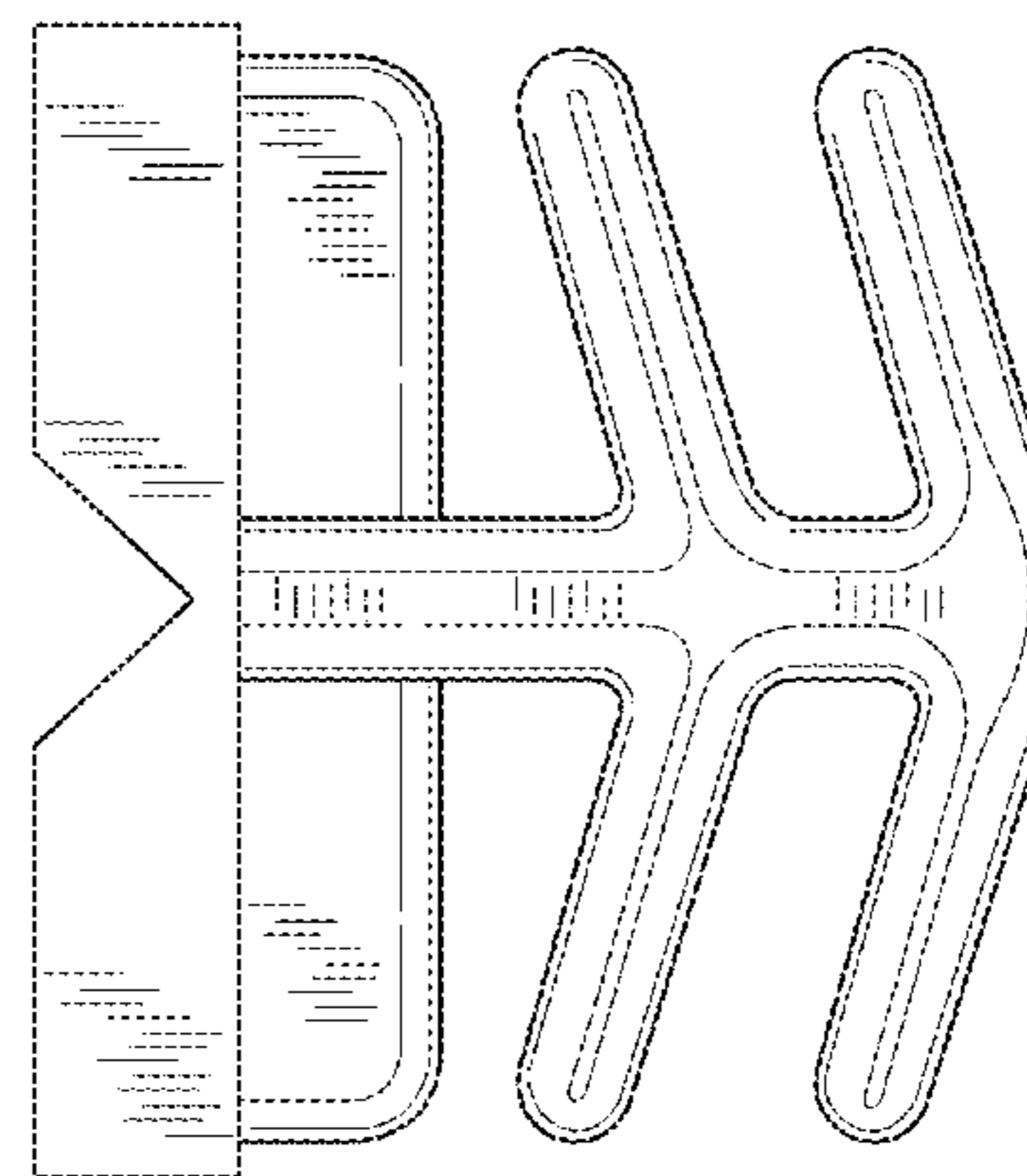
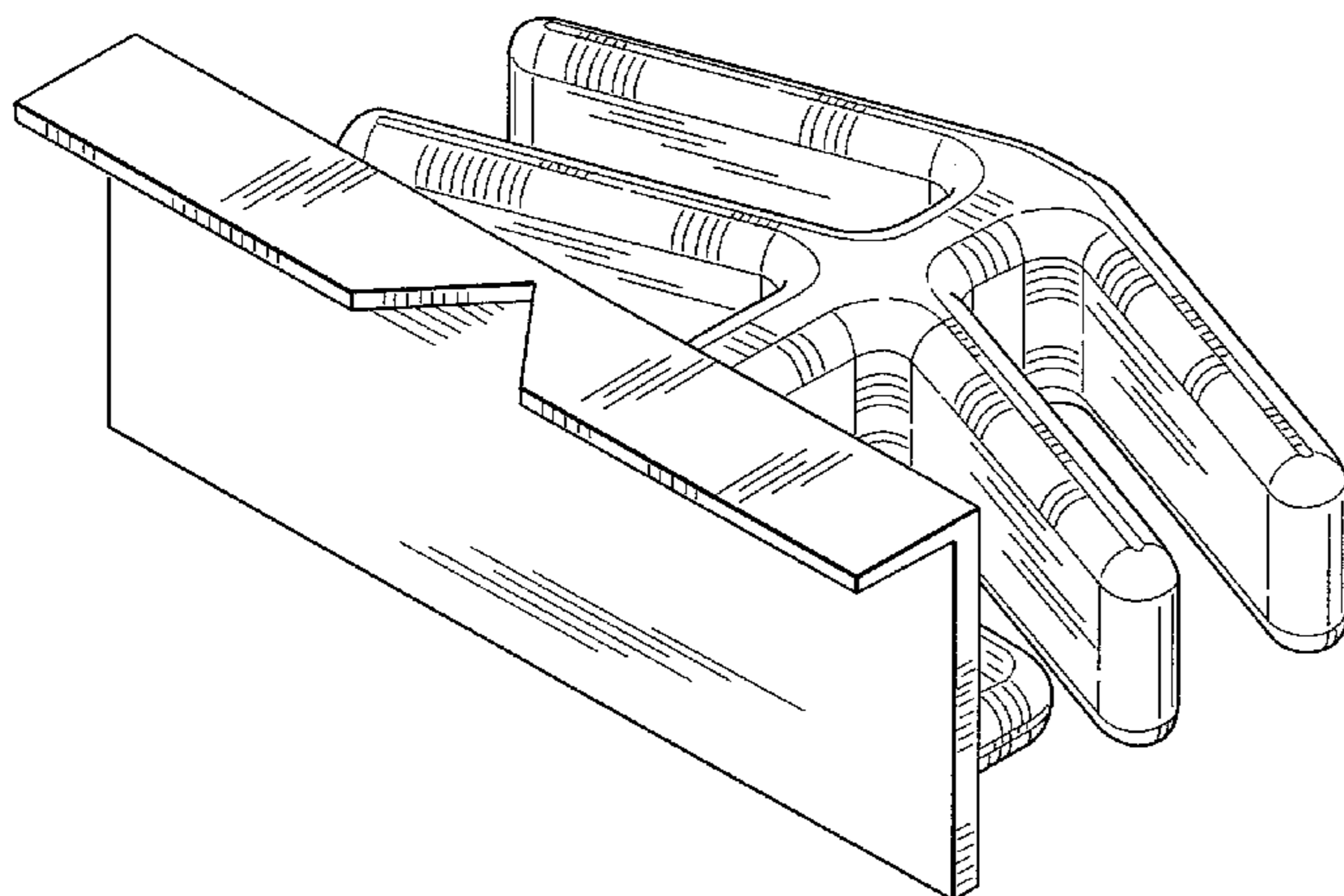
(57) **CLAIM**

The ornamental design for a muntin clip, as shown and described.

DESCRIPTION

FIG. 1 is an upper perspective view of the muntin clip of the present design;
FIG. 2 is a side view of the muntin clip of FIG. 1;
FIG. 3 is a back view of the muntin clip of FIG. 1; and,
FIG. 4 is a top view of the muntin clip of FIG. 1.

1 Claim, 2 Drawing Sheets



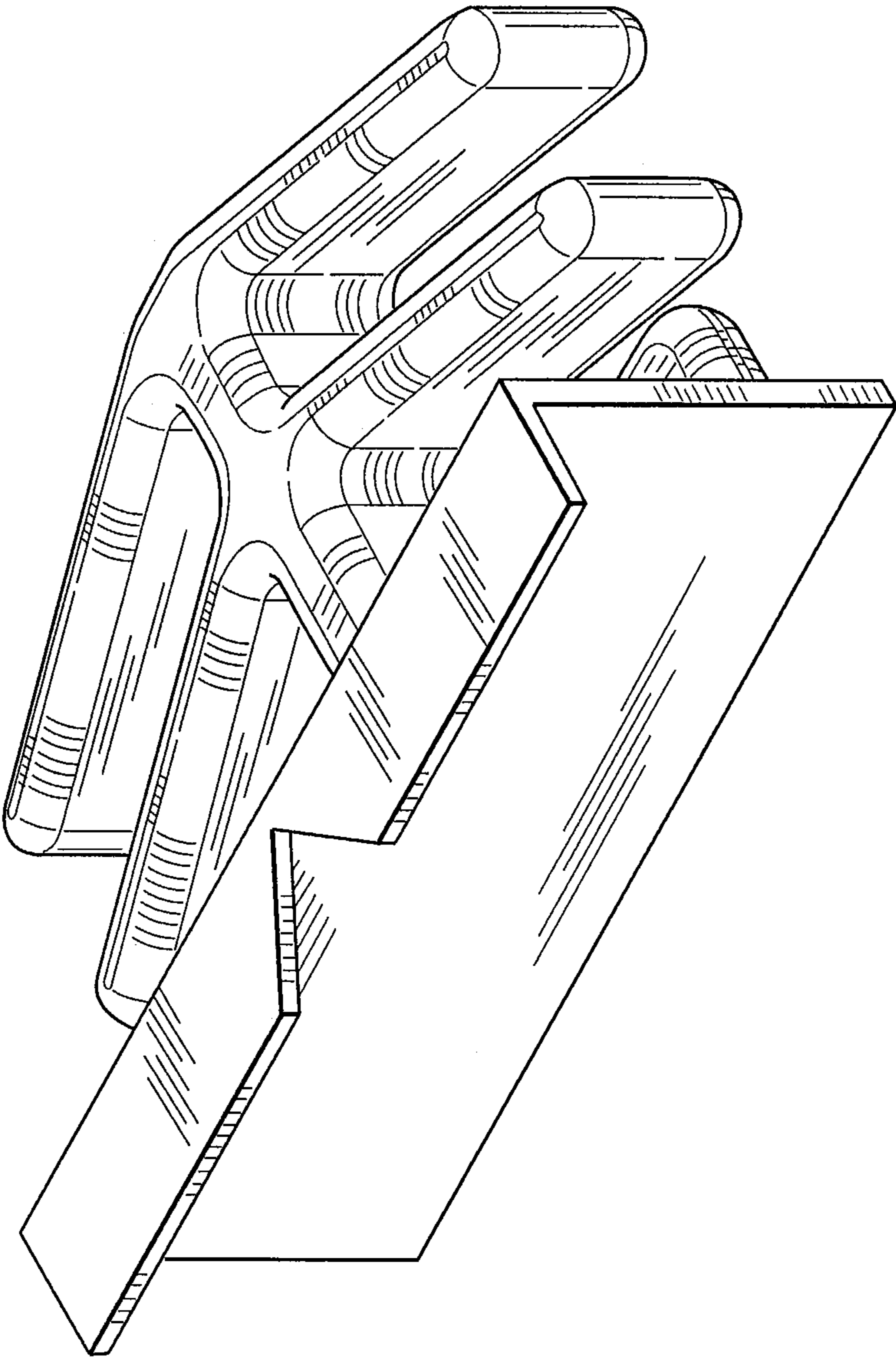


FIG. 1

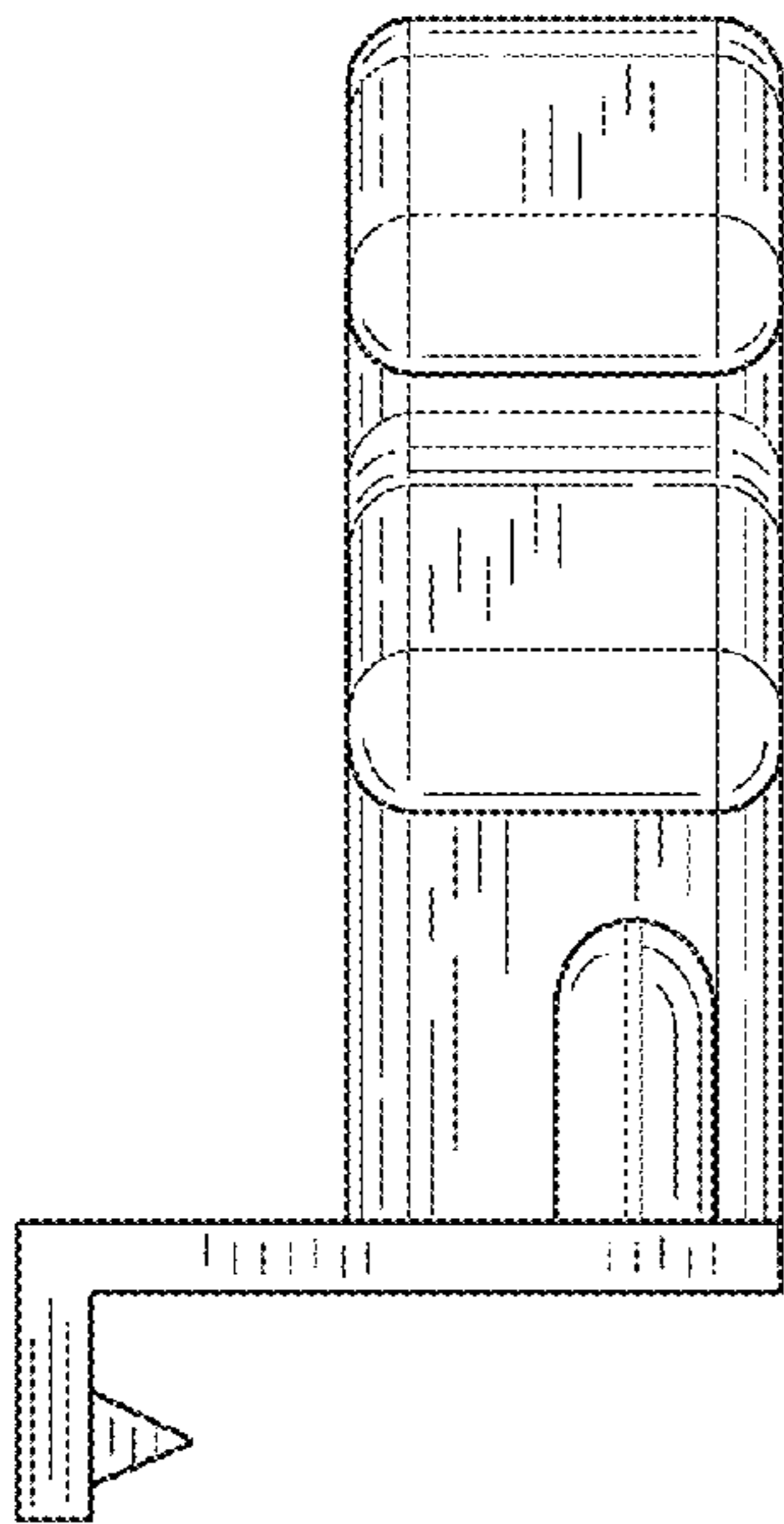


FIG. 2

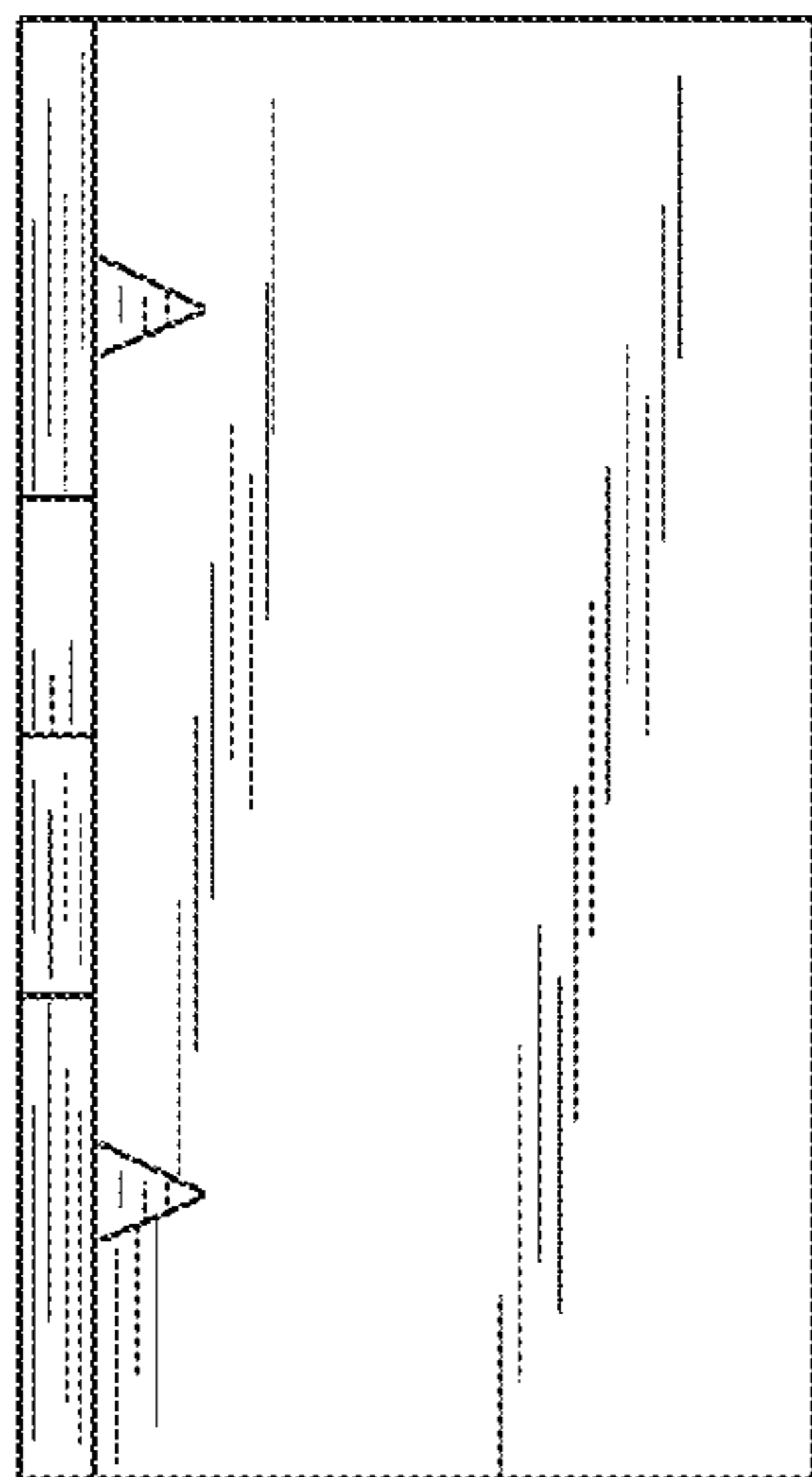


FIG. 3

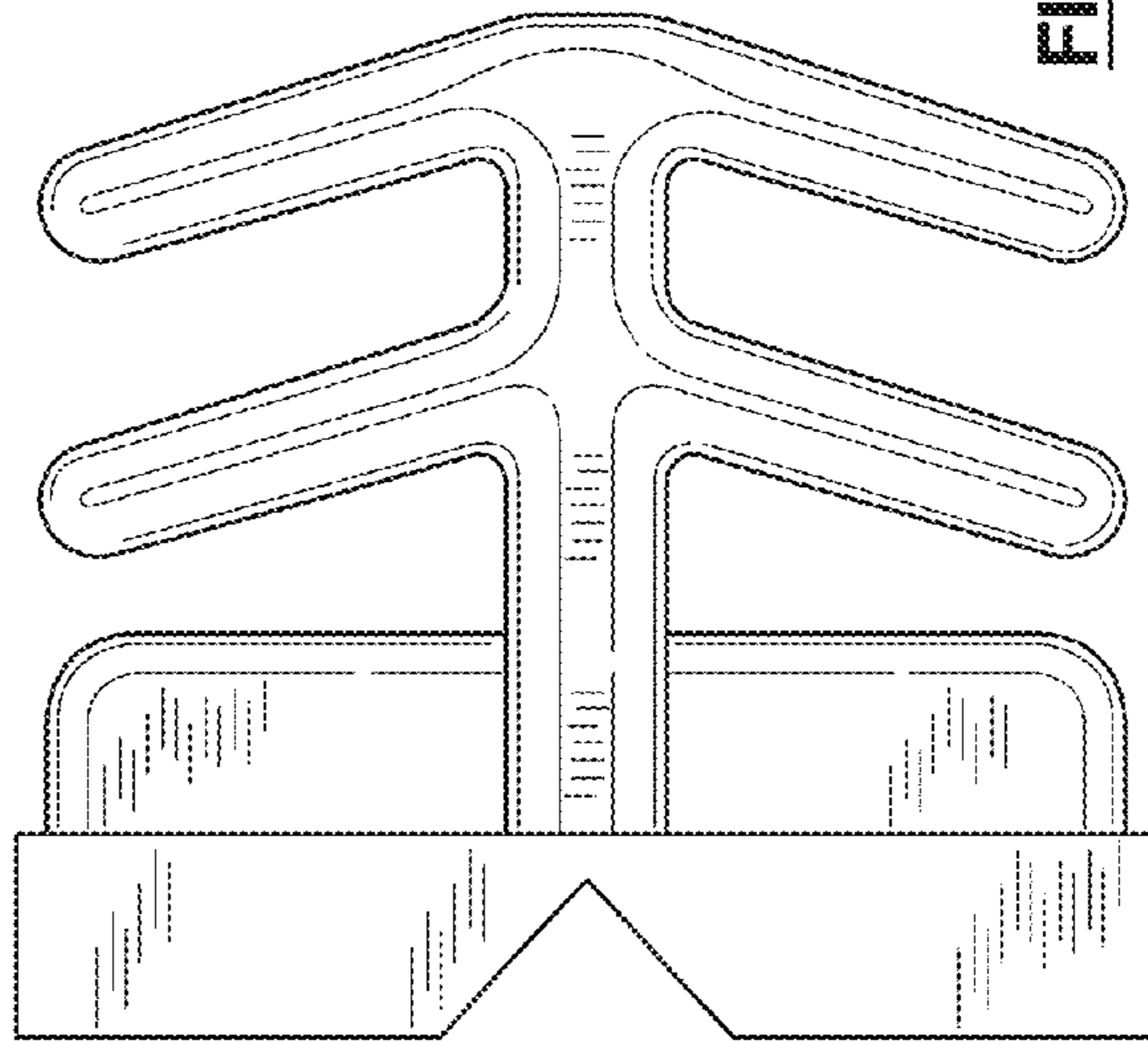


FIG. 4