



US00D705045S

(12) **United States Design Patent**  
**Lænner et al.**

(10) **Patent No.:** **US D705,045 S**

(45) **Date of Patent:** **\*\* May 20, 2014**

(54) **WALL BRACKET**

5,464,181 A \* 11/1995 Leventhal ..... 248/113  
7,621,494 B2 \* 11/2009 Rees et al. .... 248/300

(71) Applicant: **Delex Teknik AB**, Forsheda (SE)

\* cited by examiner

(72) Inventors: **Thomas Lænner**, Skive (DK); **Håkan Ogstedt**, Forsheda (SE)

*Primary Examiner* — Holly Baynham

(74) *Attorney, Agent, or Firm* — Buchanan Ingersoll & Rooney PC

(73) Assignee: **Delex Teknik AB**, Forsheda (SE)

(57) **CLAIM**

(\*\*) Term: **14 Years**

The ornamental design for a wall bracket, as shown and described.

(21) Appl. No.: **29/434,953**

**DESCRIPTION**

(22) Filed: **Oct. 18, 2012**

(30) **Foreign Application Priority Data**

Jun. 14, 2012 (EM) ..... 002057679

(51) **LOC (10) Cl.** ..... **08-05**

(52) **U.S. Cl.**  
USPC ..... **D8/380**

(58) **Field of Classification Search**

None  
See application file for complete search history.

FIG. 1 is a bottom perspective view of a wall bracket showing a first embodiment of our design.

FIG. 2 is a bottom view of the wall bracket of FIG. 1.

FIG. 3 is a top view of the wall bracket of FIG. 1.

FIG. 4 is a front view of the wall bracket of FIG. 1.

FIG. 5 is a back view of the wall bracket of FIG. 1.

FIG. 6 is a right side view of the wall bracket of FIG. 1.

FIG. 7 is a left side view of the wall bracket of FIG. 1.

FIG. 8 is a bottom perspective view of a wall bracket showing a second embodiment of our design.

FIG. 9 is a bottom view of the wall bracket of FIG. 8.

FIG. 10 is a top view of the wall bracket of FIG. 8.

FIG. 11 is a front view of the wall bracket of FIG. 8.

FIG. 12 is a back view of the wall bracket of FIG. 8.

FIG. 13 is a right side view of the wall bracket of FIG. 8; and,

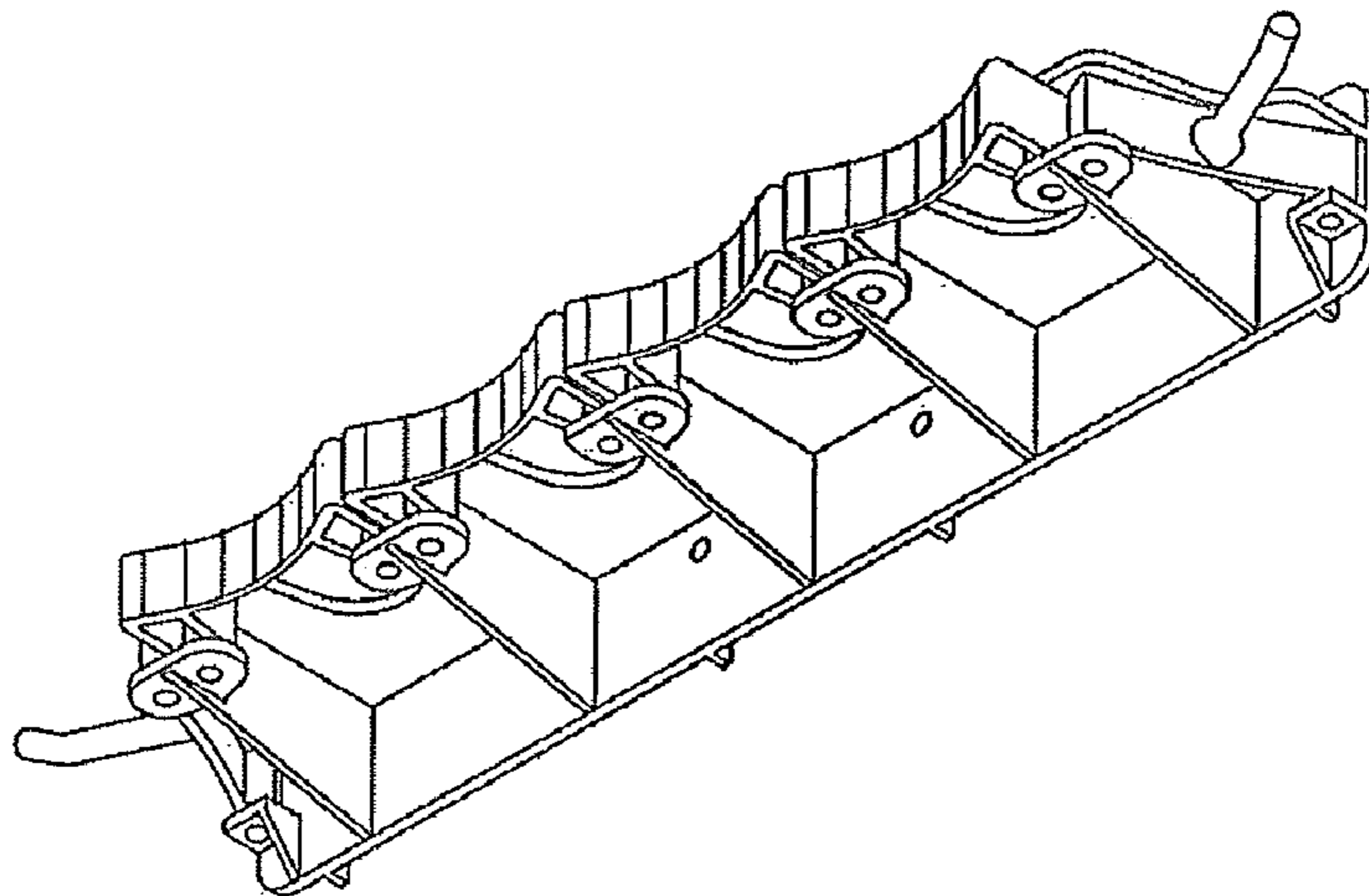
FIG. 14 is a left side view of the wall bracket of FIG. 8.

(56) **References Cited**

**U.S. PATENT DOCUMENTS**

1,798,028 A \* 3/1931 Nachtigal ..... 248/113  
D308,629 S \* 6/1990 Bush ..... D8/373  
D326,220 S \* 5/1992 Hampshire ..... D8/373

**1 Claim, 7 Drawing Sheets**



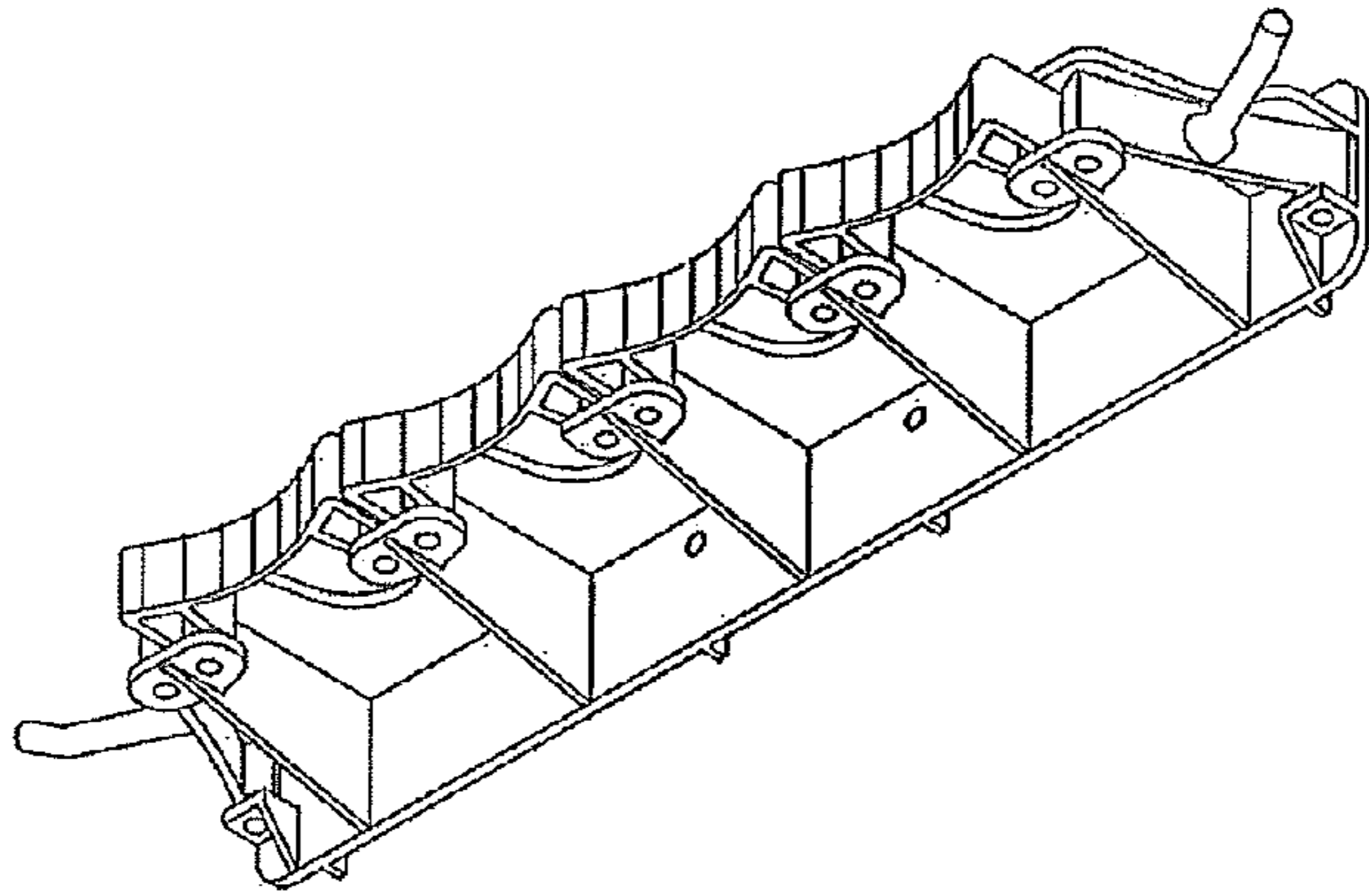


FIG. 1

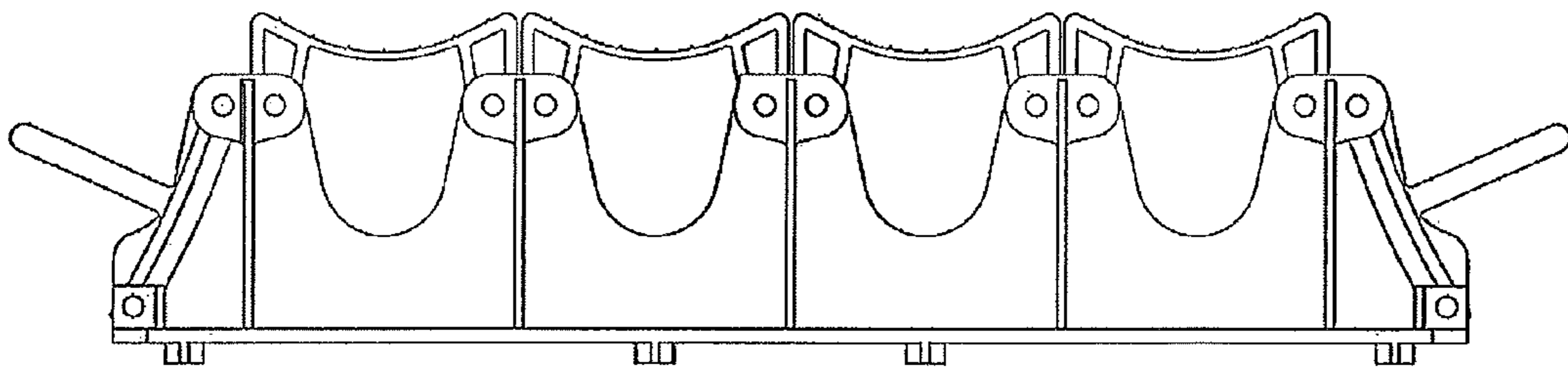


FIG. 2

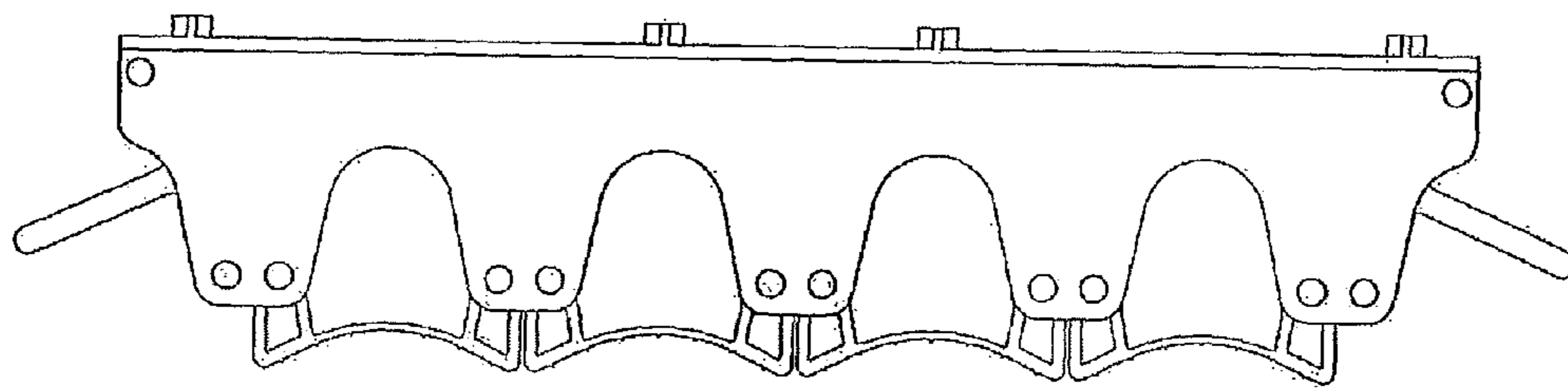


FIG. 3

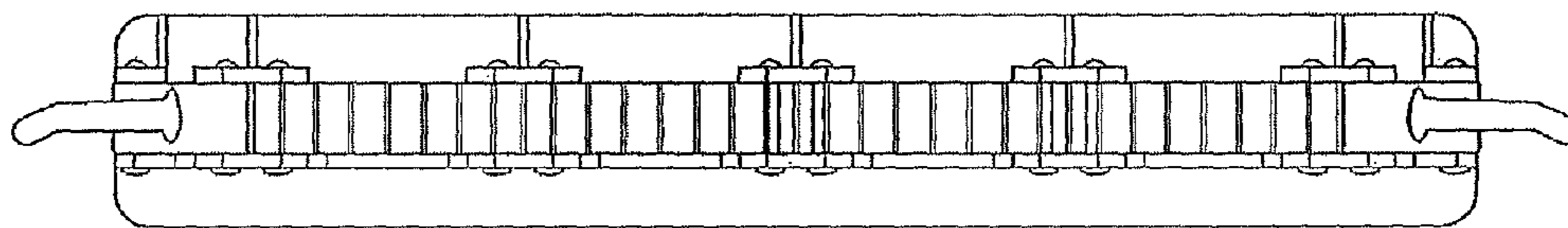


FIG. 4

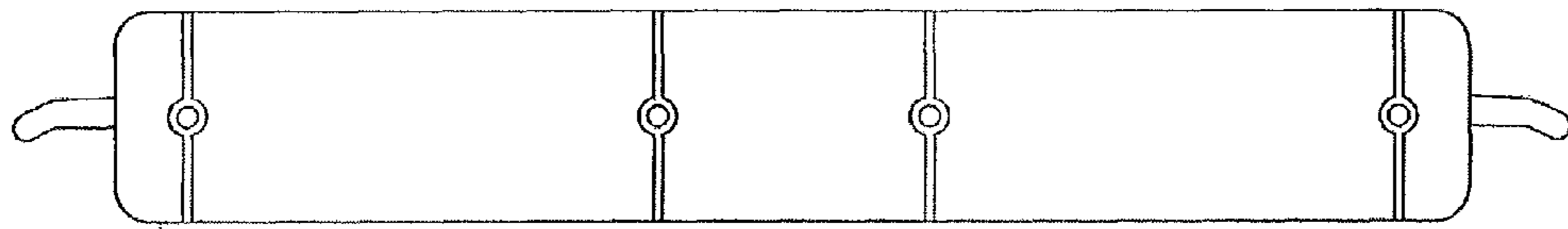


FIG. 5

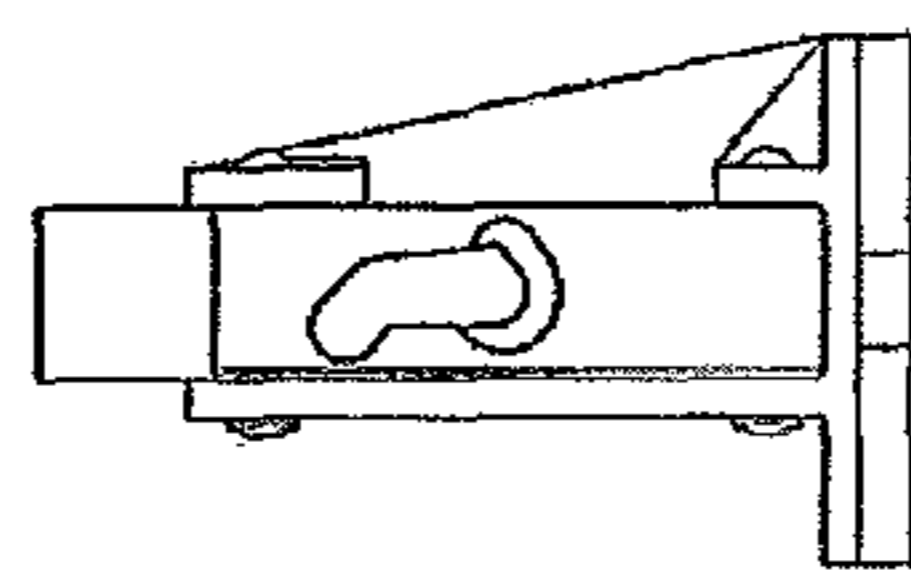


FIG. 6

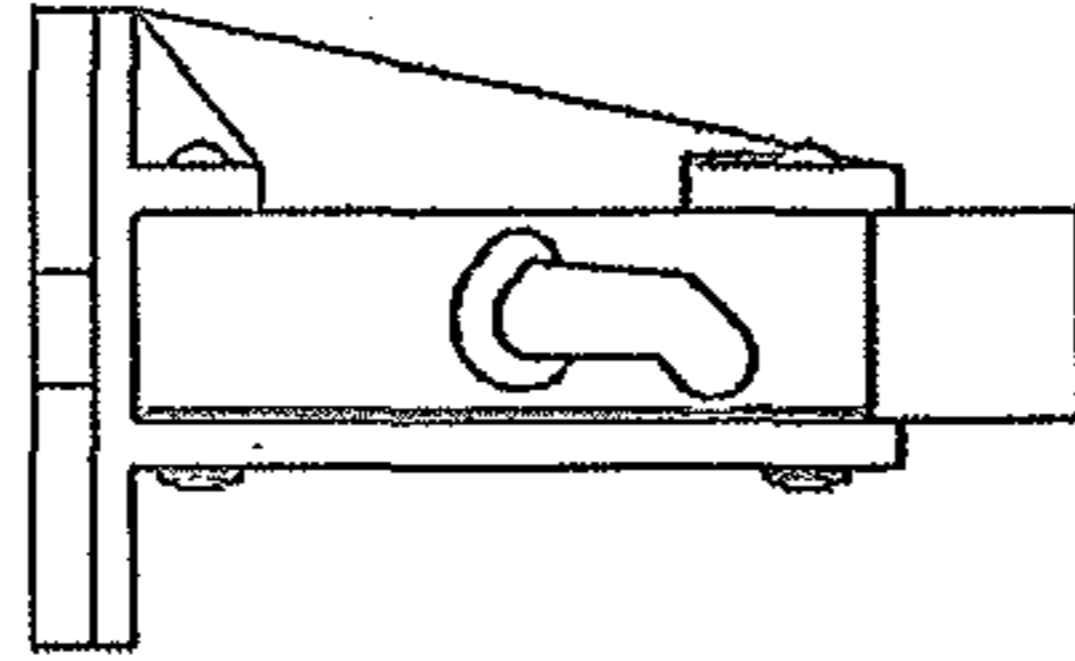


FIG. 7

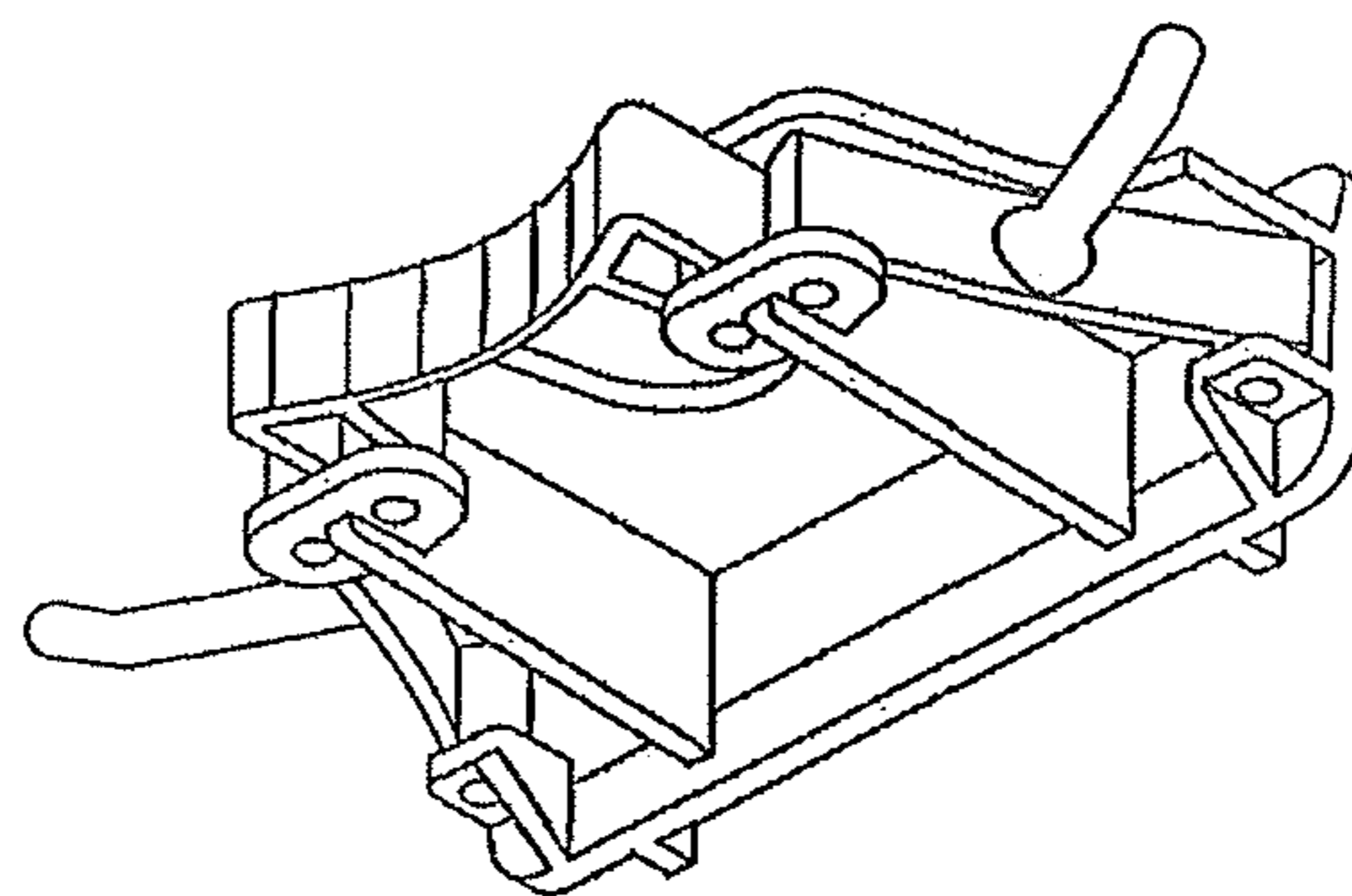


FIG. 8

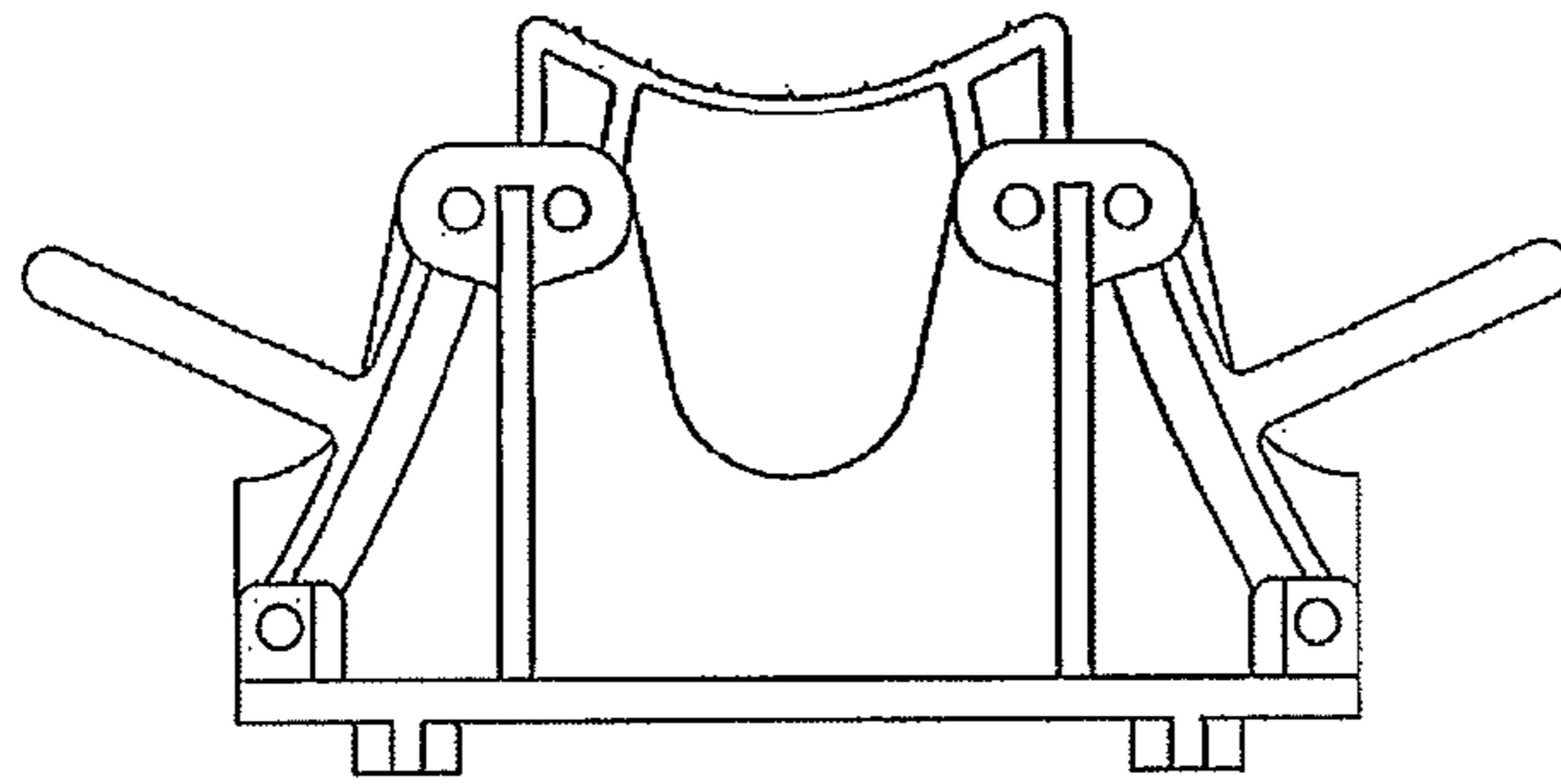


FIG. 9

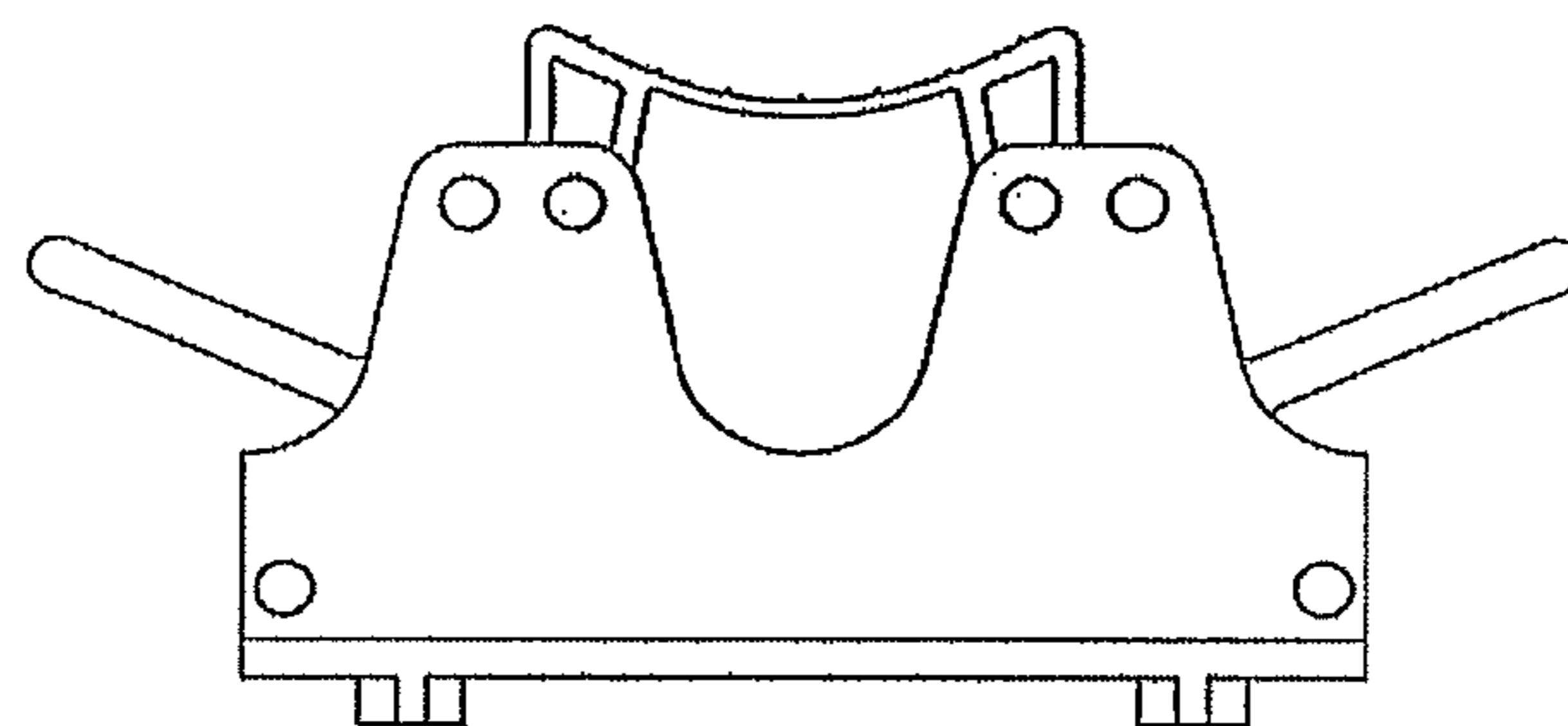


FIG. 10

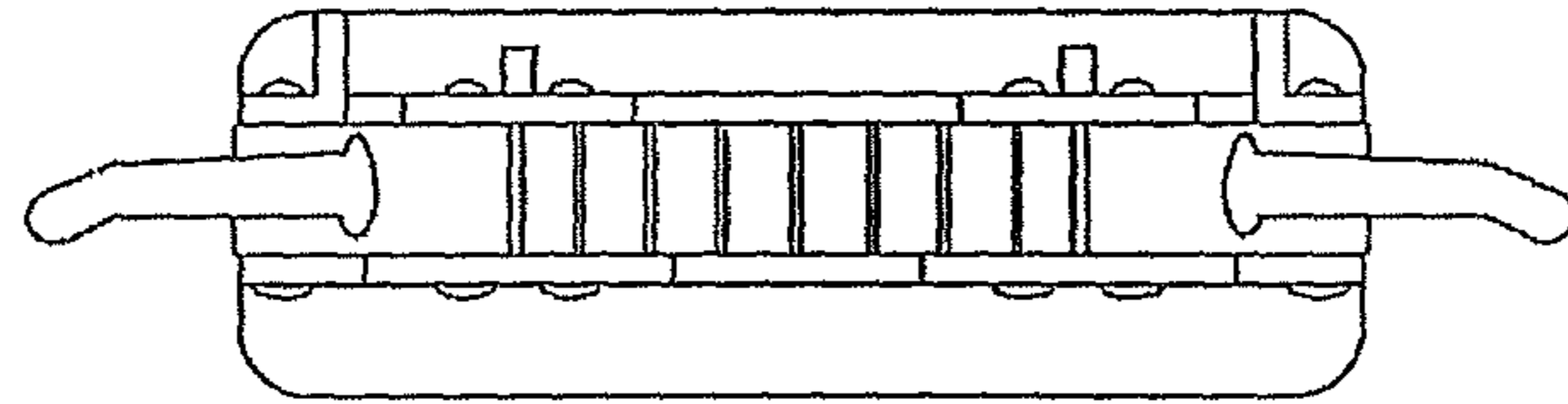


FIG. 11

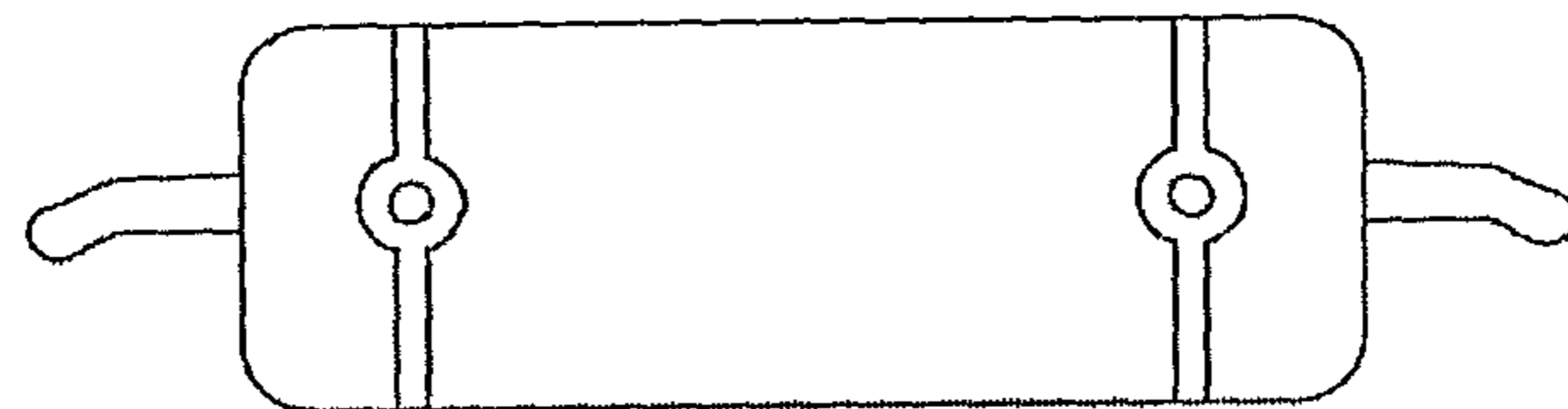


FIG. 12

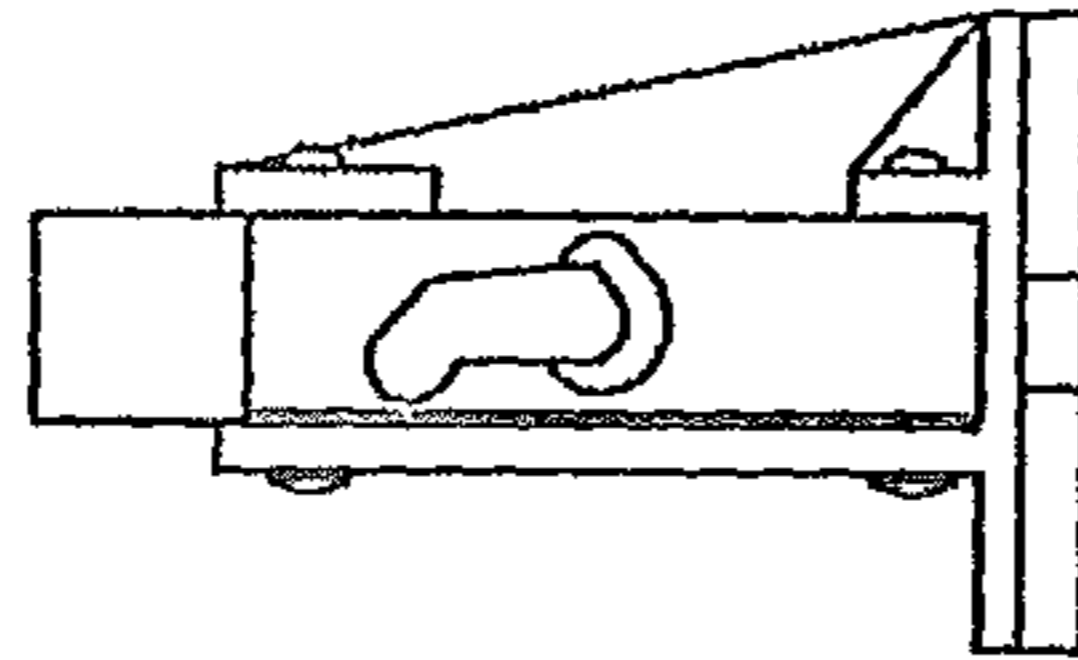


FIG. 13

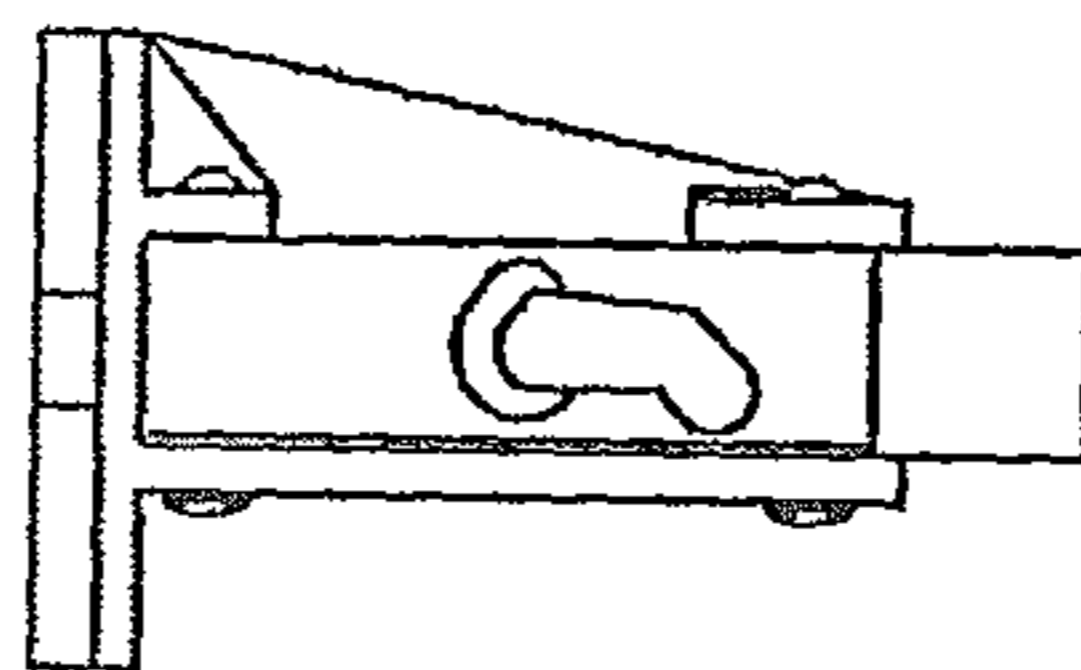


FIG. 14