



US00D705044S

(12) **United States Design Patent**
Hammac et al.

(10) **Patent No.:** **US D705,044 S**

(45) **Date of Patent:** **** May 20, 2014**

(54) **SHELF CLAMP**

(75) Inventors: **Scott R. Hammac**, Joliet, IL (US);
Joseph Coretti, Jr., Wheaton, IL (US);
J. Patrick Mitten, Barrington, IL (US)

(73) Assignee: **B-O-F Corporation**, Aurora, IL (US)

(**) Term: **14 Years**

(21) Appl. No.: **29/412,240**

(22) Filed: **Feb. 1, 2012**

(51) **LOC (10) Cl.** **08-05**

(52) **U.S. Cl.**
USPC **D8/380**; D8/381

(58) **Field of Classification Search**
USPC D8/380, 381, 354, 349; D6/320, 321,
D6/323, 326, 329, 553, 567, 568, 574;
248/477, 495, 488

See application file for complete search history.

(56) **References Cited**

U.S. PATENT DOCUMENTS

1,210,934	A *	1/1917	Hayes	40/765
3,049,323	A *	8/1962	Peterka	248/466
4,394,000	A *	7/1983	Kurtz	248/466
4,497,125	A *	2/1985	Hutchinson	40/657
D301,807	S *	6/1989	Friedman	D6/323
D310,455	S *	9/1990	Larsson	D6/491
D388,619	S *	1/1998	Klein et al.	D6/323
D434,968	S *	12/2000	Fortier	D8/354

6,332,547	B1	12/2001	Shaw et al.	211/59.2
6,669,036	B1 *	12/2003	Yang et al.	211/181.1
D498,136	S *	11/2004	Parker	D8/380
7,866,075	B2 *	1/2011	Meeker et al.	40/606.01

OTHER PUBLICATIONS

<http://www.youtube.com/watch?v=D0aHI8tPtcE&list=UUilsr91PSrZ6SPS5ajpIE7g&index=6>*

* cited by examiner

Primary Examiner — Robert M Spear

Assistant Examiner — Eliza Bennett-Hattan

(74) *Attorney, Agent, or Firm* — Marshall, Gerstein & Borun LLP

(57) **CLAIM**

The ornamental design for a shelf clamp, as shown and described.

DESCRIPTION

FIG. 1 is a left, rear perspective view of my shelf clamp illustrating our new design;

FIG. 2 is a right, front perspective view of the shelf clamp illustrated in FIG. 1;

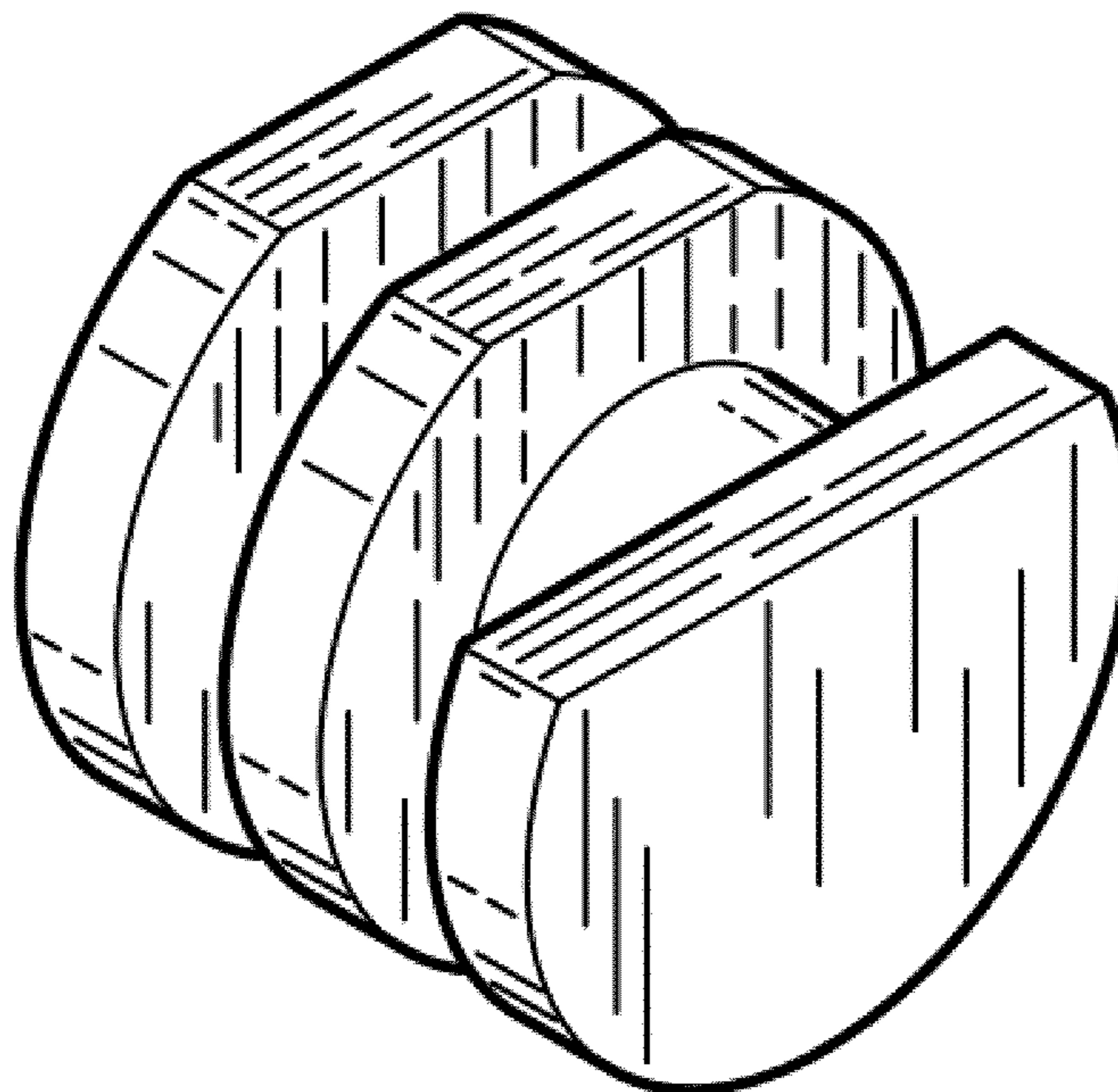
FIG. 3 is a rear view of the shelf clamp illustrated in FIG. 1;

FIG. 4 is a left side plan view of the shelf clamp illustrated in FIG. 1;

FIG. 5 is a front view of the shelf clamp illustrated in FIG. 1; and,

FIG. 6 is a top view of the shelf clamp illustrated in FIG. 1.

1 Claim, 1 Drawing Sheet



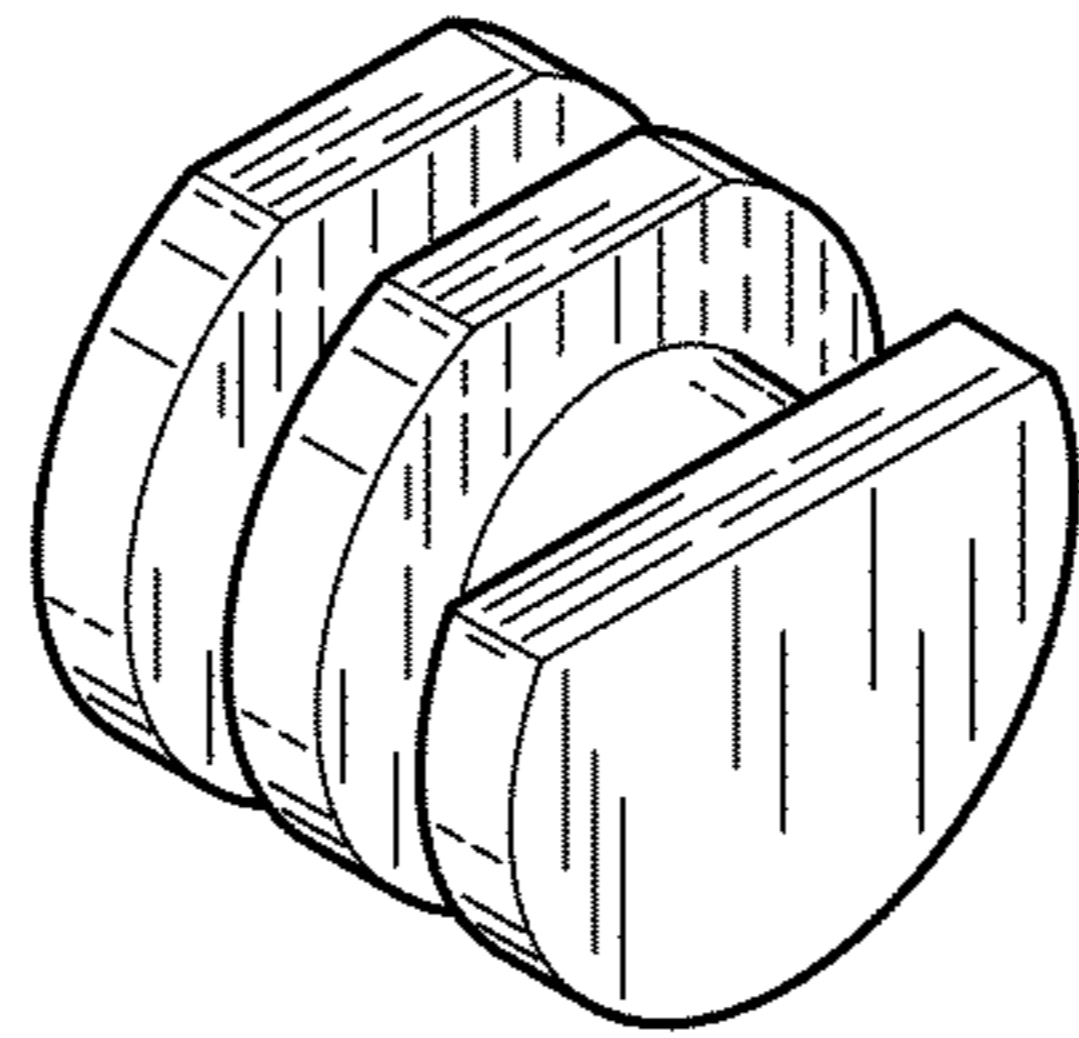


FIG. 1

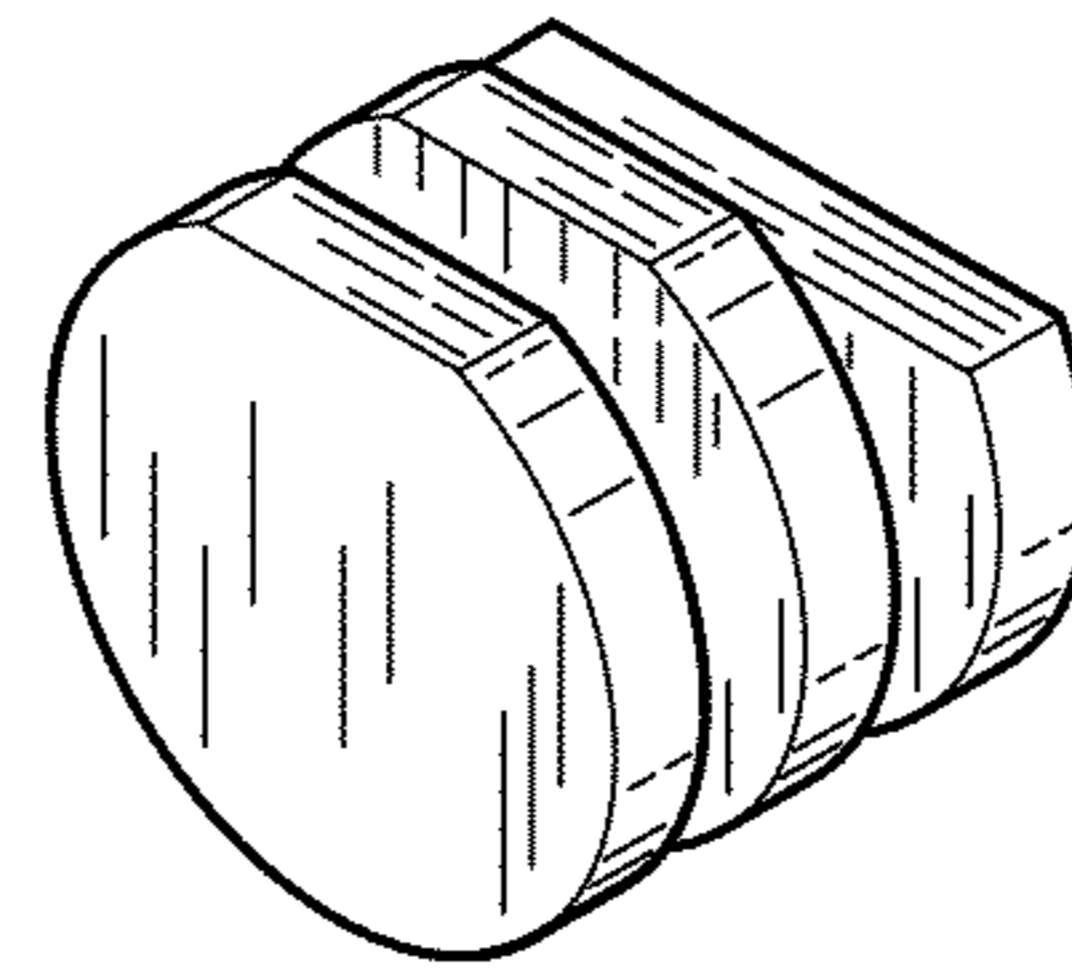


FIG. 2

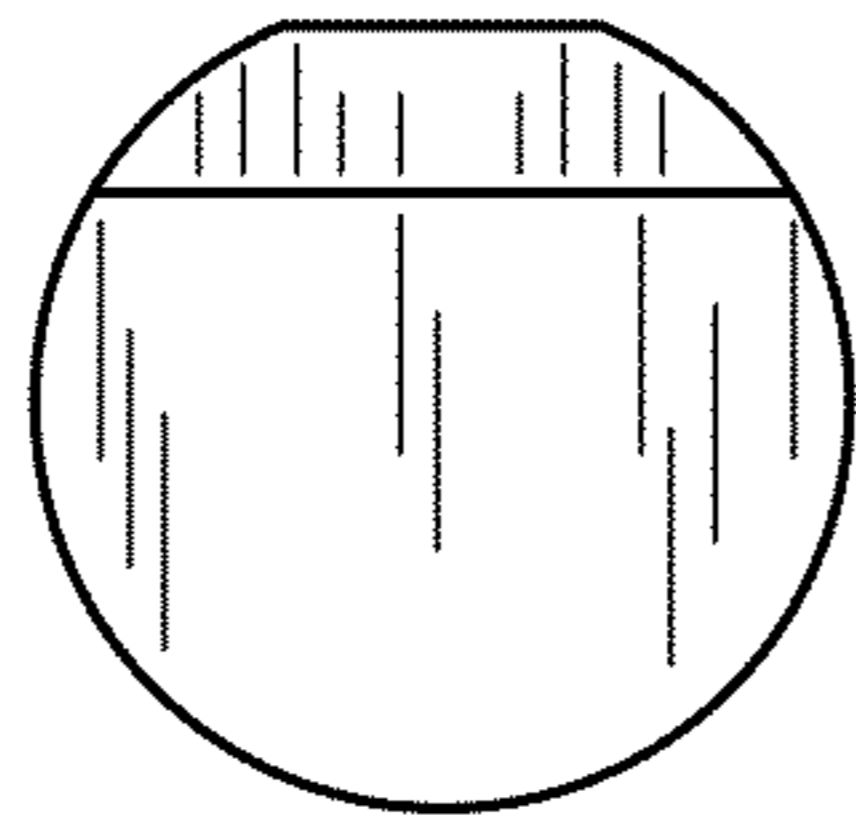


FIG. 3

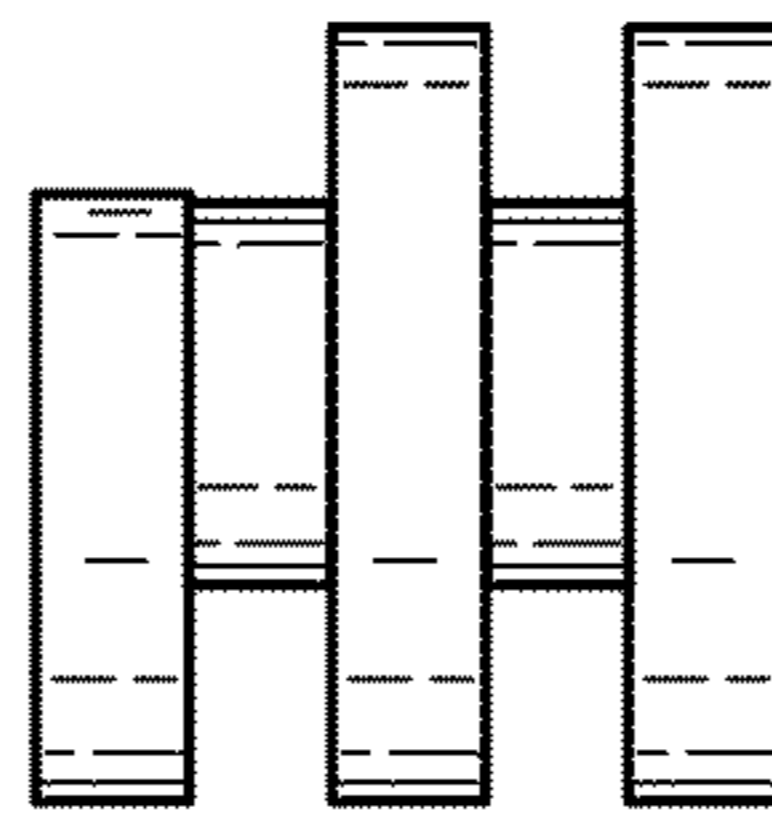


FIG. 4

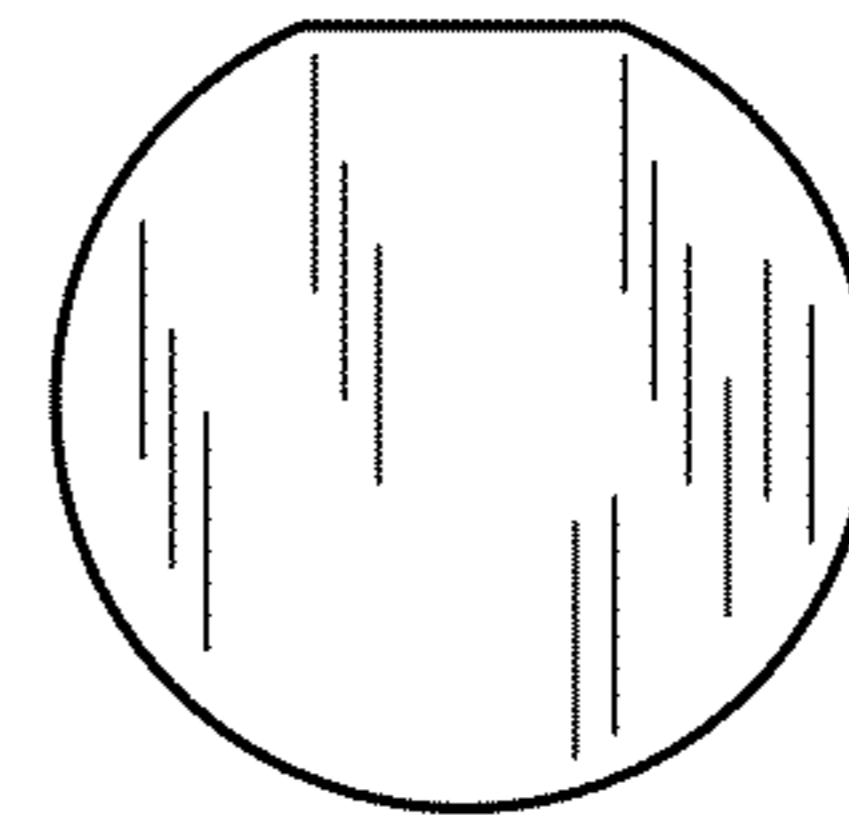


FIG. 5

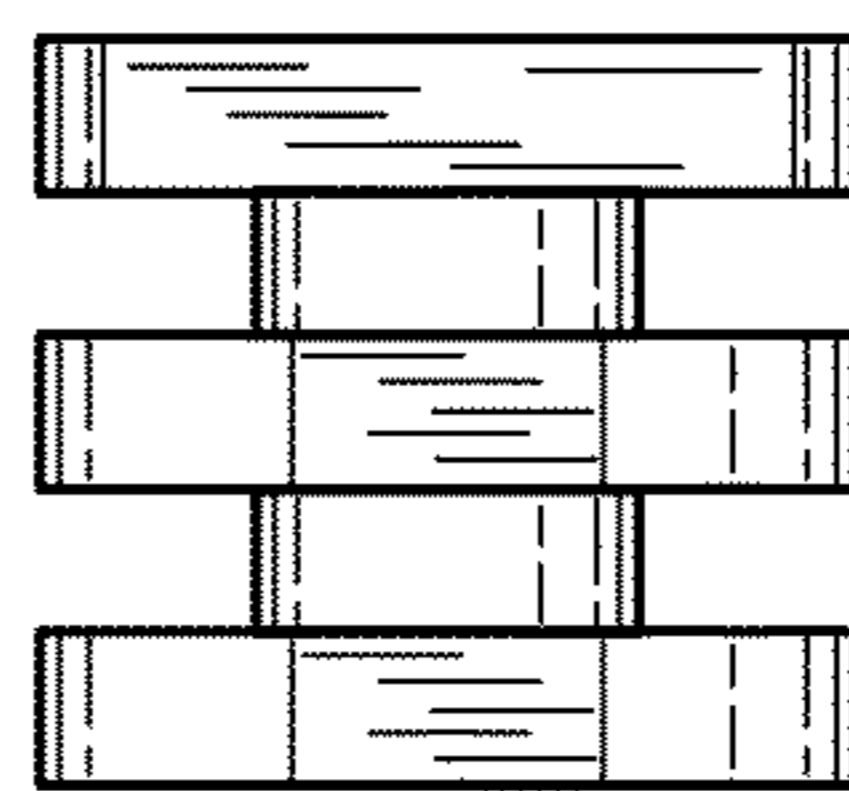


FIG. 6