



US00D705042S

(12) **United States Design Patent**  
**Walchle et al.**

(10) **Patent No.:** **US D705,042 S**

(45) **Date of Patent:** **\*\* May 20, 2014**

(54) **SHACKLE AND TONGUE**

(71) Applicant: **Tough Gear, Inc.**, Ponte Vedra Beach, FL (US)

(72) Inventors: **Kurt Walchle**, Ponte Vedra Beach, FL (US); **Matthew Bridgewater**, Saint Johns, FL (US); **Jason Sarnowski**, Jacksonville, FL (US); **Cole Coker**, Jacksonville, FL (US)

(73) Assignee: **Tough Gear, Inc.**, Ponte Vedra Beach, FL (US)

(\*\*) Term: **14 Years**

(21) Appl. No.: **29/476,412**

(22) Filed: **Dec. 13, 2013**

**Related U.S. Application Data**

(62) Division of application No. 29/413,538, filed on Feb. 16, 2012.

(51) **LOC (10) Cl.** ..... **08-05**

(52) **U.S. Cl.**  
USPC ..... **D8/356**

(58) **Field of Classification Search**

USPC ..... D8/367, 356, 371, 373, 354, 355, 349; D6/323; D3/24; 248/215, 301, 339, 248/349.1; 160/349.2; 24/265 H, 265 R, 24/599.1, 599.8, 113 R, 573.5, 115 R; 294/82.18, 82.35; 29/525.1, 45.3; 223/106; D14/432, 140, 217; 59/35.1, 59/86; 403/24; 114/249

See application file for complete search history.

(56) **References Cited**

**U.S. PATENT DOCUMENTS**

1,719,673 A \* 7/1929 Rottmer ..... 59/86  
2,449,593 A \* 9/1948 Drake ..... 24/115 R

3,958,411 A \* 5/1976 Bernt ..... 59/86  
4,079,584 A \* 3/1978 Shahan ..... 59/35.1  
4,216,987 A \* 8/1980 Ely ..... 294/82.35

(Continued)

*Primary Examiner* — Cynthia Underwood

(74) *Attorney, Agent, or Firm* — Seyfarth Shaw LLP

(57) **CLAIM**

The ornamental design for a shackle and tongue, as shown and described.

**DESCRIPTION**

FIG. 1 is a perspective view of the shackle and tongue showing a third embodiment of the new design;

FIG. 2 is a front side view of the shackle and tongue shown in FIG. 1;

FIG. 3 is a rear view of the shackle and tongue shown in FIG. 1;

FIG. 4 is a front view of the shackle and tongue shown in FIG. 1;

FIG. 5 is a bottom side view of the shackle and tongue shown in FIG. 1;

FIG. 6 is a side view of one side of the shackle and tongue shown in FIG. 1;

FIG. 7 is a side view of the other side of the shackle and tongue shown in FIG. 1;

FIG. 8 is a perspective view of the shackle and tongue showing a second embodiment of the new design;

FIG. 9 is a front side view of the shackle and tongue shown in FIG. 8;

FIG. 10 is a rear view of the shackle and tongue shown in FIG. 8;

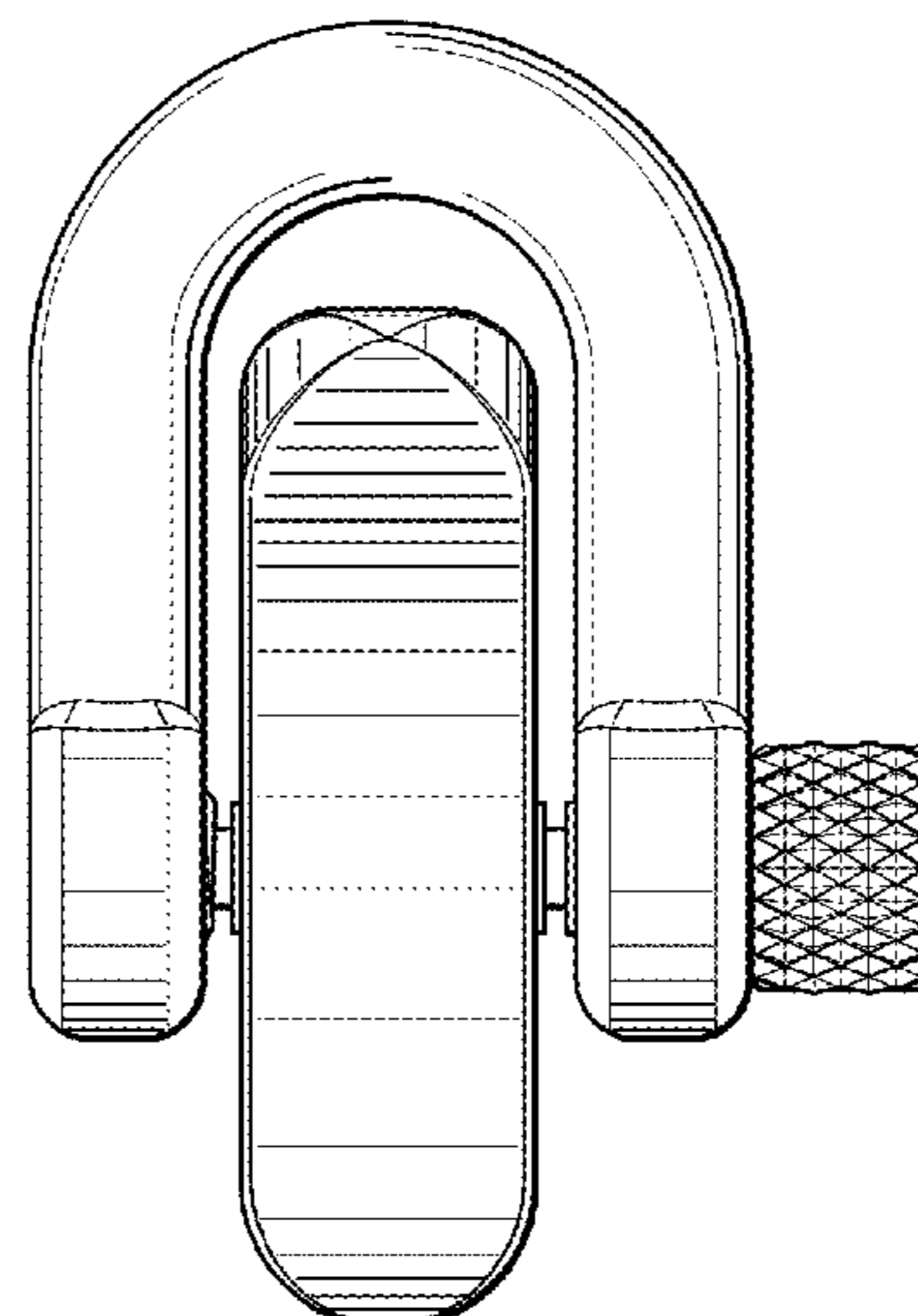
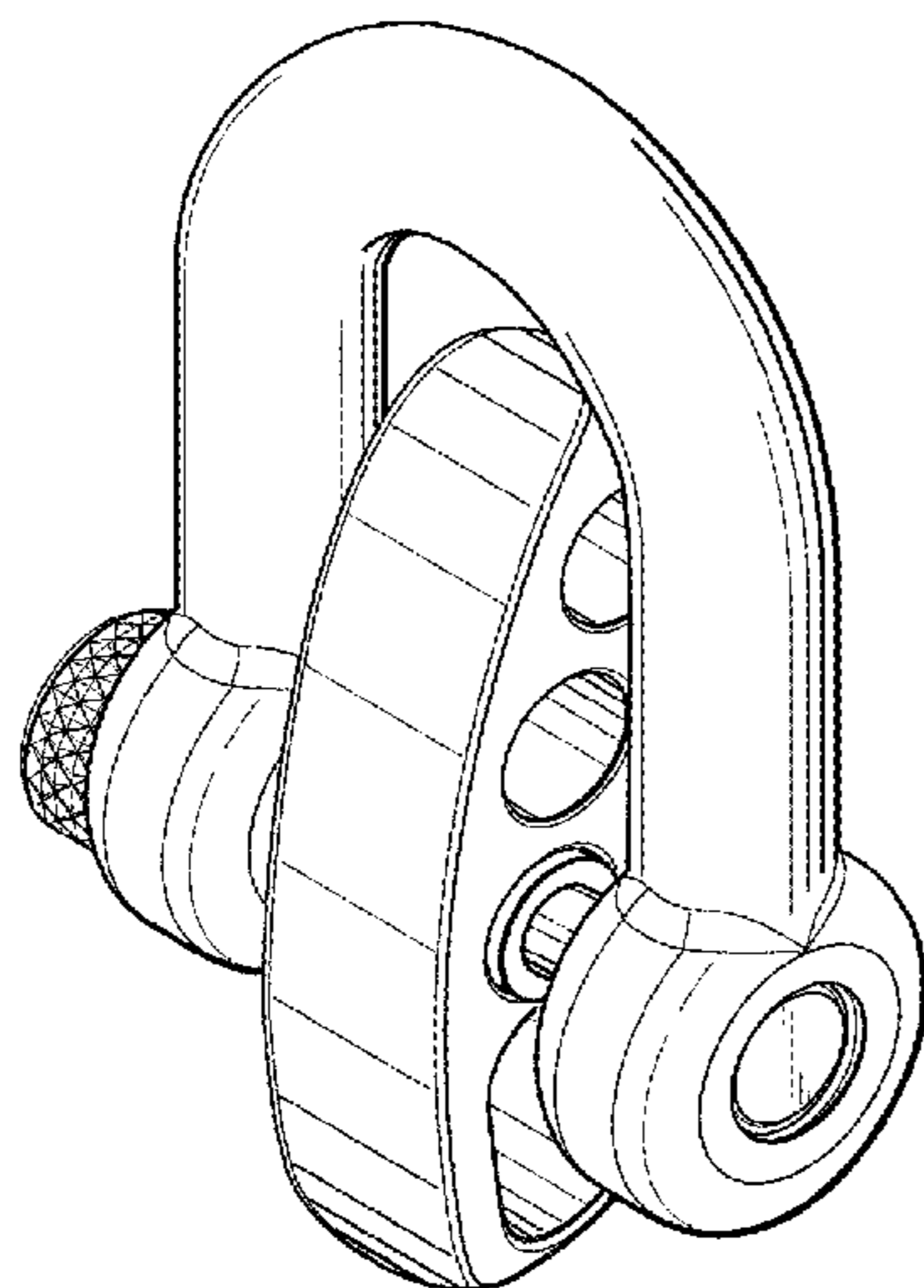
FIG. 11 is a front view of the shackle and tongue shown in FIG. 8;

FIG. 12 is a bottom side view of the shackle and tongue shown in FIG. 8;

FIG. 13 is a side view of one side of the shackle and tongue shown in FIG. 8; and,

FIG. 14 is a side view of the other side of the shackle and tongue shown in FIG. 8.

**1 Claim, 8 Drawing Sheets**



(56)

**References Cited**

U.S. PATENT DOCUMENTS

4,307,567	A *	12/1981	Archer	.....	59/86	6,145,293	A *	11/2000	Jenkins, Jr.	.....	59/86
D265,173	S *	6/1982	Brooks	.....	D8/356	7,393,033	B1 *	7/2008	Bisso, IV	.....	294/82.1
4,788,927	A *	12/1988	Casey	.....	114/249	7,654,594	B2 *	2/2010	Bisso, IV	.....	294/82.35
5,046,881	A *	9/1991	Swager	.....	403/154	7,698,915	B2 *	4/2010	Wyers	.....	70/33
5,114,260	A *	5/1992	Hart et al.	.....	403/24	D625,987	S *	10/2010	Barrese	.....	D8/367
RE34,046	E *	9/1992	Shahan	.....	59/35.1	8,104,988	B2 *	1/2012	Lunn et al.	.....	403/154
5,433,547	A *	7/1995	Hart et al.	.....	403/24	8,171,715	B2 *	5/2012	Segura	.....	59/86
6,023,927	A *	2/2000	Epstein	.....	59/86	8,205,922	B1 *	6/2012	Ohman, Jr.	.....	294/82.11
D433,617	S *	11/2000	Gray, Jr.	.....	D8/356	8,376,434	B2 *	2/2013	Gaibler et al.	.....	294/74
						D687,699	S *	8/2013	Hollis et al.	.....	D8/356
						8,641,076	B2 *	2/2014	Sparkes et al.	.....	280/480

\* cited by examiner

Fig. 1

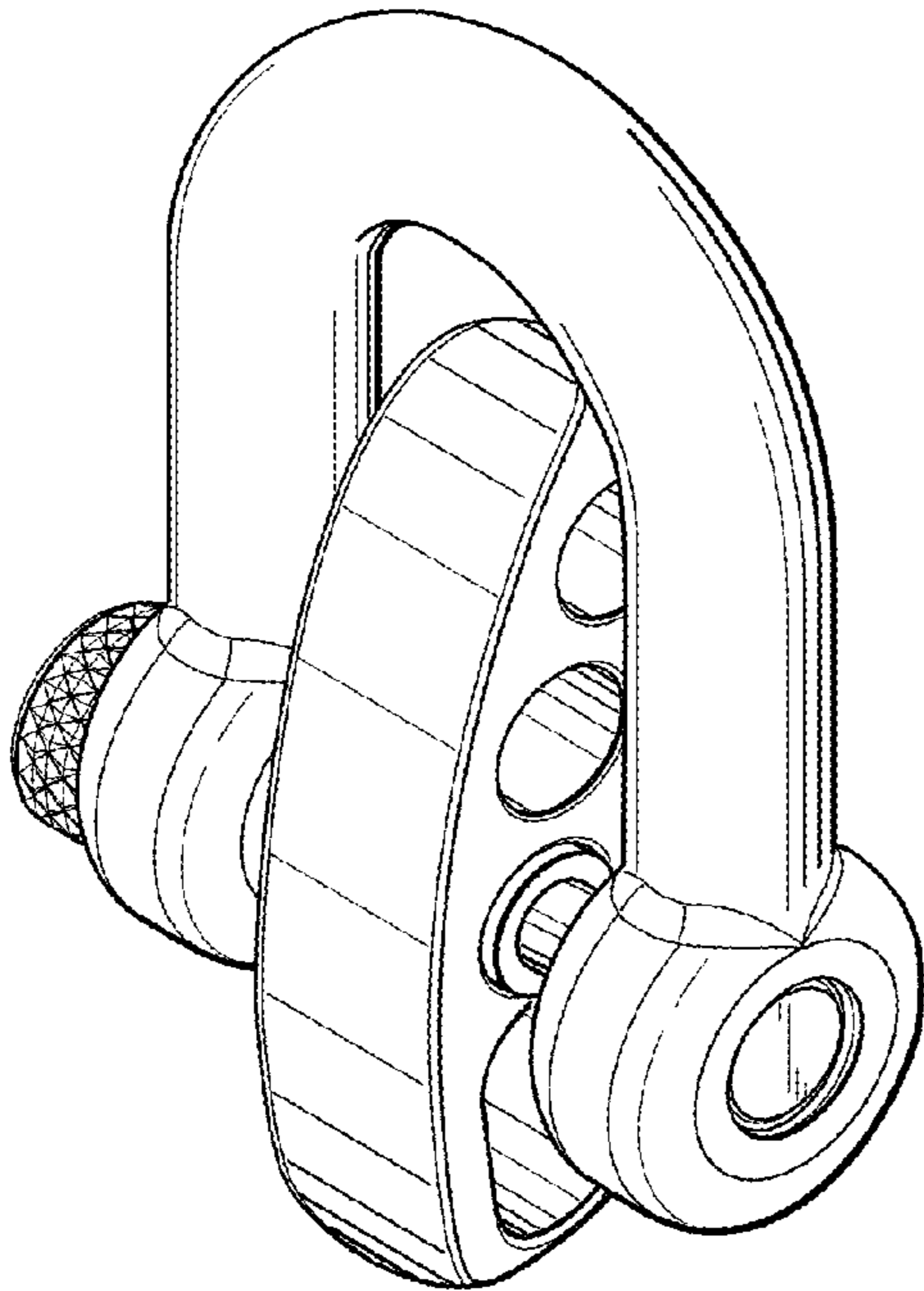


Fig. 3

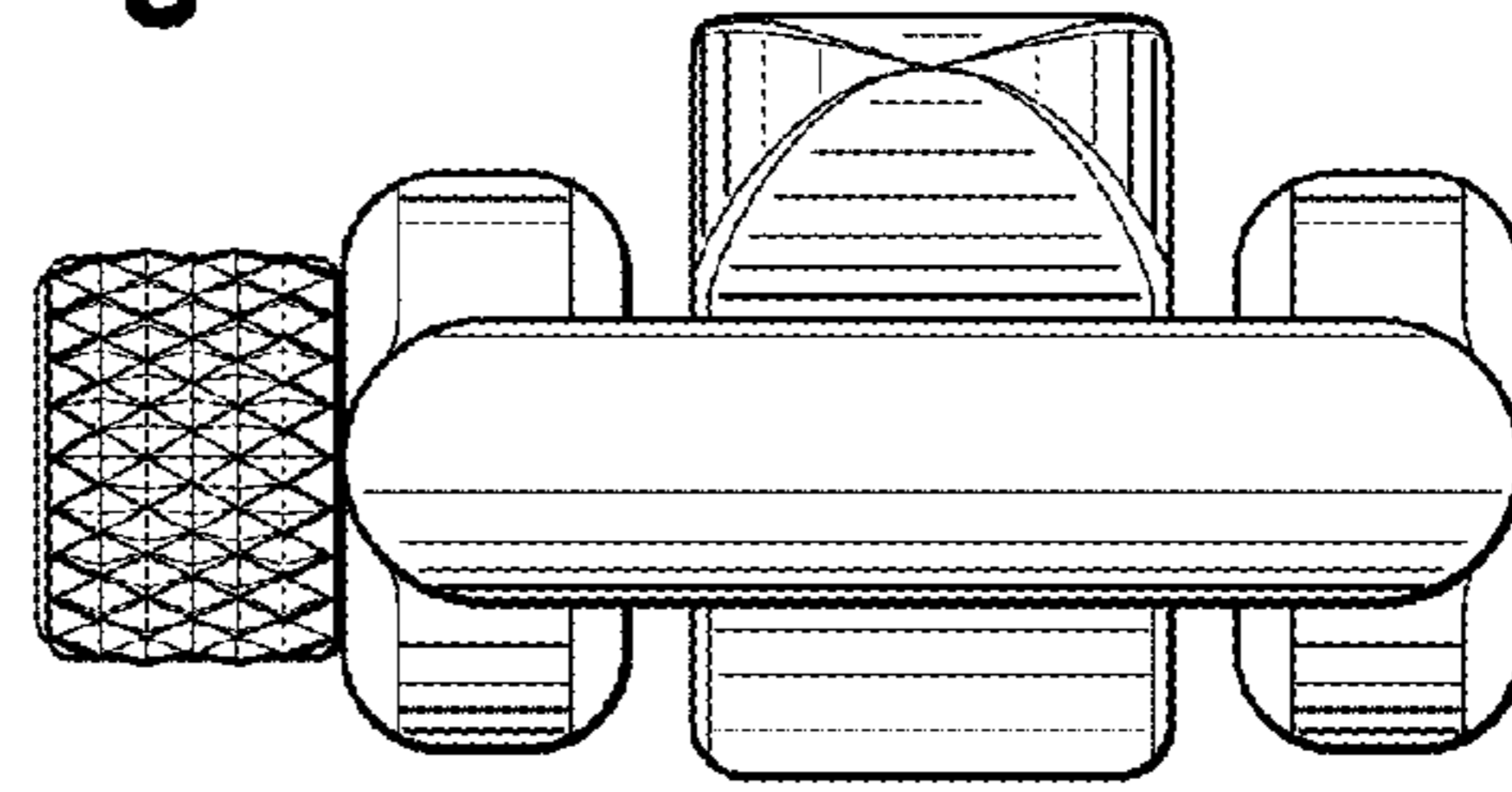


Fig. 2

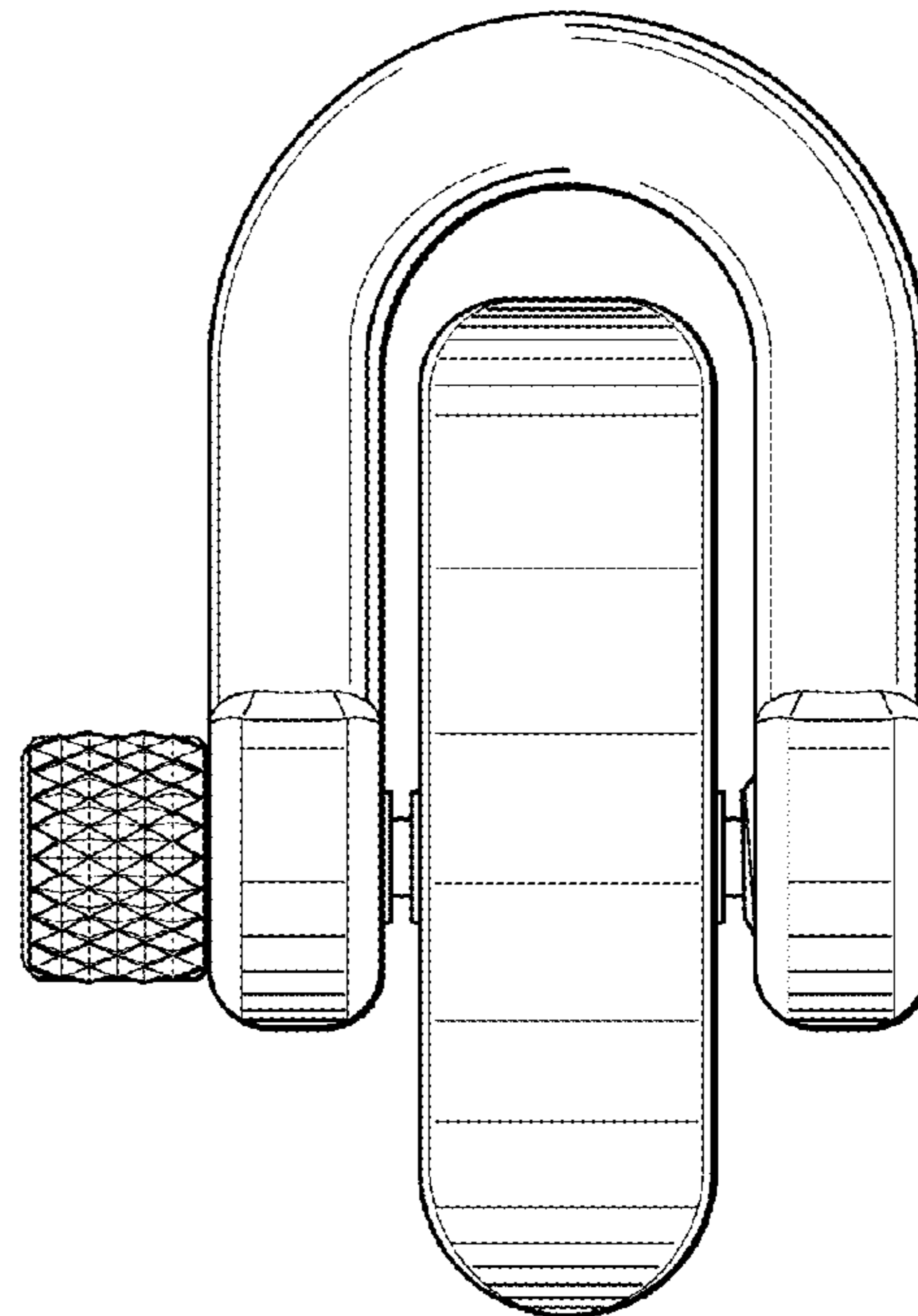


Fig. 4

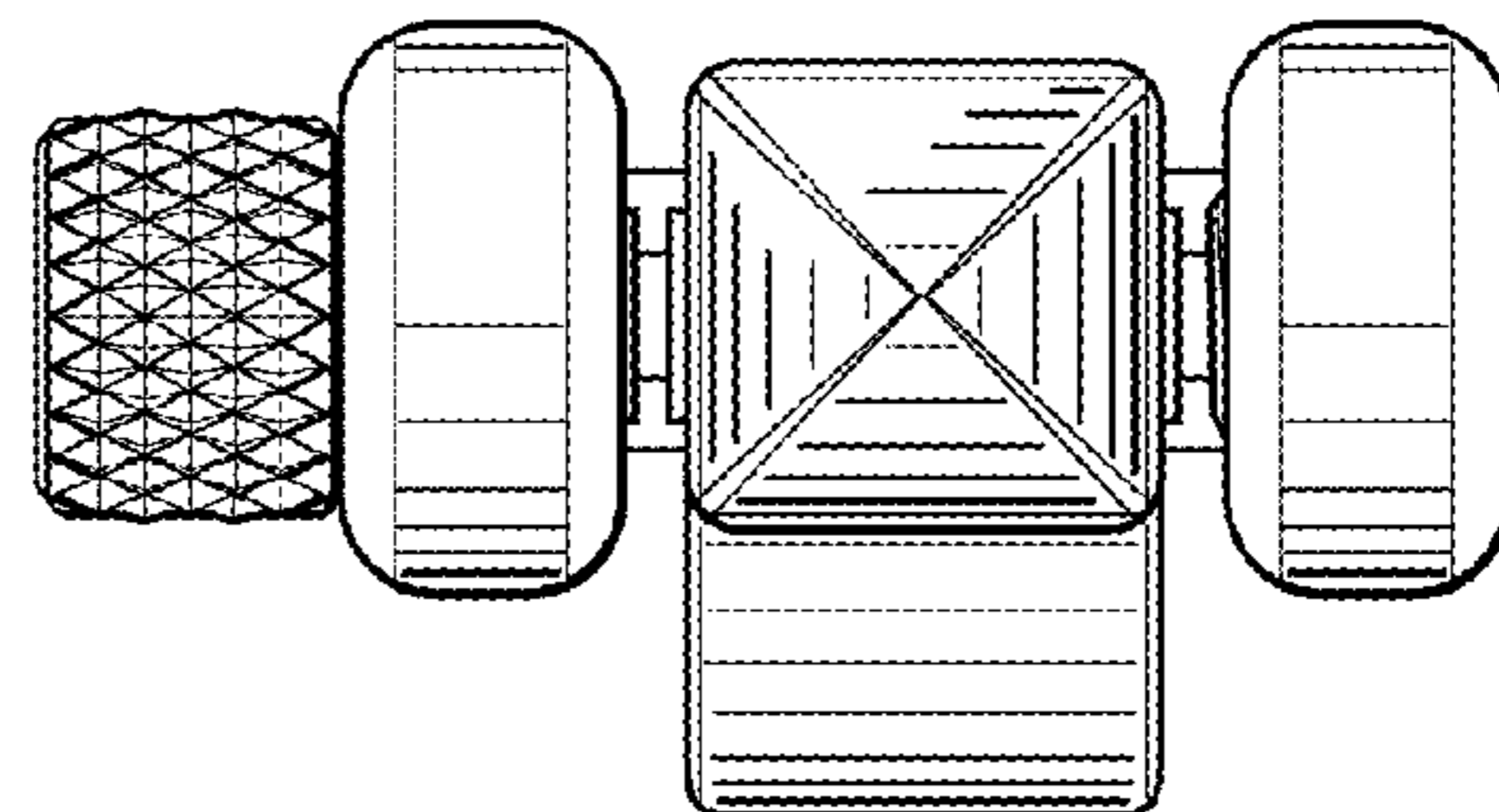


Fig. 6

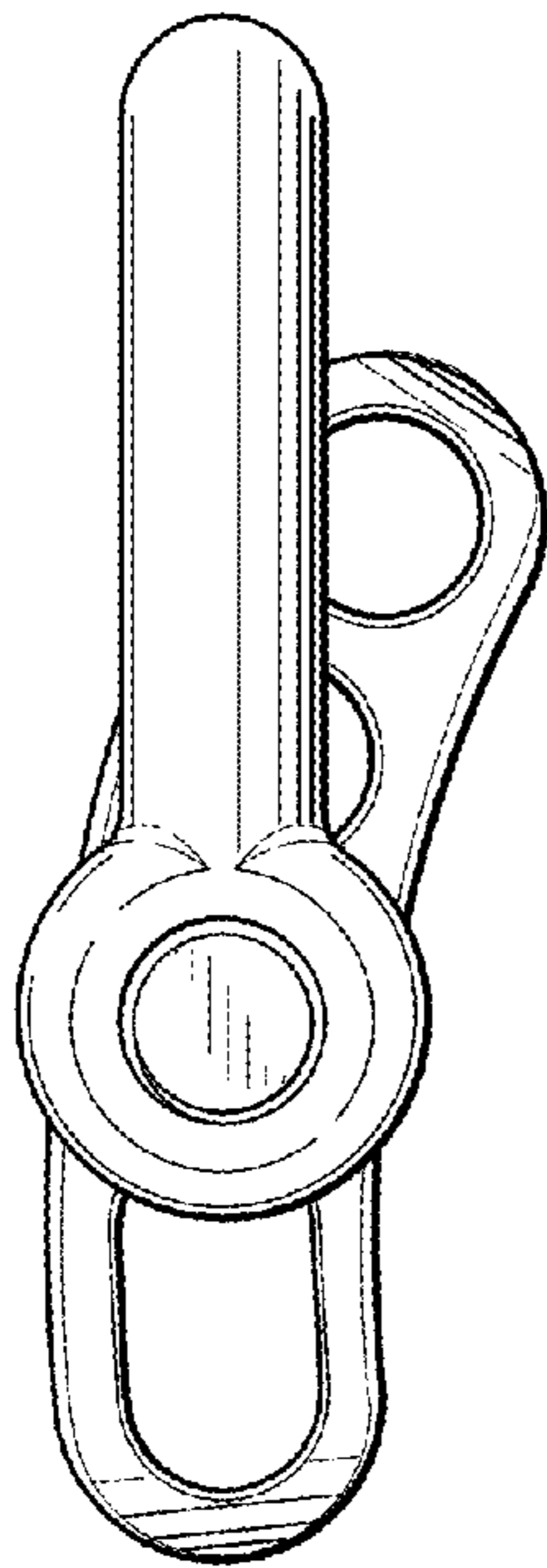


Fig. 5

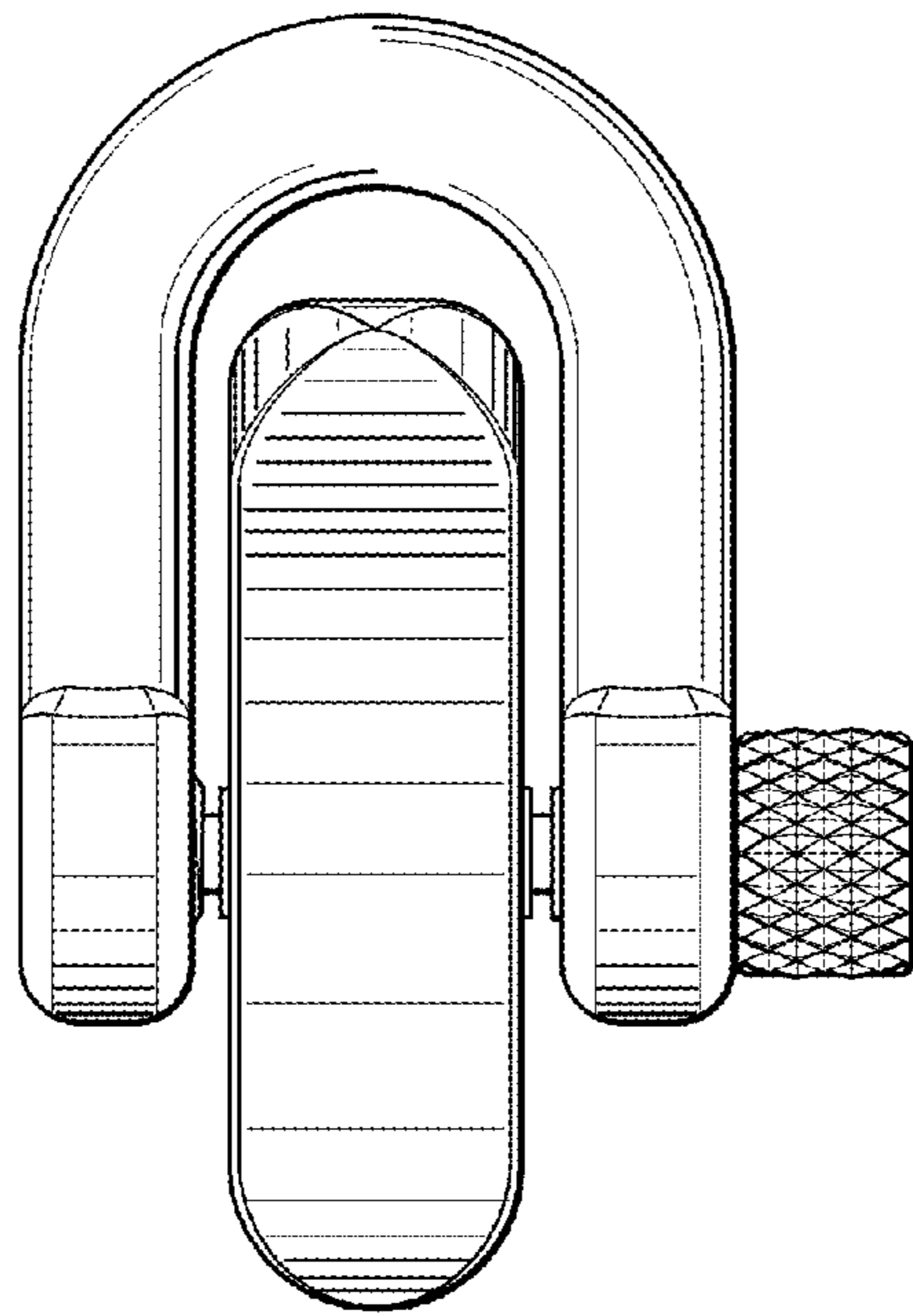


Fig. 7

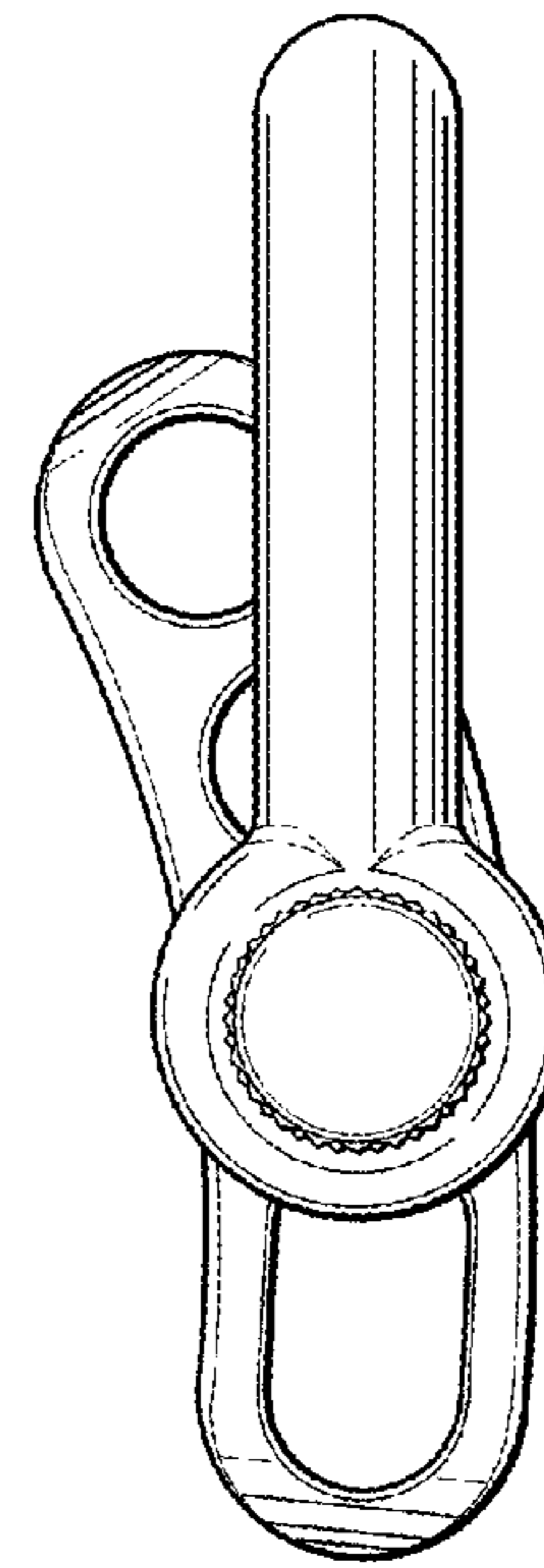




Fig. 10

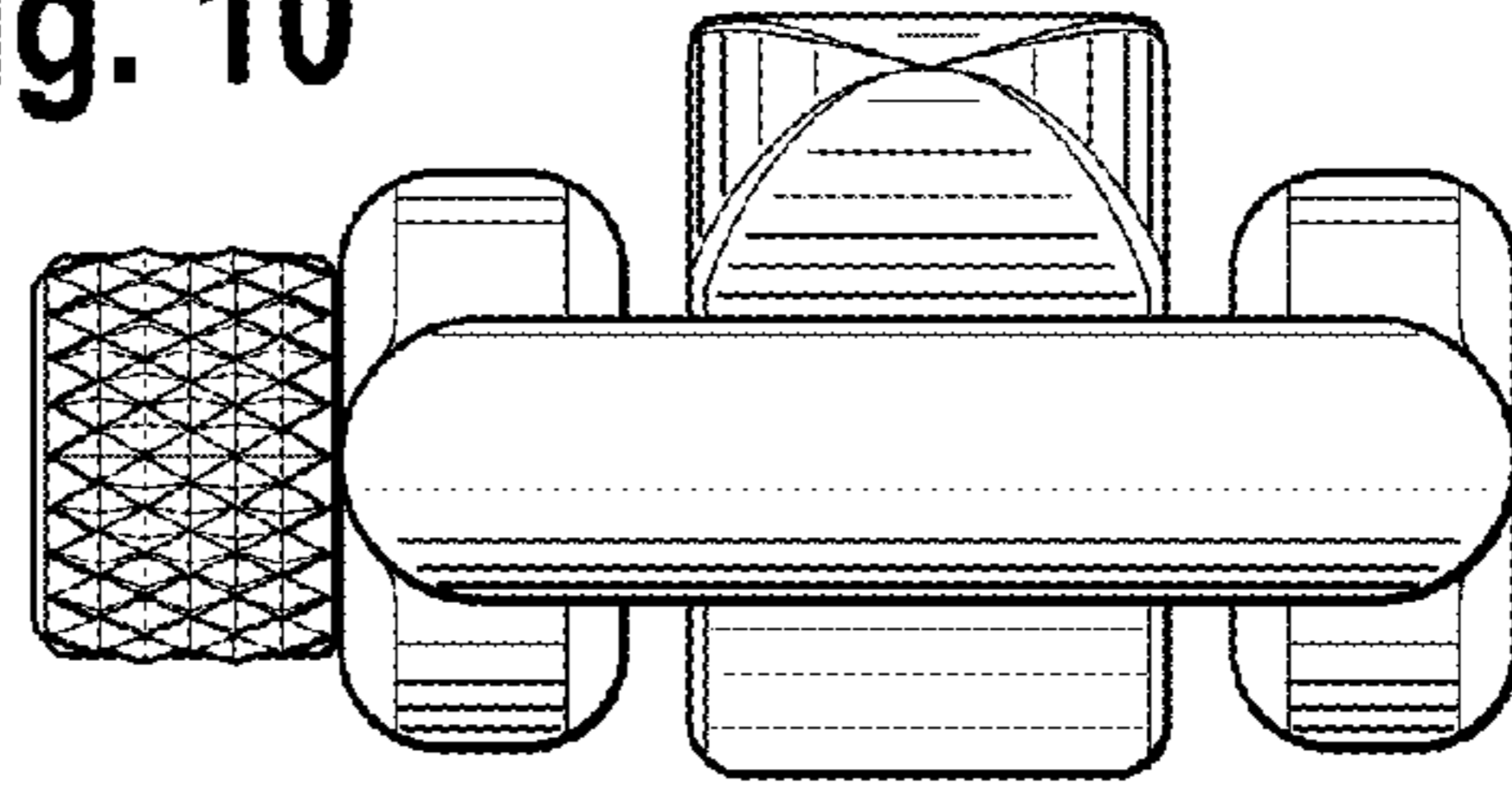


Fig. 8

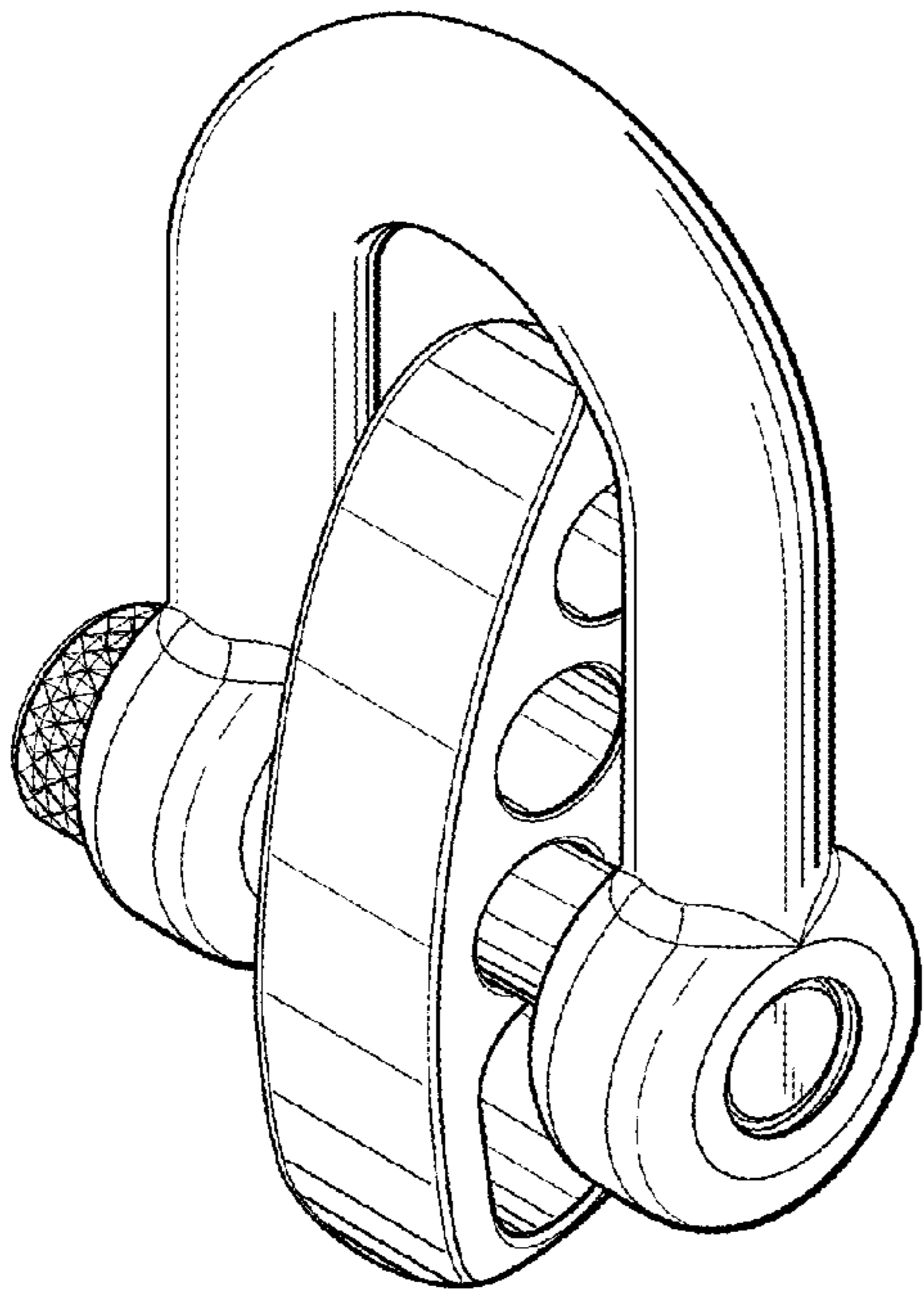


Fig. 9

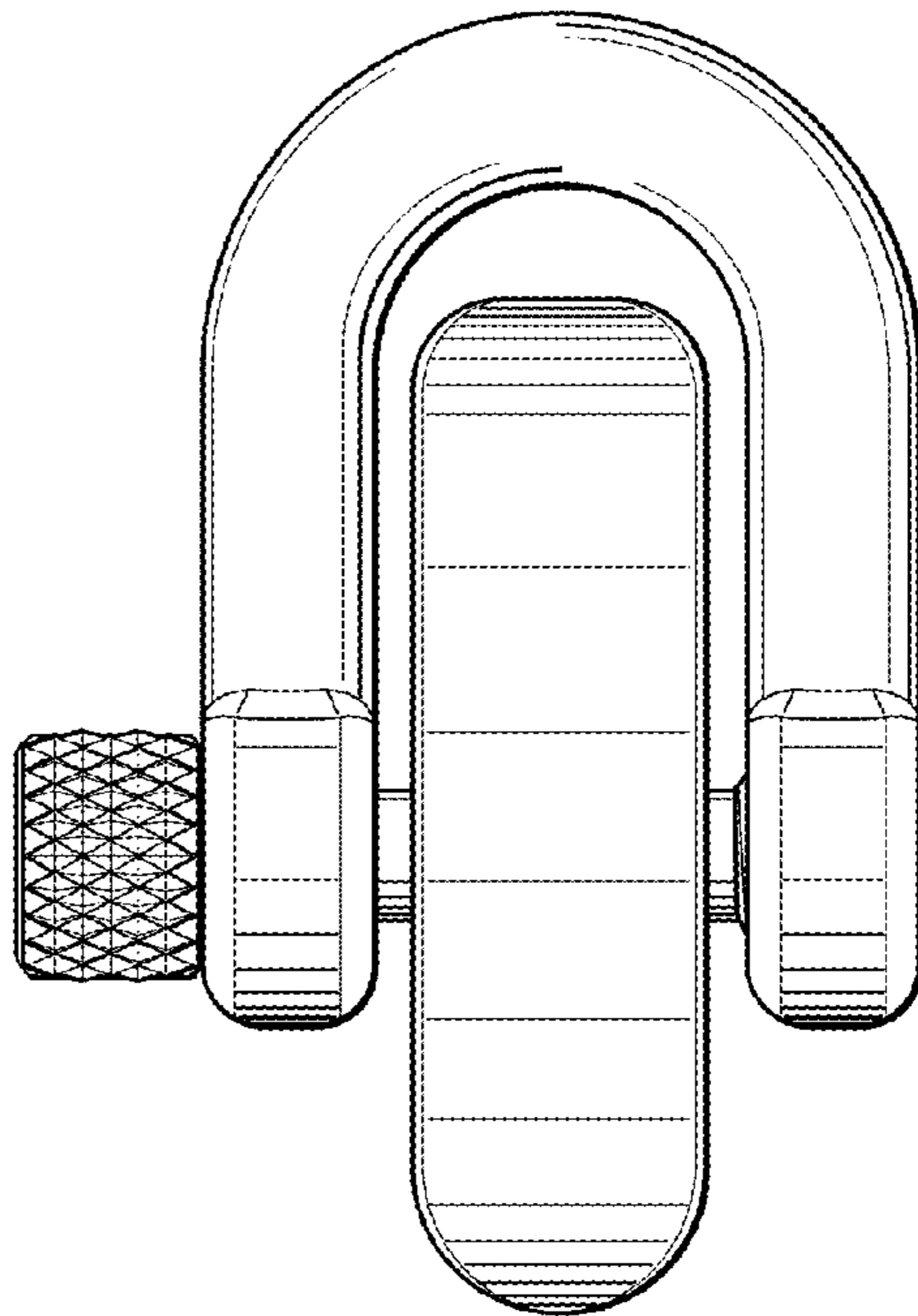


Fig. 11

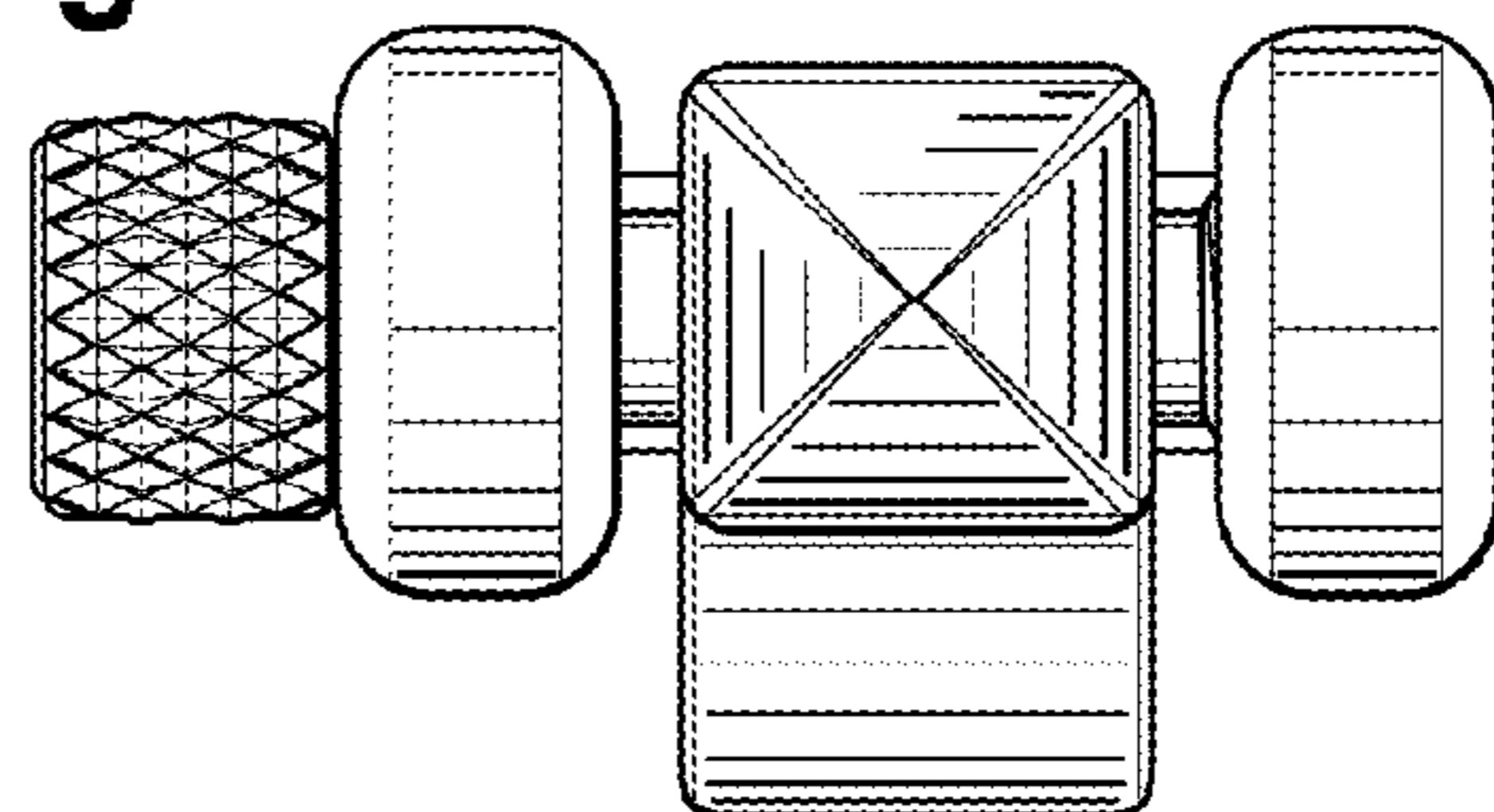


Fig. 13

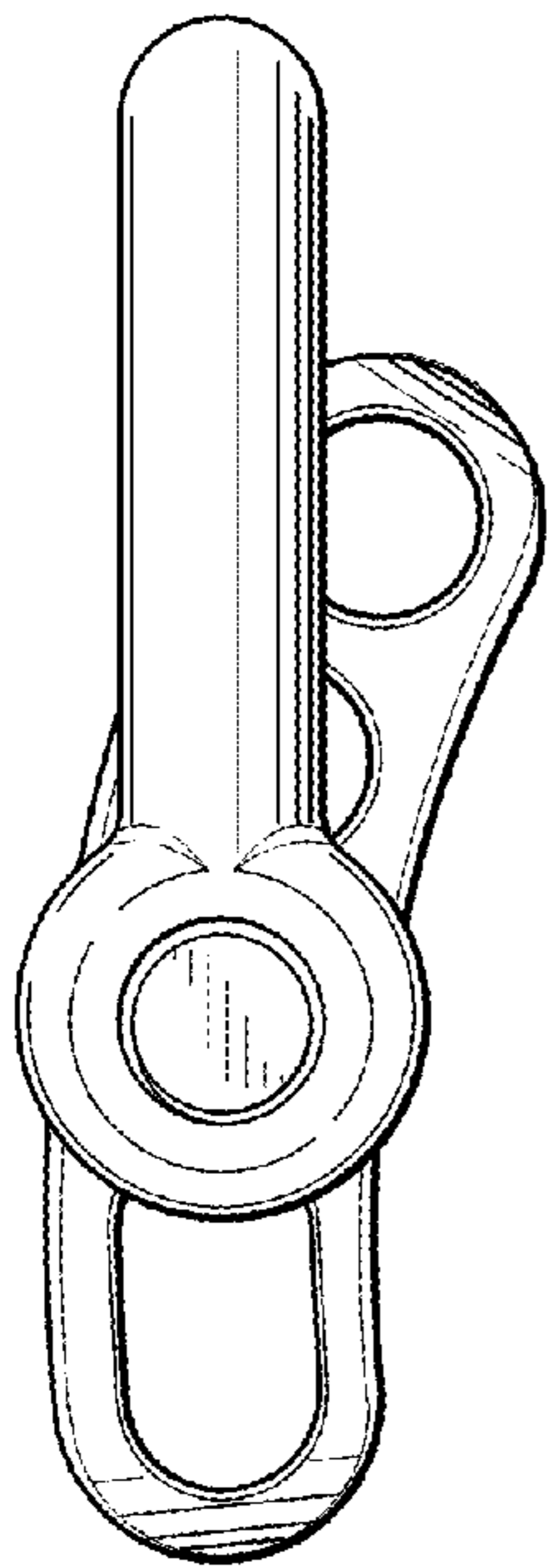


Fig. 12

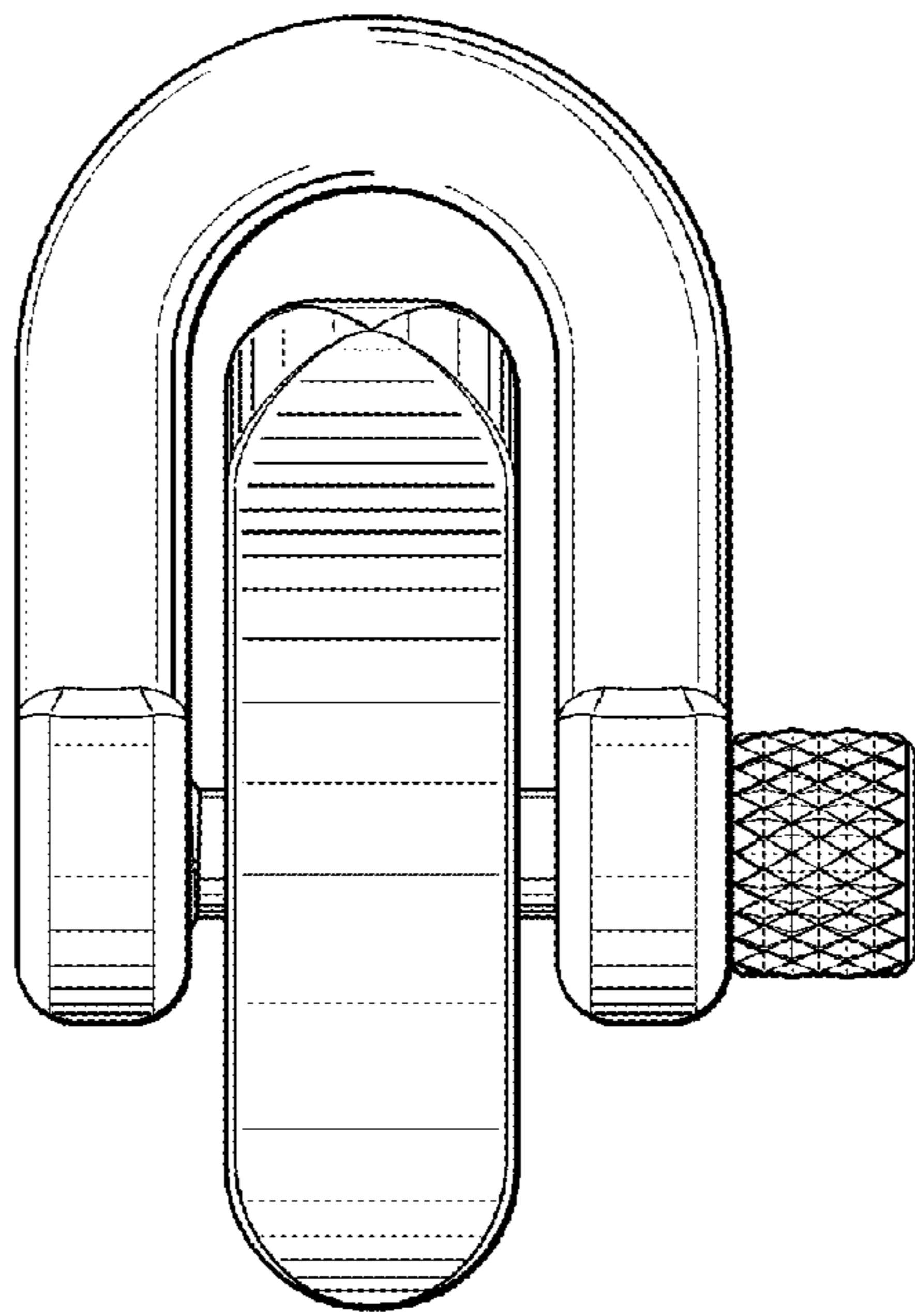


Fig. 14

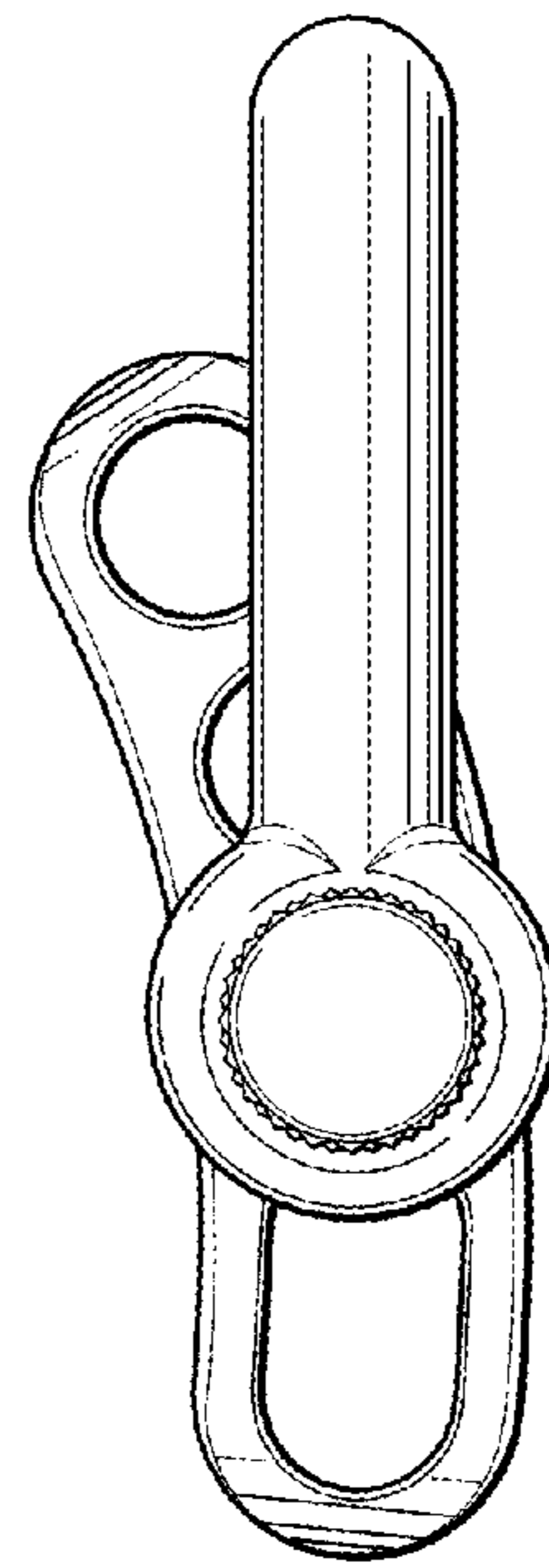


Fig. 17

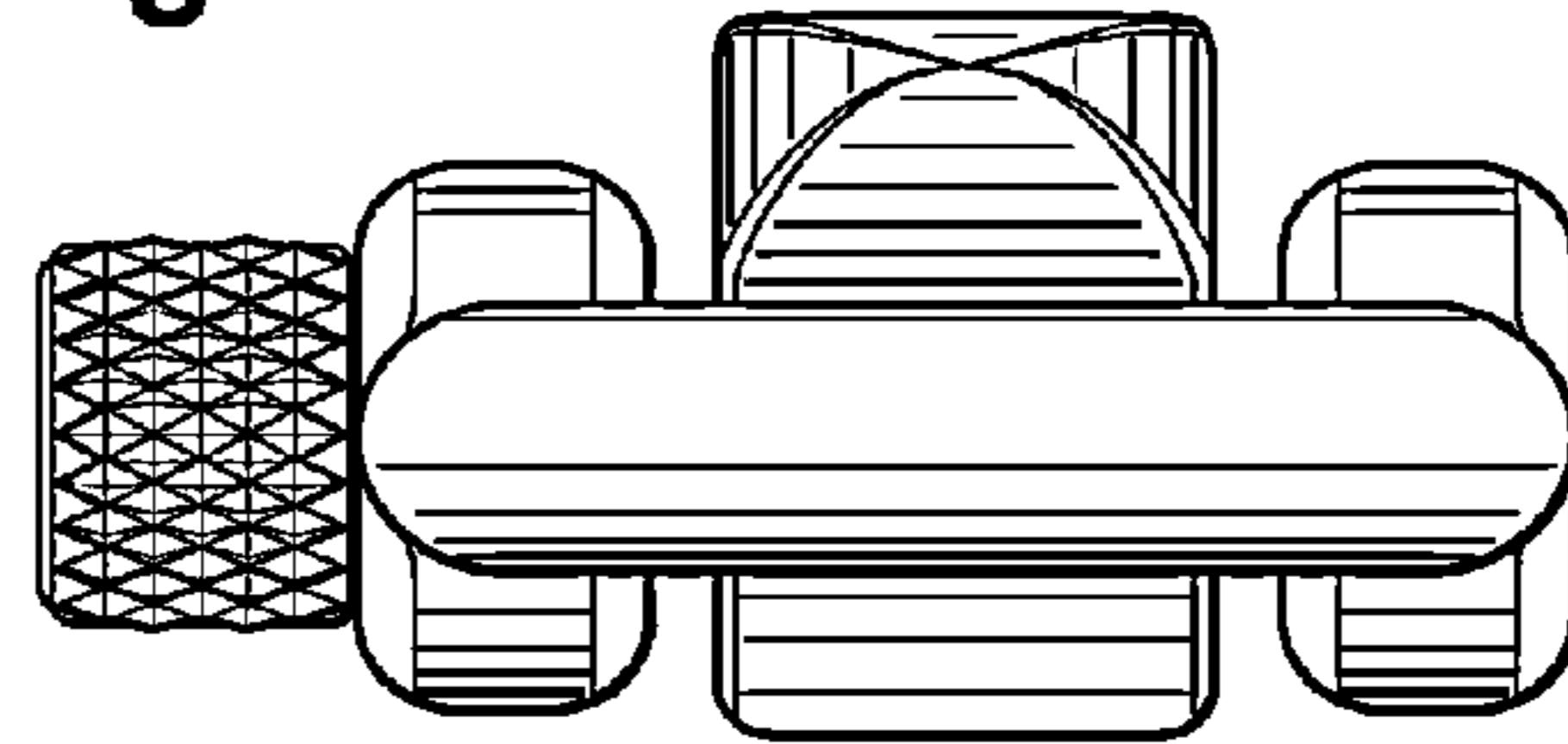


Fig. 15

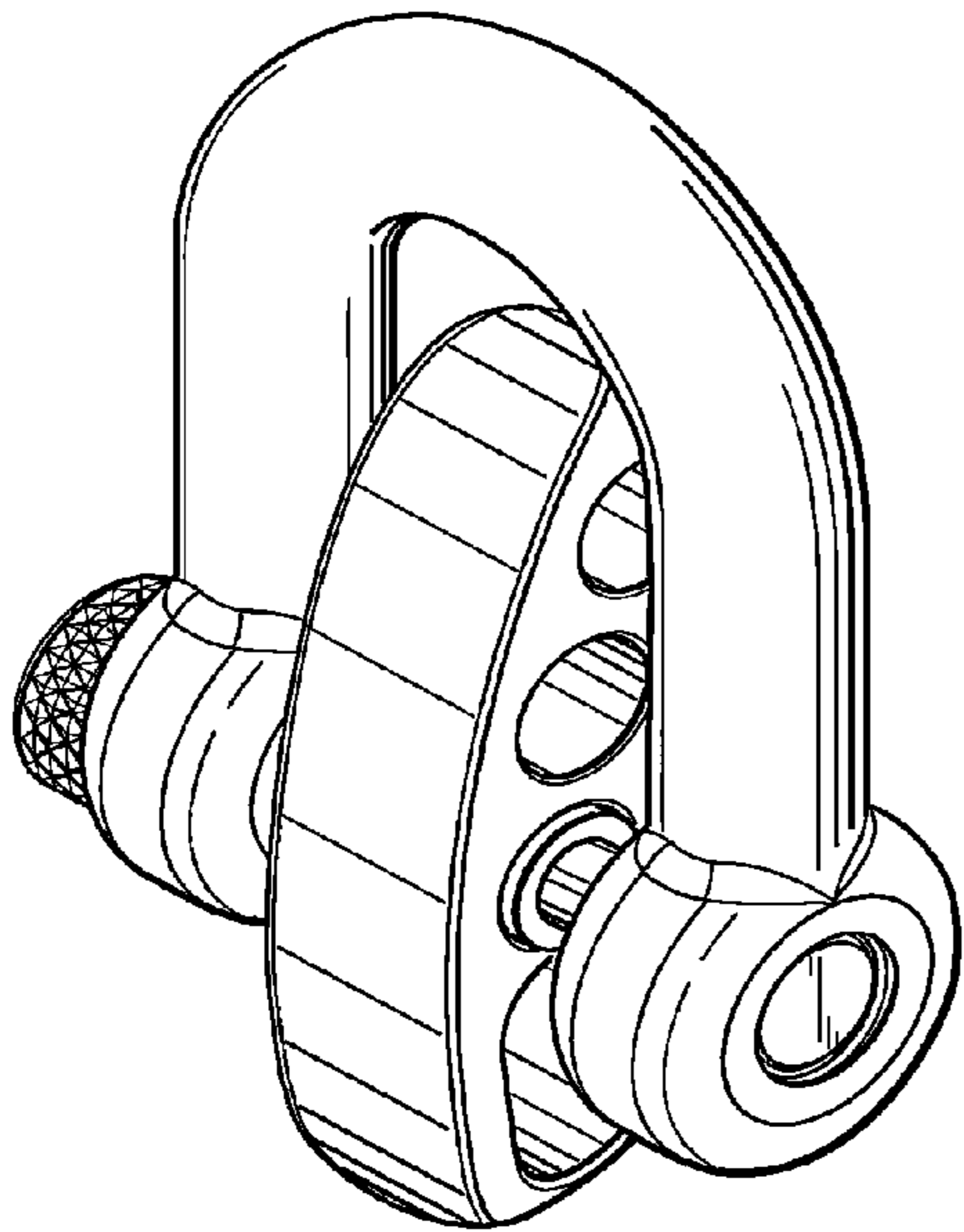


Fig. 16

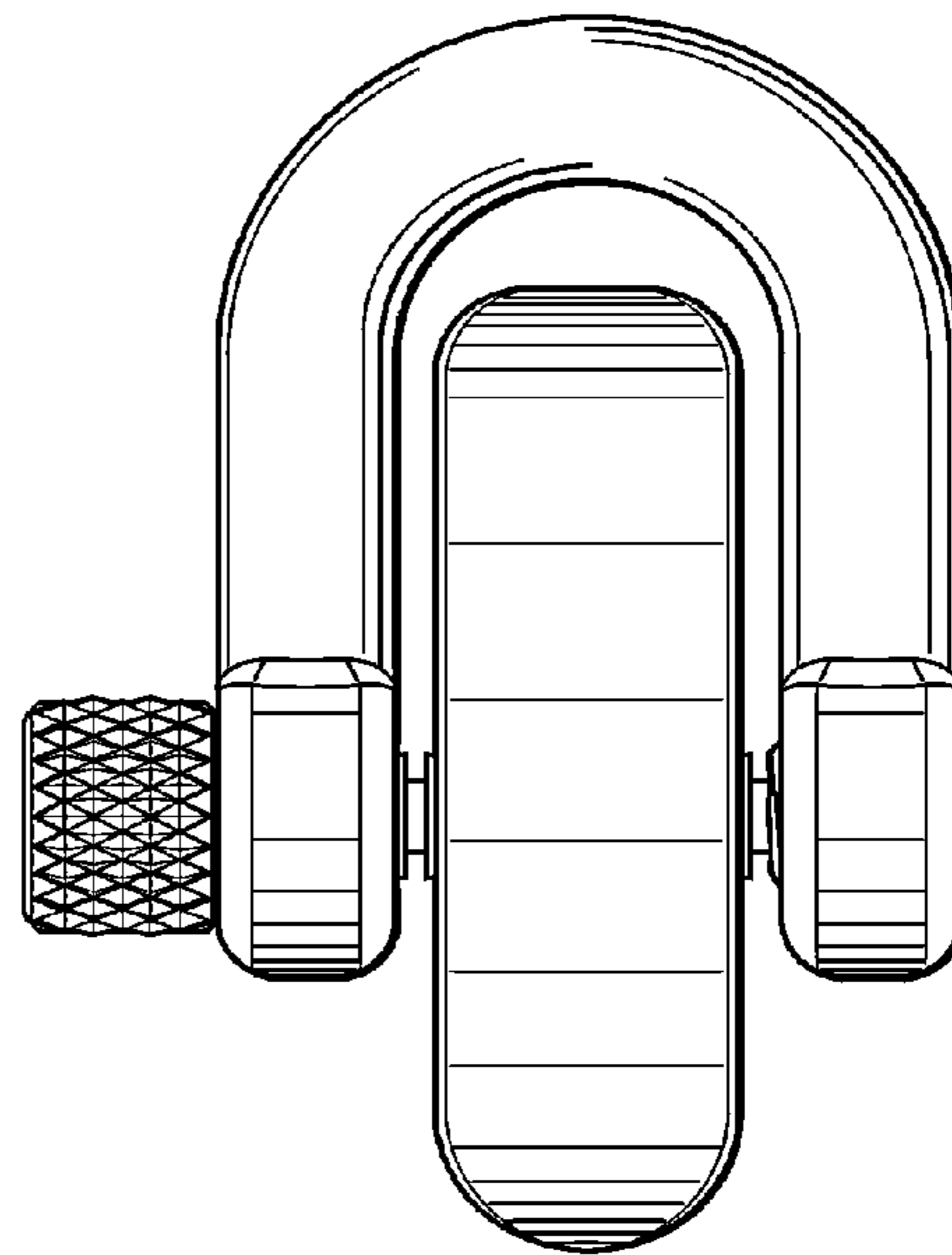


Fig. 18

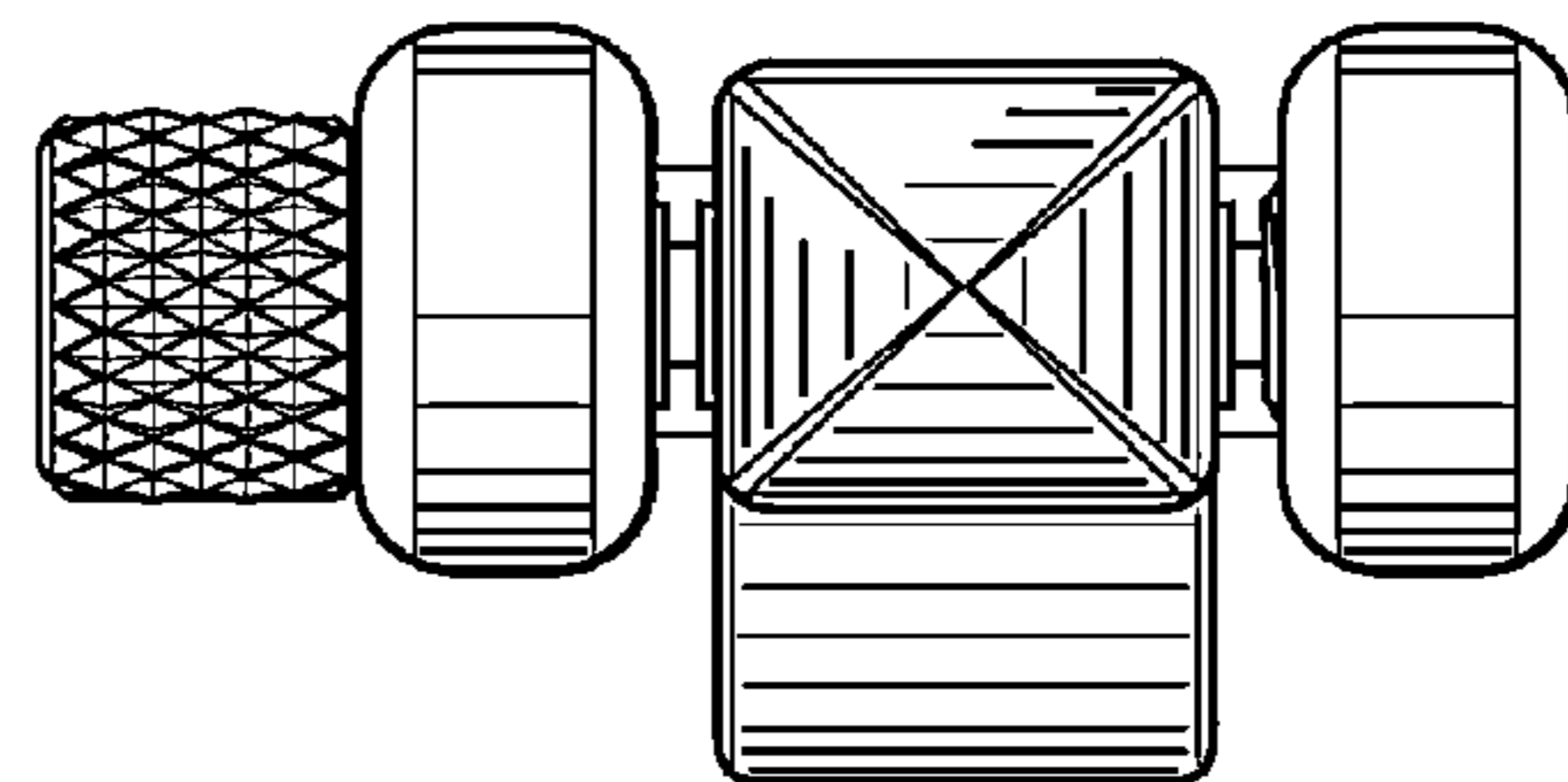


Fig. 20

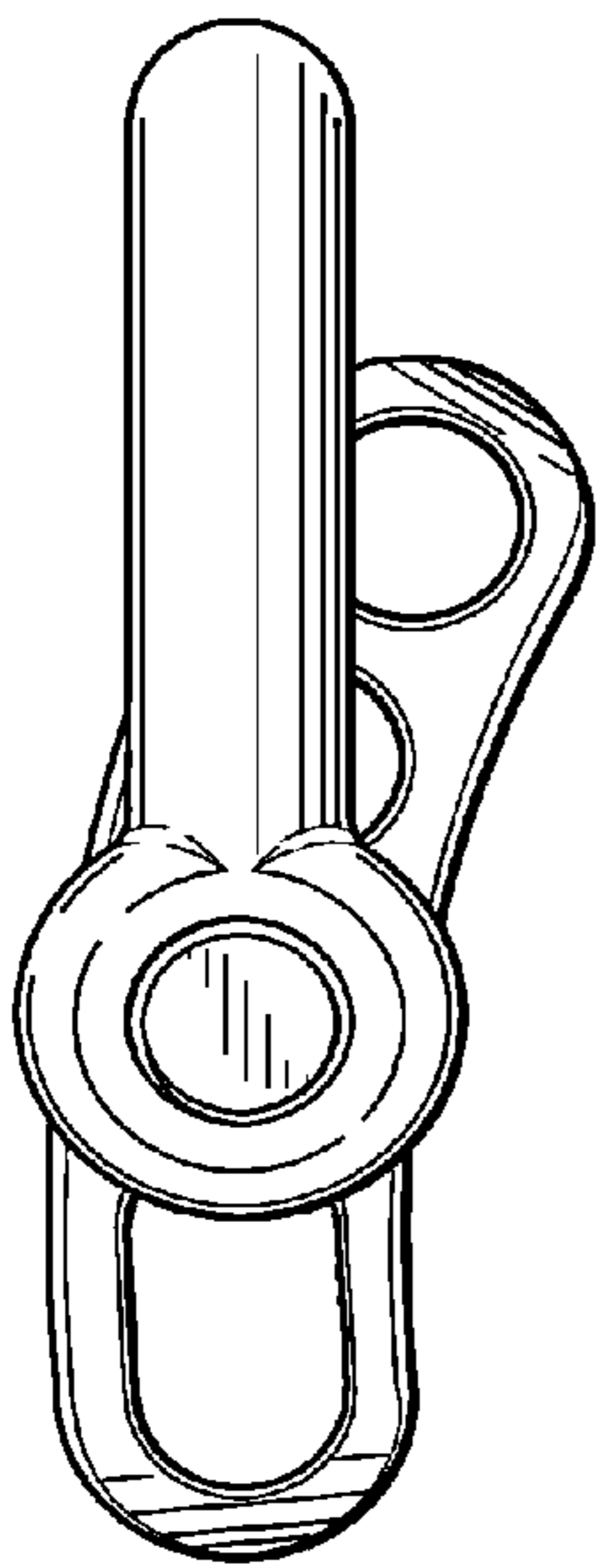


Fig. 19

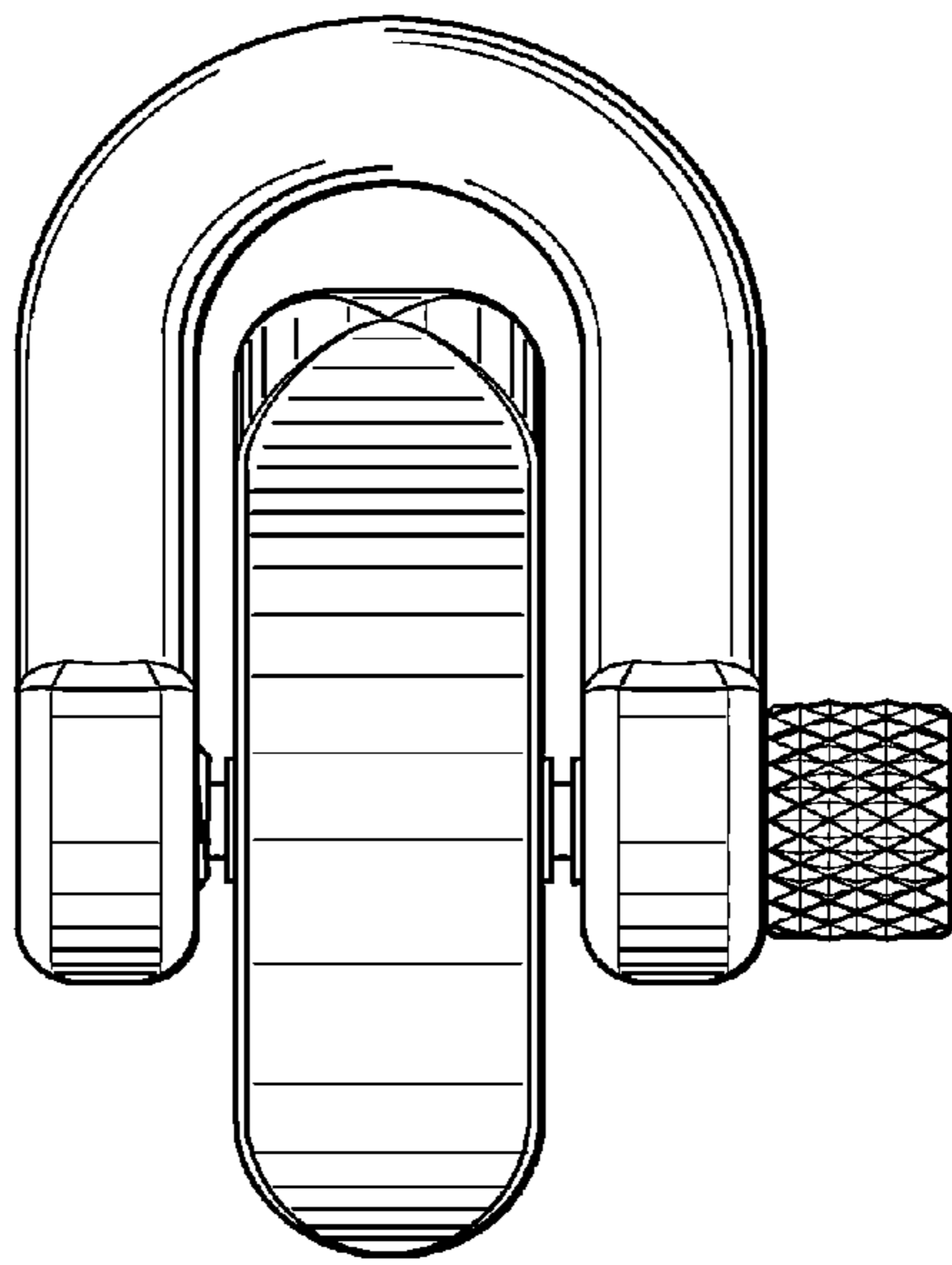


Fig. 21

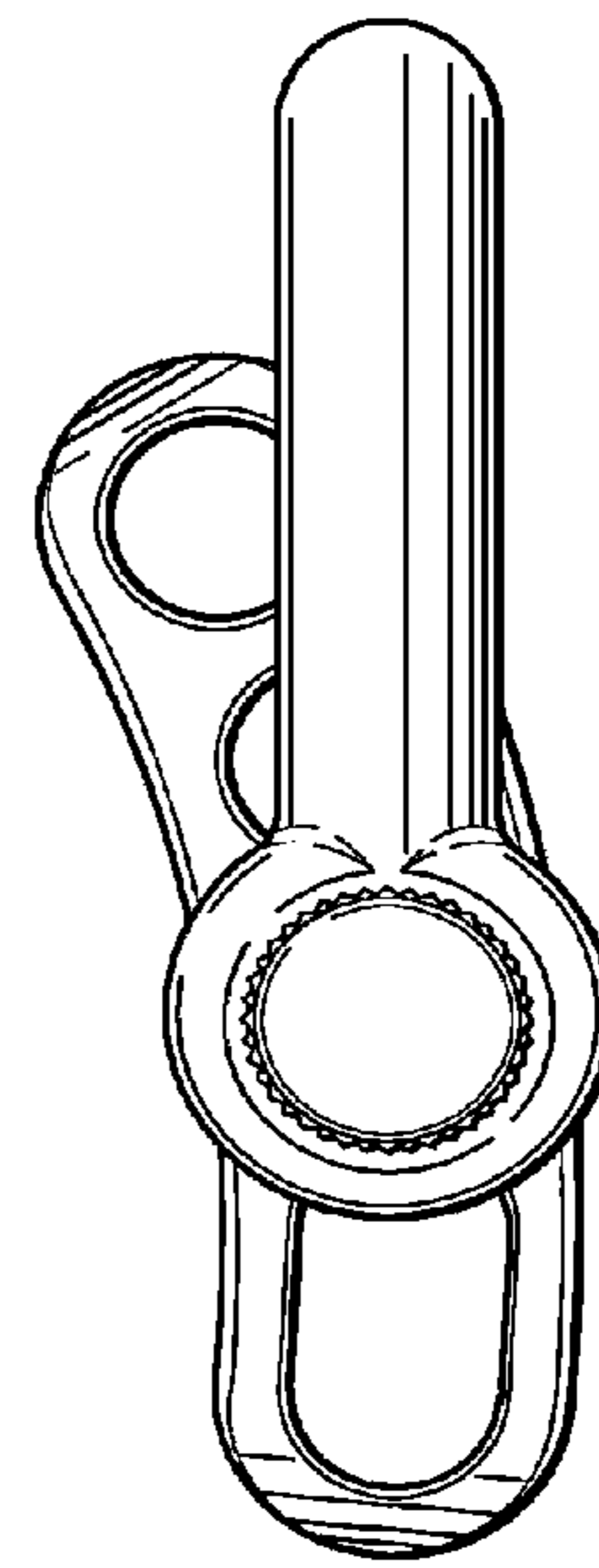




Fig. 22

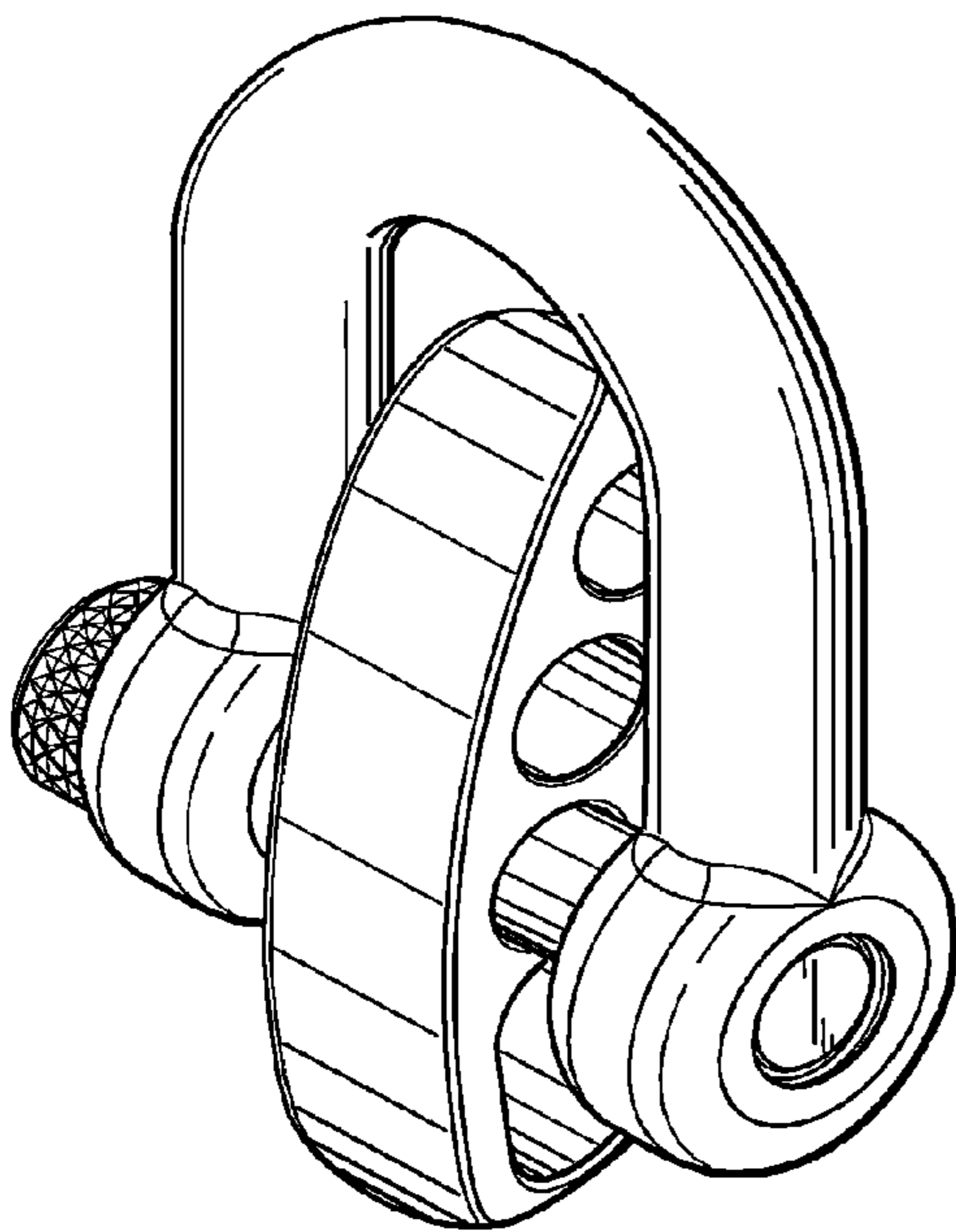


Fig. 24

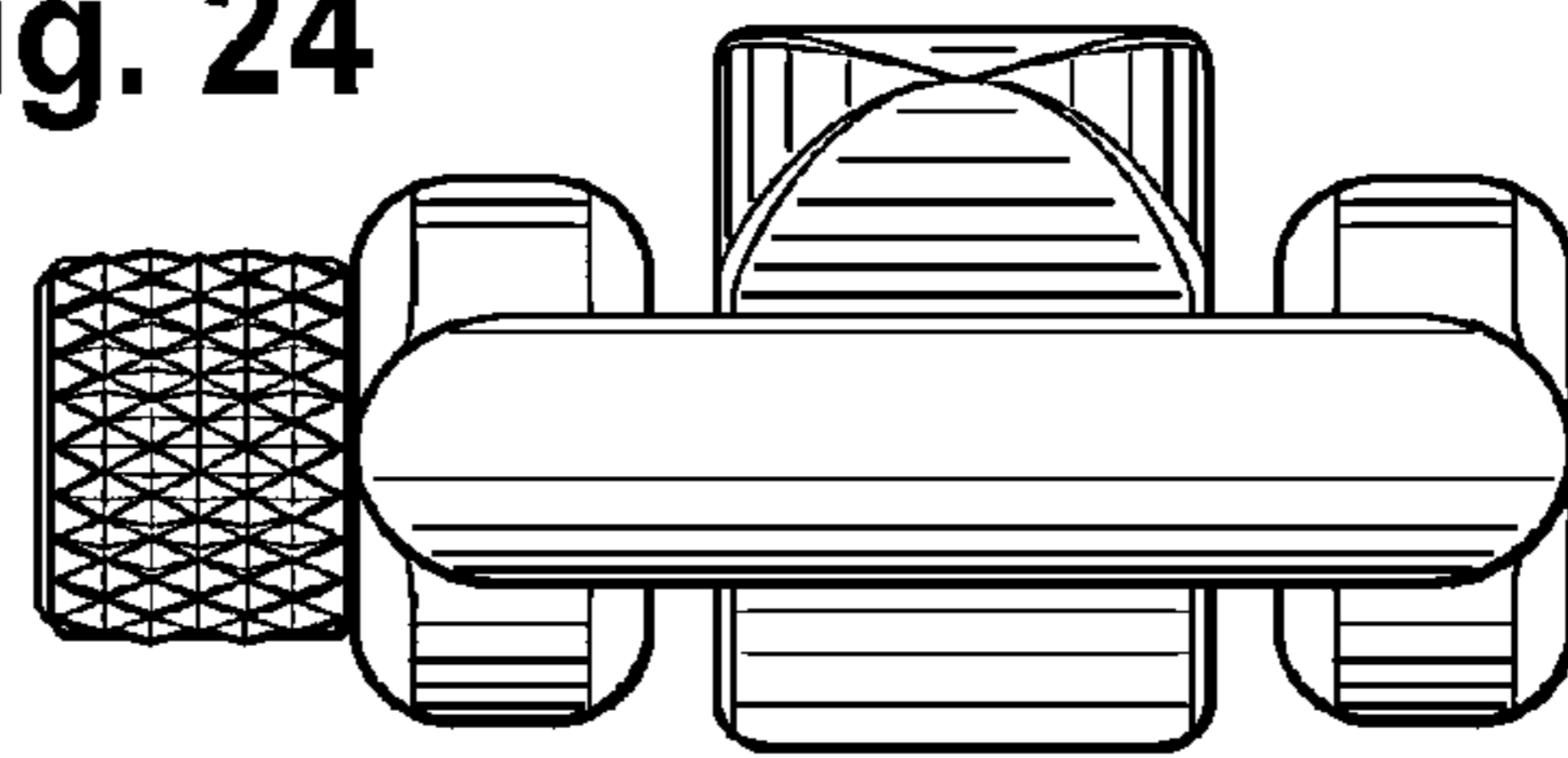


Fig. 23

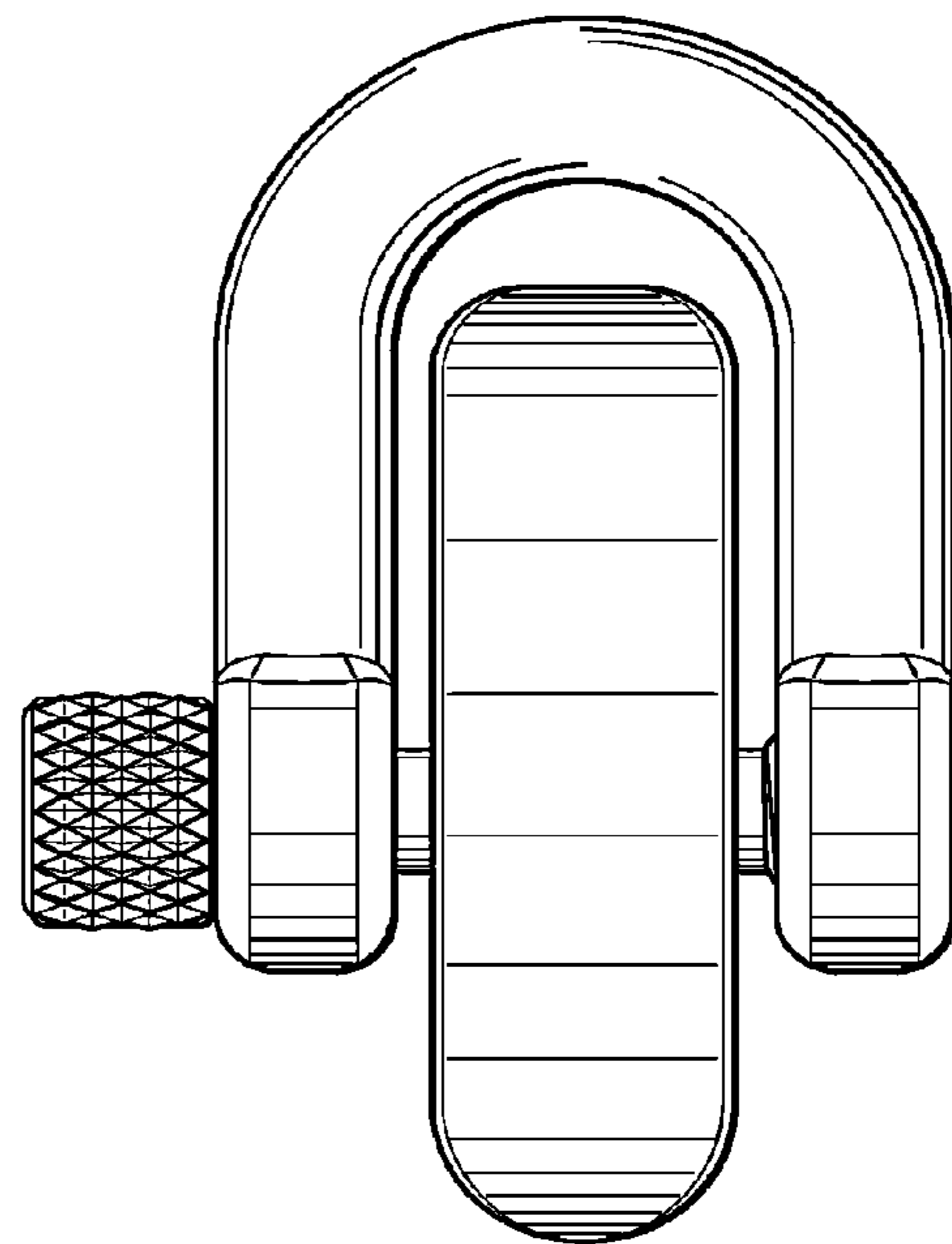


Fig. 25

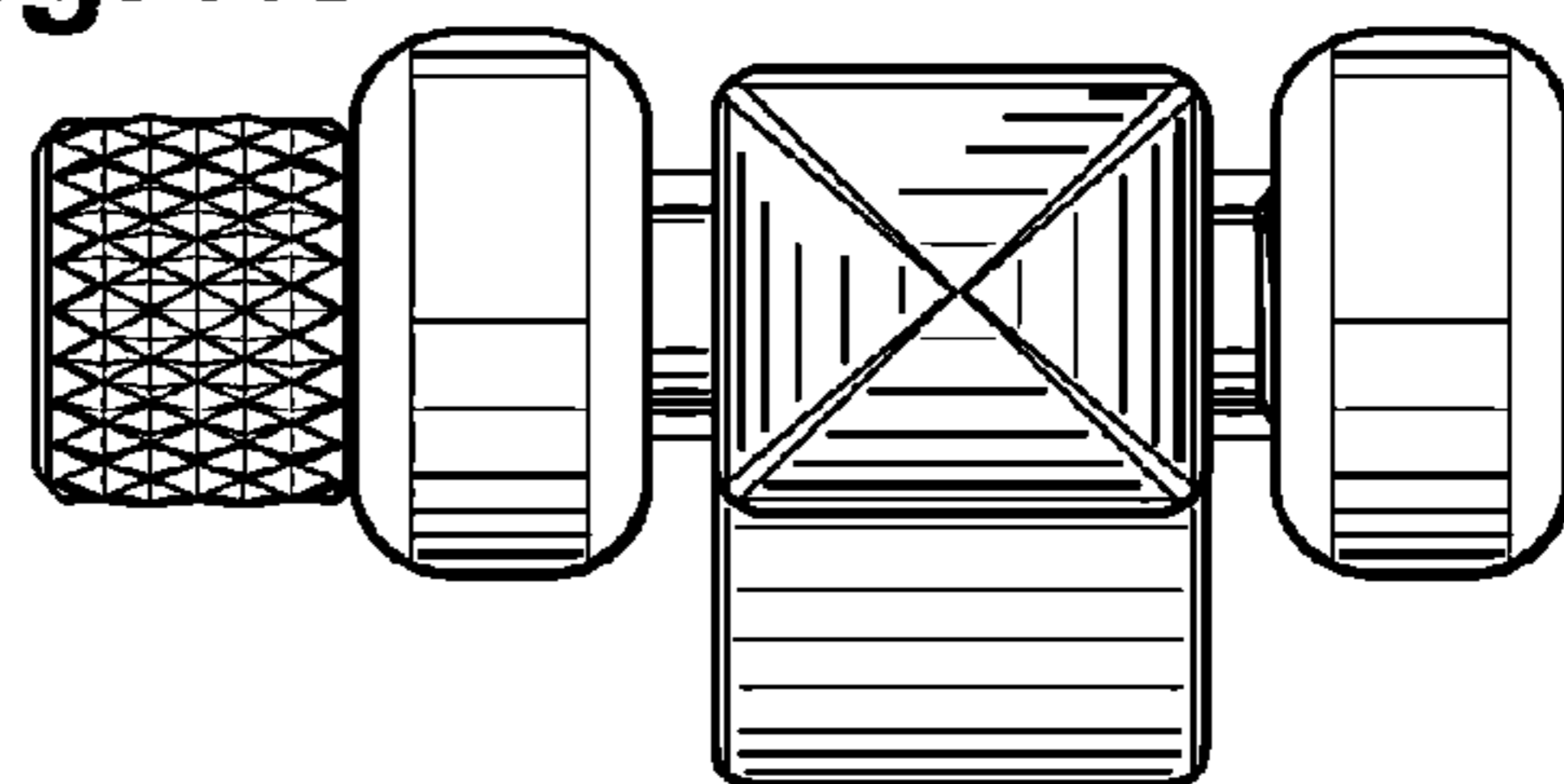


Fig. 27

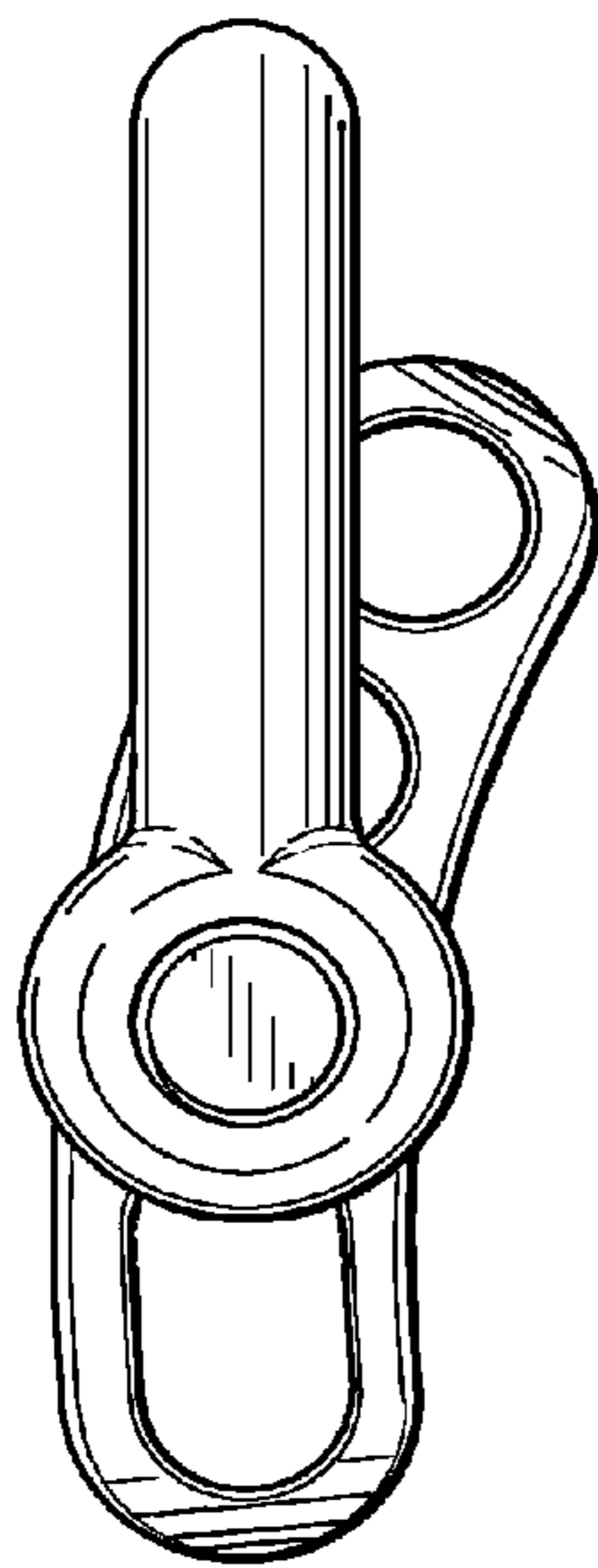


Fig. 26

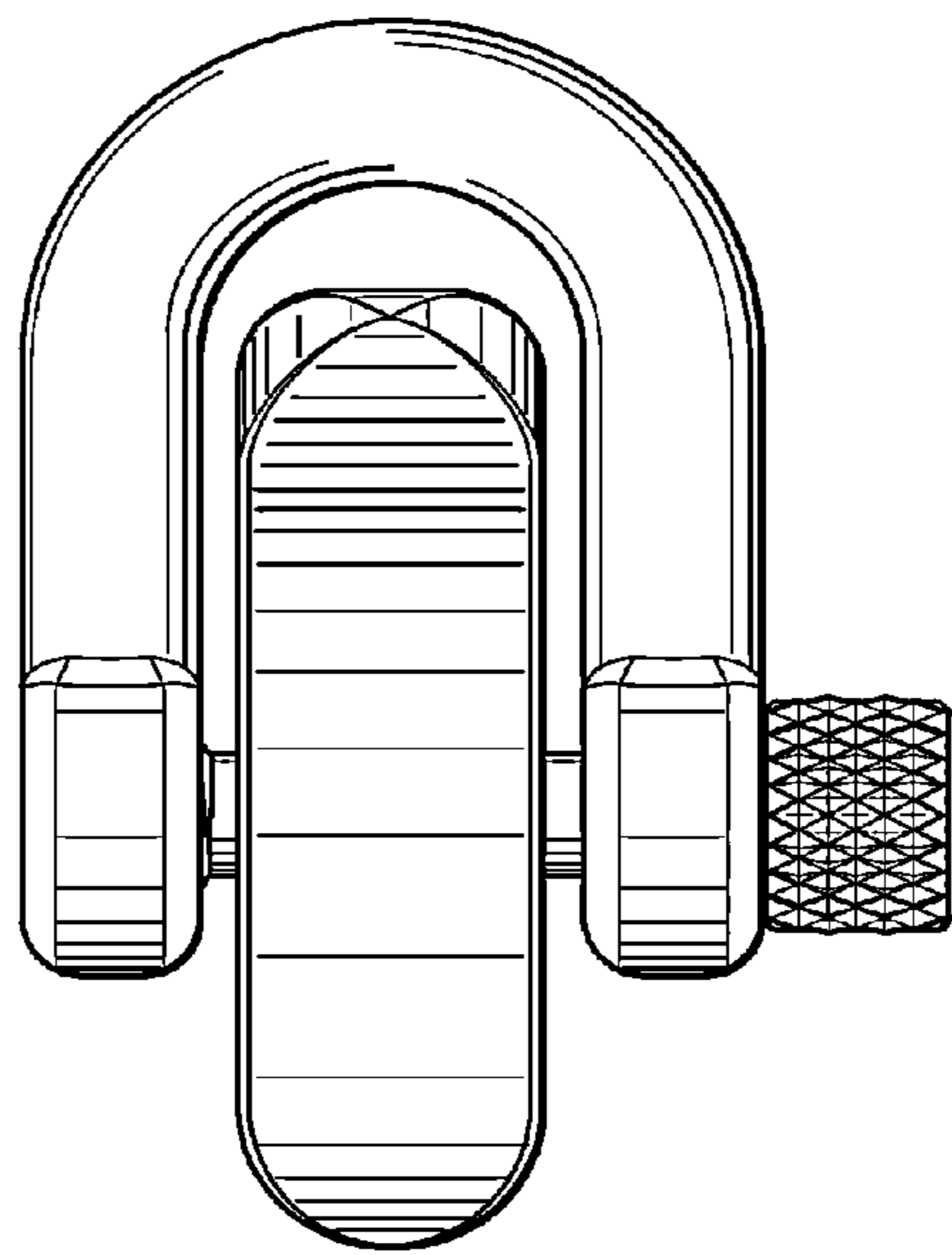


Fig. 28

