



US00D705040S

(12) **United States Design Patent**
Konrad et al.

(10) **Patent No.:** **US D705,040 S**
(45) **Date of Patent:** **** May 20, 2014**

(54) **ROLLING SHUTTER EXTERIOR COUNTER STOP BRACKET**

(75) Inventors: **Walter Martin Konrad**, Pearland, TX (US); **Stefan Andreas Poetsch**, Houston, TX (US); **Travis Lee Ewing**, League City, TX (US)

(73) Assignee: **Walter M. Konrad**, Pear Land, TX (US)

(**) Term: **14 Years**

(21) Appl. No.: **29/374,781**

(22) Filed: **Oct. 6, 2011**

(51) **LOC (10) Cl.** **08-05**

(52) **U.S. Cl.**
USPC **D8/354**

(58) **Field of Classification Search**
USPC D8/39, 354, 349, 367, 373, 71, 363, D8/380, 382; D25/119, 138, 121, 124, D25/125, 126; D34/38; 248/323, 126, 300, 248/121, 200, 217.3; 206/512, 504, 585, 206/821; 411/466, 920; 52/715, 122.1, 52/204.5, 238.1-243.1, 285.2, 394, 395, 52/578, 582.1, 584.1, 589.1; 108/53.1, 108/53.3, 53.5, 55.3, 55.1, 56.3

See application file for complete search history.

(56) **References Cited**

U.S. PATENT DOCUMENTS

3,076,627 A * 2/1963 Huron 248/309.1
3,328,078 A * 6/1967 Whitley, Jr. 297/464
D244,577 S * 6/1977 Glumac D8/363
D315,289 S * 3/1991 Rankin D8/373
D321,124 S * 10/1991 Gary D8/373
D321,125 S * 10/1991 Gary D8/373
D322,211 S * 12/1991 Gary D8/373
D327,001 S * 6/1992 Oosterhuis D8/373

D327,214 S * 6/1992 Stuart D8/373
D359,643 S * 6/1995 Langmade D6/574
D369,957 S * 5/1996 Blanton D8/373
5,897,086 A * 4/1999 Condon 248/220.1
D422,483 S * 4/2000 Shea D8/354
D422,886 S * 4/2000 Shea D8/354
D423,774 S * 5/2000 Peterson D3/229
6,095,224 A * 8/2000 Miller
D432,901 S * 10/2000 McDonald D8/354
D442,471 S * 5/2001 Willett D8/354
D463,251 S * 9/2002 Shea D8/354
D476,217 S * 6/2003 Shea D8/354
D503,231 S * 3/2005 Daugherty D24/128
D508,251 S * 8/2005 Tuccinardi et al. D16/132
D517,402 S * 3/2006 Cairns D8/381
D573,008 S * 7/2008 Sipe D8/356
D601,716 S * 10/2009 Konrad et al. D25/48.4
D602,170 S * 10/2009 Konrad et al. D25/48.4
D608,183 S * 1/2010 Meyer et al. D8/354
D617,006 S * 6/2010 Konrad D25/48.4
D631,171 S * 1/2011 Konrad D25/48.4
D647,386 S * 10/2011 Pelini D8/349
D649,016 S * 11/2011 Rasmussen D8/354
D649,661 S * 11/2011 Konrad D25/47.1
D668,379 S * 10/2012 Storey D26/138
8,584,731 B1 * 11/2013 Konrad et al. 160/235
2008/0283702 A1 * 11/2008 Ikerd 248/228.1

* cited by examiner

Primary Examiner — Mark Goodwin

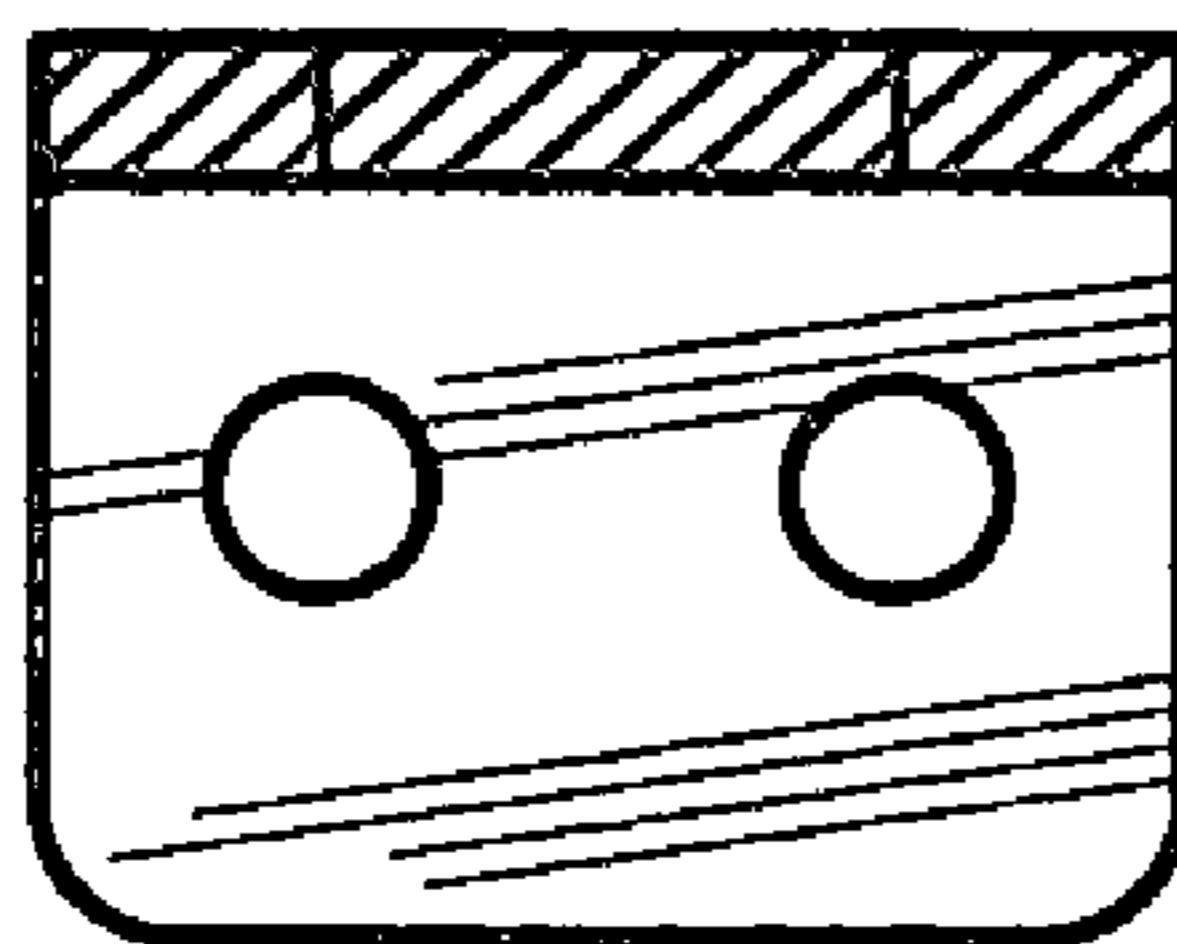
(57) **CLAIM**

The ornamental design for a rolling shutter exterior counter stop bracket, as shown and described.

DESCRIPTION

FIG. 1 is a front view of a rolling shutter exterior counter stop bracket showing our new design.
FIG. 2 is a top front side perspective view thereof; and,
FIG. 3 is a top rear side perspective view thereof.

1 Claim, 1 Drawing Sheet



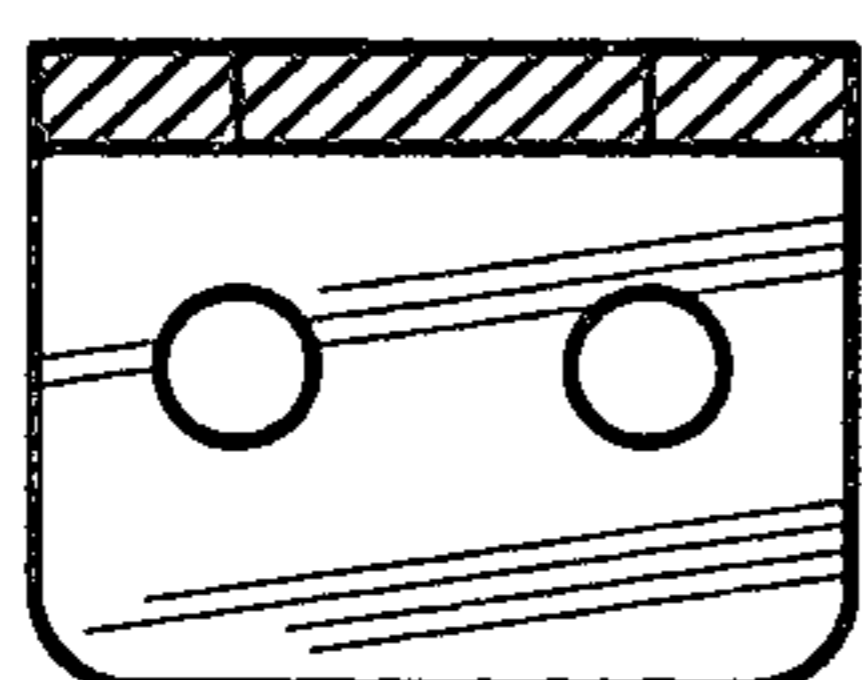


FIG 1

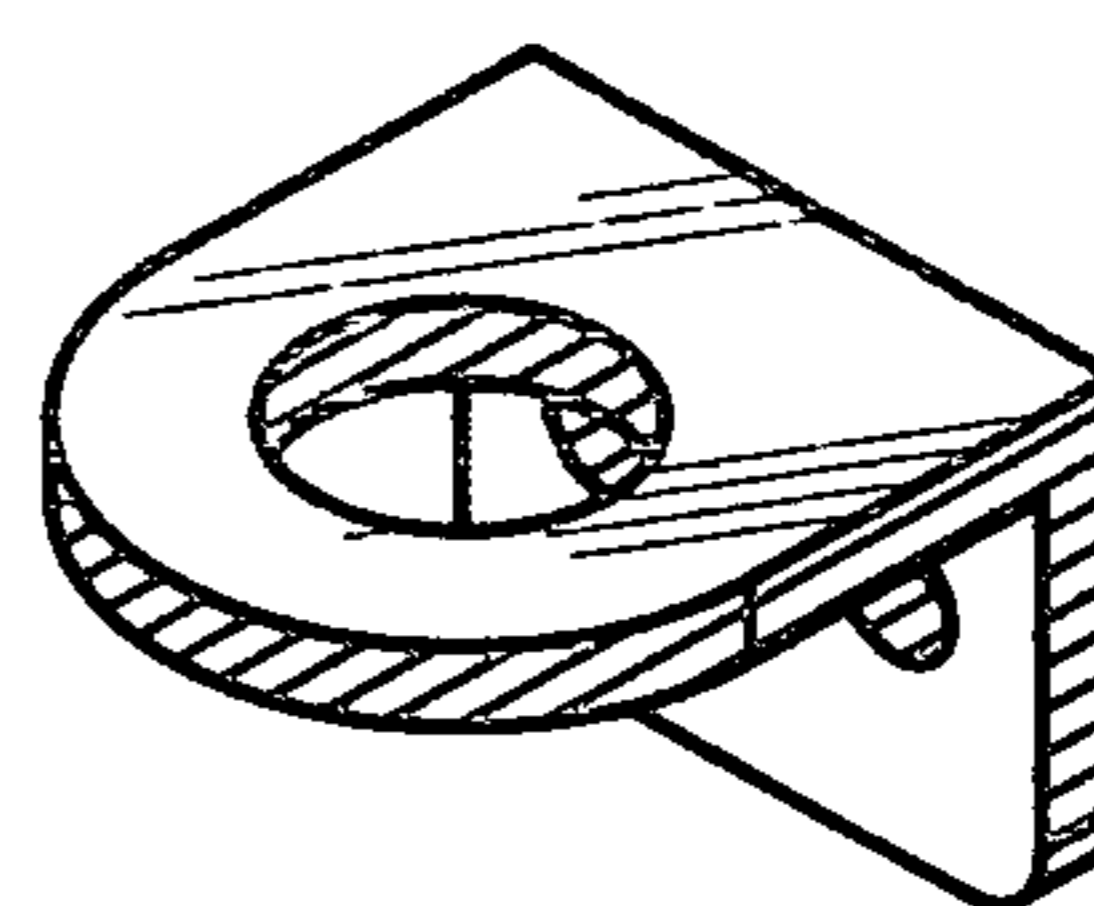


FIG 2

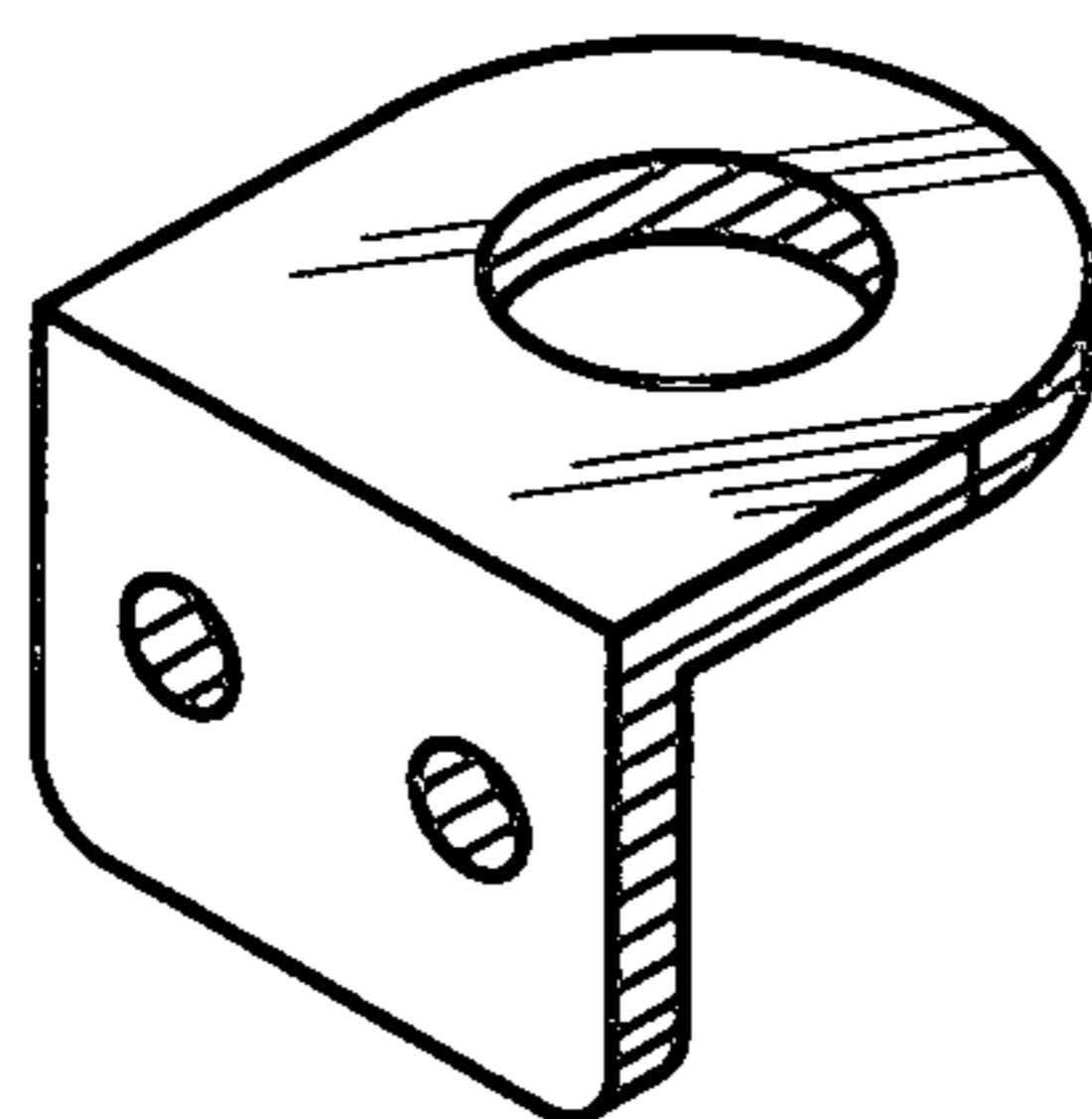


FIG 3