



US00D705039S

(12) **United States Design Patent**
Dillard

(10) **Patent No.:** **US D705,039 S**

(45) **Date of Patent:** **** May 20, 2014**

(54) **PORTABLE DOOR RESTRAINT**

(76) Inventor: **Todd B. Dillard**, Little Rock, AR (US)

(**) Term: **14 Years**

(21) Appl. No.: **29/428,688**

(22) Filed: **Aug. 2, 2012**

(51) **LOC (10) Cl.** **08-07**

(52) **U.S. Cl.**
USPC **D8/343**

(58) **Field of Classification Search**
USPC D8/330, 331, 343, 344, 346, 349, 400,
D8/402, 404, 403; 70/14, 57, 57.1, 91,
70/262, 431, 416, 465, 466, 77, 78, 80,
70/302, DIG. 65; 292/258, 288; 16/49,
16/51.52, 84, 85, 339, 340-345; 49/254,
49/240, 25, 30; 318/446, 452; 232/44, 45,
232/17, 38; D99/29, 32, 43

See application file for complete search history.

(56) **References Cited**

U.S. PATENT DOCUMENTS

2,606,409 A * 8/1952 Gordon 451/59
4,254,976 A * 3/1981 Shoberg 292/292

5,036,620 A * 8/1991 Beran et al. 49/141
D334,338 S * 3/1993 Dances D8/400
5,209,533 A * 5/1993 Menard 292/288
5,358,293 A * 10/1994 Bradley et al. 292/288
5,899,302 A * 5/1999 O'Donnell 187/314
D418,038 S * 12/1999 Scott D8/330
8,161,704 B2 * 4/2012 Seitner 52/411
8,225,458 B1 * 7/2012 Hoffberg 16/49

* cited by examiner

Primary Examiner — Prabhakar Deshmukh

(74) *Attorney, Agent, or Firm* — Joe D. Calhoun

(57) **CLAIM**

The ornamental design for a portable door restraint, as shown and described.

DESCRIPTION

FIG. 1 is a perspective view of a portable door restraint showing my new design.

FIG. 2 is a top plan view thereof.

FIG. 3 is a bottom plan view thereof.

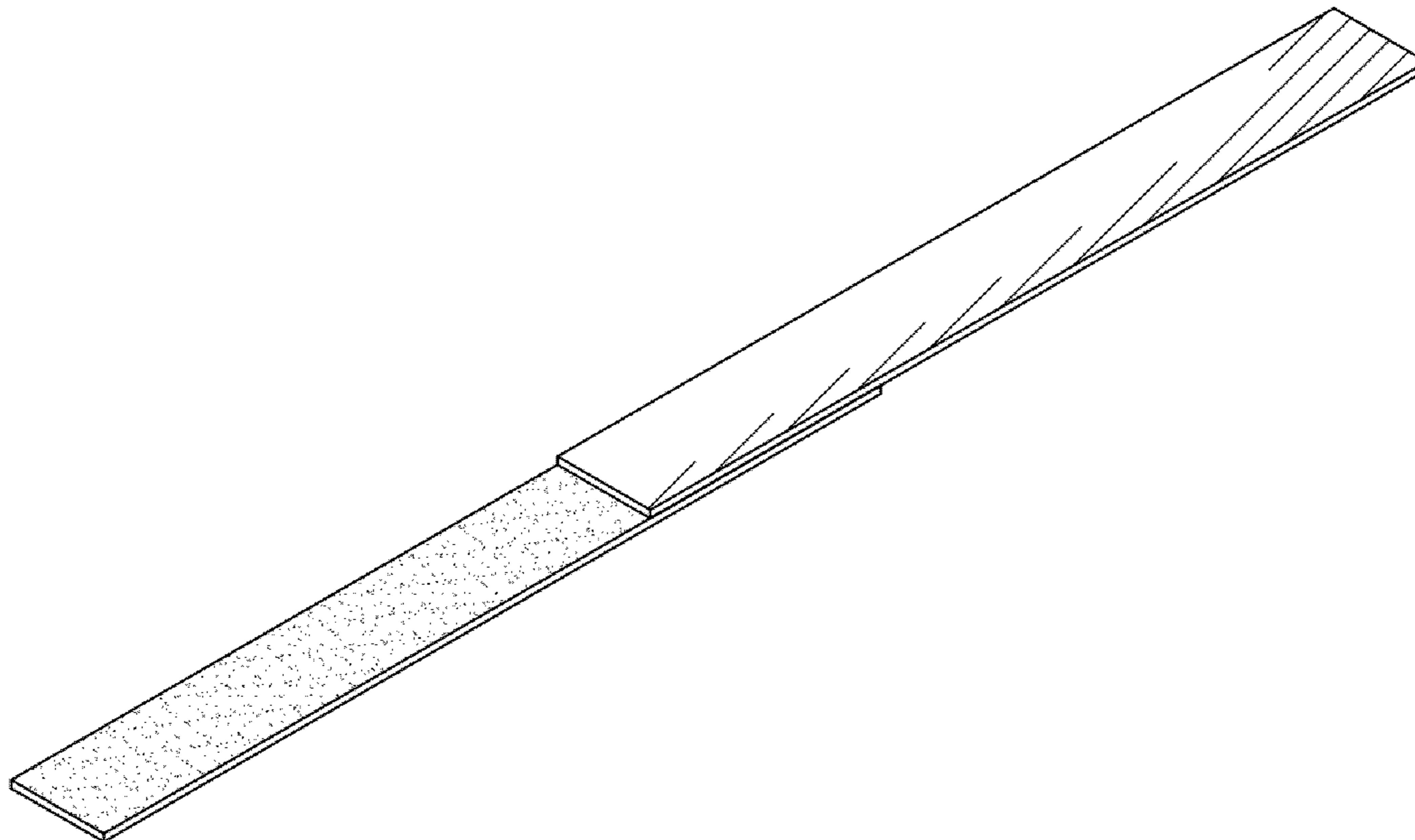
FIG. 4 is a left side elevation view thereof.

FIG. 5 is a right side elevation view thereof.

FIG. 6 is a front elevation view thereof; and,

FIG. 7 is a rear elevation view thereof.

1 Claim, 2 Drawing Sheets



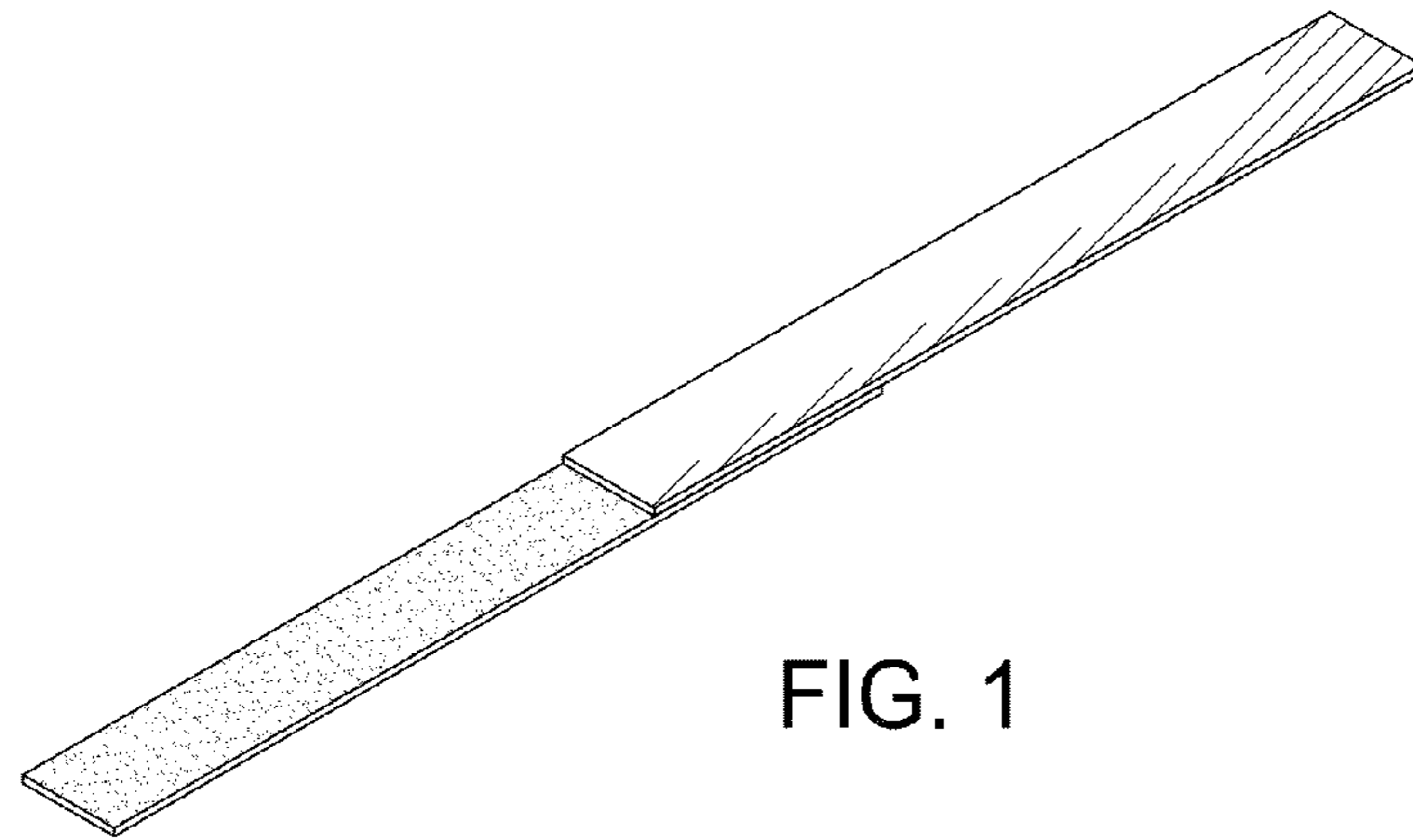


FIG. 1

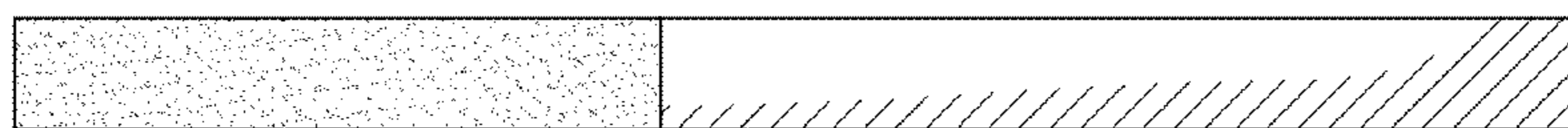


FIG. 2

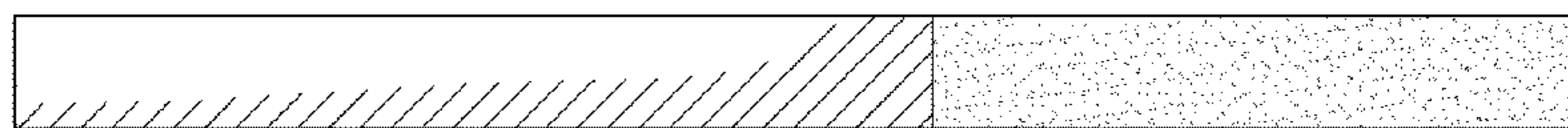


FIG. 3

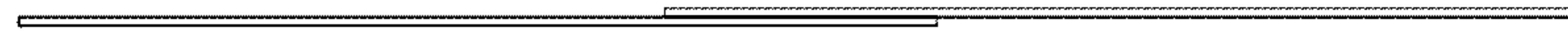


FIG. 4



FIG. 5

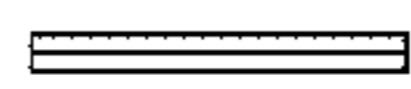


FIG. 6

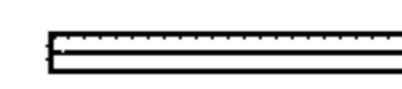


FIG. 7