



US00D705037S

(12) **United States Design Patent**
Yang et al.

(10) **Patent No.:** **US D705,037 S**

(45) **Date of Patent:** **** May 20, 2014**

(54) **EXTERIOR DEADBOLT**

(71) Applicant: **Tong Lung Metal Industry Co., Ltd.,**
Chiayi (TW)

(72) Inventors: **Suh-You Yang,** Chiayi (TW); **Yu-Ting**
Huang, Chiayi (TW); **Shih-Kai Hsu,**
Chiayi (TW)

(73) Assignee: **Tong Lung Metal Industry Co., Ltd.,**
Chiayi (TW)

(**) Term: **14 Years**

(21) Appl. No.: **29/434,086**

(22) Filed: **Oct. 9, 2012**

(30) **Foreign Application Priority Data**

Apr. 10, 2012 (TW) 101301959

(51) **LOC (10) Cl.** **08-07**

(52) **U.S. Cl.**
USPC **D8/331; D8/343**

(58) **Field of Classification Search**
USPC D8/330, 331, 334, 300, 301, 302, 350;
70/14, 20-22, 57, 57.1, 284-286, 314,
70/DIG. 44

See application file for complete search history.

(56) **References Cited**

U.S. PATENT DOCUMENTS

5,475,996	A *	12/1995	Chen	70/279.1
D579,312	S *	10/2008	Veltz	D8/330
D588,439	S *	3/2009	Lin et al.	D8/350
D624,389	S *	9/2010	Stevens et al.	D8/331
D630,929	S *	1/2011	Downey	D8/331
D631,323	S *	1/2011	Stevens et al.	D8/331
D637,472	S *	5/2011	Singtoroj et al.	D8/330
7,990,286	B2 *	8/2011	Shankwitz et al.	340/988
8,210,581	B2 *	7/2012	Cramer	292/354
D682,658	S *	5/2013	Cramer et al.	D8/331

* cited by examiner

Primary Examiner — Prabhakar Deshmukh
(74) *Attorney, Agent, or Firm* — Chun-Ming Shih

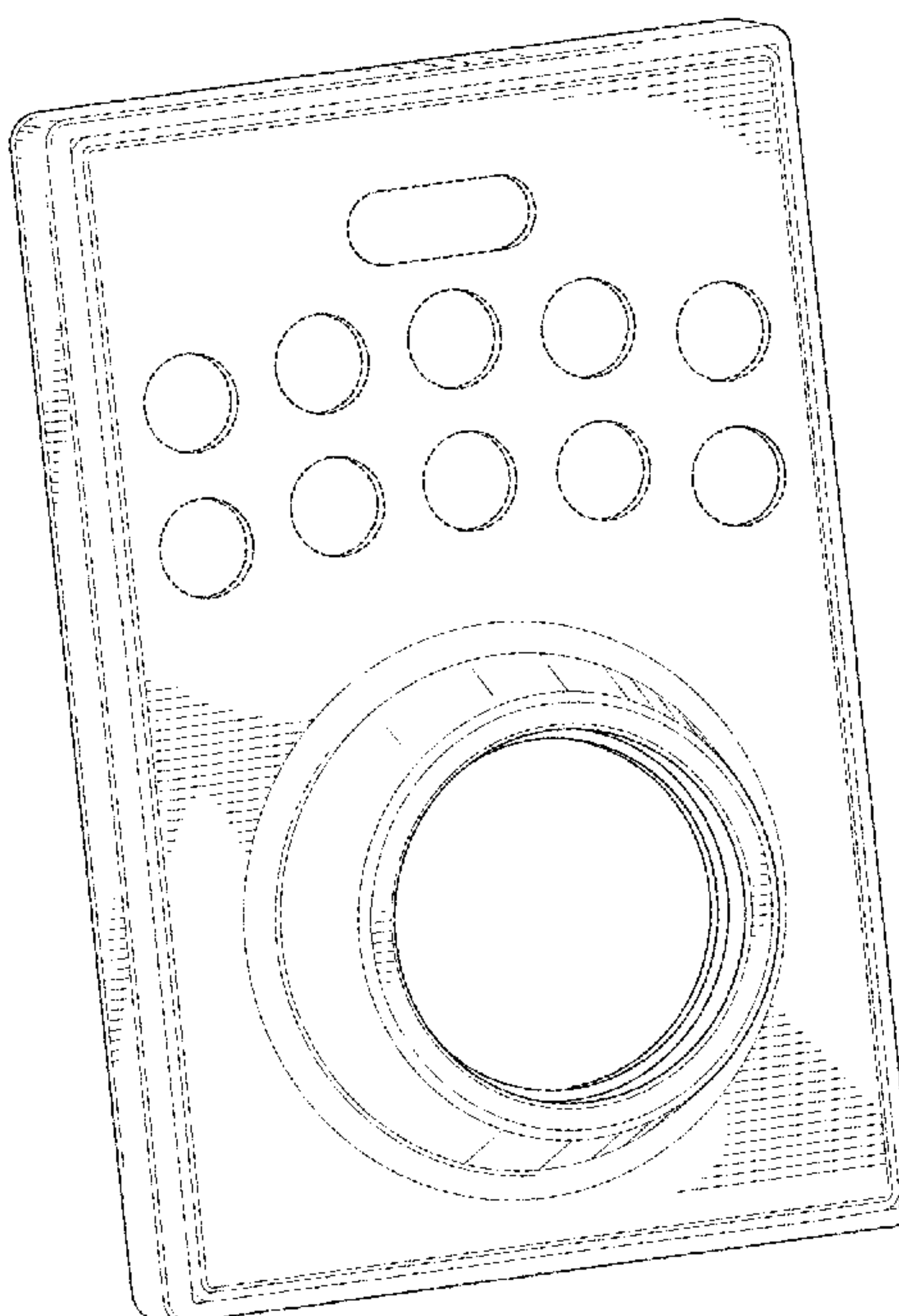
(57) **CLAIM**

The ornamental design for an exterior deadbolt, as shown and described.

DESCRIPTION

FIG. 1 is a perspective view of an exterior deadbolt showing our new design;
FIG. 2 is a front elevational view thereof;
FIG. 3 is a top plan view thereof;
FIG. 4 is a bottom plan view thereof;
FIG. 5 is a left side elevational view thereof; and
FIG. 6 is a right side elevational view thereof; and,
FIG. 7 is a perspective view of a second embodiment of the present designed invention.
The rear view is not part of the claimed design. The broken line showing is for illustrative purposes only any forms no part of the claimed design.

1 Claim, 5 Drawing Sheets



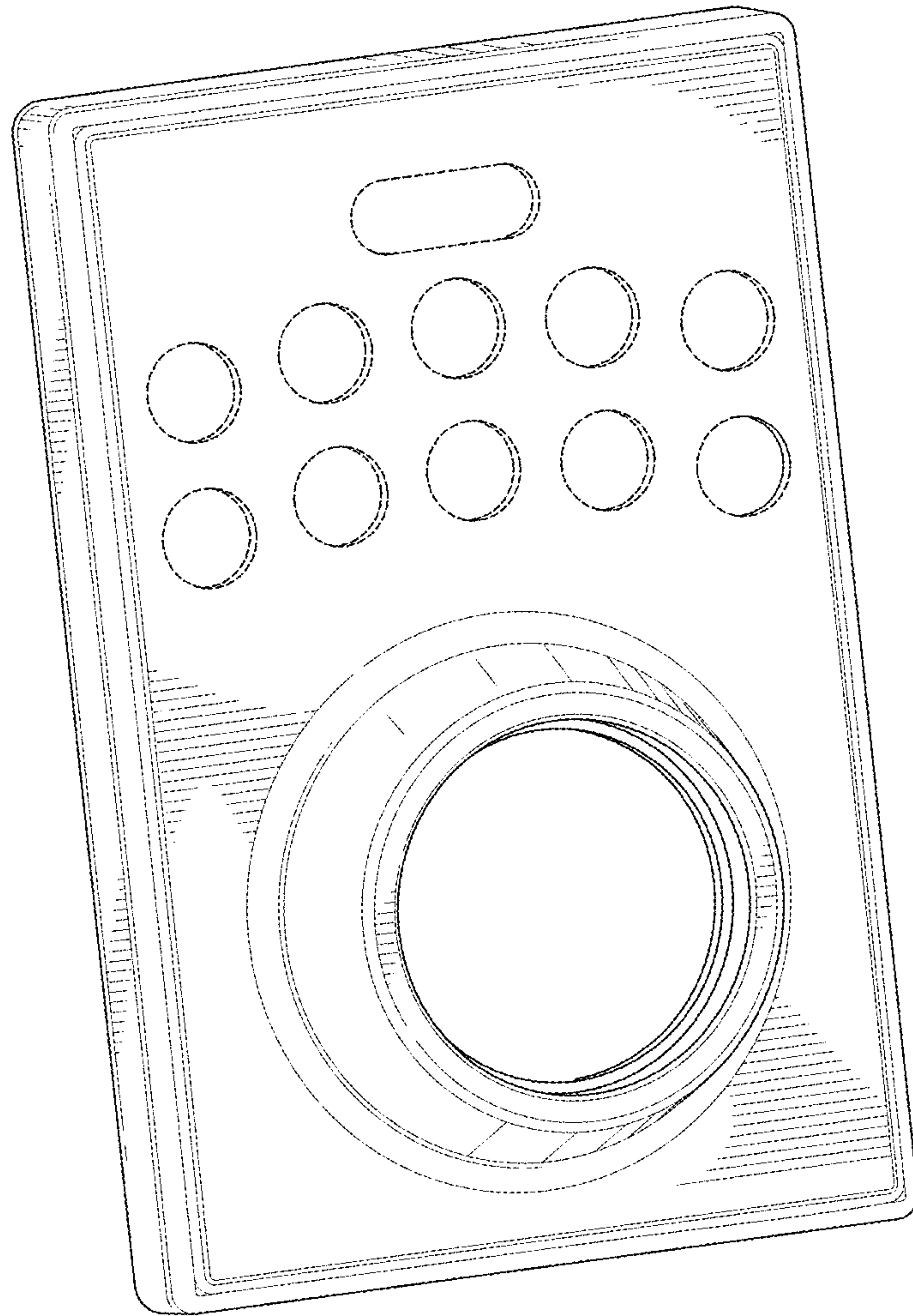


FIG. 1

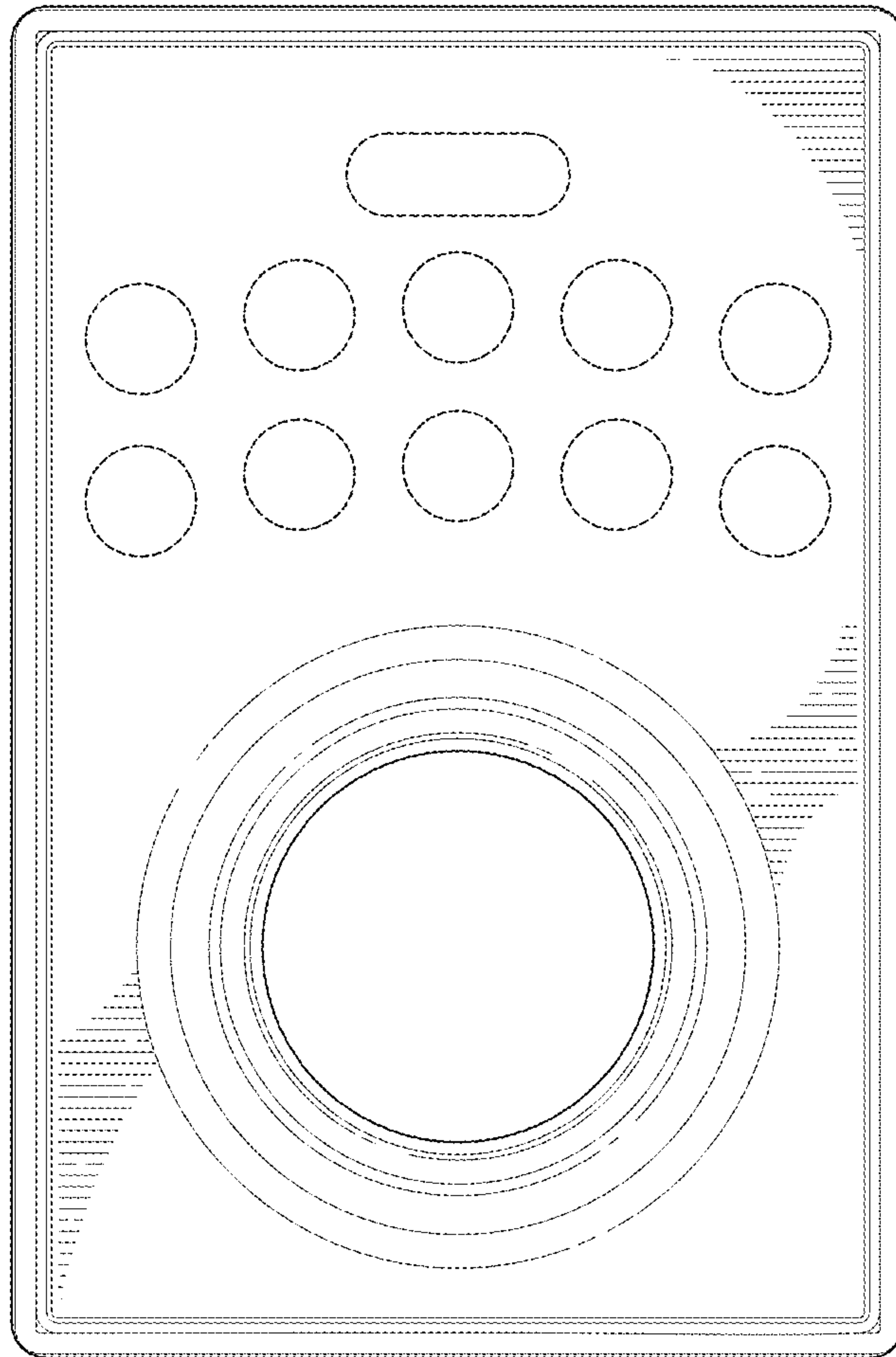


FIG. 2

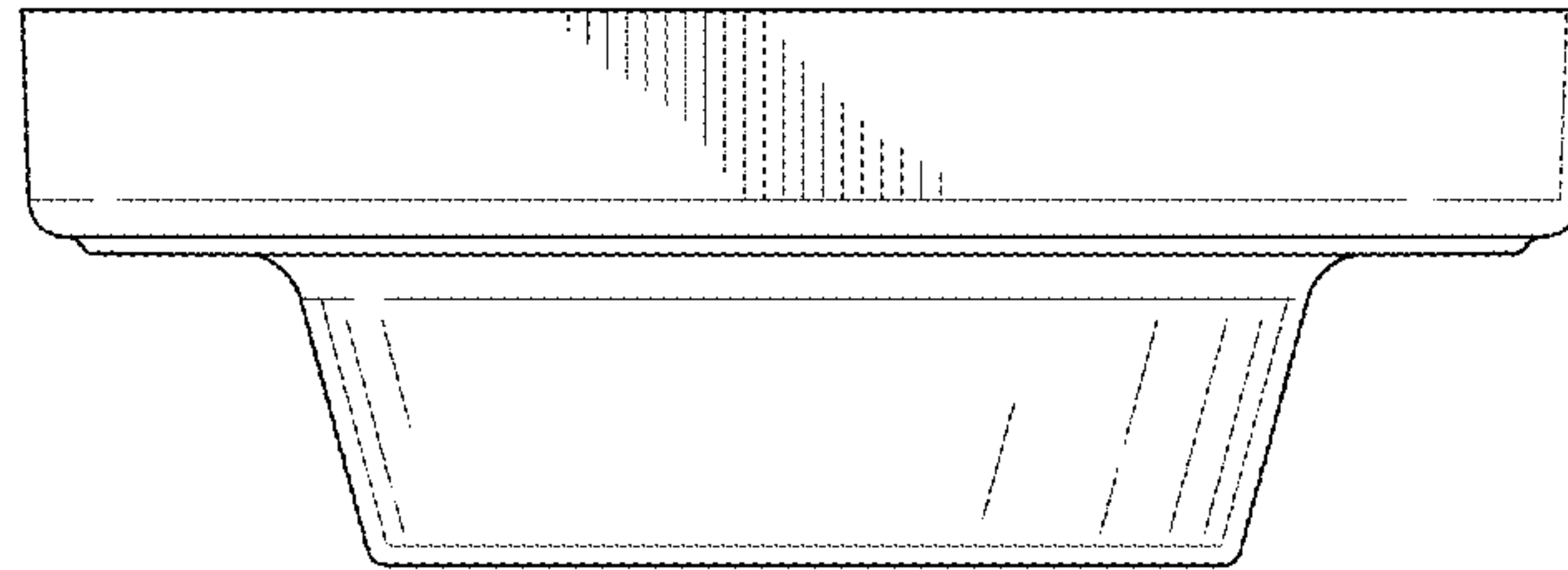


FIG. 3

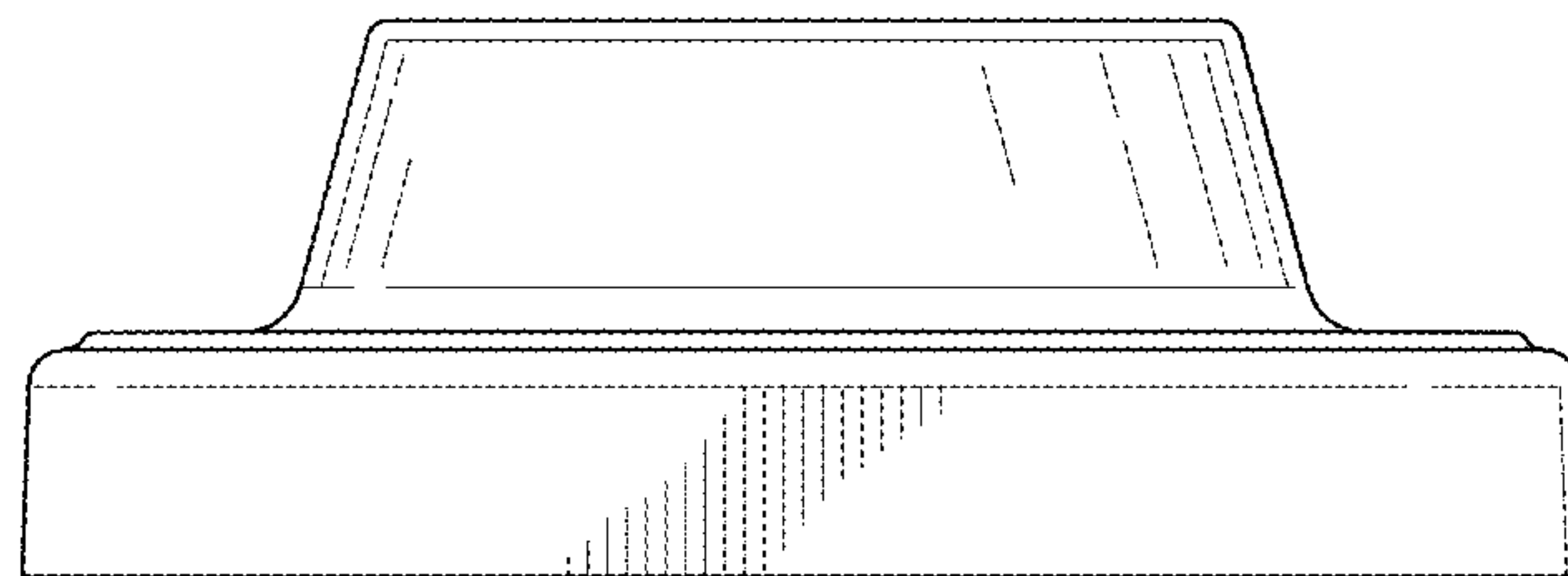


FIG. 4

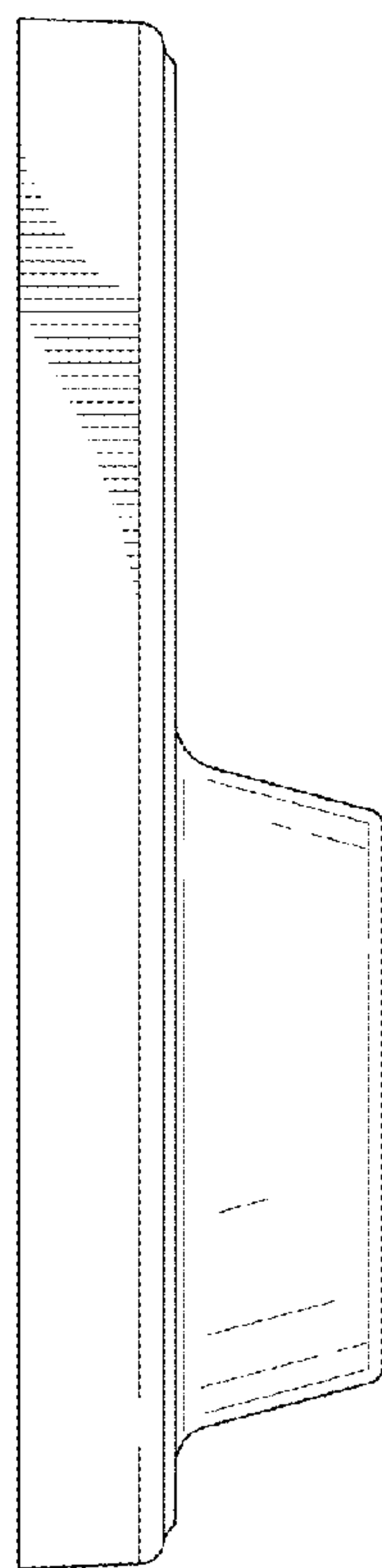


FIG. 5

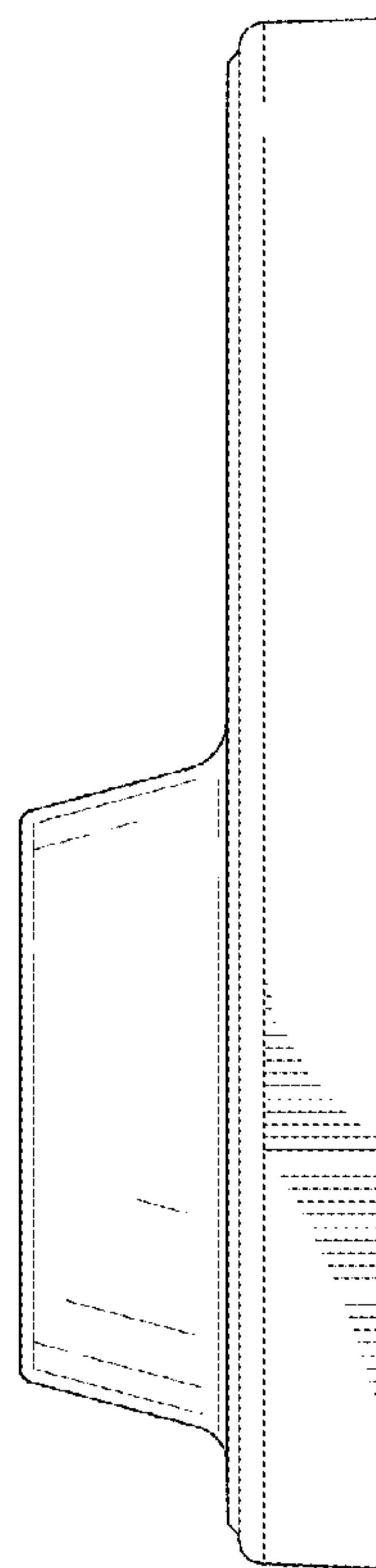


FIG. 6

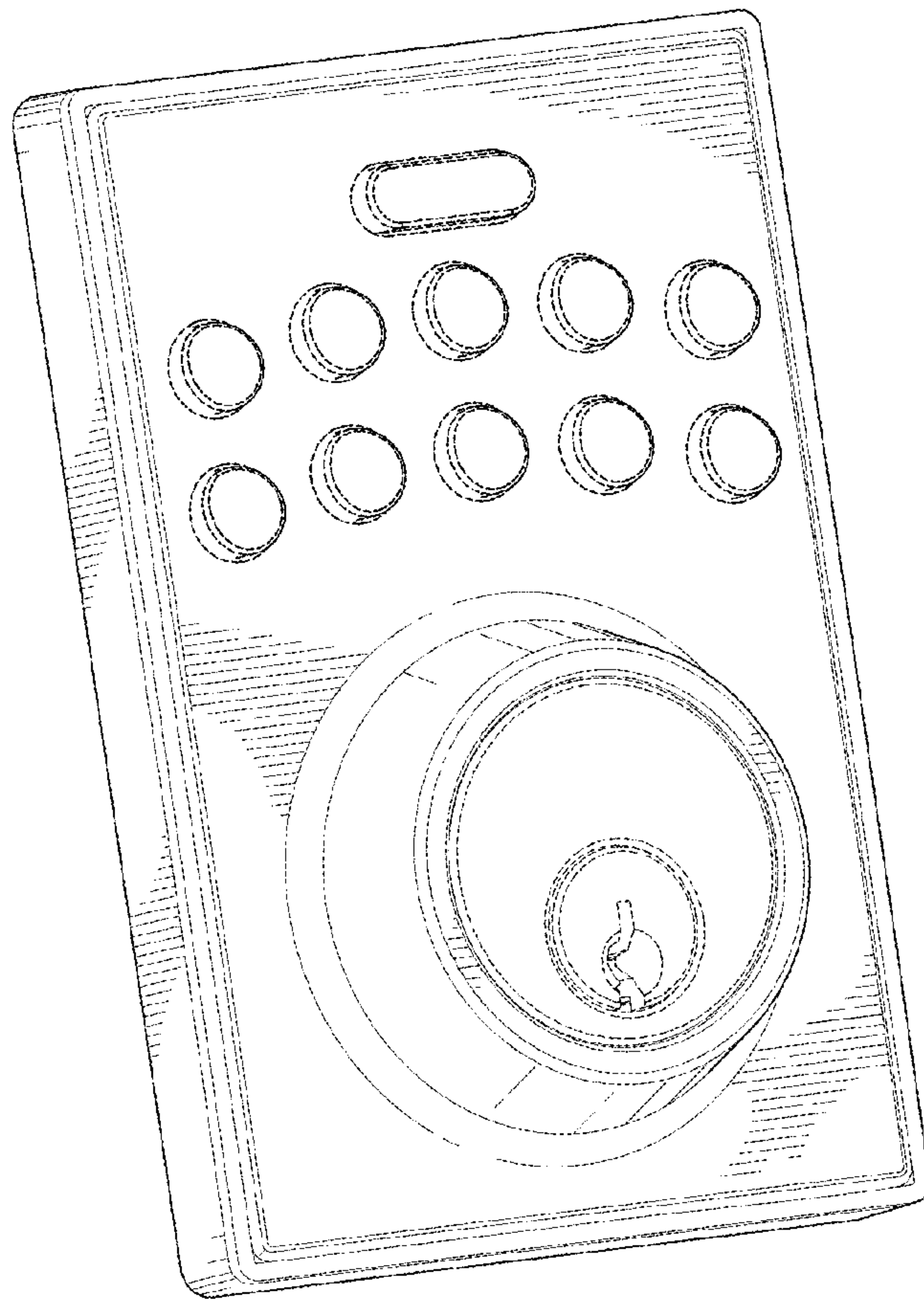


FIG. 7