



US00D705036S

(12) **United States Design Patent**  
**Koyama et al.**

(10) **Patent No.:** **US D705,036 S**

(45) **Date of Patent:** **\*\* May 20, 2014**

(54) **TOILET UNIT**

(71) Applicant: **The Yokohama Rubber Co., Ltd.**,  
Tokyo (JP)

(72) Inventors: **Takashi Koyama**, Kanagawa (JP);  
**Masayuki Fushimi**, Tokyo (JP)

(73) Assignee: **The Yokohama Rubber Co., Ltd.** (JP)

(\*\*) Term: **14 Years**

(21) Appl. No.: **29/445,082**

(22) Filed: **Feb. 7, 2013**

(30) **Foreign Application Priority Data**

Aug. 7, 2012 (JP) ..... 2012-018955

(51) **LOC (10) Cl.** ..... **08-06**

(52) **U.S. Cl.**  
USPC ..... **D8/317**

(58) **Field of Classification Search**  
USPC ..... D23/270–271, 274; D8/313, 314, 317,  
D8/321; D12/345, 40, 43; 244/119–120,  
244/117 R; D25/48.3, 48.4, 16  
See application file for complete search history.

(56) **References Cited**

**U.S. PATENT DOCUMENTS**

D116,497 S \* 9/1939 Lingard ..... D8/317  
D128,774 S \* 8/1941 de Vries ..... D8/313

D198,201 S \* 5/1964 Clayton ..... D8/317  
D211,780 S \* 7/1968 Morgan ..... D8/317  
D391,468 S \* 3/1998 Doxey et al. .... D8/313  
D402,528 S \* 12/1998 Brucker ..... D8/313  
D460,677 S \* 7/2002 Proot et al. .... D8/317  
D578,370 S \* 10/2008 Samhammer et al. .... D8/313  
D624,483 S \* 9/2010 Schuephaus et al. .... D12/345  
D640,910 S \* 7/2011 McDonald ..... D8/313

\* cited by examiner

*Primary Examiner* — Robert Delehanty

(74) *Attorney, Agent, or Firm* — Banner & Witcoff, Ltd.

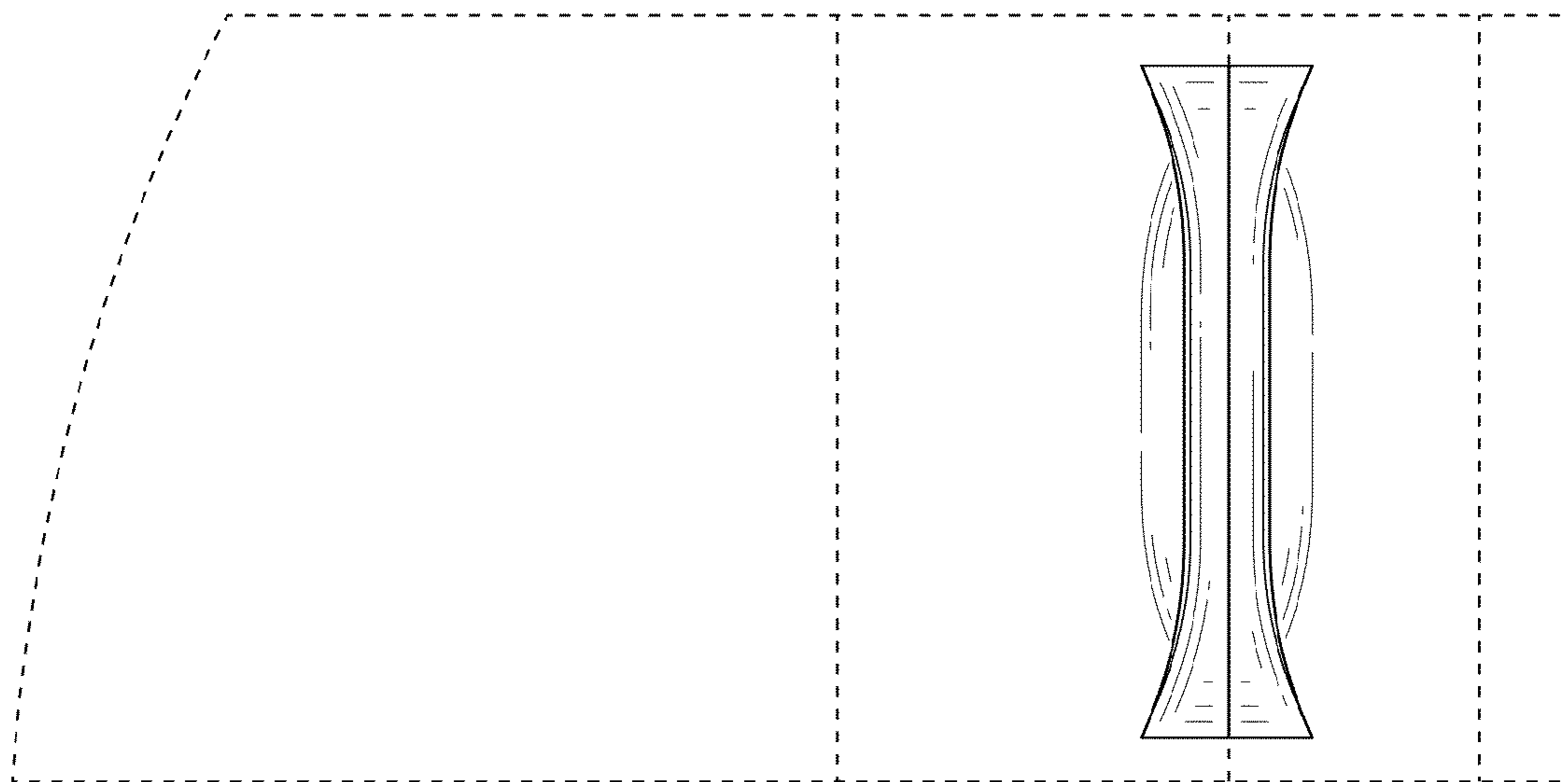
(57) **CLAIM**

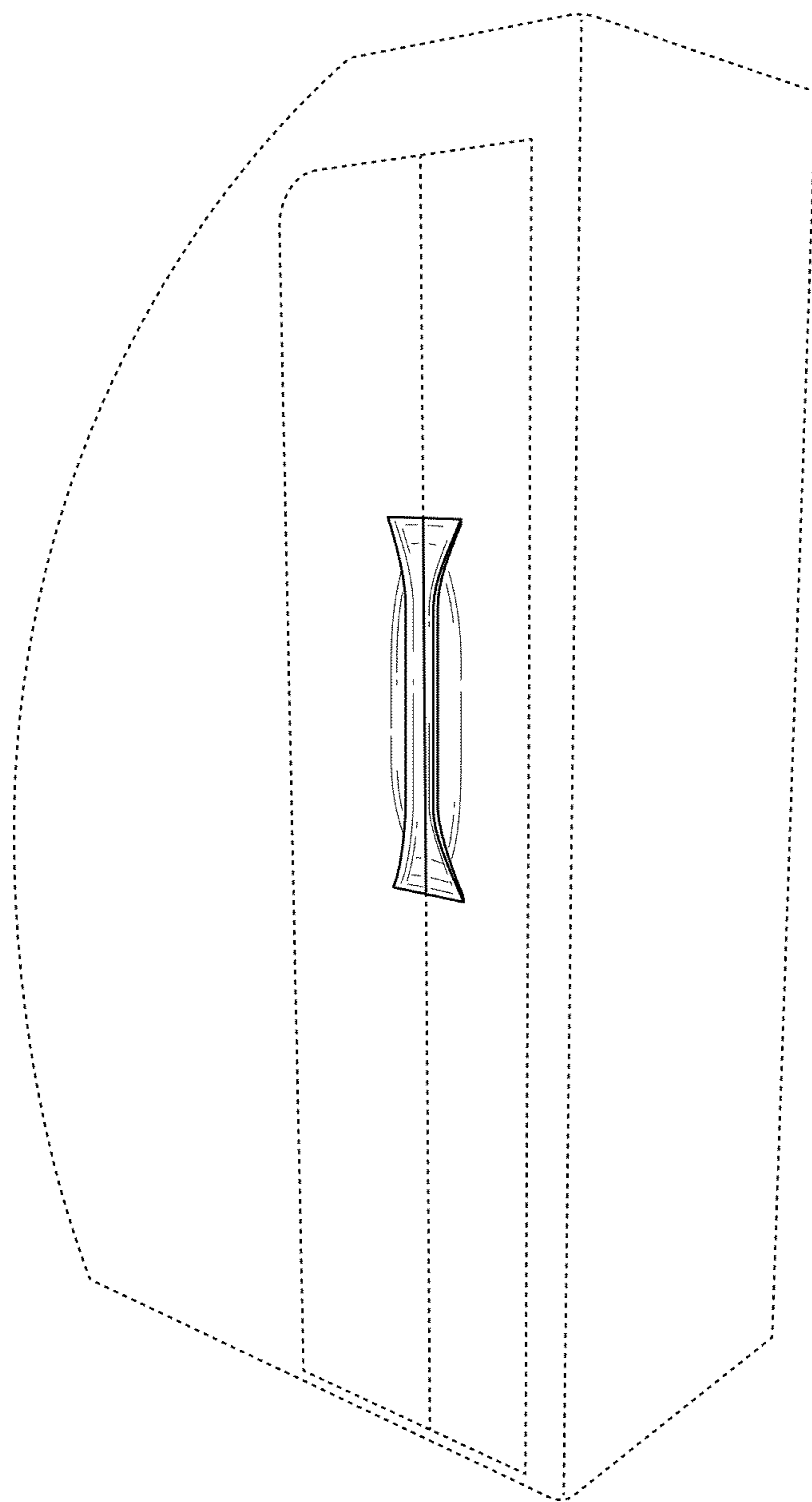
The ornamental design for a toilet unit, as shown and described.

**DESCRIPTION**

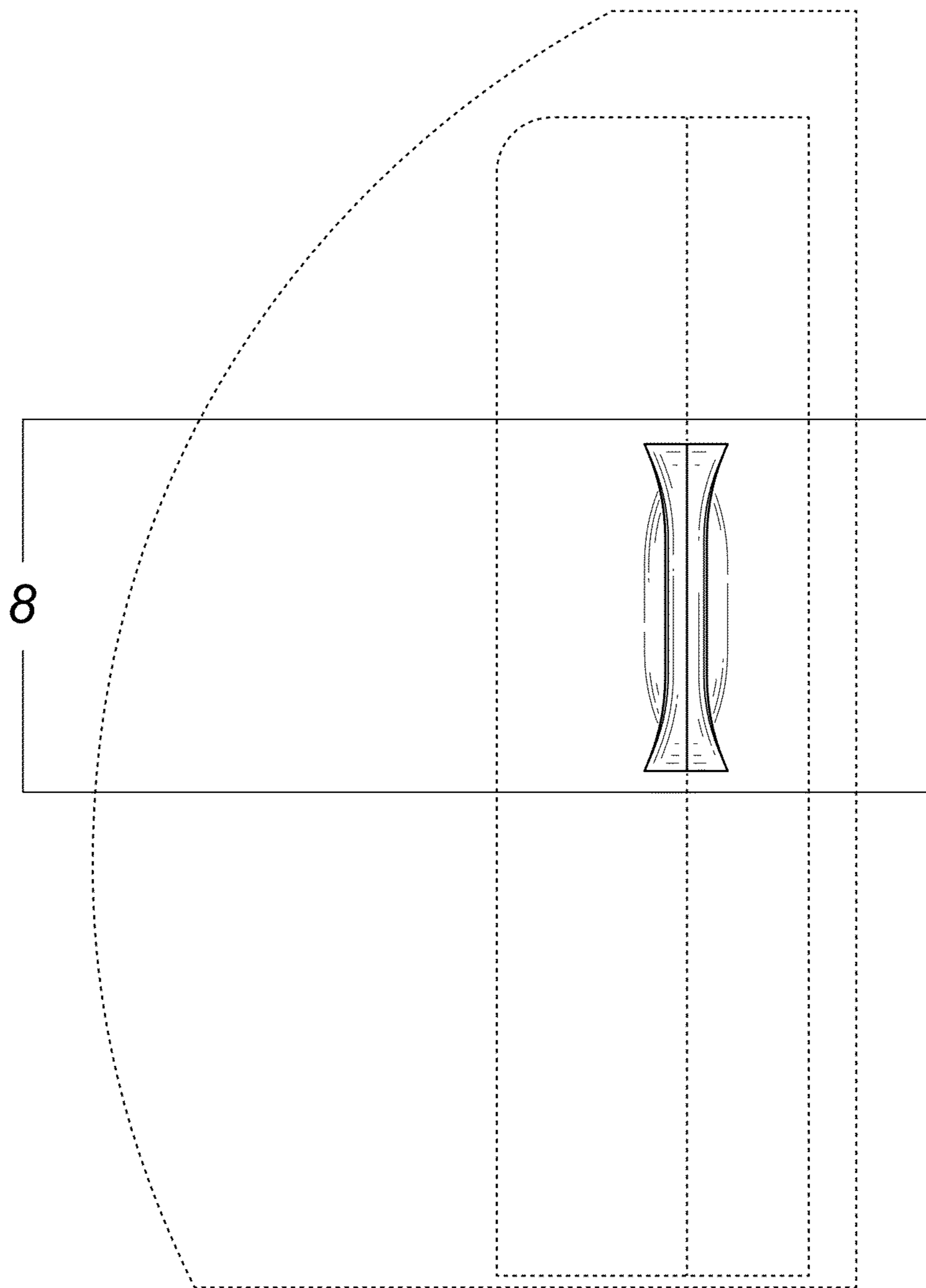
FIG. 1 is a perspective view of front and right side of a toilet unit showing our new design;  
FIG. 2 is a front view thereof;  
FIG. 3 is a rear view thereof;  
FIG. 4 is a left side view thereof;  
FIG. 5 is a right side view thereof;  
FIG. 6 is a top view thereof;  
FIG. 7 is a bottom view thereof; and,  
FIG. 8 is an enlarged view at square portion of FIG. 2 thereof.  
The portions of the article in broken lines are shown for illustrative purposes only and form no part of the claimed design.

**1 Claim, 6 Drawing Sheets**

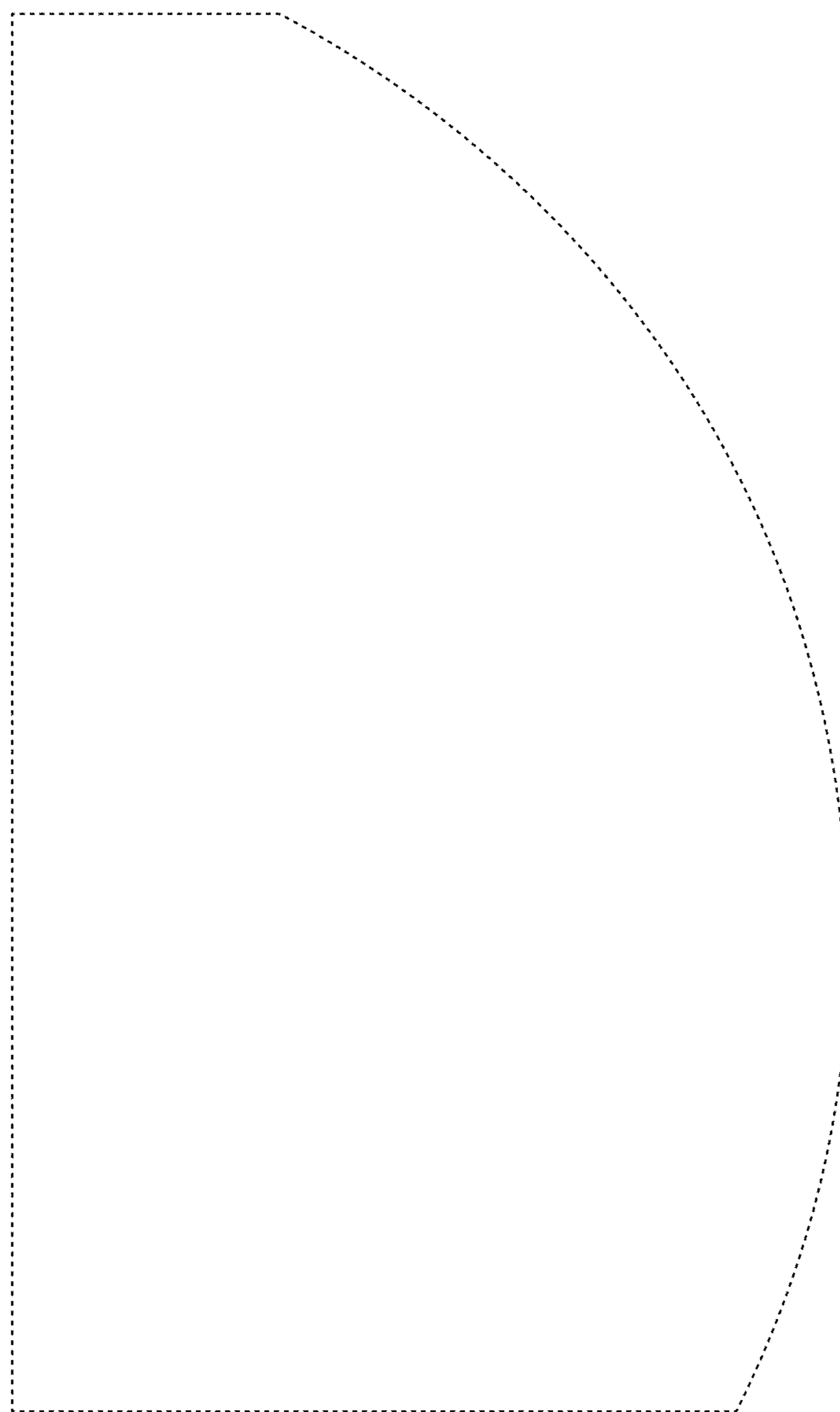




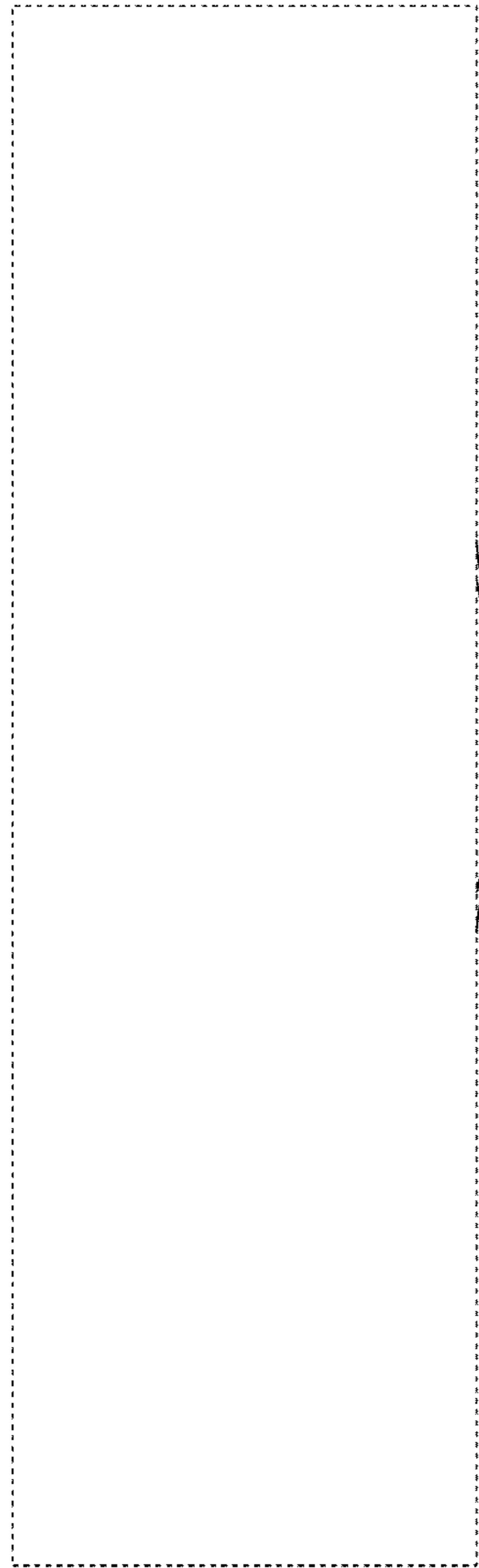
**FIG. 1**



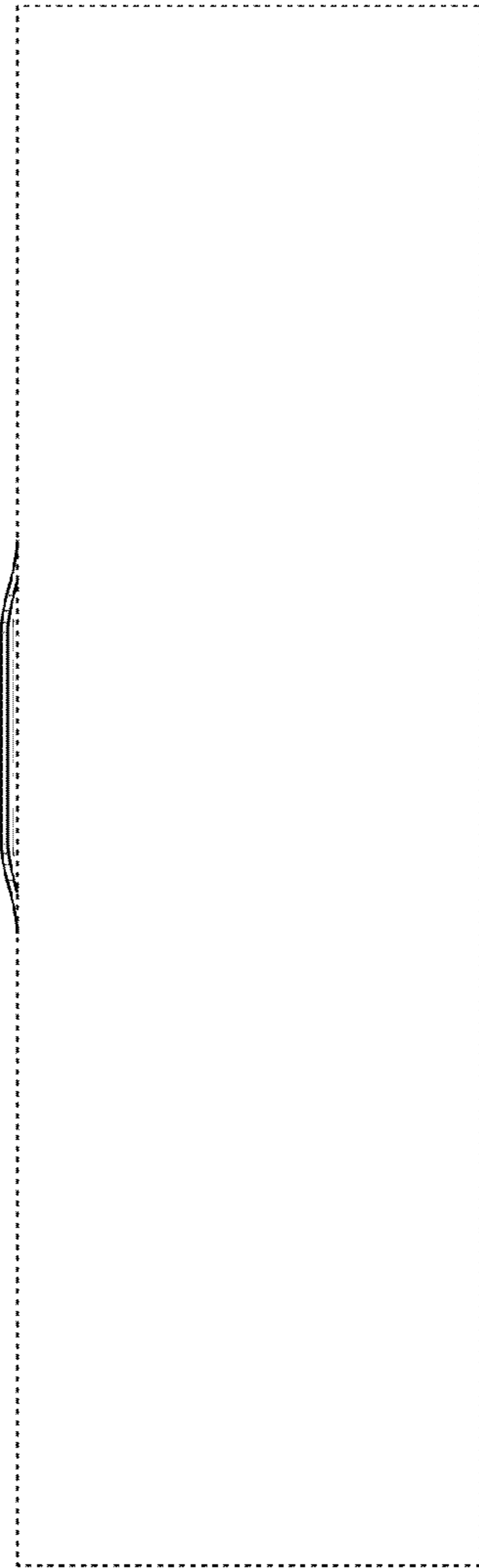
*FIG. 2*



*FIG. 3*



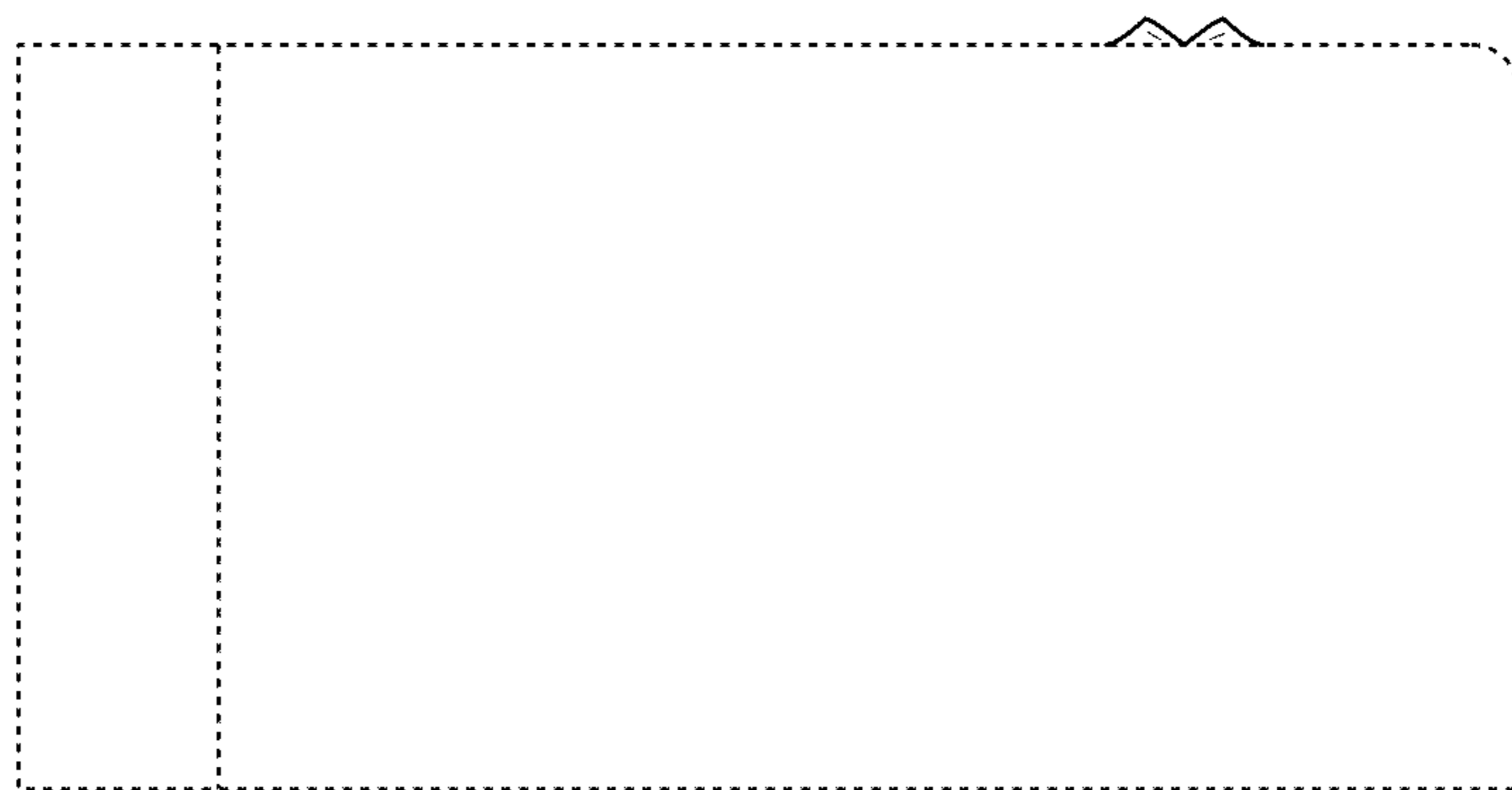
*FIG. 4*



*FIG. 5*



*FIG. 6*



*FIG. 7*

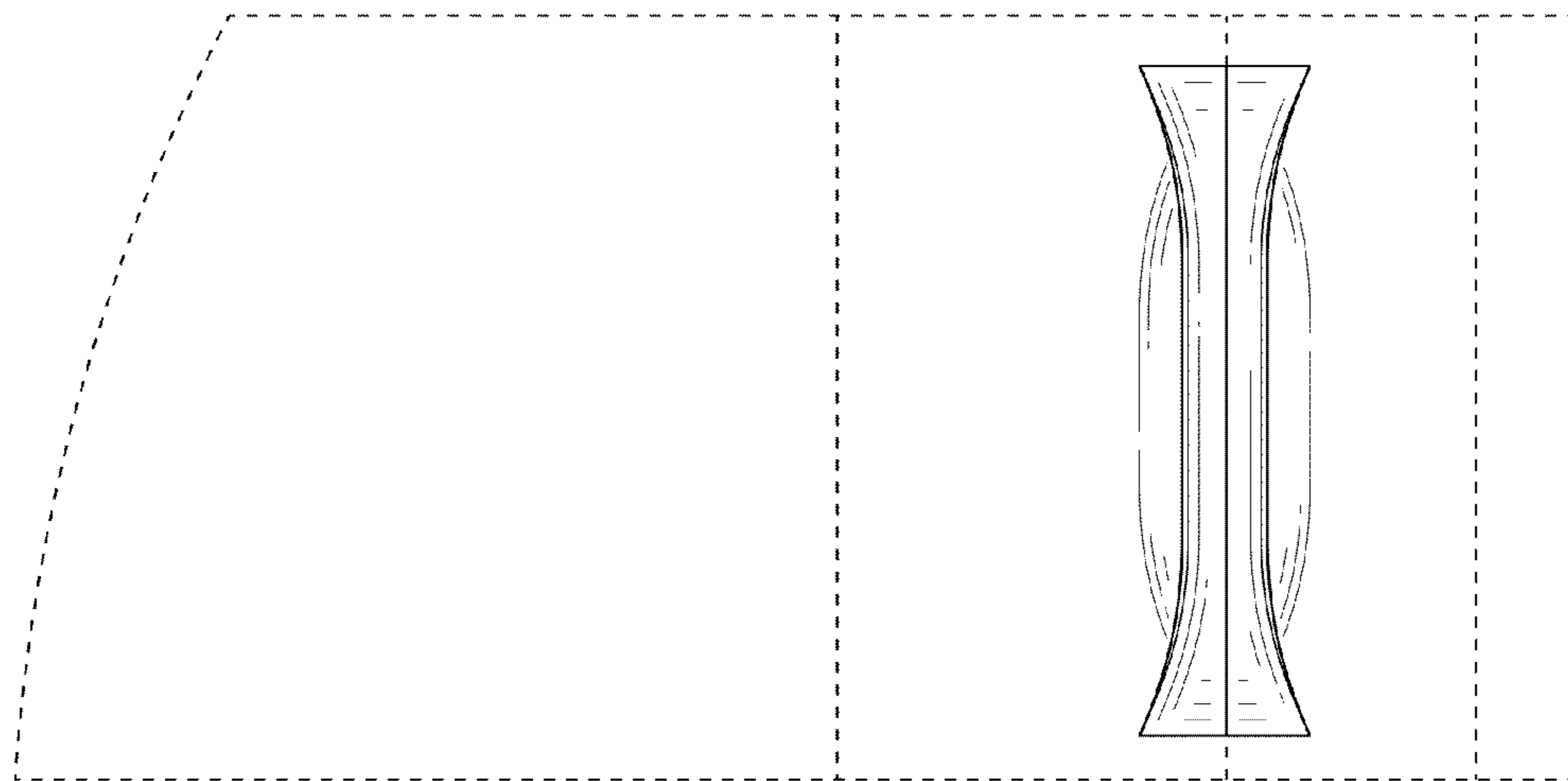


FIG. 8