



US00D705035S

(12) **United States Design Patent**  
**Horvath**

(10) **Patent No.:** **US D705,035 S**

(45) **Date of Patent:** **\*\* May 20, 2014**

(54) **KNIFE HANDLE**

(71) Applicant: **Dwayne Horvath**, Pittstown, NJ (US)

(72) Inventor: **Dwayne Horvath**, Pittstown, NJ (US)

(\*\*) Term: **14 Years**

(21) Appl. No.: **29/446,337**

(22) Filed: **Feb. 22, 2013**

(51) **LOC (10) Cl.** ..... **08-06**

(52) **U.S. Cl.**  
CPC ..... **B26B 1/10** (2013.01)  
USPC ..... **D8/107**; D8/99

(58) **Field of Classification Search**  
CPC ..... B26B 1/10  
USPC ..... D8/107, 99, 98, 100, 303; D7/401.2;  
D22/118; 30/155, 156-160, 161-164,  
30/151, 295; 81/481; 74/551.8, 551.9, 557  
See application file for complete search history.

(56) **References Cited**

**U.S. PATENT DOCUMENTS**

4,578,864	A	*	4/1986	Hoffman	.....	30/295
5,495,673	A	*	3/1996	Gardiner et al.	.....	30/155
D371,288	S	*	7/1996	Thompson	.....	D8/99
D411,790	S	*	7/1999	Glesser	.....	D8/99
D422,873	S	*	4/2000	McHenry et al.	.....	D8/99
D431,991	S	*	10/2000	Elishewitz	.....	D8/99
D473,917	S	*	4/2003	Carter, III	.....	D22/118
D510,514	S	*	10/2005	Ray et al.	.....	D8/99

D553,468	S	*	10/2007	Freeman	.....	D8/99
D560,998	S	*	2/2008	Farland	.....	D8/99
D561,554	S	*	2/2008	Taylor	.....	D8/99
D579,299	S	*	10/2008	Ping	.....	D8/99
D582,243	S	*	12/2008	Freeman et al.	.....	D8/107
D582,747	S	*	12/2008	Freeman et al.	.....	D8/107
D599,640	S	*	9/2009	Yang-Fu	.....	D8/99
D599,641	S	*	9/2009	Yang-Fu	.....	D8/99
D600,090	S	*	9/2009	Yang-Fu	.....	D8/99
D610,896	S	*	3/2010	Linn	.....	D8/107
D614,933	S	*	5/2010	Freeman et al.	.....	D8/107
D632,154	S	*	2/2011	Yang-Fu	.....	D8/99
D677,551	S	*	3/2013	Pelton	.....	D8/99
D686,482	S	*	7/2013	Robinson et al.	.....	D8/99
D688,933	S	*	9/2013	Cheng	.....	D8/99

\* cited by examiner

*Primary Examiner* — Paula Greene

(57) **CLAIM**

The ornamental design for a “knife handle,” as shown and described.

**DESCRIPTION**

FIG. 1 is a front perspective view of my new handle

FIG. 2 is a top view

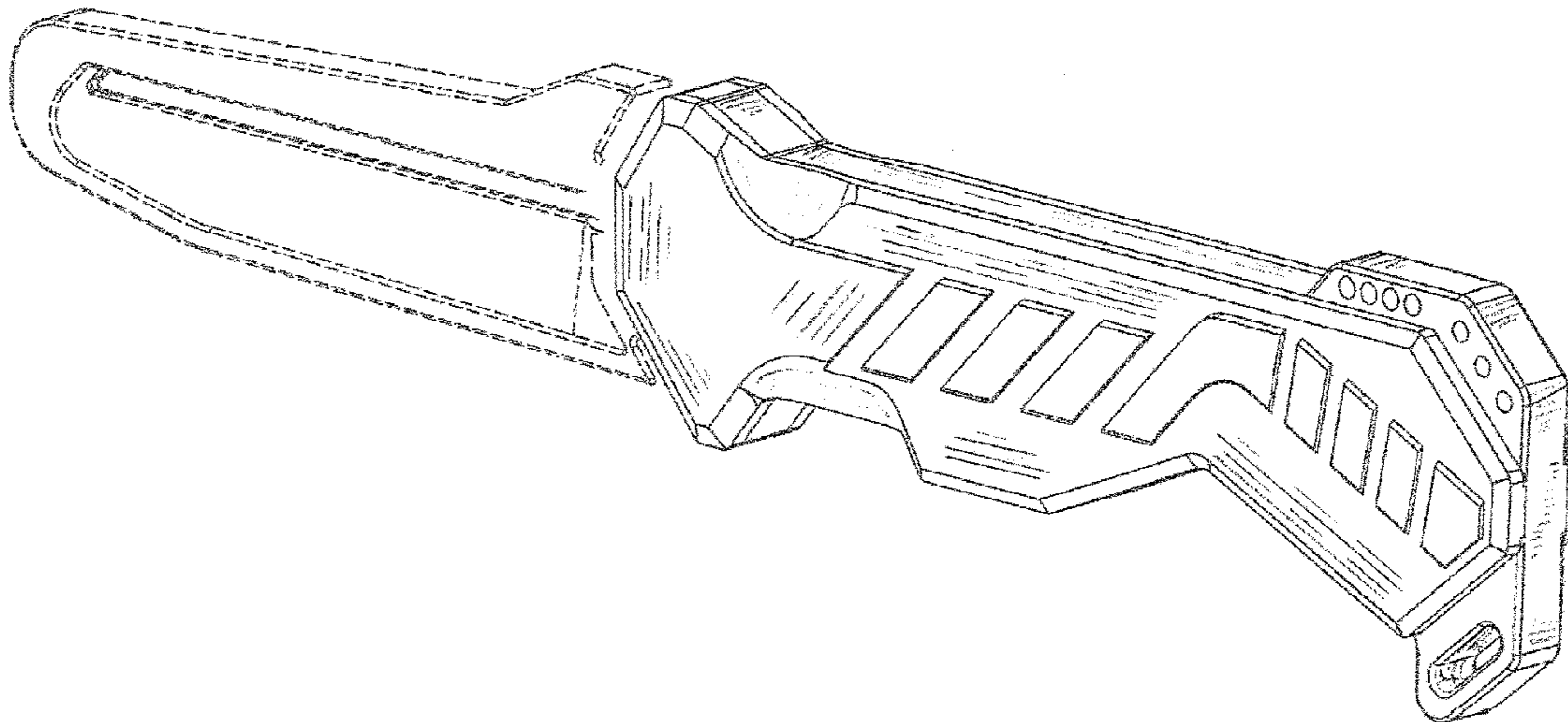
FIG. 3 is a bottom view

FIG. 4 is a rear view; and,

FIG. 5 is a diametric view.

The broken lines illustrating a blade are directed to environment and form no part of the claim. In FIG. 3 the small rectangular member with broken lines illustrate unclaimed features of the handle.

**1 Claim, 1 Drawing Sheet**



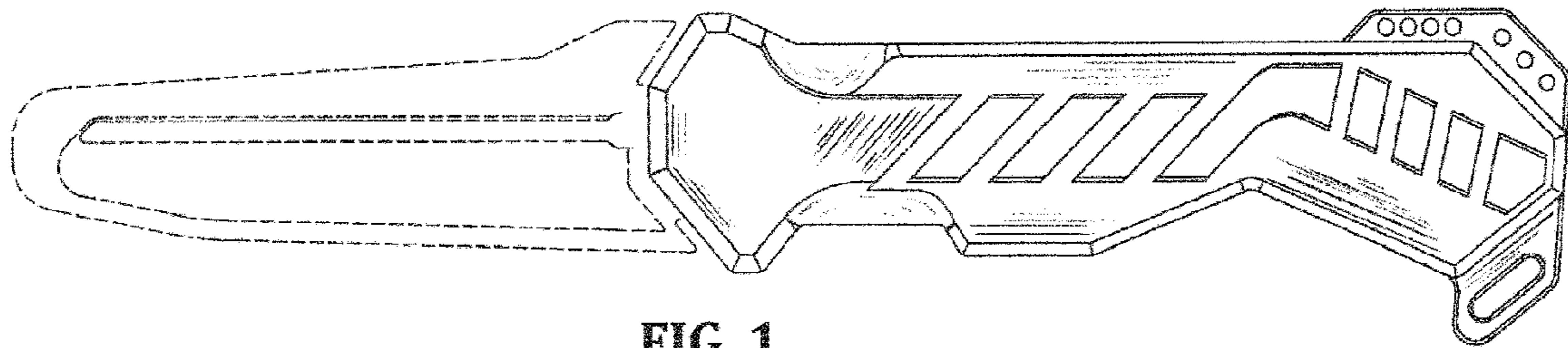


FIG. 1



FIG. 2



FIG. 3

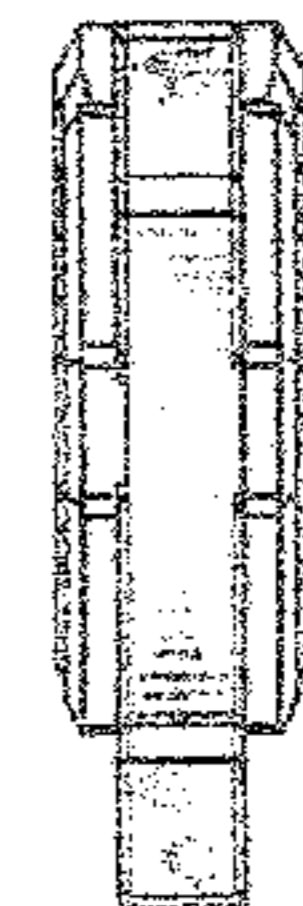


FIG. 4

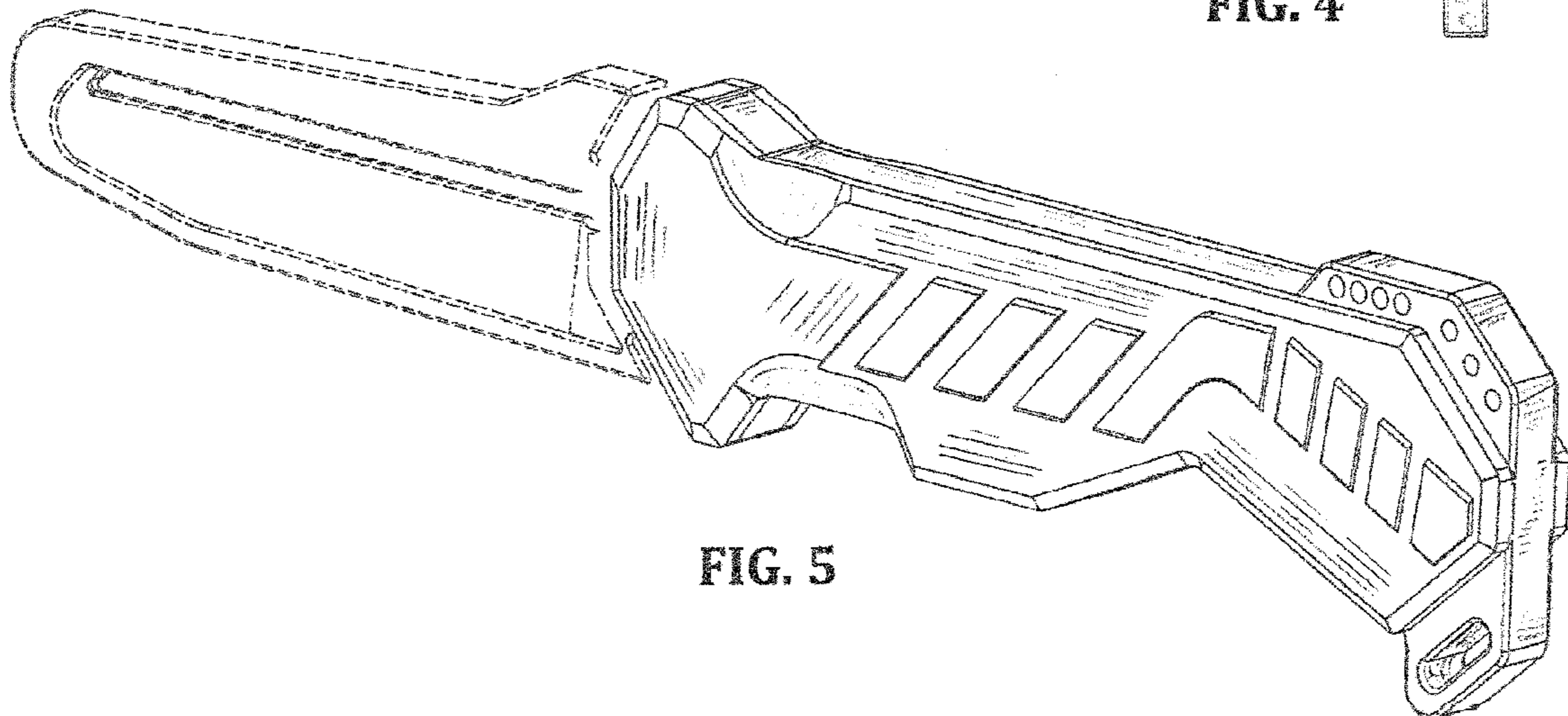


FIG. 5