



US00D705034S

(12) **United States Design Patent**  
**Connell**

(10) **Patent No.:** **US D705,034 S**

(45) **Date of Patent:** **\*\* May 20, 2014**

(54) **KEY SHAPED MULTIPURPOSE TOOL**

(71) Applicant: **Sean Dennis Connell**, Lafayette, IN  
(US)

(72) Inventor: **Sean Dennis Connell**, Lafayette, IN  
(US)

(73) Assignee: **Sean Dennis Connell**, Lafayette, IN  
(US)

(\*\*) Term: **14 Years**

(21) Appl. No.: **29/451,708**

(22) Filed: **Apr. 6, 2013**

(51) **LOC (10) Cl.** ..... **08-05**

(52) **U.S. Cl.**  
USPC ..... **D8/105**

(58) **Field of Classification Search**  
USPC ..... D8/14, 16, 18, 19, 20, 26, 33, 34,  
D8/38-43, 51, 52, 55, 57, 75, 81-87, 98,  
D8/104-106; 7/158-166; 30/151, 359,  
30/366; D3/210

See application file for complete search history.

(56) **References Cited**

**U.S. PATENT DOCUMENTS**

D41,807 S \* 9/1911 Beach ..... D8/18  
D116,179 S \* 8/1939 Yates ..... D8/17

D311,980 S \* 11/1990 Baker ..... D32/46  
5,095,777 A \* 3/1992 Osmar et al. .... 81/3.09  
D339,047 S \* 9/1993 Henderson ..... D8/82  
D389,624 S \* 1/1998 Drimmie et al. .... D32/46  
D405,953 S \* 2/1999 Legg ..... D3/210  
D445,655 S \* 7/2001 Maddox ..... D8/17  
D459,846 S \* 7/2002 Mottern et al. .... D32/43  
D528,880 S \* 9/2006 Belflower ..... D8/16  
7,650,770 B2 \* 1/2010 Maxwell ..... 70/408  
D661,084 S \* 6/2012 Rubin et al. .... D3/210  
D693,202 S \* 11/2013 Berman ..... D8/105

\* cited by examiner

*Primary Examiner* — Susan Bennett Hattan

*Assistant Examiner* — Janice Hallmark

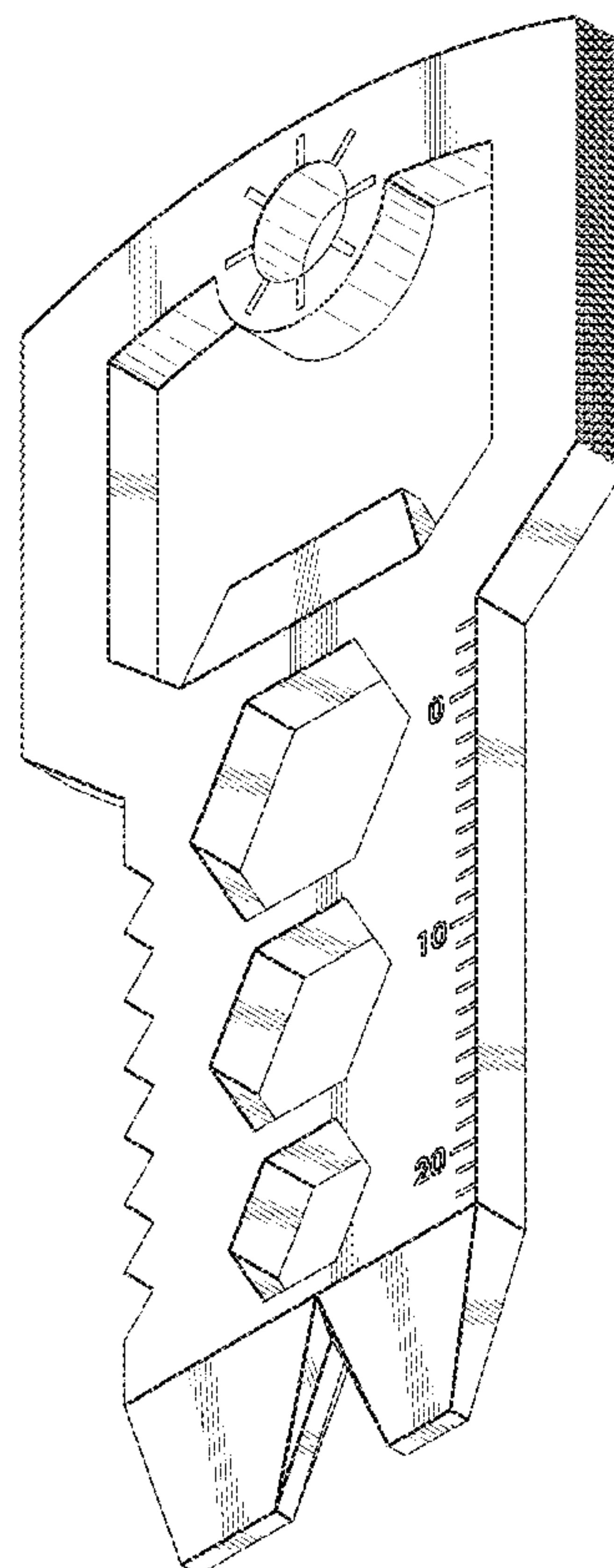
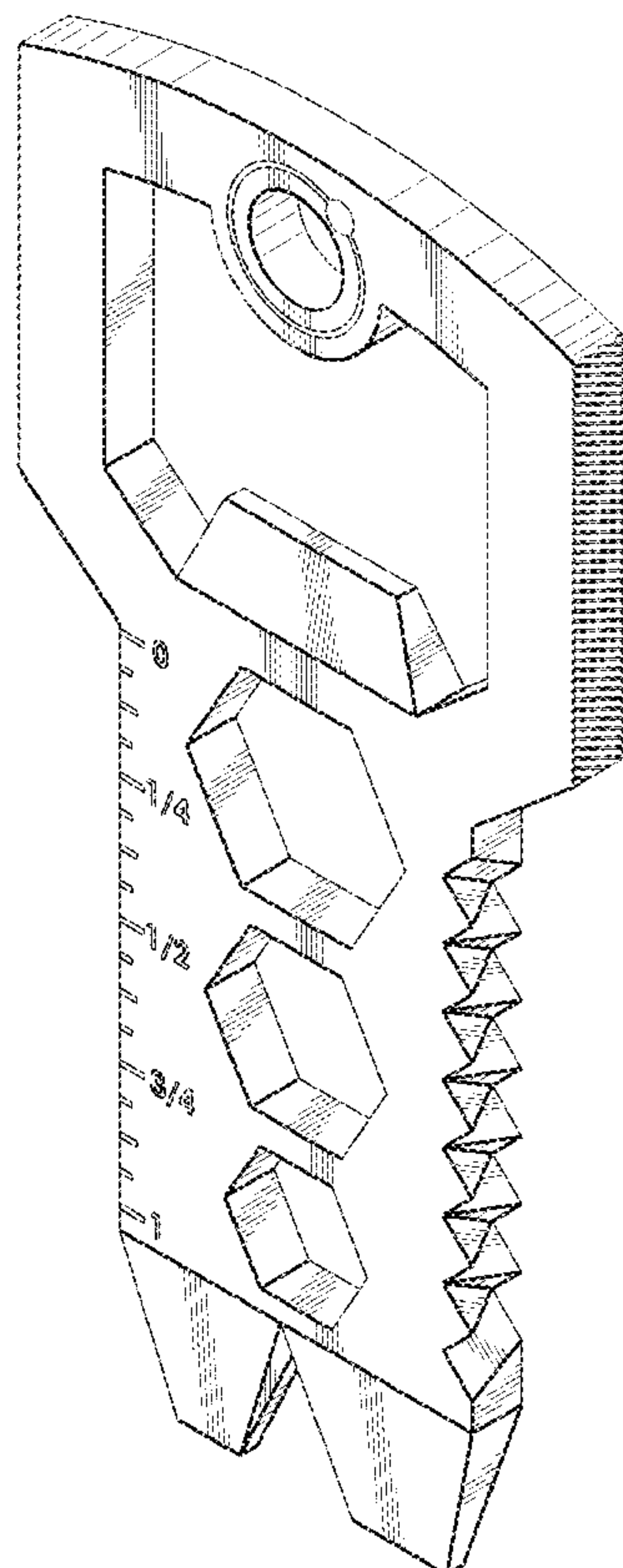
(57) **CLAIM**

The ornamental design for a key shaped multipurpose tool, as shown.

**DESCRIPTION**

FIG. 1 is a top perspective view of a key shaped multipurpose tool showing my new design;  
FIG. 2 is a bottom perspective view thereof;  
FIG. 3 is a front view thereof;  
FIG. 4 is a left side view thereof;  
FIG. 5 is a back view thereof;  
FIG. 6 is a right side view thereof;  
FIG. 7 is a top view thereof; and,  
FIG. 8 is a bottom view thereof.

**1 Claim, 5 Drawing Sheets**



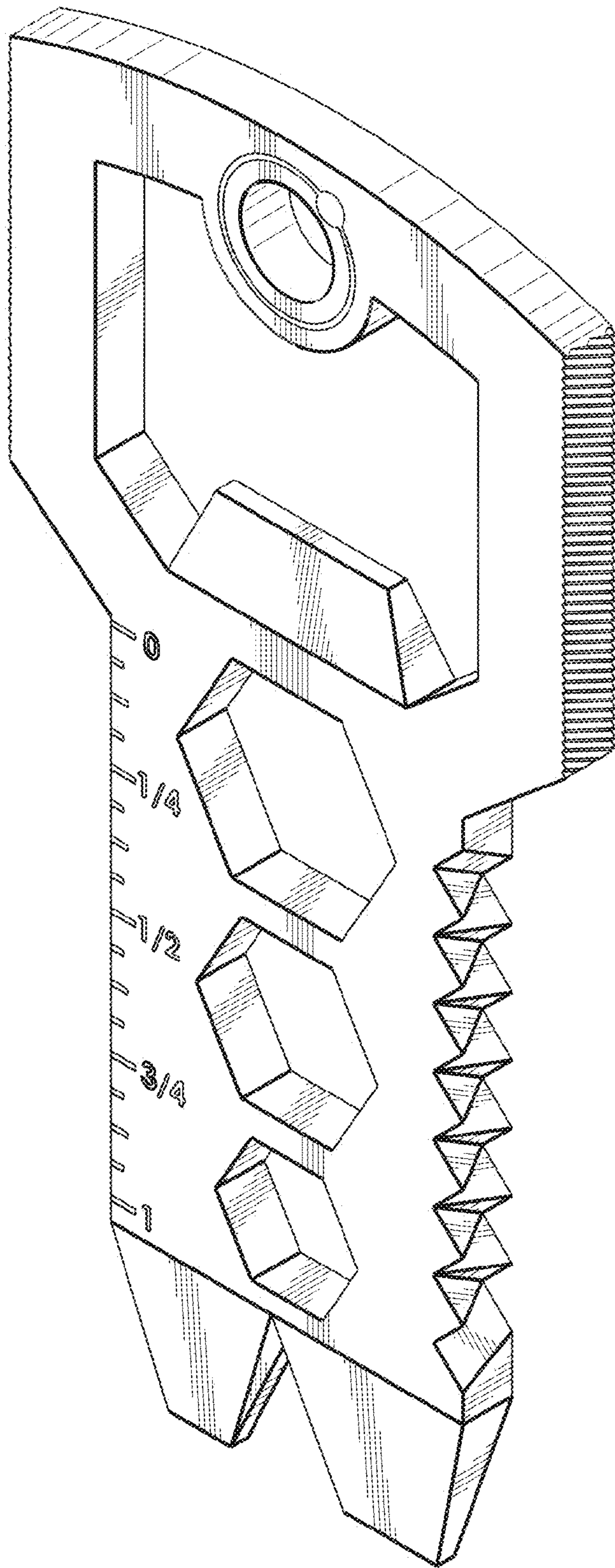


FIG. 1

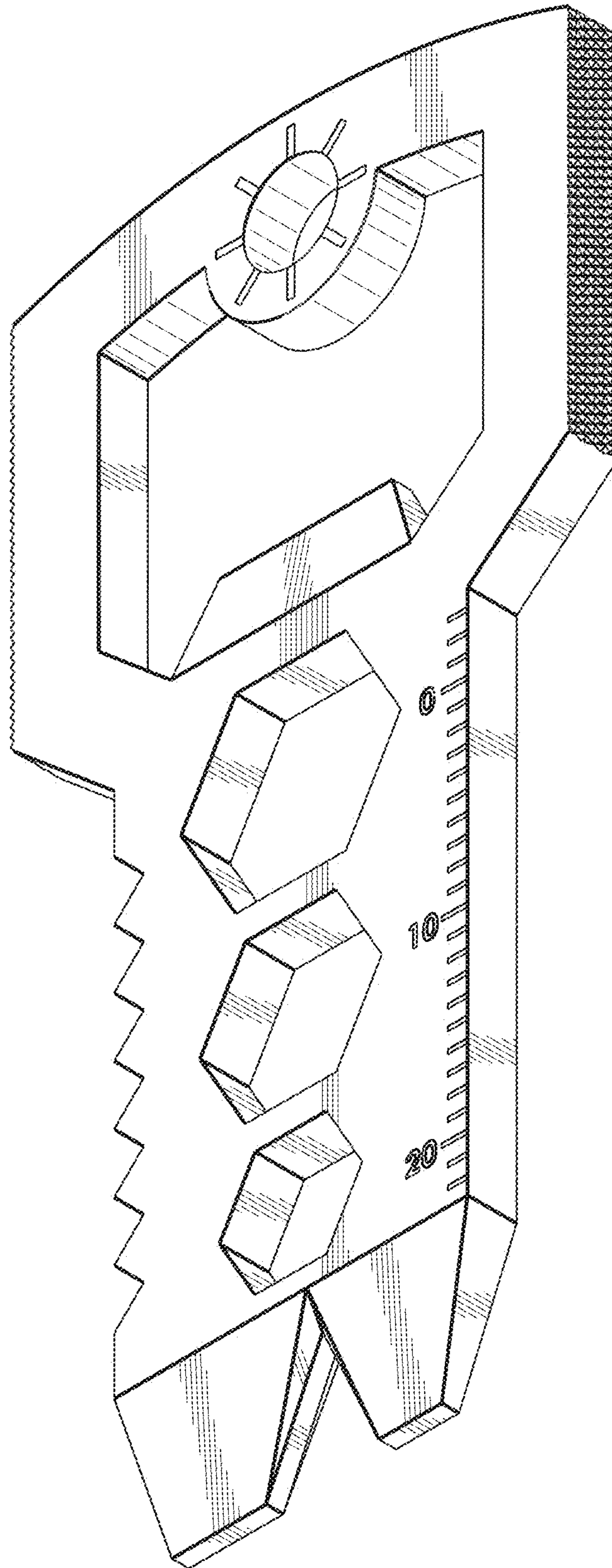


FIG. 2



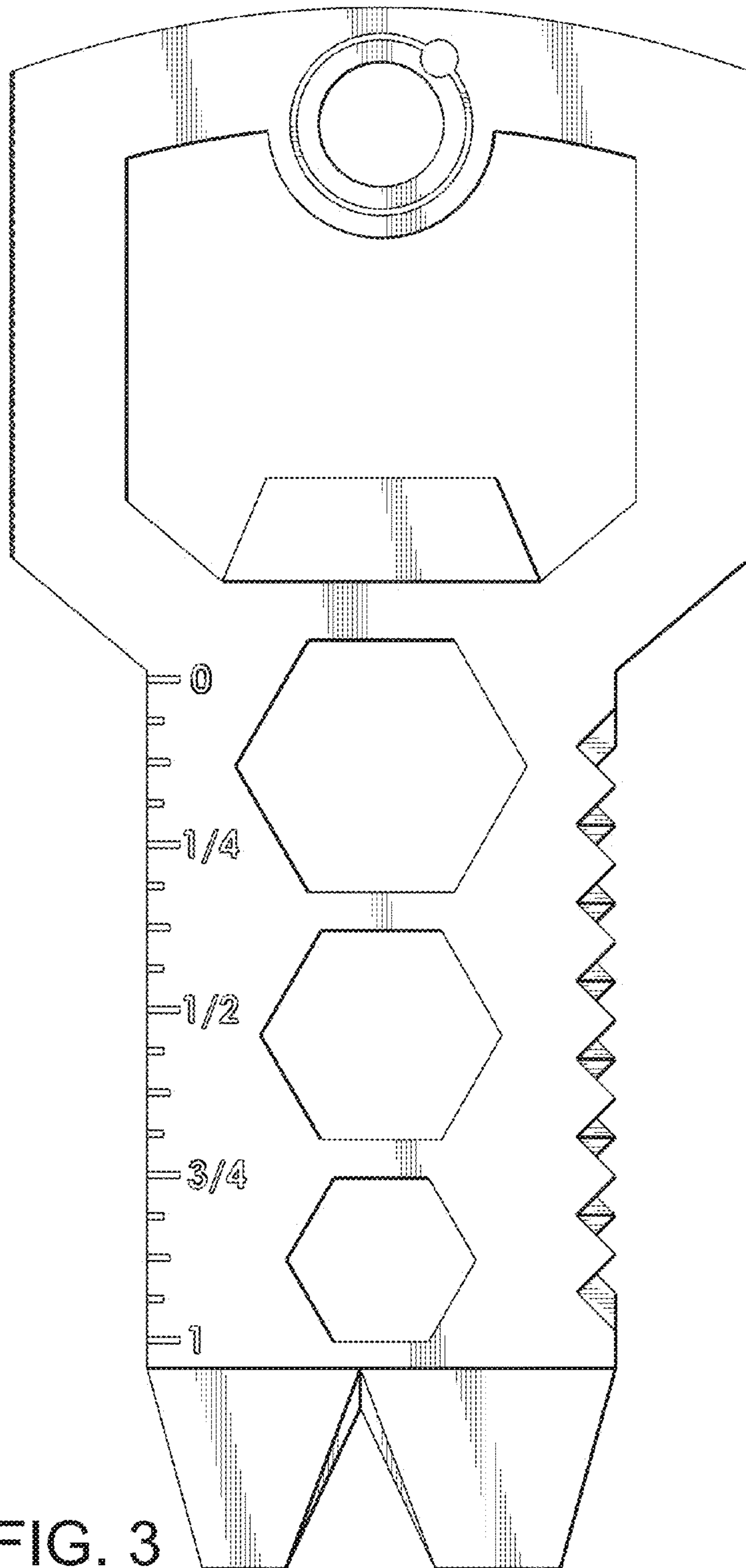


FIG. 3

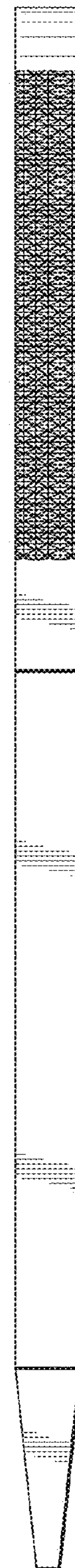


FIG. 4

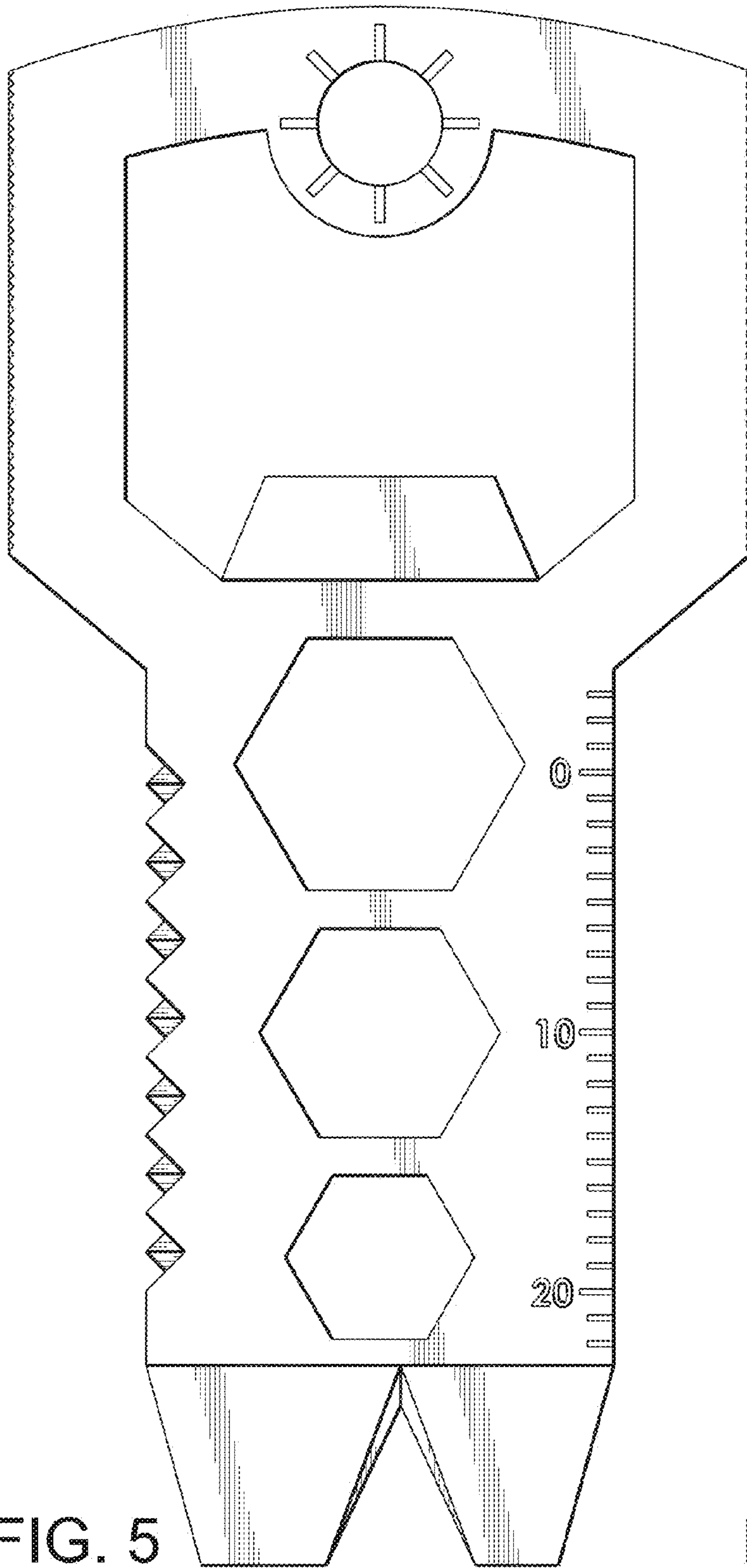


FIG. 5

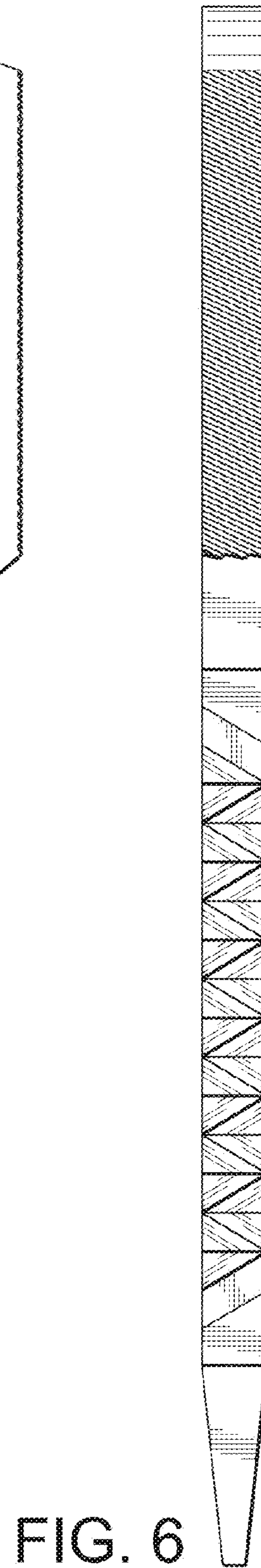


FIG. 6



FIG. 7

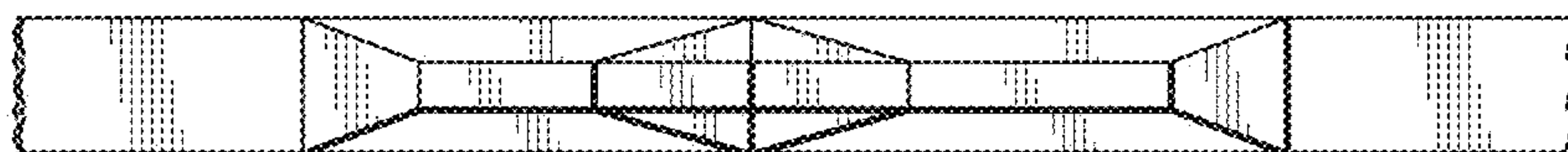


FIG. 8