



US00D705032S

(12) **United States Design Patent**
Vazikas

(10) **Patent No.:** **US D705,032 S**

(45) **Date of Patent:** **** May 20, 2014**

(54) **JEWELER'S HAMMER HEAD**

(76) Inventor: **George Vazikas**, Miami, FL (US)

(**) Term: **14 Years**

(21) Appl. No.: **29/423,285**

(22) Filed: **May 30, 2012**

(51) **LOC (10) Cl.** **08-02**

(52) **U.S. Cl.**
USPC **D8/78**

(58) **Field of Classification Search**
USPC D8/75-81; 81/19-26; 76/103;
125/30.01, 36-40

See application file for complete search history.

(56) **References Cited**

U.S. PATENT DOCUMENTS

D23,169	S	*	4/1894	Hamilton	D8/75
863,404	A	*	8/1907	Knopf	81/19
1,591,663	A	*	7/1926	Edwardson	81/19
2,286,859	A	*	6/1942	Lake	359/809
2,763,172	A	*	9/1956	Richards	72/482.94
3,444,908	A	*	5/1969	Roth	81/19
D297,503	S	*	9/1988	Burton	D8/77
D366,604	S	*	1/1996	Welch, Jr.	D8/77

D564,323	S	*	3/2008	Zubiaurre Alberdi et al.	..	D8/78
D565,378	S	*	4/2008	Zubiaurre Alberdi et al.	..	D8/78
D622,123	S	*	8/2010	Zubiaurre Alberdi et al.	..	D8/78

* cited by examiner

Primary Examiner — Philip S Hyder

Assistant Examiner — Roselynn Cody

(74) *Attorney, Agent, or Firm* — Malloy & Malloy, P.L.

(57) **CLAIM**

The ornamental design for a jeweler's hammer head, as shown and described.

DESCRIPTION

FIG. 1 is a front perspective view illustrating my design for a jeweler's hammer head;

FIG. 2 is a front view thereof;

FIG. 3 is a left side view thereof;

FIG. 4 is a top view thereof;

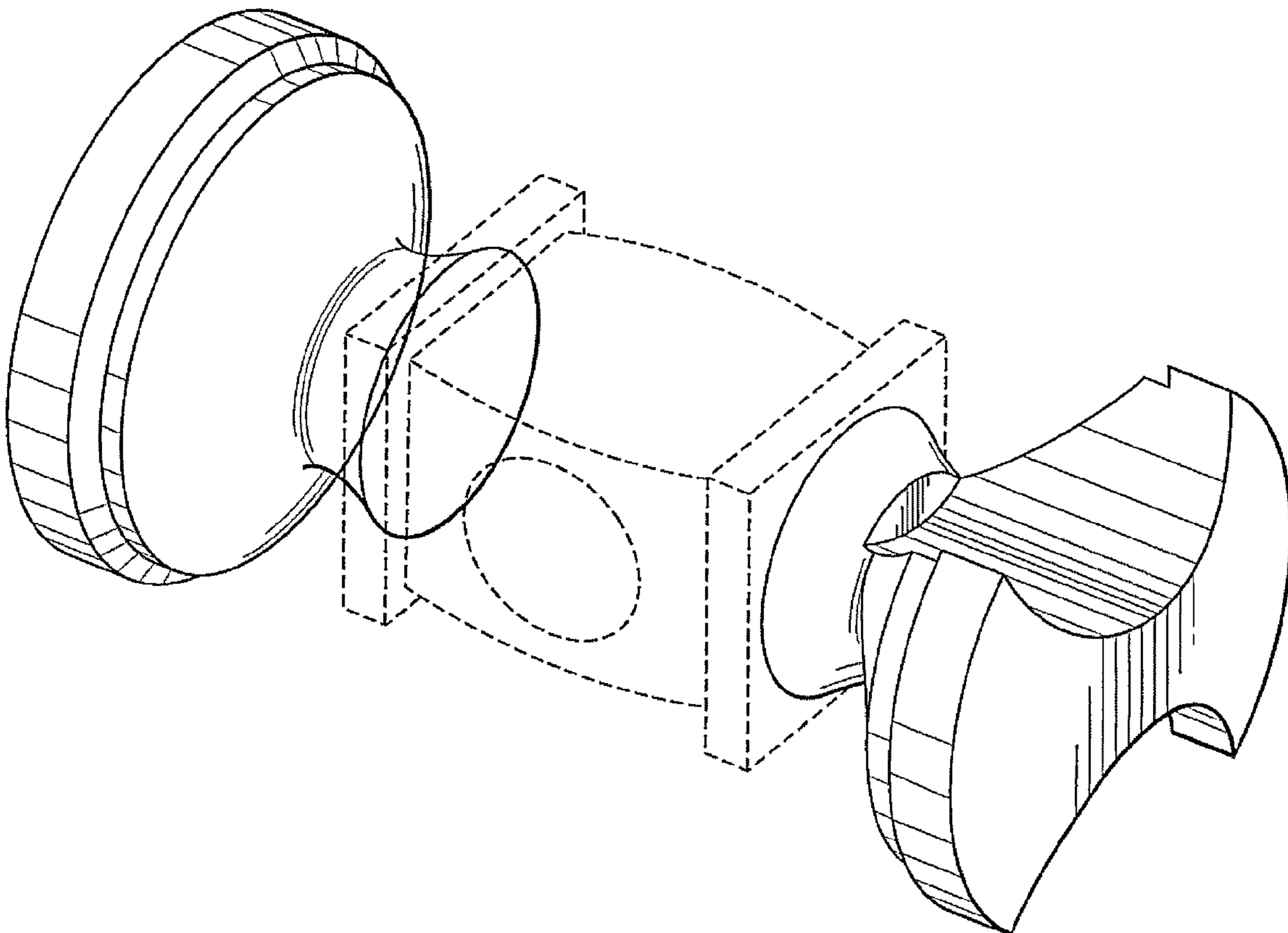
FIG. 5 is a right side view thereof;

FIG. 6 is a bottom view thereof; and,

FIG. 7 is a rear view thereof.

The broken lines in the drawings are for illustrative purposes only and form no part of the claimed design.

1 Claim, 5 Drawing Sheets



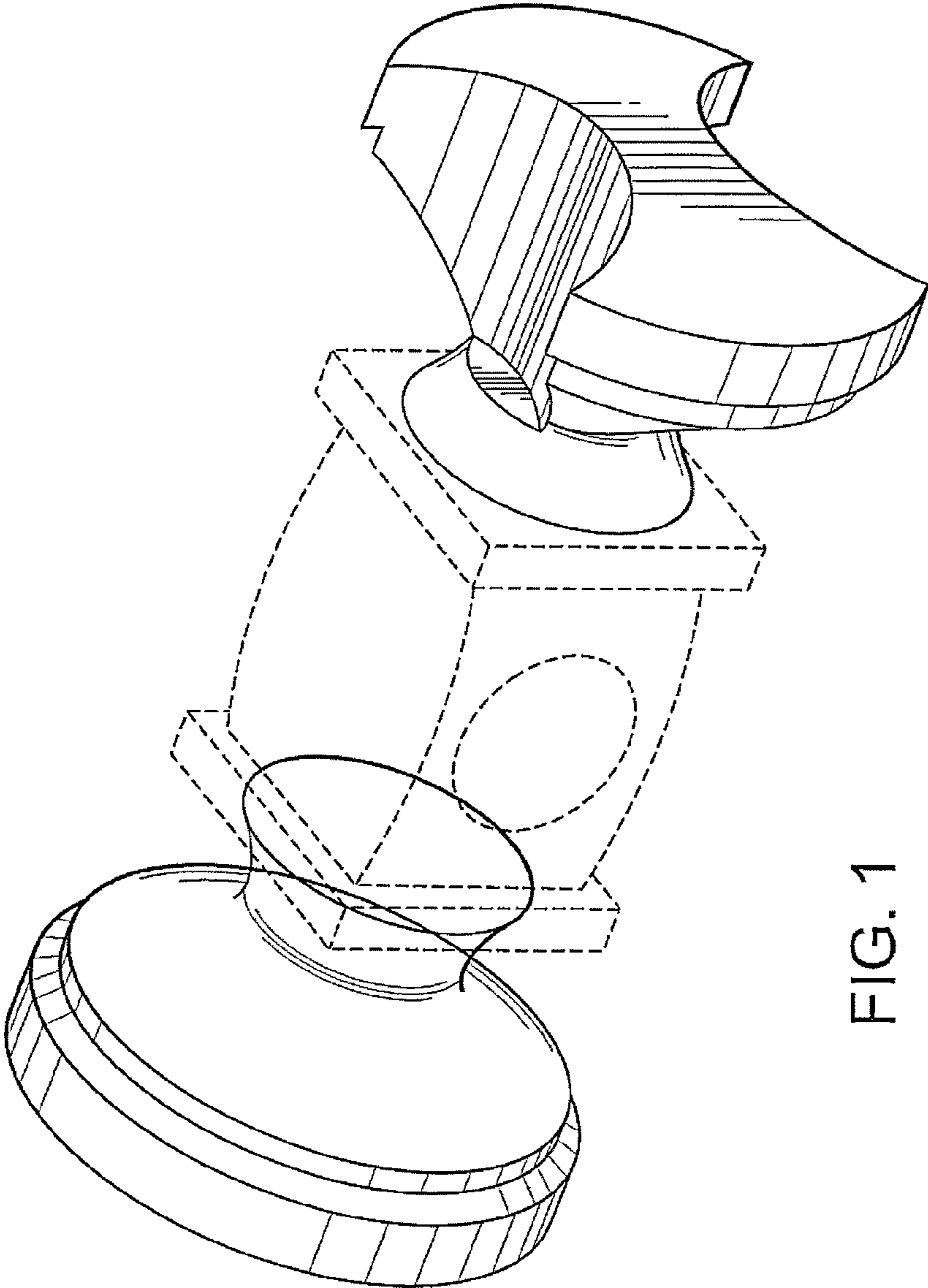


FIG. 1

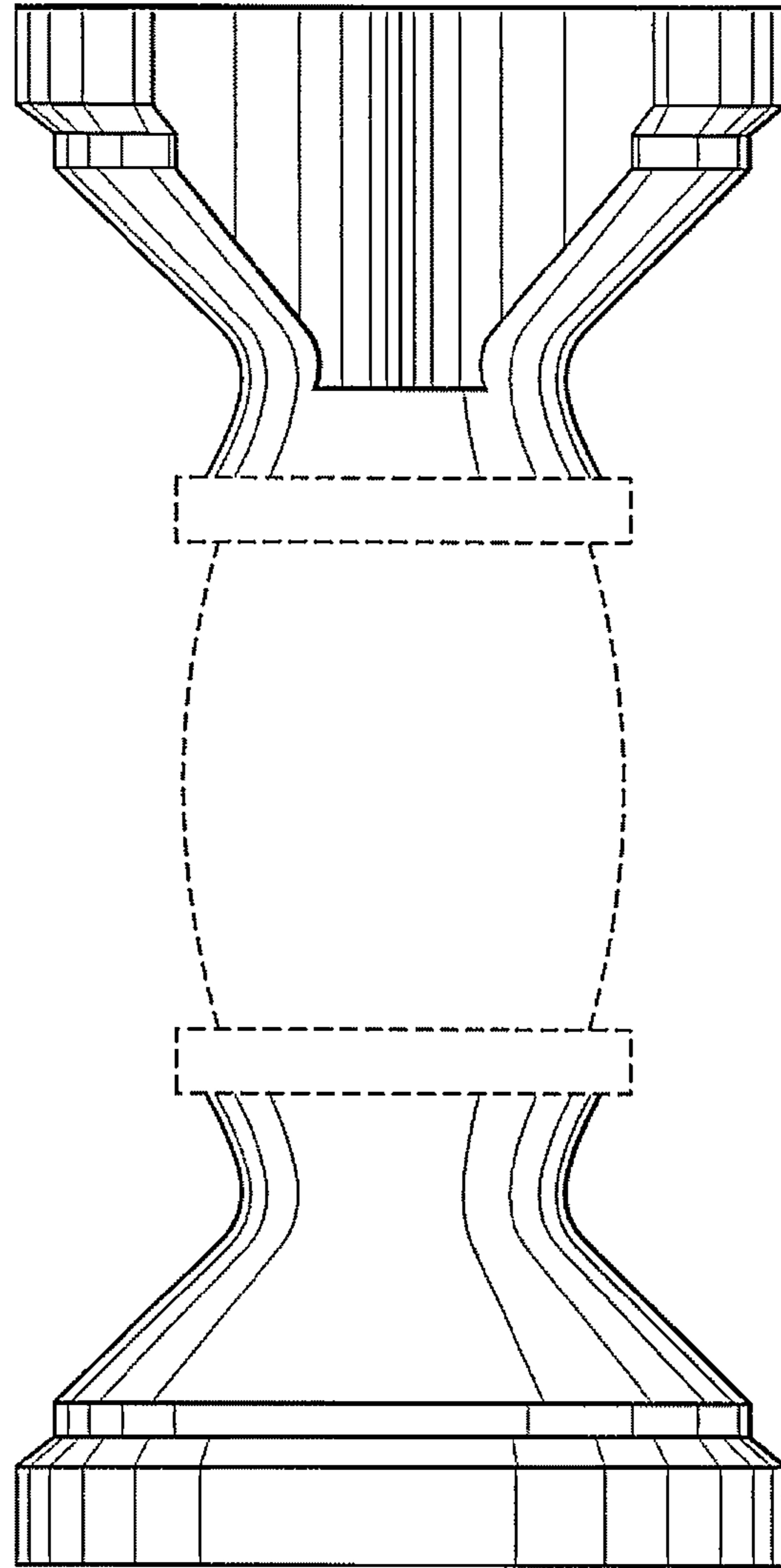


FIG. 2

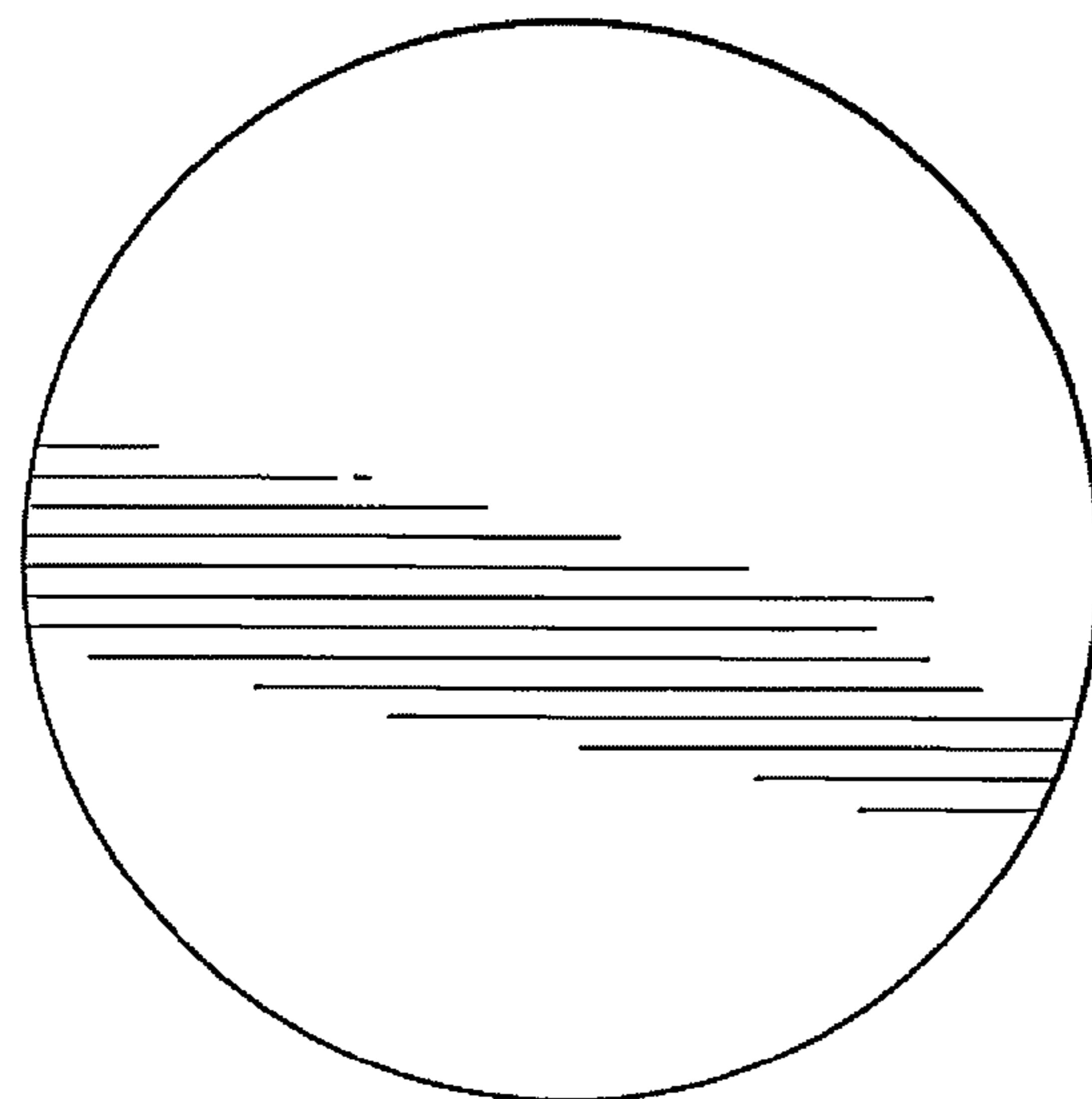


FIG. 3

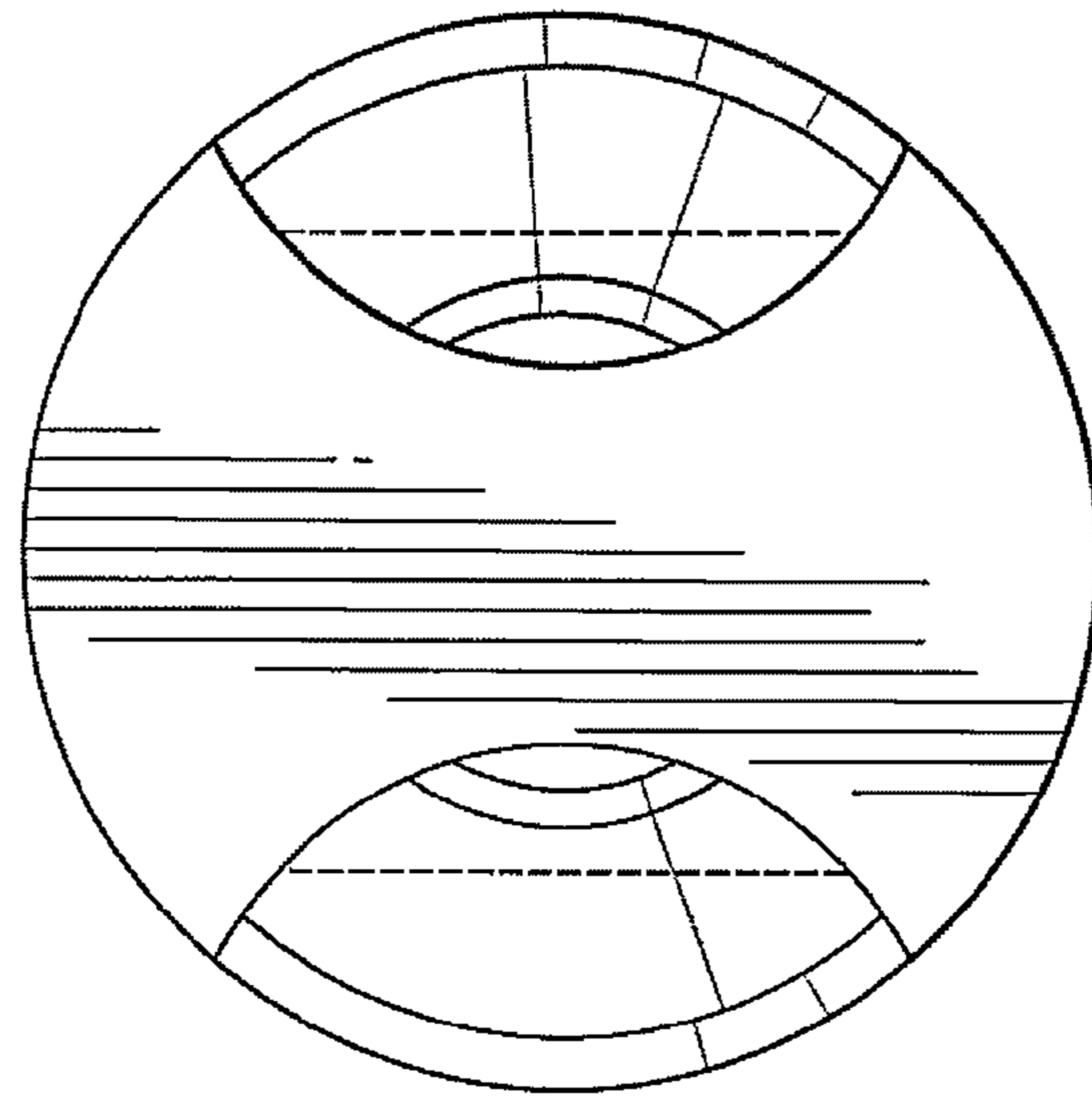


FIG. 5

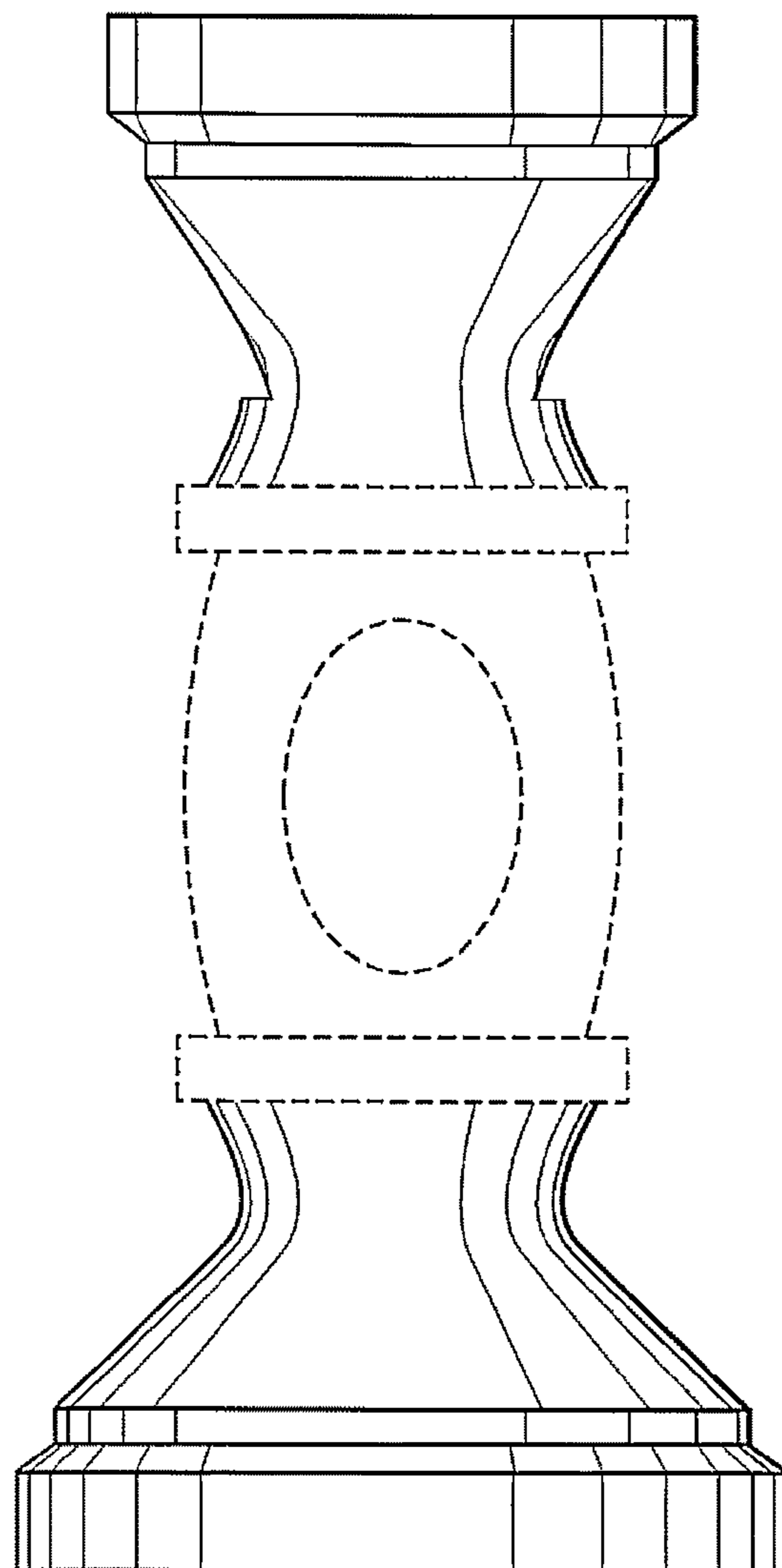


FIG. 4

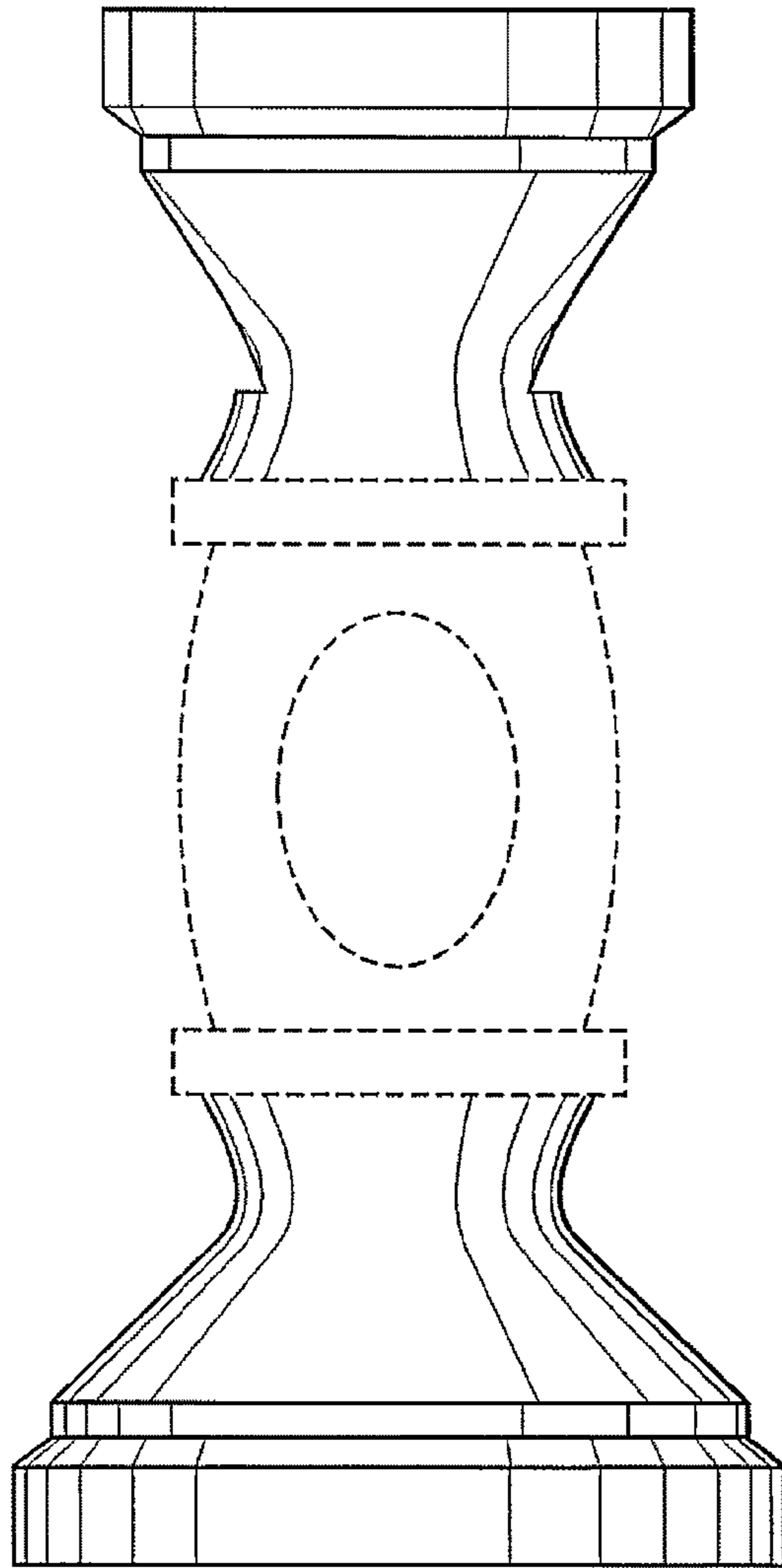


FIG. 6

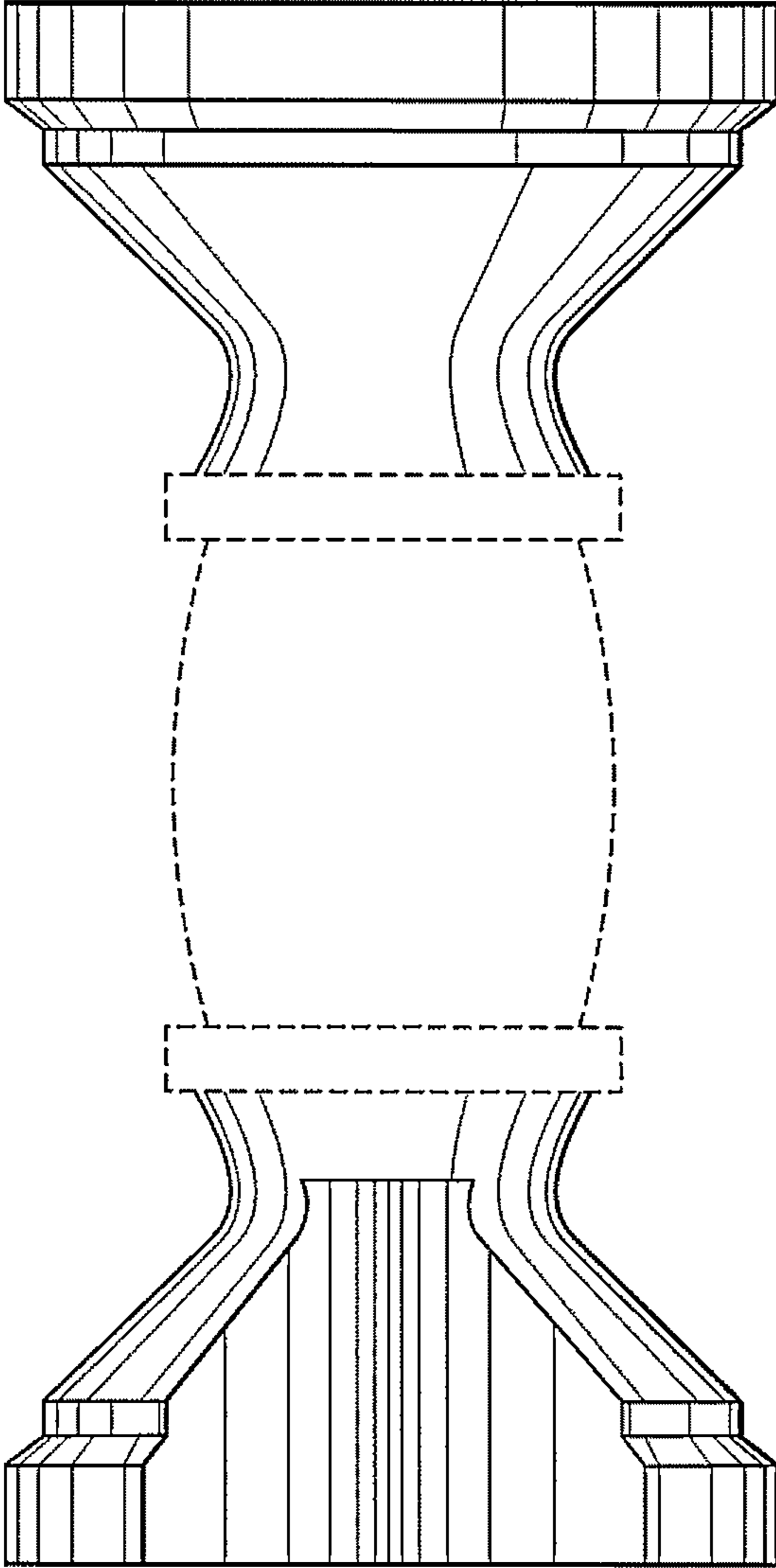


FIG. 7