



US00D705031S

(12) **United States Design Patent**
Zhang et al.

(10) **Patent No.:** **US D705,031 S**
(45) **Date of Patent:** **** May 20, 2014**

(54) **FRONT-LOADING QUICK-ACTING BENCH CLAMP**

(71) Applicants: **Zhiquan Zhang**, Laizhou (CN); **Tao Wang**, Laizhou (CN); **Shousong Chen**, Laizhou (CN); **Shujun Zhao**, Laizhou (CN); **Xiaodong Wang**, Laizhou (CN)

(72) Inventors: **Zhiquan Zhang**, Laizhou (CN); **Tao Wang**, Laizhou (CN); **Shousong Chen**, Laizhou (CN); **Shujun Zhao**, Laizhou (CN); **Xiaodong Wang**, Laizhou (CN)

(**) Term: **14 Years**

(21) Appl. No.: **29/448,913**

(22) Filed: **Mar. 14, 2013**

(30) **Foreign Application Priority Data**

Jan. 25, 2013 (CN) 2013 3 0023714

(51) **LOC (10) Cl.** **08-05**

(52) **U.S. Cl.**
USPC **D8/74**

(58) **Field of Classification Search**

USPC D8/71-74, 394-399, 59; 248/62, 63, 248/72, 74.1, 689, 124.2; 81/487; 269/3, 4, 269/6, 143, 165, 240, 243, 246-249, 254 R, 269/147-149; 29/256, 257, 276; 408/103, 408/104-109

See application file for complete search history.

(56) **References Cited**

U.S. PATENT DOCUMENTS

D145,641 S * 9/1946 Thompson D8/74
D154,001 S * 5/1949 Vogl D8/74

D164,143 S * 7/1951 Vogl D8/74
D213,727 S * 4/1969 Barvinek et al. D8/74
4,133,519 A 1/1979 Shin et al.
D254,835 S * 4/1980 Bass D8/74
4,807,863 A * 2/1989 Yang 269/247
4,971,301 A * 11/1990 Yang 269/247
D333,963 S * 3/1993 Goodman D8/74
5,282,392 A 2/1994 Fan et al.
D471,070 S * 3/2003 Howell D8/72
D473,441 S * 4/2003 Cross D8/74
D484,018 S * 12/2003 Boyer et al. D8/74
D485,740 S * 1/2004 Varzino et al. D8/74
7,677,141 B1 3/2010 Crew
D680,843 S * 4/2013 Onello et al. D8/74

* cited by examiner

Primary Examiner — David Muller

(74) *Attorney, Agent, or Firm* — Andrew W. Chu; Craft Chu PLLC

(57) **CLAIM**

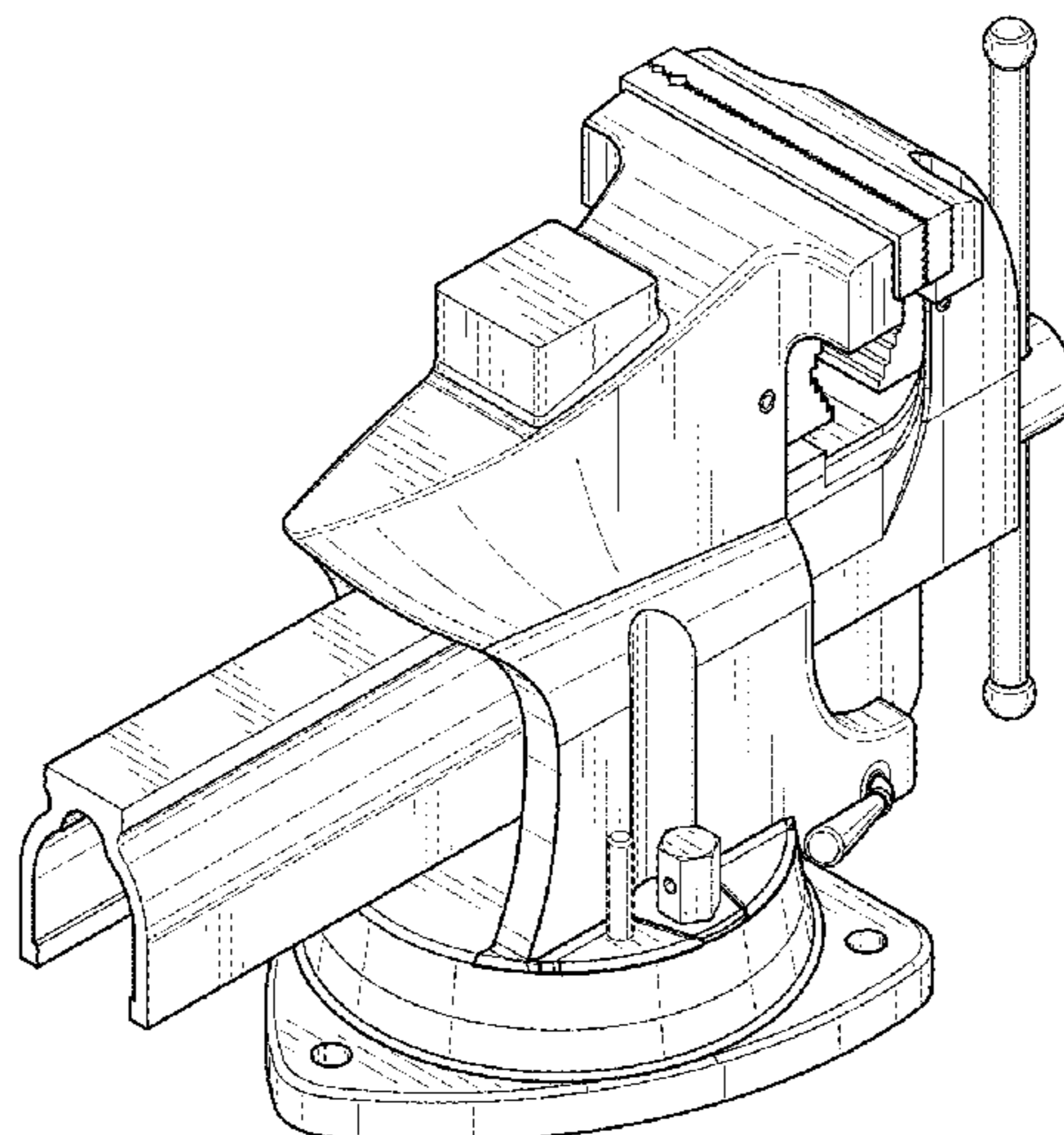
The ornamental design for a front-loading quick-acting bench clamp, as shown and described.

DESCRIPTION

FIG. 1 is an upper perspective view of the front-loading quick acting bench clamp showing my design.
FIG. 2 is a side elevation view thereof;
FIG. 3 is an opposite side elevation view thereof;
FIG. 4 is a back elevation view thereof;
FIG. 5 is a front elevation view thereof;
FIG. 6 is a top plan view thereof; and,
FIG. 7 is a bottom plan view thereof.

The broken line showing of parts of the drawings is included for the purpose of illustrating use and environment and forms no part of the claimed design.

1 Claim, 4 Drawing Sheets



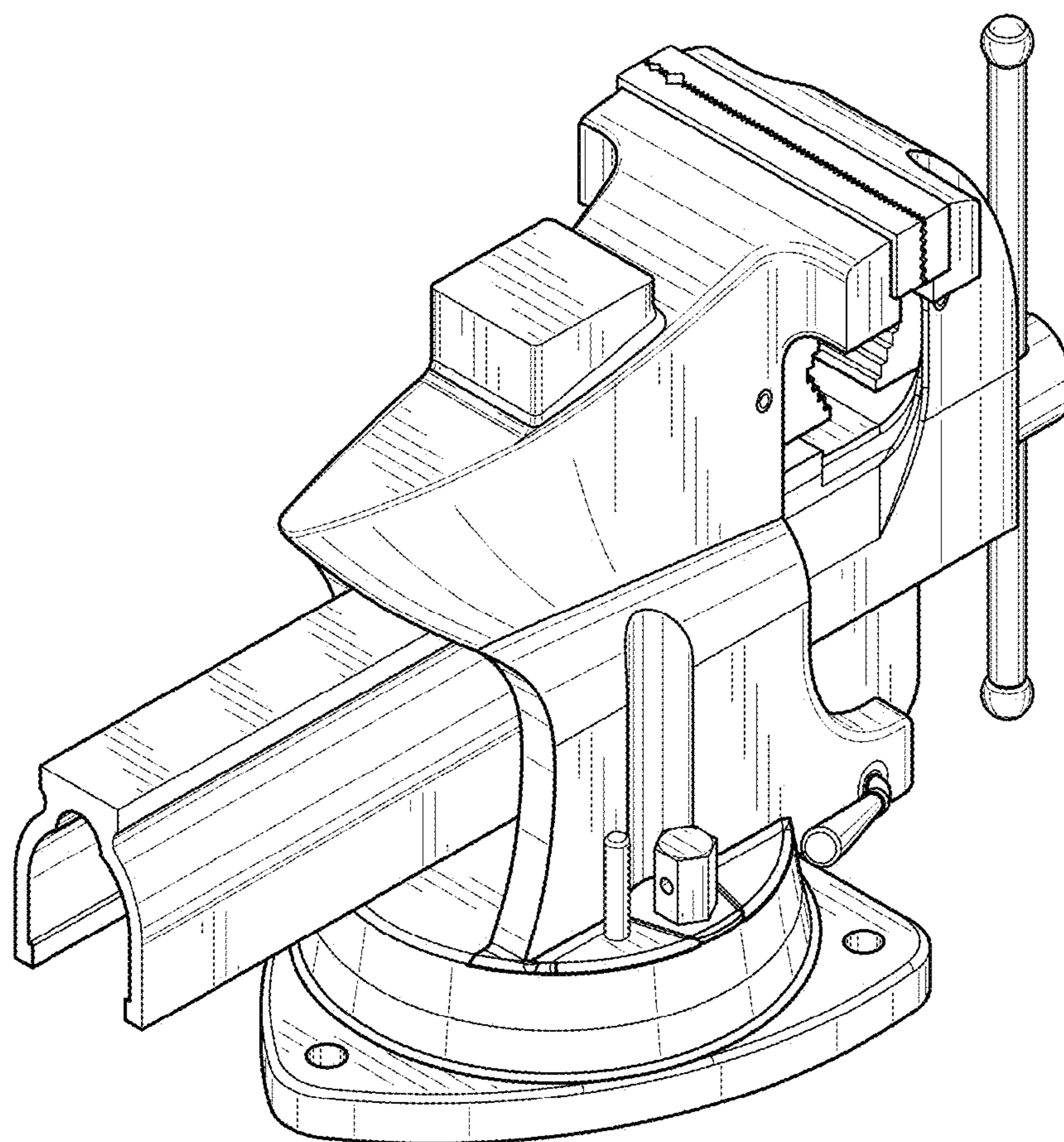


FIG. 1

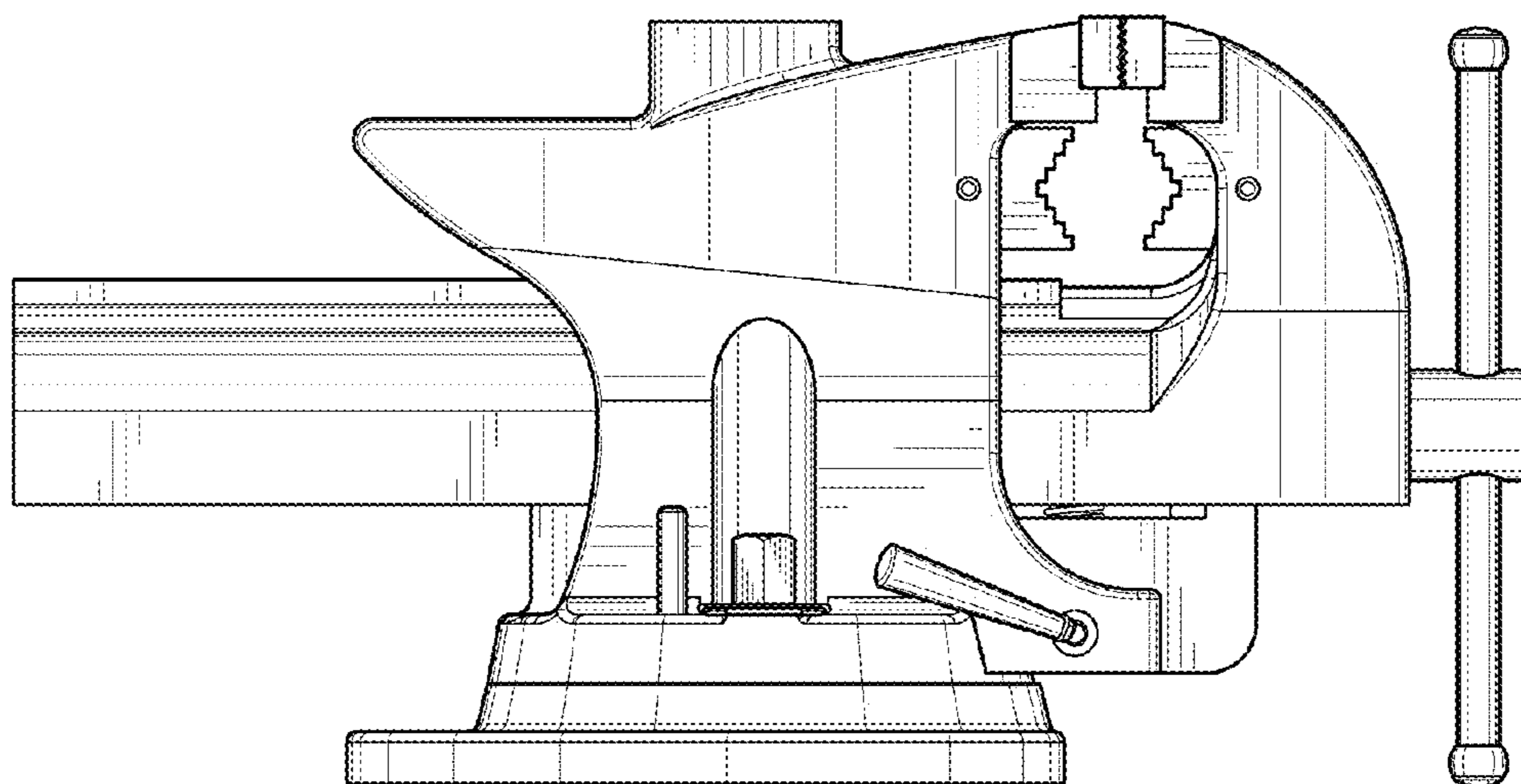


FIG. 2

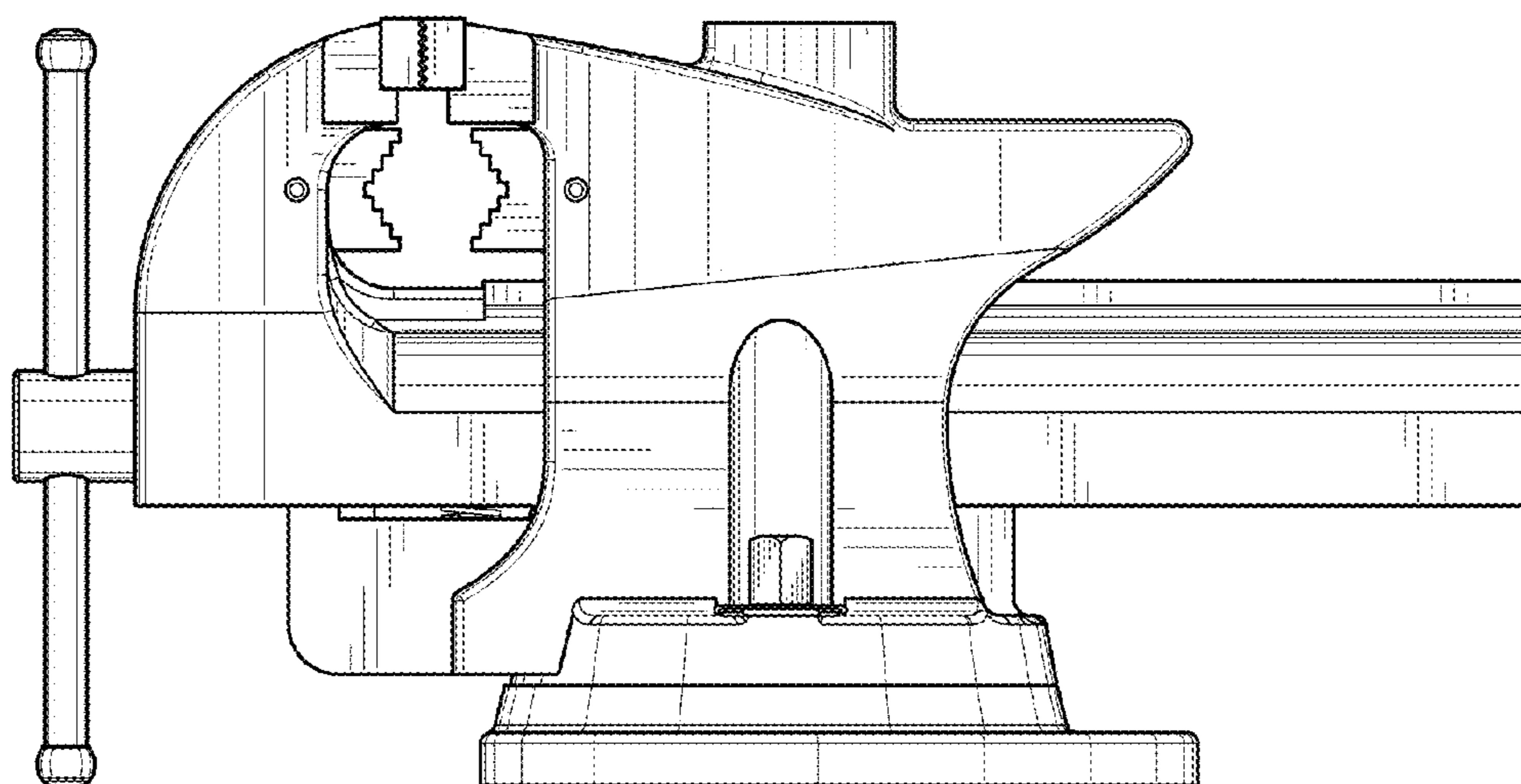


FIG. 3

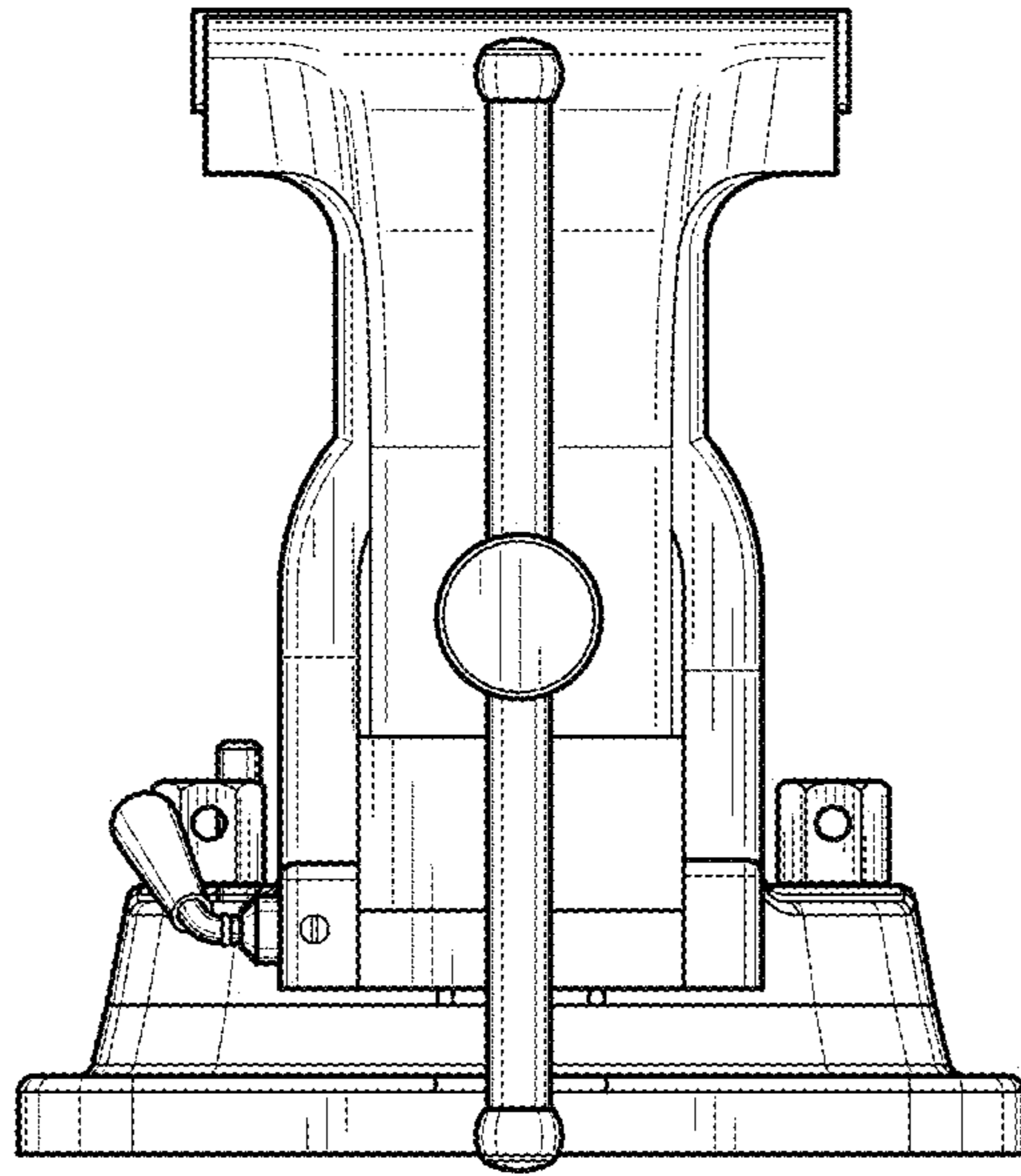


FIG. 4

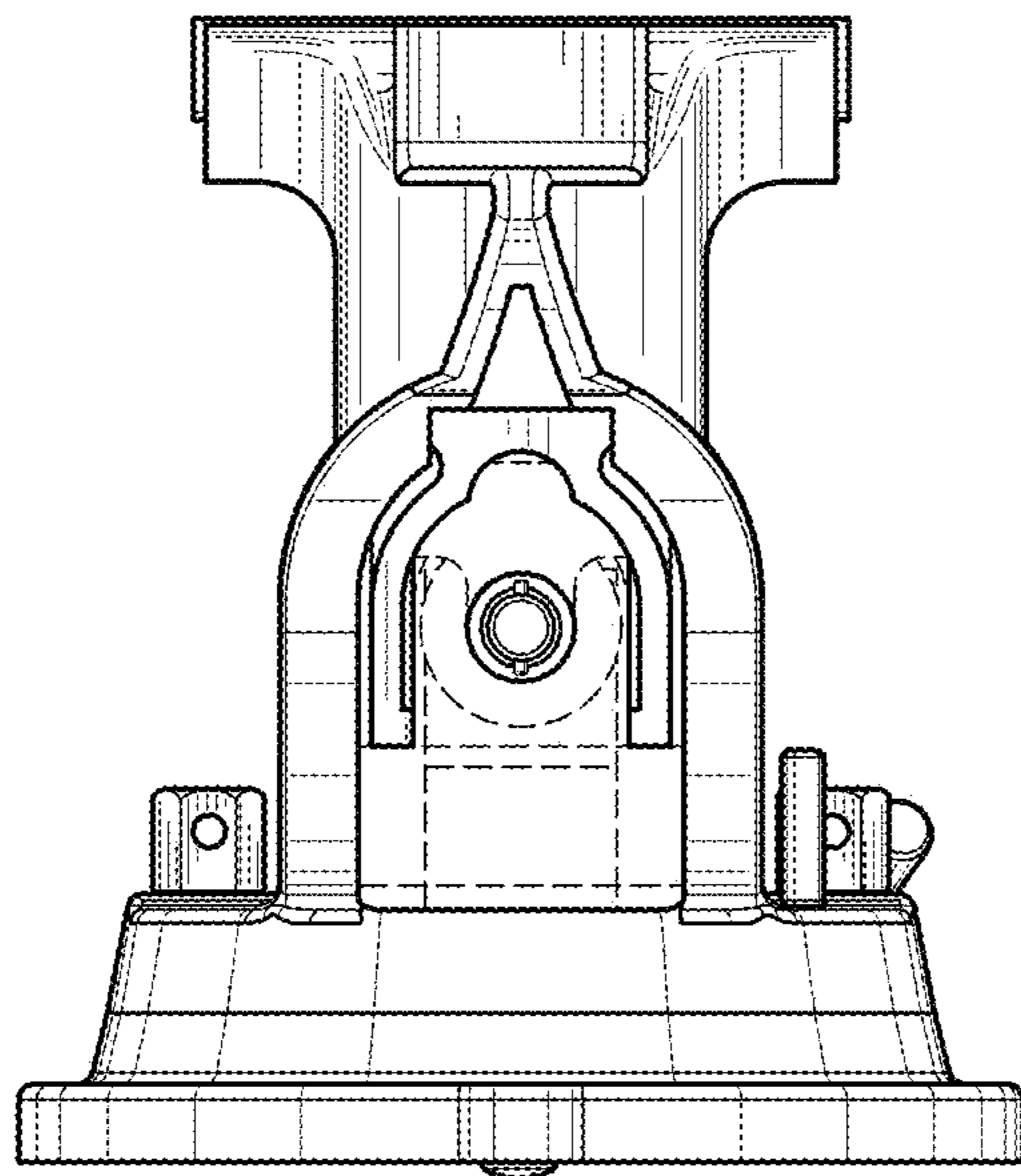


FIG. 5

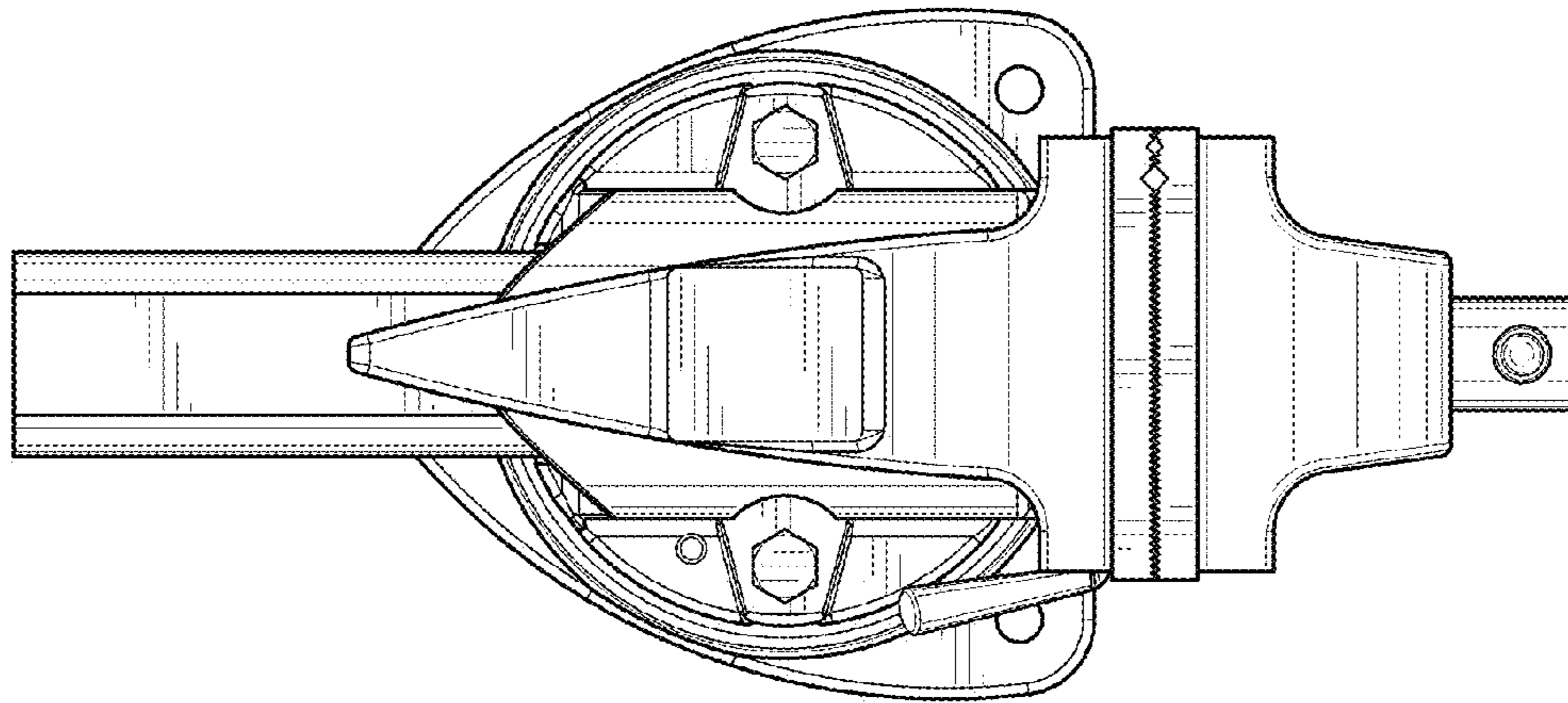


FIG. 6

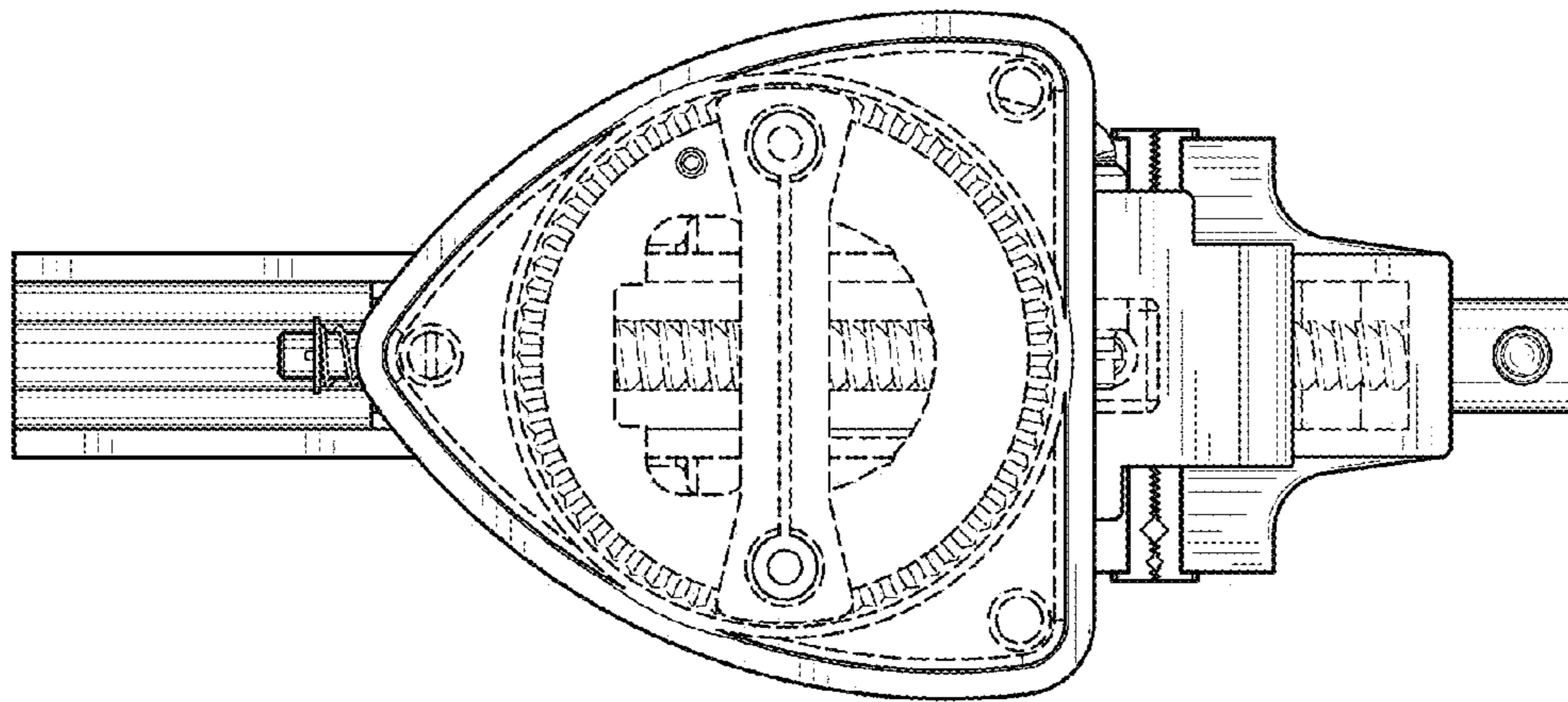


FIG. 7