



US00D705030S

(12) **United States Design Patent**  
**Fukui et al.**

(10) **Patent No.:** **US D705,030 S**

(45) **Date of Patent:** **\*\* May 20, 2014**

(54) **CLAMPING DEVICE**

(71) Applicants: **Chiaki Fukui**, Tsukubamirai (JP); **Youji Takakuwa**, Tsukubamirai (JP); **Kenichi Takeda**, Tsukubamirai (JP)

(72) Inventors: **Chiaki Fukui**, Tsukubamirai (JP); **Youji Takakuwa**, Tsukubamirai (JP); **Kenichi Takeda**, Tsukubamirai (JP)

(73) Assignee: **SMC Corporation**, Chiyoda-ku, Tokyo (JP)

(\*\*) Term: **14 Years**

(21) Appl. No.: **29/469,892**

(22) Filed: **Oct. 15, 2013**

(30) **Foreign Application Priority Data**

Apr. 18, 2013 (JP) ..... 2013-008753

(51) **LOC (10) Cl.** ..... **08-05**

(52) **U.S. Cl.**  
USPC ..... **D8/72**

(58) **Field of Classification Search**  
USPC ..... D8/71-74, 394, 59; 248/72, 689, 124.2; 81/487; 269/3, 4, 6, 143, 165, 240, 269/243, 246-249, 254 R, 147-149; 29/256, 29/257, 276; 408/103, 104-109  
See application file for complete search history.

(56) **References Cited**

**U.S. PATENT DOCUMENTS**

5,676,357 A \* 10/1997 Horn ..... 269/254 R  
D438,441 S \* 3/2001 Nagai et al. .... D8/72  
6,471,199 B2 \* 10/2002 Nagai et al. .... 269/243

6,473,953 B1 \* 11/2002 Portnoff ..... 269/3  
D587,087 S \* 2/2009 Takeda et al. .... D8/72  
D588,431 S \* 3/2009 Fukano et al. .... D8/72  
D590,686 S \* 4/2009 Fukano et al. .... D8/72  
D609,546 S \* 2/2010 Fukano et al. .... D8/72  
7,963,514 B2 \* 6/2011 Li et al. .... 269/61  
8,303,007 B2 \* 11/2012 Fukano et al. .... 269/240  
D694,085 S \* 11/2013 Fukano et al. .... D8/72  
2006/0113720 A1 \* 6/2006 Ferroud Plattet et al. .... 269/32  
2007/0069439 A1 \* 3/2007 McIntosh et al. .... 269/32

\* cited by examiner

*Primary Examiner* — David Muller

(74) *Attorney, Agent, or Firm* — Yokoi & Co., U.S.A., Inc.; Toshiyuki Yokoi

(57) **CLAIM**

The ornamental design for a clamping device, as shown and described.

**DESCRIPTION**

FIG. 1 is a front elevation view of a clamping device showing our new design;  
FIG. 2 is a rear elevation view thereof;  
FIG. 3 is a right side elevation view thereof;  
FIG. 4 is a left side elevation view thereof;  
FIG. 5 is a top plan view thereof;  
FIG. 6 is a bottom plan view thereof;  
FIG. 7 is a top, front and left side perspective view thereof;  
FIG. 8 is a top, rear and right side perspective view thereof;  
and,

FIG. 9 is a top, front and left side perspective view thereof in an alternative position.

The portions of the design shown in broken lines in FIG. 6 are for the purpose of illustrating the environment only and form no part of the claimed design.

**1 Claim, 8 Drawing Sheets**

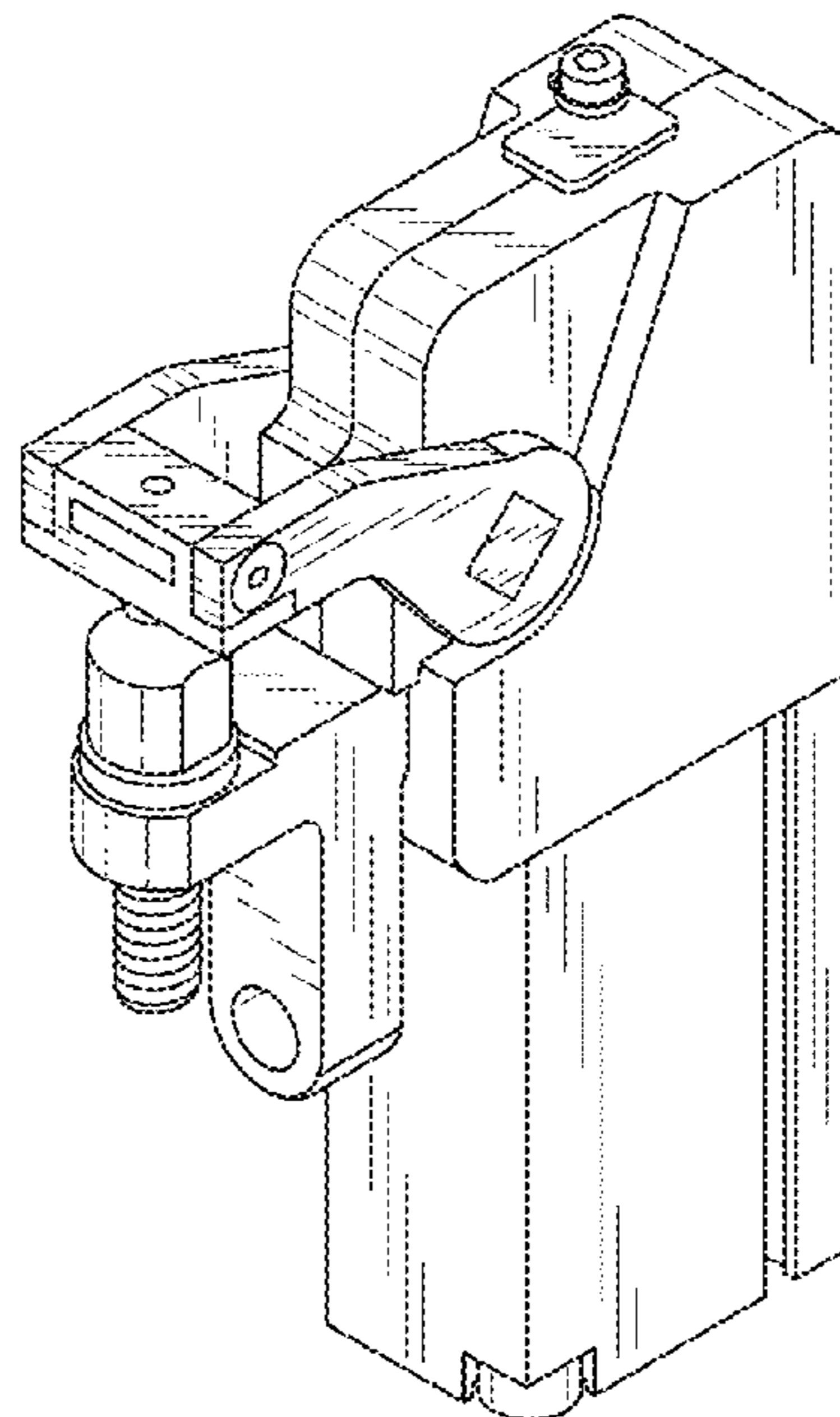


FIG. 1

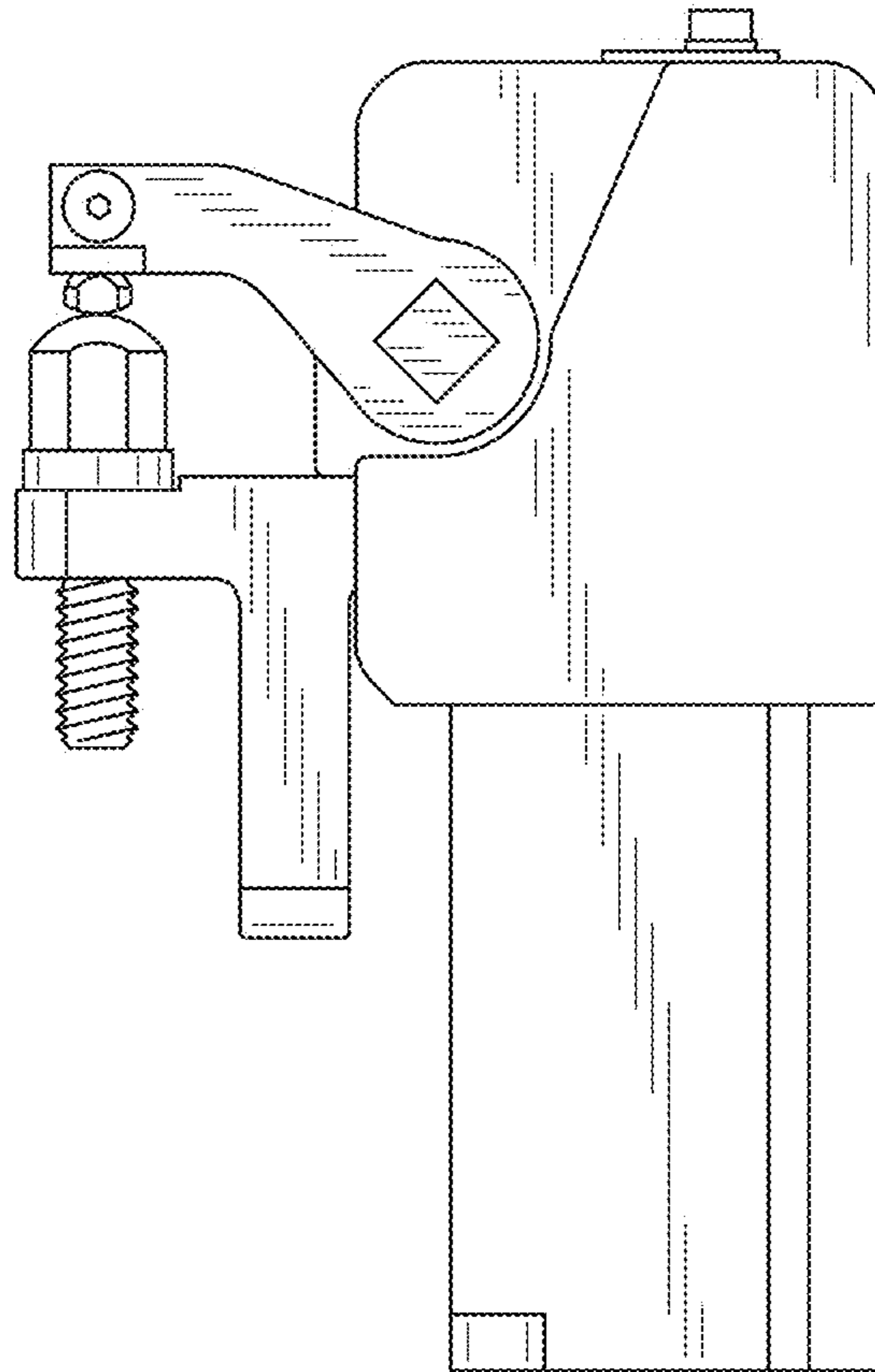


FIG. 2

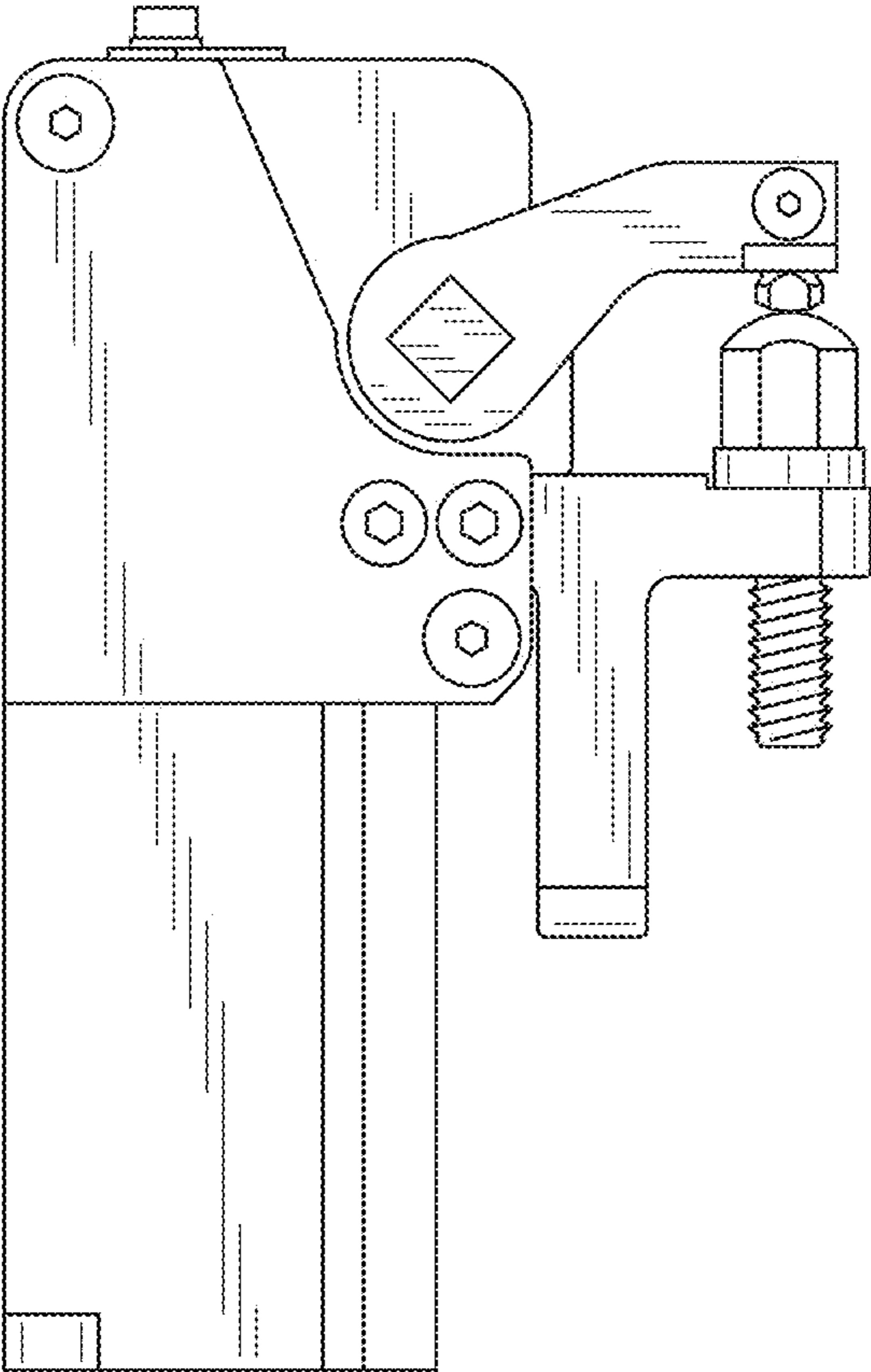


FIG. 3

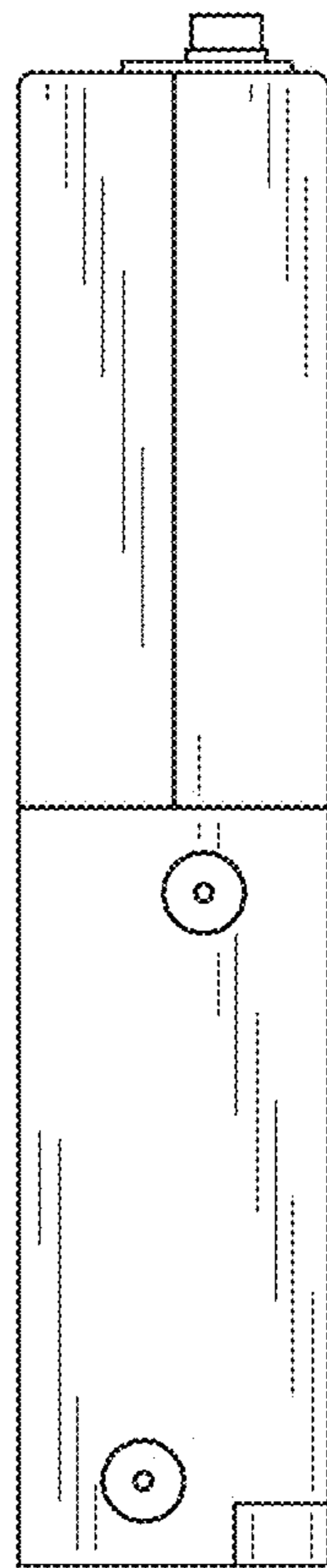


FIG. 4

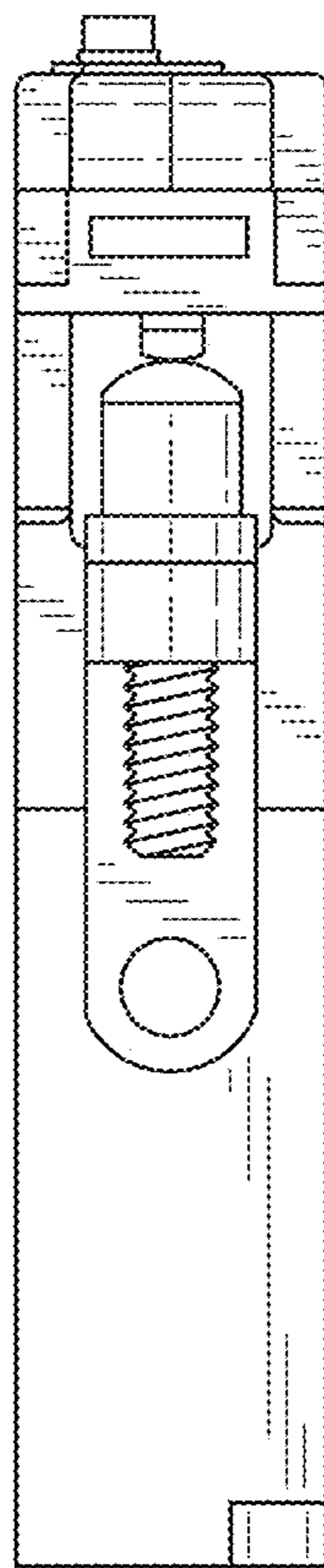


FIG. 5

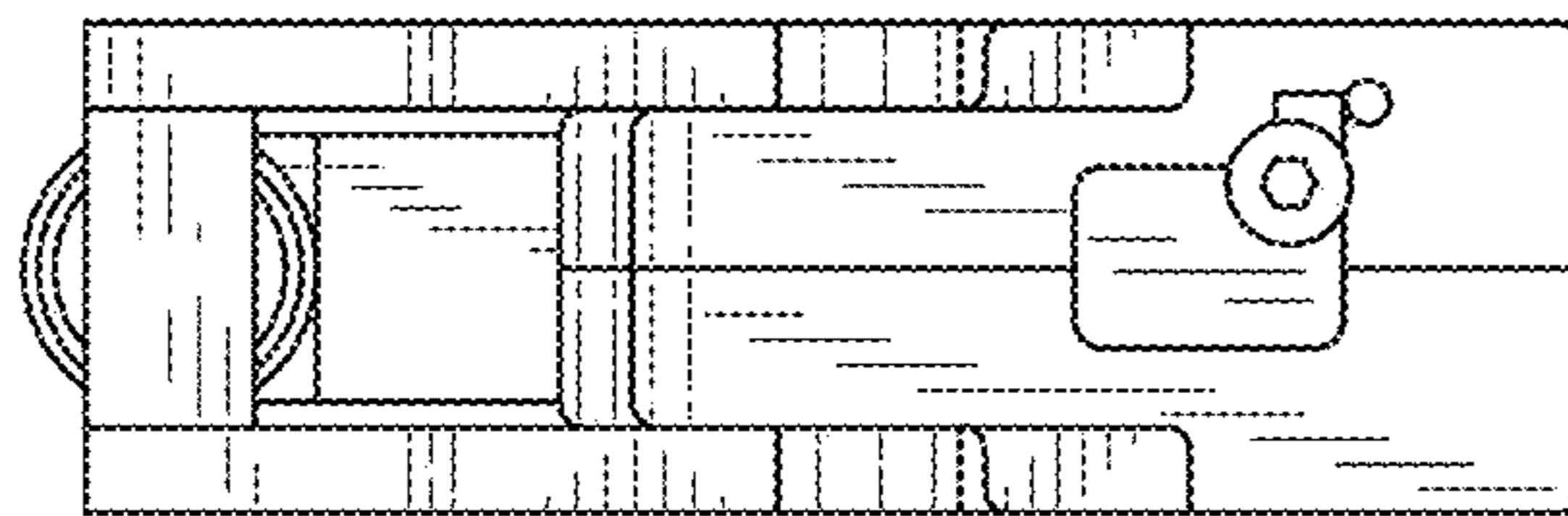


FIG. 6

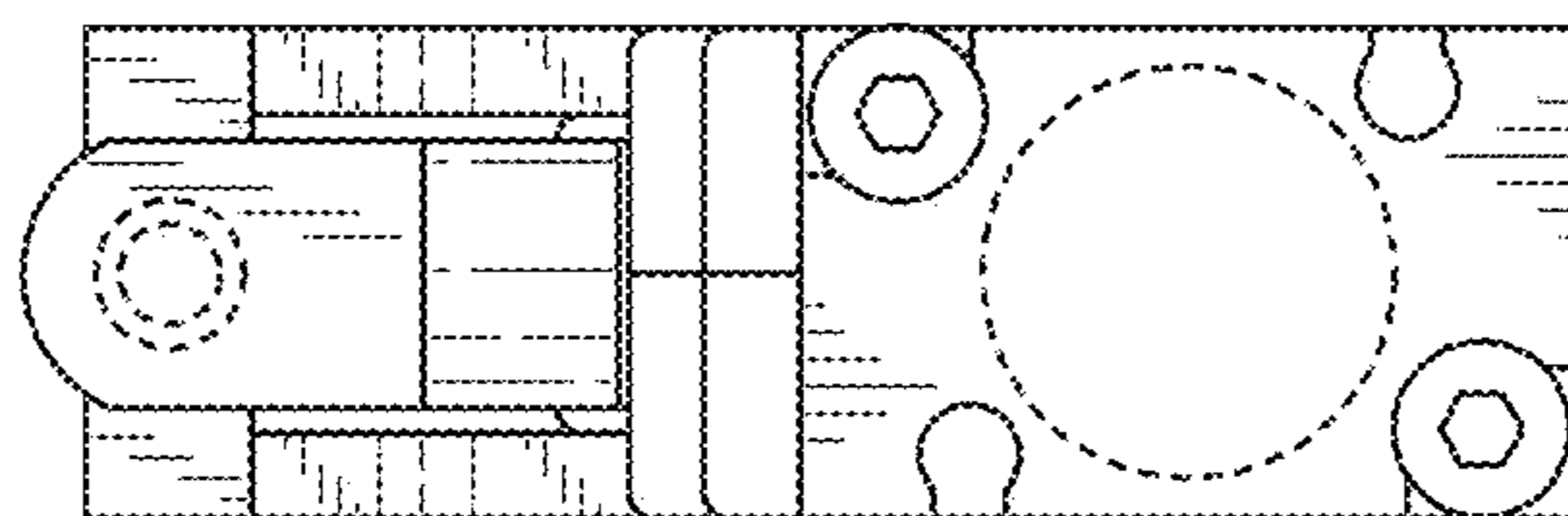


FIG. 7

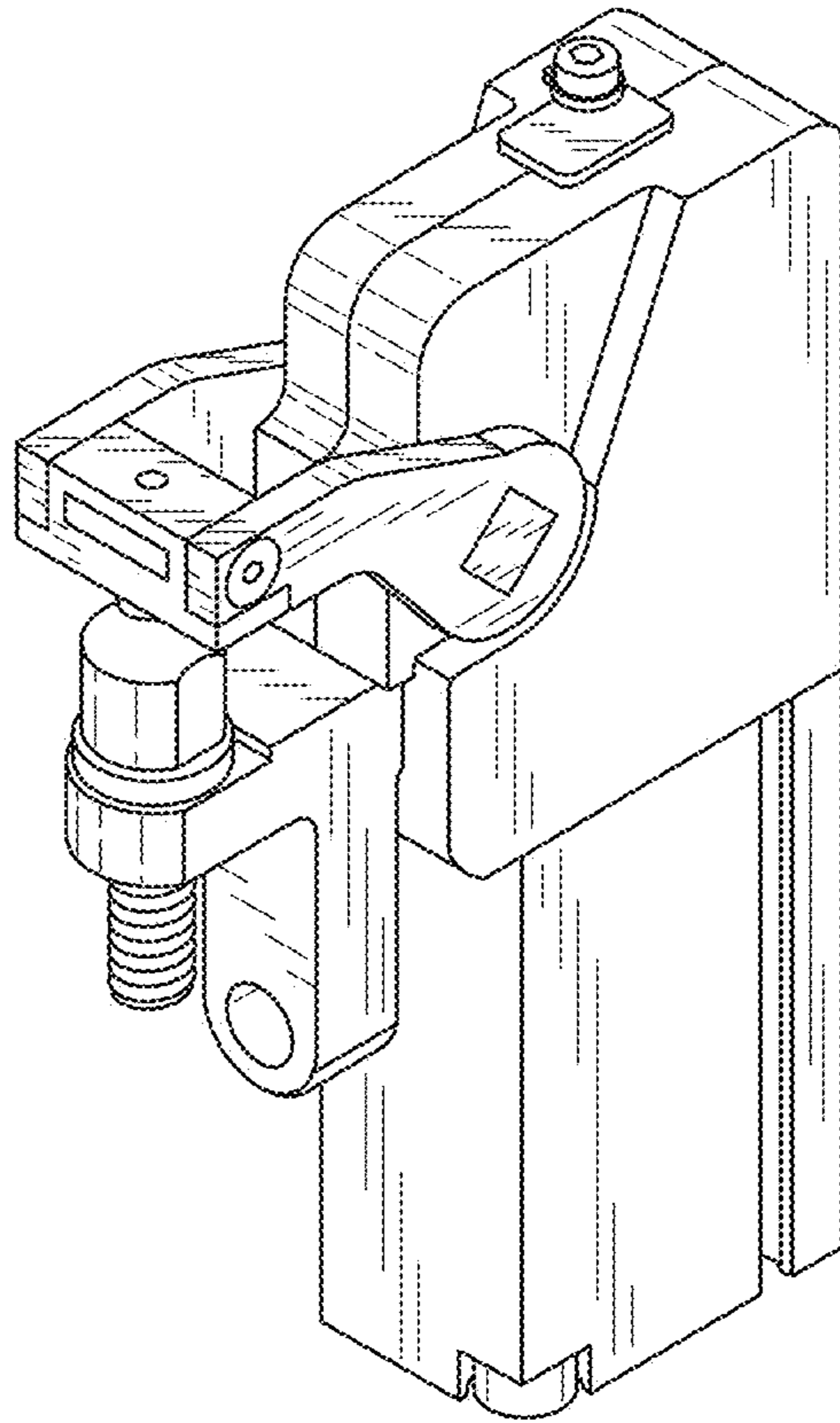




FIG. 8

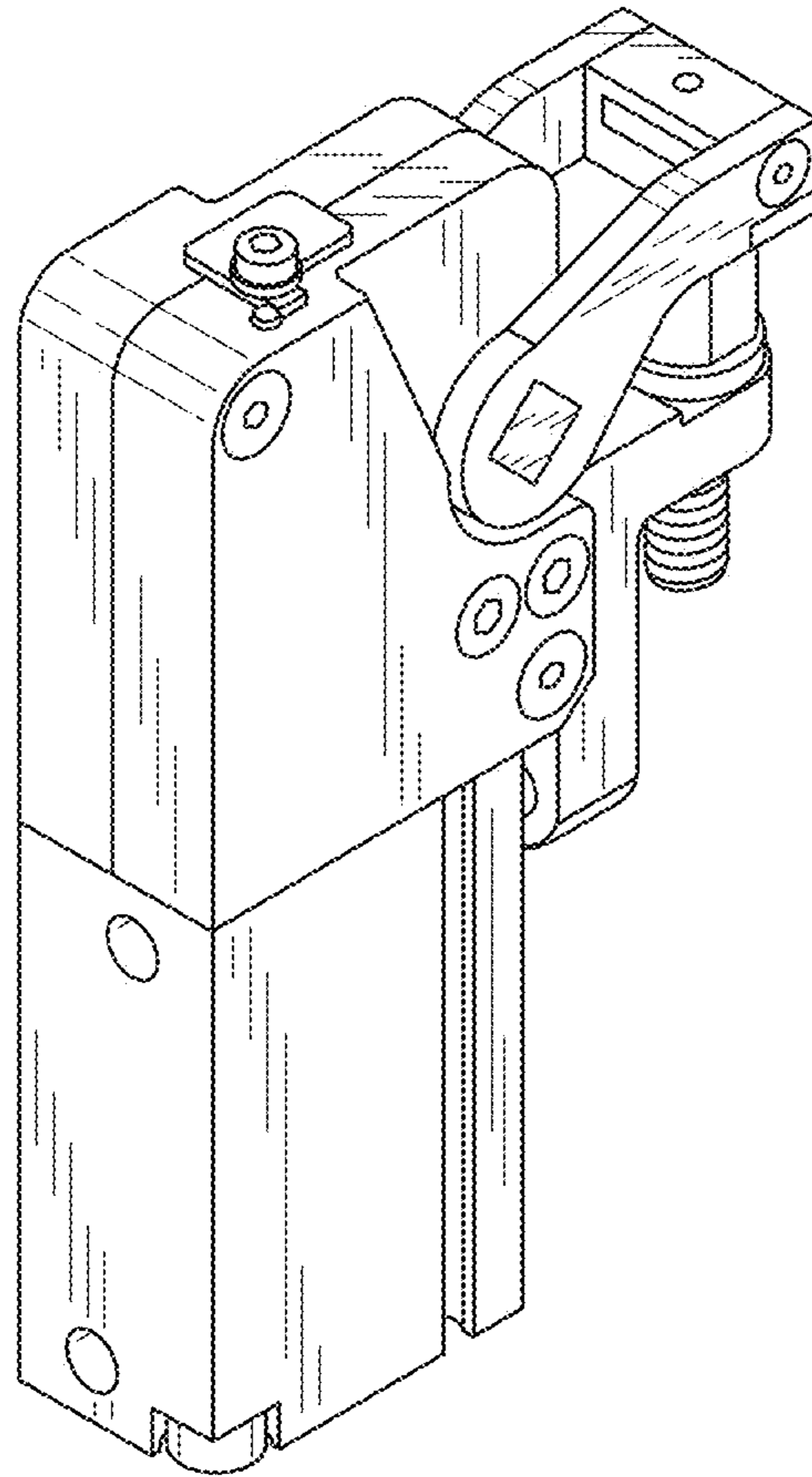




FIG. 9

