



US00D705029S

(12) **United States Design Patent**  
**Gangakhedkar et al.**

(10) **Patent No.:** **US D705,029 S**

(45) **Date of Patent:** **\*\* May 20, 2014**

(54) **ANCHOR POINT CLAMP**

(75) Inventors: **Dhananjay B. Gangakhedkar**,  
Twinsburg, OH (US); **Matthew**  
**Romanak**, Garfield Heights, OH (US);  
**Curt Geideman**, Strongsville, OH (US)

(73) Assignee: **Cequent Consumer Products, Inc.**,  
Solon, OH (US)

(\*\*) Term: **14 Years**

(21) Appl. No.: **29/404,041**

(22) Filed: **Oct. 14, 2011**

(51) **LOC (10) Cl.** ..... **08-05**

(52) **U.S. Cl.**  
USPC ..... **D8/72**

(58) **Field of Classification Search**  
USPC ..... D8/71-74, 394, 59; 248/62, 63, 72,  
248/74.1, 689, 124.2; 81/487; 269/3, 4, 6,  
269/143, 165, 240, 243, 246-249, 254 R,  
269/147-149; 29/256, 257, 276; D15/140;  
408/103, 104-109; D6/400

See application file for complete search history.

(56) **References Cited**

**U.S. PATENT DOCUMENTS**

D332,562 S *	1/1993	Fremont et al. ....	D8/73
D337,934 S *	8/1993	Young .....	D8/73
D340,018 S *	10/1993	Yoder .....	D8/72
D391,150 S *	2/1998	Anderson .....	D8/394
D393,998 S *	5/1998	Anderson .....	D8/394
D421,214 S *	2/2000	Koros et al. ....	D8/394
6,039,520 A	3/2000	Cheng	

D435,771 S *	1/2001	Miller .....	D8/73
D443,493 S *	6/2001	Skeem .....	D8/72
D454,479 S *	3/2002	Kolpin .....	D8/72
D484,399 S *	12/2003	Arthur .....	D8/72
D516,891 S *	3/2006	Thomas .....	D8/71
7,080,966 B2	7/2006	Roh	
D568,135 S *	5/2008	Pribyl et al. ....	D8/73
D651,884 S *	1/2012	Jansson et al. ....	D8/71

**OTHER PUBLICATIONS**

The Hooker—A Universal Truck Bed Hook, <http://thehooker.biz/>, p. 1; Feb. 25, 2010.

\* cited by examiner

*Primary Examiner* — David Muller

(74) *Attorney, Agent, or Firm* — McDonald Hopkins LLC

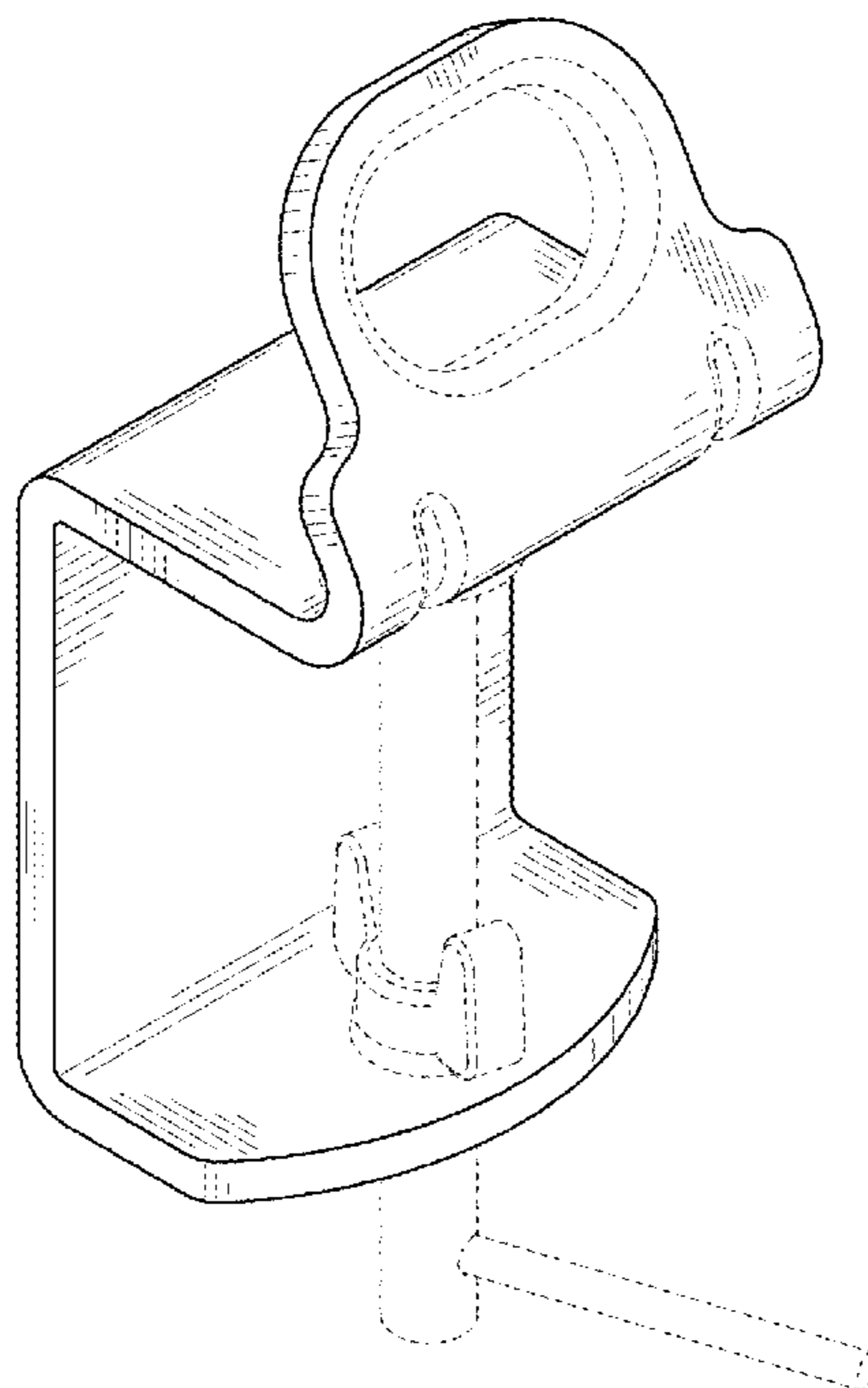
(57) **CLAIM**

The ornamental design of an anchor point clamp, as shown and described.

**DESCRIPTION**

FIG. 1 is a rear perspective view of an anchor point clamp showing our new design;  
FIG. 2 is a front perspective view thereof;  
FIG. 3 is a rear elevation view thereof;  
FIG. 4 is a front elevation view thereof;  
FIG. 5 is a first side elevation view thereof;  
FIG. 6 is a second side elevation view thereof;  
FIG. 7 is a top plan view thereof; and,  
FIG. 8 is a bottom plan view thereof.  
The features shown in broken lines in the drawing figures depict environmental subject matter only and form no part of the claimed design.

**1 Claim, 3 Drawing Sheets**



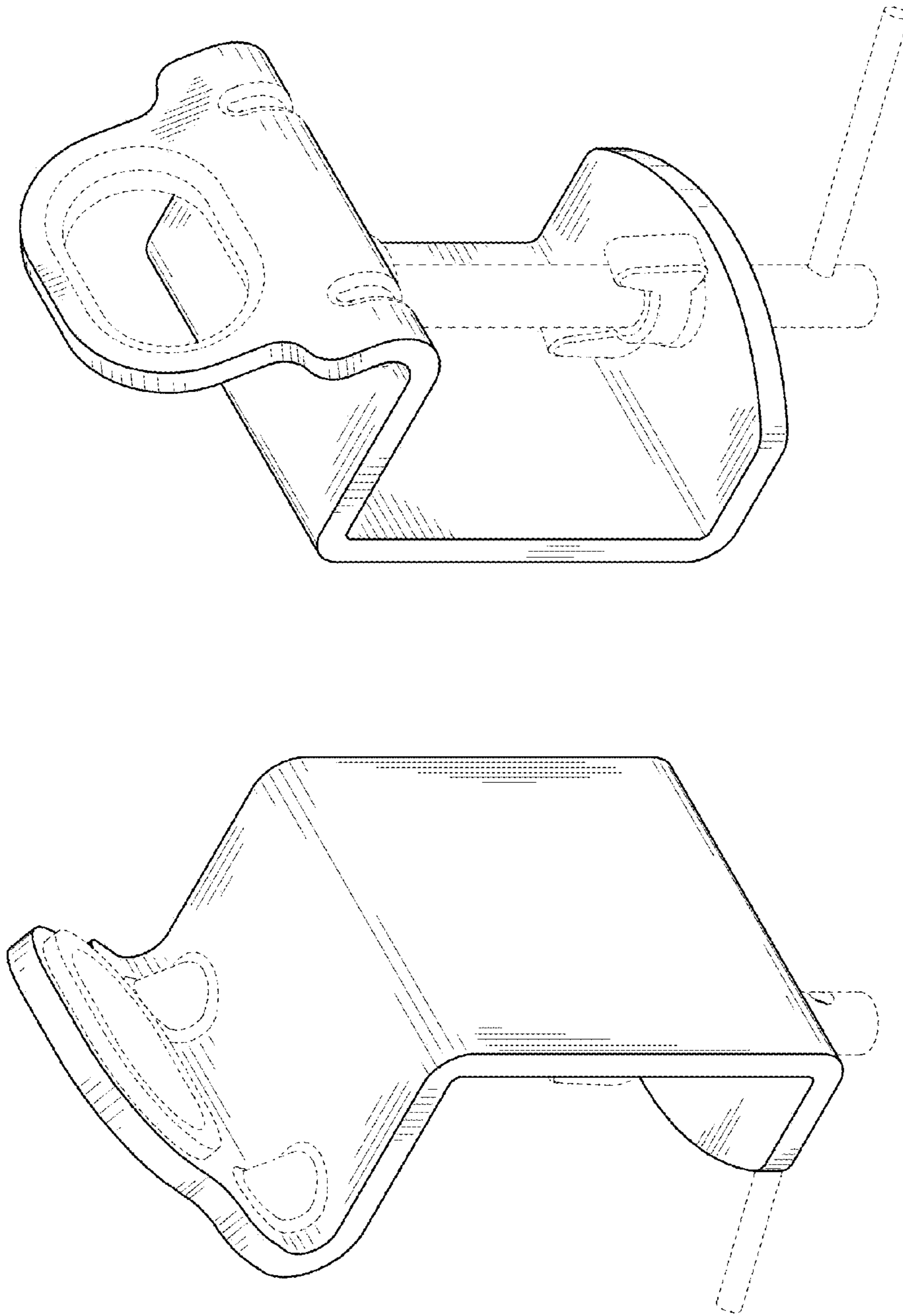


Fig. 2

Fig. 1

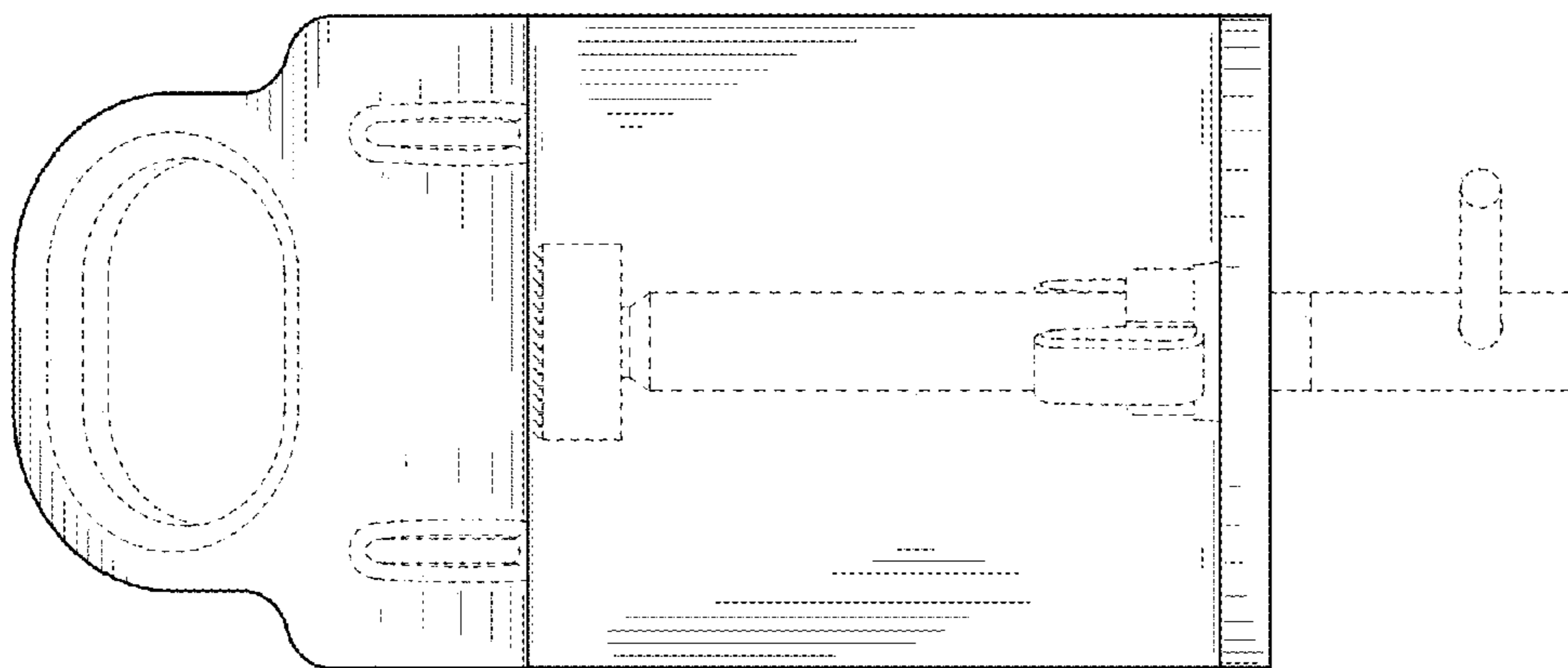


Fig. 3

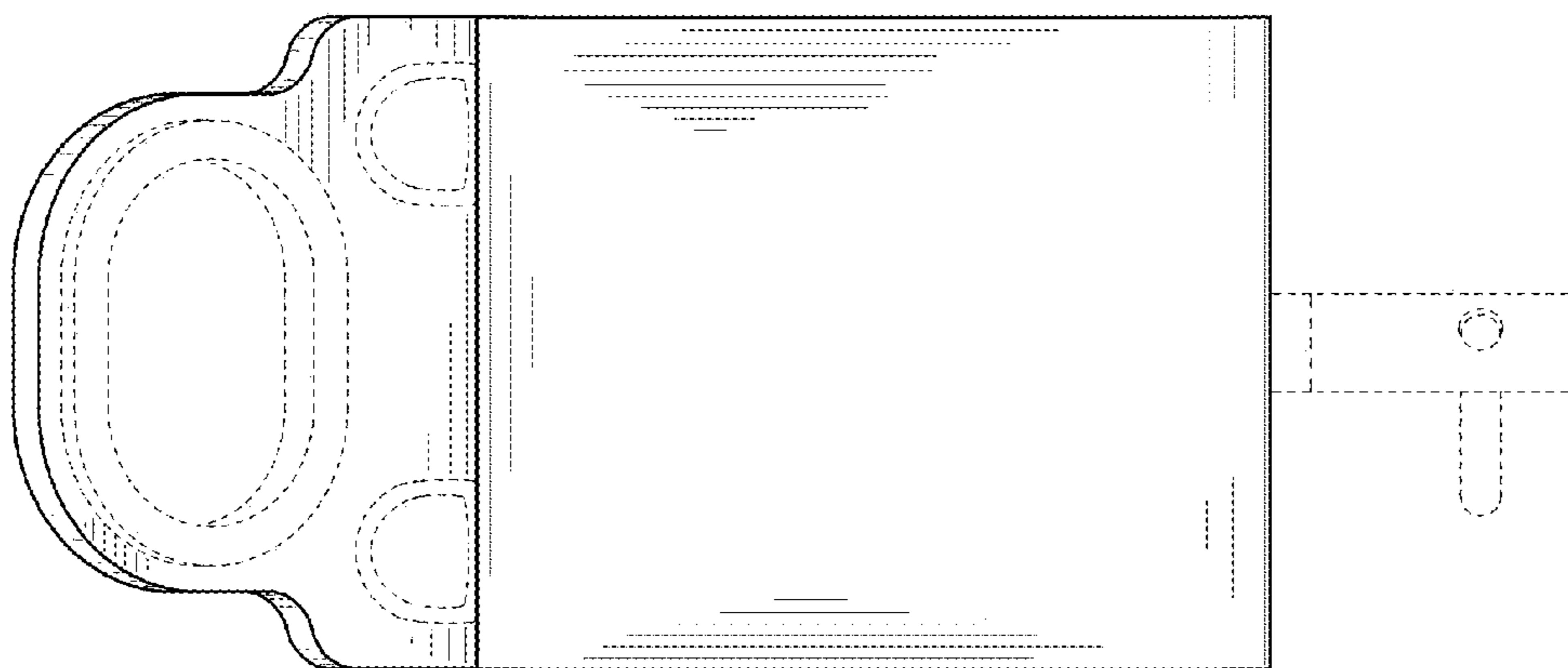


Fig. 4

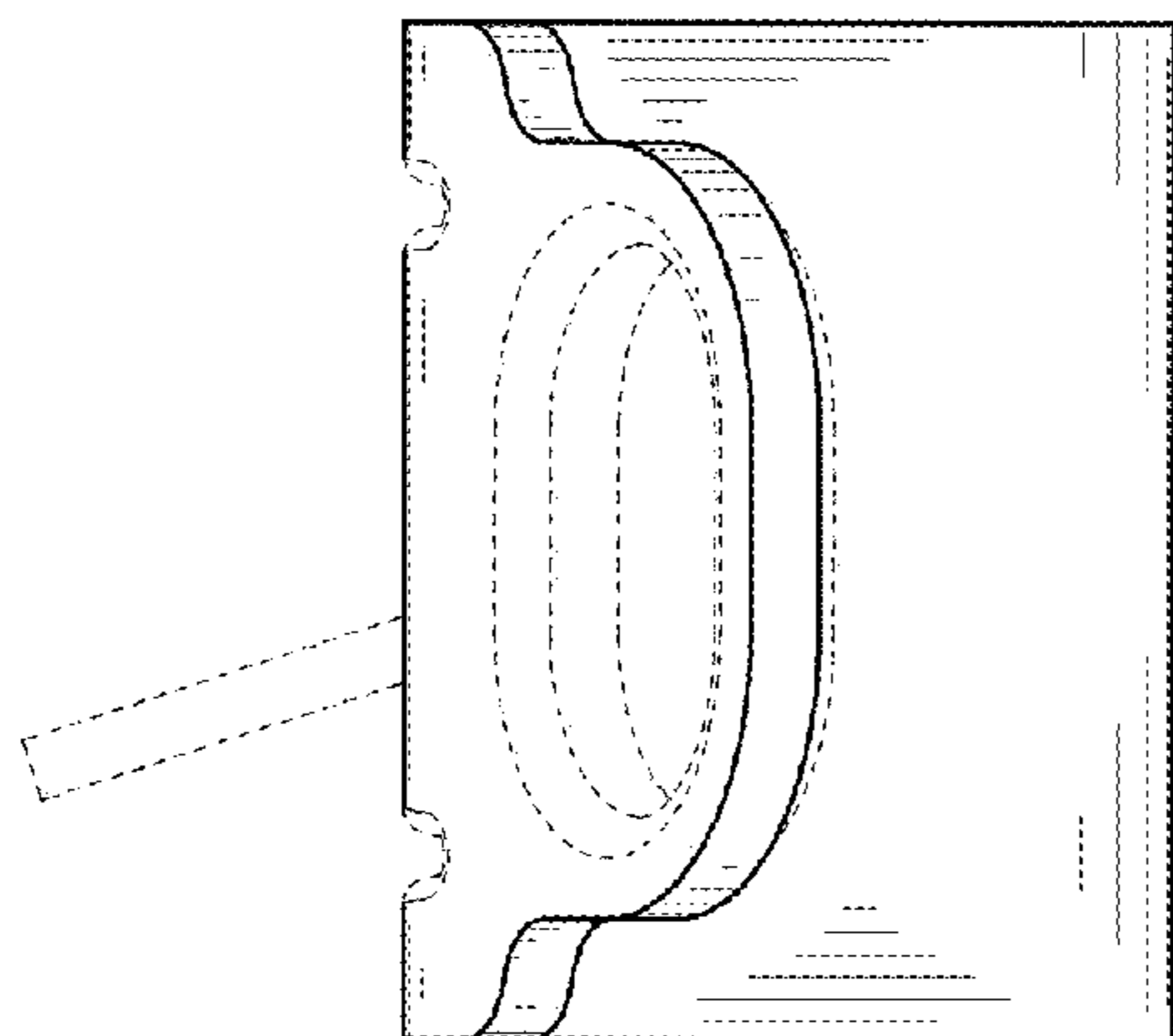


Fig. 7

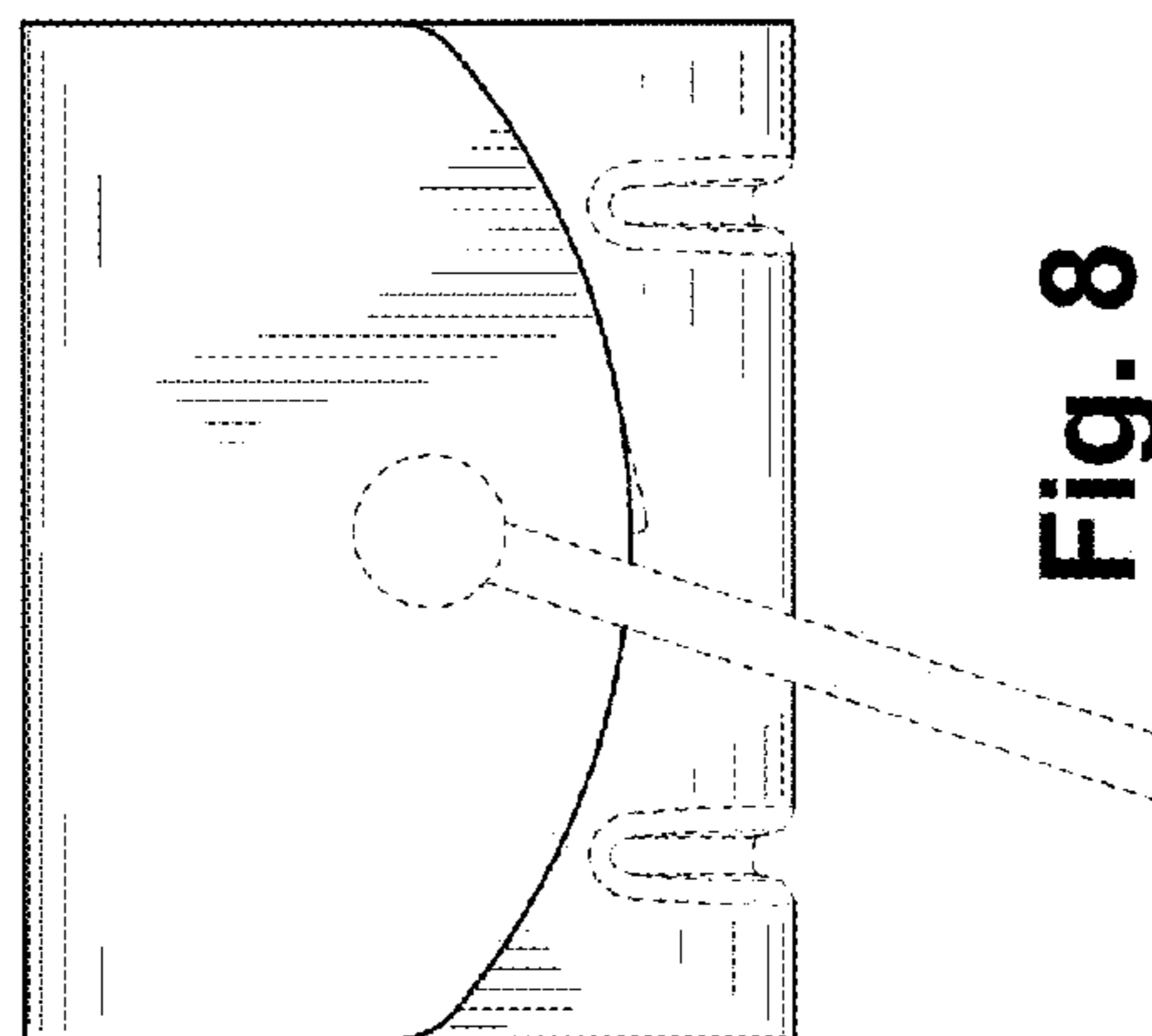


Fig. 8

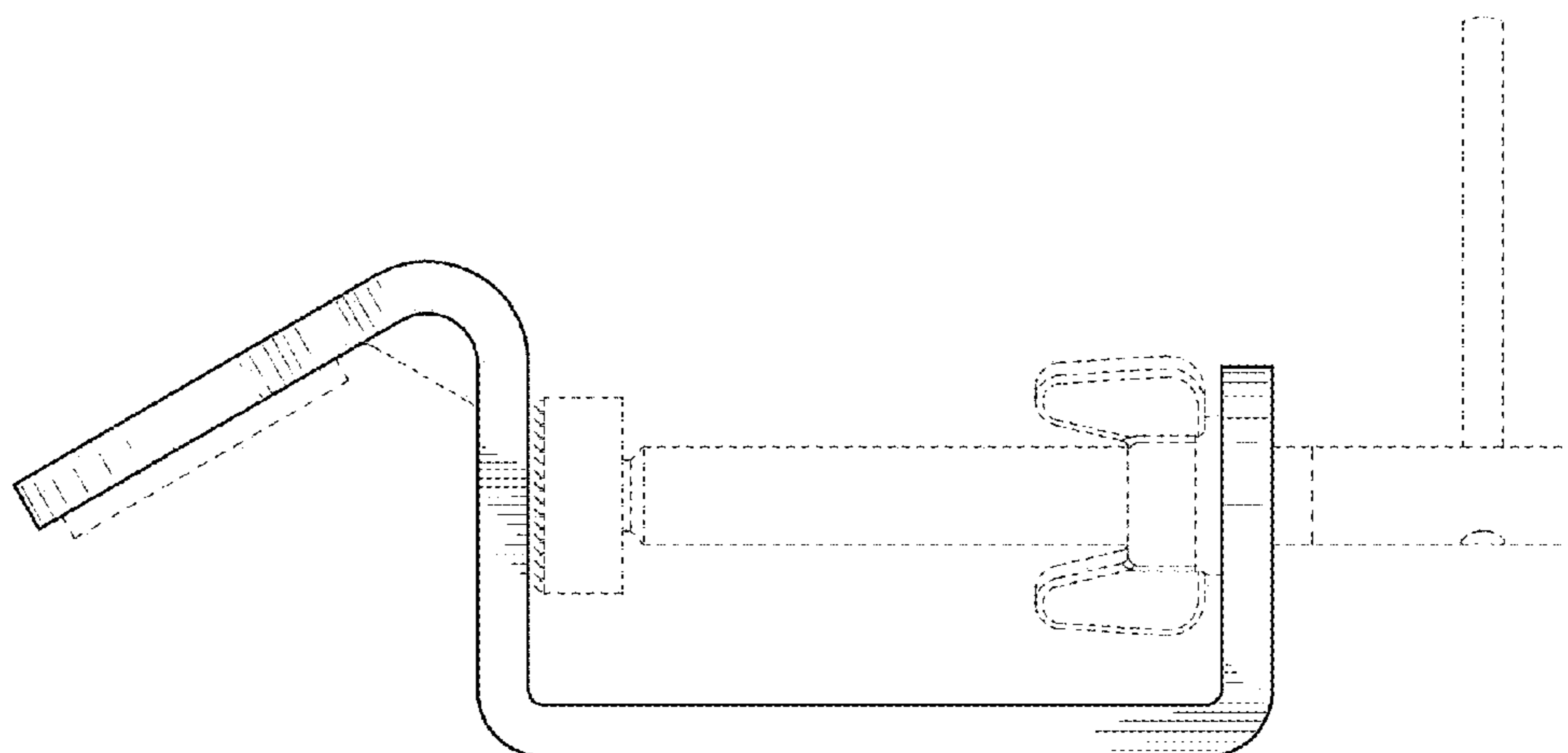


Fig. 6

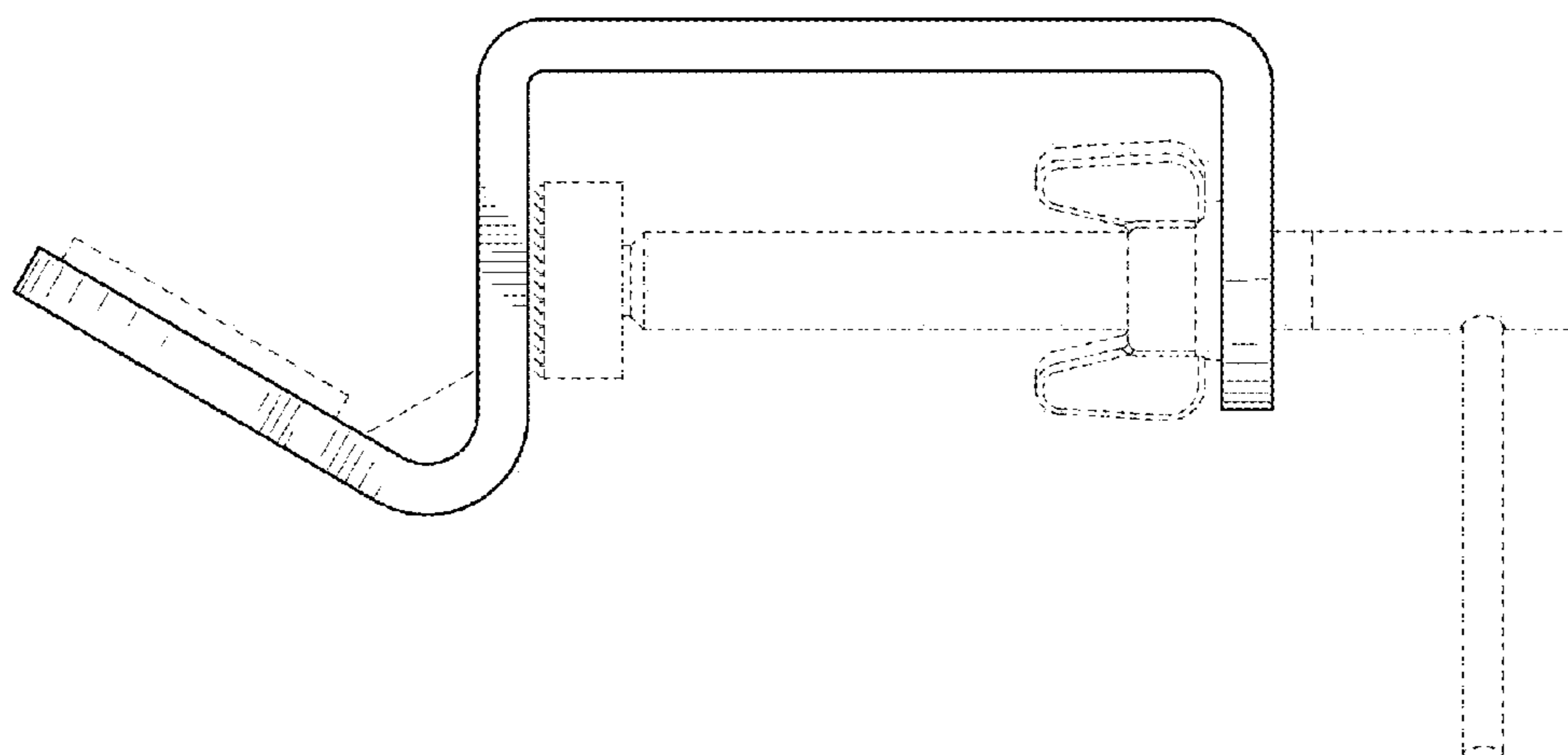


Fig. 5