



US00D705028S

(12) **United States Design Patent**
Vitantonio et al.

(10) **Patent No.:** **US D705,028 S**

(45) **Date of Patent:** **** May 20, 2014**

- (54) **RECIPROCATING SAW**
- (71) Applicant: **Infusion Brands, Inc.**, Clearwater, FL (US)
- (72) Inventors: **Marc Vitantonio**, South Russell, OH (US); **Donald C. Fuchs, Jr.**, Mentor, OH (US); **Trevor Jackson**, Kirtland, OH (US); **Robert Soreo**, Cleveland Heights, OH (US); **John Nottingham**, Bratenahl, OH (US); **John Spirk**, Gates Mills, OH (US)
- (73) Assignee: **Infusion Brands, Inc.**, Clearwater, FL (US)

D524,130	S	*	7/2006	Wolf et al.	D8/64
D524,132	S	*	7/2006	Welsh	D8/64
D525,845	S	*	8/2006	Welsh	D8/64
D527,596	S	*	9/2006	Andriolo	D8/64
D527,597	S	*	9/2006	Andriolo	D8/64
D534,778	S	*	1/2007	Chu	D8/64
D545,657	S	*	7/2007	Yamamoto et al.	D8/64
D551,046	S	*	9/2007	Yamamoto et al.	D8/64
D551,930	S	*	10/2007	Yamada et al.	D8/64
D558,018	S	*	12/2007	McRoberts et al.	D8/64
D591,574	S	*	5/2009	DiPasquale et al.	D8/64
D596,005	S	*	7/2009	Schoch	D8/64
8,166,660	B2	*	5/2012	Zhou	30/393
8,307,910	B2	*	11/2012	Holmes et al.	173/19
D685,242	S	*	7/2013	Vitantonio et al.	D8/64
D688,928	S	*	9/2013	Busschaert	D8/64
2004/0098870	A1	*	5/2004	Nemazi et al.	30/392

* cited by examiner

(**) Term: **14 Years**

Primary Examiner — Austin Murphy

(21) Appl. No.: **29/467,220**

(74) *Attorney, Agent, or Firm* — Fay Sharpe LLP

(22) Filed: **Sep. 17, 2013**

(57) **CLAIM**

(51) **LOC (10) Cl.** **08-03**

The ornamental design for a reciprocating saw, as shown and described.

(52) **U.S. Cl.**
USPC **D8/64**

DESCRIPTION

(58) **Field of Classification Search**
USPC D8/69, 68, 67, 66, 65, 64, 62, 61;
30/92, 394, 393, 392, 377, 376, 371;
74/50, 49; 173/217, 216; 83/699.21;
446/145

FIG. 1 is a top view of a reciprocating saw showing my new design;
FIG. 2 is bottom view of the reciprocating saw of FIG. 1;
FIG. 3 is a front end view of the reciprocating saw of FIG. 1;
FIG. 4 is a back end view of the reciprocating saw of FIG. 1;
FIG. 5 is a side plan view of the reciprocating saw of FIG. 1;
and,
FIG. 6 is an opposite side plan view of the reciprocating saw of FIG. 1.

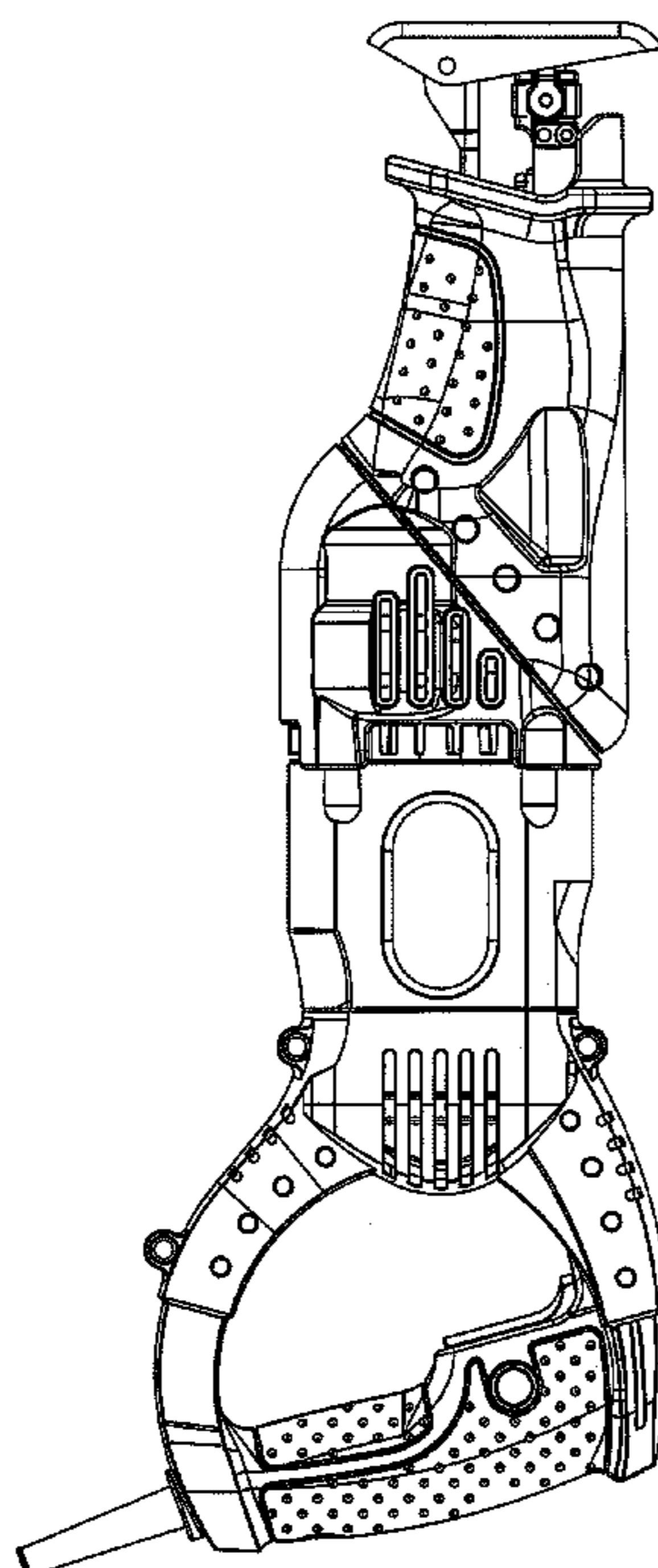
See application file for complete search history.

(56) **References Cited**

U.S. PATENT DOCUMENTS

D504,603	S	*	5/2005	Xiaoxian	D8/64
6,912,790	B2	*	7/2005	James et al.	30/392

1 Claim, 6 Drawing Sheets



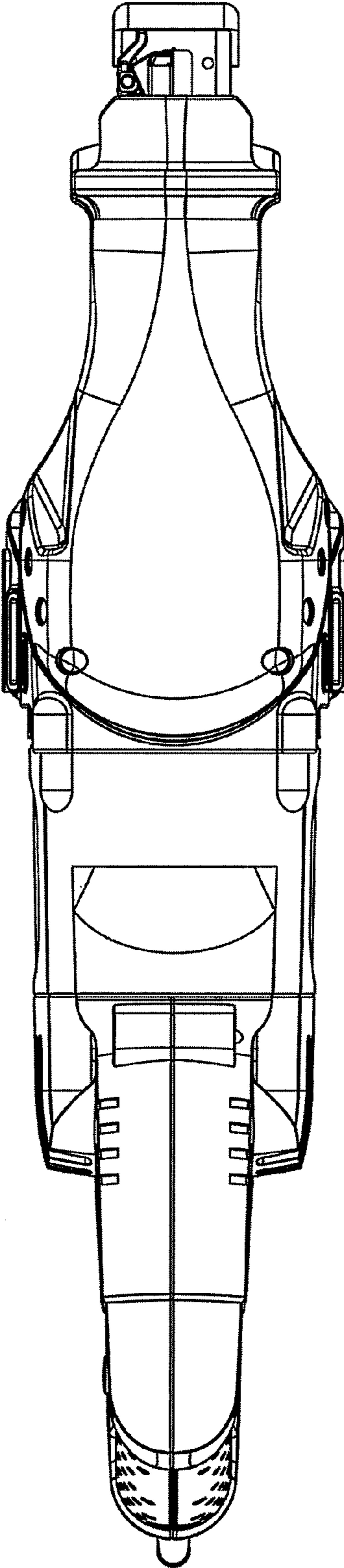


Fig. 1

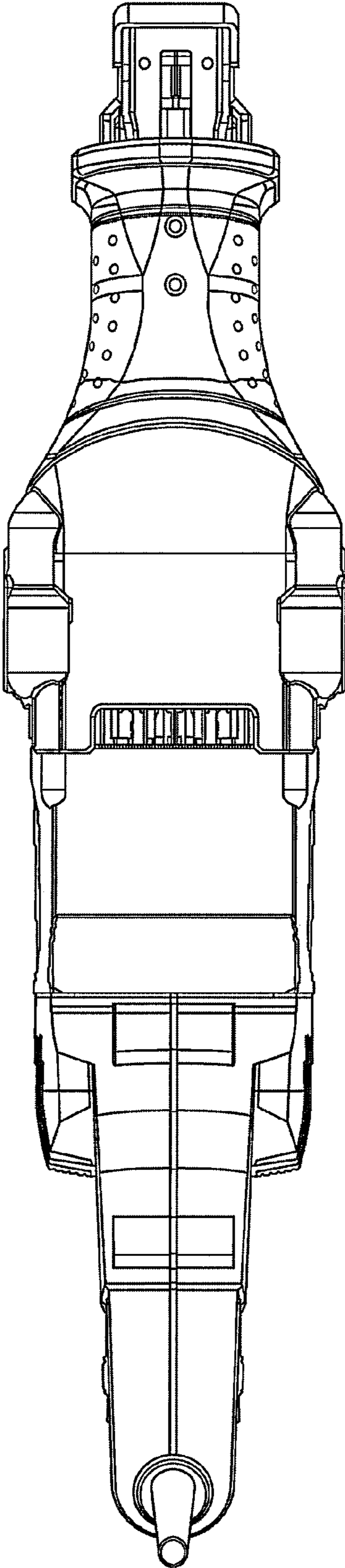


Fig. 2

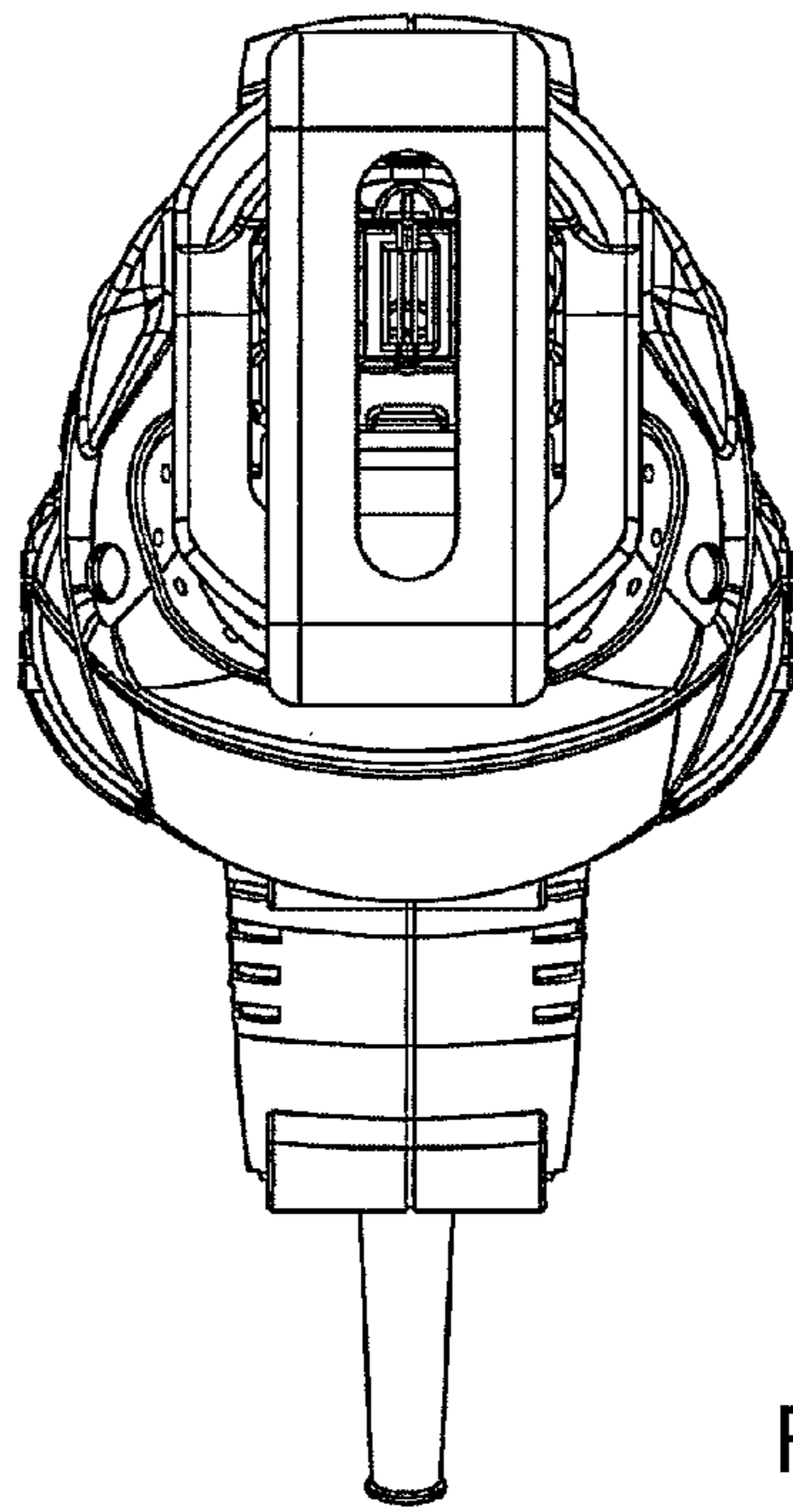


Fig. 3

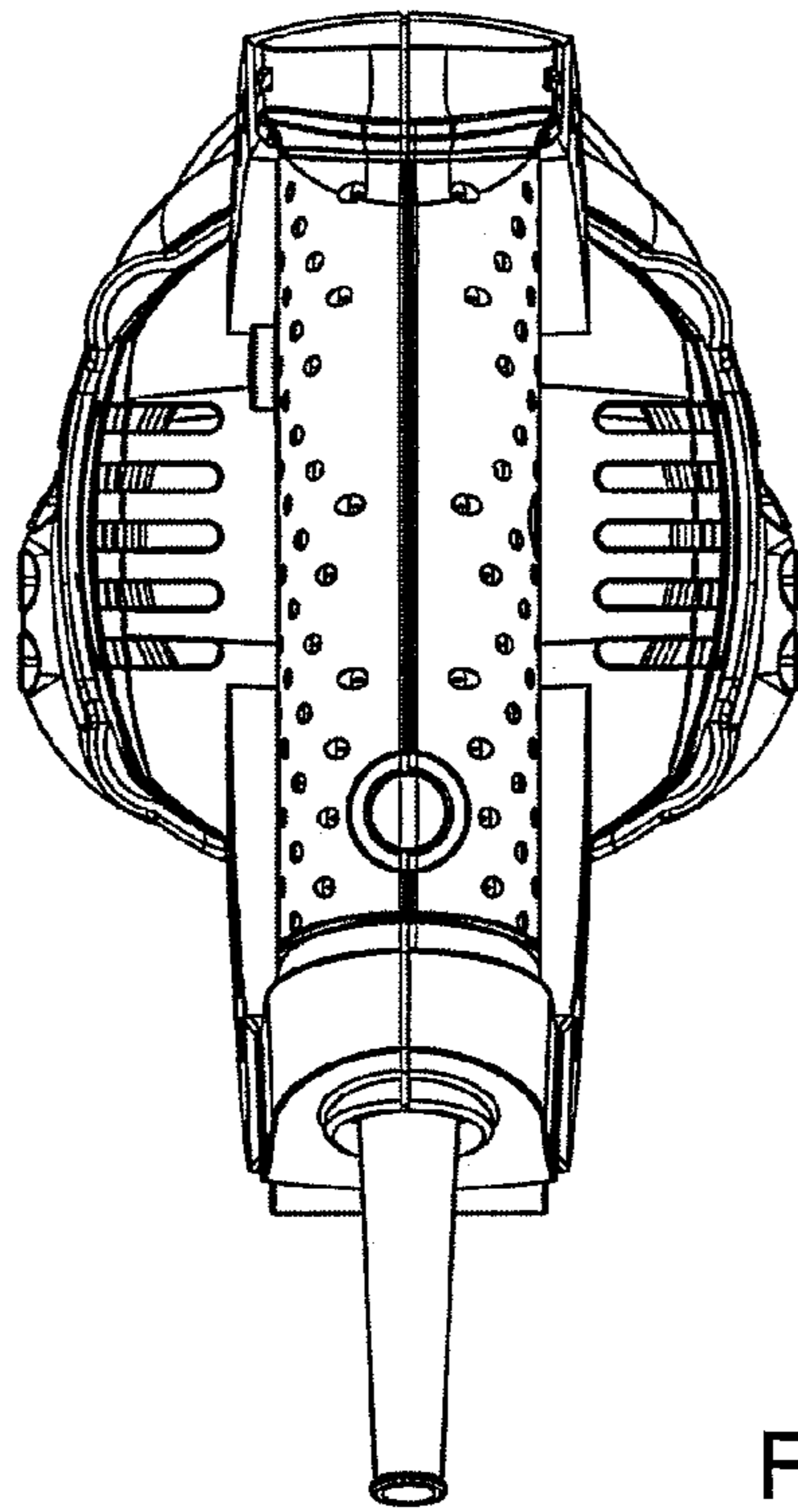


Fig. 4

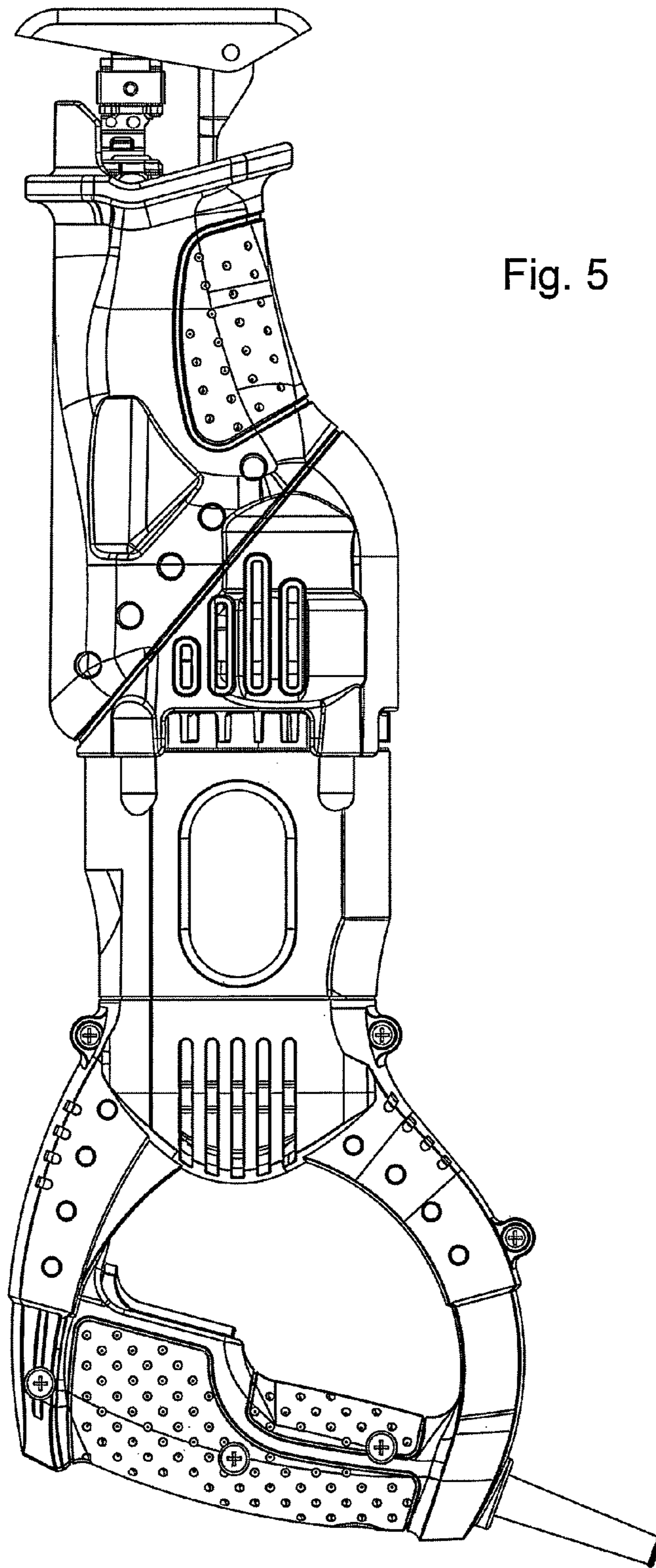


Fig. 6

