



US00D705027S

(12) **United States Design Patent**
Vitantonio et al.

(10) **Patent No.:** **US D705,027 S**

(45) **Date of Patent:** **** May 20, 2014**

(54) **OSCILLATING SAW**

(71) Applicant: **Infusion Brands, Inc.**, Clearwater, FL
(US)

(72) Inventors: **Marc Vitantonio**, South Russell, OH
(US); **Donald C. Fuchs, Jr.**, Mentor, OH
(US); **Trevor Jackson**, Kirtland, OH
(US); **Robert Soreo**, Cleveland Heights,
OH (US); **John Nottingham**, Bratenahl,
OH (US); **John Spirk**, Gates Mills, OH
(US)

(73) Assignee: **Infusion Brands, Inc.**, Clearwater, FL
(US)

(**) Term: **14 Years**

(21) Appl. No.: **29/467,218**

(22) Filed: **Sep. 17, 2013**

(51) **LOC (10) Cl.** **08-01**

(52) **U.S. Cl.**
USPC **D8/64**

(58) **Field of Classification Search**
USPC D8/61, 62, 67, 69; 81/57, 57.11, 57.14,
81/57.26, 429, 464, 469; 173/2, 170, 176,
173/181
See application file for complete search history.

(56) **References Cited**

U.S. PATENT DOCUMENTS

D602,756 S * 10/2009 Henssler et al. D8/61
D647,771 S * 11/2011 Schoch et al. D8/61

D650,254 S * 12/2011 Schoch D8/61
D662,800 S * 7/2012 Blythe et al. D8/61
D663,181 S * 7/2012 Zhou et al. D8/61
8,397,834 B2 * 3/2013 Hellig et al. 173/162.1
D683,202 S * 5/2013 Aglassinger D8/61
D696,916 S * 1/2014 Takahashi et al. D8/61

* cited by examiner

Primary Examiner — Austin Murphy

(74) *Attorney, Agent, or Firm* — Fay Sharpe LLP

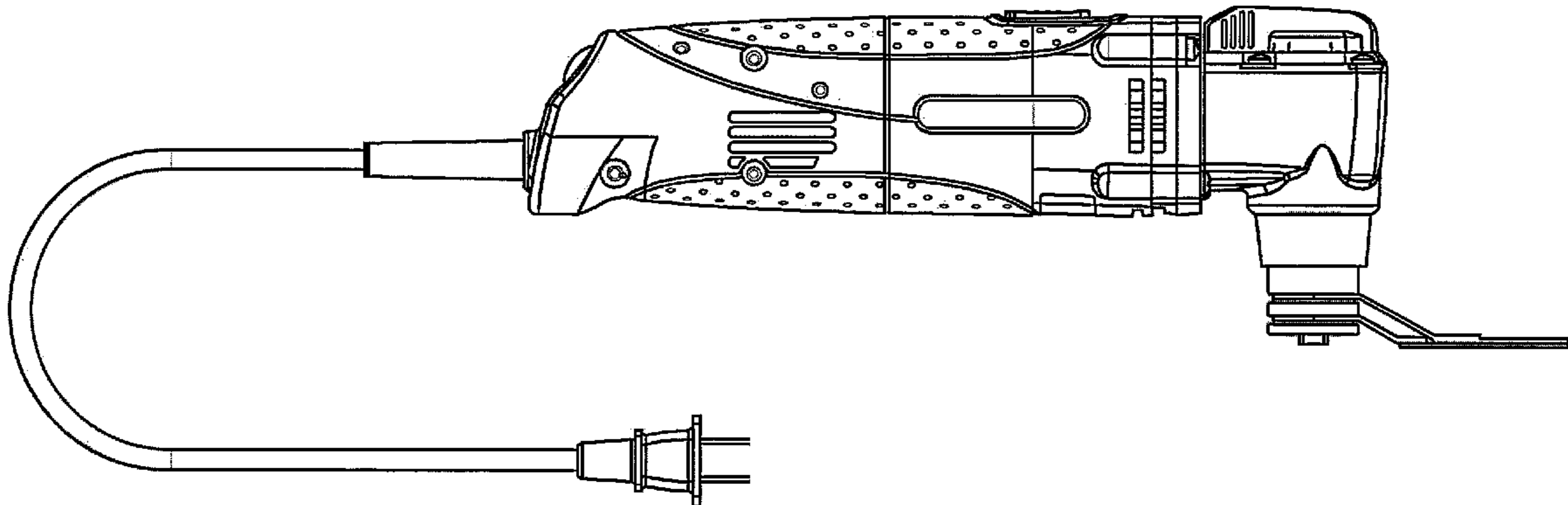
(57) **CLAIM**

The ornamental design for a oscillating saw, as shown and described.

DESCRIPTION

FIG. 1 is a top view of a oscillating saw showing my new design;
FIG. 2 is bottom view of the oscillating saw of FIG. 1;
FIG. 3 is a front end view of the oscillating saw of FIG. 1;
FIG. 4 is a back end view of the oscillating saw of FIG. 1;
FIG. 5 is a side plan view of the oscillating saw of FIG. 1; and,
FIG. 6 is an opposite side plan view of the oscillating saw of FIG. 1.

1 Claim, 6 Drawing Sheets



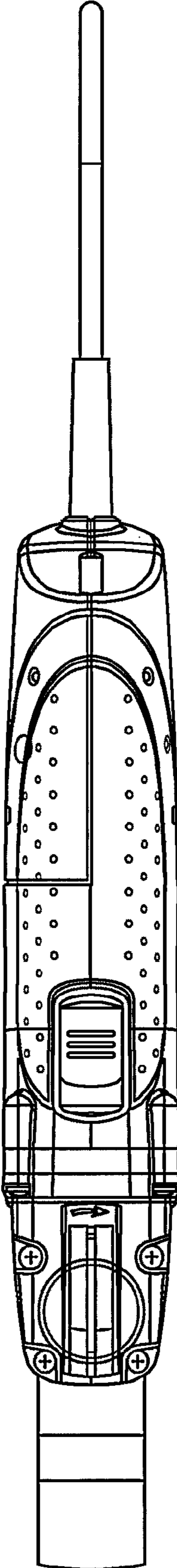


Fig. 1

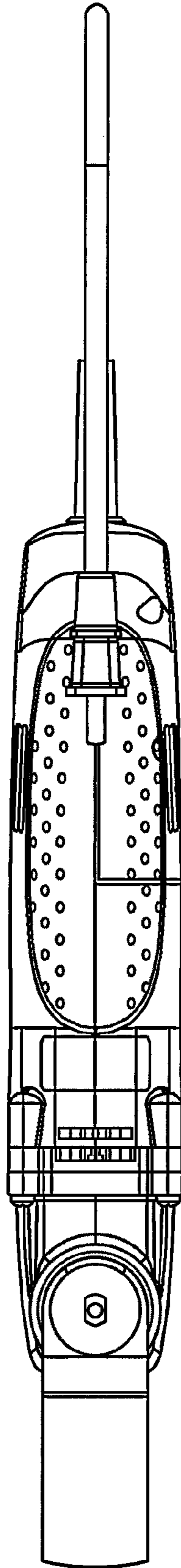


Fig. 2

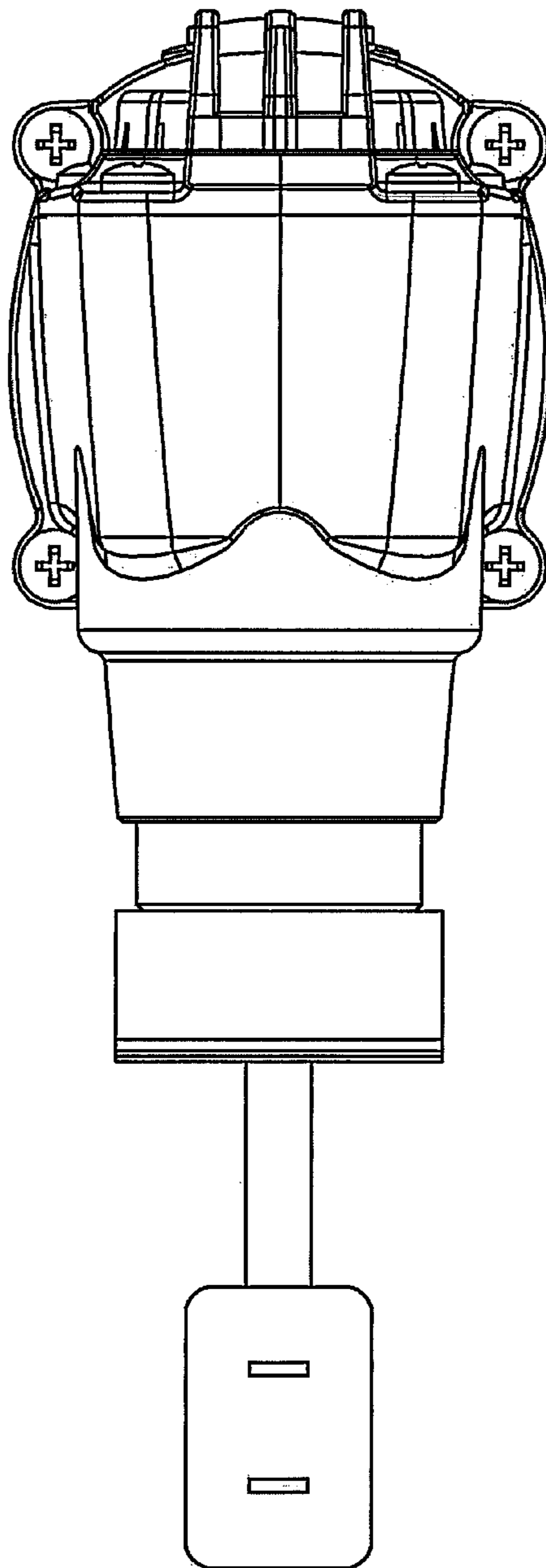


Fig. 3

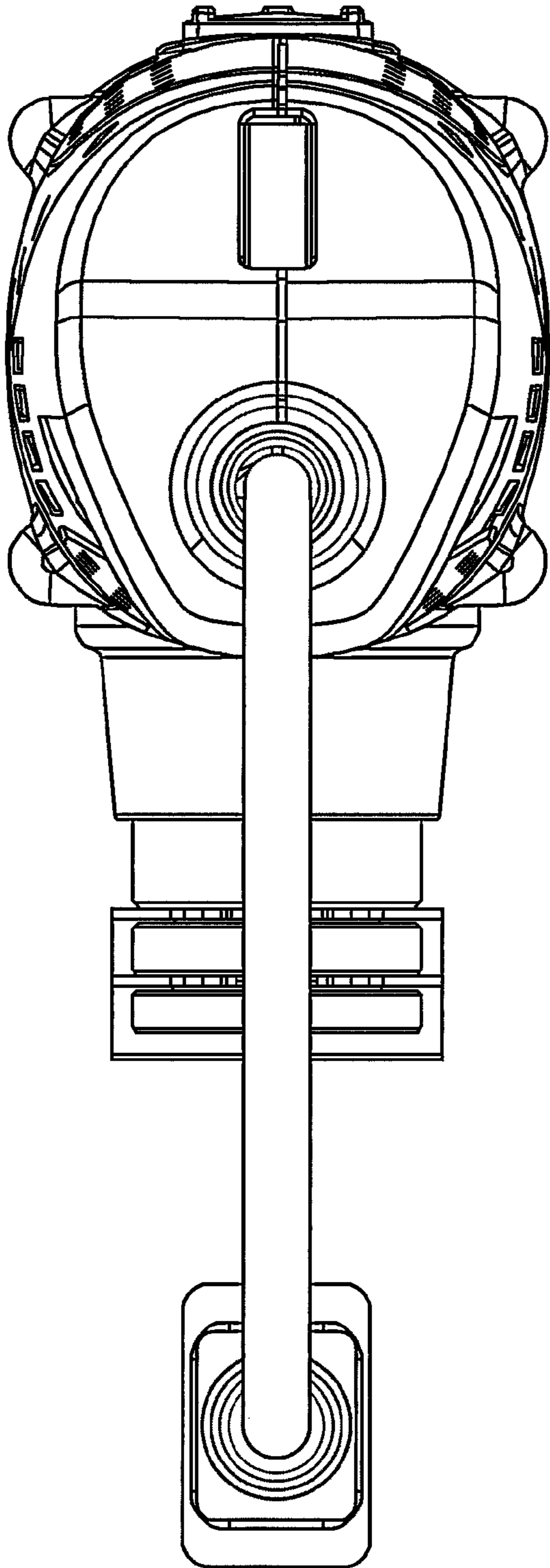


Fig. 4

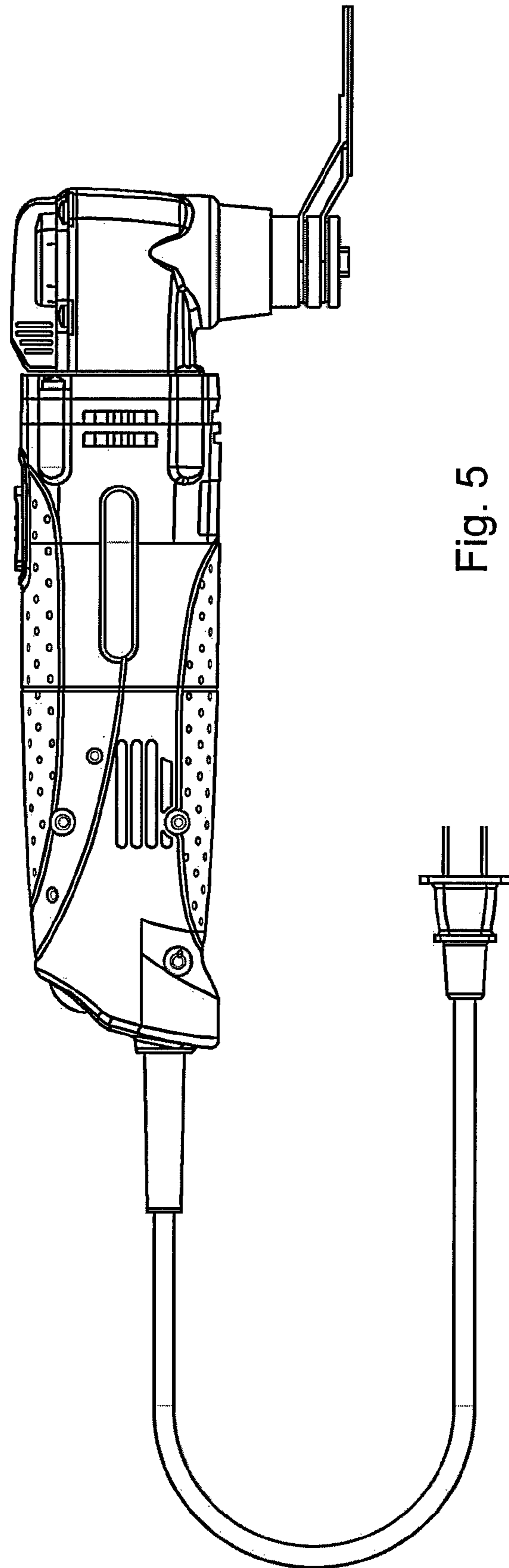


Fig. 5

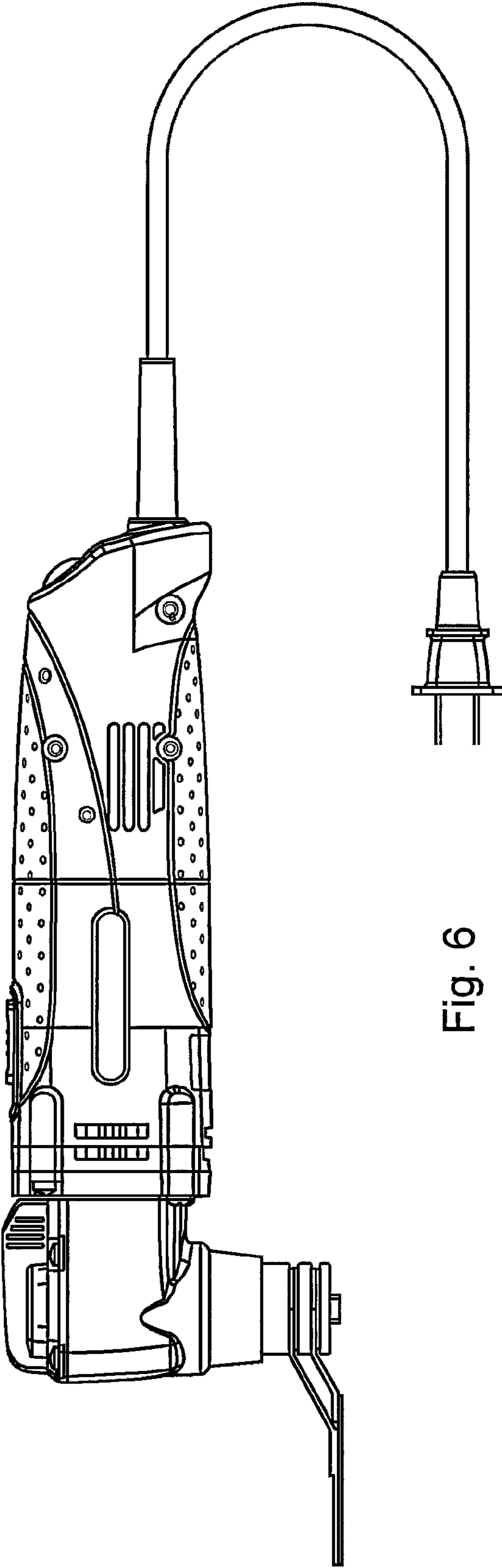


Fig. 6