



US00D705024S

(12) **United States Design Patent**
Masalin et al.

(10) **Patent No.:** **US D705,024 S**

(45) **Date of Patent:** **** May 20, 2014**

- (54) **SAW**
- (75) Inventors: **Petteri Masalin**, Helsinki (FI); **Juha Huhtala**, Karjaa (FI)
- (73) Assignee: **Fiskars Brands Finland Oy AB**, Billnas (FI)
- (**) Term: **14 Years**
- (21) Appl. No.: **29/414,264**
- (22) Filed: **Feb. 27, 2012**
- (30) **Foreign Application Priority Data**

Sep. 1, 2011 (EM) 001910753-0006
 Sep. 1, 2011 (EM) 001910753-0007

- (51) **LOC (10) Cl.** **08-01**
- (52) **U.S. Cl.**
USPC **D8/9; D8/97**
- (58) **Field of Classification Search**
USPC D8/7, 9, 95, 97-99, 107; 7/148; 30/144, 30/166.3, 343, 350, 510, 514, 517-518
See application file for complete search history.

(56) **References Cited**

U.S. PATENT DOCUMENTS

1,748,637 A 2/1930 Crum
 D346,937 S * 5/1994 Backman D8/7
 (Continued)

FOREIGN PATENT DOCUMENTS

DE 30069 68 A1 9/1981
 DE 298137 62 U1 8/1999
 (Continued)

OTHER PUBLICATIONS

Fiskars Xtract Garden Saw. <http://au.fiskars.com/Gardening-Yard-Care/Products/Wood-Branches/Saws/123880-Fiska> . . . Dec. 14, 2013.*

(Continued)

Primary Examiner — Philip S Hyder
Assistant Examiner — Roselynn Cody
 (74) *Attorney, Agent, or Firm* — Foley & Lardner LLP

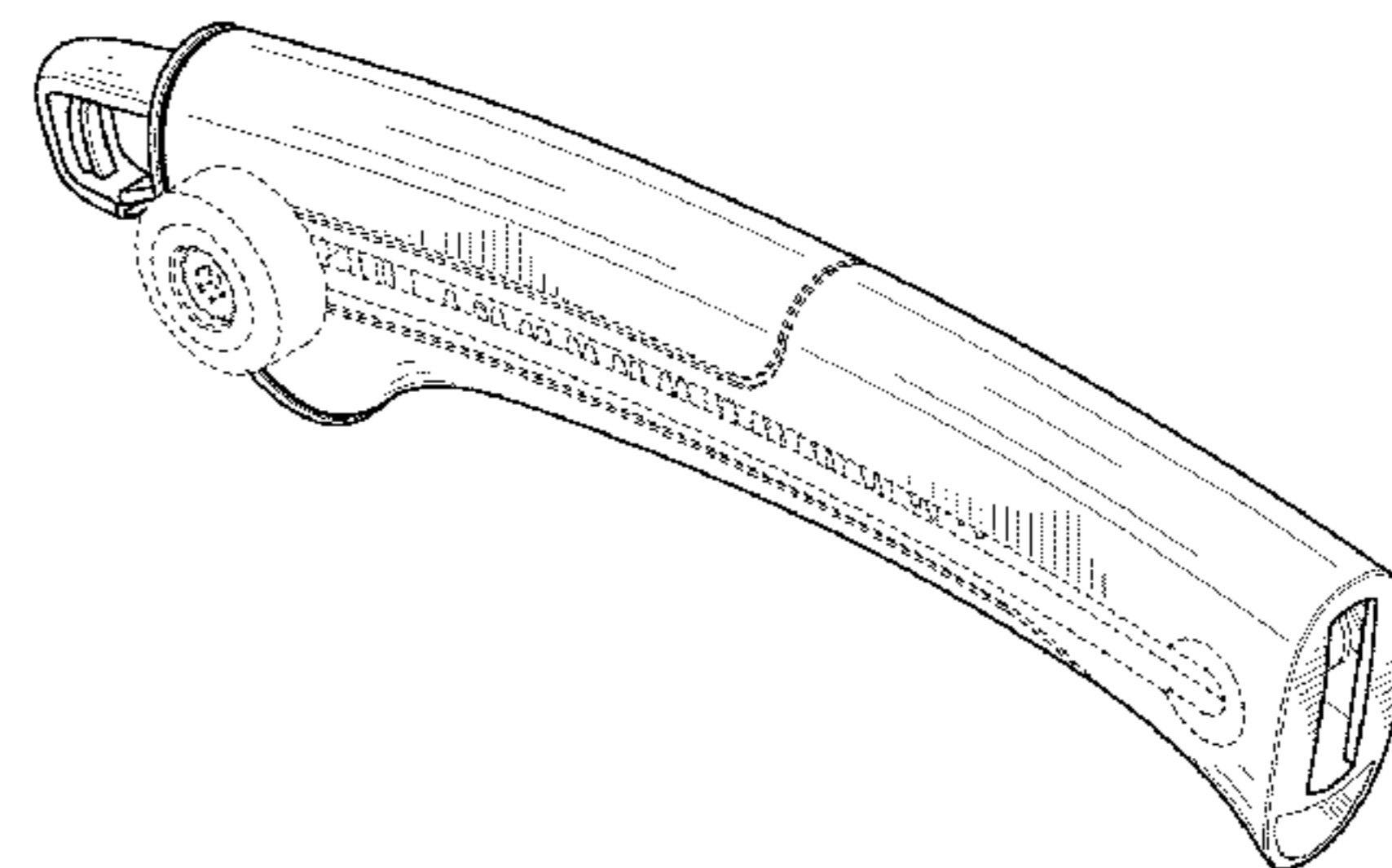
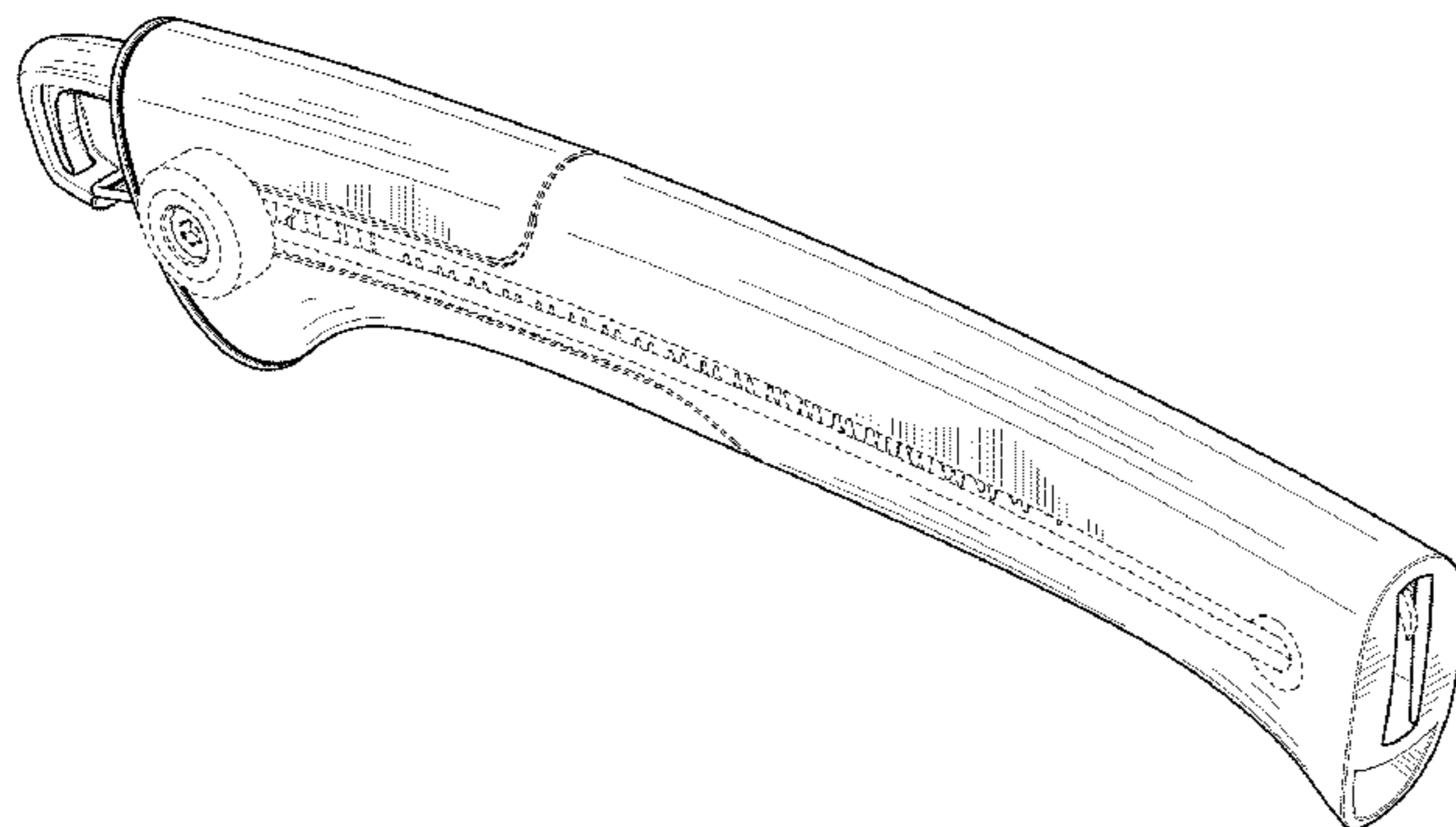
(57) **CLAIM**

We claim the ornamental design for a saw, as shown and described.

DESCRIPTION

FIG. 1 is a perspective view of an embodiment of the claimed design;
 FIG. 2 is a left side view of the claimed design of FIG. 1;
 FIG. 3 is a right side view of the claimed design of FIG. 1;
 FIG. 4 is a rear view of the claimed design of FIG. 1;
 FIG. 5 is a front view of the claimed design of FIG. 1 in a retracted position;
 FIG. 6 is a front view of the claimed design of FIG. 1 in an extended position;
 FIG. 7 is a top view of the claimed design of FIG. 1;
 FIG. 8 is a bottom view of the claimed design of FIG. 1;
 FIG. 9 is a perspective view of another embodiment of the claimed design;
 FIG. 10 is a left side view of the claimed design of FIG. 9;
 FIG. 11 is a right side view of the claimed design of FIG. 9;
 FIG. 12 is a rear view of the claimed design of FIG. 9;
 FIG. 13 is a front view of the claimed design of FIG. 9 in a retracted position;
 FIG. 14 is a front view of the claimed design of FIG. 9 in an extended position;
 FIG. 15 is a top view of the claimed design of FIG. 9; and,
 FIG. 16 is a bottom view of the claimed design of FIG. 9.
 The broken lines in the drawings are for illustrative purposes only and form no part of the claimed design.

1 Claim, 7 Drawing Sheets



(56)

References Cited

U.S. PATENT DOCUMENTS

D357,166 S 4/1995 Concari
5,450,670 A * 9/1995 Sakai 30/298.4
5,765,289 A 6/1998 Schulz et al.
5,822,867 A 10/1998 Sakai
D400,421 S * 11/1998 Okada D8/97
5,848,473 A 12/1998 Brandenburg, Jr.
5,926,962 A * 7/1999 Chen 30/519
D414,670 S 10/1999 Linden
D444,685 S 7/2001 Shenkel et al.
D445,663 S * 7/2001 Chen D8/107
D464,861 S * 10/2002 Chen D8/97
D472,786 S 4/2003 Cech et al.
D500,240 S 12/2004 Fancelli
D500,656 S 1/2005 Fancelli
D533,760 S * 12/2006 Kelleghan D8/107
D538,138 S * 3/2007 Knight D8/356

D563,782 S * 3/2008 Benson et al. D9/436
D581,766 S * 12/2008 Heneen et al. D8/107
D637,882 S * 5/2011 Bloch D8/95
2006/0265883 A1 11/2006 Di Paolo

FOREIGN PATENT DOCUMENTS

EP 3 969 38 A1 11/1990
FR 2732919 A1 10/1996

OTHER PUBLICATIONS

U.S. Appl. No. 29/388,574, filed Mar. 30, 2011, Block et al.
Fiskars Garden and Camping Saw with belt clip, Wood Preparation Products, Fiskars UK, date retrieved May 18, 2012, 1 page.
European Search Report for Application No. 12182146.6-2313, dated Nov. 20, 2012, 5 pages.

* cited by examiner

FIGURE 1

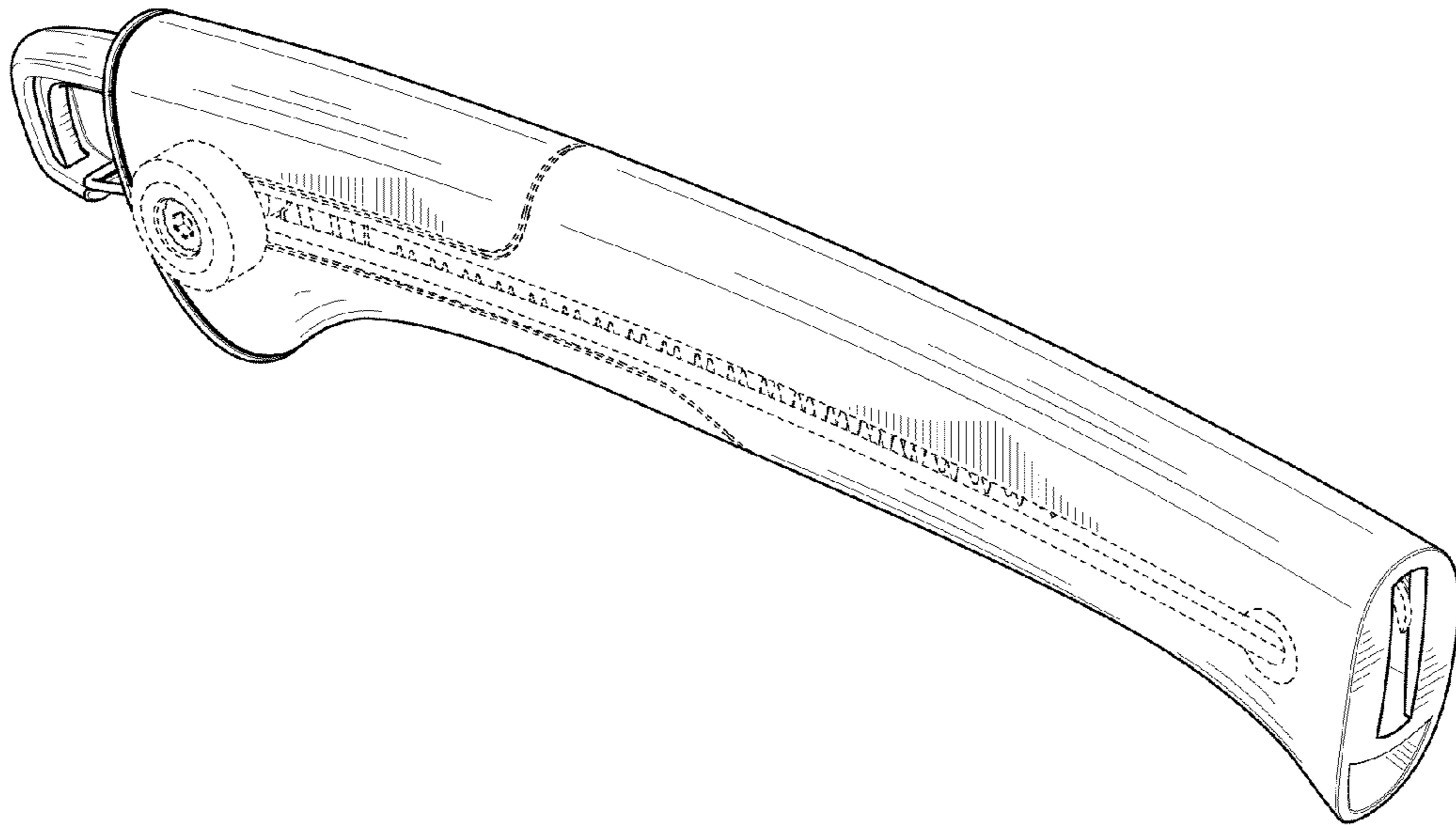


FIGURE 2

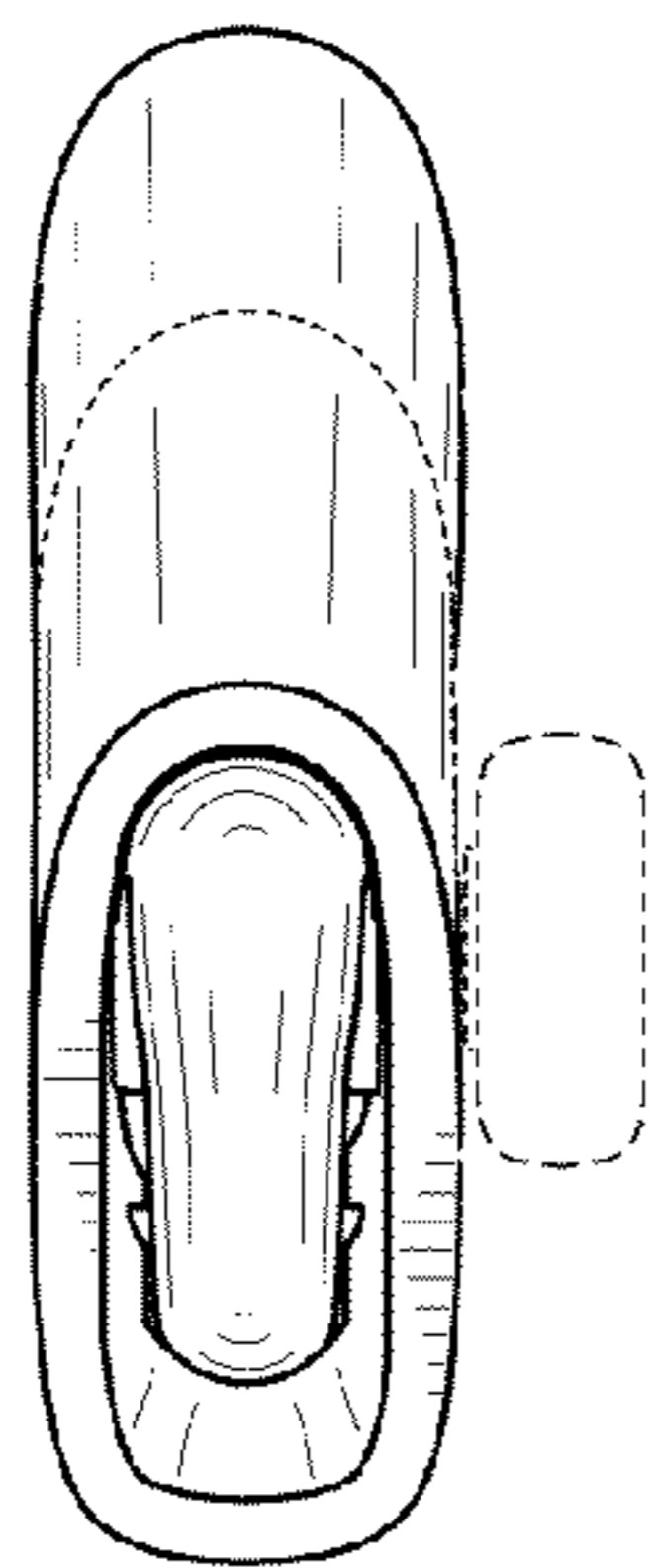


FIGURE 3

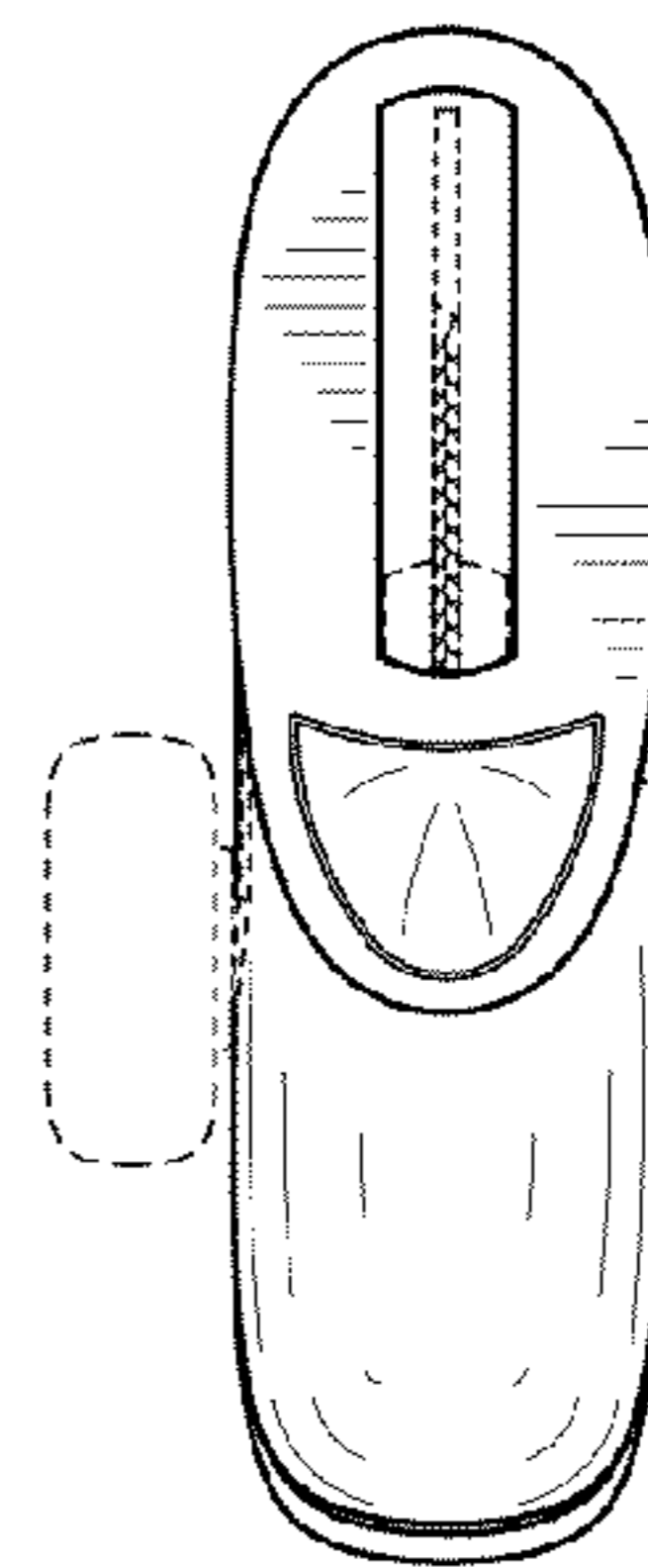


FIGURE 4

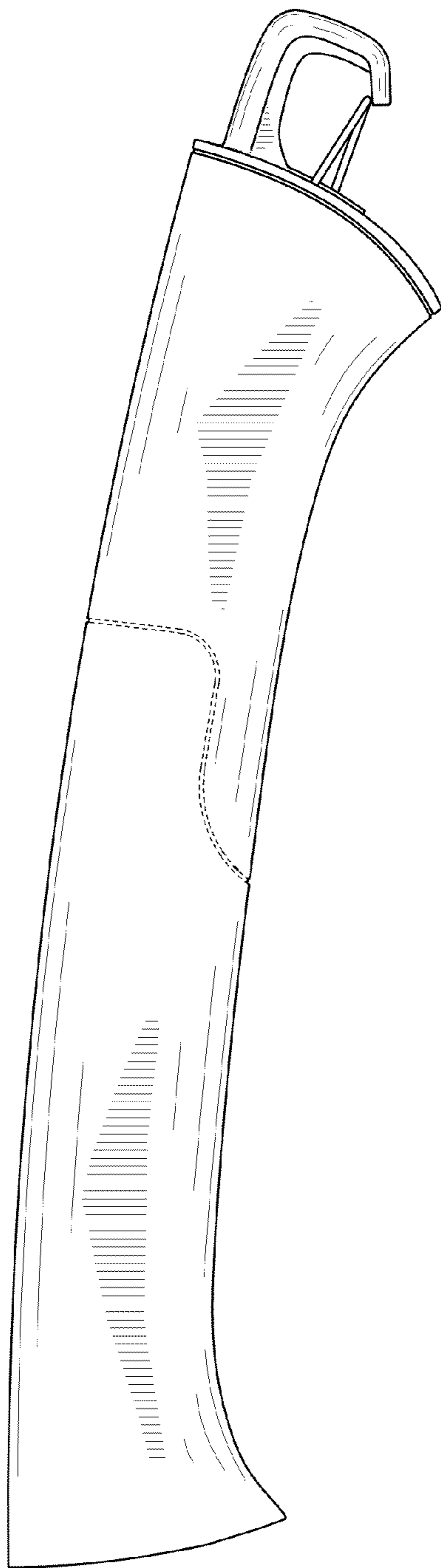


FIGURE 5

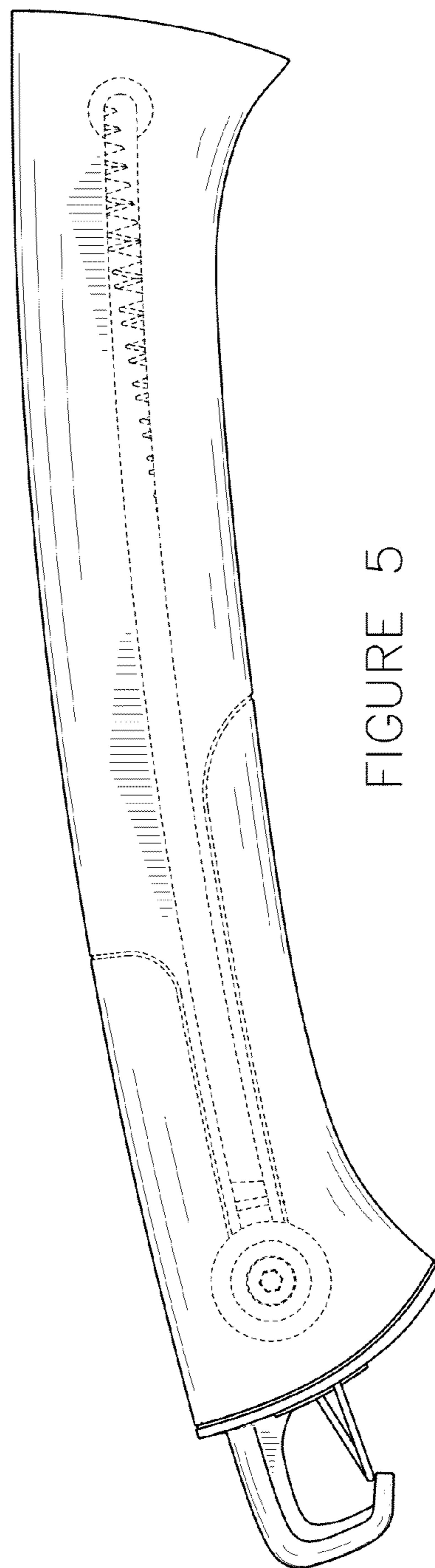


FIGURE 6

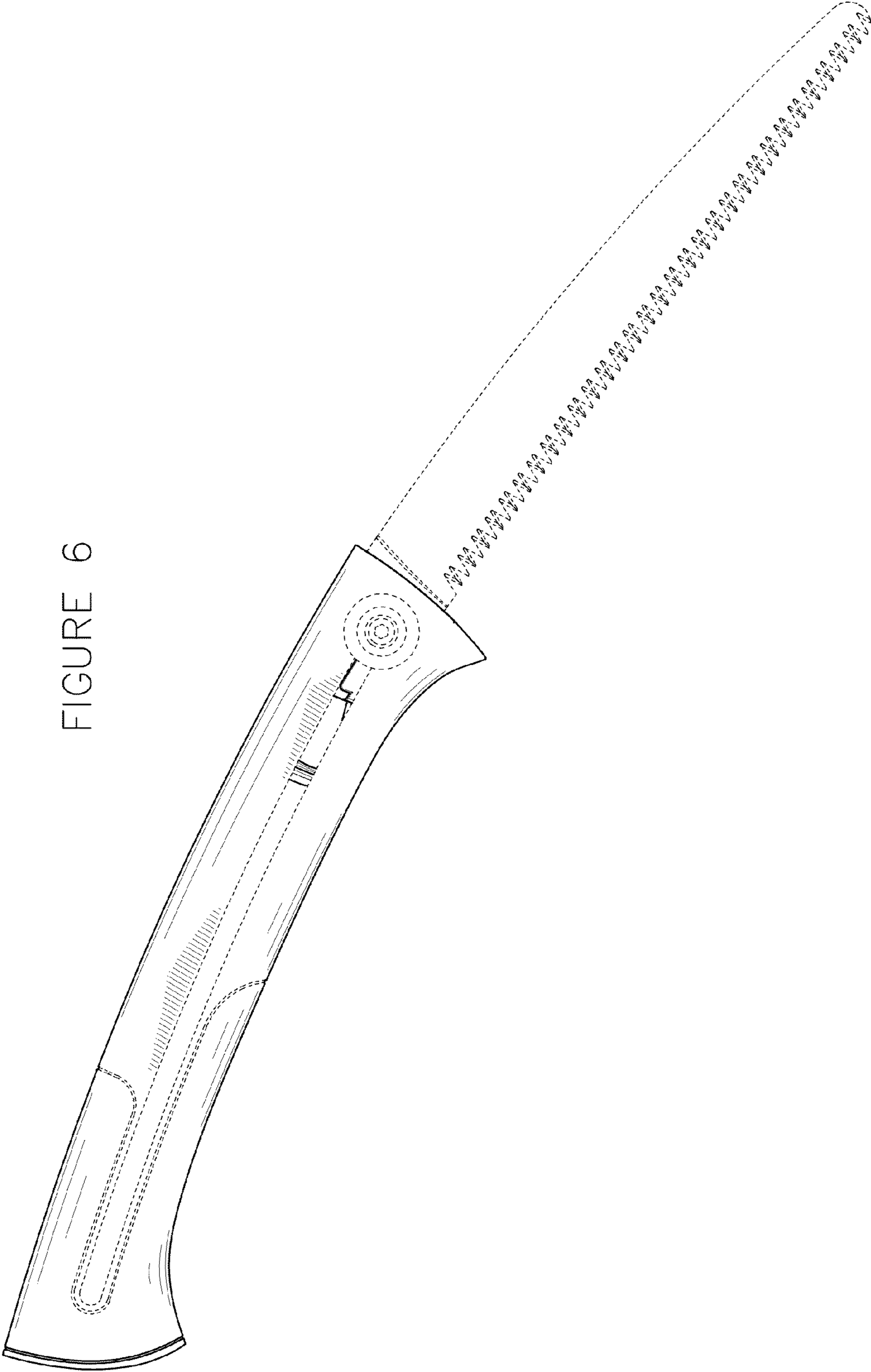


FIGURE 7

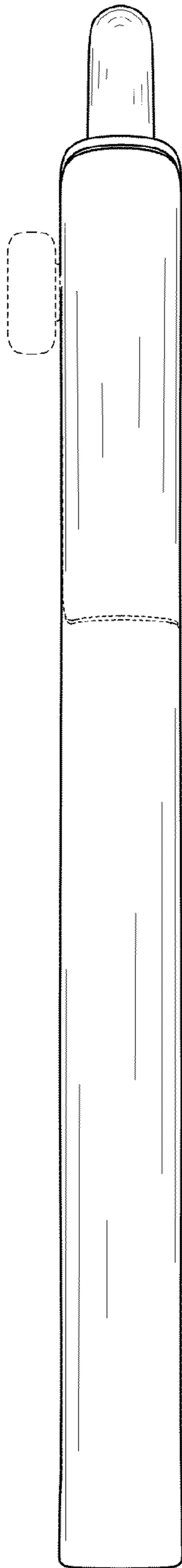
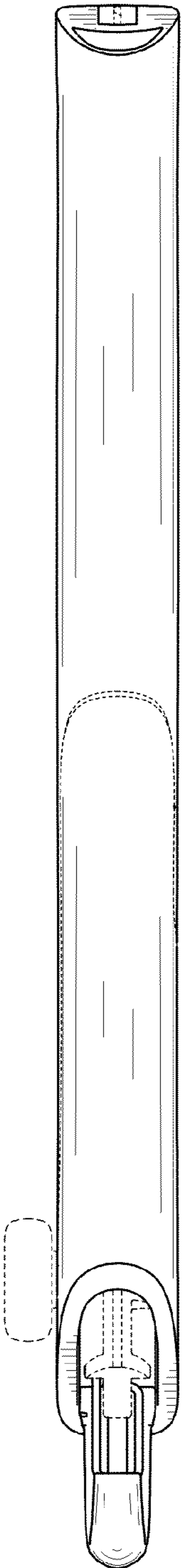


FIGURE 8



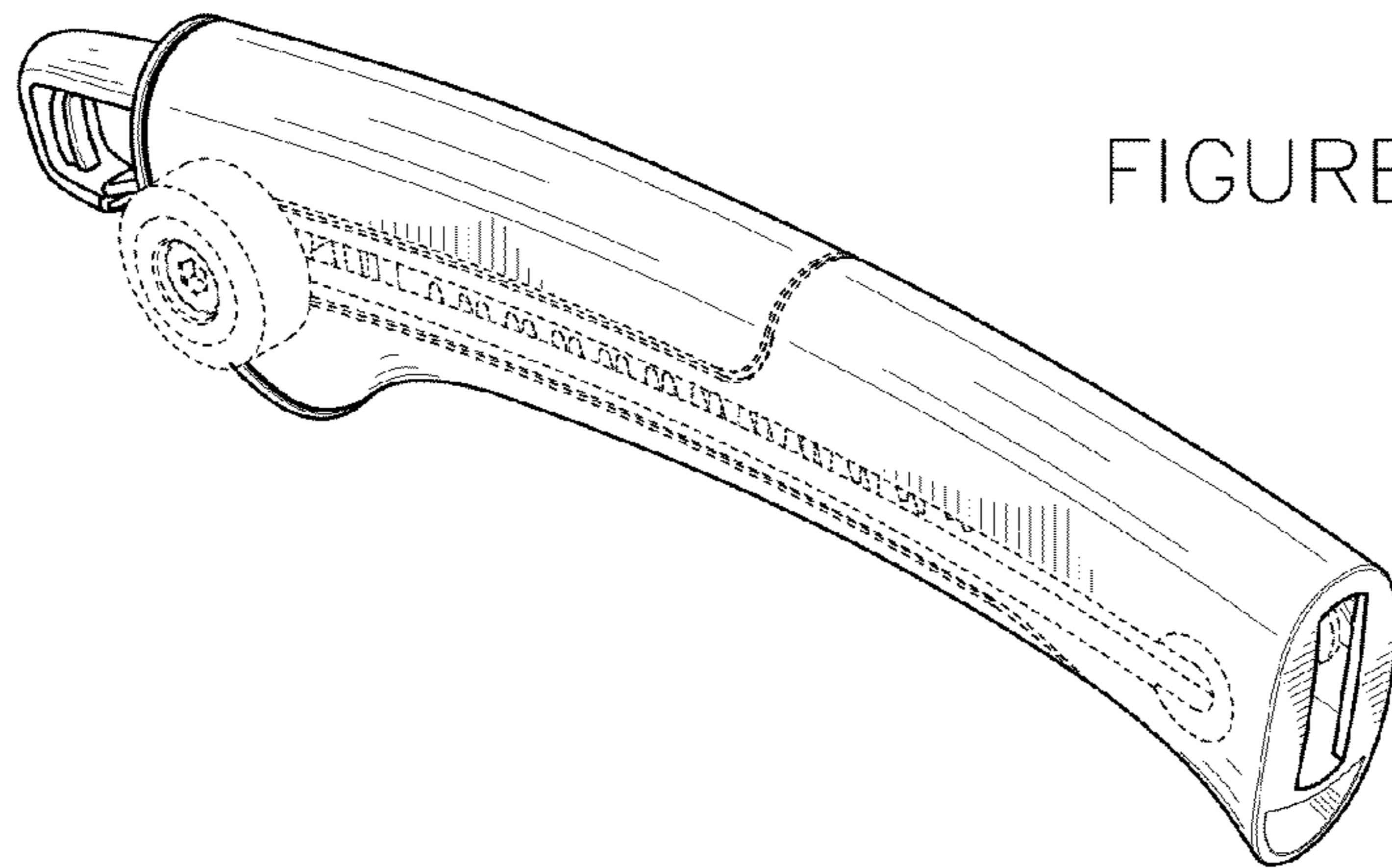


FIGURE 9

FIGURE 10

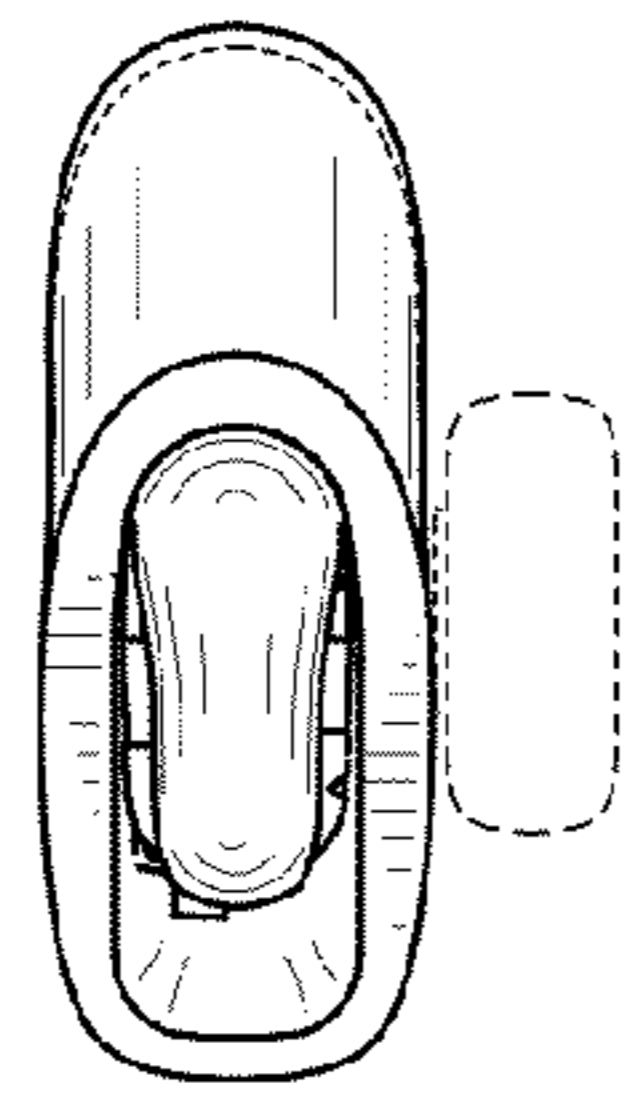


FIGURE 11

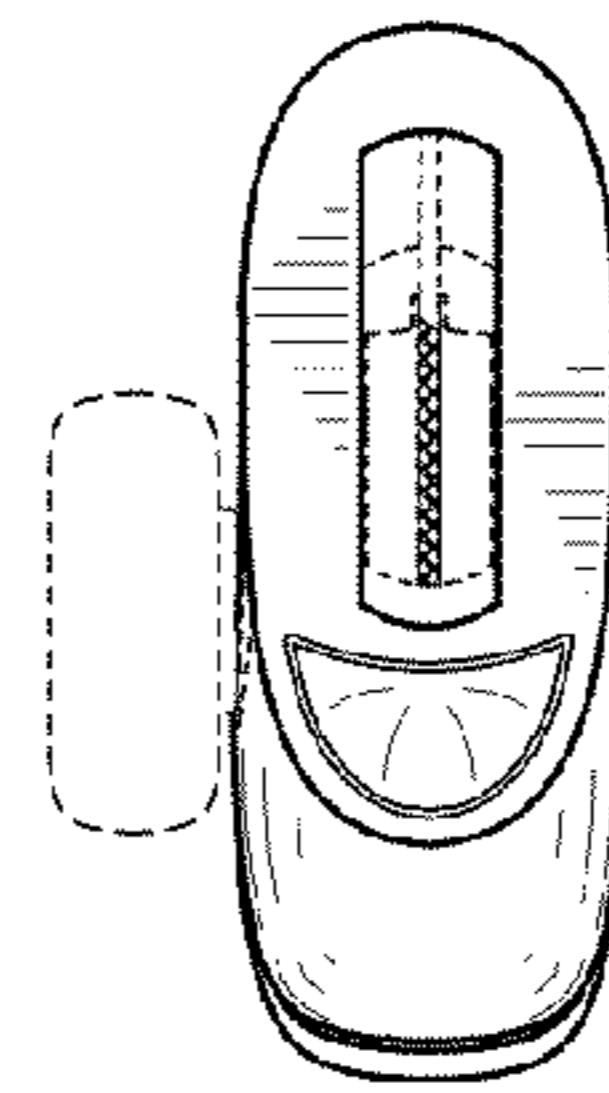


FIGURE 12

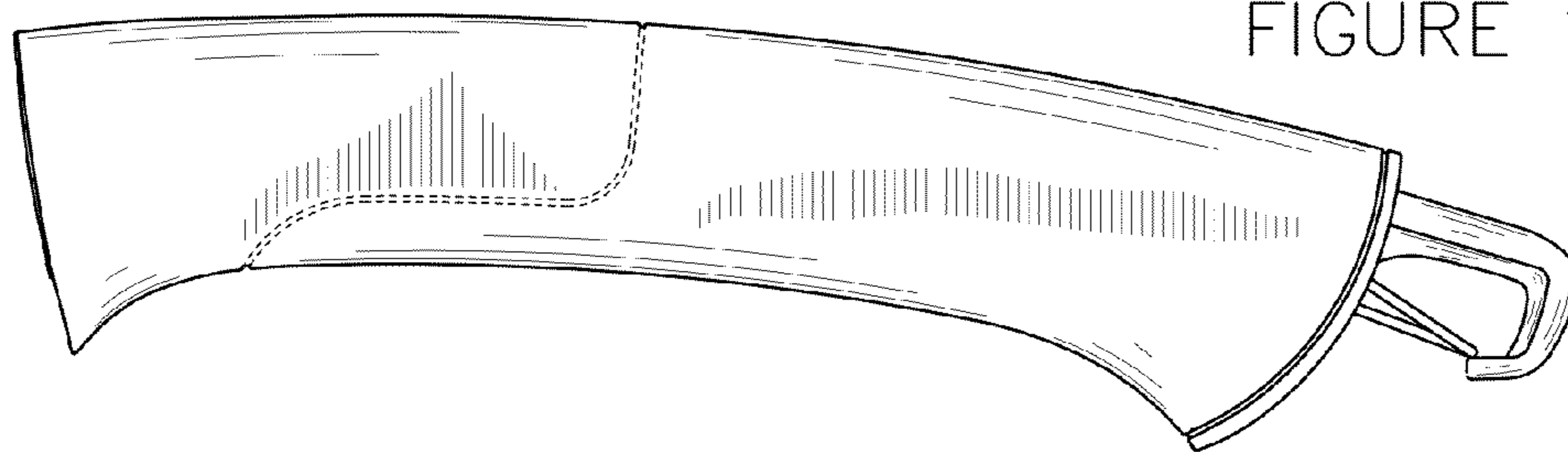


FIGURE 13

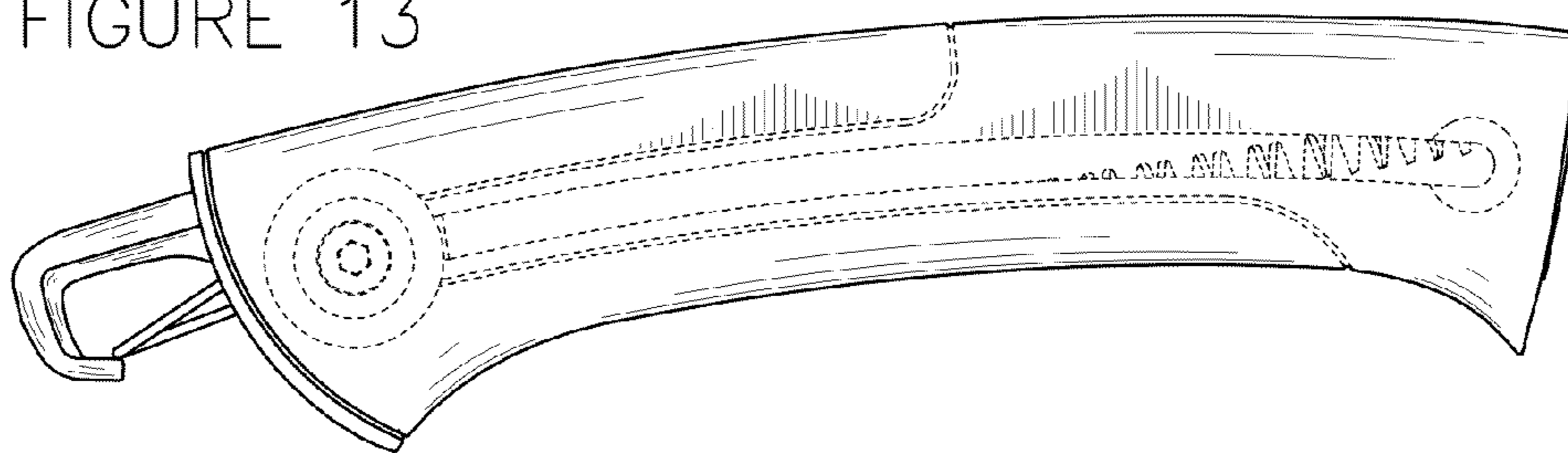


FIGURE 14

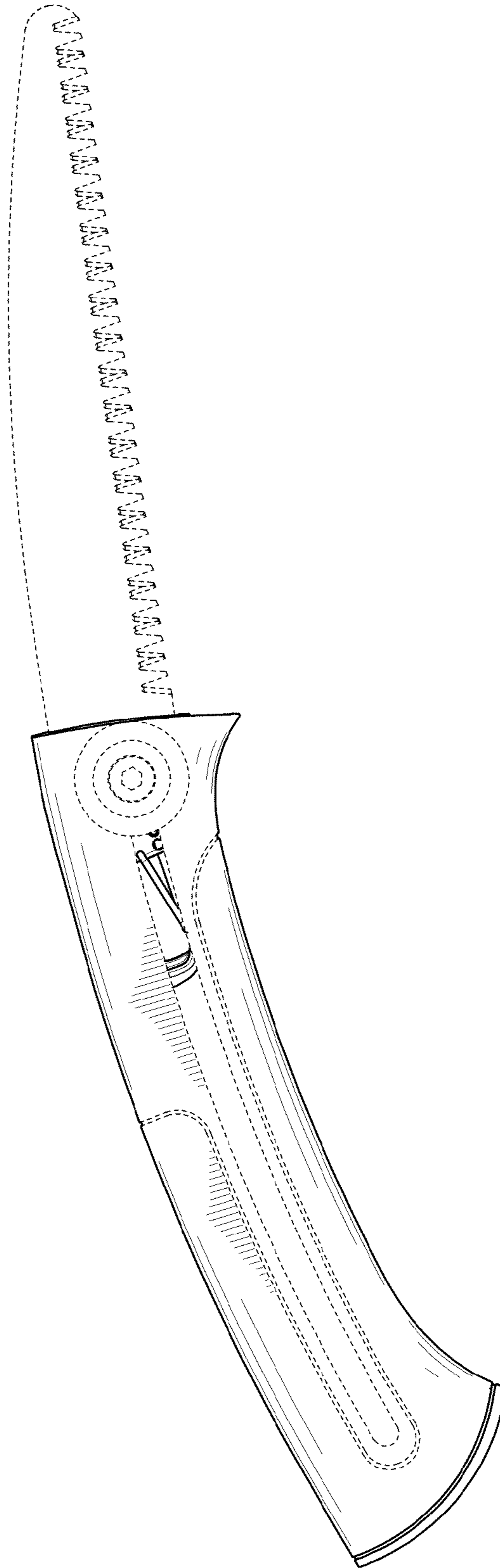


FIGURE 15

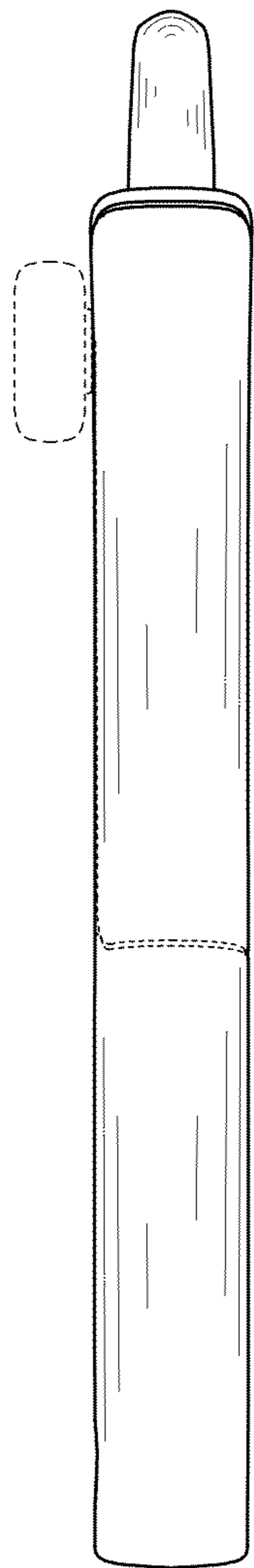


FIGURE 16

