



US00D705023S

(12) **United States Design Patent**
Chen

(10) **Patent No.:** **US D705,023 S**

(45) **Date of Patent:** **** May 20, 2014**

(54) **PRUNING SHEARS**

(71) Applicant: **Yi-Hsun Chen**, Taichung (TW)

(72) Inventor: **Yi-Hsun Chen**, Taichung (TW)

(**) Term: **14 Years**

(21) Appl. No.: **29/443,702**

(22) Filed: **Jan. 22, 2013**

(51) **LOC (10) Cl.** **08-01**

(52) **U.S. Cl.**
USPC **D8/5**

(58) **Field of Classification Search**

CPC A01G 3/02; A01G 3/025; A01G 3/06;
A01G 3/065; A01G 3/08; B26B 13/00
USPC D8/4, 5; 30/251-252, 261-262, 266,
30/287, 131, 135

See application file for complete search history.

(56) **References Cited**

U.S. PATENT DOCUMENTS

D266,478 S * 10/1982 Bladen D8/5
5,699,617 A * 12/1997 Mock 30/252
D427,859 S * 7/2000 Deville D8/5
D431,761 S * 10/2000 Deville D8/5

6,189,219 B1 * 2/2001 Mock 30/252
D498,396 S * 11/2004 Overthun et al. D8/5
D555,442 S * 11/2007 Kaposi D8/5
D600,092 S * 9/2009 Peterson et al. D8/107

* cited by examiner

Primary Examiner — Sheryl Lane

(74) *Attorney, Agent, or Firm* — Alan Kamrath; Kamrath IP Lawfirm, P.A.

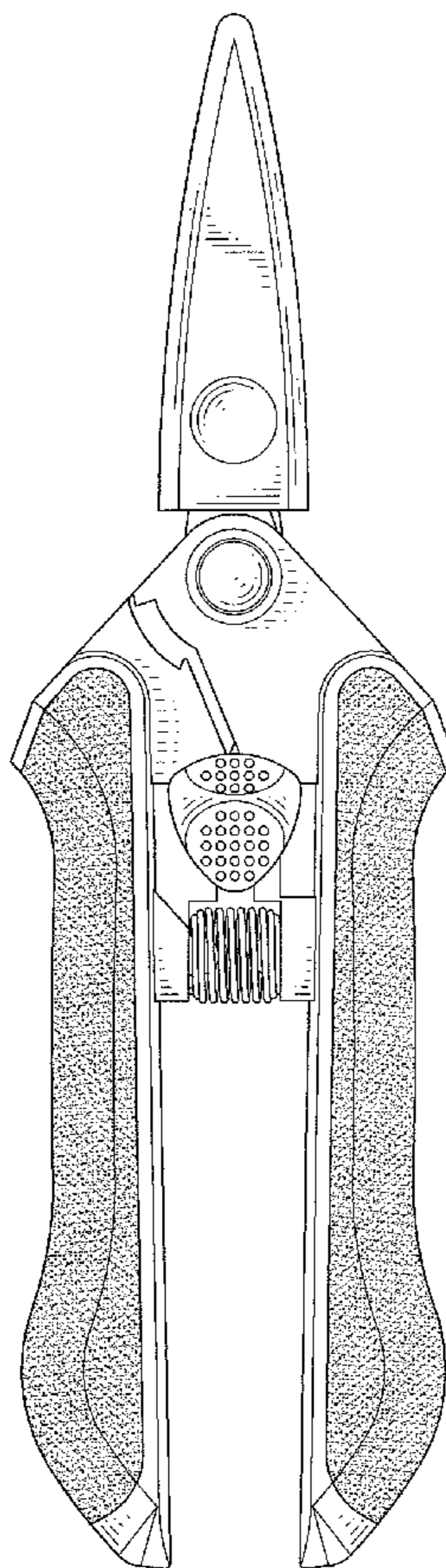
(57) **CLAIM**

The ornamental design for a pruning shears, as shown and described.

DESCRIPTION

FIG. 1 is a perspective view of a pruning shears, showing my new design;
FIG. 2 is a front view thereof;
FIG. 3 is a rear view thereof;
FIG. 4 is a left side view thereof;
FIG. 5 is a right side view thereof;
FIG. 6 is a top view thereof;
FIG. 7 is a bottom view thereof;
FIG. 8 is another perspective view thereof; and,
FIG. 9 is an exploded perspective view thereof, wherein a cover is separated from the blades of the pruning shears.

1 Claim, 6 Drawing Sheets



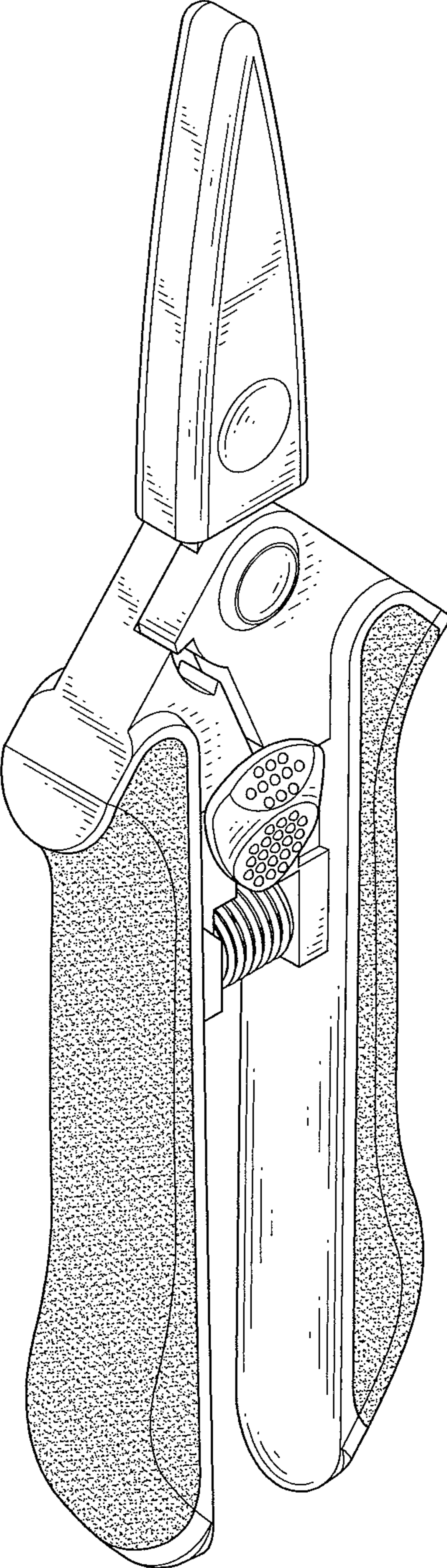


FIG.1

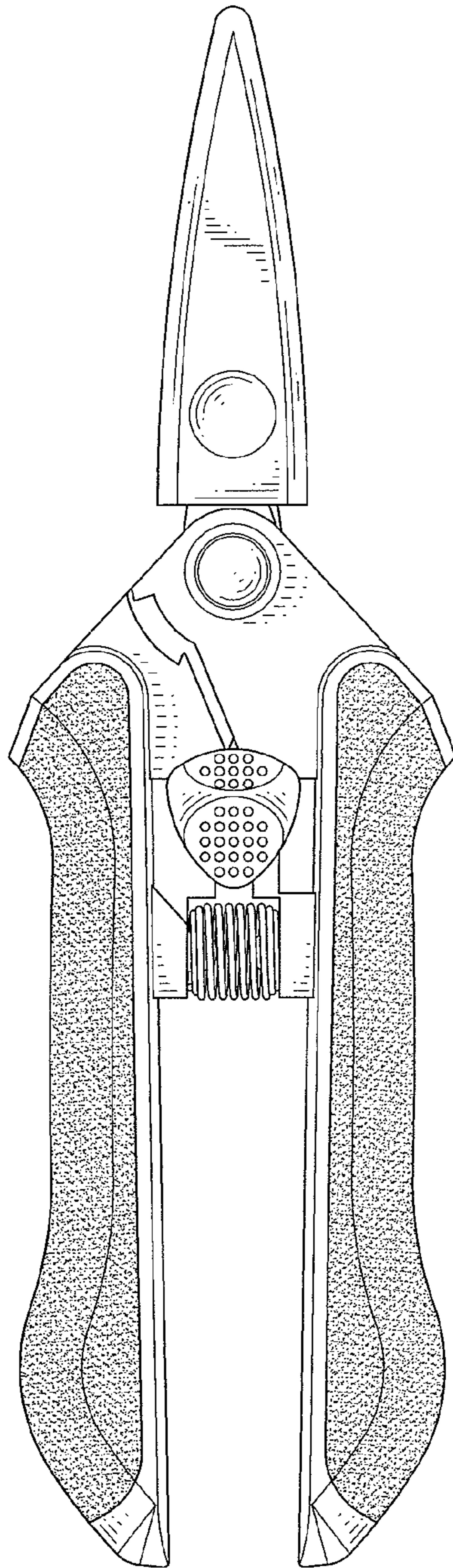


FIG. 2

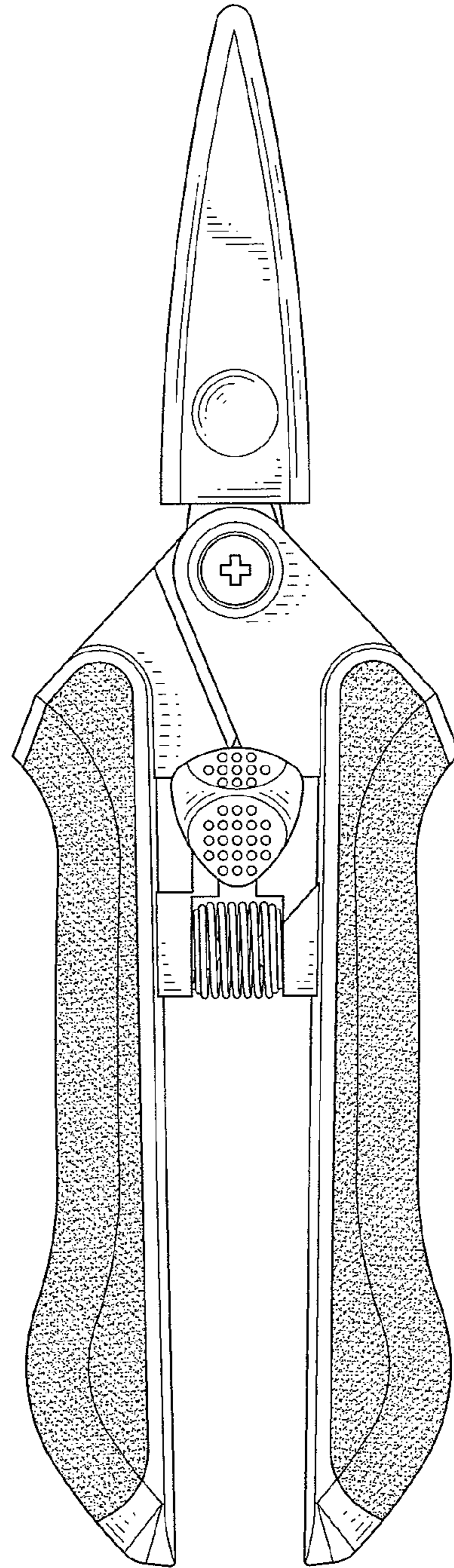


FIG. 3

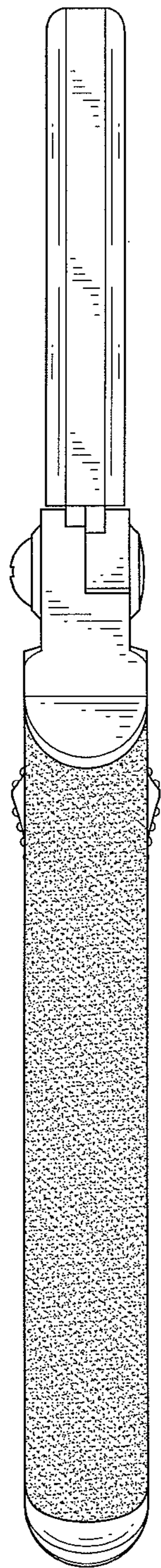


FIG. 4

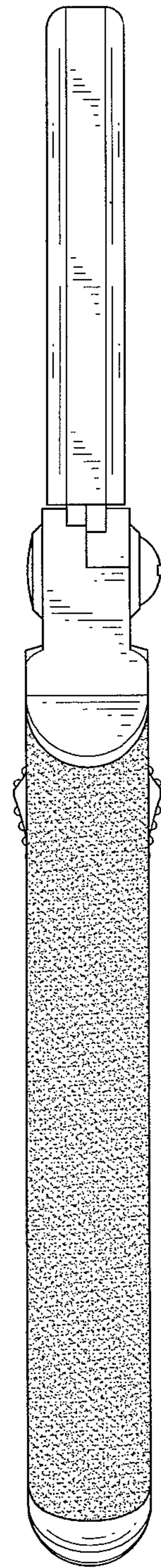


FIG. 5

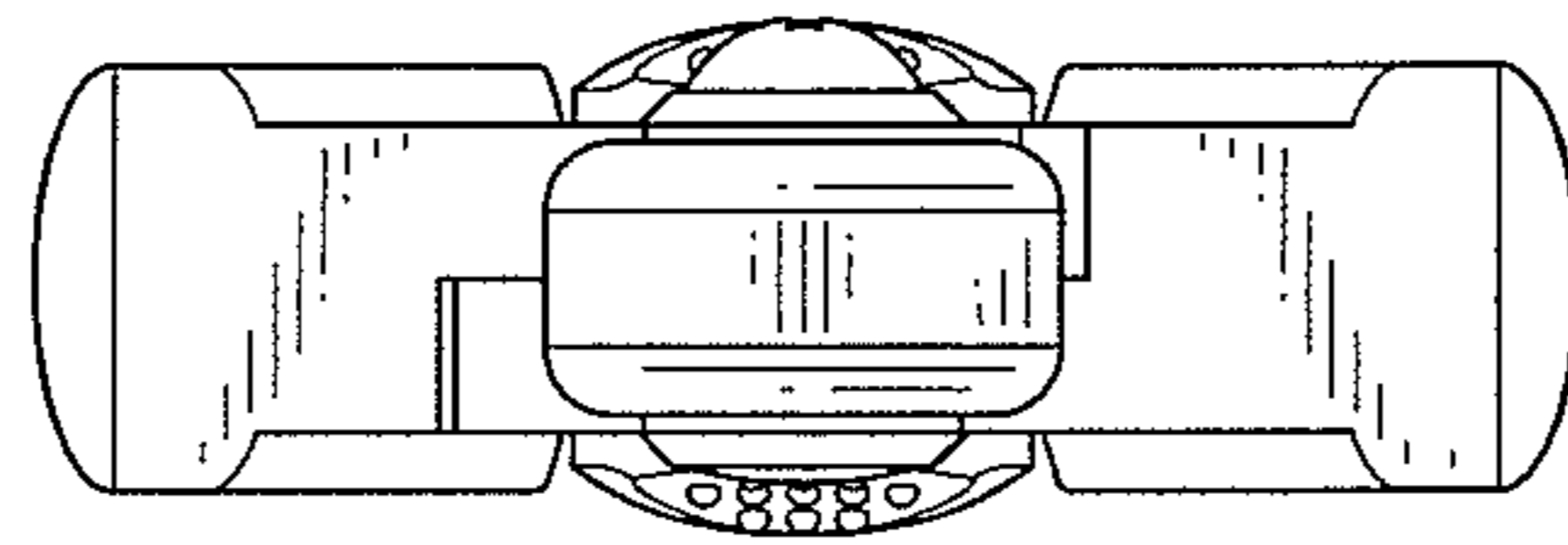


FIG. 6

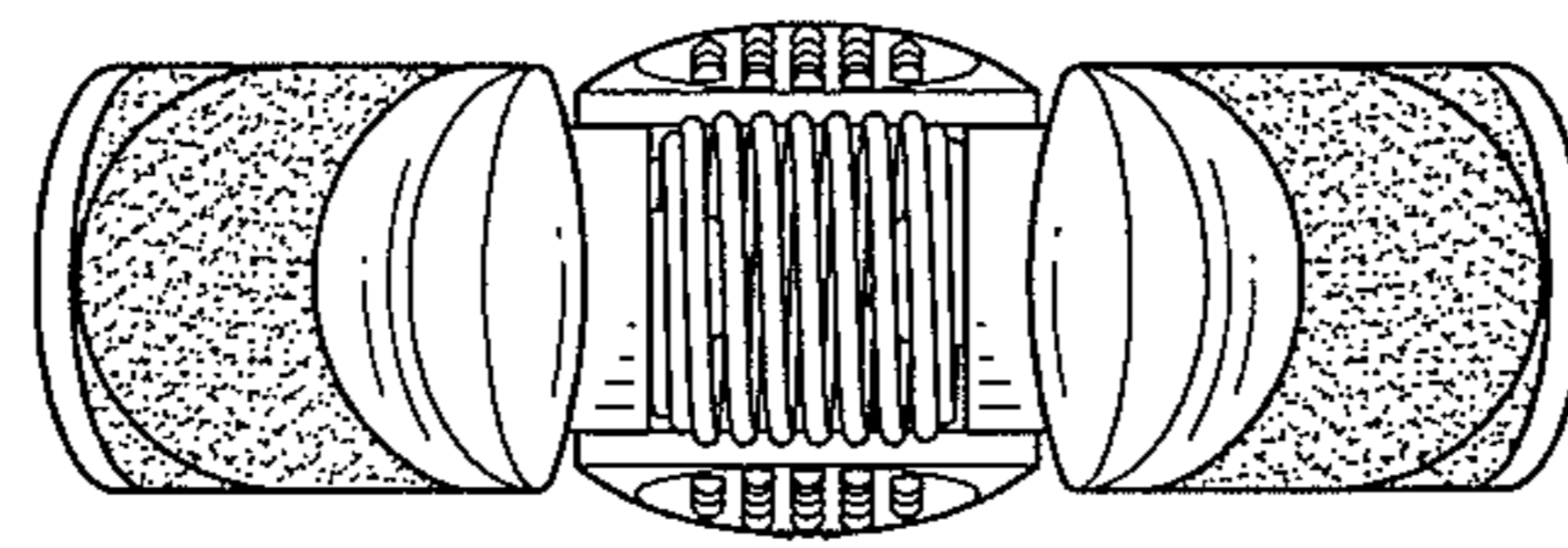


FIG. 7

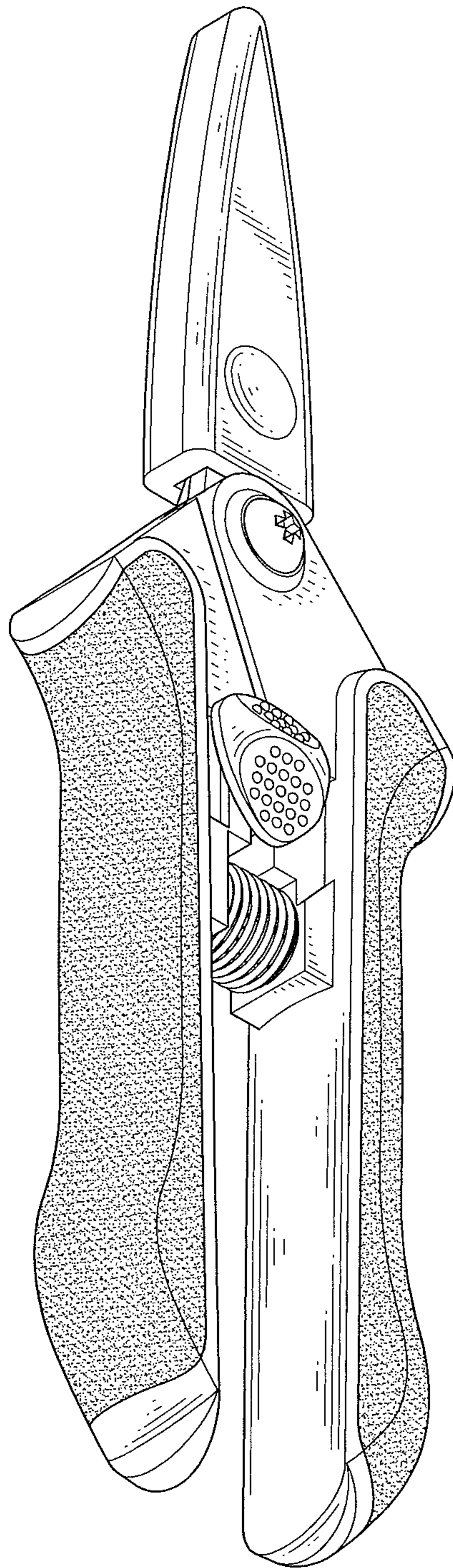


FIG.8

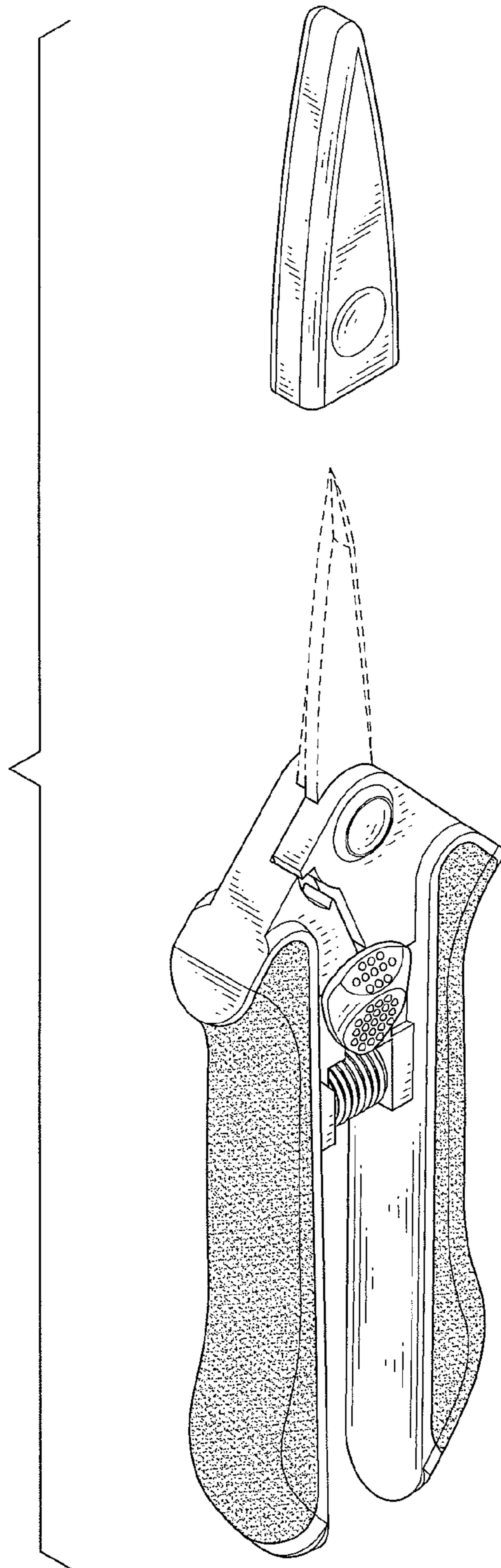


FIG.9